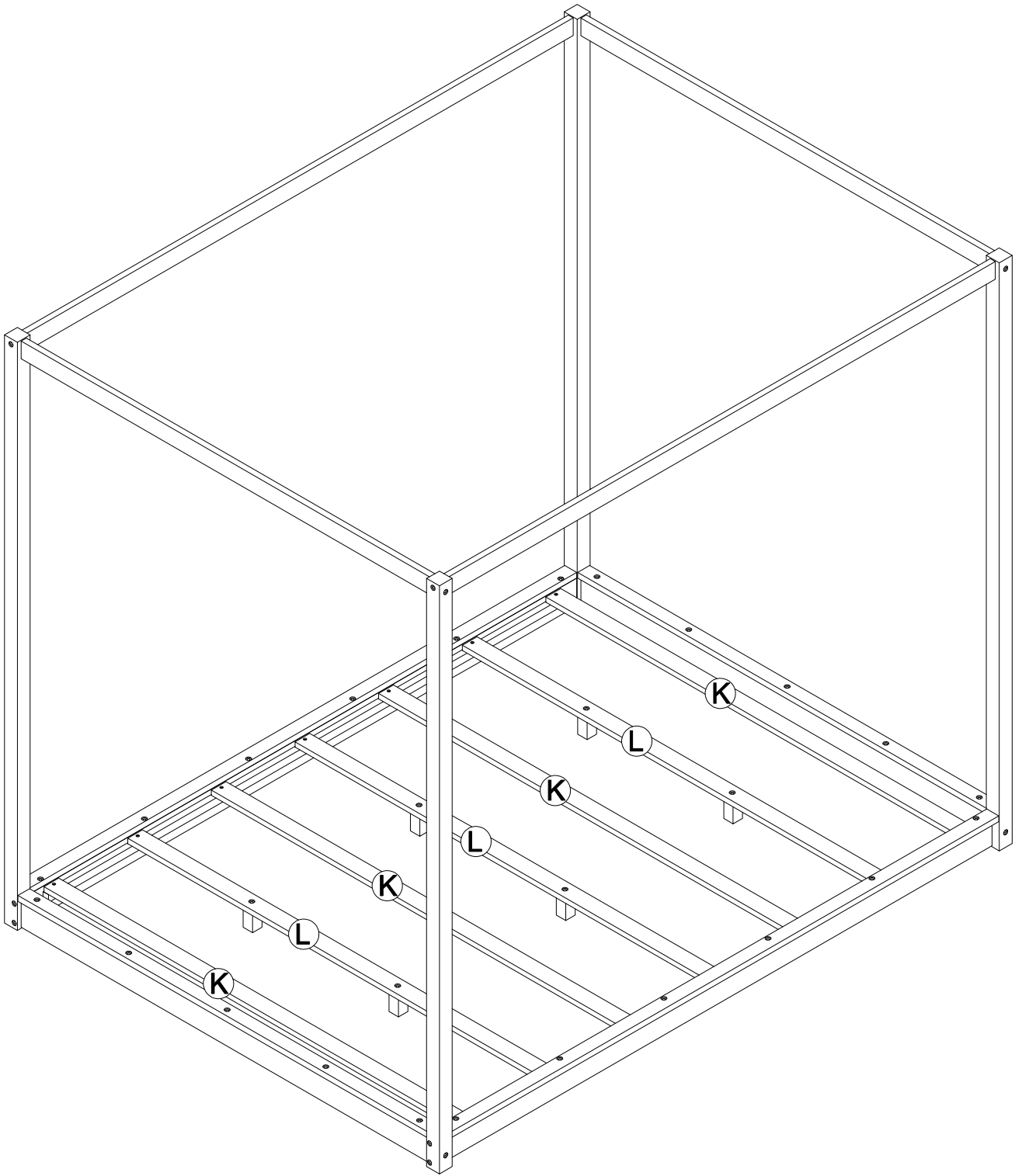


ASSEMBLY INSTRUCTION



SAFETY WARNINGS AND GENERAL NOTES:

Do not use substitute parts. Contact the manufacturer or dealer for replacement

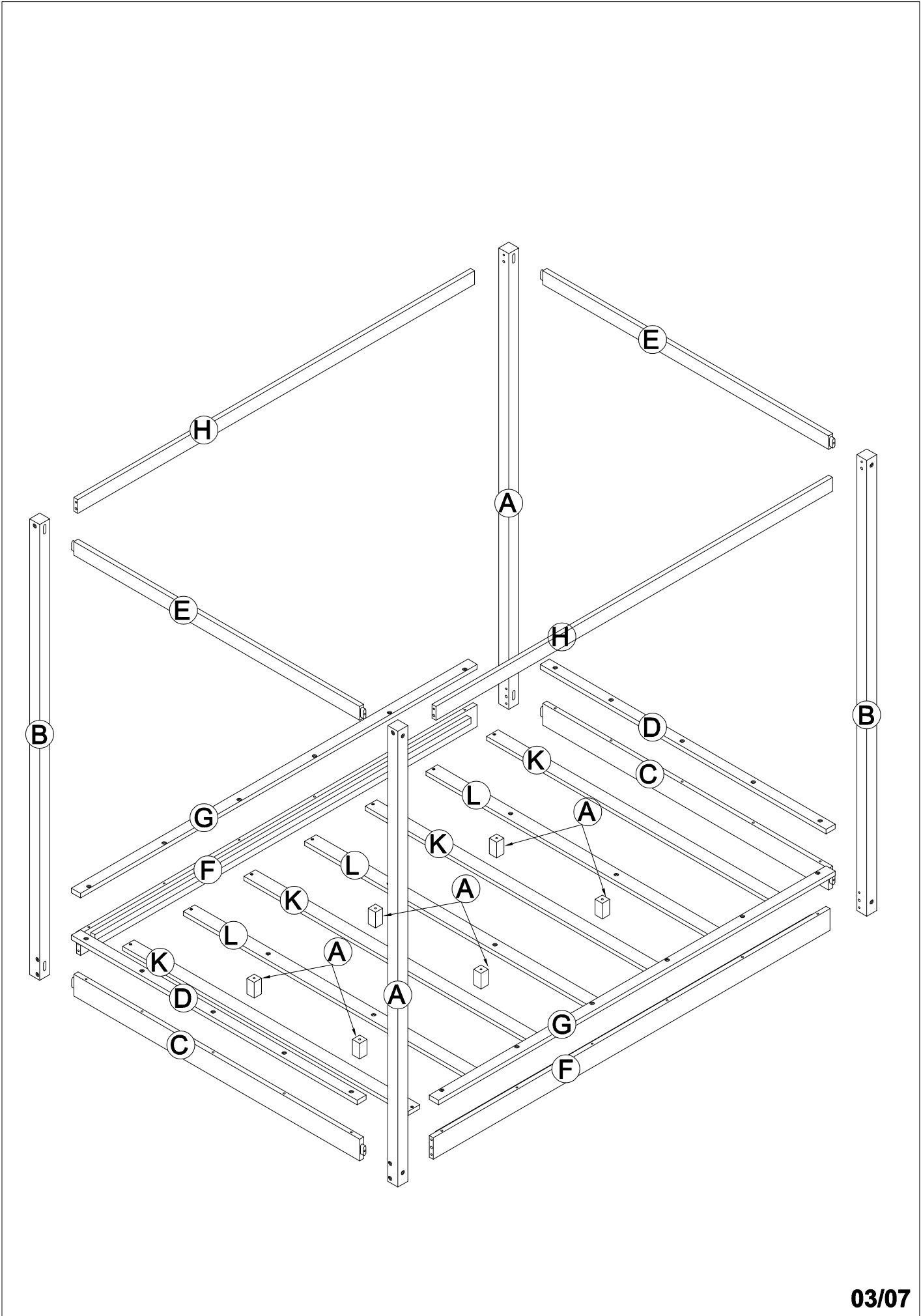
Keep these instructions for future reference.

We recommend assembling your bed on the shipping carton to protect your floor

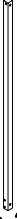

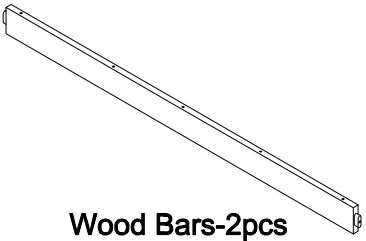
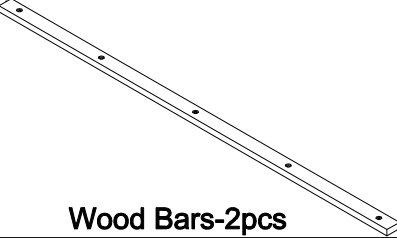
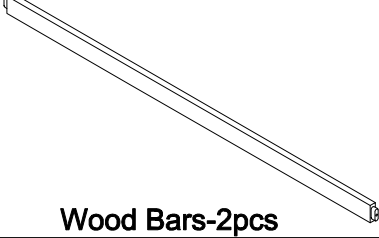
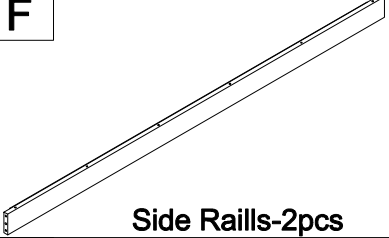
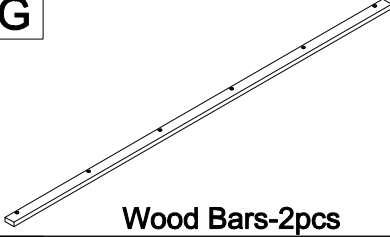
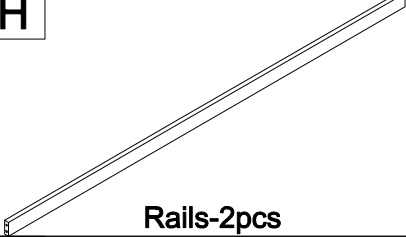
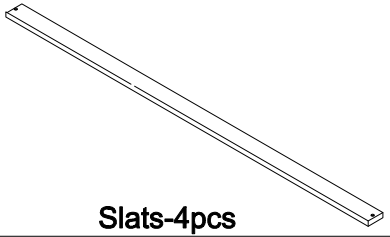
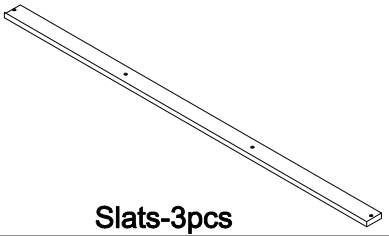
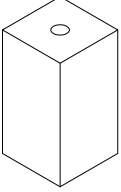
Be certain all staples are out of the box before beginning assembly on the shipping

5.Replacement Parts:


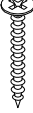
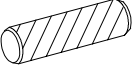
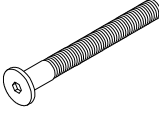



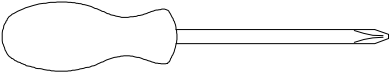
**Replacement Parts, including additional guardrails, may be obtained from any of our
dealers**



Part List & Hardware List

<p>A</p>  <p>Legs-2pcs</p>	<p>B</p>  <p>Legs-2pcs</p>	<p>C</p>  <p>Wood Bars-2pcs</p>
<p>D</p>  <p>Wood Bars-2pcs</p>	<p>E</p>  <p>Wood Bars-2pcs</p>	<p>F</p>  <p>Side Rails-2pcs</p>
<p>G</p>  <p>Wood Bars-2pcs</p>	<p>H</p>  <p>Rails-2pcs</p>	<p>K</p>  <p>Slats-4pcs</p>
<p>L</p>  <p>Slats-3pcs</p>	<p>M</p>  <p>Support Slats-6pcs</p>	



Hardware List

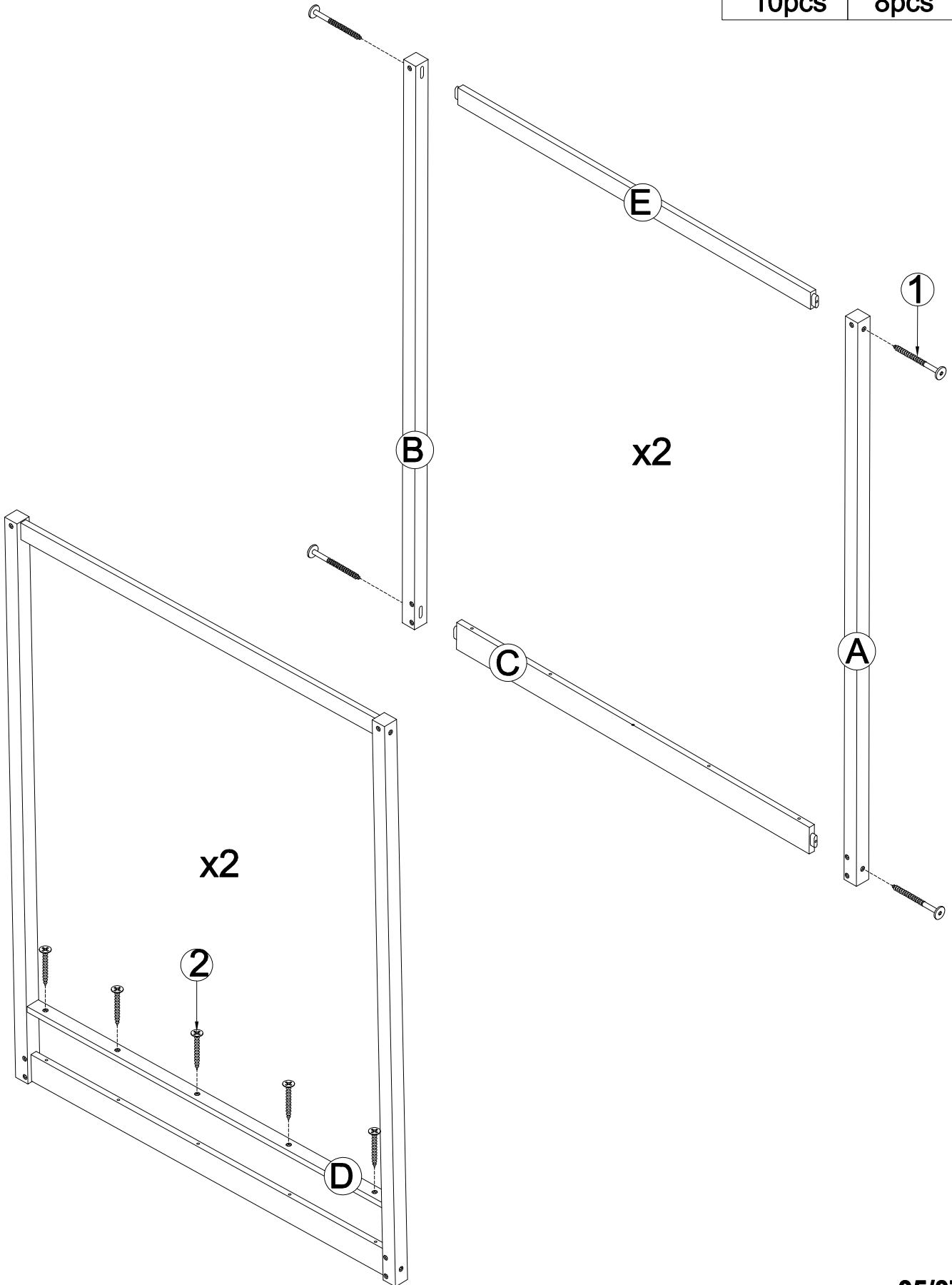
<p>1</p>  <p>Screws 1/4" x70 8pcs</p>	<p>2</p>  <p>M4 x 30 mm Wood Screws 36pcs</p>	<p>3</p>  <p>Ø10 x 40 mm Wood dowel 8pcs</p>
<p>4</p>  <p>Ø1/4" x 90 mm Hex-Head bolts 12pcs</p>	<p>5</p>  <p>Ø1/4" x 13 mm Horizontal-Hole bolts 12pcs</p>	<p>6</p>  <p>Ø1/4" x 30 mm Hex-Head bolts 6pcs</p>
<p>7</p>  <p>Allen Key 1pc</p>	<p>Assembly Tools Required (Not Included)</p> 	

STEP1: Following below illustration Assembly Headboard .

1.1:Using hardware #1 connect A,B Legs With C,E Wood Bars

1.2:Using hardware #2 connect Frame (completed on step 1.1) With D Wood Bar

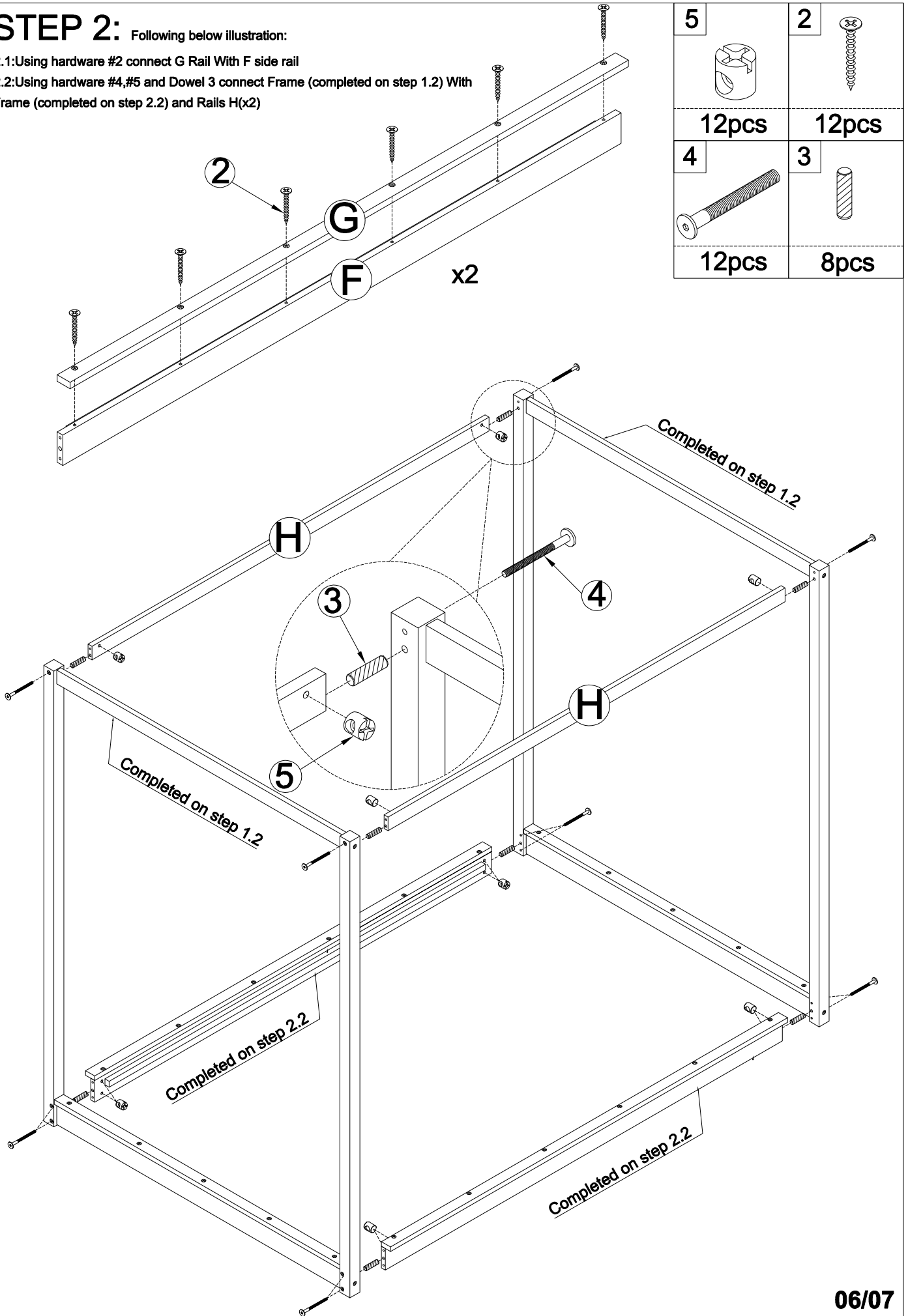
2	1
	
10pcs	8pcs



STEP 2: Following below illustration:

2.1: Using hardware #2 connect G Rail With F side rail

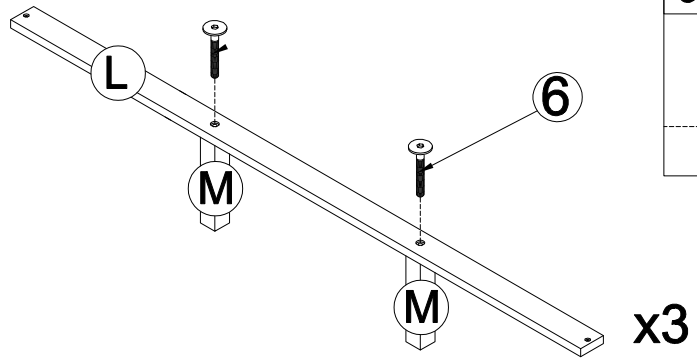
2.2: Using hardware #4, #5 and Dowel 3 connect Frame (completed on step 1.2) With Frame (completed on step 2.2) and Rails H(x2)



STEP 3:

Following below illustration:

-Using hardware #6 connect Slat L With M Support Slat



6

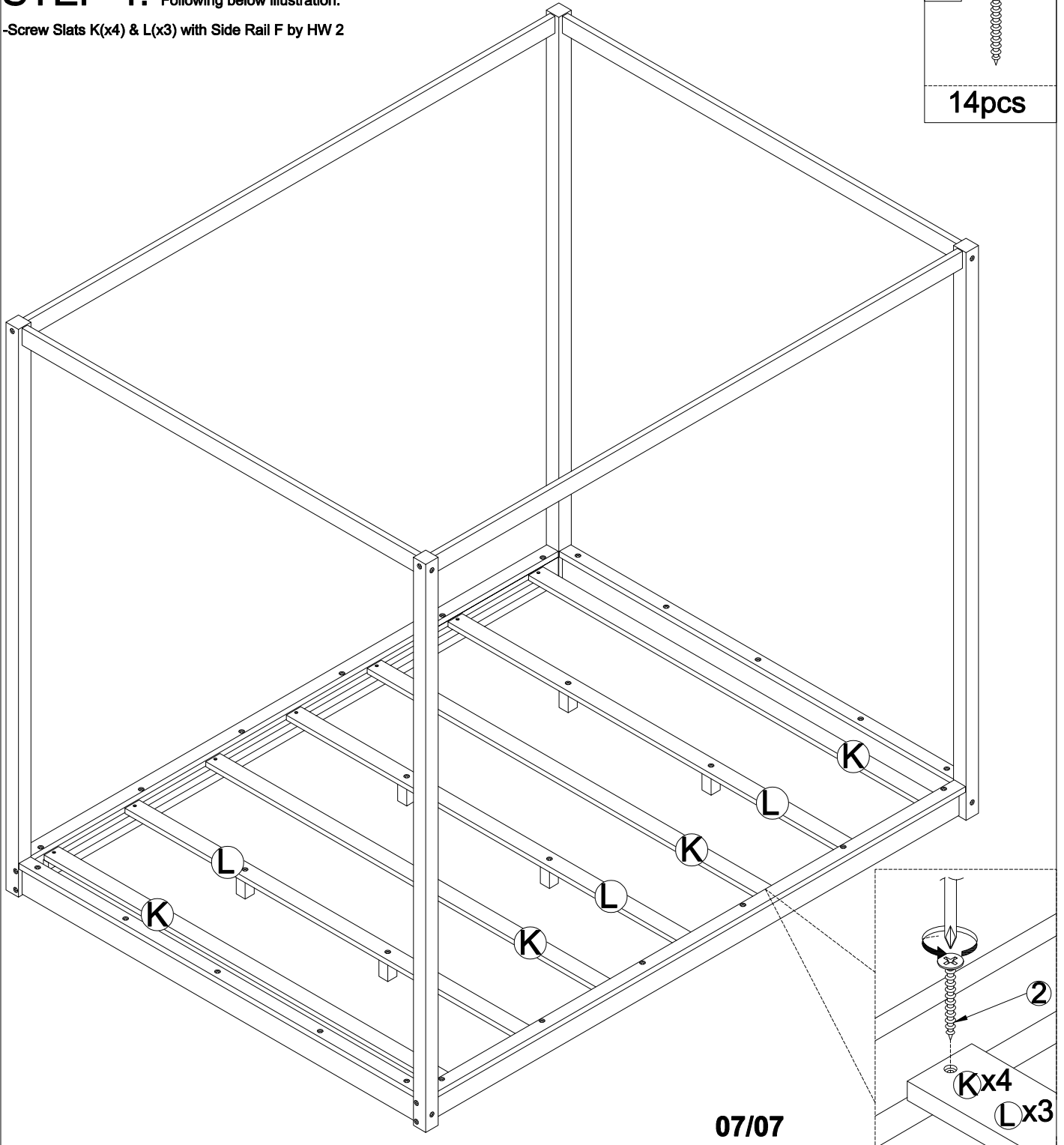


6pcs

STEP 4:

Following below illustration:

-Screw Slats K(x4) & L(x3) with Side Rail F by HW 2



2



14pcs

07/07