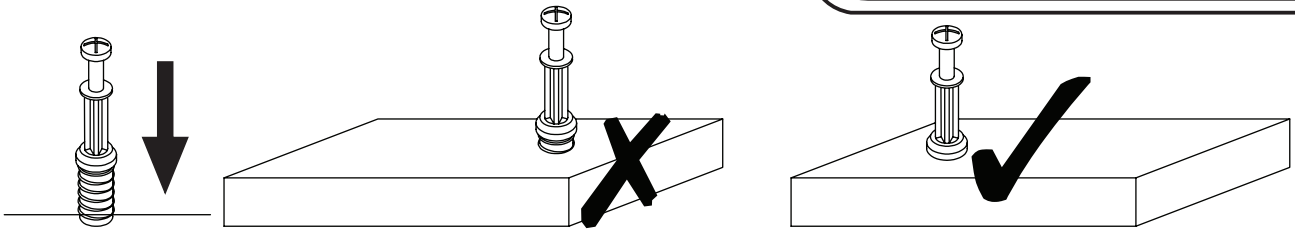
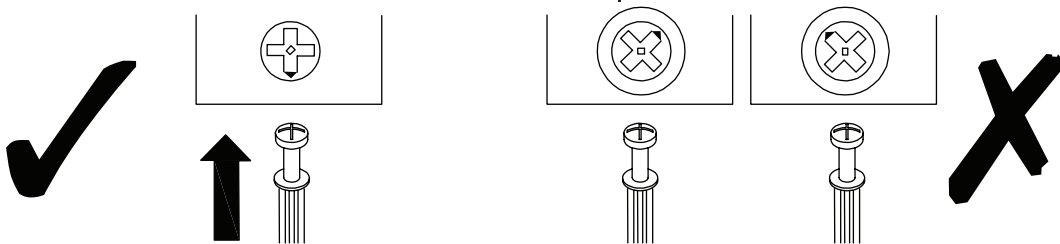


EN_IMPORTANT, RETAIN FOR FUTURE REFERENCE: READ CAREFULLY.

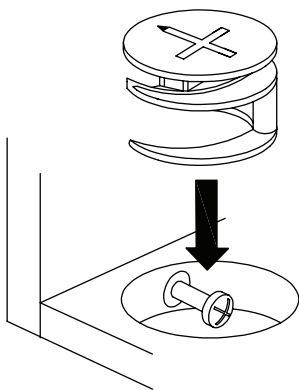
USING CAM LOCK AND QUICKFIT



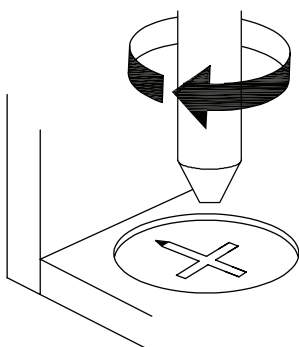
EN_QUICKFIT: Tighten quickfit until shoulder is flush with panel. Do not overtighten or undertighten.



EN_CAM LOCK: When fitting cam lock, ensure starting position is correct before you insert connecting quickfit.

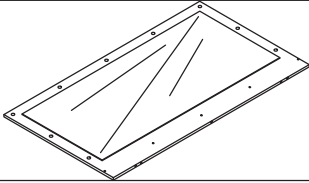
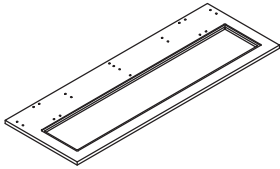
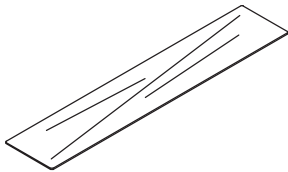
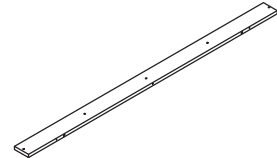
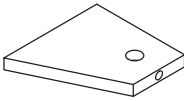
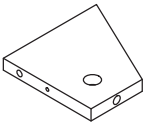
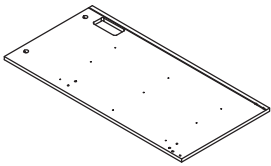
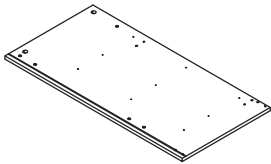
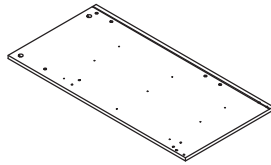
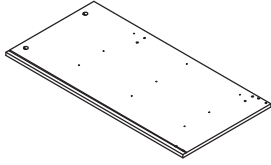


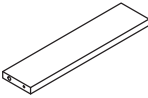
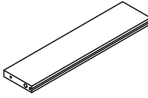
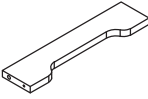
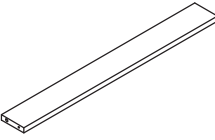
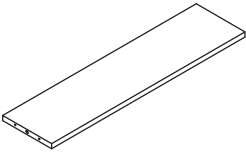
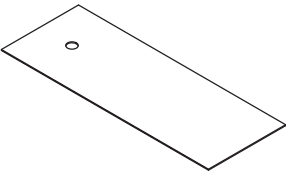
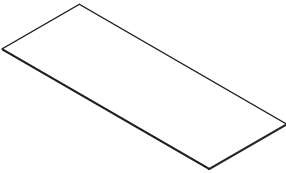
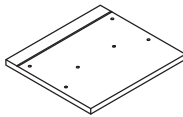
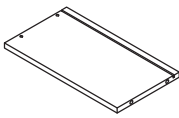
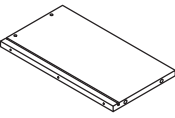
EN_Quickfit head should be in the centre of the cam lock when the two panels are joined.
Cam lock should be inserted before quickfit.

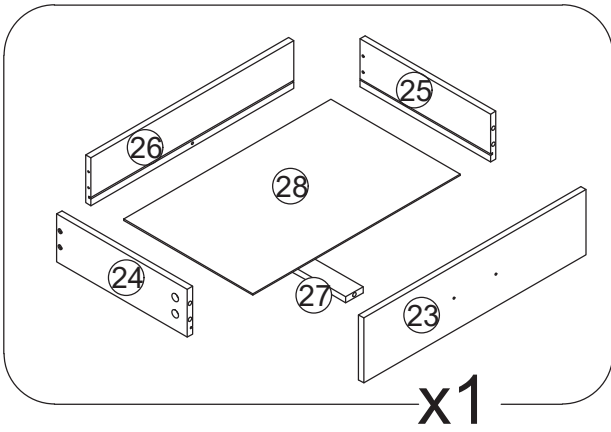
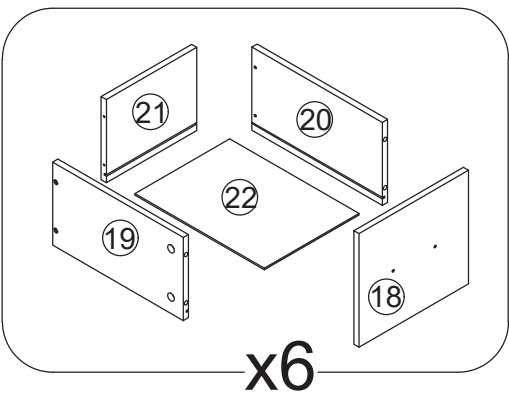
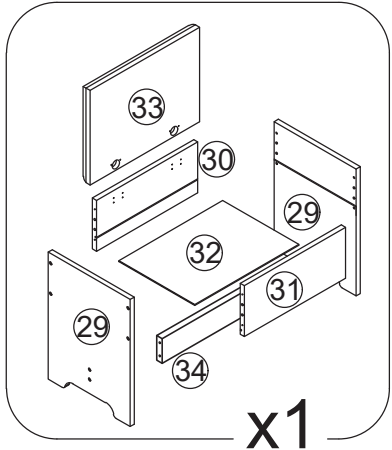
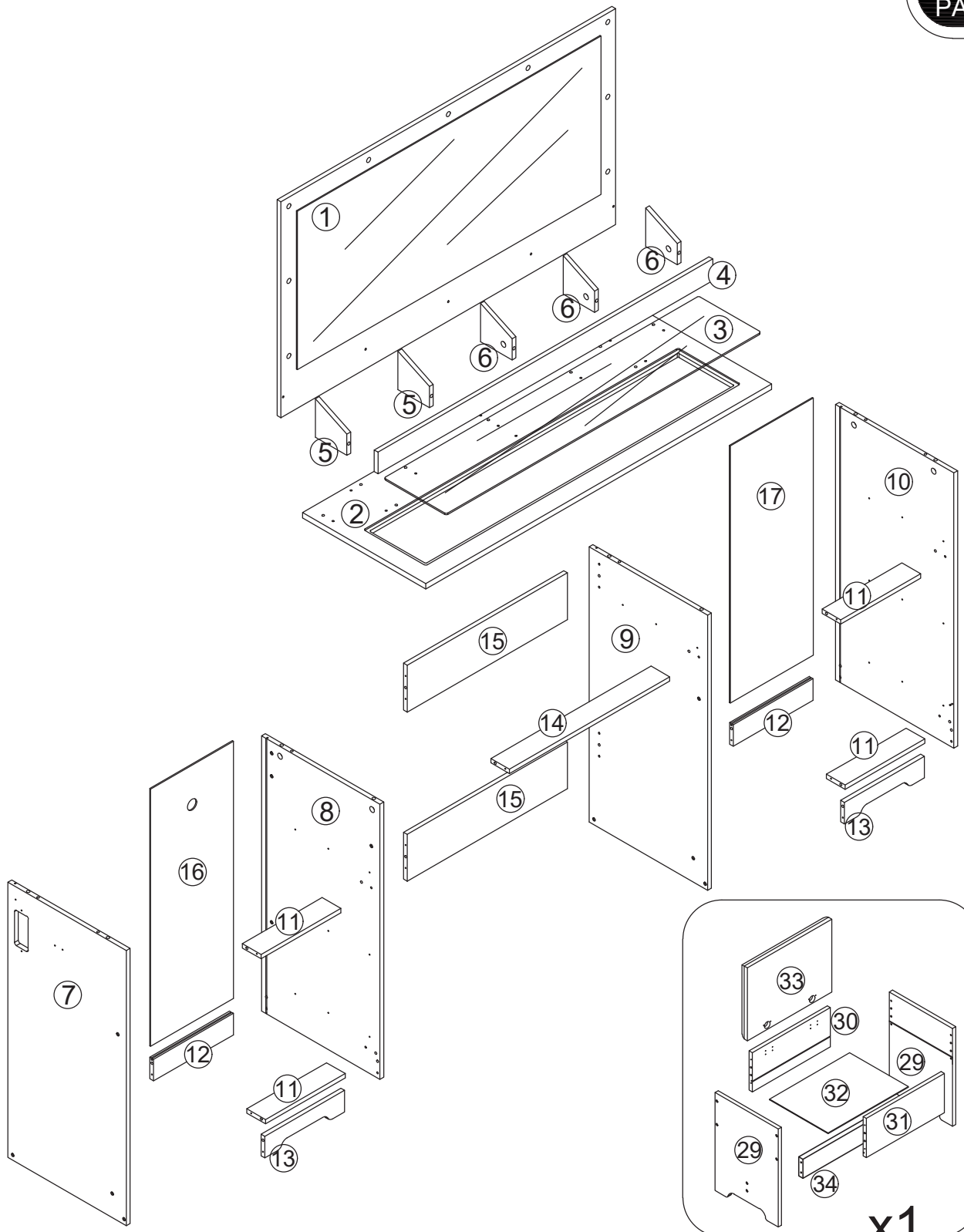


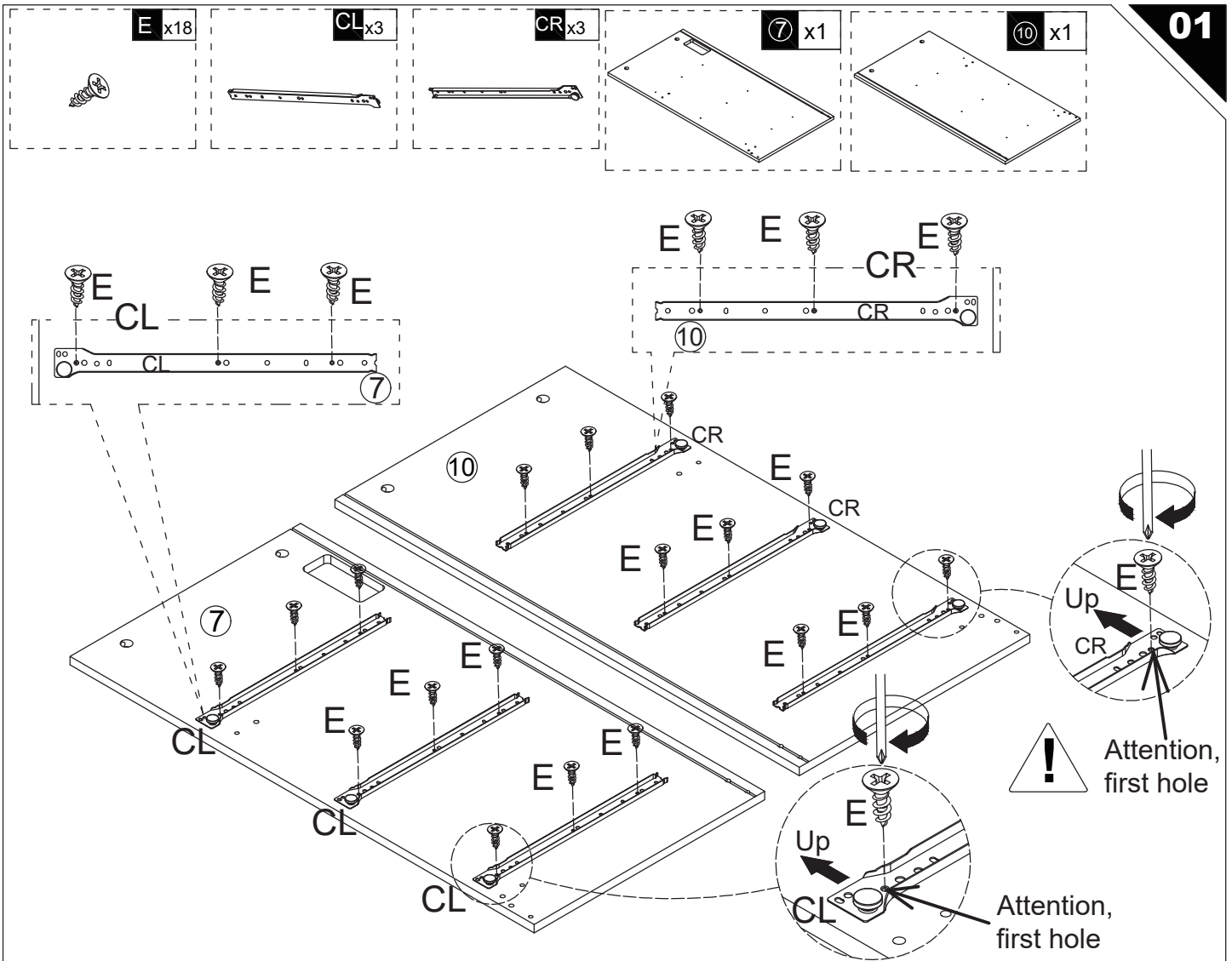
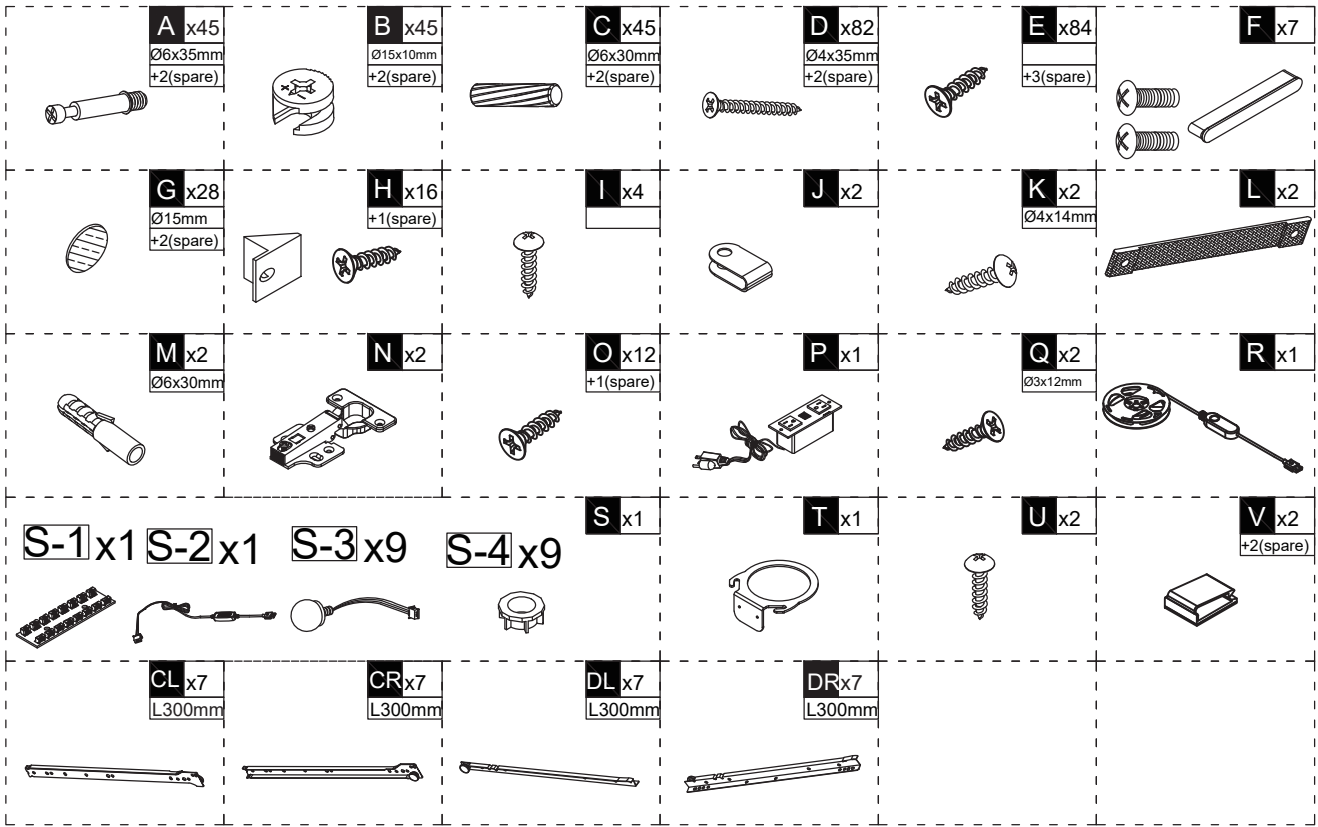
EN_Turn cam lock clockwise to tighten.

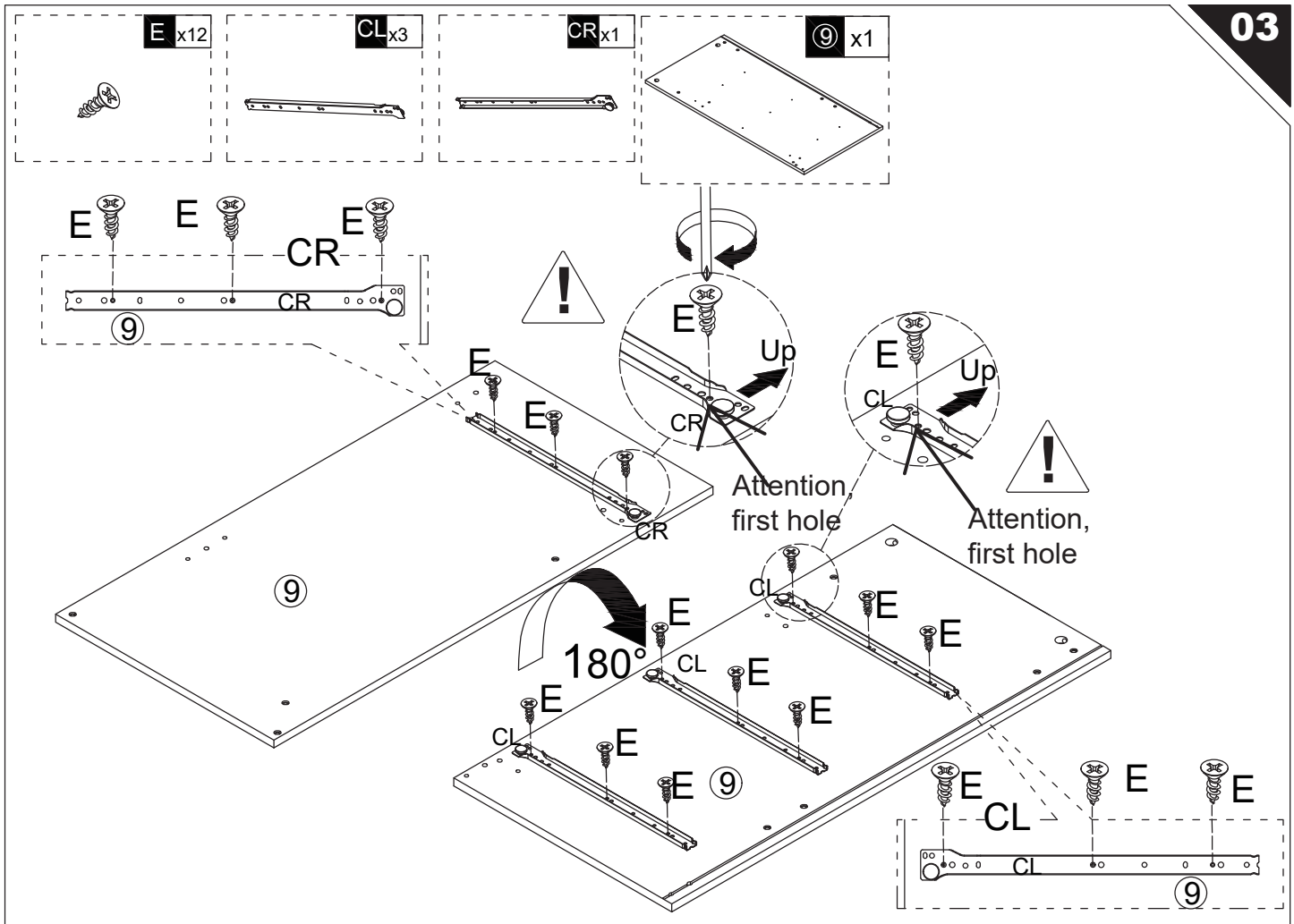
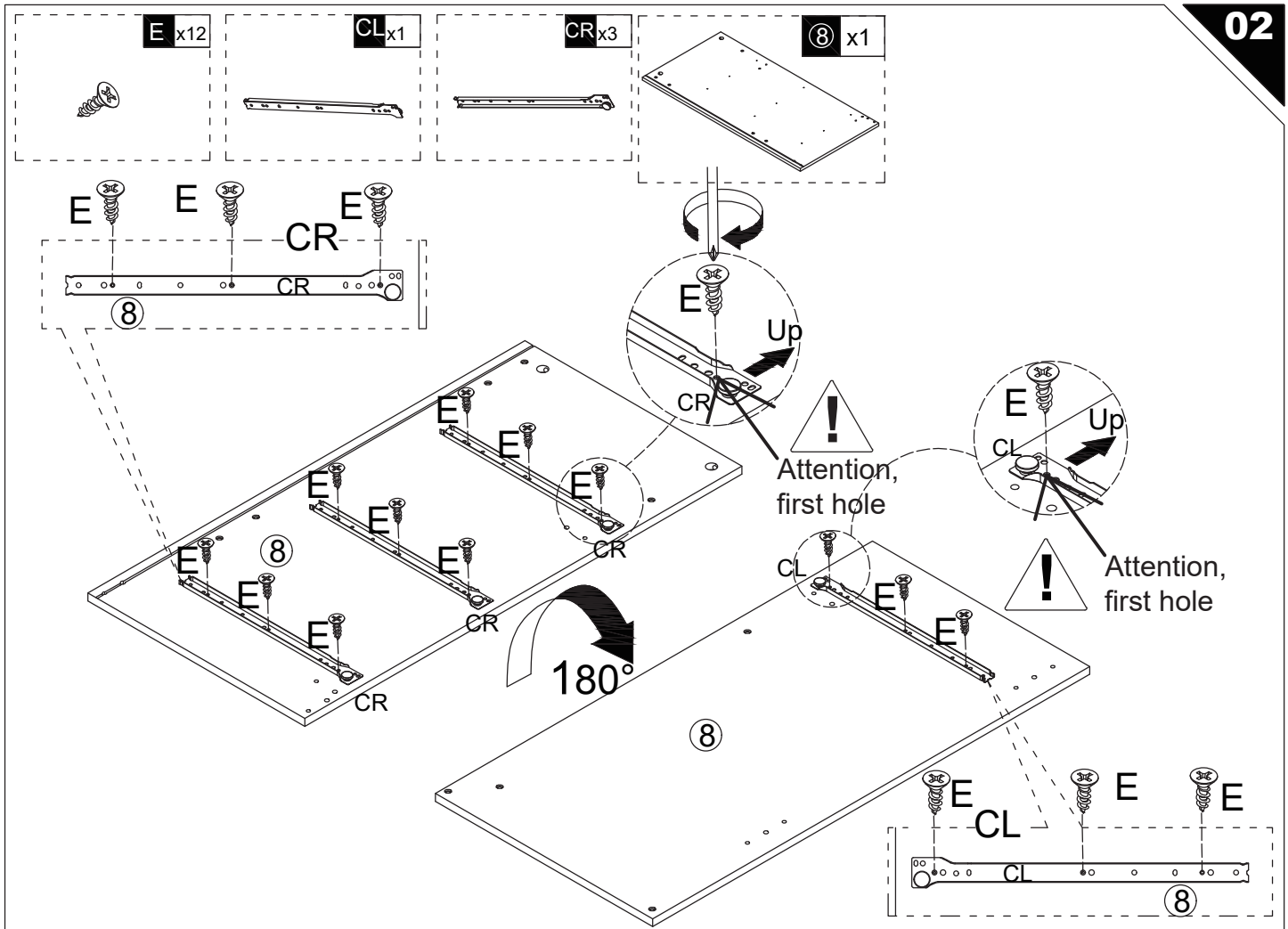
PACKING DELALS

NO.	PARTS	QTY	SPARE
①		x1	
②		x1	
③		x1	
④		x1	
⑤		x2	
⑥		x3	
⑦		x1	
⑧		x1	
⑨		x1	
⑩		x1	

NO.	PARTS	QTY	SPARE
⑪		x4	
⑫		x2	
⑬		x2	
⑭		x1	
⑮		x2	
⑯		x1	
⑰		x1	
⑱		x6	
⑲		x6	
⑳		x6	





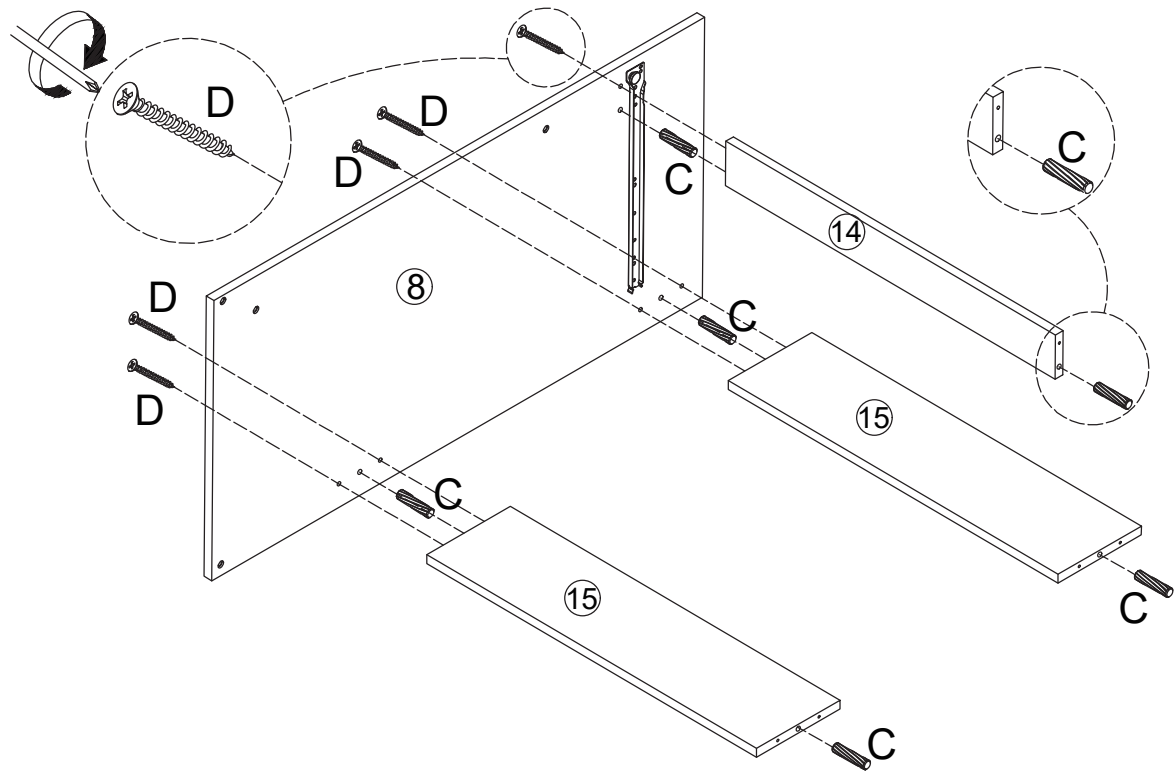
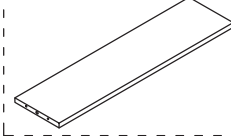
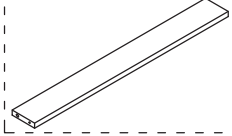


C x6

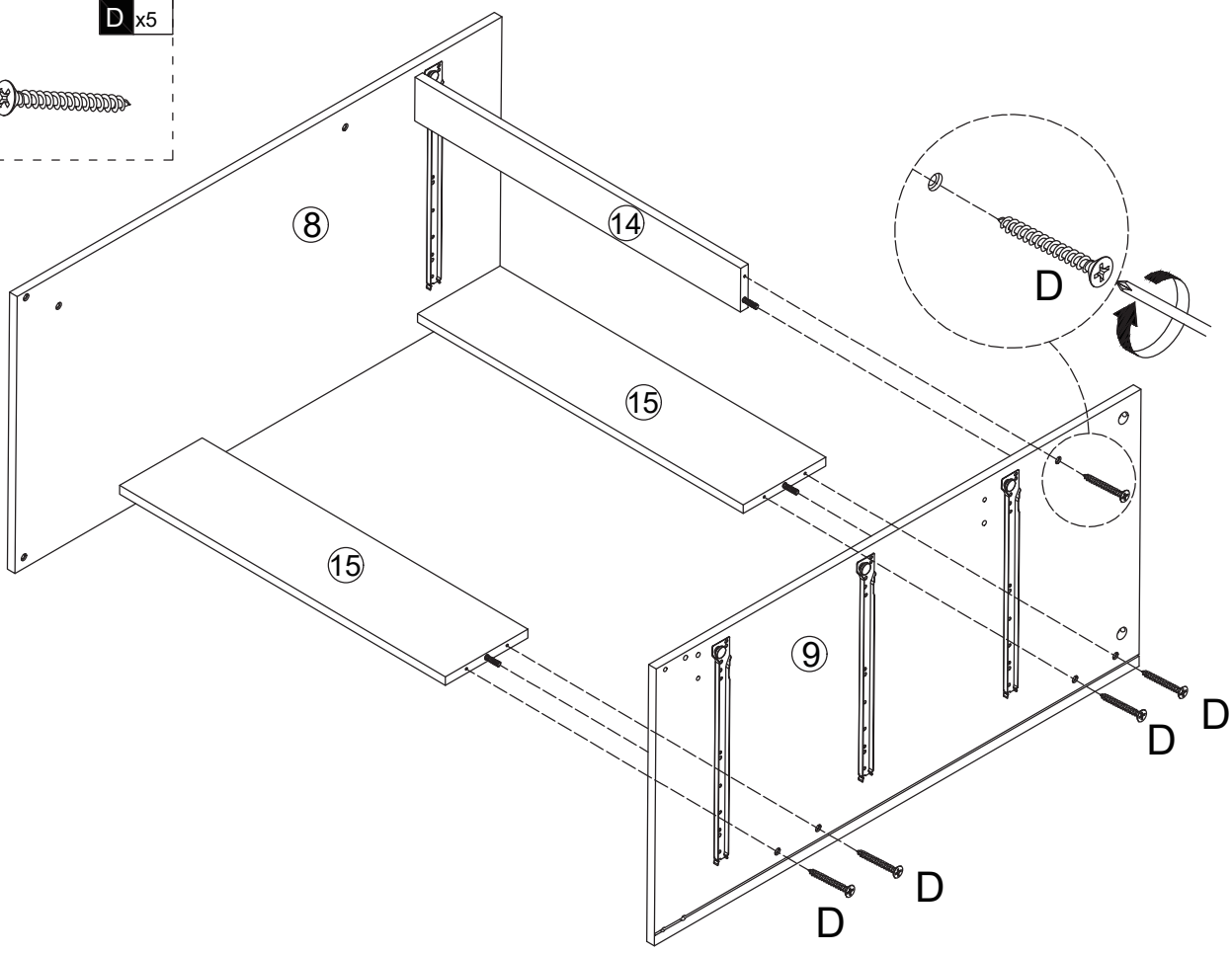
D x5

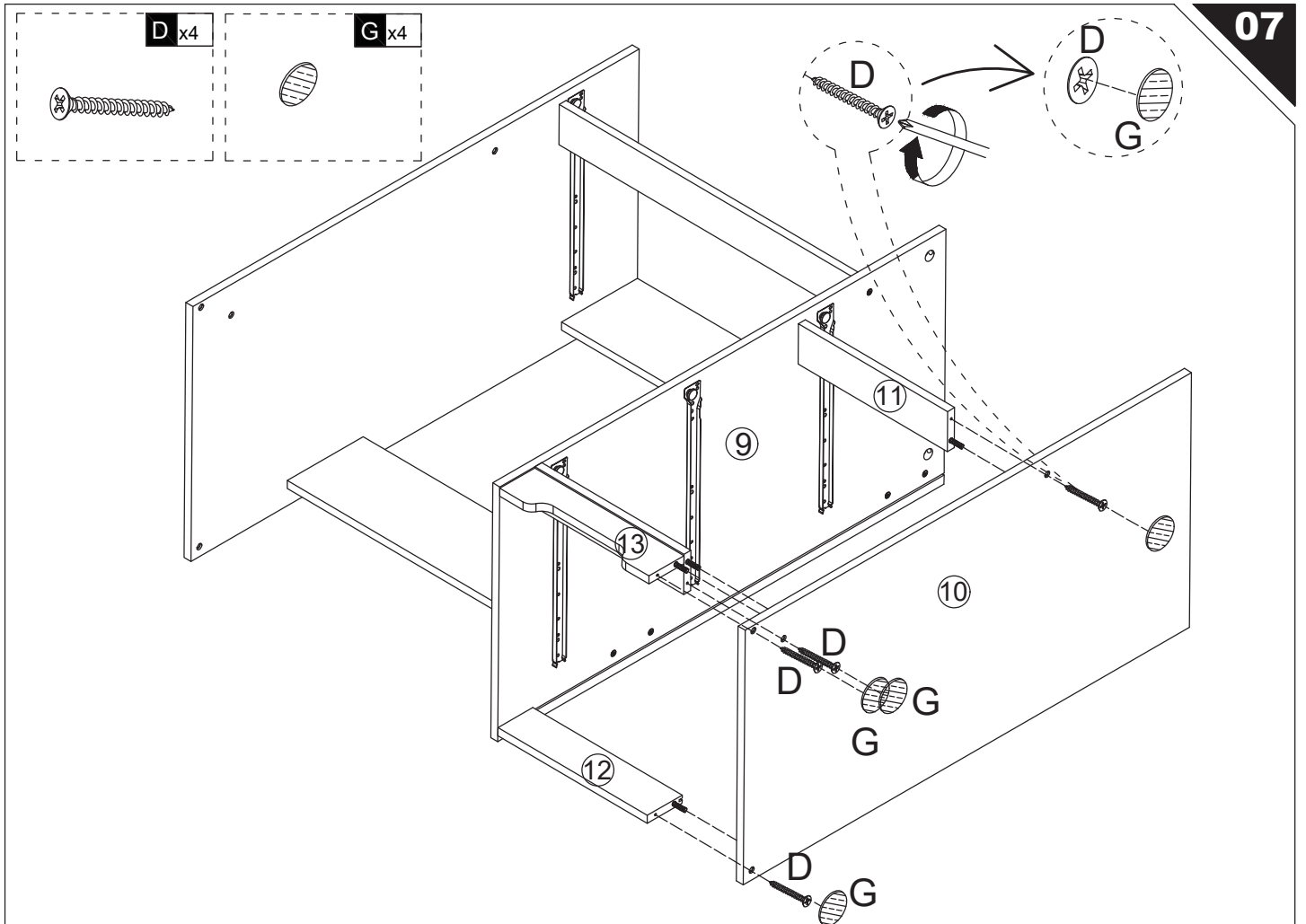
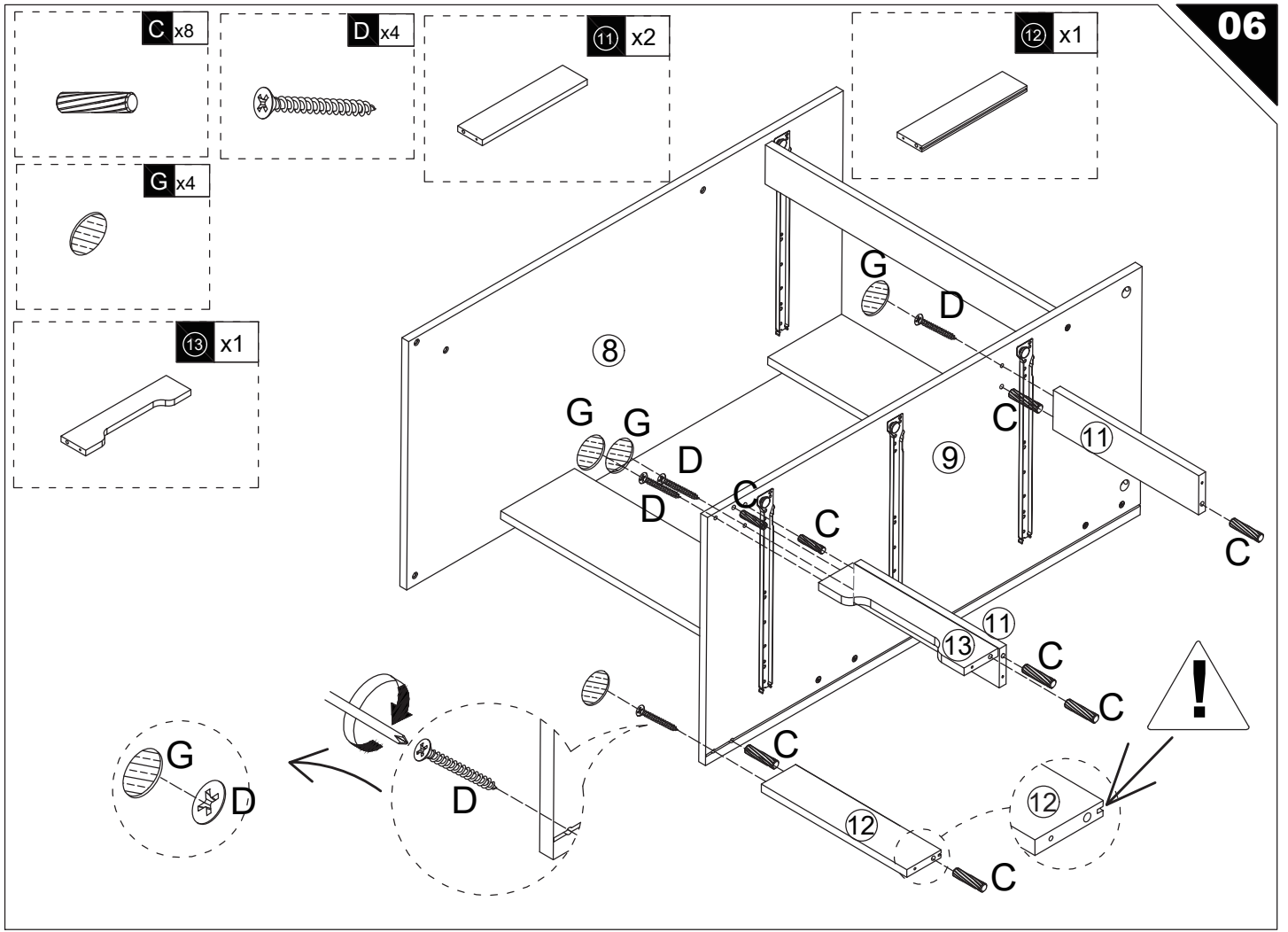
14 x1

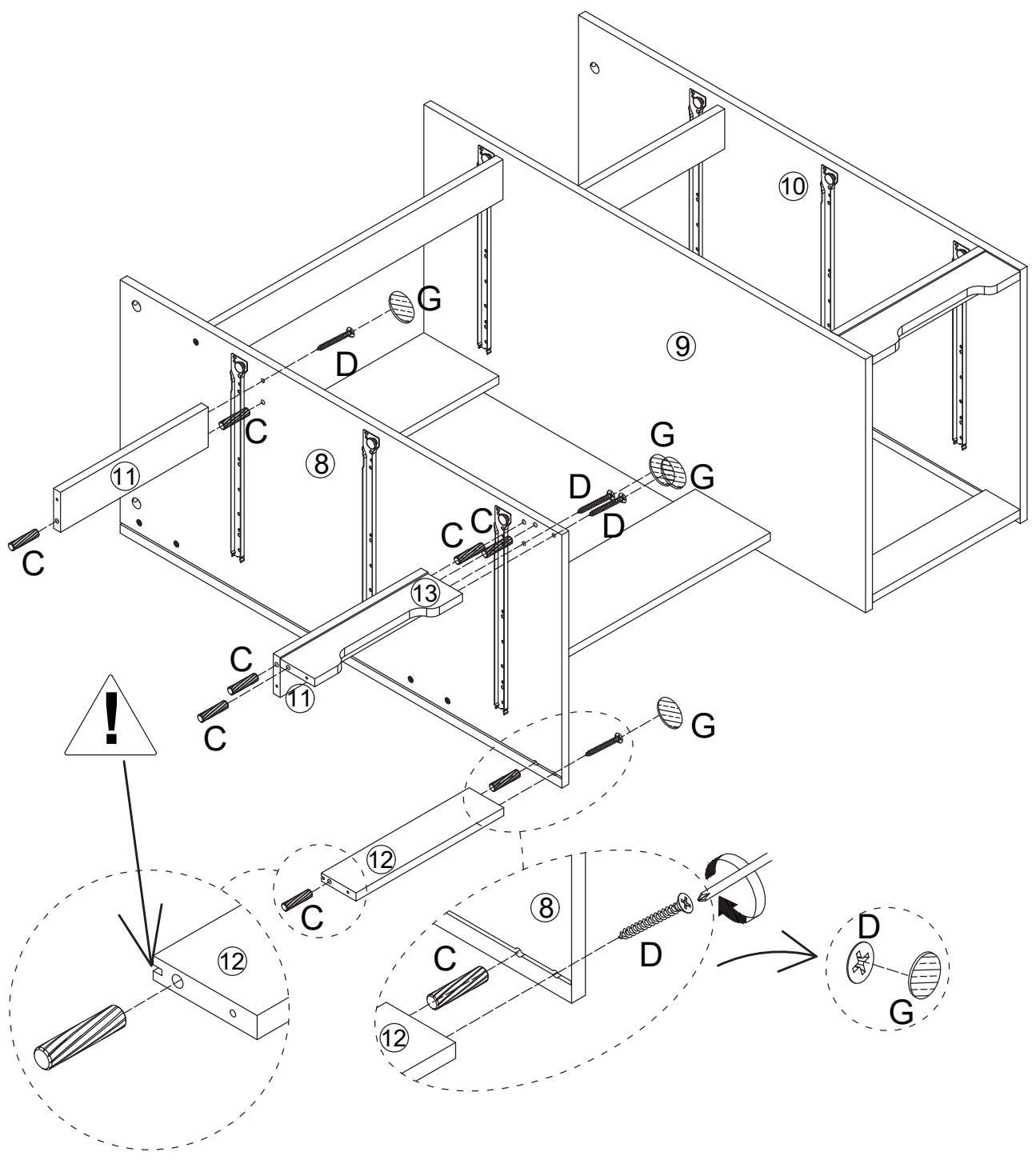
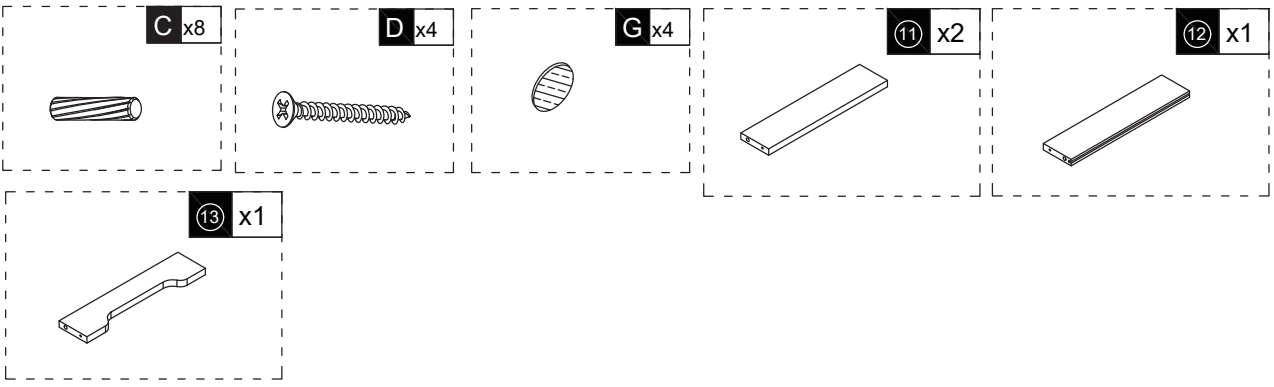
15 x2



D x5

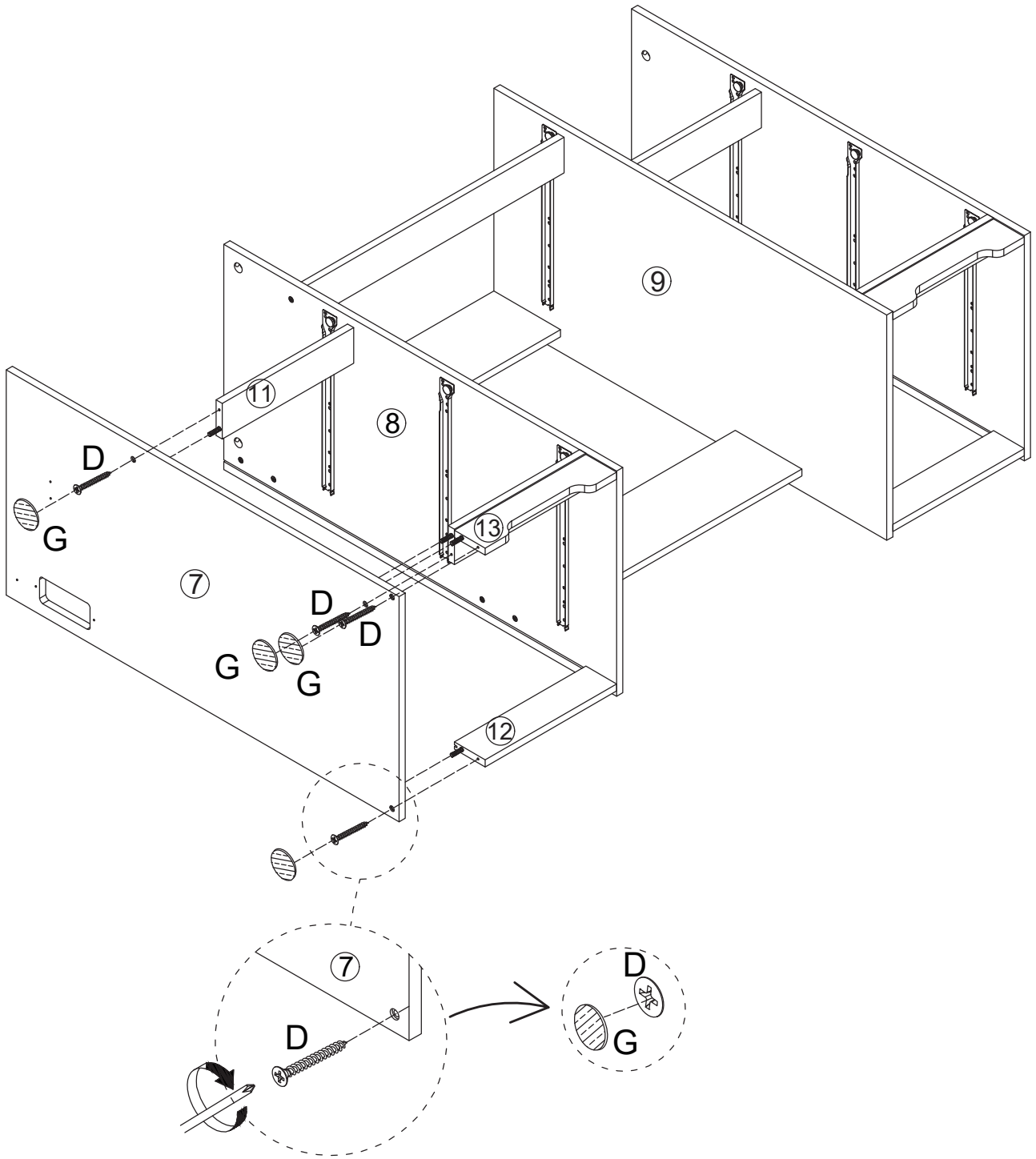


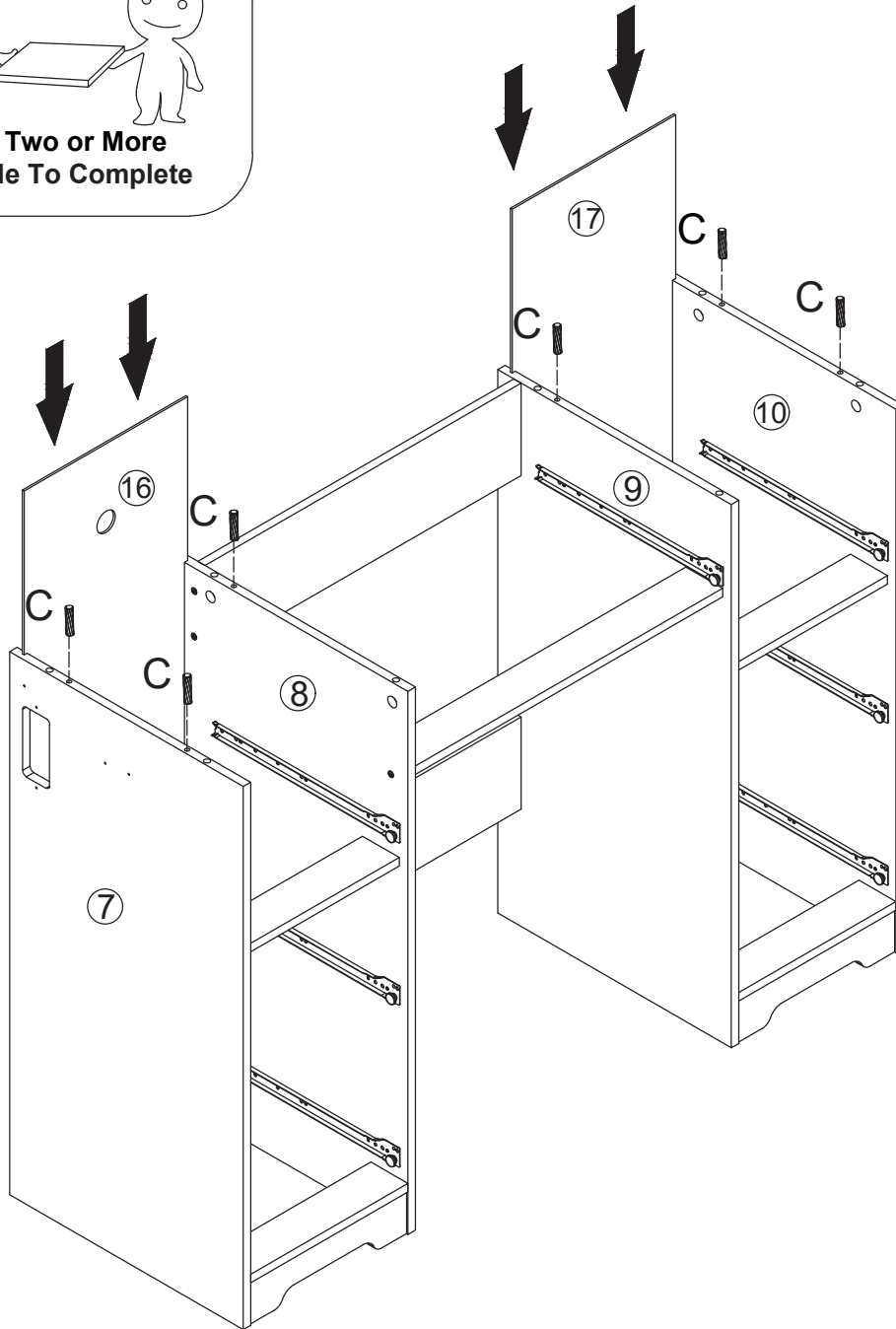
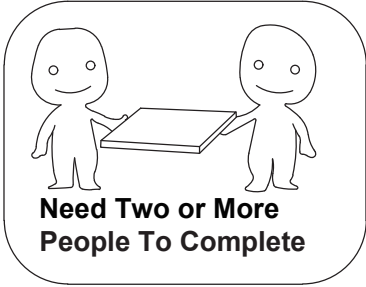
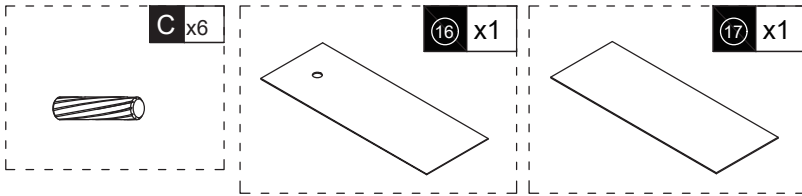




D x4

G x4



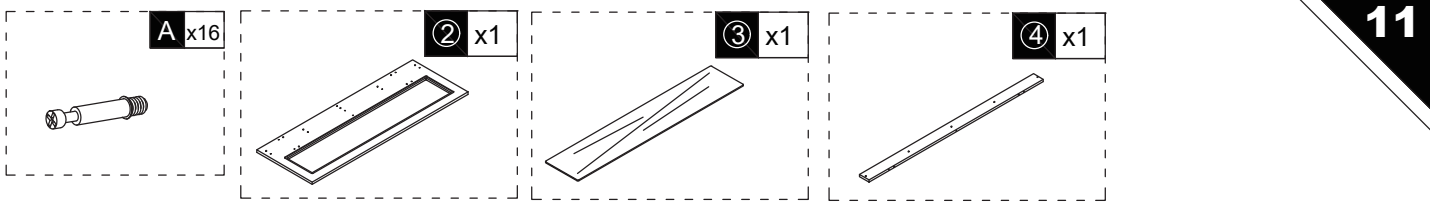


A x16

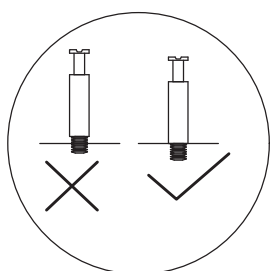
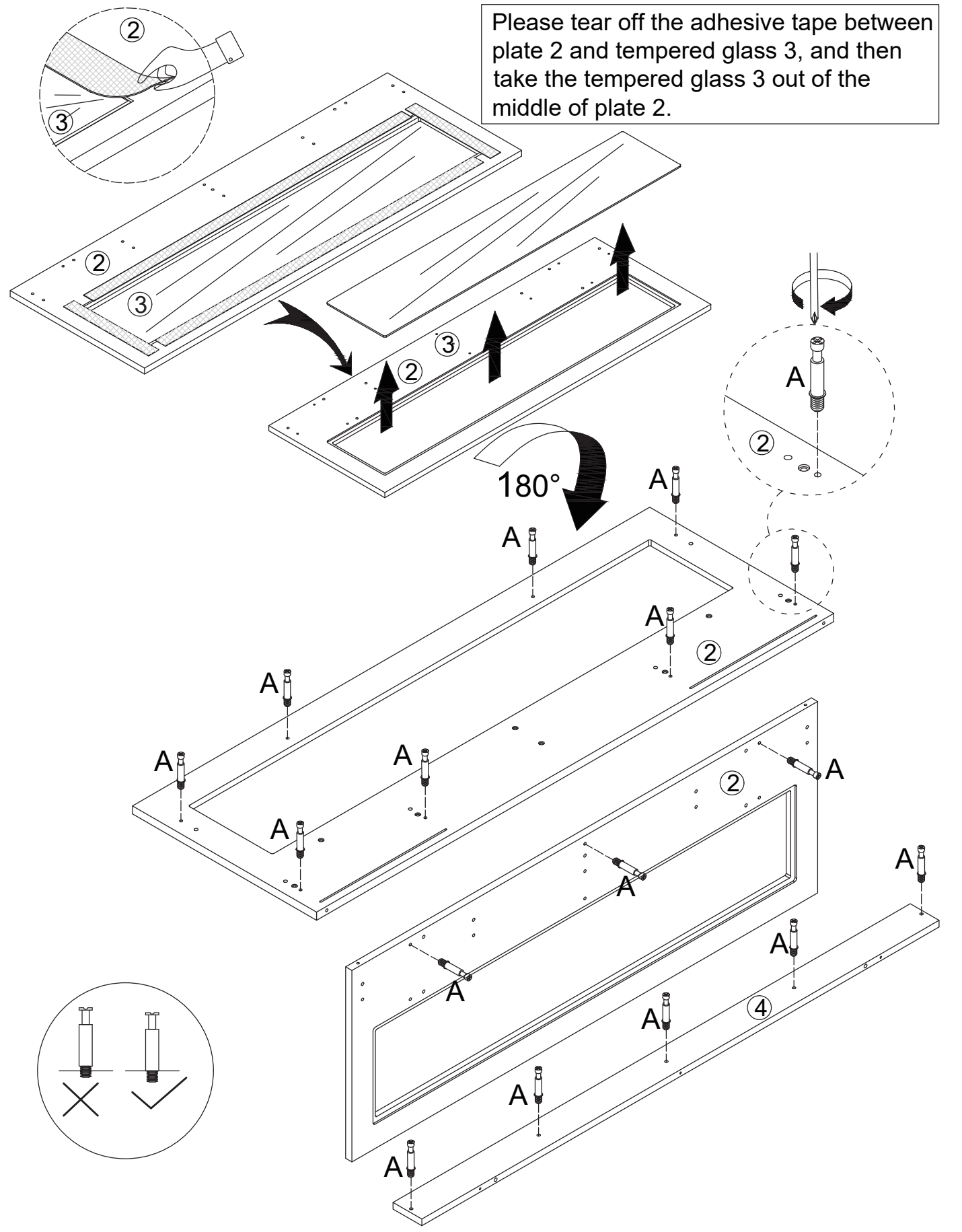
2 x1

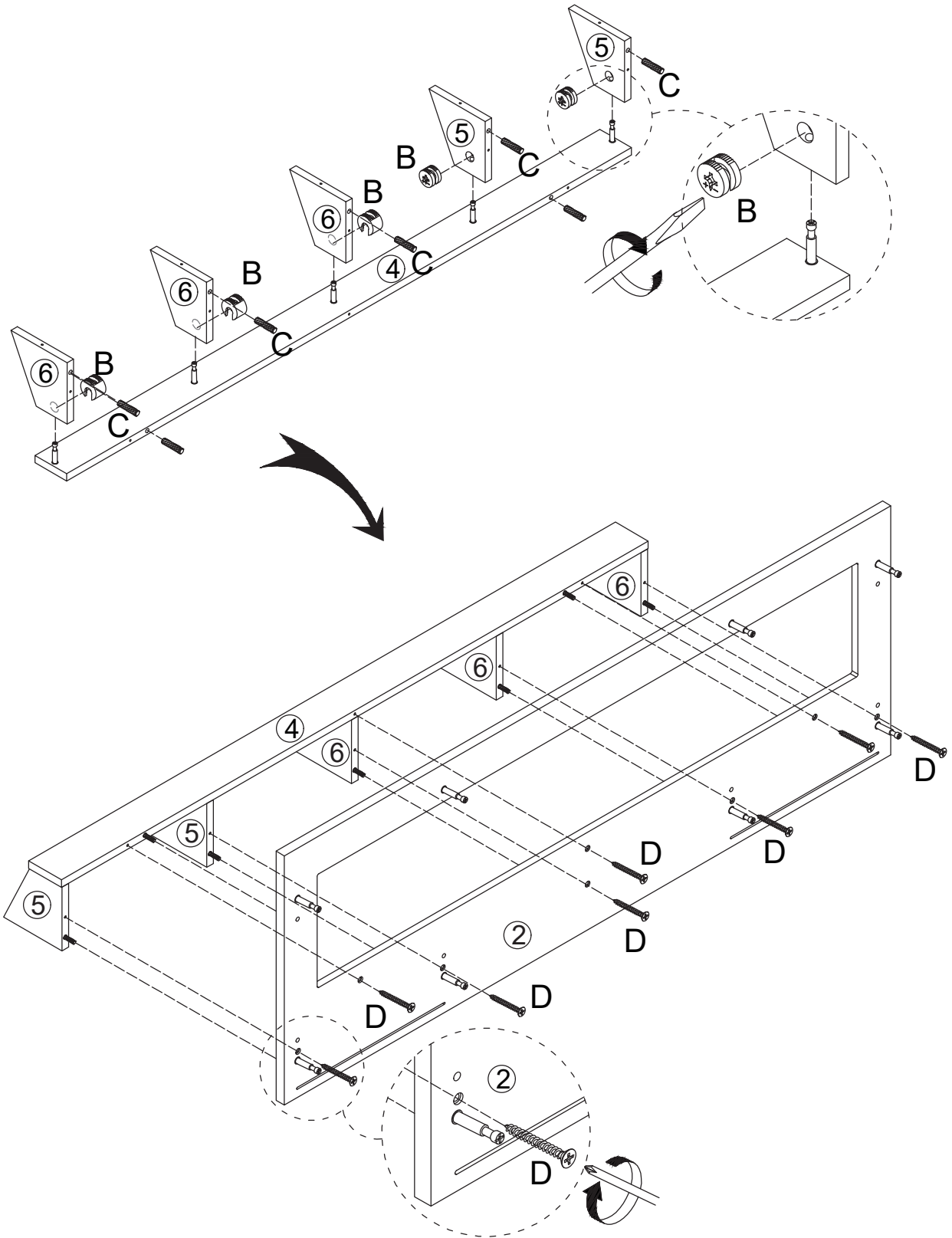
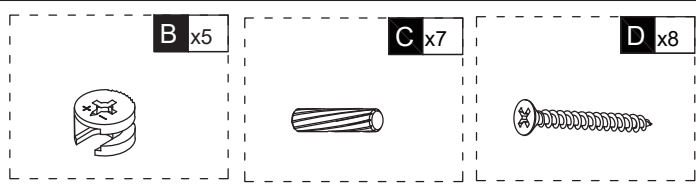
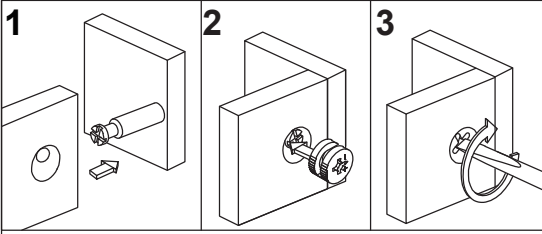
3 x1

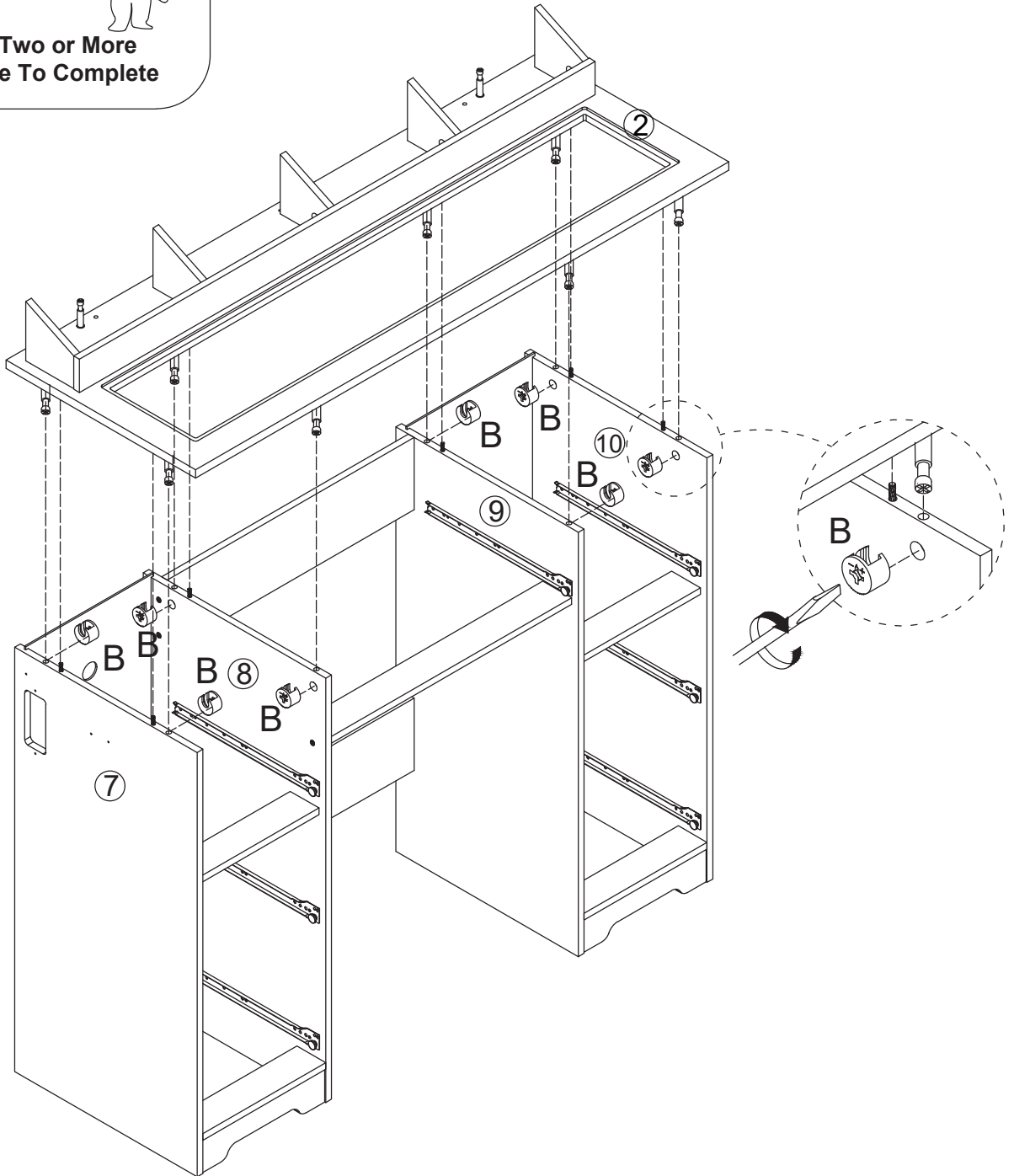
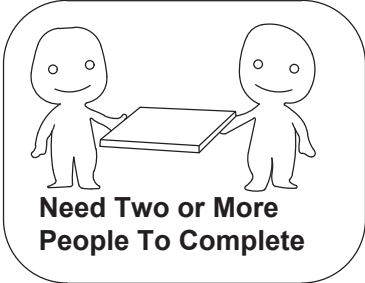
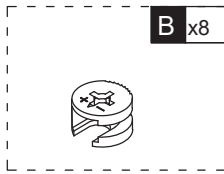
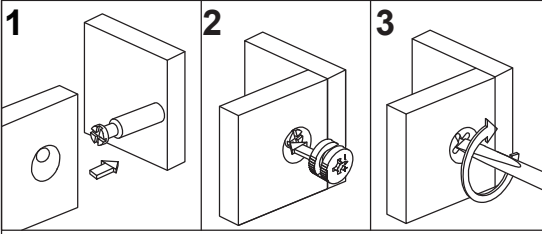
4 x1



Please tear off the adhesive tape between plate 2 and tempered glass 3, and then take the tempered glass 3 out of the middle of plate 2.



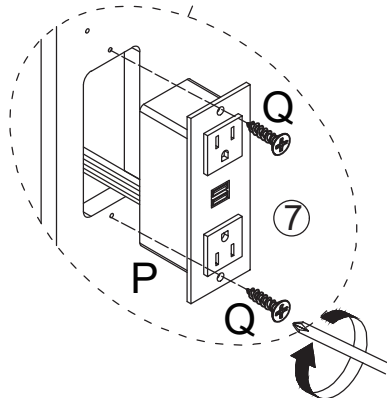
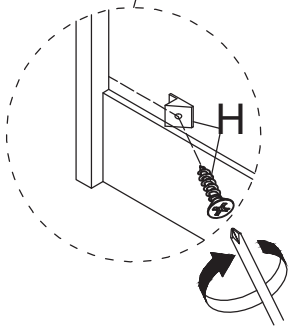
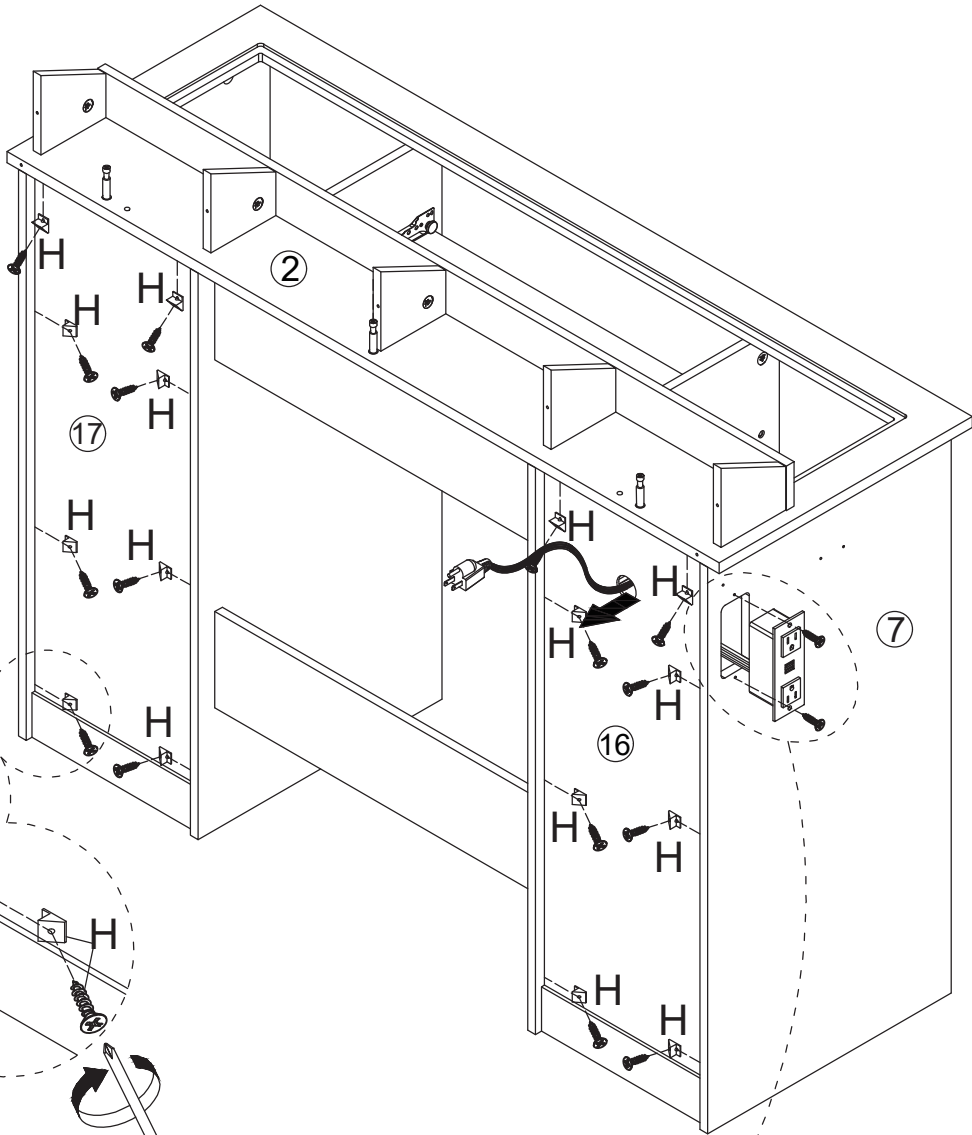


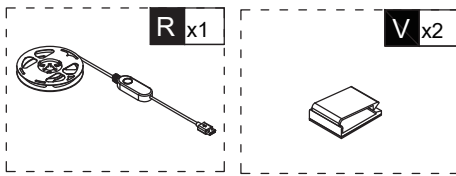


H x16

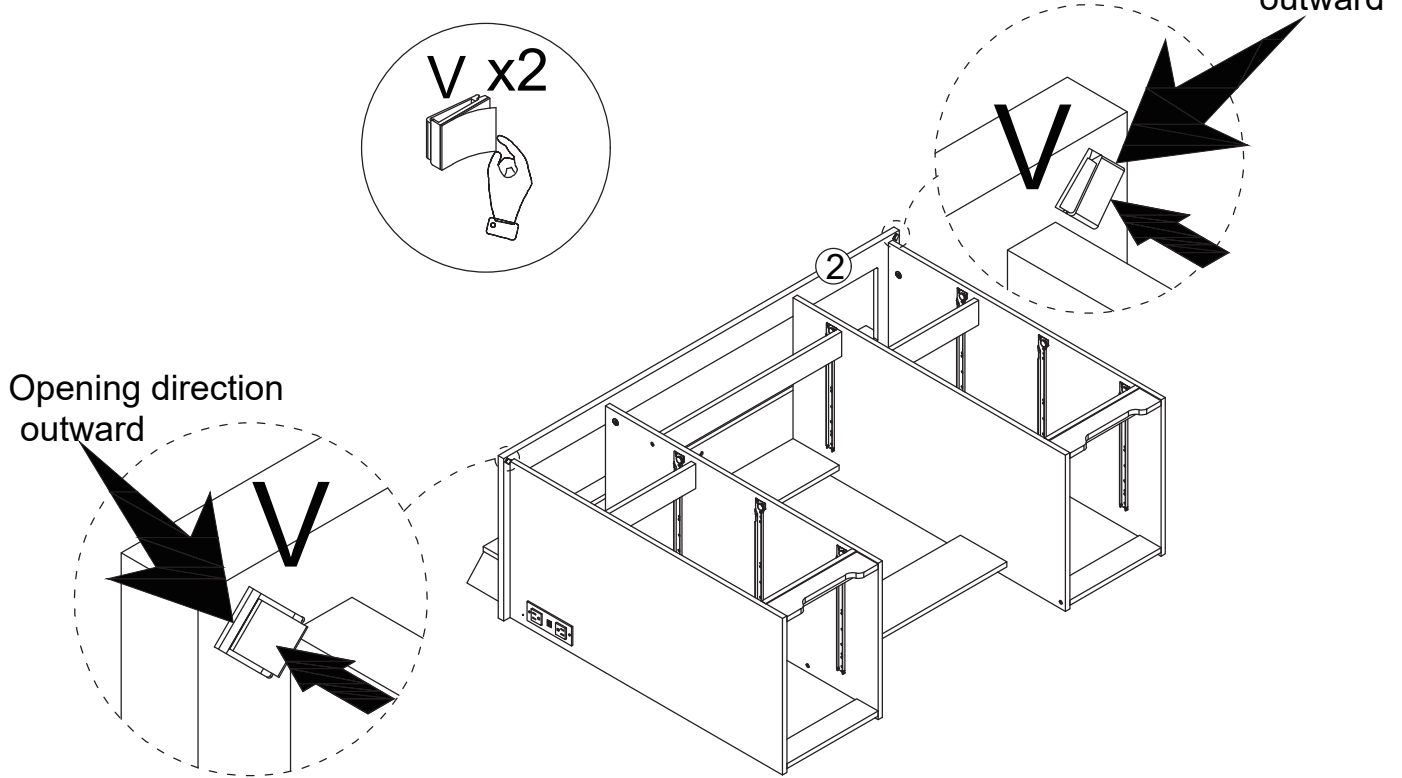
P x1

Q x2

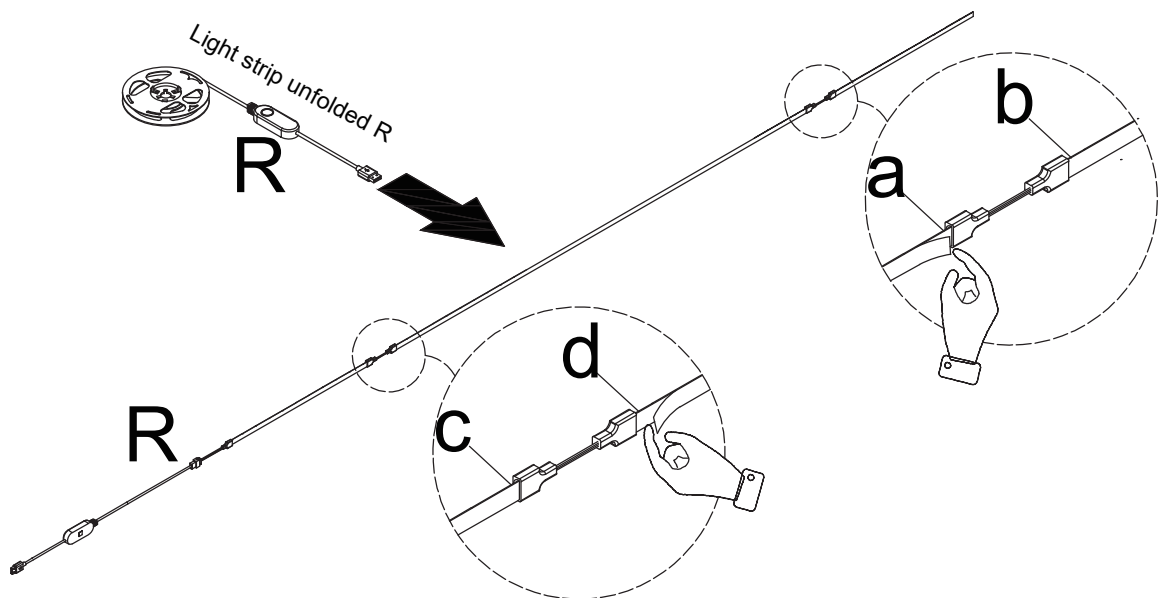




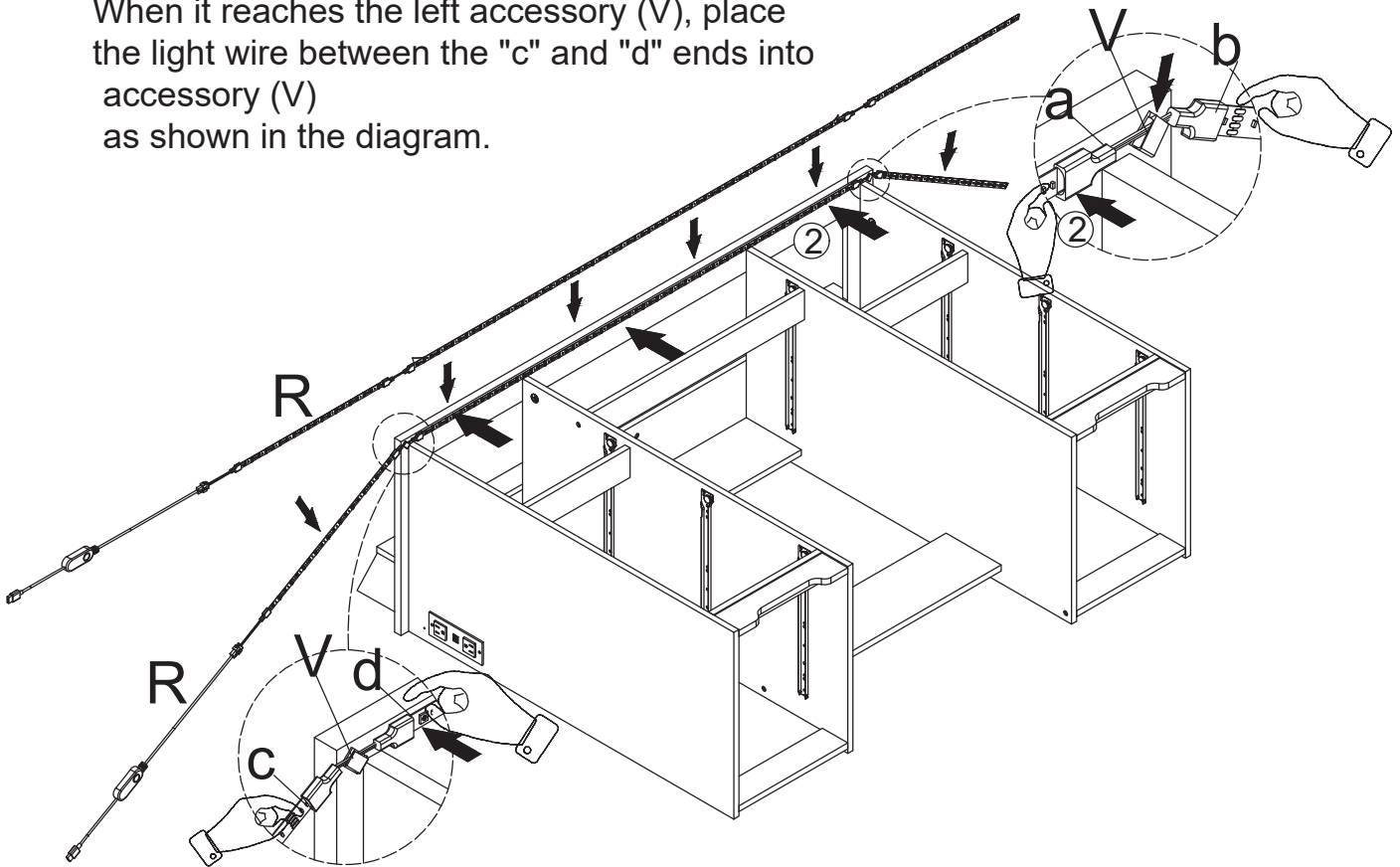
- (1) Firstly, move the cabinet to the designated location as shown in the picture, tear off the adhesive on the back of the accessory (V), and then stick the accessory (V) to the front left and right ends of the tabletop of board 2 as shown in the picture, with the opening direction facing outward.



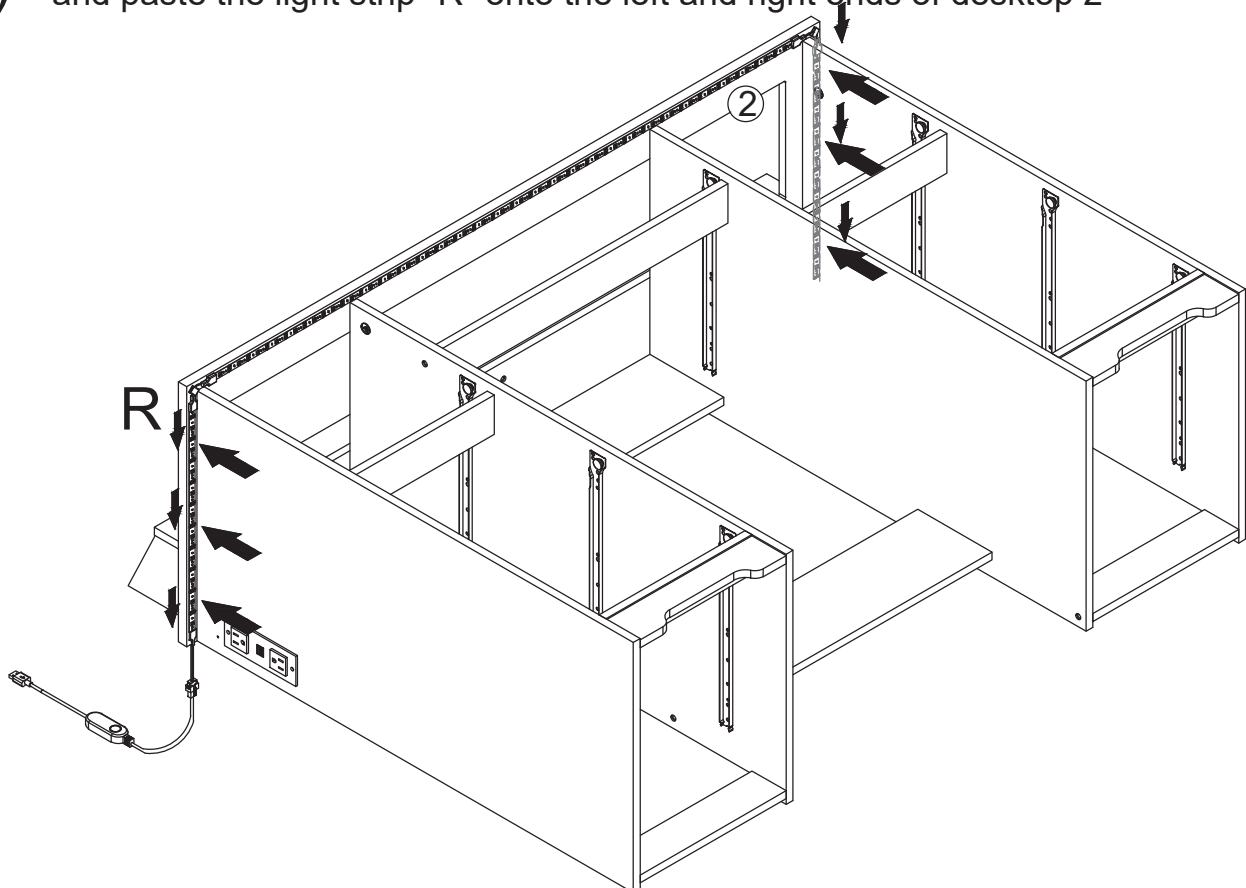
- (2) Please unfold the light strip (R), and then peel off a small piece of adhesive from the back of the "a" and "d" ends in the middle of the light strip.



- (3) Please place the light wire between the "a" and "d" ends on the right side as shown in the diagram into accessory (V), and then peel off the adhesive on the light strip (R) to the left and stick it to accessory (V). When it reaches the left accessory (V), place the light wire between the "c" and "d" ends into accessory (V) as shown in the diagram.



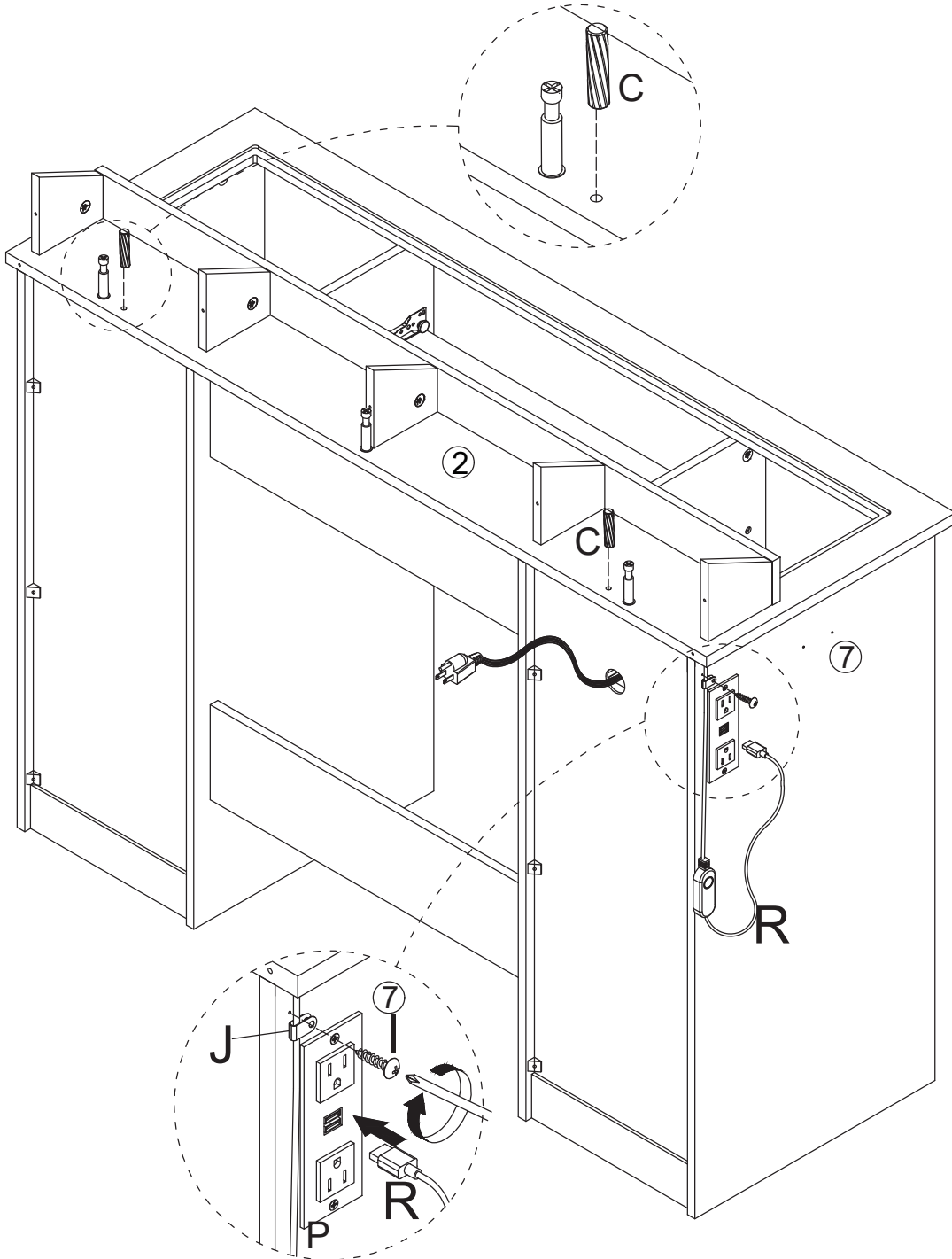
- (4) Finally, tear off the adhesive backing of the left and right light strips "R" and paste the light strip "R" onto the left and right ends of desktop 2



C x2

I x1

J x1



2

7

7

J

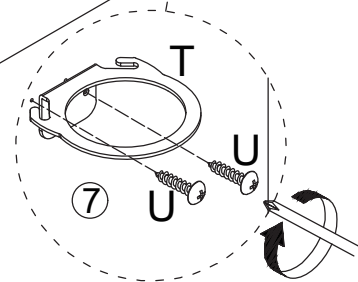
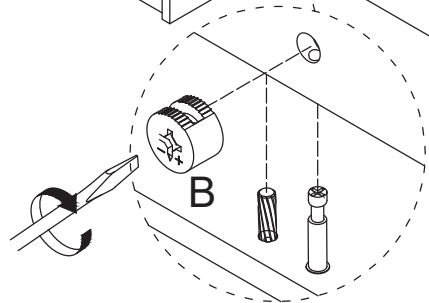
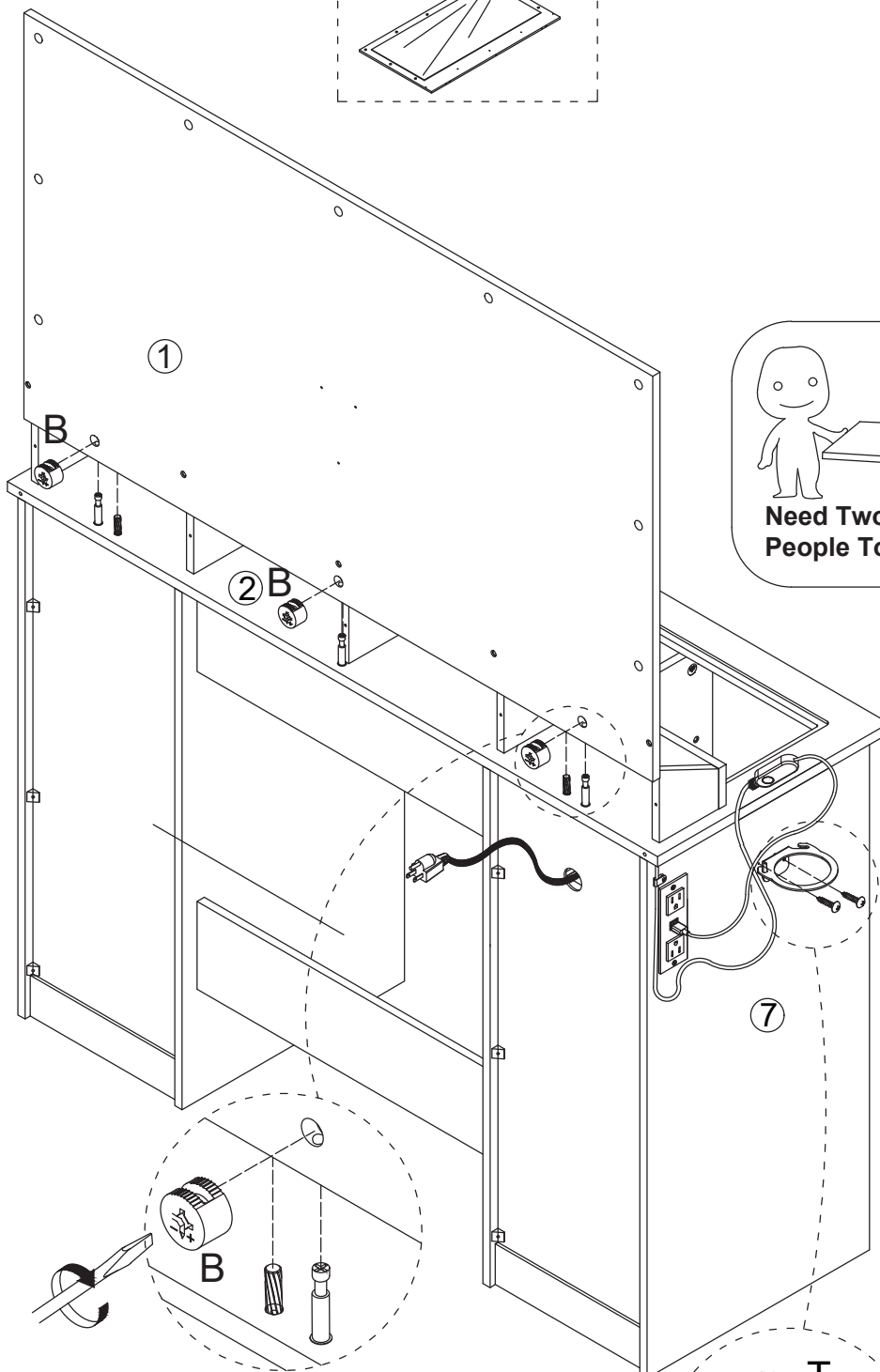
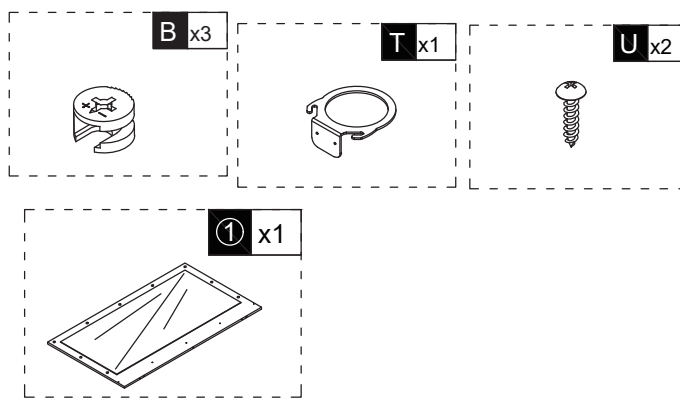
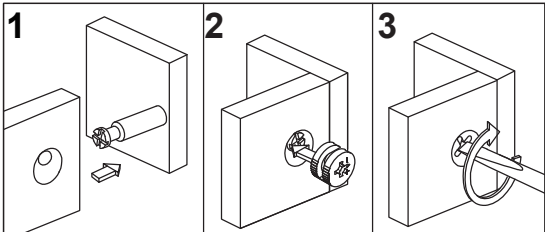
P

R

R

C

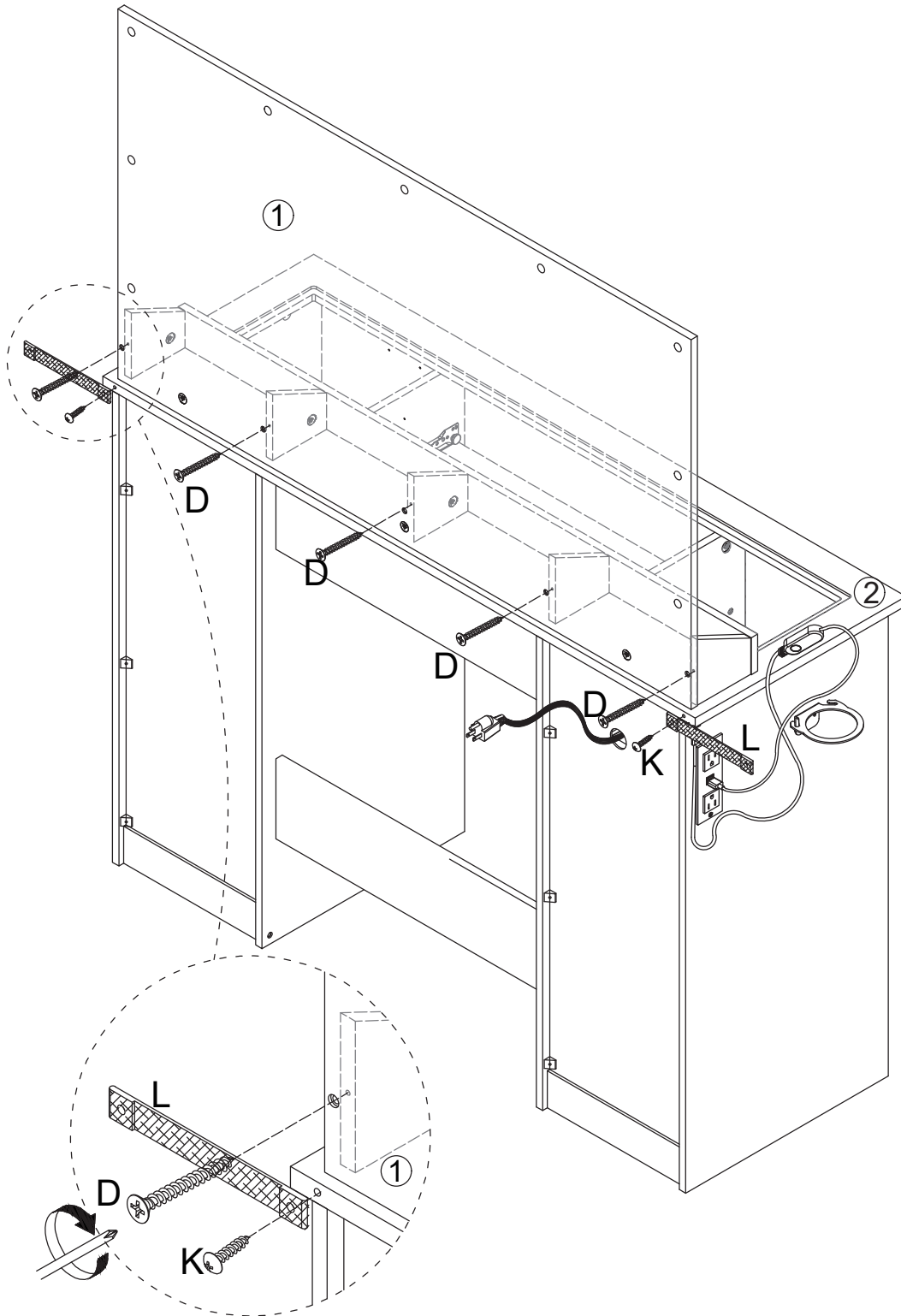
C

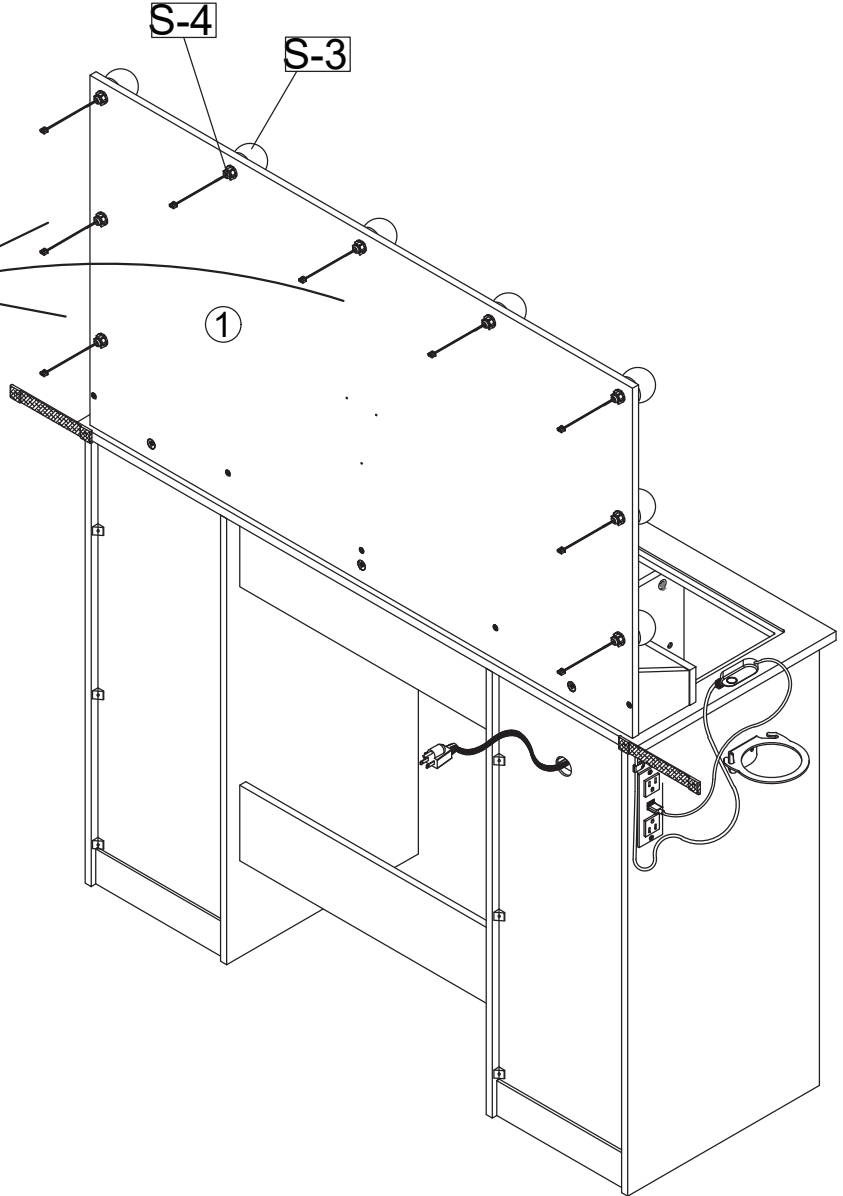
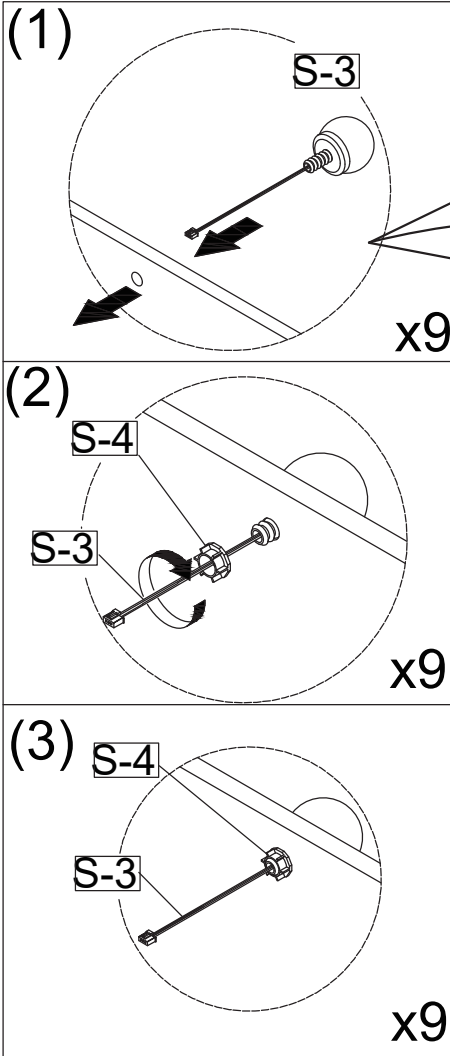
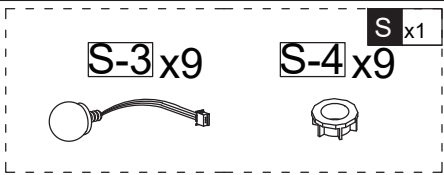


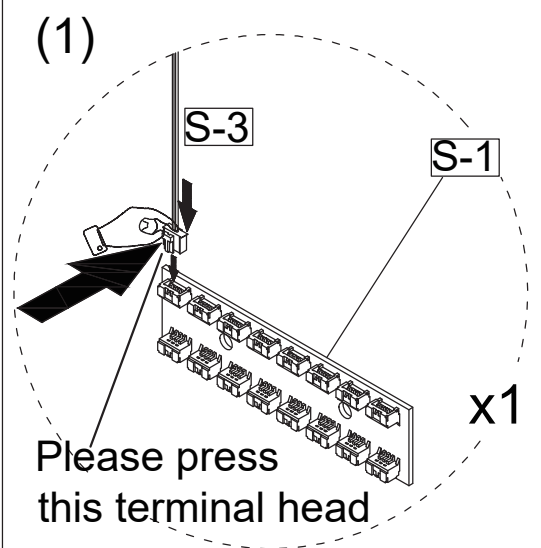
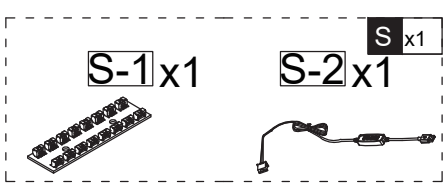
D x5

K x2

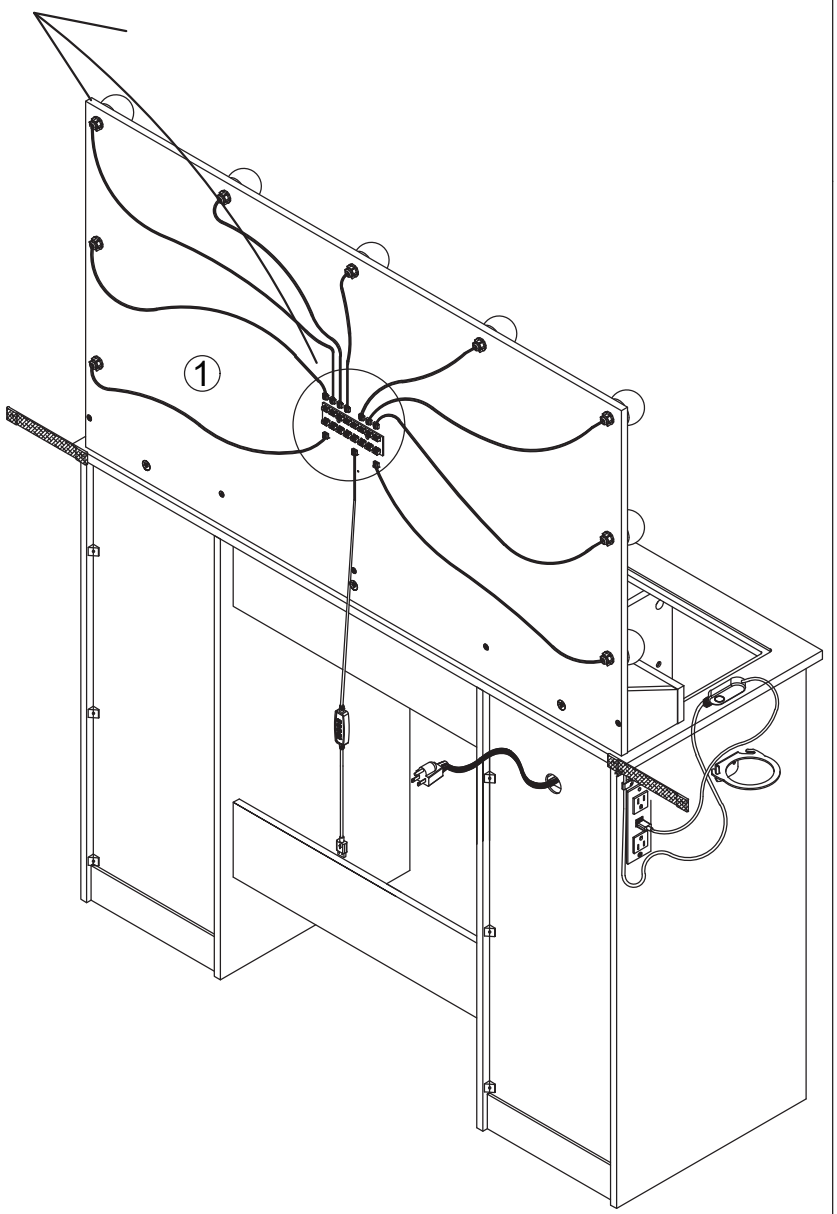
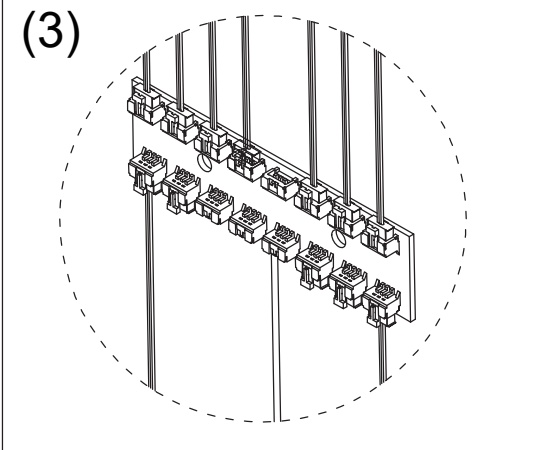
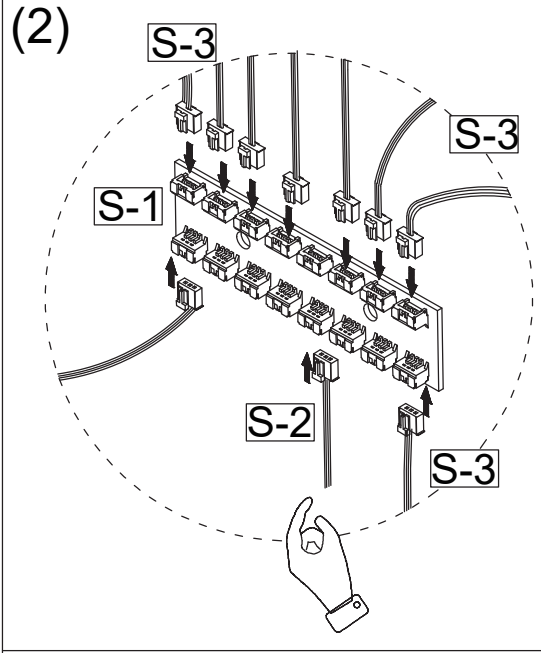
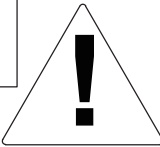
L x2





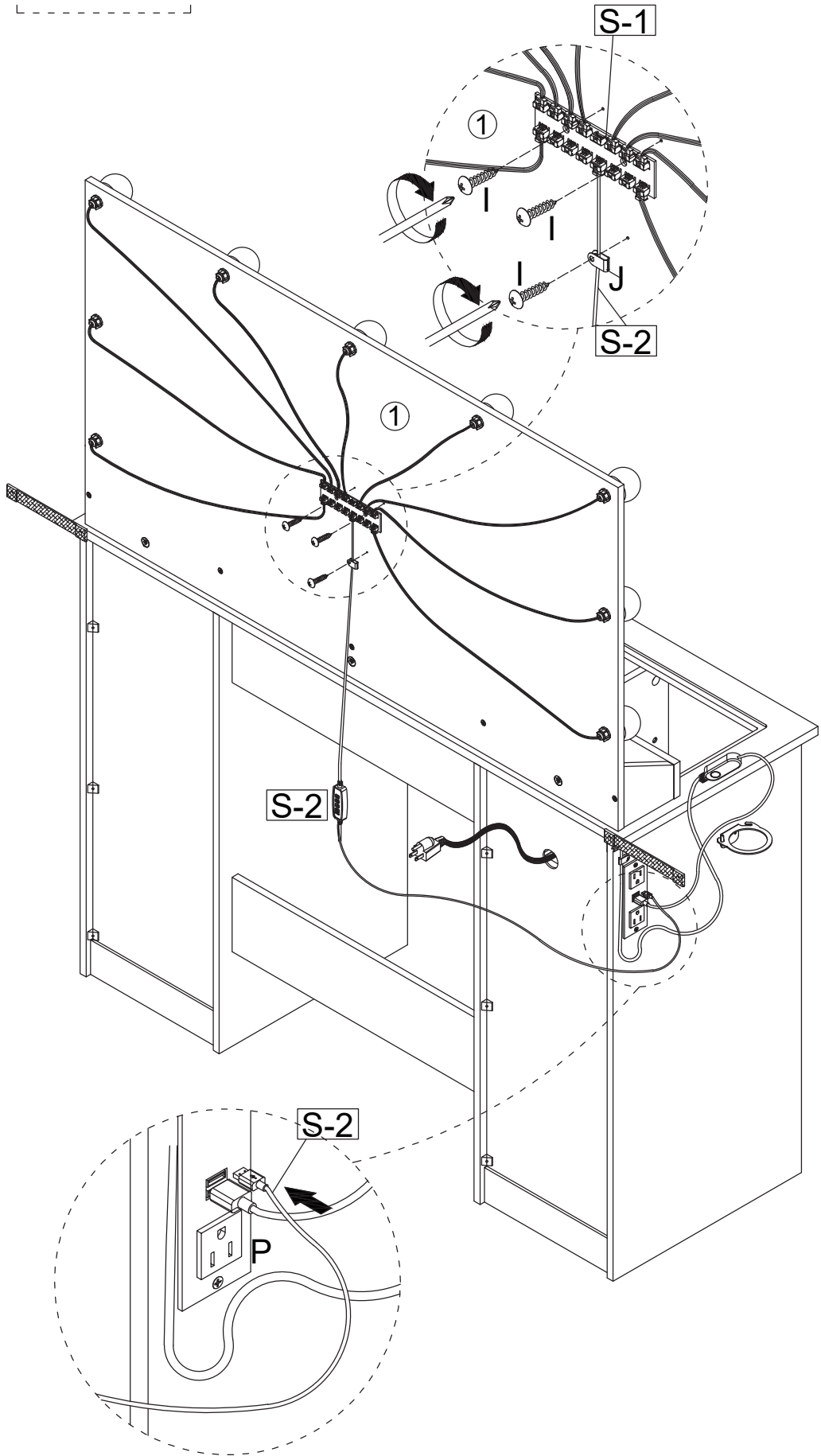


Please note that each terminal of S-1 can be used.



J x1

I x3



S-1

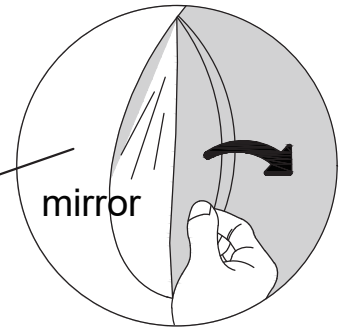
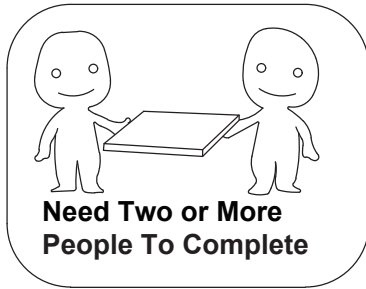
S-2

1

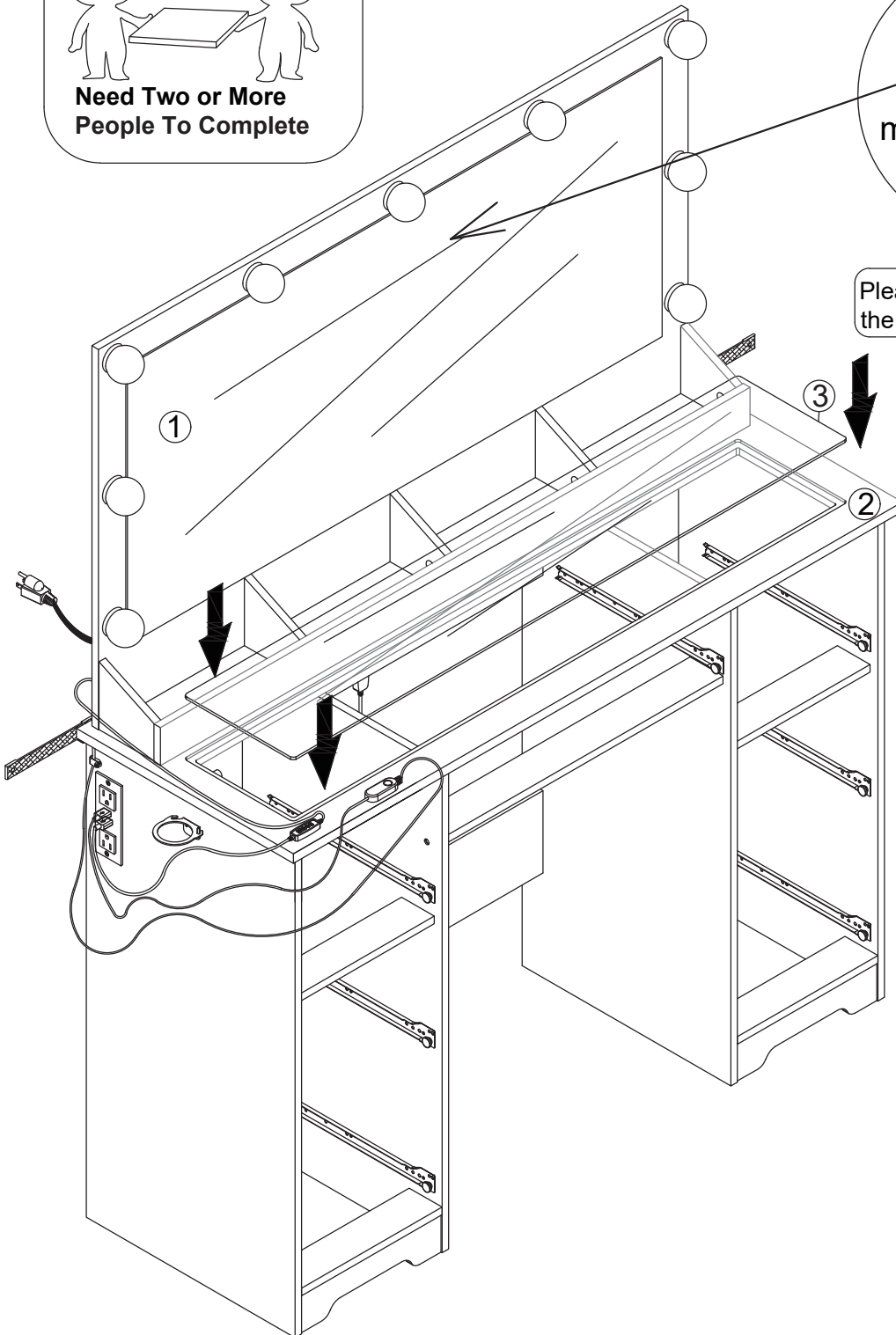
S-2

S-2

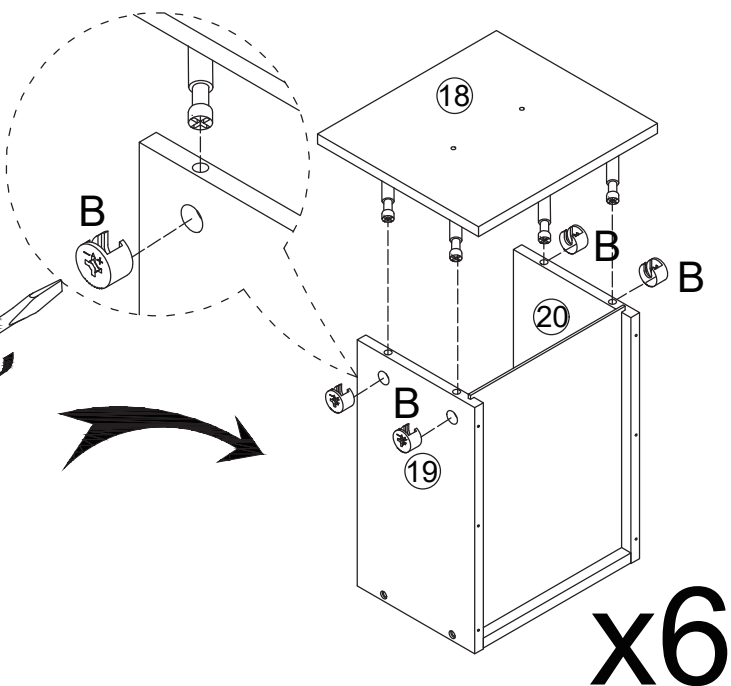
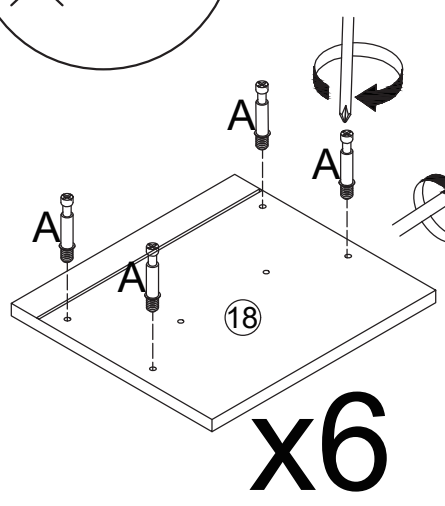
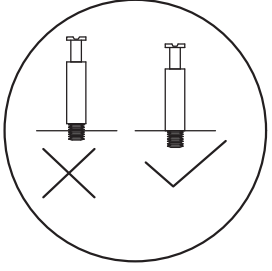
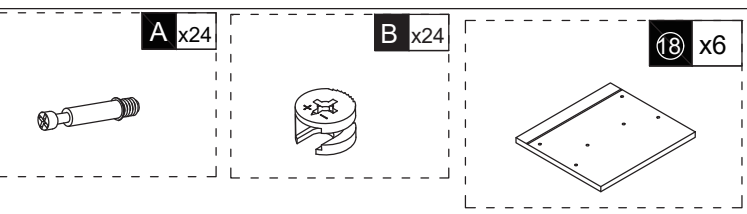
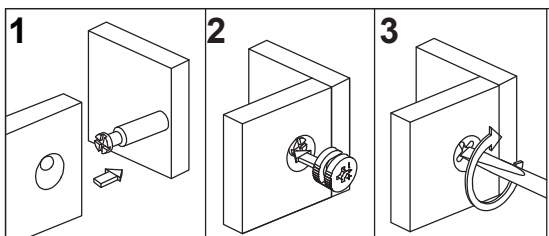
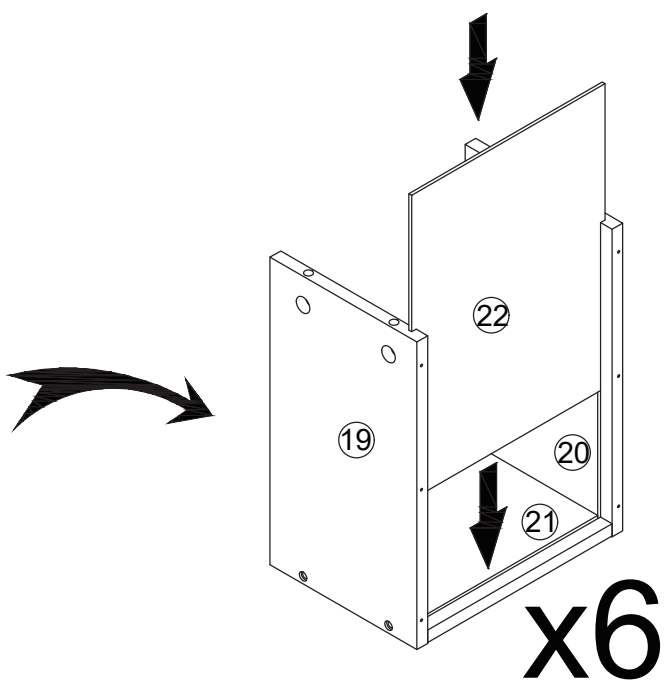
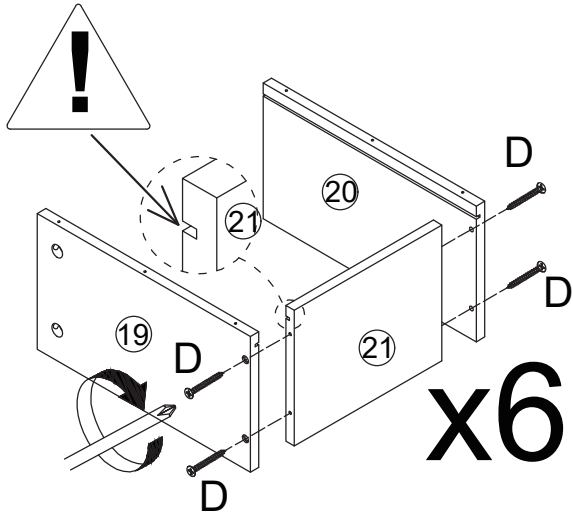
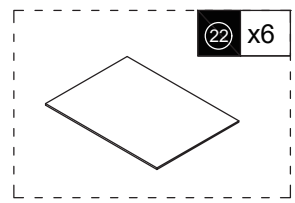
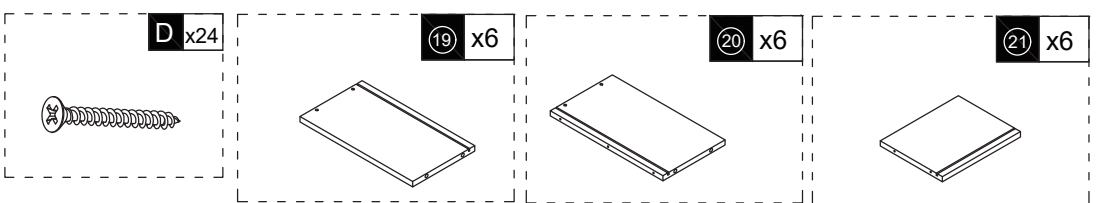
P



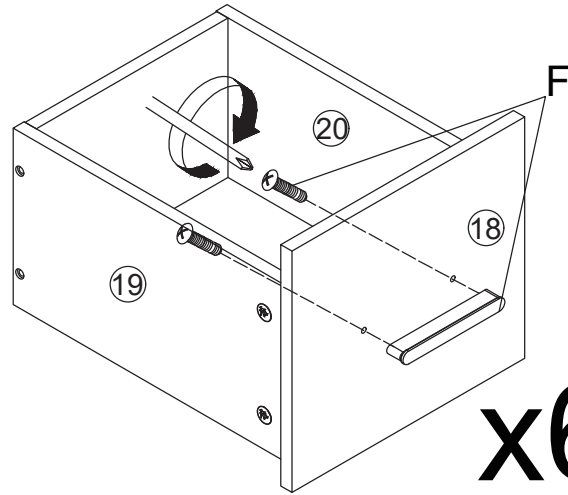
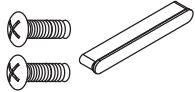
Please tear off the film on
the outside of the mirror.



Please place tempered glass No.3 in the
corresponding position on board No.2



F x6

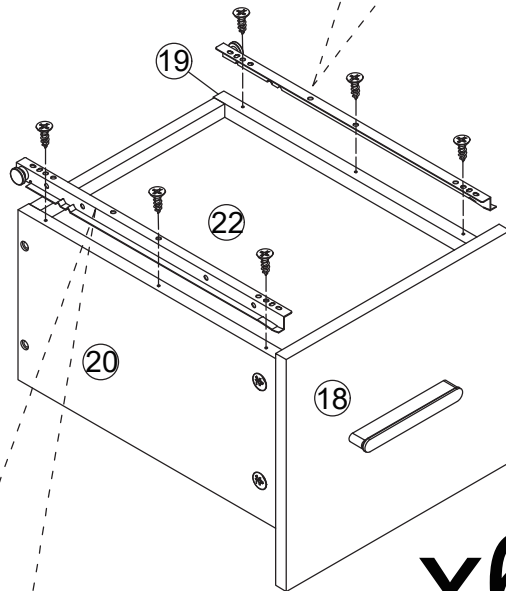
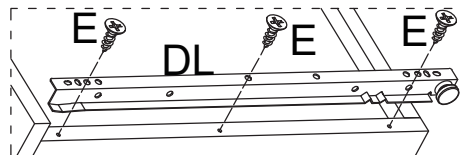


x6

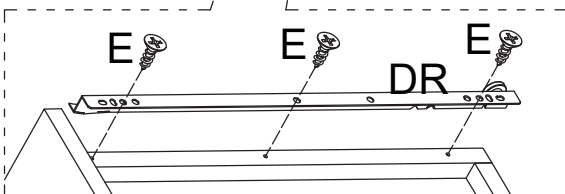
E x36

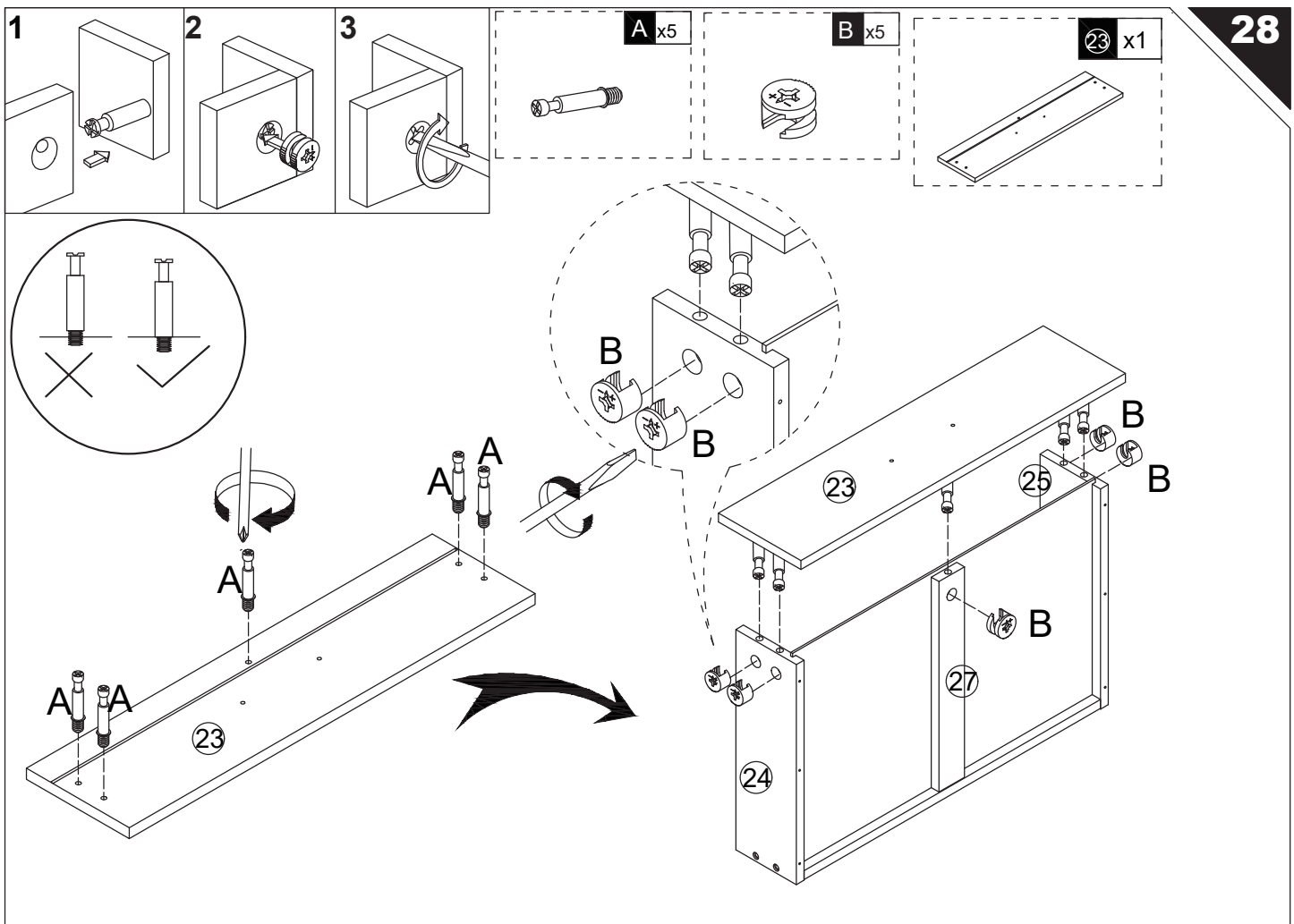
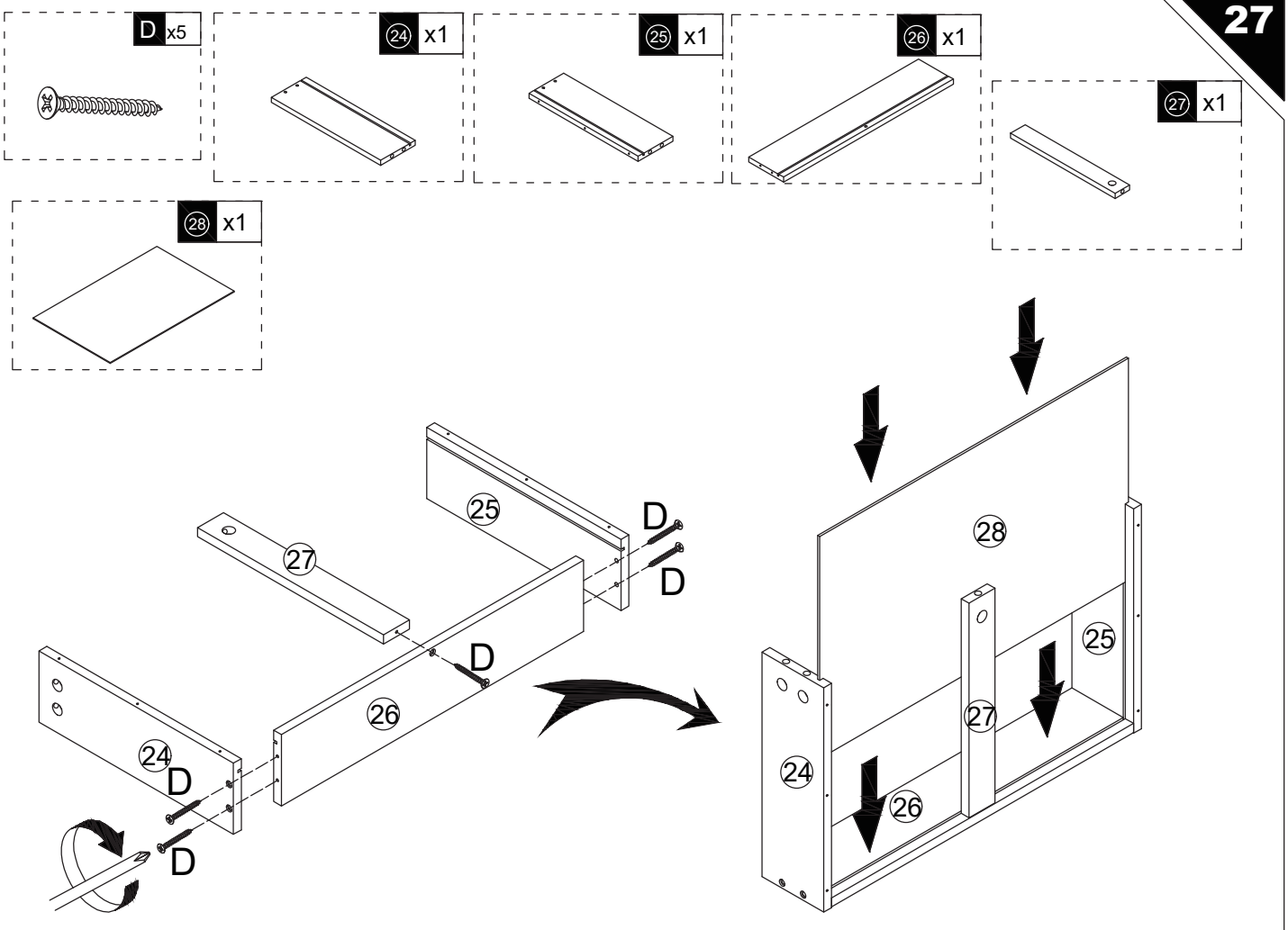
DL x6

DR x6

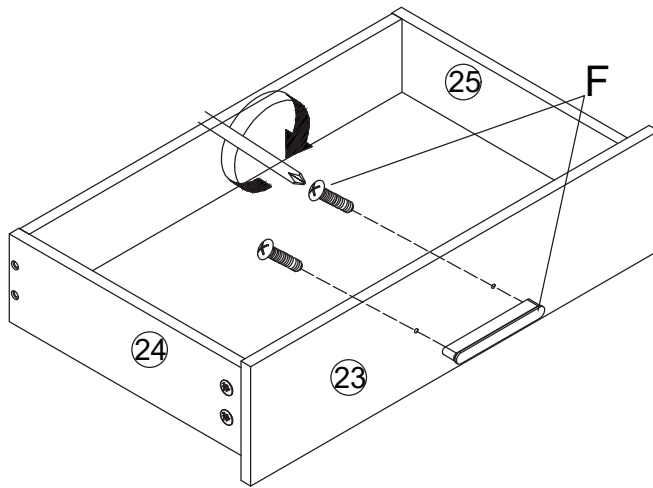
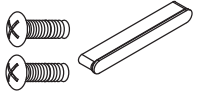


x6





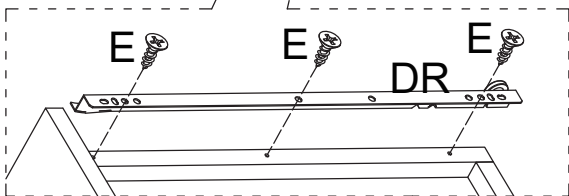
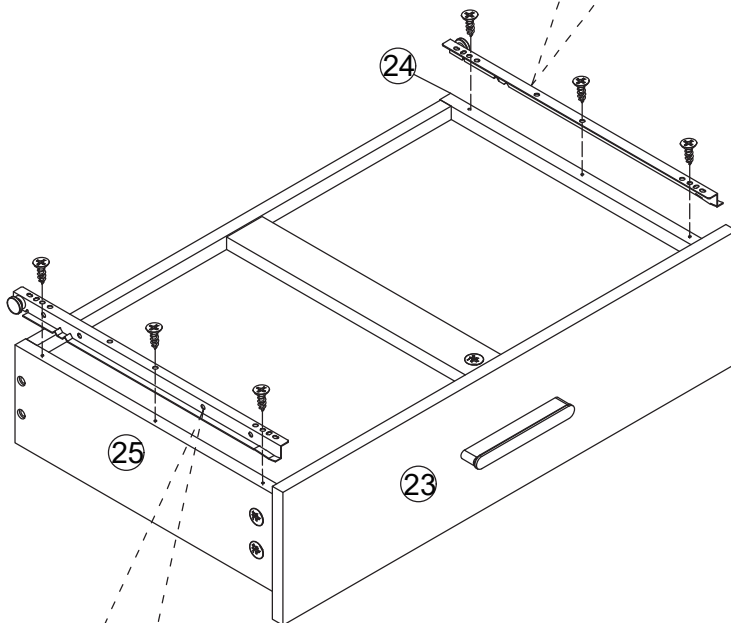
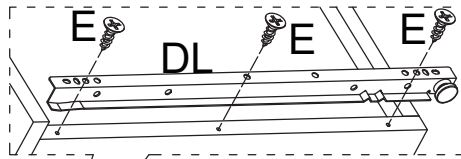
F x1

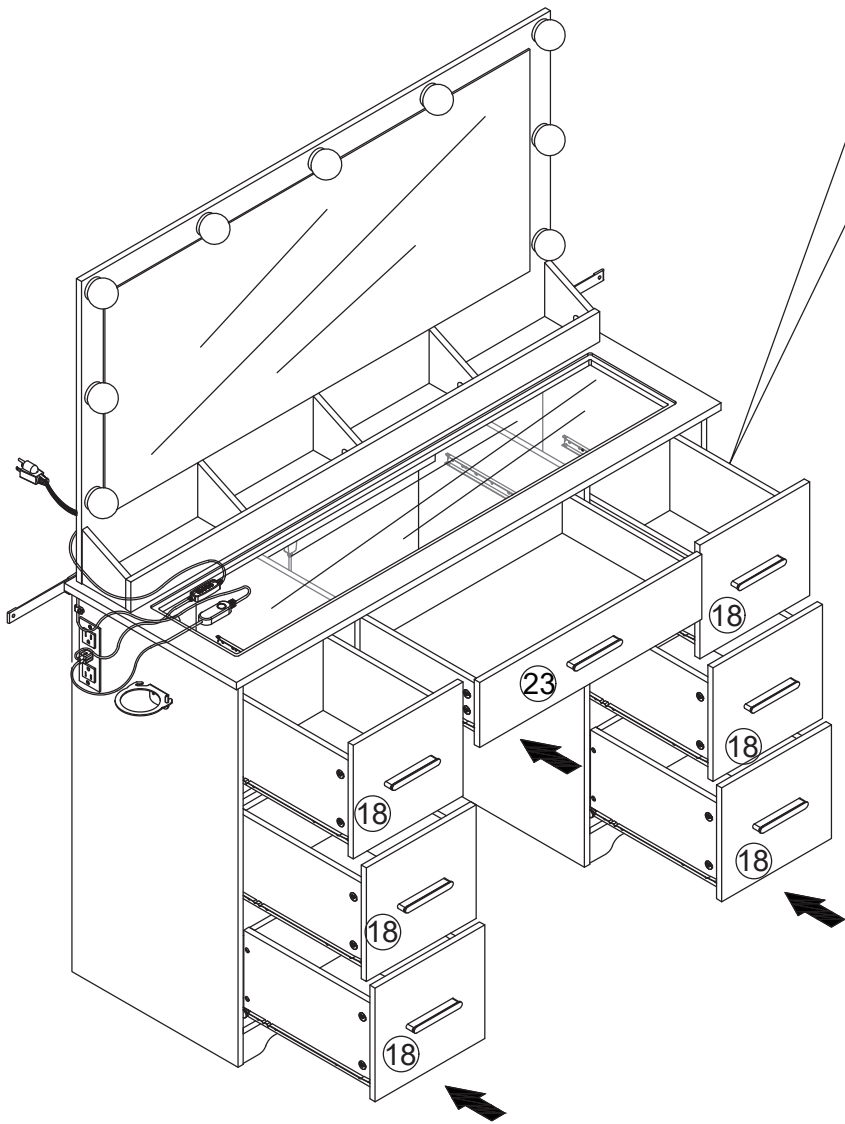
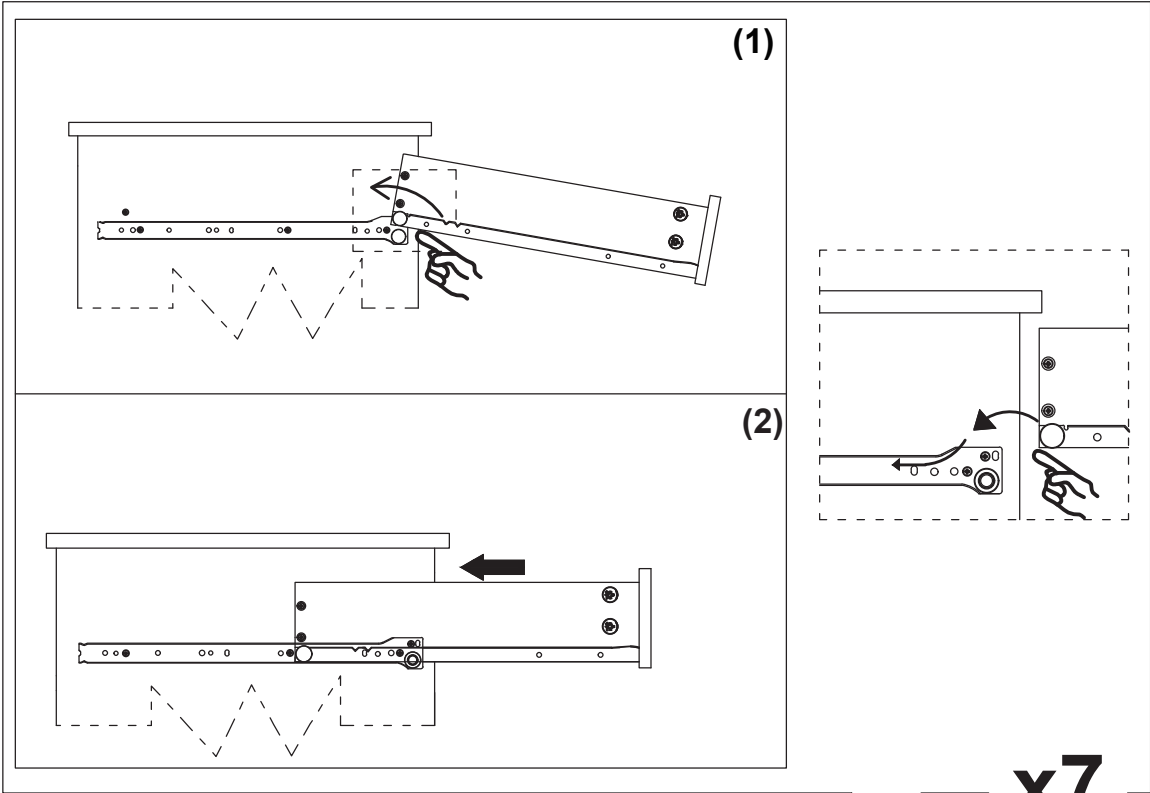


E x6

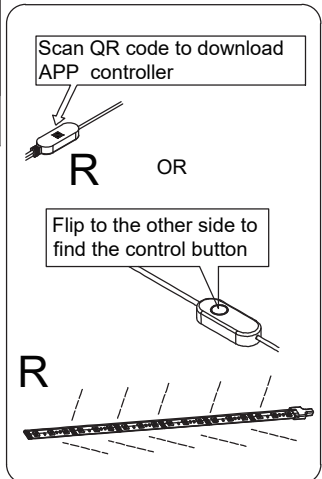
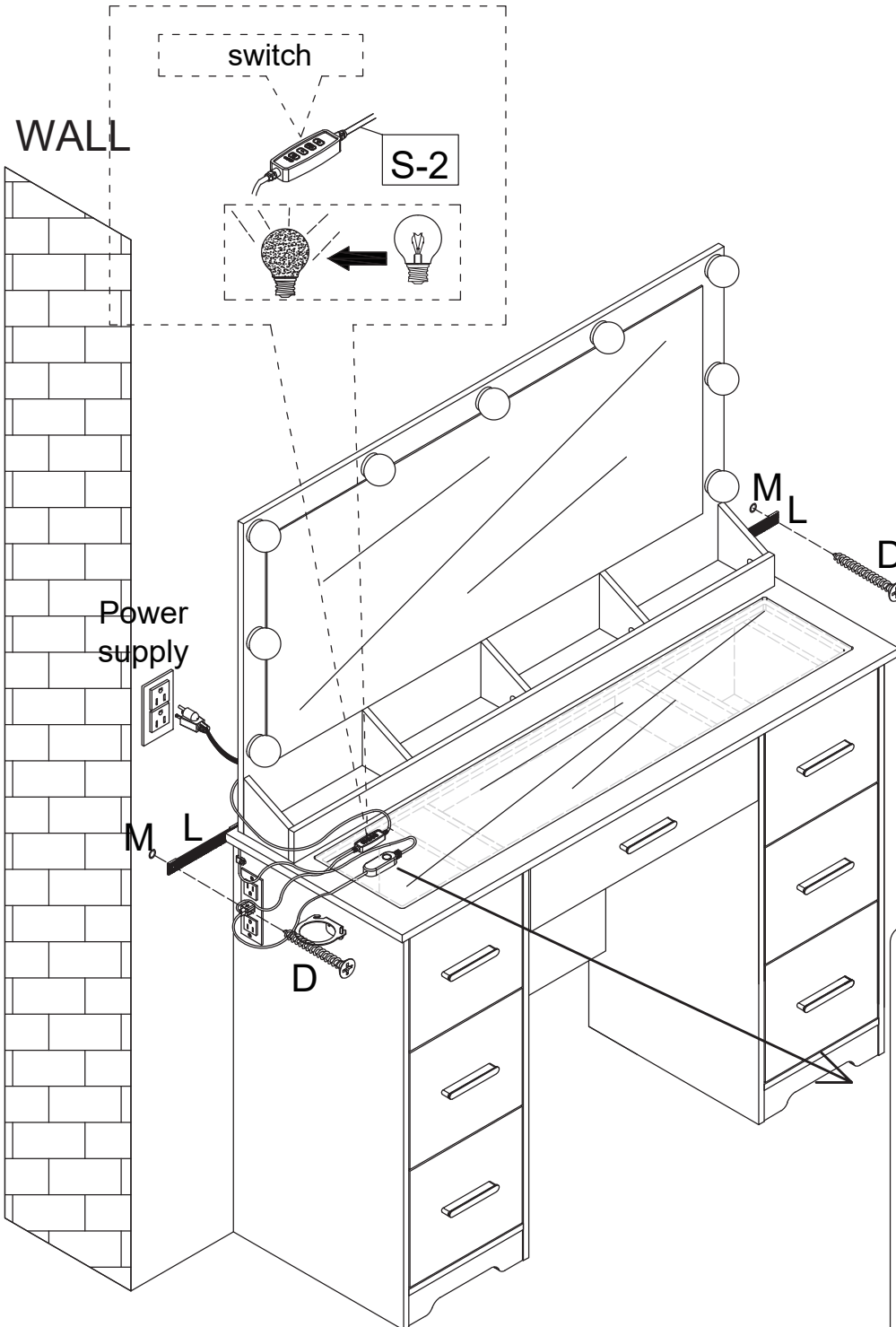
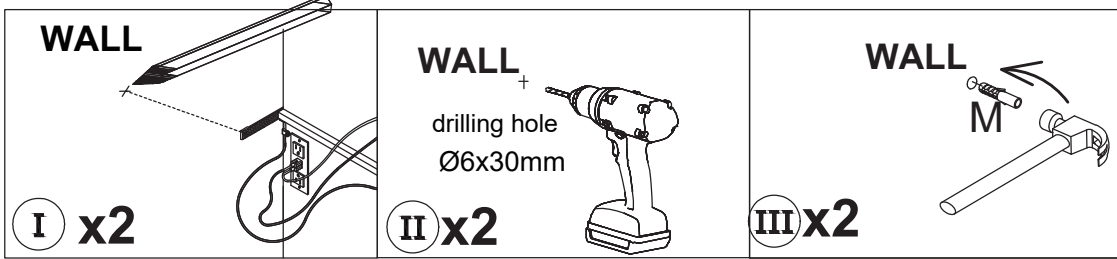
DL x1

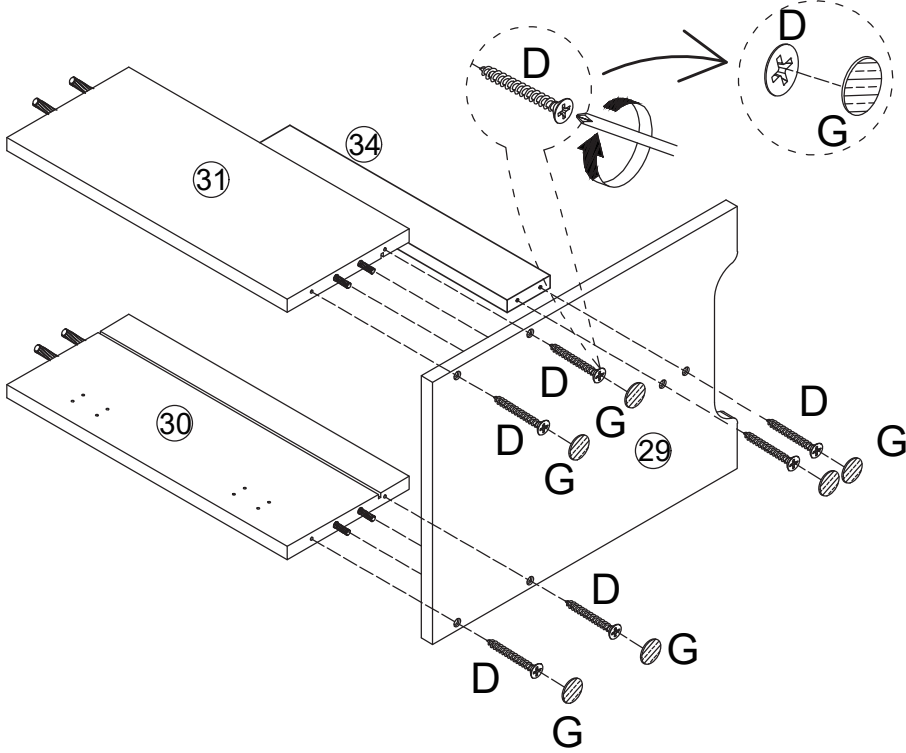
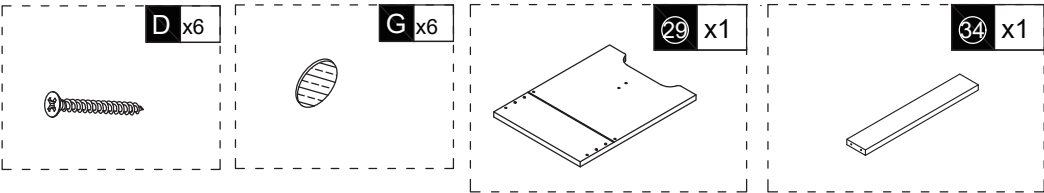
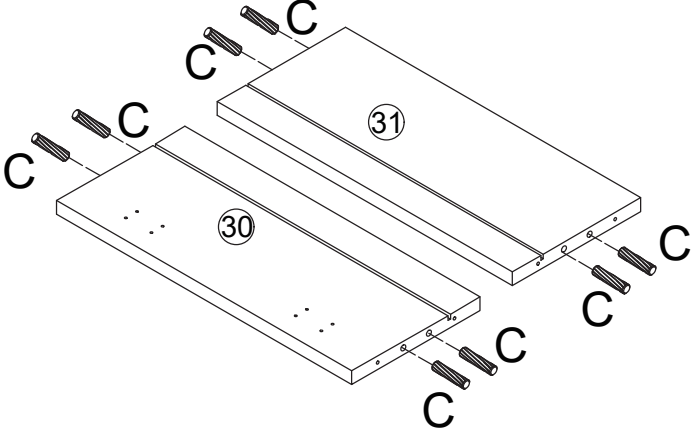
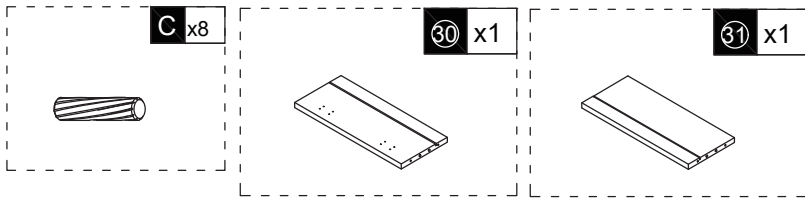
DR x1



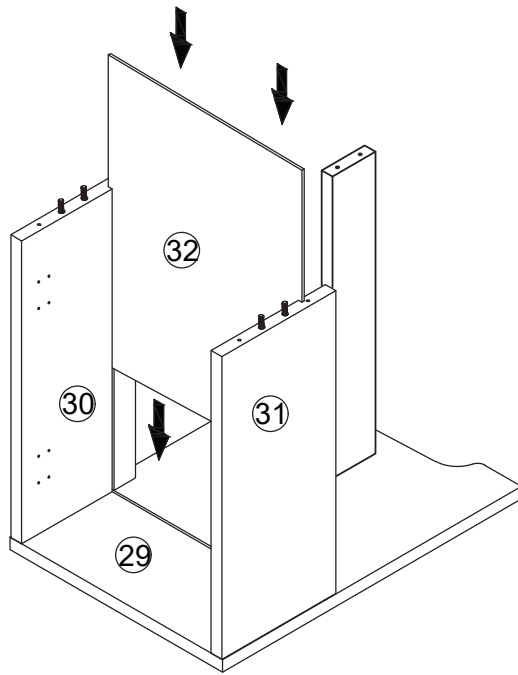
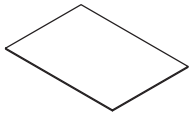


D x2 M x2





32 x1



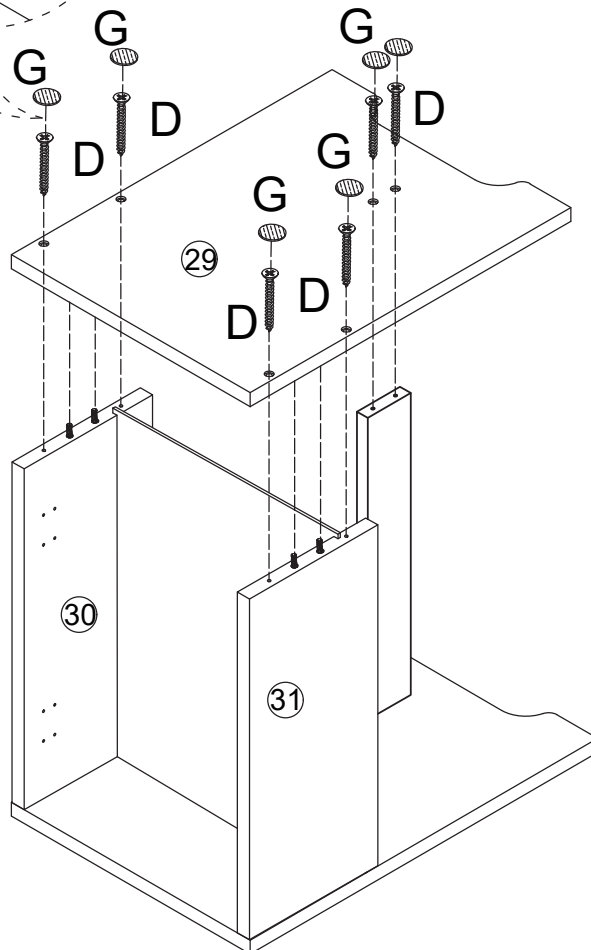
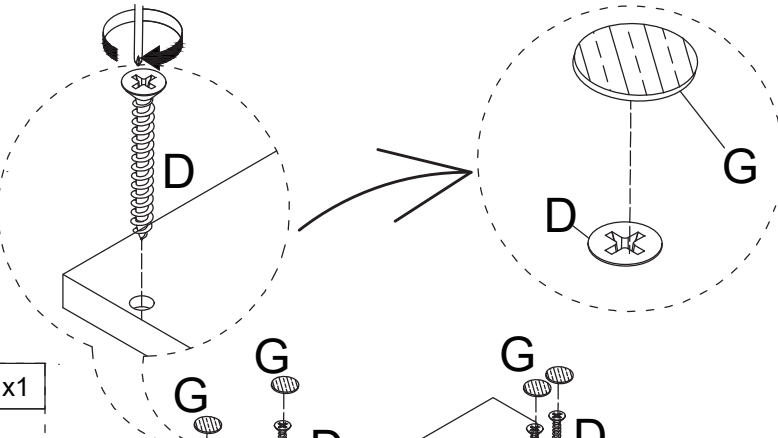
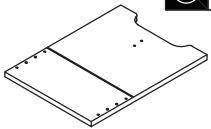
D x6

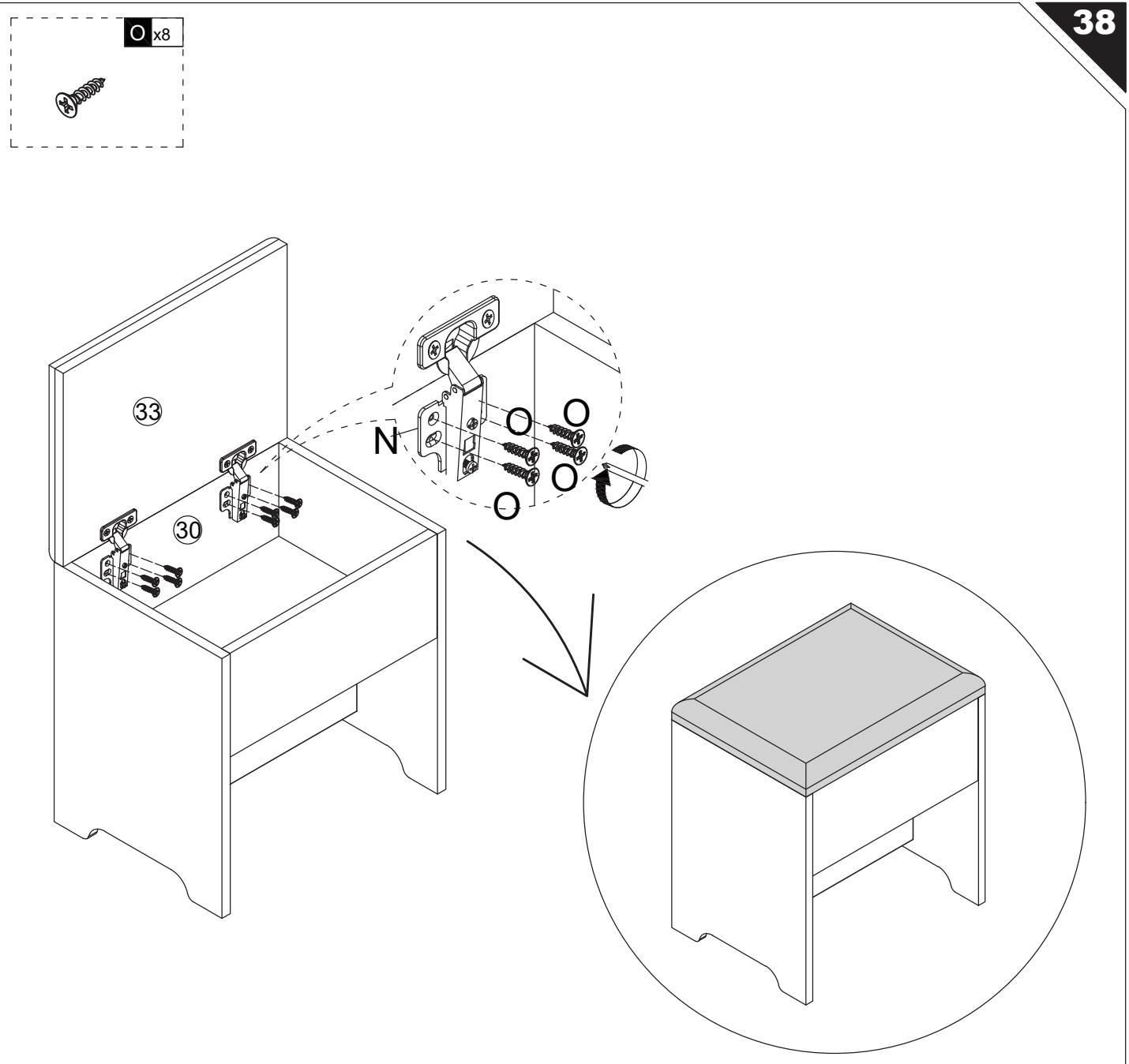
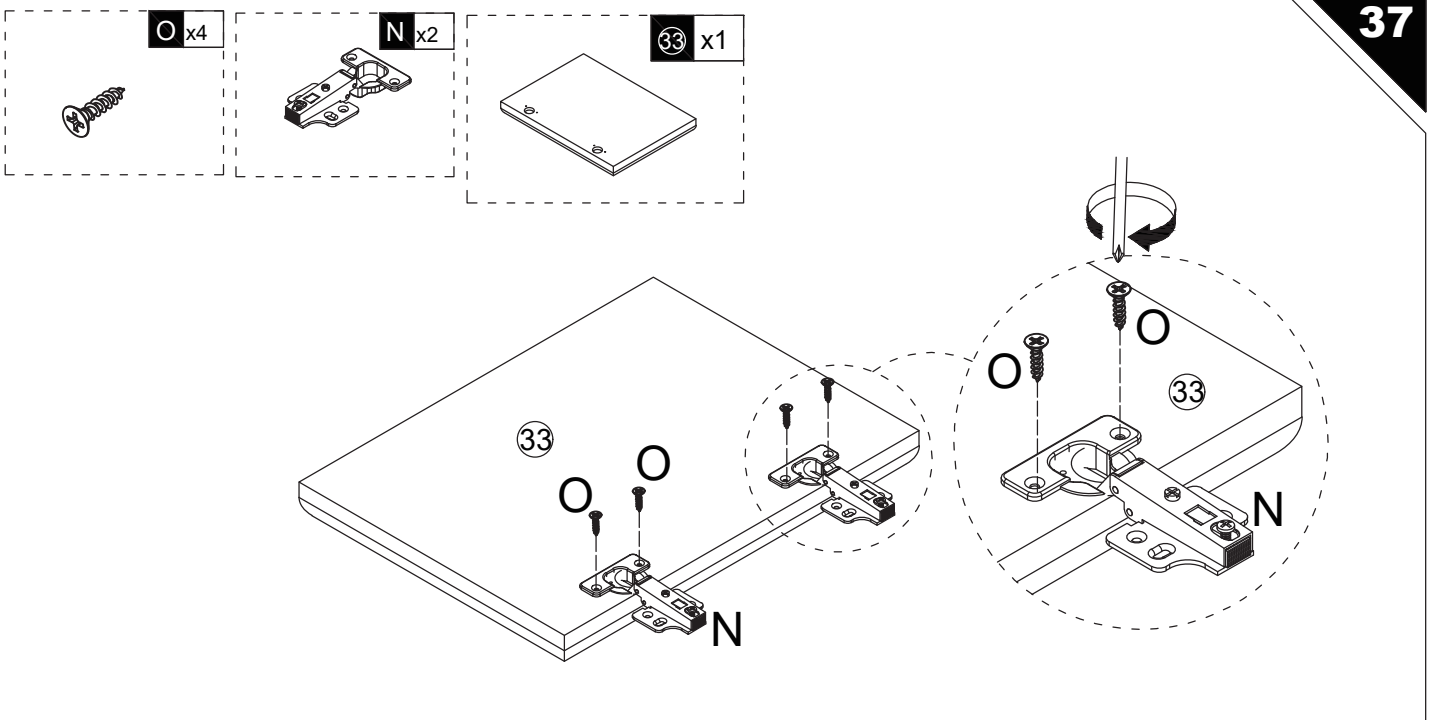


G x6



29 x1





WALL

