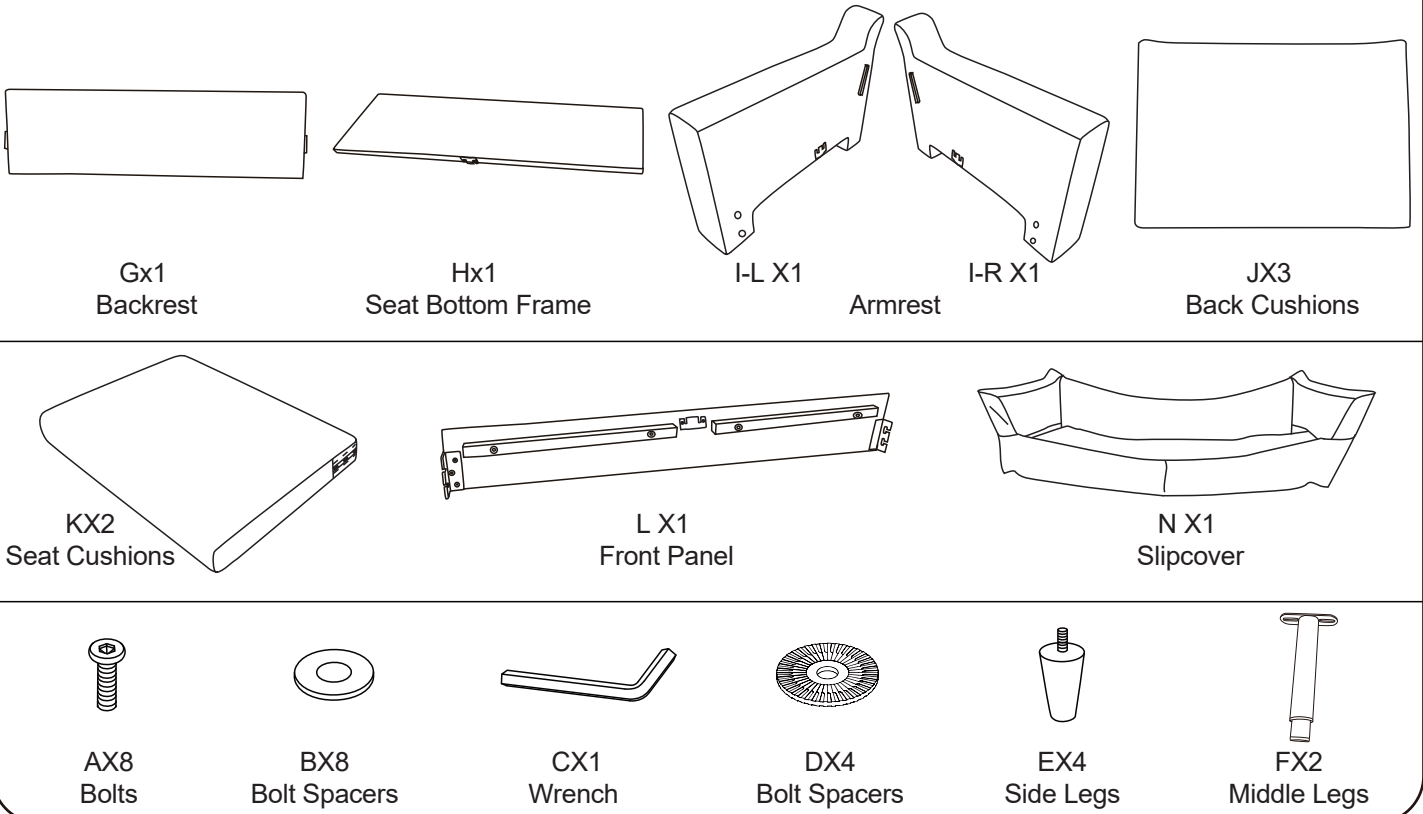


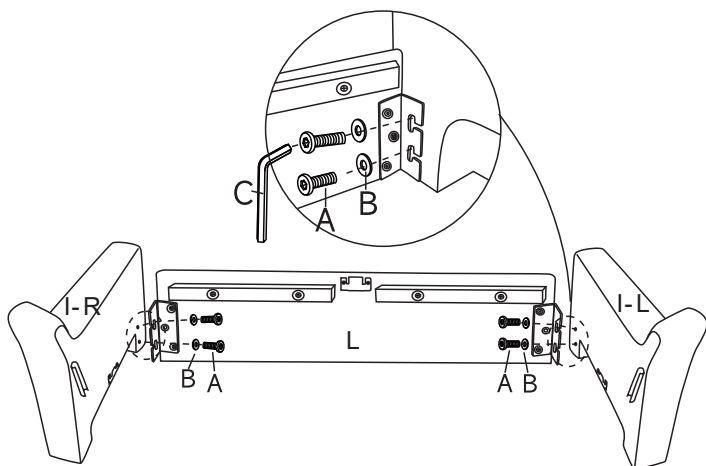
ASSEMBLY INSTRUCTION

PACKAGE LIST



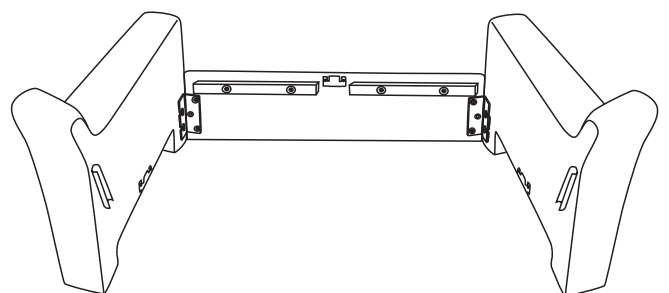
Step 1:

Use the wrench(C), connect the front panel (L) to the armrests, align the bolts (A) X4 and bolt spacers (B) X4 to the holes, tighten the 4 bolts to 100%.



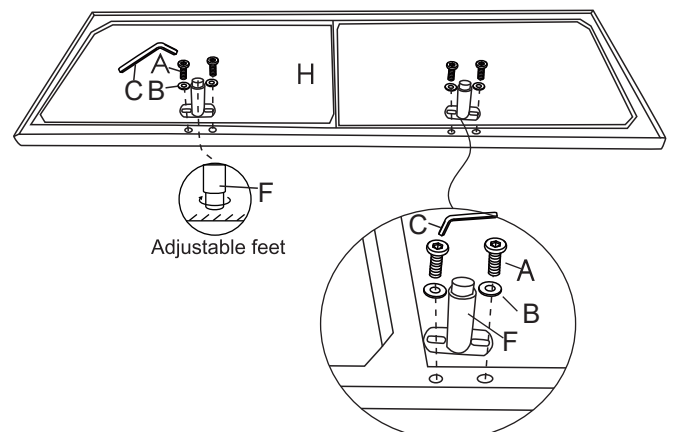
Step 2:

Put the front panel (L)X1 and the armrests on a level surface.



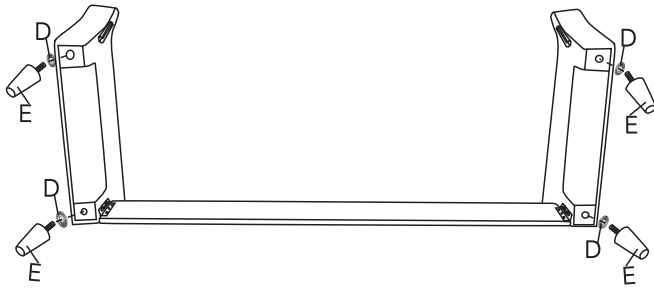
Step 3:

Use the wrench (C), align the bolts (A)X4 and bolt spacers (B)X4 to the holes on both side of the middle legs (F)X2, tighten the 4 bolts to 100%



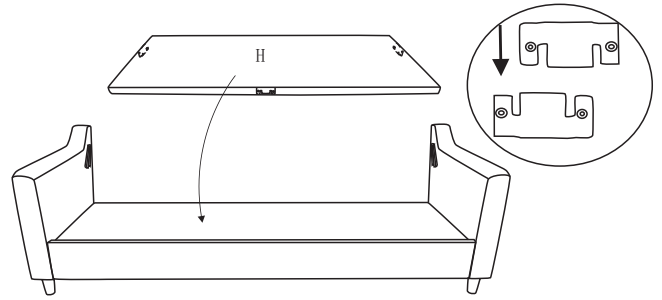
Step 4:

Attach the side legs and the leg pads of the left and right armrests, align side legs (E)X4 and the bolt spacers (D) X4 to the holes, tighten the side legs to 100%.



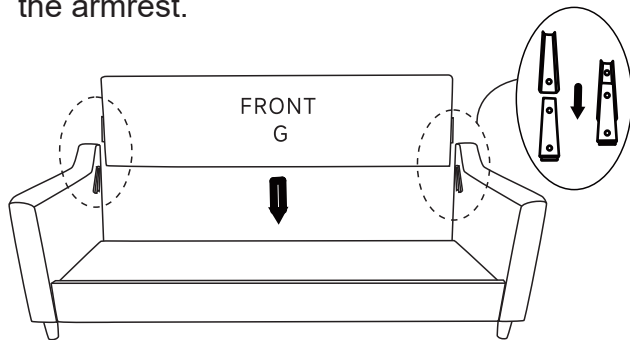
Step 5:

Connect the seat bottom frame (H)X1 to the front panel (L)X1, place the frame on a level and press around with your hands.



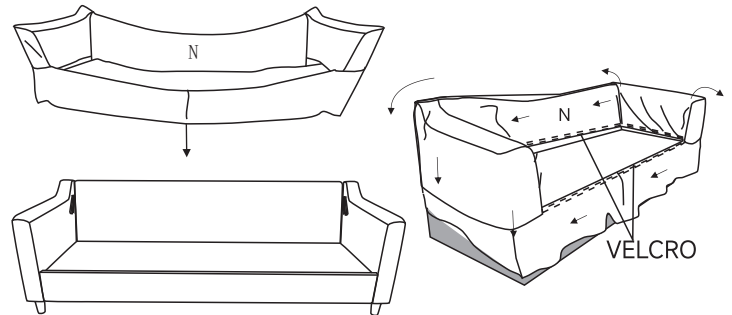
Step 6:

Connect the backrest and the armrest, insert the backrest (G)X1 to the armrest.



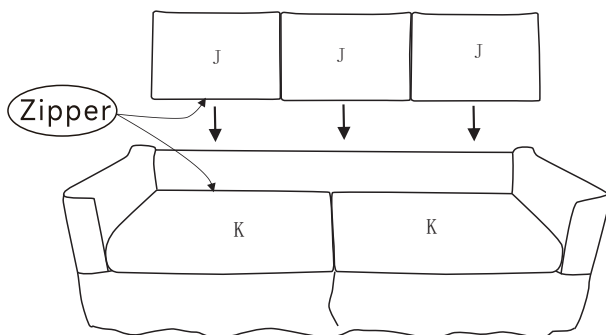
Step 7:

Velcro the slipcover (N)X1 on the frame of the sofa.



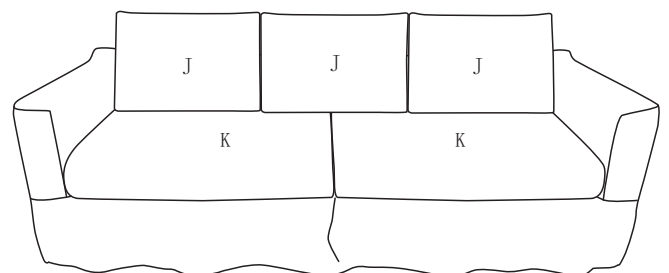
Step 8:

Insert the seat cushions (K)X2 and back cushions (J)X3.



Step 9:

Cushions need 48 hours to bounce back.



QUESTIONS? CONTACT US:

If in any case, you are not 100% happy with the item received, would you please contact us first and give us a chance to make it right for you? All of our products are covered by warranty and we will do our best to address any of your concerns. We are dedicated to your 100% satisfaction with your order.