










Assembly Instructions

Caution : You must read this before you proceed

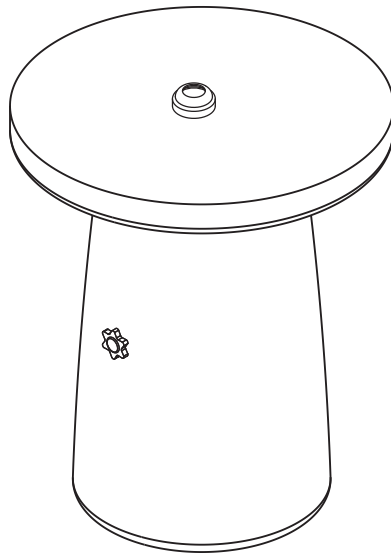
Care & Maintenance

- ⊘  ● Not for commercial use. For residential use only.
- ⊘  ● Do not put hot items directly on furniture surface.
- ⊘  ● Do not clean furniture with harsh cleansers or polish.
- ✓  ● To obtain the longest lifespan of your outdoor products, minimizing exposure to direct sunlight is recommended.
- ⊘  ● Children should not climb or jump on the furniture.
- ⊘  ● Do not write on furniture without a padded barrier to protect the surface.
- ✓  ● To obtain the longest lifespan of your outdoor products, avoid extended and lengthy exposure to rain, snow, and direct sunshine. Whenever possible cover the product and /or place under patio or awnings.
- ⊘  ● Stains may be removed with mild soap solution and damp cloth.
- ✓  ● Dust and pick-up spills using a clean, non-colored, lint-free cloth.

Please look in boxes for hardware packs.

Sets often ship in multiple boxes and may arrive a day or two apart.

Umbrella Base

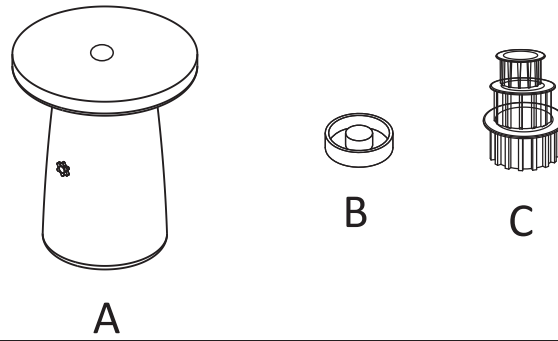


Parts List

Label	Picture	Description	QTY
A		Umbrella Base	1
B		Plastic Plug (Pre-installed to the Base)	1
C		Adapters (For 32mm & 38mm & 48mm Pole)	1

Assembly Preparation

Before Beginning Assembly :



• Read instructions, cover to cover-



• Have 2 adults on hand for assembly-



• Do not assemble on flooring or carpet-



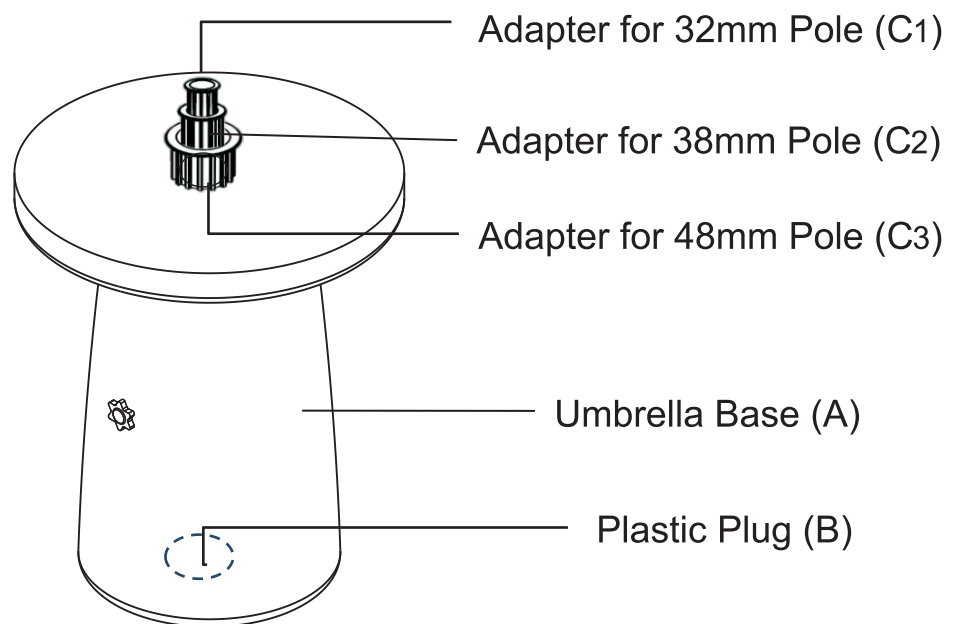
• Assemble on a clean non-marring surface (packing foam)-



• Save all packaging until finished-

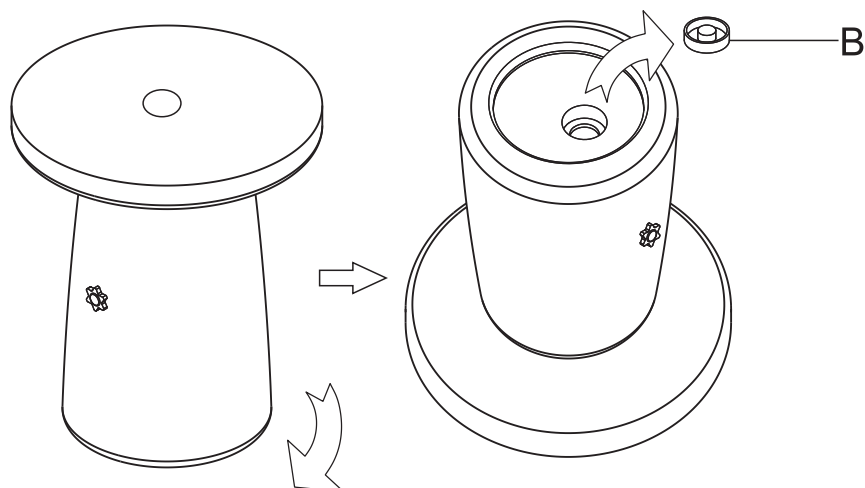
Assembly Steps

Overview



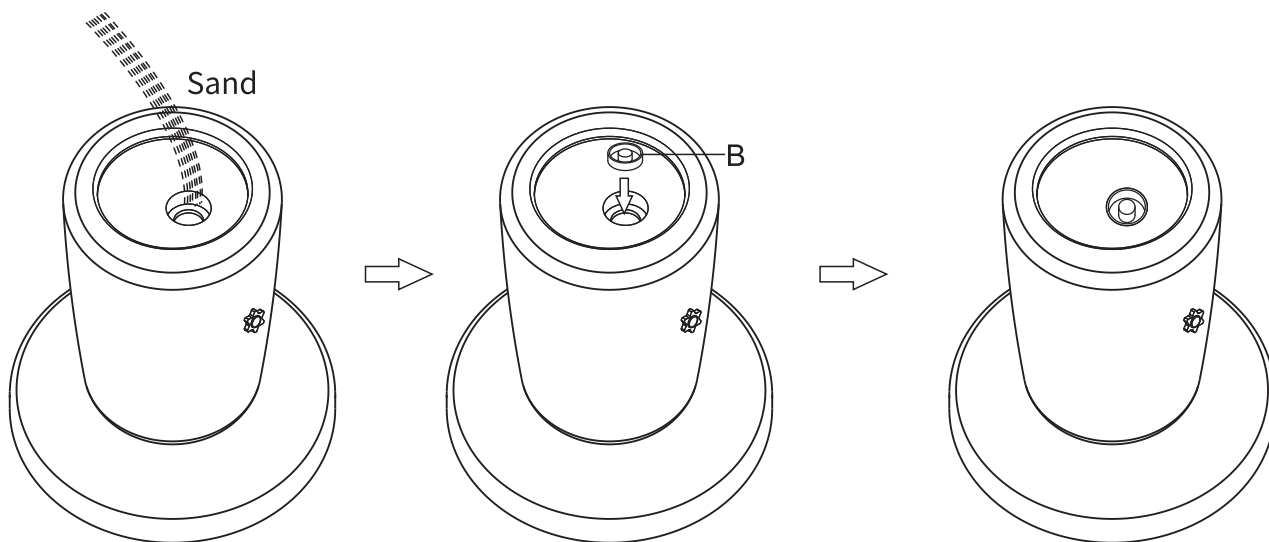
This Umbrella Base has multiple parts and may require up to 10 minutes to assemble. To give you an overview of the Umbrella Base parts, the above picture is to help you put the various parts into perspective. Please read through the instructions below to familiarise yourself with the parts and steps before assembly.

Step 1



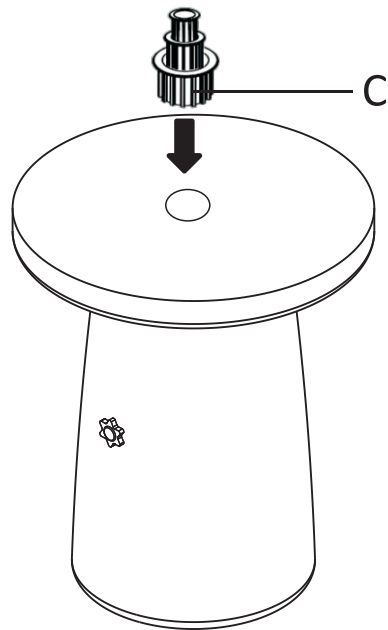
Open the carton, and place all parts on a clean, non-marring surface.
Turn the umbrella base over, and remove the Plastic Plug (B).

Step 2



Pour sand into the hole of the umbrella base until it is full.
Then cover the hole with Plastic Plug (B).

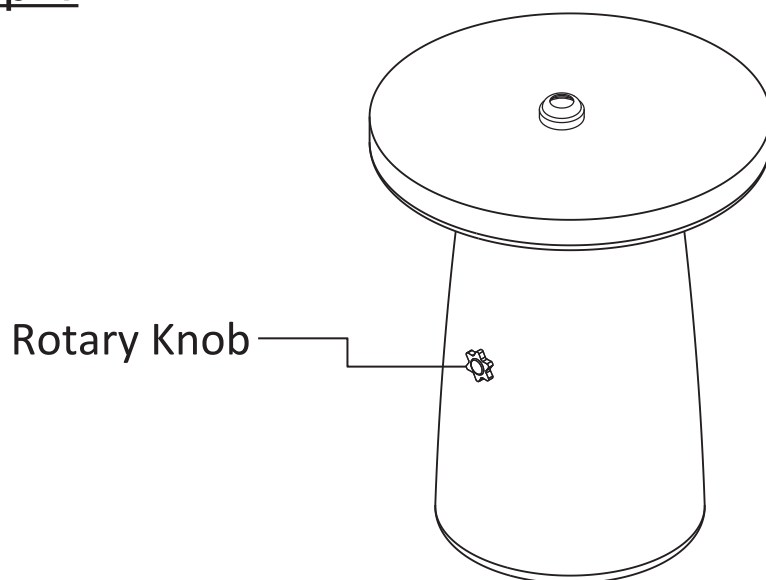
Step 3



With the assistance of your adult partners, stand the umbrella base upright.

Insert the Adapters (C) into the hole as shown.

Step 4



Your umbrella base is ready for use.

This Umbrella Base only be used on a flat, level surface.

Operation Instruction

For Umbrella Pole with 32mm diameter:

Put all adapters into the base, then insert your 32mm umbrella pole. Tighten the rotary knob on the base securely to your umbrella pole

The Umbrella Base is ready for use.

This Umbrella Base only be used on a flat, level surface.

For Umbrella Pole with 38mm diameter:

Pull out the 32mm adapters, and then insert your 38mm umbrella pole. Tighten the rotary knob on the base securely to your umbrella pole.

The Umbrella Base is ready for use.

This Umbrella Base only be used on a flat, level surface.

For Umbrella Pole with 48mm diameter:

Pull out the 32mm and 38mm adapters, leave the 48mm adapter in place, and then insert your 48mm umbrella pole.

Tighten the rotary knob on the base securely to your umbrella pole.

The Umbrella Base is ready for use.

This Umbrella Base only be used on a flat, level surface.

Questions & Answers about Proposition 65

- What is Proposition 65?

Proposition 65 requires businesses to provide warnings to Californians about significant exposures to chemicals that cause cancer, birth defects or other reproductive harm. These chemicals can be in the products that Californians purchase, in their homes or workplaces, or that are released into the environment. By requiring that this information be provided, Proposition 65 enables Californians to make informed decisions about their exposures to these chemicals.

Proposition 65 also prohibits California businesses from knowingly discharging significant amounts of listed chemicals into sources of drinking water.

Proposition 65 requires California to publish a list of chemicals known to cause cancer, birth defects or other reproductive harm. This list, which must be updated at least once a year, has grown to include approximately 900 chemicals since it was first published in 1987.

- What types of chemicals are on the Proposition 65 list?

The list contains a wide range of naturally occurring and synthetic chemicals that include additives or ingredients in pesticides, common household products, food, drugs, dyes, or solvents. Listed chemicals may also be used in manufacturing and construction, or they may be byproducts of chemical processes, such as motor vehicle exhaust.

- What does a warning mean?

If a warning is placed on a product label or posted or distributed at a workplace, a business, or in rental housing, the business issuing the warning is aware or believes that it is exposing individuals to one or more listed chemicals.

By law, a warning must be given for listed chemicals unless the exposure is low enough to pose no significant risk of cancer or is significantly below levels observed to cause birth defects or other reproductive harm.

- Where can I get more information on Proposition 65?

If you have specific questions on the administration or implementation of Proposition 65, you can contact OEHHA's Proposition 65 program at P65.Questions@oehha.ca.gov, or by phone at (916) 445-6900.