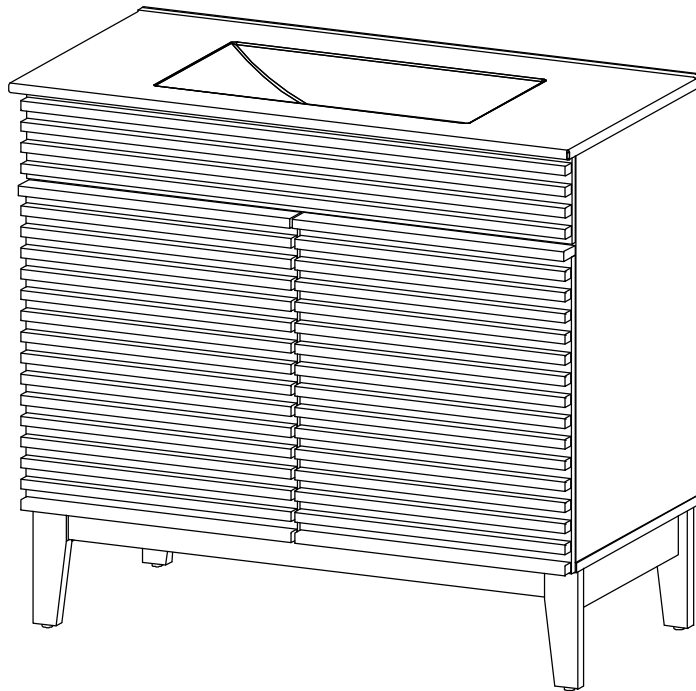


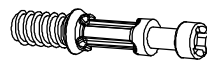


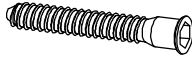


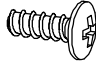




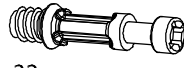
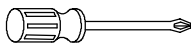
## CABINET

Thank you for purchasing the **CABINET** !Before you start, here are some helpful advice:

1. We suggest you spend a short time reading through this leaflet and then follow the simple step-by-step instructions.
2. Owing to the size and weight of the Cabinet, we recommend that it is assembled by two adults, on a carpeted or padded area, in the room that it is intended for. Approximate assembly time: 70 minutes.
3. Please do not use any tools other than those provided or recommended in these instructions.
4. Please do not throw away any of the packaging or instructions until you have checked all the components and hardware and the furniture is fully assembled.
5. Assemble all components loosely until advised to tighten. Depending on use, it may be necessary to tighten the components from time to time, so please save the tools that have been provided.
6. Please keep all pieces out of reach of children.

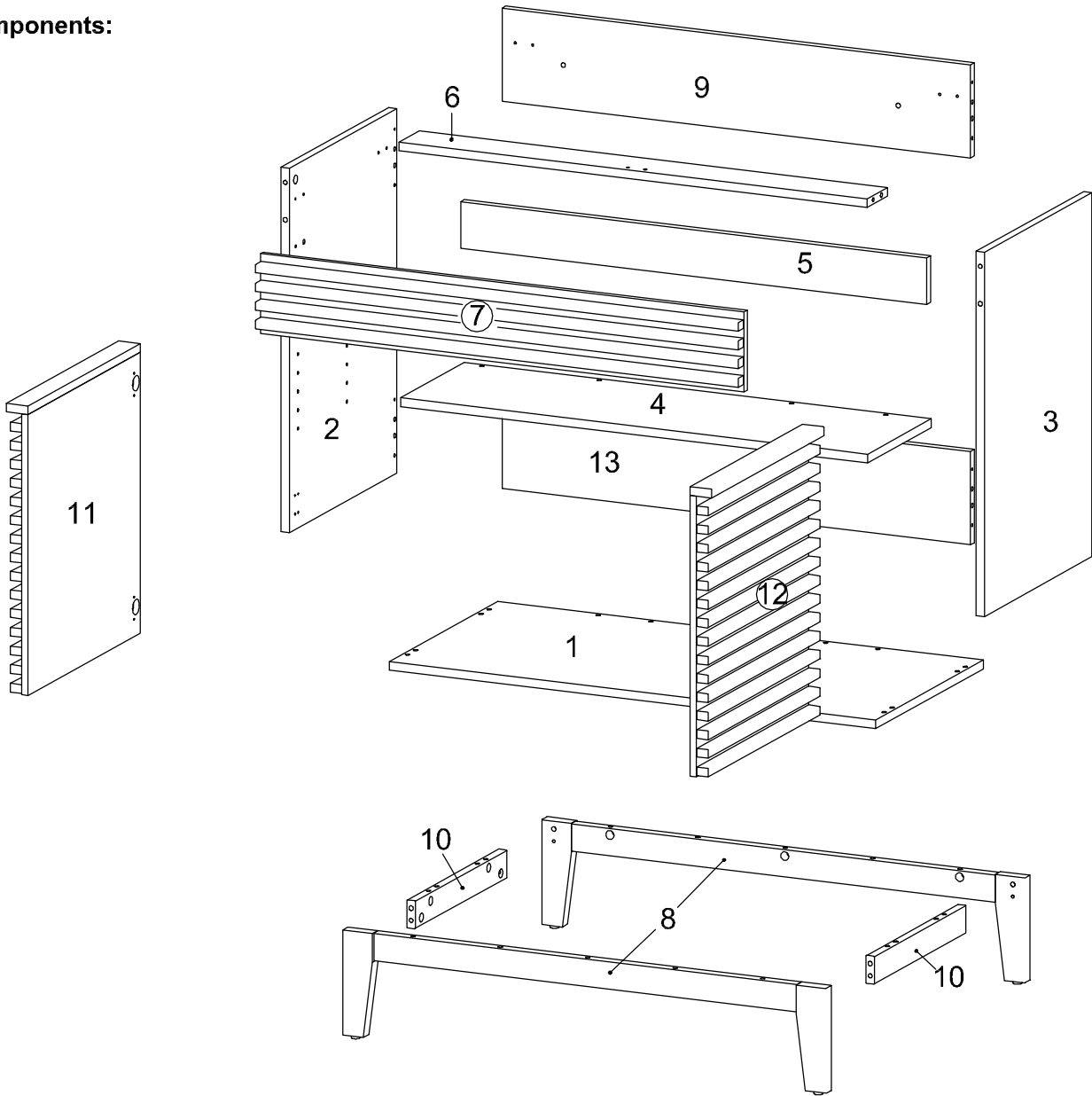


### Hardware :

|  |   |  |  |   |
|--|---|--|--|---|
| <b>A)</b> Cambolt Big/Metal<br><br>$\varnothing$ 6 x 35 mm x 24 | <b>B)</b> CamLock /Metal<br><br>$\varnothing$ 15 mm x 26         | <b>C)</b> Dowel /Wood<br><br>$\varnothing$ 8x30 mm x 32 | <b>D)</b> Screw/Metal<br><br>M 7 x 50 mm x 8 | <b>E)</b> Hex/Allen Key/Metal<br><br>L 4 x 1 |
| <b>F)</b> Hinge set/Metal<br><br>x 4                            | <b>G)</b> Screw/Metal<br><br>M 4.5 x 12.5 mm x 44                | <b>H)</b> Shelf Support/Metal<br><br>x 4                | <b>I)</b> Bracket/Metal<br><br>x 4           | <b>J)</b> Bracket/Metal<br><br>x 1           |
| <b>K)</b> Floor Protector/Sponge/Felt<br><br>25 x 15 x 2 mm x 8 | <b>L)</b> Cambolt Small/Metal<br><br>$\varnothing$ 6 x 32 mm x 2 | <b>M)</b> x 1<br><br>Screwdriver (Not Include)          |  |   |

# CABINET

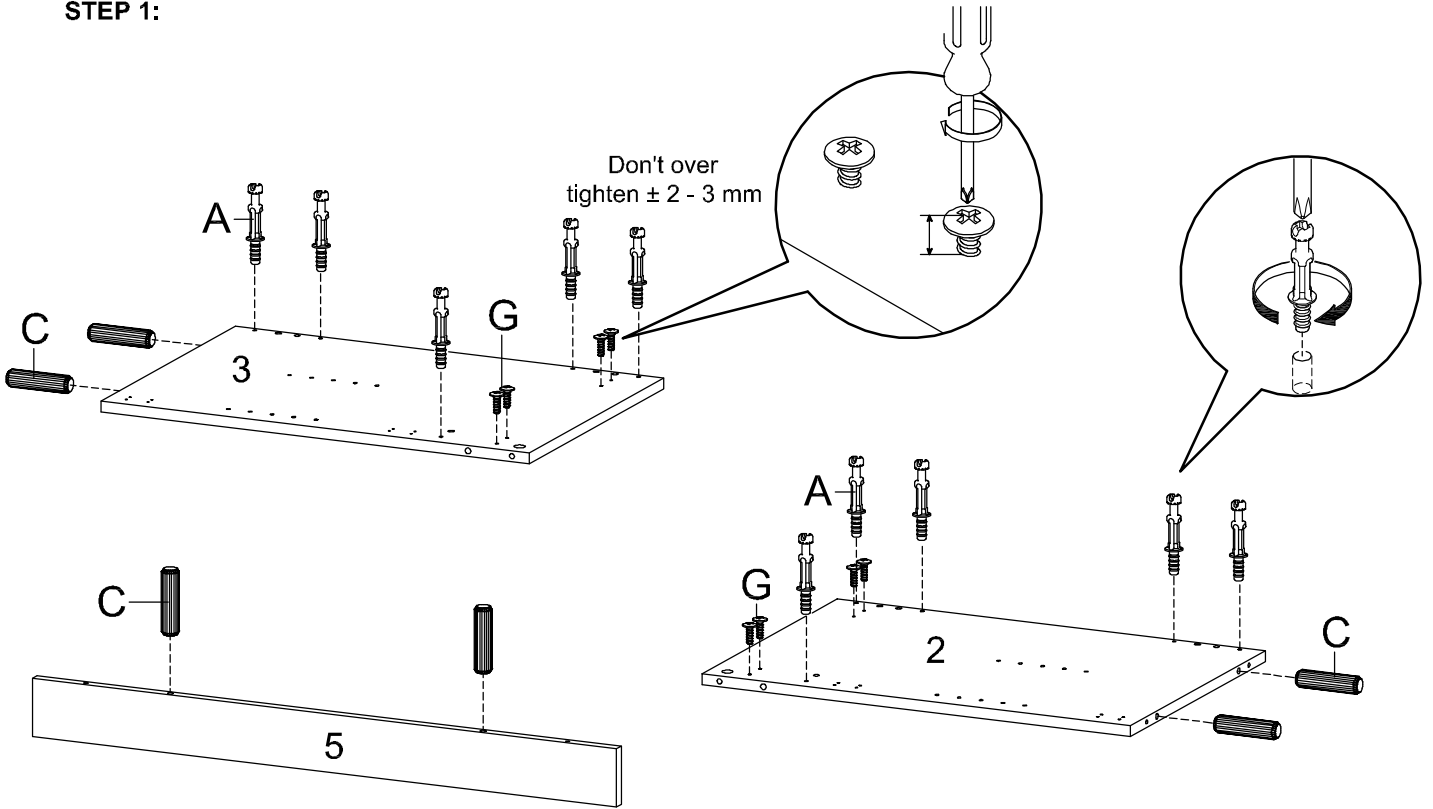
## Components:




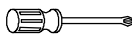


|    |                  |    |    |                 |    |    |                  |    |
|----|------------------|----|----|-----------------|----|----|------------------|----|
| 1  | Bottom Board     | x1 | 2  | Side Board Left | x1 | 3  | Side Board Right | x1 |
| 4  | Adjustable Shelf | x1 | 5  | Support Board 1 | x1 | 6  | Support Board 2  | x1 |
| 7  | Front Skirt      | x1 | 8  | Assembly Leg    | x2 | 9  | Back Board 1     | x1 |
| 10 | Support Leg      | x2 | 11 | Frame Door Left | x1 | 12 | Frame Door Right | x1 |
| 13 | Back Board 2     | x1 |    |                 |    |    |                  |    |

# CABINET

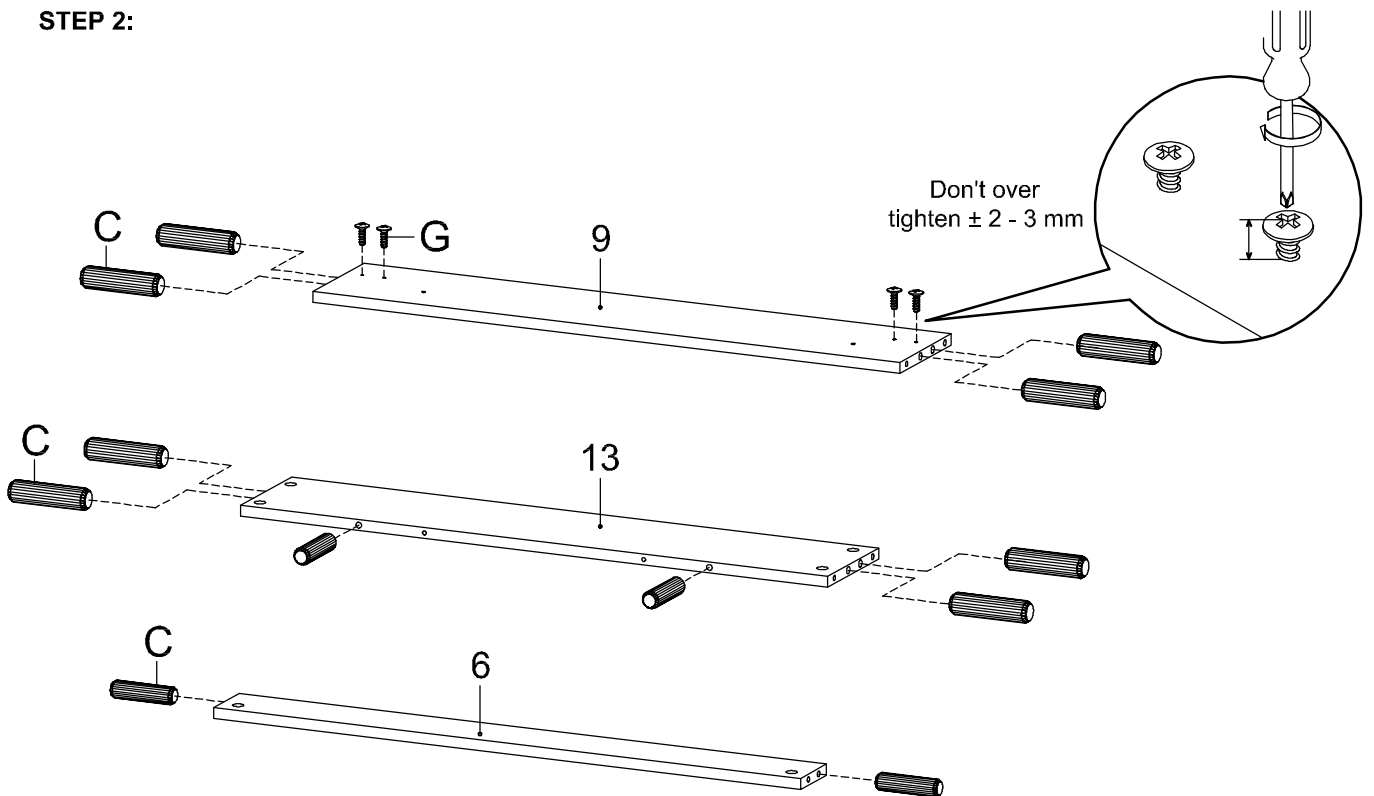
## STEP 1:



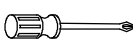


|   |   |   |   |
|---|---|---|---|
|  |  |  |  |
| A x 10  | C x 6   | G x 8   | M x 1   |

Hardware required.  
Screwdriver not included

## STEP 2:

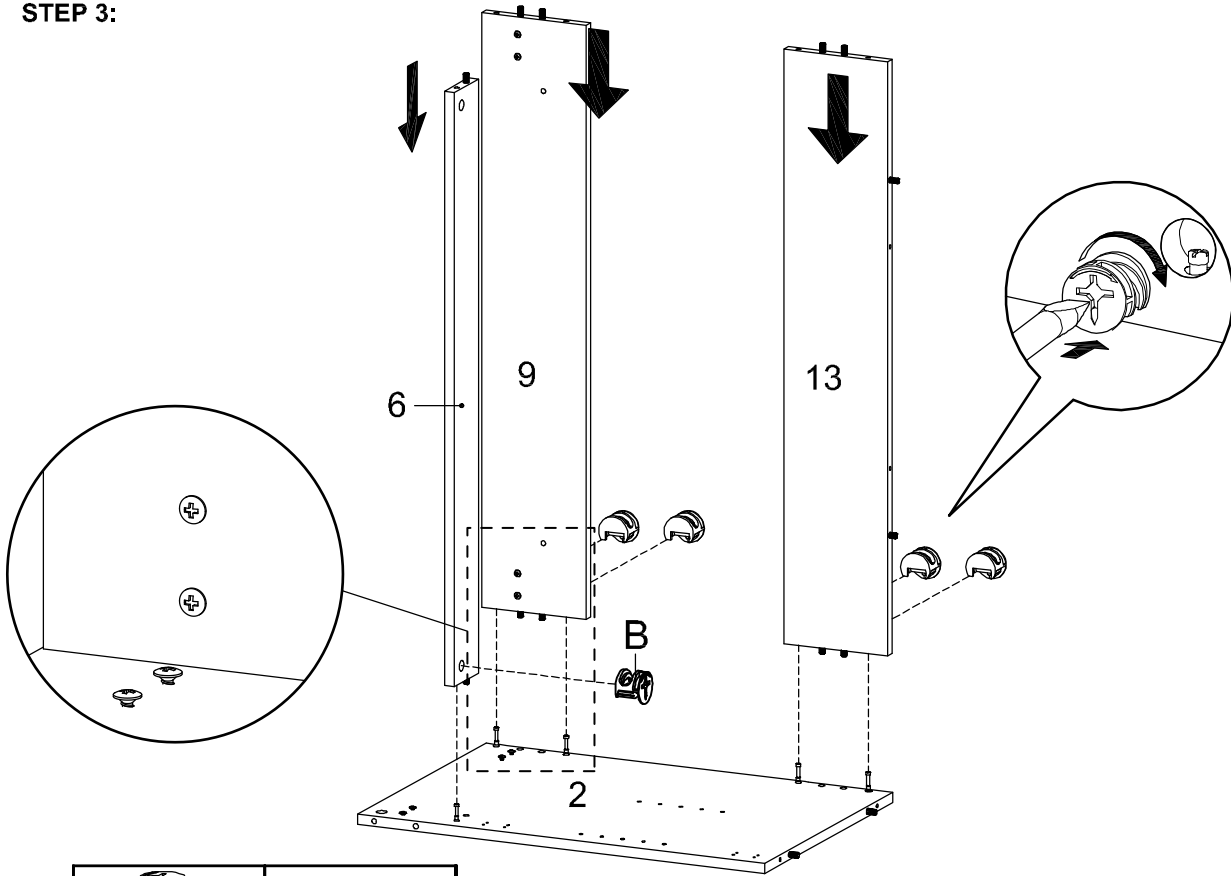



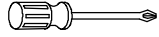
|   |   |   |
|---|---|---|
|  |  |  |
| C x 12  | G x 4   | M x 1   |

Hardware required.  
Screwdriver not included

# CABINET

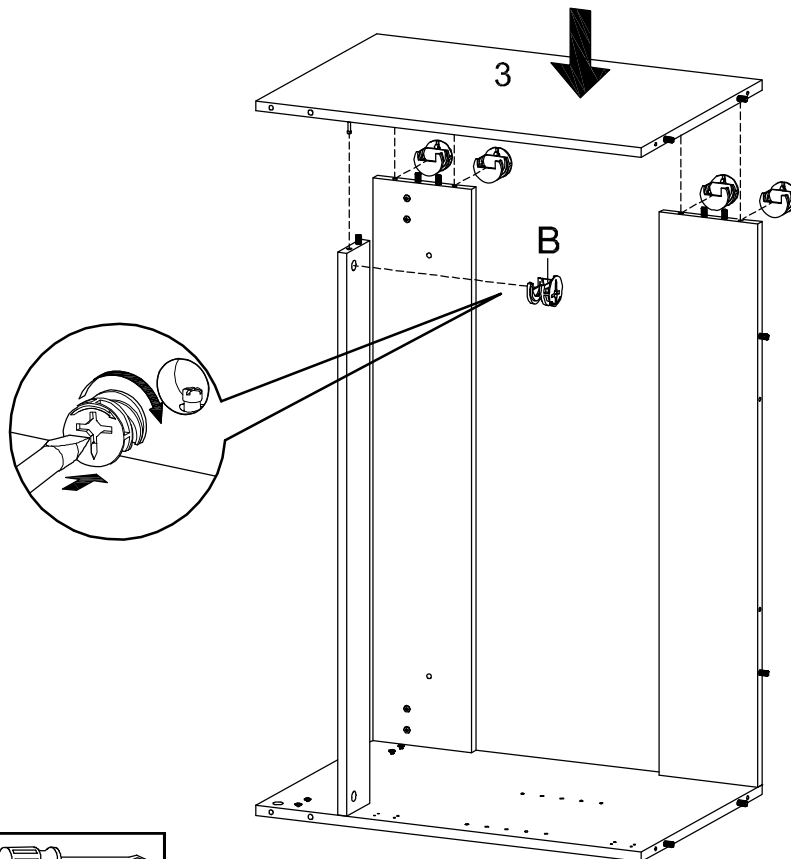
## STEP 3:


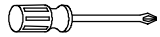


|   |   |
|---|---|
|  |  |
| B x 5   | M x 1   |

Hardware required.  
Screwdriver not included

## STEP 4:

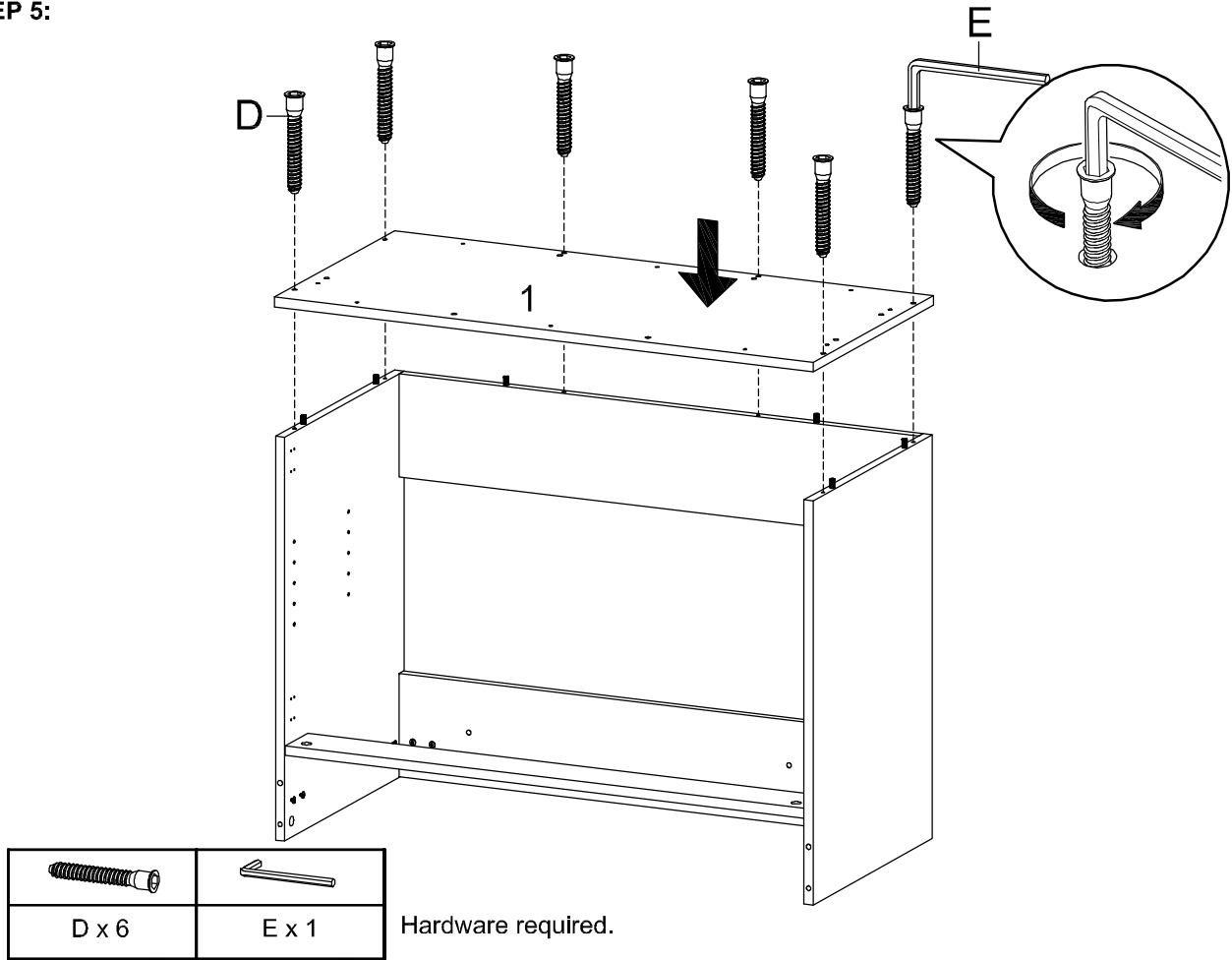


|   |   |
|---|---|
|  |  |
| B x 5   | M x 1   |

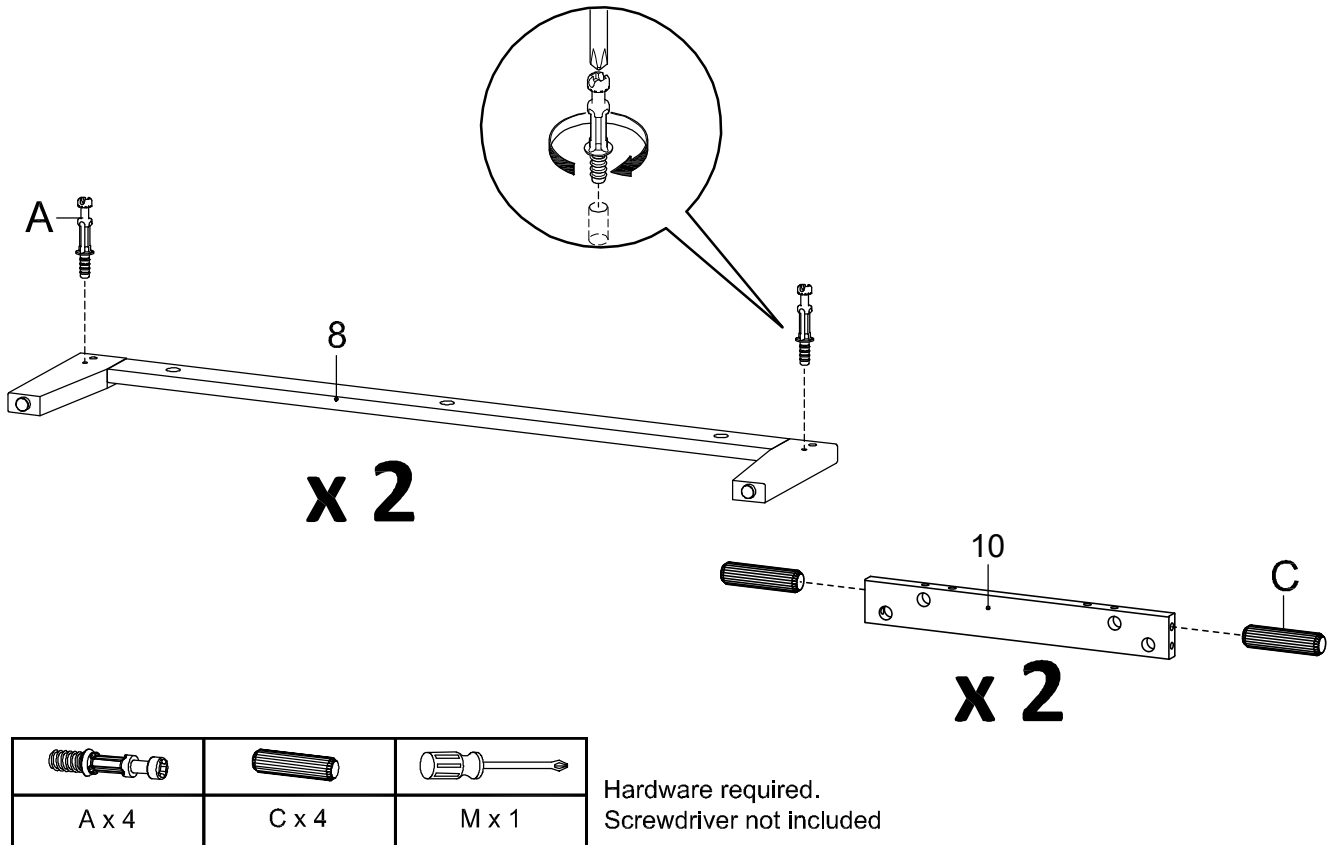
Hardware required.  
Screwdriver not included

CABINET

STEP 5:

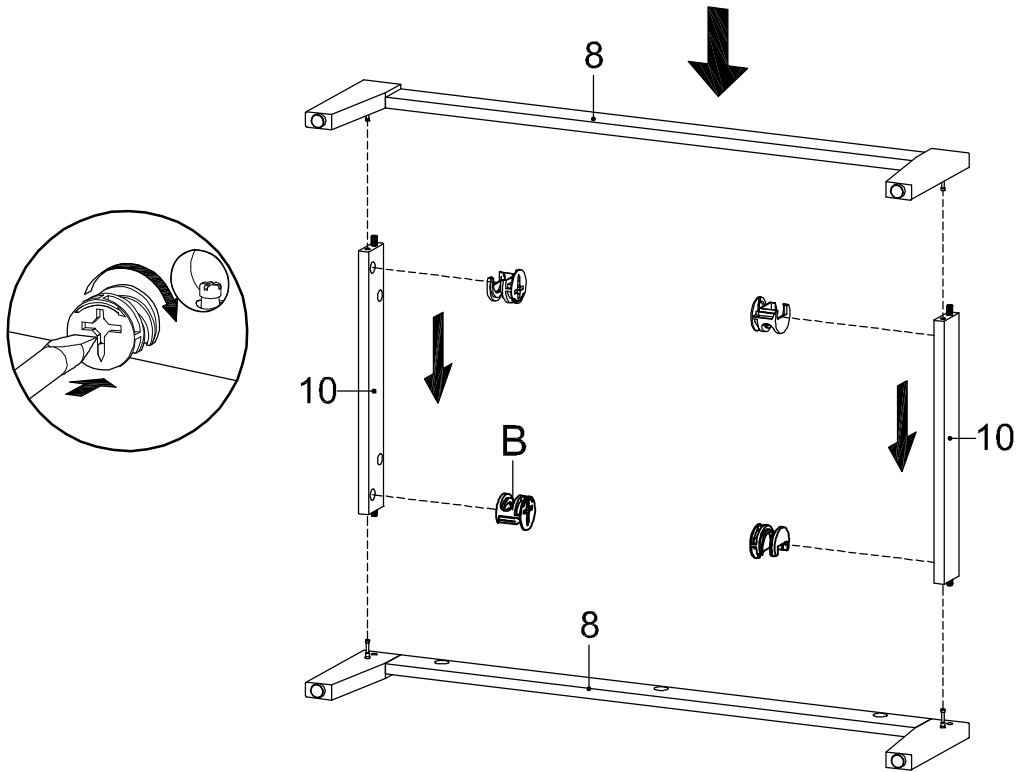



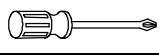
STEP 6:



# CABINET

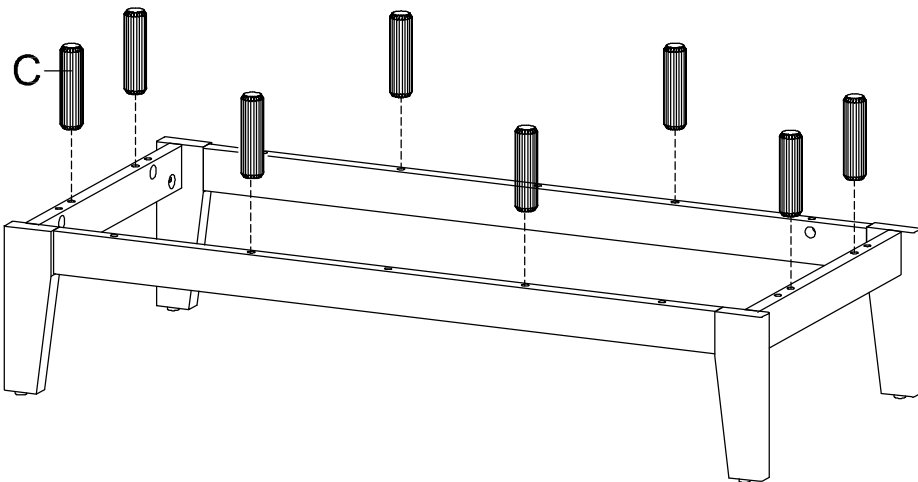
## STEP 7:




|   |   |
|---|---|
|  |  |
| B x 4   | M x 1   |

Hardware required.  
Screwdriver not included

## STEP 8:

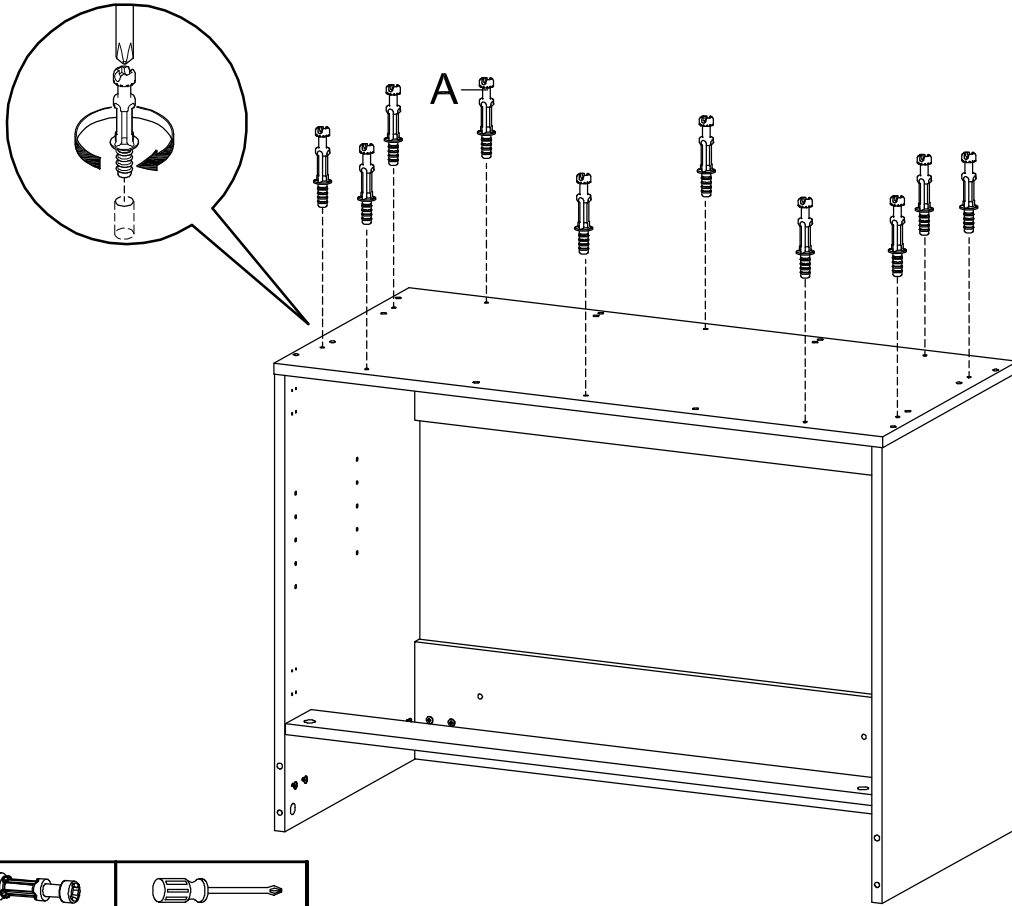



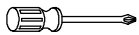
|   |
|---|
|  |
| C x 8   |

Hardware required.

# CABINET

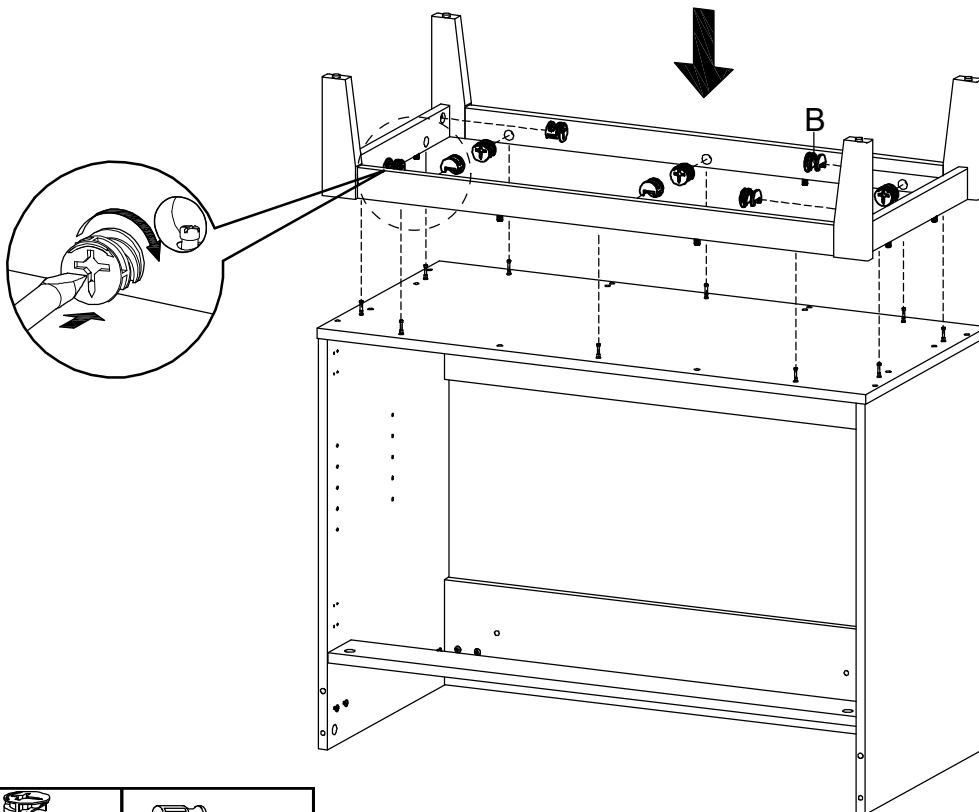
STEP 9:


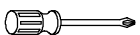


|   |   |
|---|---|
|  |  |
| A x 10  | M x 1   |

Hardware required.  
Screwdriver not included

STEP 10:

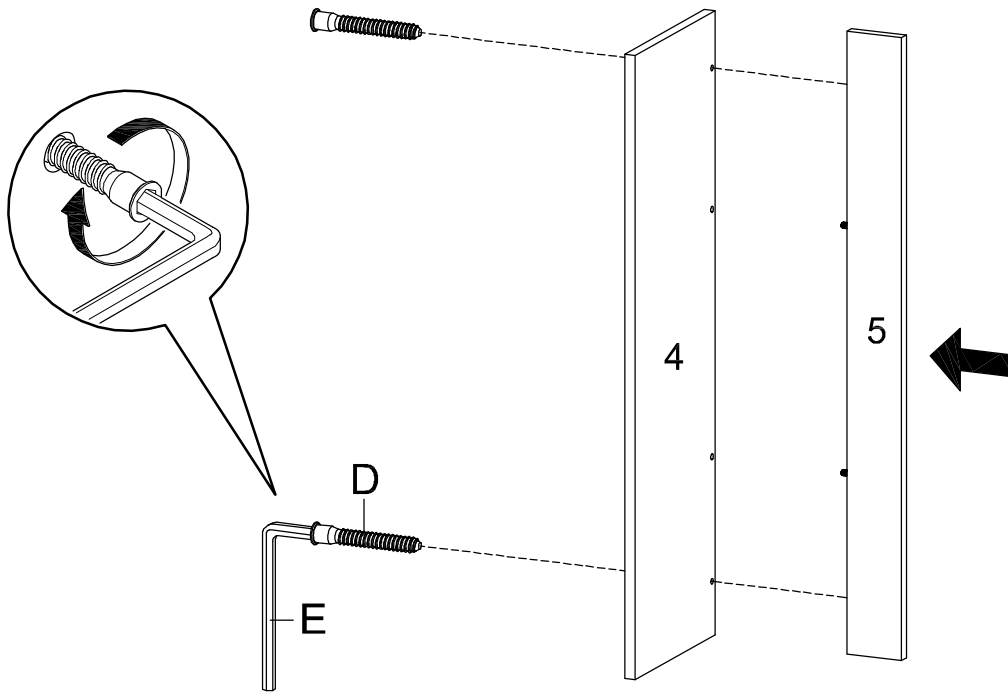




|   |   |
|---|---|
|  |  |
| B x 10  | M x 1   |

Hardware required.  
Screwdriver not included

# CABINET

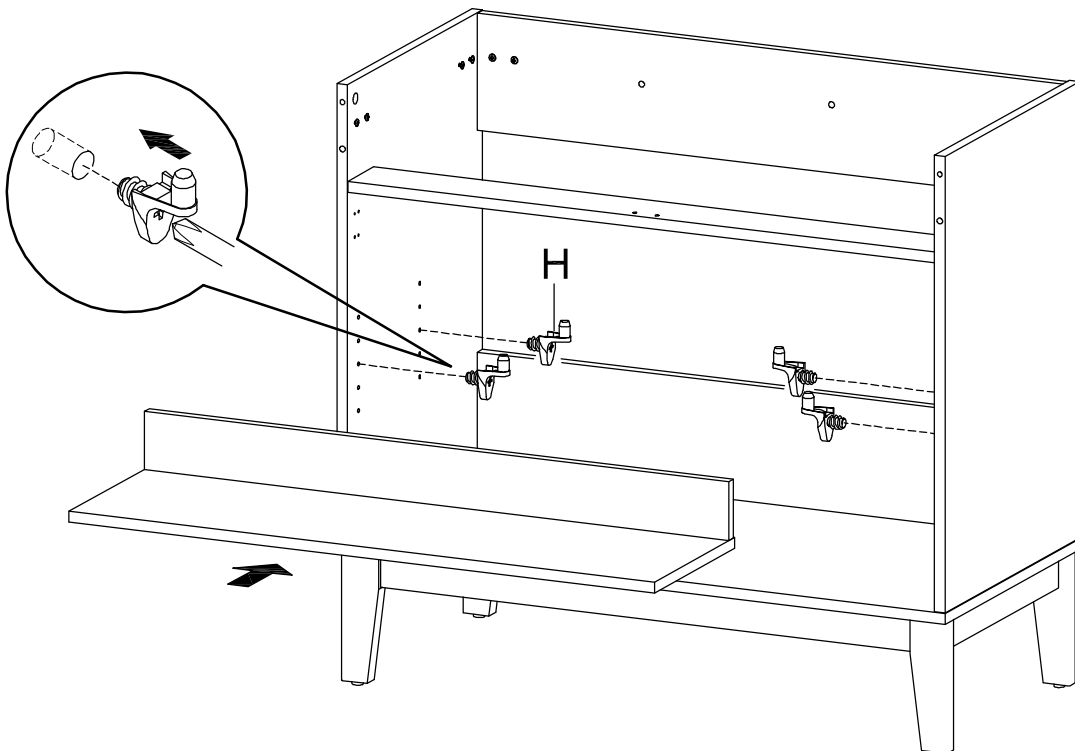
## STEP 11:


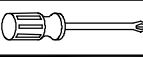


|   |   |
|---|---|
|  |  |
| D x 2   | E   |

Hardware required.

## STEP 12:

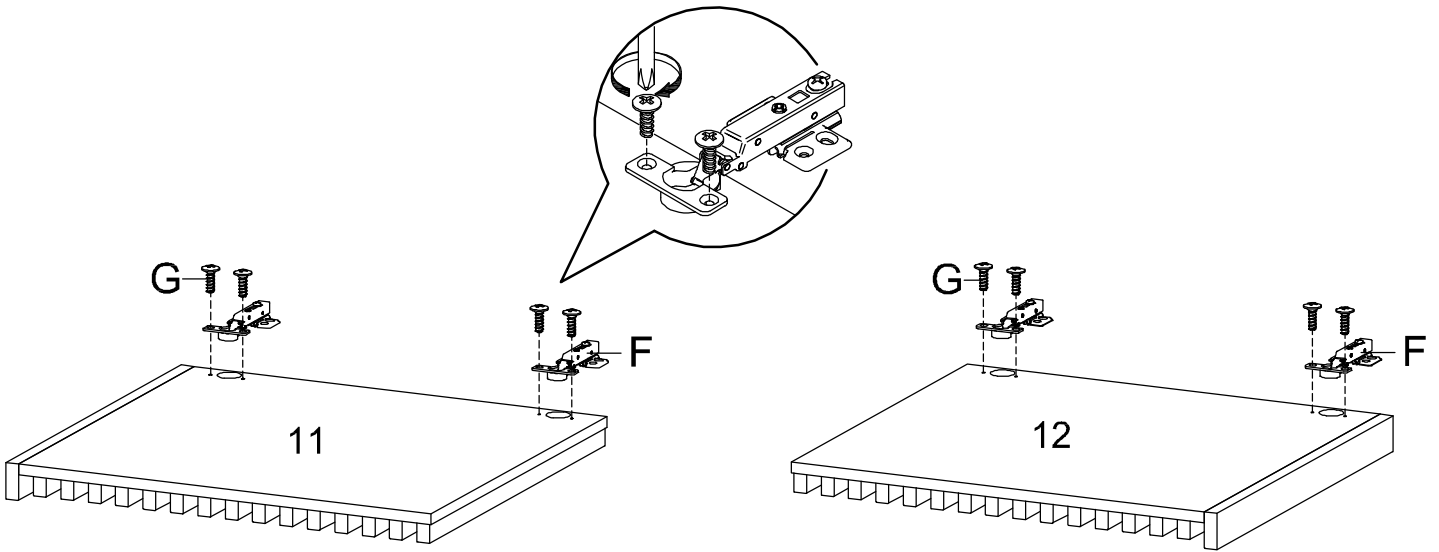




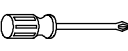
|   |   |
|---|---|
|  |  |
| H x 4   | M x 1   |

Hardware required.  
Screwdriver not included

# CABINET

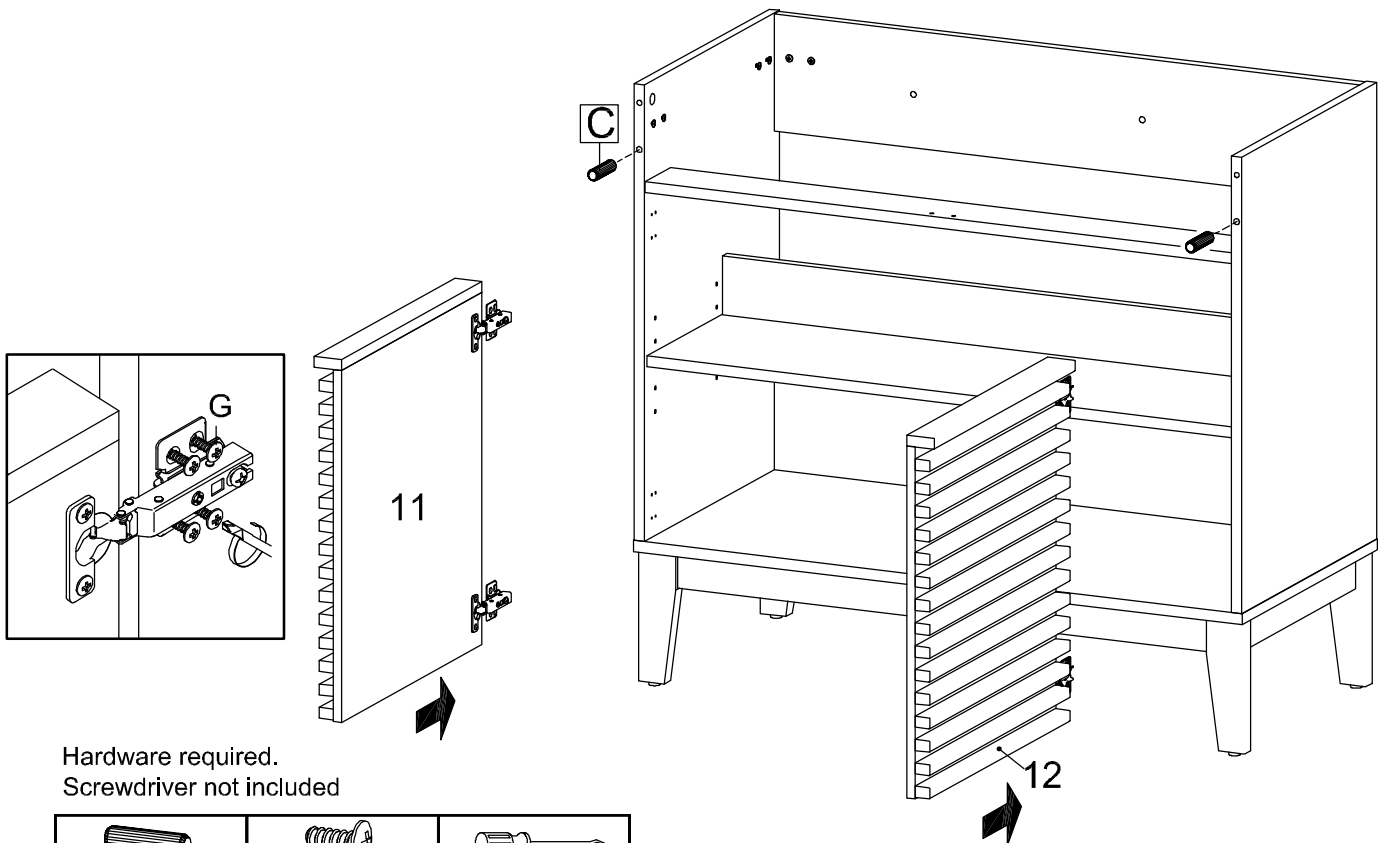
## STEP 13:





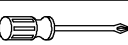
|   |   |   |
|---|---|---|
|  |  |  |
| F x 4   | G x 8   | M x 1   |

Hardware required.  
Screwdriver not included

## STEP 14:

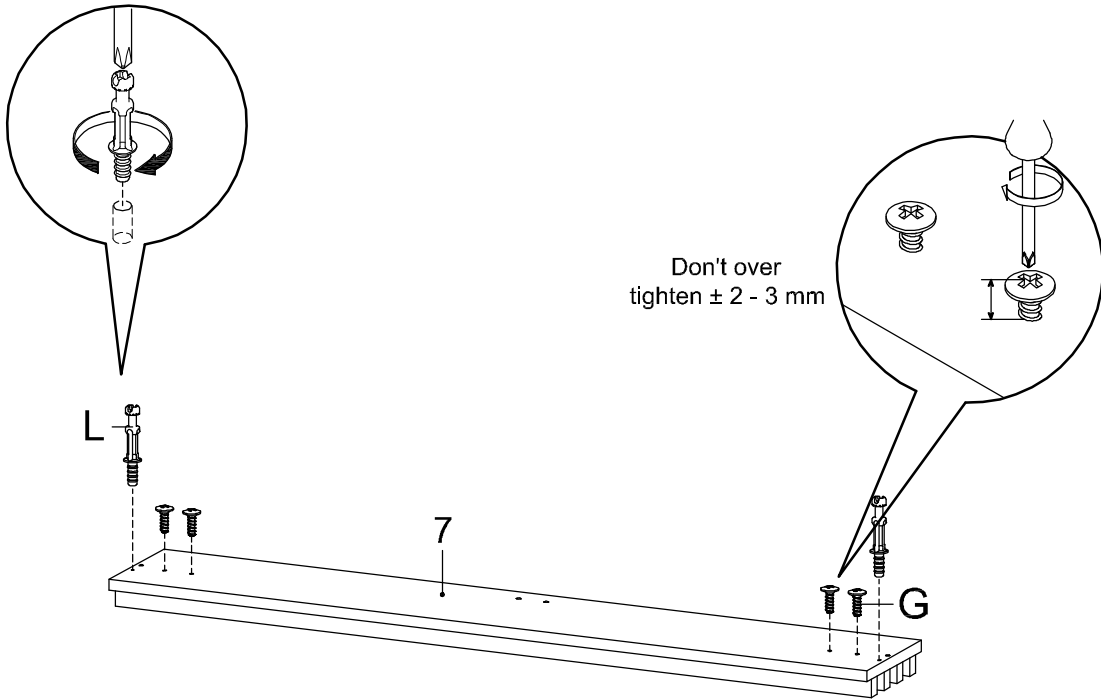




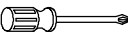
Hardware required.  
Screwdriver not included

|   |   |   |
|---|---|---|
|  |  |  |
| C x 2   | G x 16  | M x 1   |

# CABINET

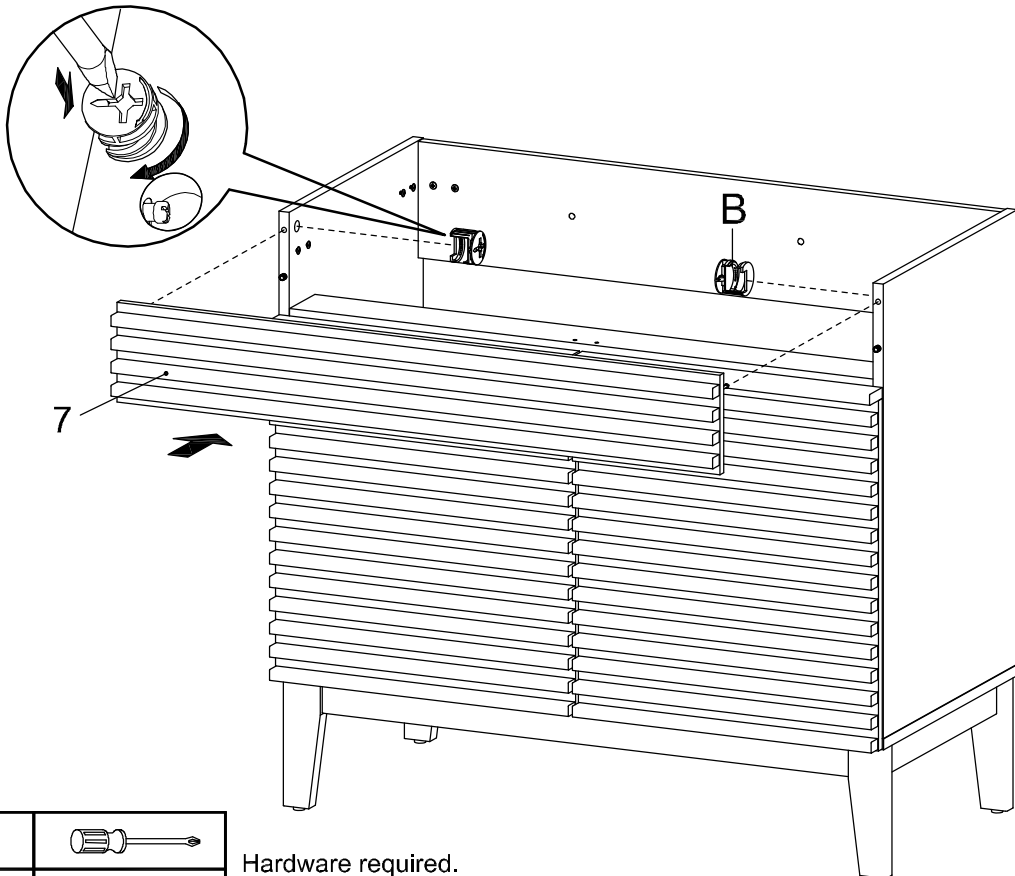
## STEP 15:


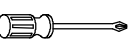


|   |   |   |
|---|---|---|
|  |  |  |
| L x 2   | G x 4   | M x 1   |

Hardware required.  
Screwdriver not included

## STEP 16:

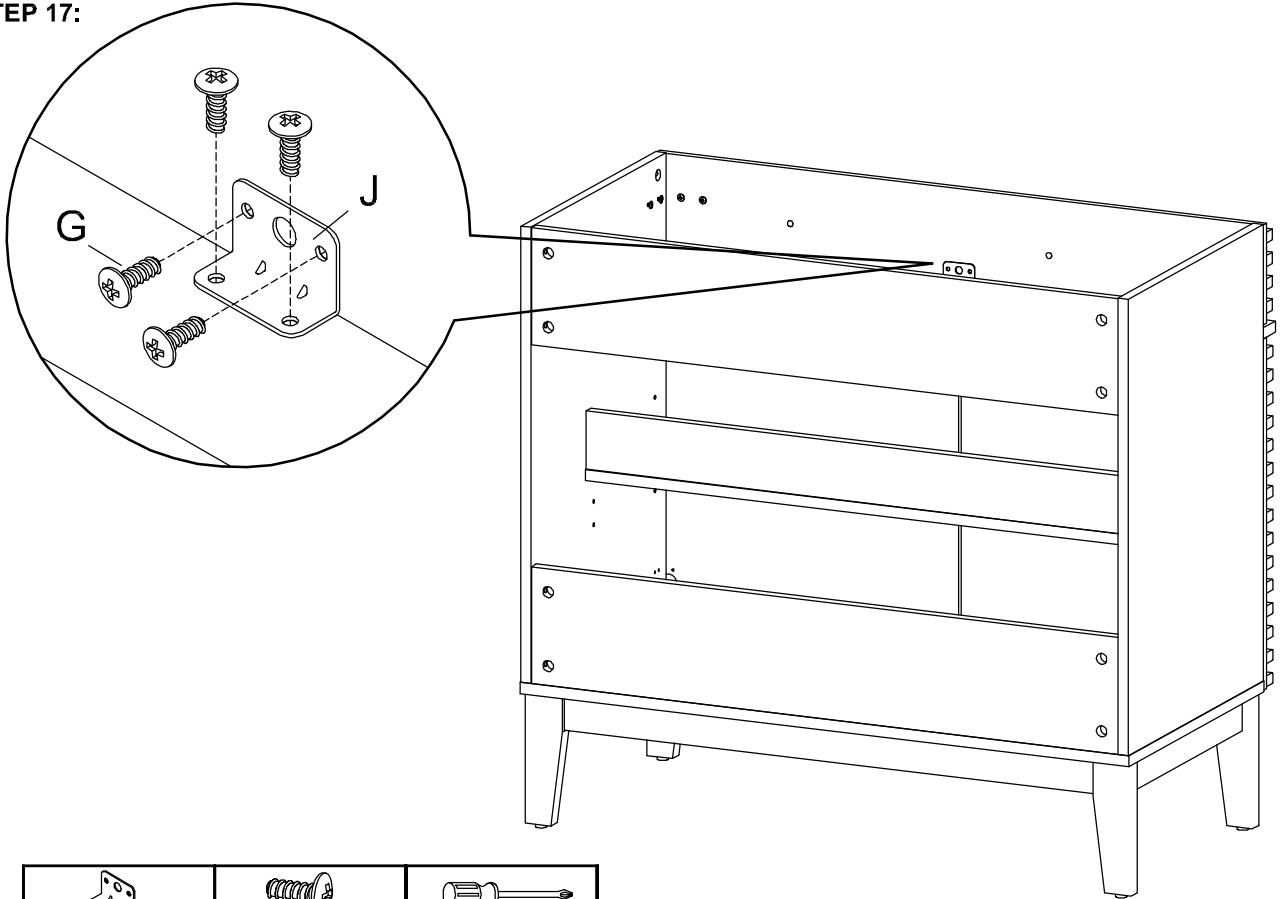




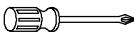
|   |   |
|---|---|
|  |  |
| B x 2   | M x 1   |

Hardware required.  
Screwdriver not included

# CABINET

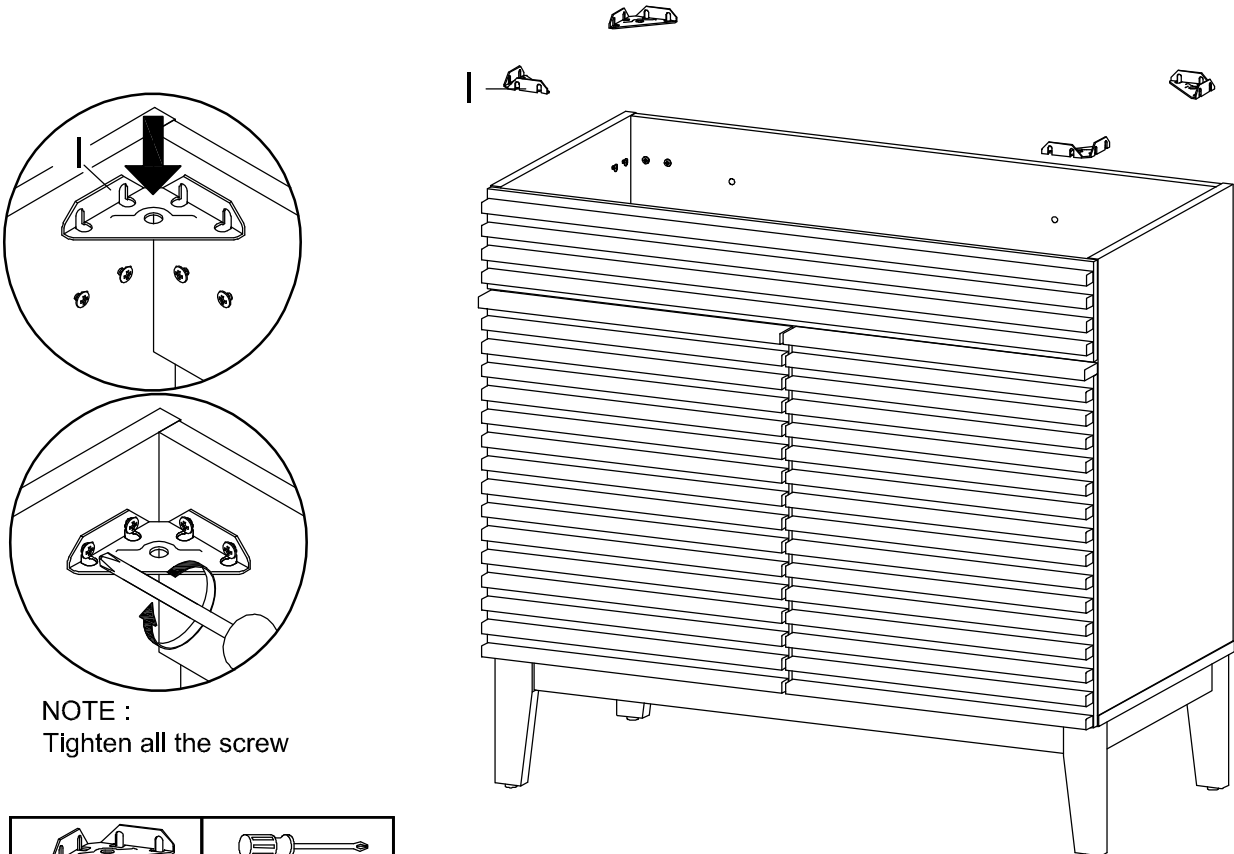
## STEP 17:





|   |   |   |
|---|---|---|
|  |  |  |
| J x 1   | G x 4   | M x 1   |

Hardware required.  
Screwdriver not included

## STEP 18:



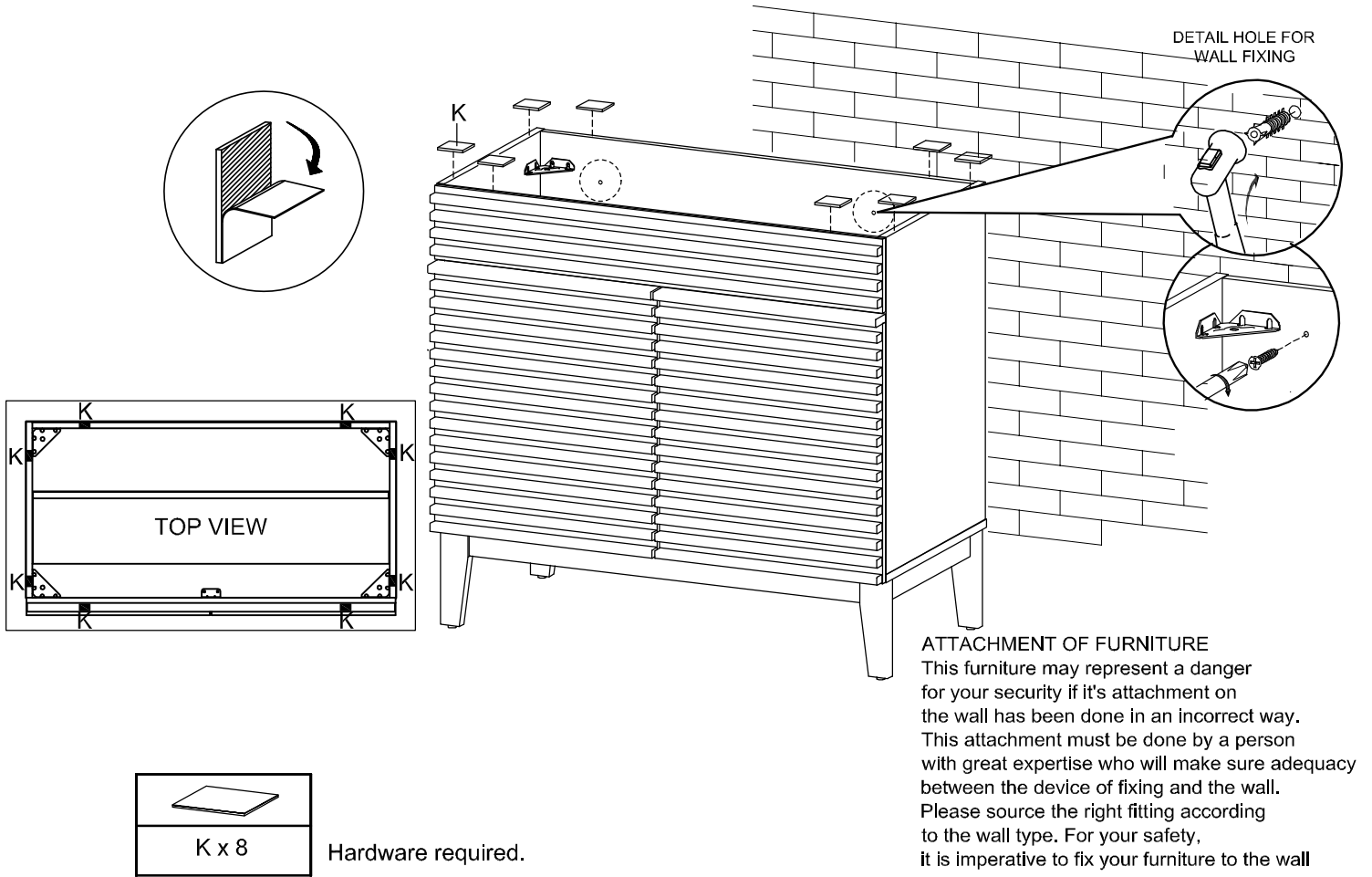
NOTE :  
Tighten all the screw

|   |   |
|---|---|
|  |  |
| I x 4   | M x 1   |

Hardware required.  
Screwdriver not included

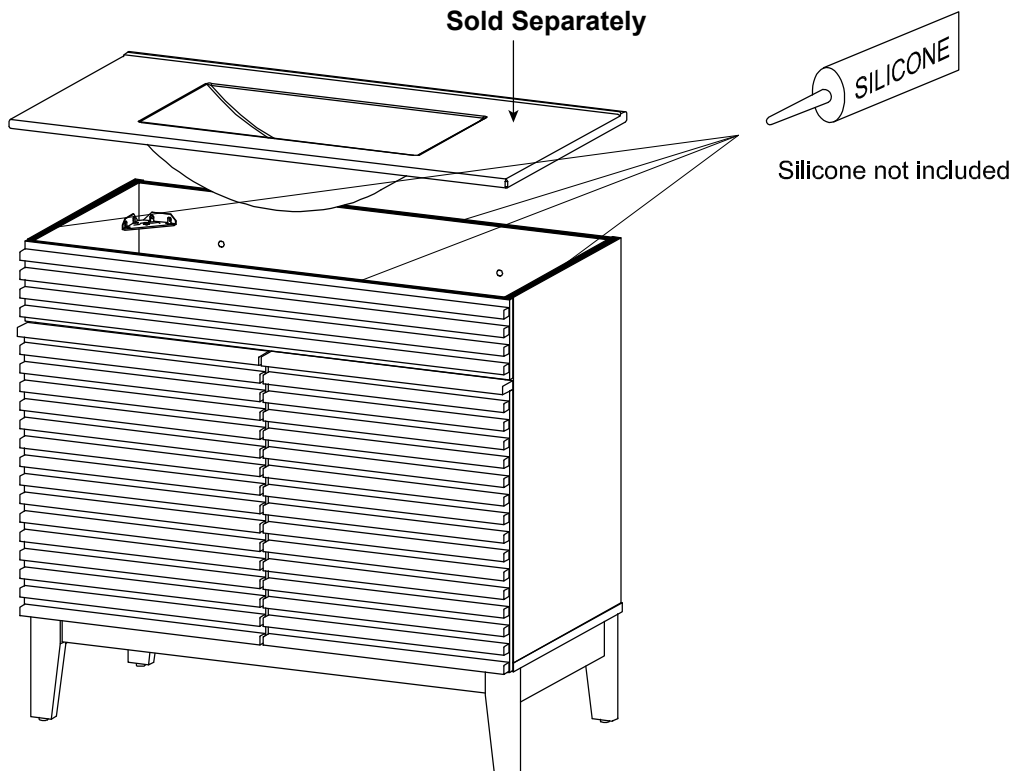
# CABINET

## STEP 19:



## STEP 20:

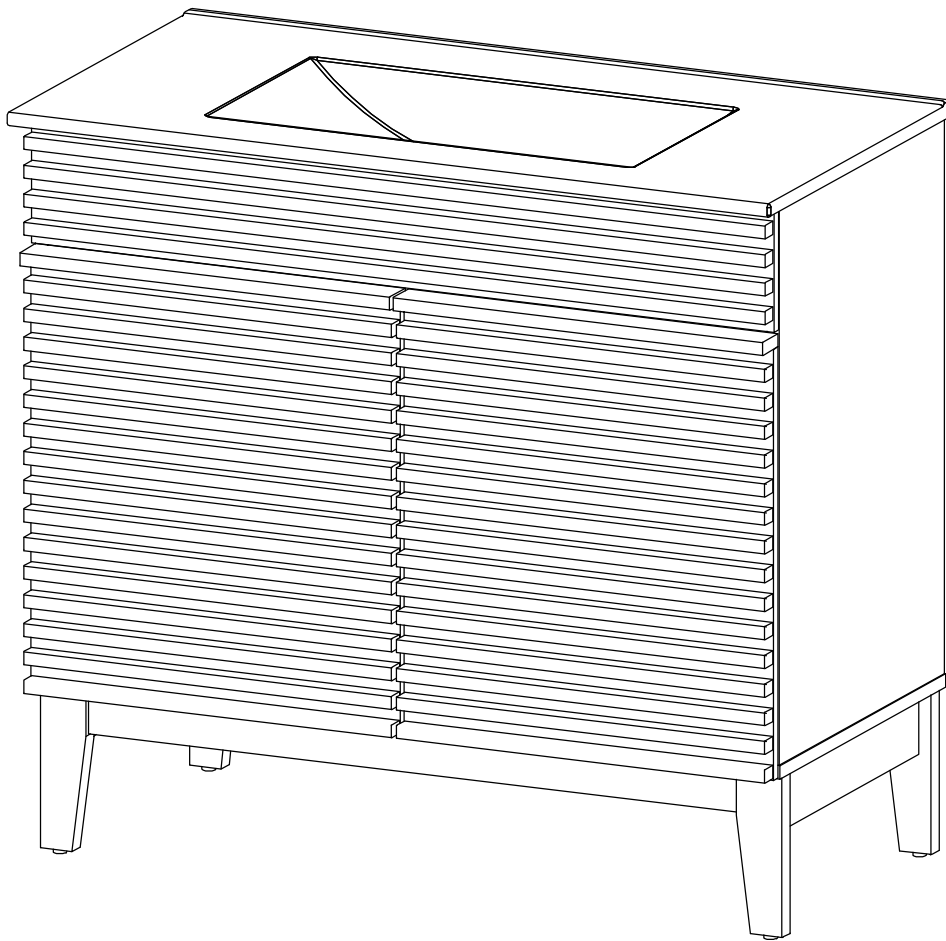
Apply a thin bead of silicone compound around the vanity base and set the vanity top carefully in place. Remove any excess silicone compound with a wet rag



## CABINET

---

**STEP 21:**



**Assembly is complete. The Cabinet is ready to enjoy now !**