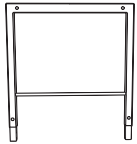
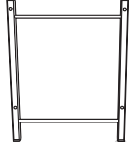
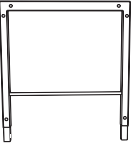
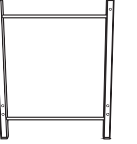
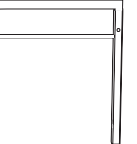
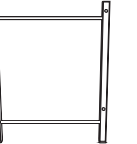
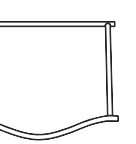
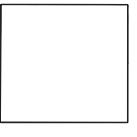




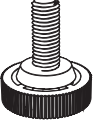



Installation Manual

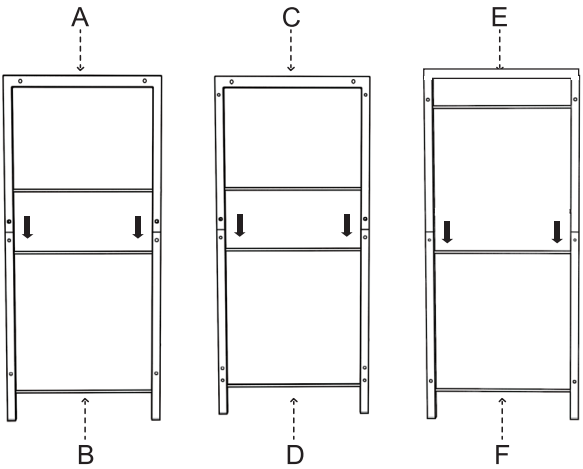
-Accessories List

A  Bracket x 1	B  Bracket x 1	C  Bracket x 1	D  Bracket x 1	E  Bracket x 1	F  Bracket x 1	G  Layer Bracket x 4
H  Layer Board x 2	J  pothook×2	K  M8*25 Screw x 16	L  Wrench x1	M  Long Screw x 8	N  Leveling Feet x 6	P  Wrench x 1

-Installation Steps

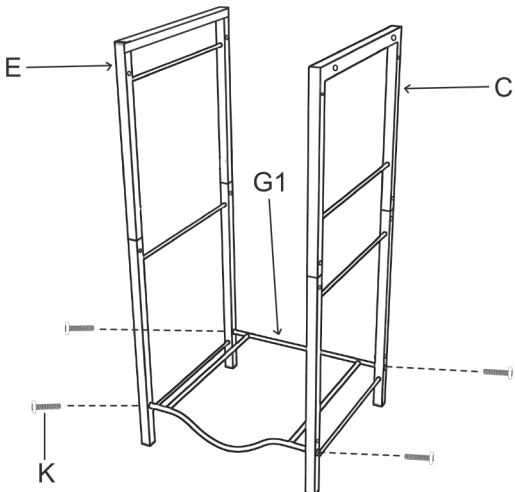
Dear customer, please check whether the accessories are complete before you start to assemble, please follow the installation steps.

1



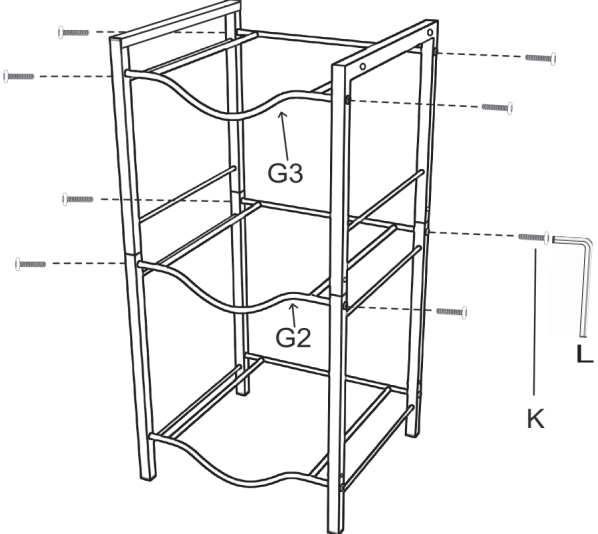
Insert Bracket A into B, insert C into D, and insert E into F.

2



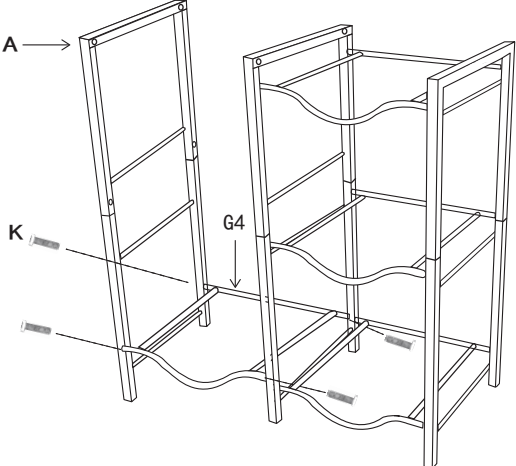
Align the screw holes of 2 brackets in one direction, then secure Layer Bracket G1 with Screw K.

3



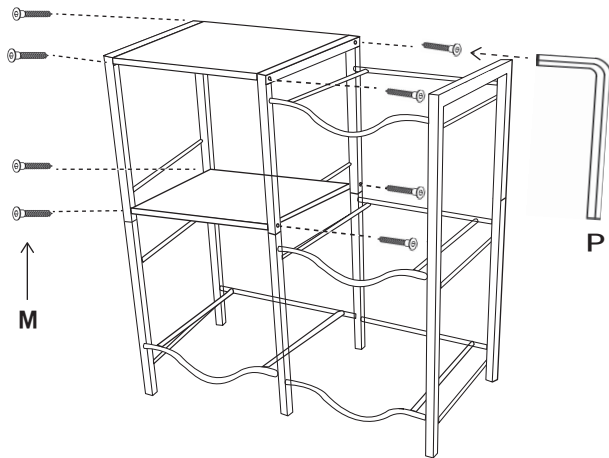
Secure Layer Bracket G2 & G3 with Screw K.

4



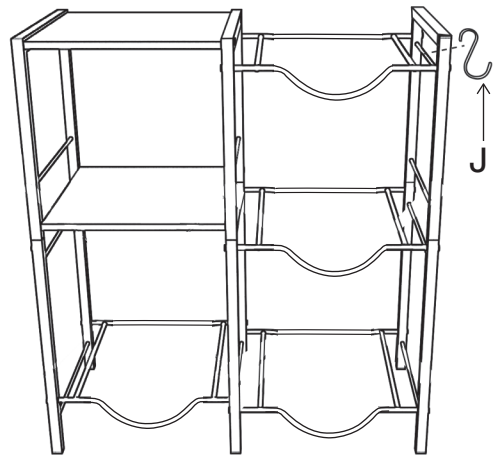
Align the screw holes of 2 brackets in one direction, then secure Layer Bracket G4 with Screw K.

5



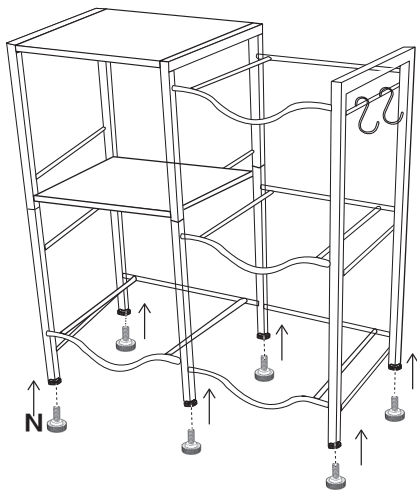
Secure 2 Layer Boards H with Screw M.

6



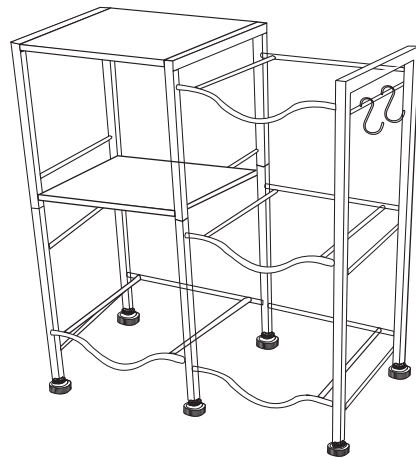
Attach 2 poothook

7



Install Leveling Feet N to 6 legs.

8



Note: Do not fully tighten the screws until you have assembled the entire holder, please tighten them after all the parts have been assembled.

Warning:

Please be sure to read the product installation manual carefully before use, avoiding the risk of tipping due to incorrect assembly! Please contact us if you have any questions!