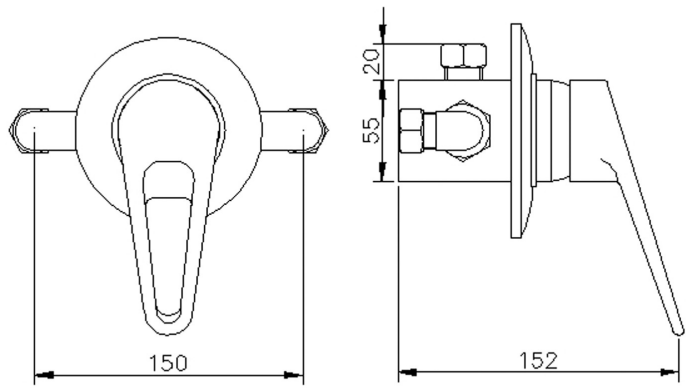


CUSTOMER DATA SHEET - SHOWERS

DESCRIPTION: Manual Concealed Or Exposed Valve



PRODUCT DIMENSIONS

Length (mm)	Width (mm)	Height (mm)	Depth (mm)	Nett Wgt Kg
	150	90	152	1.72

PACKAGING DIMENSIONS

Length (mm)	Width (mm)	Depth (mm)	Gross Wgt Kg
205	120	135	1.72

PACKAGING DATA

Box Colour	White Cardboard Box		
Box Qty	1	Label Colour	White Label
Label Size	100 x 50	Label Qty	2

OUTER BOX DIMENSIONS (If Applicable)

Length (mm)	Width (mm)	Height (mm)	Depth (mm)	Gross Wgt Kg
	215	285	500	14

PRODUCT DETAILS

Country of Origin	China
Fitting Instruction	Yes
Product Material	Brass
Mount Type	Wall, Surface
Outlet Elbow Supplied	No
Easy Clean	Not Applicable
Head Included	No
Handset Included	No
Body Jets Included	No
No of Body Jets	Not Applicable
Operating Pressure (bar)	0.2
Valve/Cartridge Type	Single Lever Cartridge

Flow Rates (L/min)	0.1 bar	5	0.5 bar	10	1 bar	14	2 bar	20	3 bar	26
TMV2 Approved	No		Approval No.		N/A					
TMV3 Approved	No		Approval No.		N/A					
WRAS Approved	No		Approval No.		N/A					
Head Function	Not Applicable									
Handset Function	Not Applicable									
Body Jet Info	Not Applicable									
Pipe Size	15 mm (1/2" Bsp)									
Pipe Centres	150 mm									
Colour/Finish	Chrome									
Hose Included	Not Applicable									