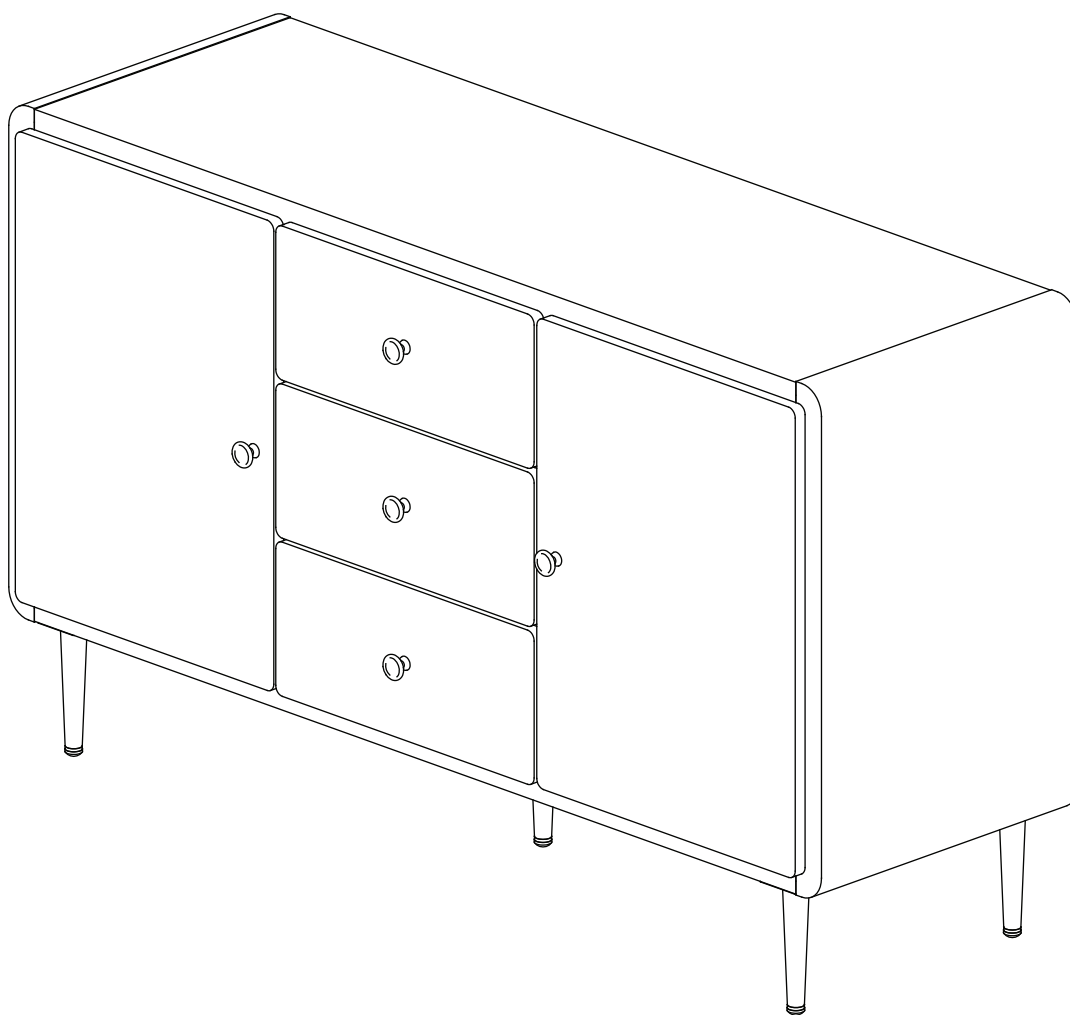


BUFFET CABINET



ASSEMBLY INSTRUCTIONS



60 min. assembly

2 person

*The estimated assembly time may vary depending on the individual.

Hey, there

Now is assembly time!

Deeeeeeep breathe.... and again....
Tools ready,
Easy peasy!

Estimated



60 min. assembly
2 person

Tools Required

- Flathead screwdriver (not included)
- Phillips screwdriver (not included)
- Power Drill (not included)
- Hammer (not included)

important: Cautious when you use power tools

Thank you for purchasing this product. This product has been manufactured with the highest standards of safety and quality.

PLEASE READ ALL INSTRUCTIONS CAREFULLY BEFORE ASSEMBLY.

Unpack all parts from the packaging inside the carton to ensure there are no missing or damaged parts. Lay out all the cabinet parts on a clean, flat, and soft surface to prevent scratches. Refer to the steps provided as assembling guide.

Do not attempt to assemble or use the product if any parts are missing or damaged.

REMINDERS

SAFE USAGE IS KEY

Your well-being is our top priority when you use our product. Please prioritize your safety by diligently following the assembly guidelines and inspecting the product carefully both when it arrives and before each use.

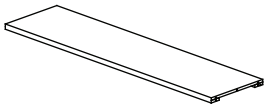
Please be aware that we cannot be held liable for any injuries or fatalities that occur due to not adhering to the provided instructions or misuse of the product.

DO NOT MODIFY

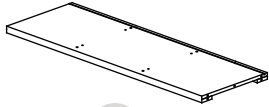
Our products undergo rigorous testing to ensure they meet established safety standards before being released for sale. Altering the product in any way can lead to serious safety concerns, for which we cannot assume responsibility.

What's in the box

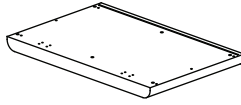
Parts



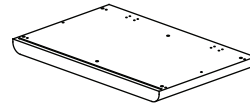
1 X 1
Top Panel



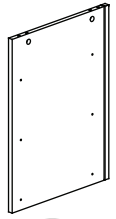
2 X 1
Bottom Panel



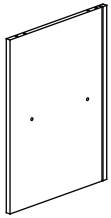
3 X 1
Side Panel-L



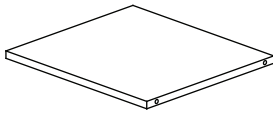
4 X 1
Side Panel-R



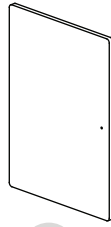
5 X 1
Stand Panel-L



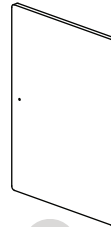
6 X 1
Stand Panel-R



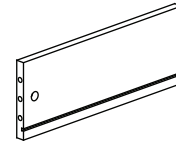
7 X 2
Partition Panel



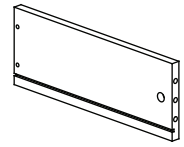
8 X 1
Door-L



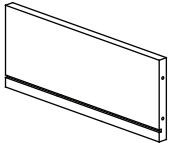
9 X 1
Door-R



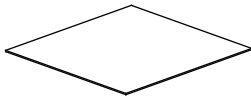
10 X 3
Drawer Side Panel-L



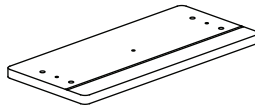
11 X 3
Drawer Side Panel-R



12 X 3
Drawer Back Panel



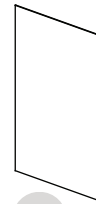
13 X 3
Drawer Bottom Panel



14 X 3
Drawer Front Panel



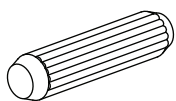
15 X 2
Back Panel



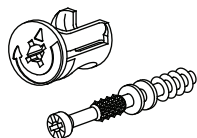
16 X 1
Back Panel Centre

What's in the box

Hardware & Accessory



A X 36+4
Wood Dowel
M8x25mm



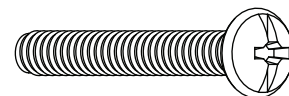
B X 22+3
15mm Minifix



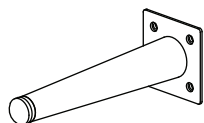
C X 16+2
M5x40mm
Screw



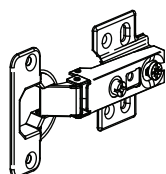
D X 5
Handle 1604



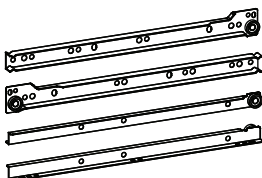
E X 5
Handle Screw
M4x20



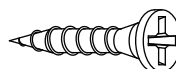
F X 5
Leg LG9023



G X 4
Hinges (F011)



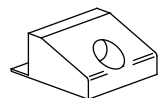
H X 3
DRAWER SLIDE
350MM



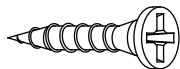
I X 60+4
M3.5x16mm
Screw



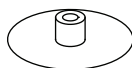
J X 12+2
Euro Screw
M5x8mm



K X 6
Z Bracket
(Small)

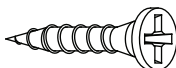


L X 6
M3x16mm
Screw

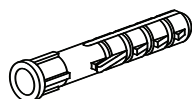


M X 6
Minifix Cap

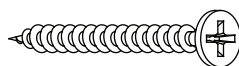
Tipping Restraint



N X 2
M3.5x16mm
Screw



O X 2
Wall Plug



P X 2
M4x30mm
Screw

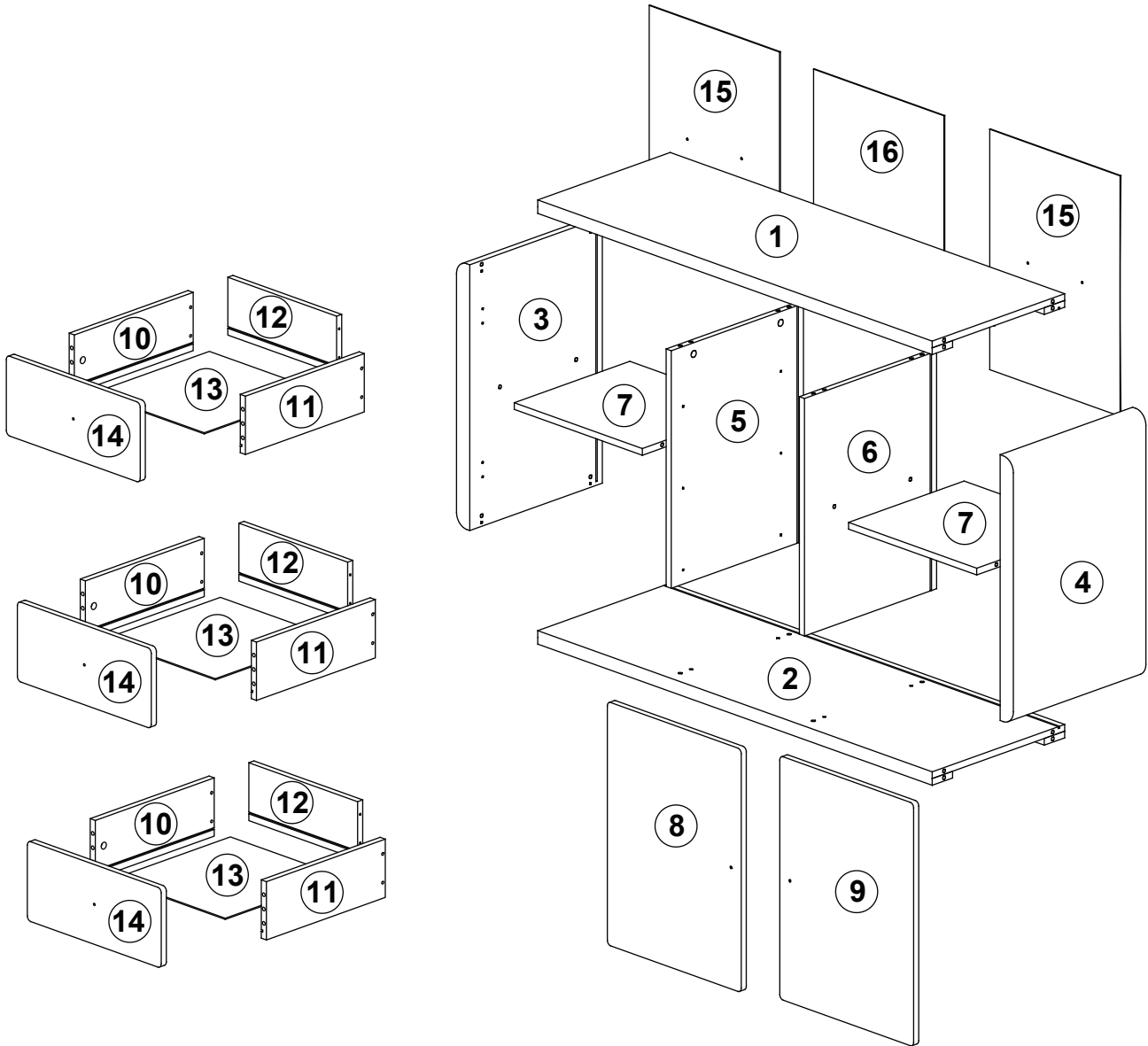


Q X 2
Safety Strap
25mm



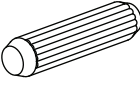
R X 4
Flat Washer
4.5x10x1mm

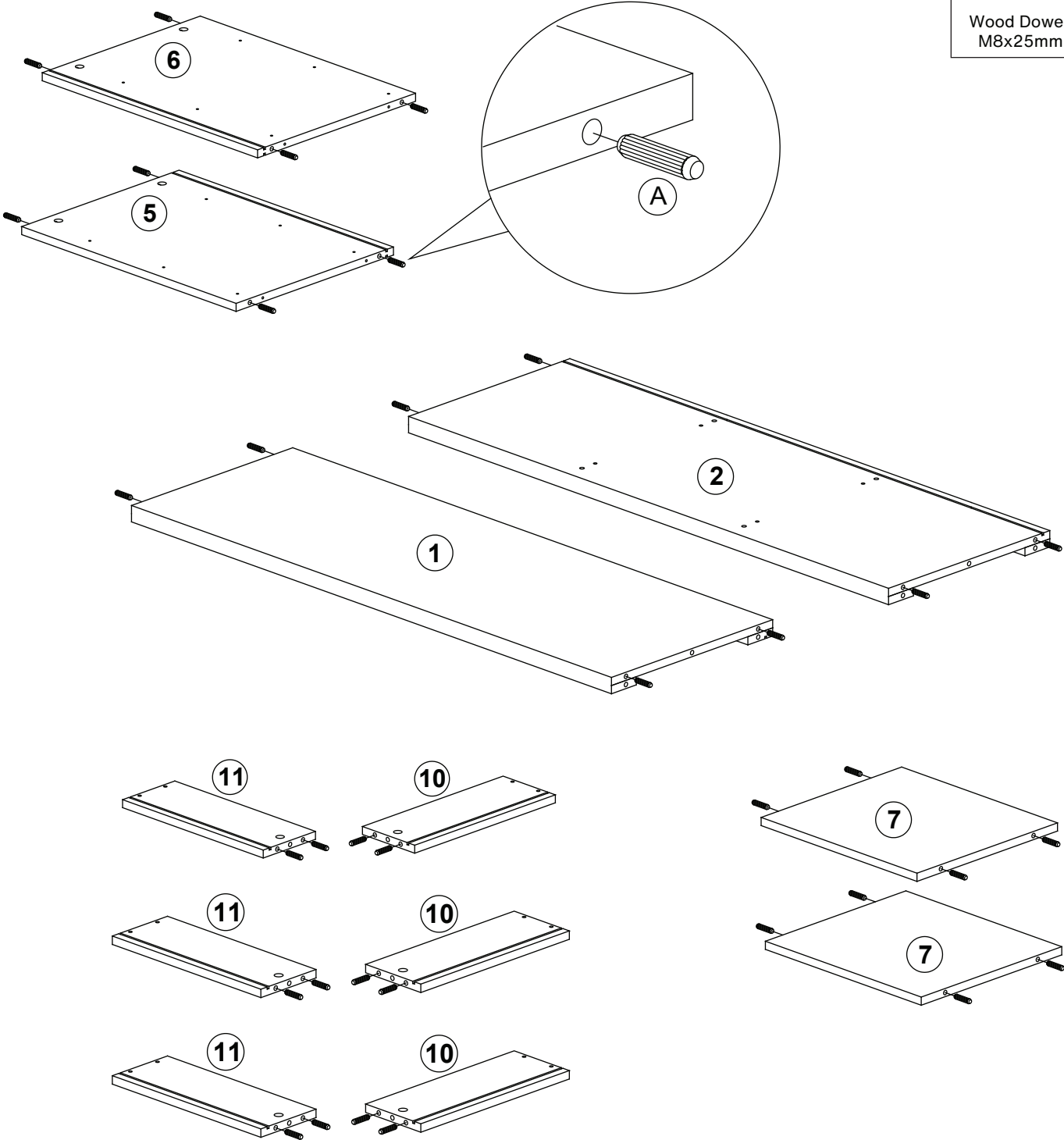
Assembly



Step 1

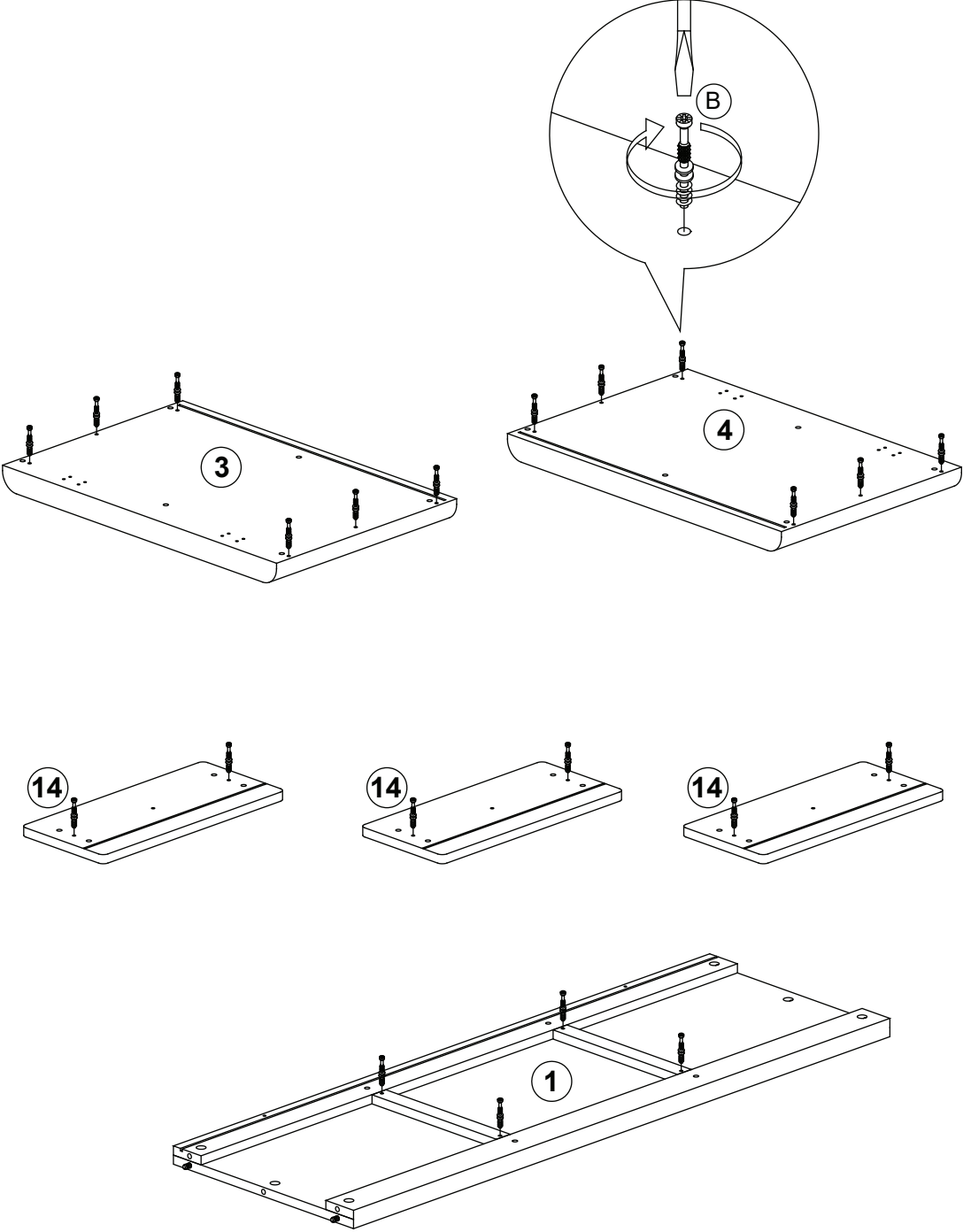
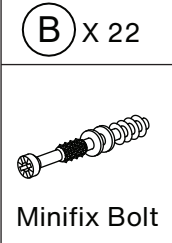
Insert Dowel (A) into each panel as shown.

| |
|---|
| A X 36 |
|  |
| Wood Dowel M8x25mm |



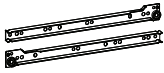

Step 2

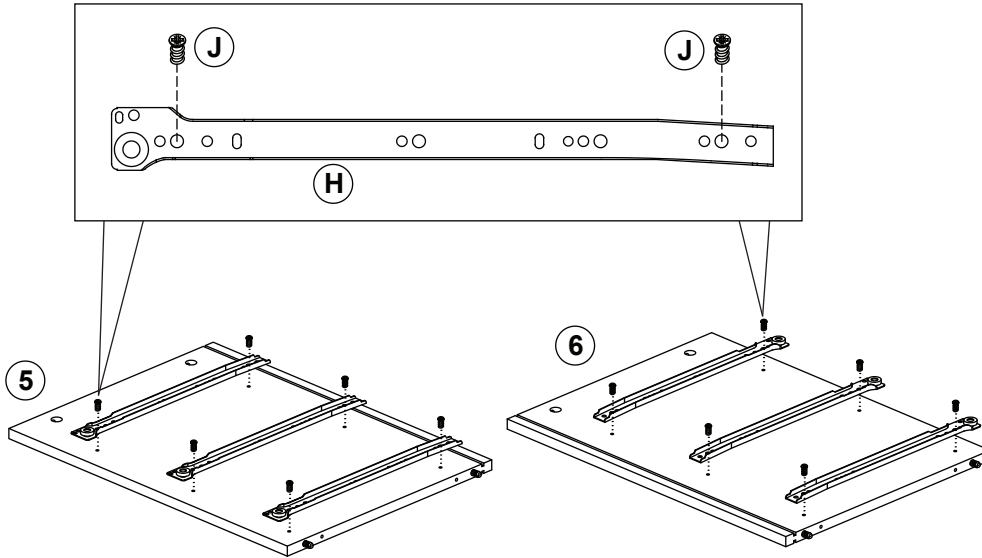
Install Minifix Bolt (B) to all panels as shown.



Step 3

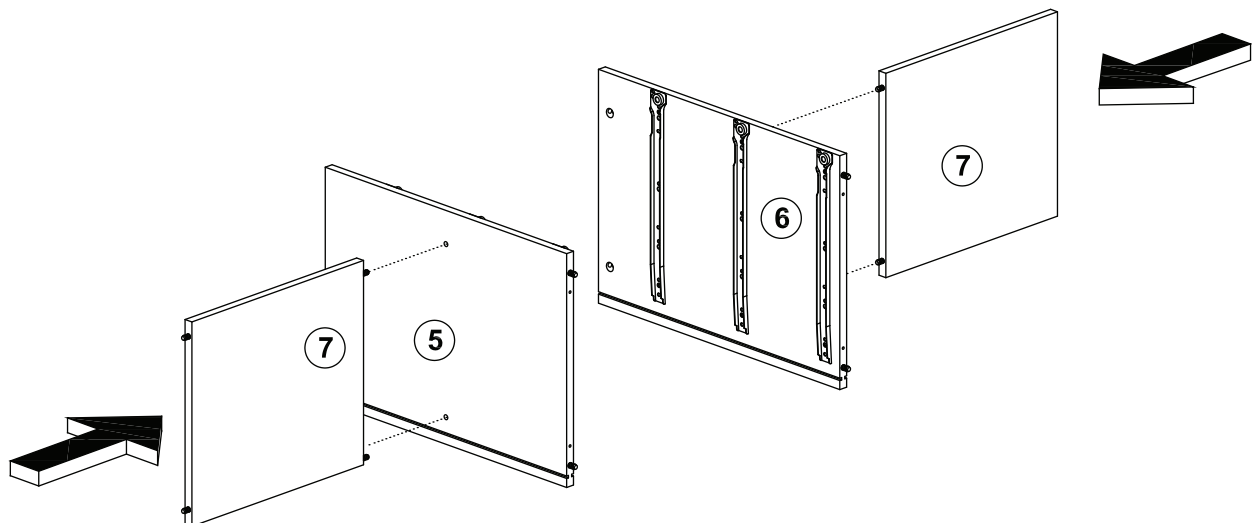
Install Drawer Slide (H) to Panels (5) and (6).
Secure with Screws (J) as shown.

| | |
|---|---|
| (H) x 3 | (J) x 12 |
|  |  |
| Drawer Slide 350mm | Euro Screw M5x8 |



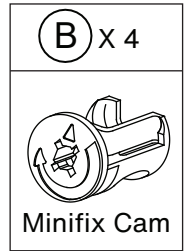
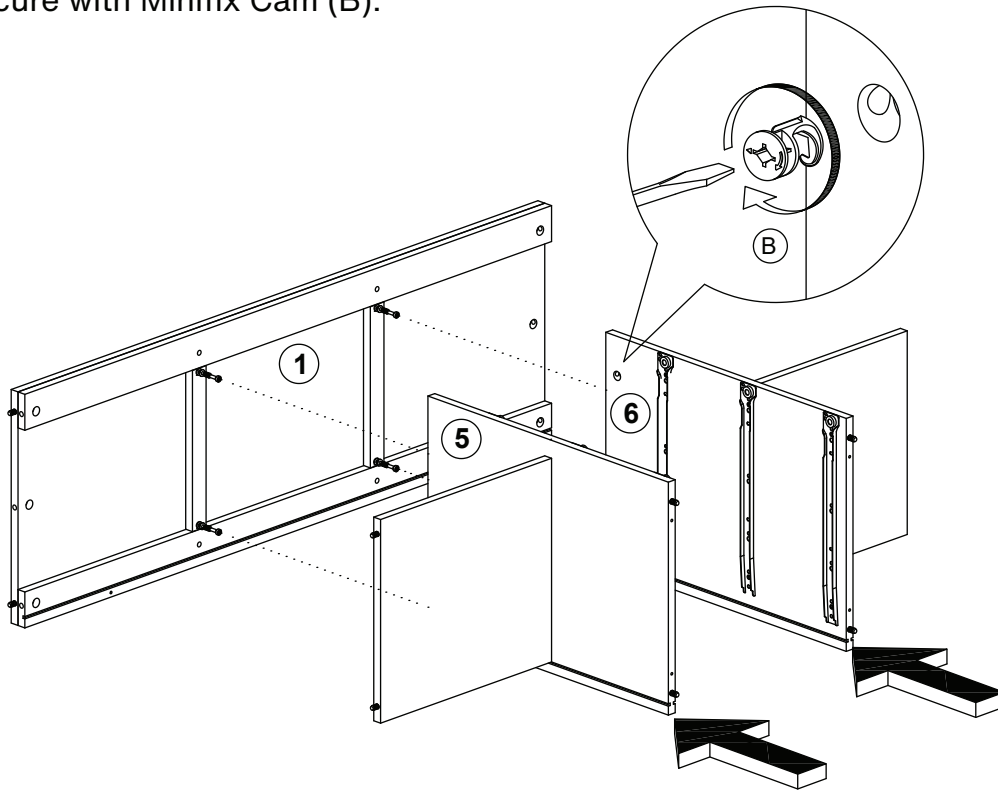
Step 4

Assemble Partition Panel (7) to Stand Panel-L (5) and Partition Panel (7) to Stand Panel-R (6).



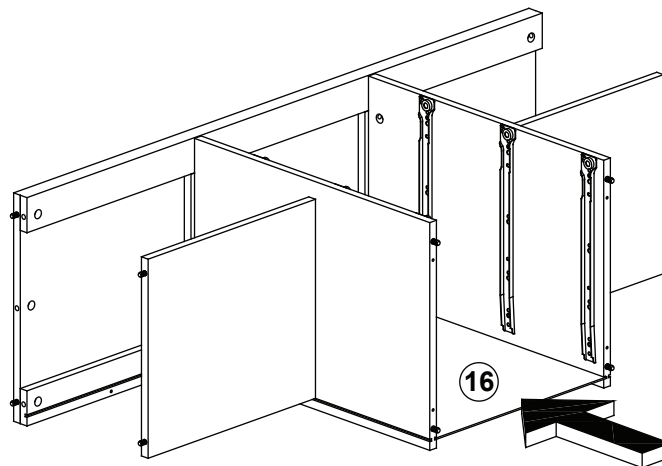
Step 5

Assemble Top Panel (1) to Stand Panel-L (5) and Stand Panel-R (6).
Secure with Minifix Cam (B).



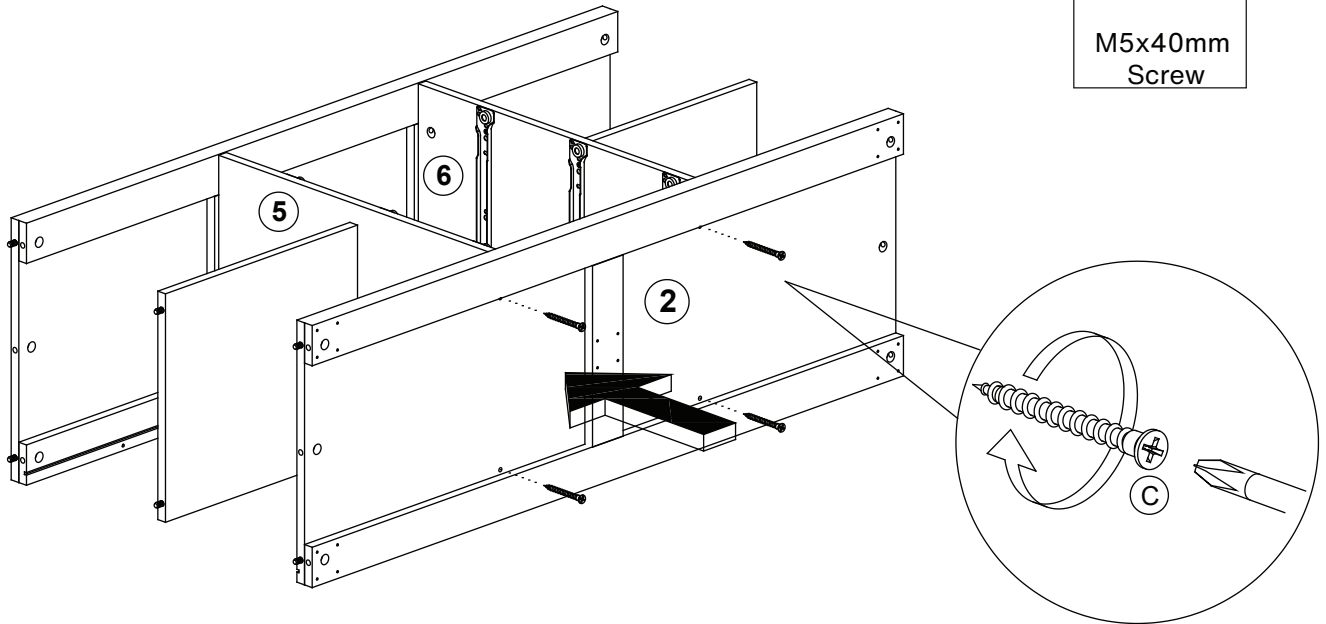
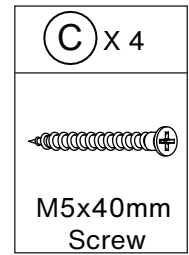
Step 6

Insert the Back Panel (16) as shown.



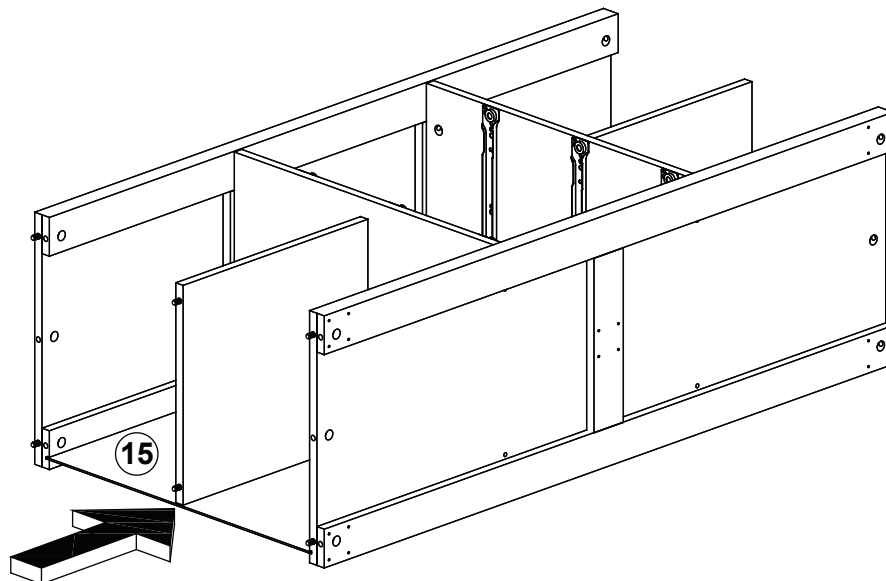
Step 7

Assemble Bottom Panel (2) to Stand Panel-L (5) and Stand Panel-R (6).
Secure with Screw (C) as shown.



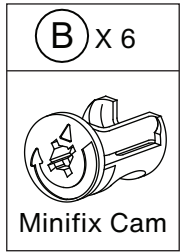
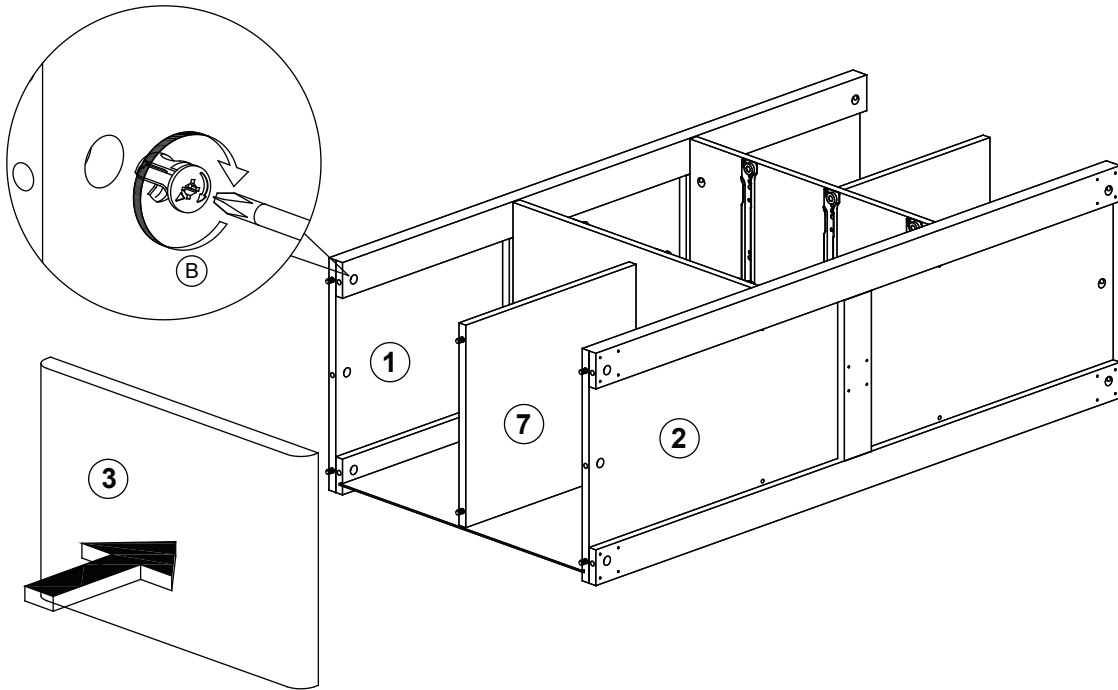
Step 8

Insert the Back Panel (15) as shown.



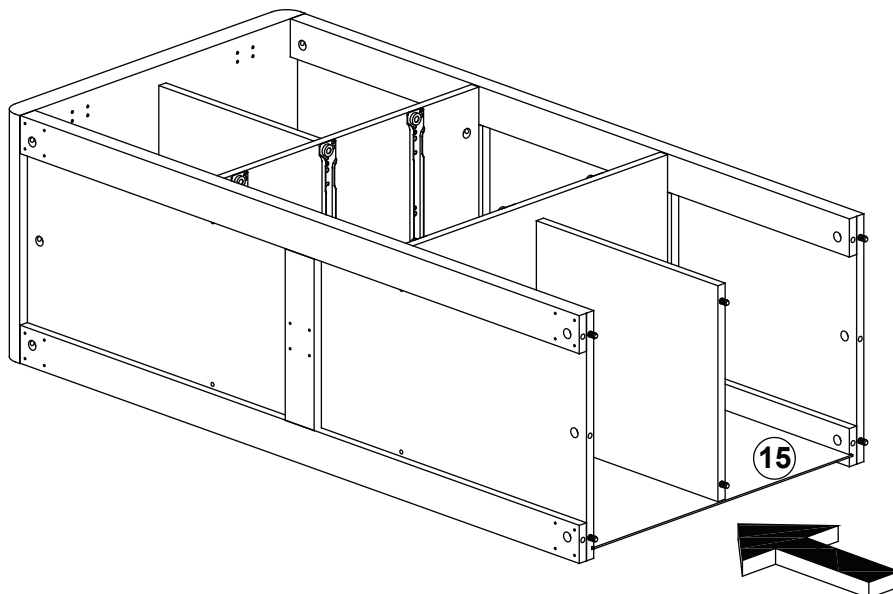
Step 9

Assemble Side Panel-L (3) to Top Panel (1) and Bottom Panel (2).
Secure with Minifix Cam (B).



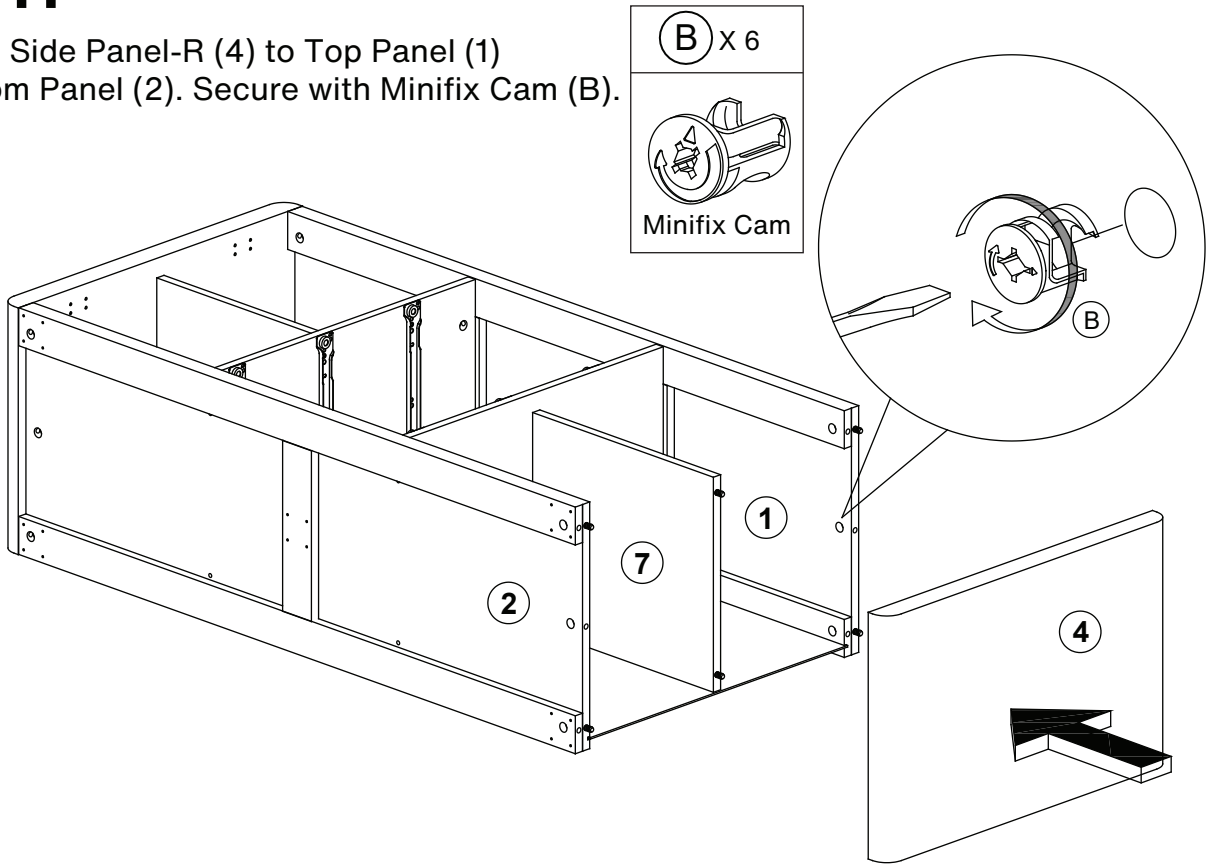
Step 10

Insert the Back Panel (15) as shown.



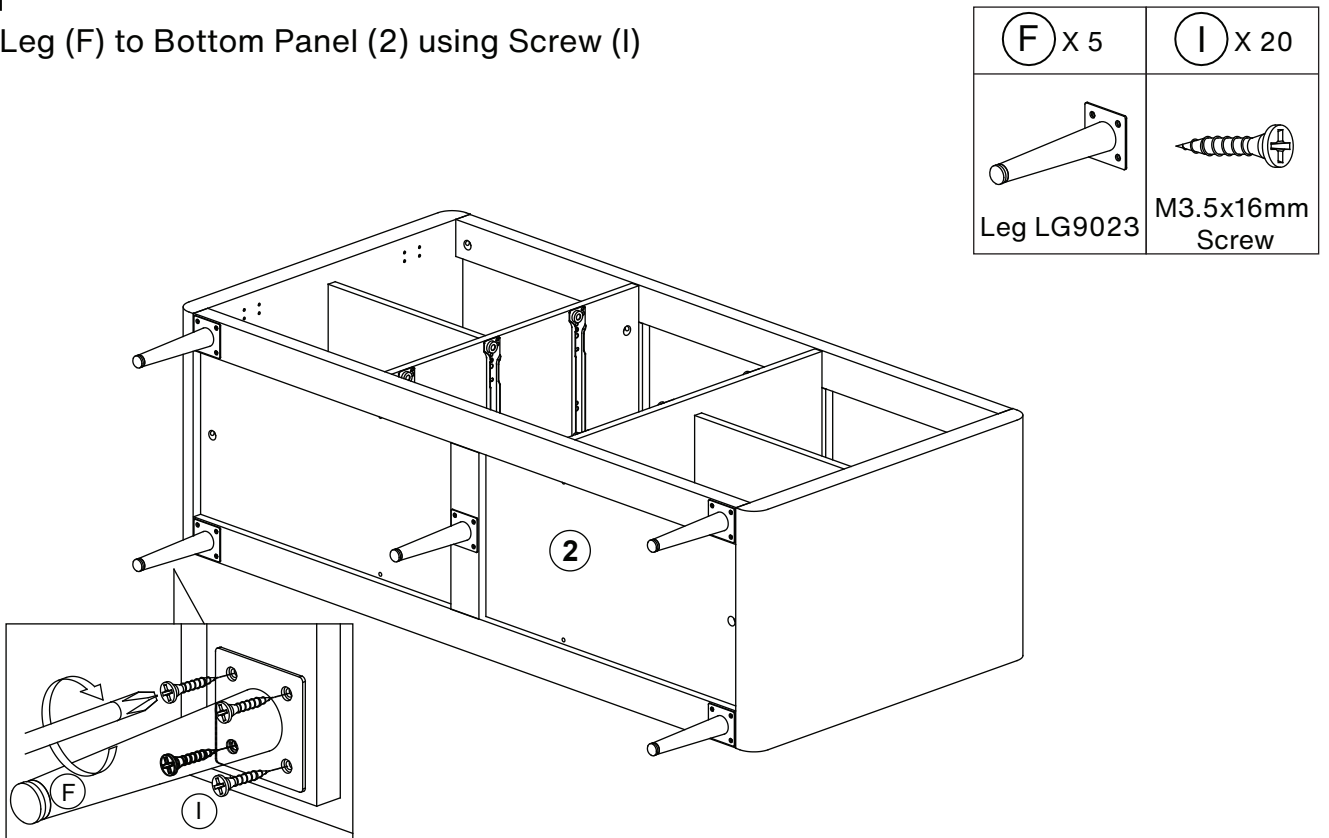
Step 11

Assemble Side Panel-R (4) to Top Panel (1) and Bottom Panel (2). Secure with Minifix Cam (B).



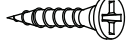
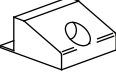
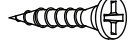
Step 12

Attach Leg (F) to Bottom Panel (2) using Screw (I)



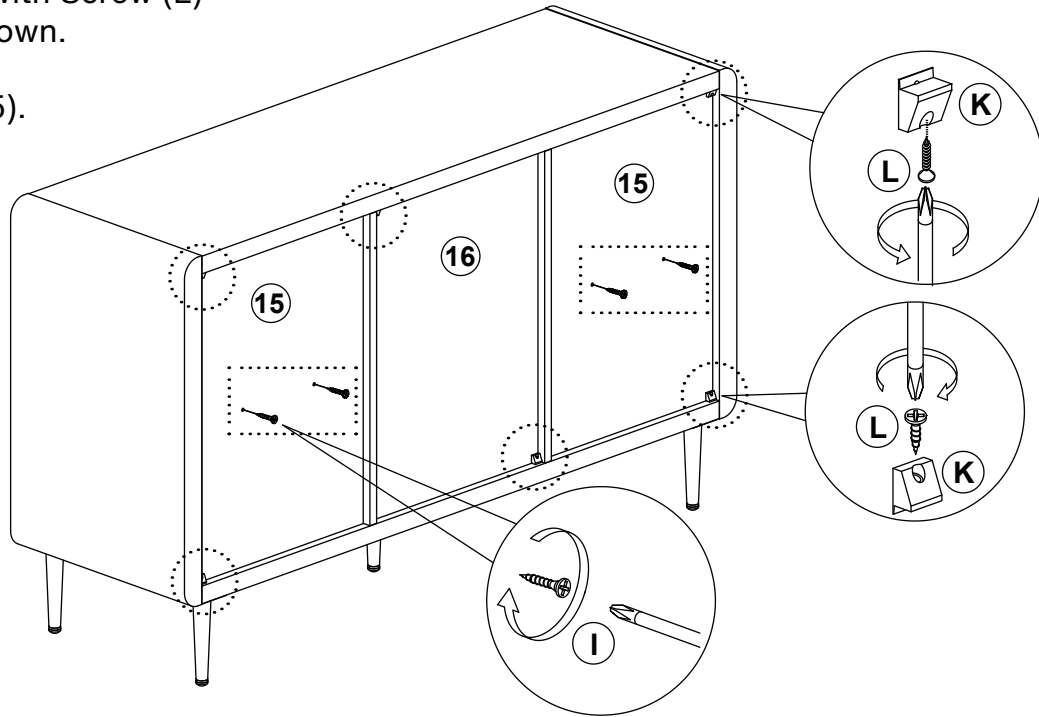
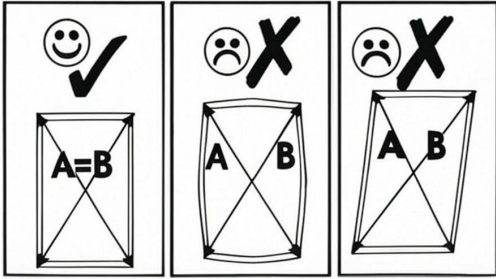
Step 13

Please make sure the left and right doors are the same level and the backboard is right Angle before installing hardware (K), MUST install hardware (K) to strengthen product stability.

| | | |
|---|---|---|
| (I) X 4 | (K) X 6 | (L) X 4A |
|  |  |  |
| M3.5x16mm Screw | Z Bracket (Small) | M3x16mm Screw |



Install Z Bracket (K) and secure with Screw (L) to Back Panel (15) and (16) as shown.

Install Screw (I) to Back Panel (15).



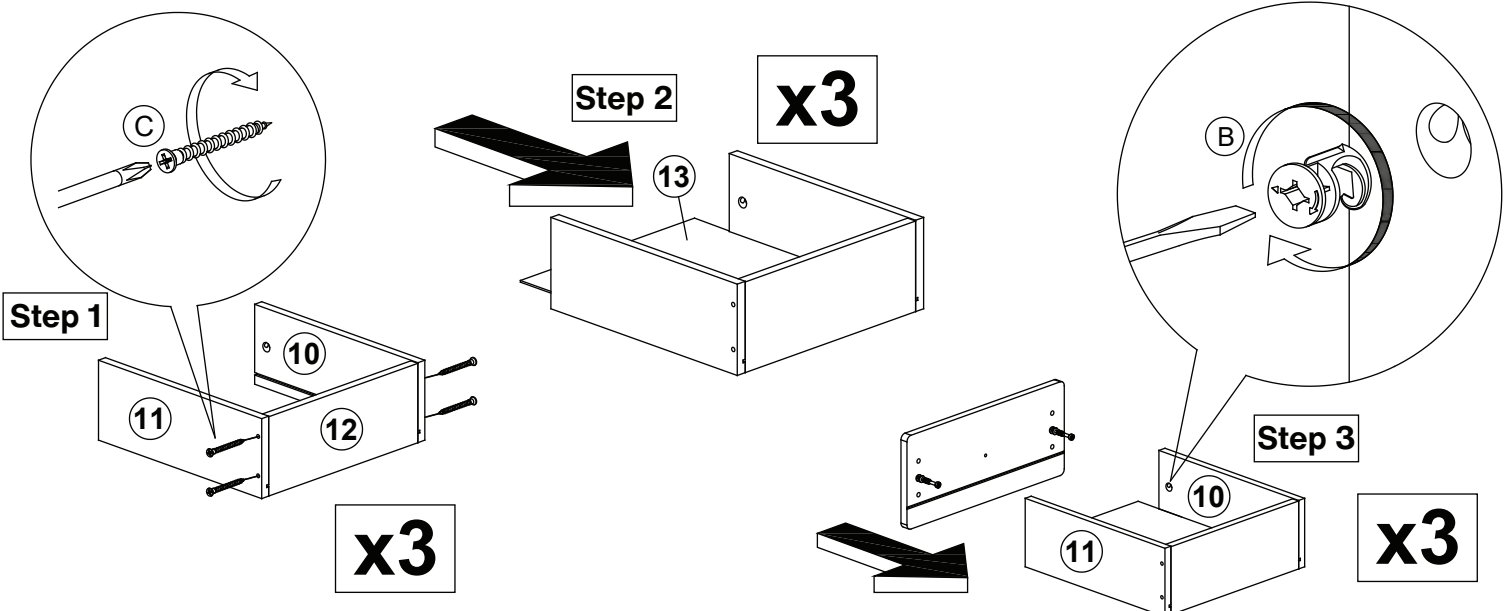
Step 14

Assemble Drawer Side Panel-L (10) and Drawer Side Panel-R (11) to Drawer Back Panel (12). Secure with Screw (C).

| | |
|---|---|
| (B) X 6 | (C) X 12 |
|  |  |
| Minifix Cam | M5x40mm Screw |

Insert the Back Panel (13) as shown.

Assemble Drawer Front (14) to Drawer Side Panel-L (10) and Drawer Side Panel-R (11).

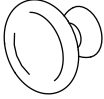


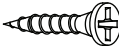



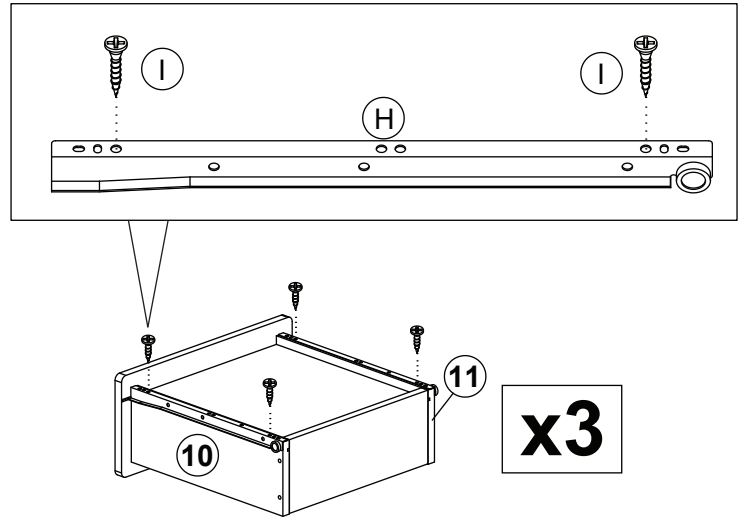
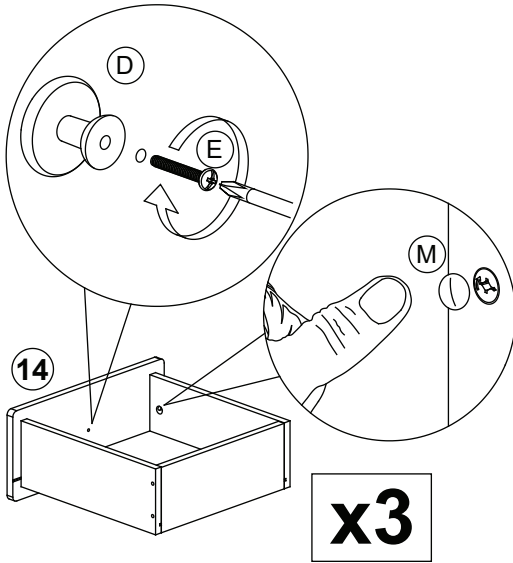
Step 15

Install Handle (D) to Drawer Front (14) and secure with Screw (E).

Attach Minifix Cap (M) as shown.

Attach Drawer Slide (H) to Drawer Side (10) and (11).

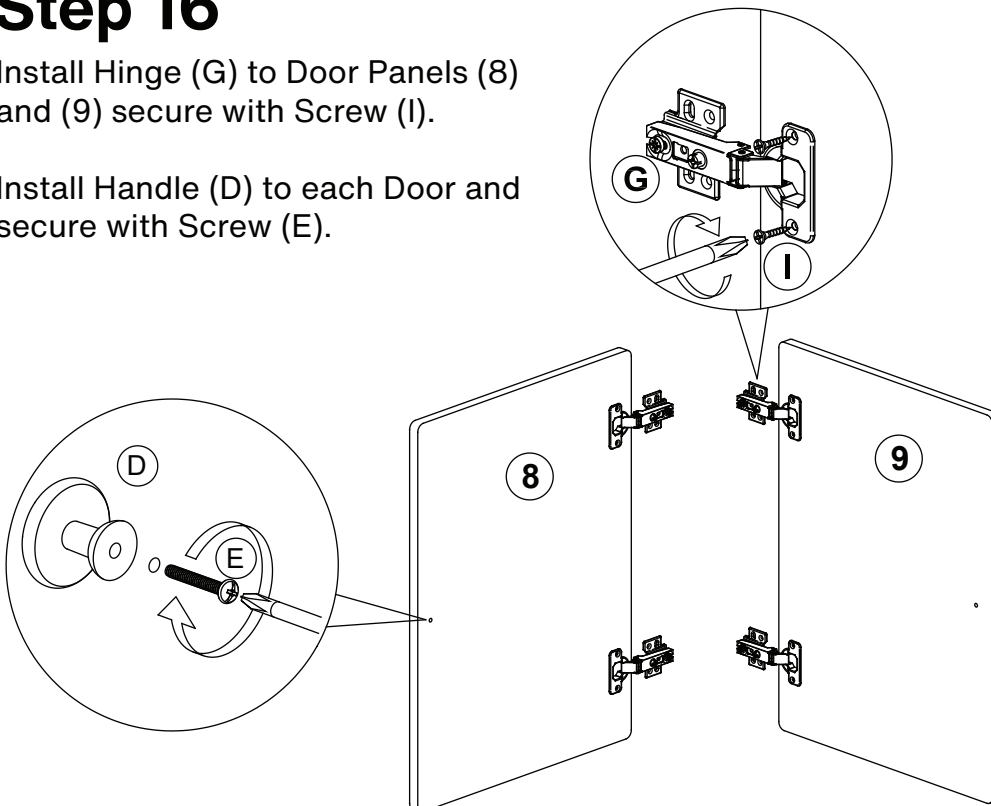
| | | | | |
|---|--|---|---|---|
| (D) x 3 | (E) x 3 | (H) x 3 | (I) x 12 | (M) x 6 |
|  |  |  |  |  |
| Handle 1604 | Handle Screw M4x20 | Drawer Slide 350mm | M3.5x16mm Screw | Minifix Cap |

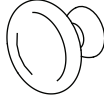

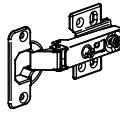
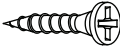


Step 16

Install Hinge (G) to Door Panels (8) and (9) secure with Screw (I).

Install Handle (D) to each Door and secure with Screw (E).



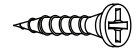
| | |
|---|---|
| (D) x 2 | (E) x 2 |
|  |  |
| Handle 1604 | Handle Screw M4x20 |
| (G) x 4 | (I) x 8 |
|  |  |
| Hinges (F011) | M3.5x16mm Screw |

Step 17

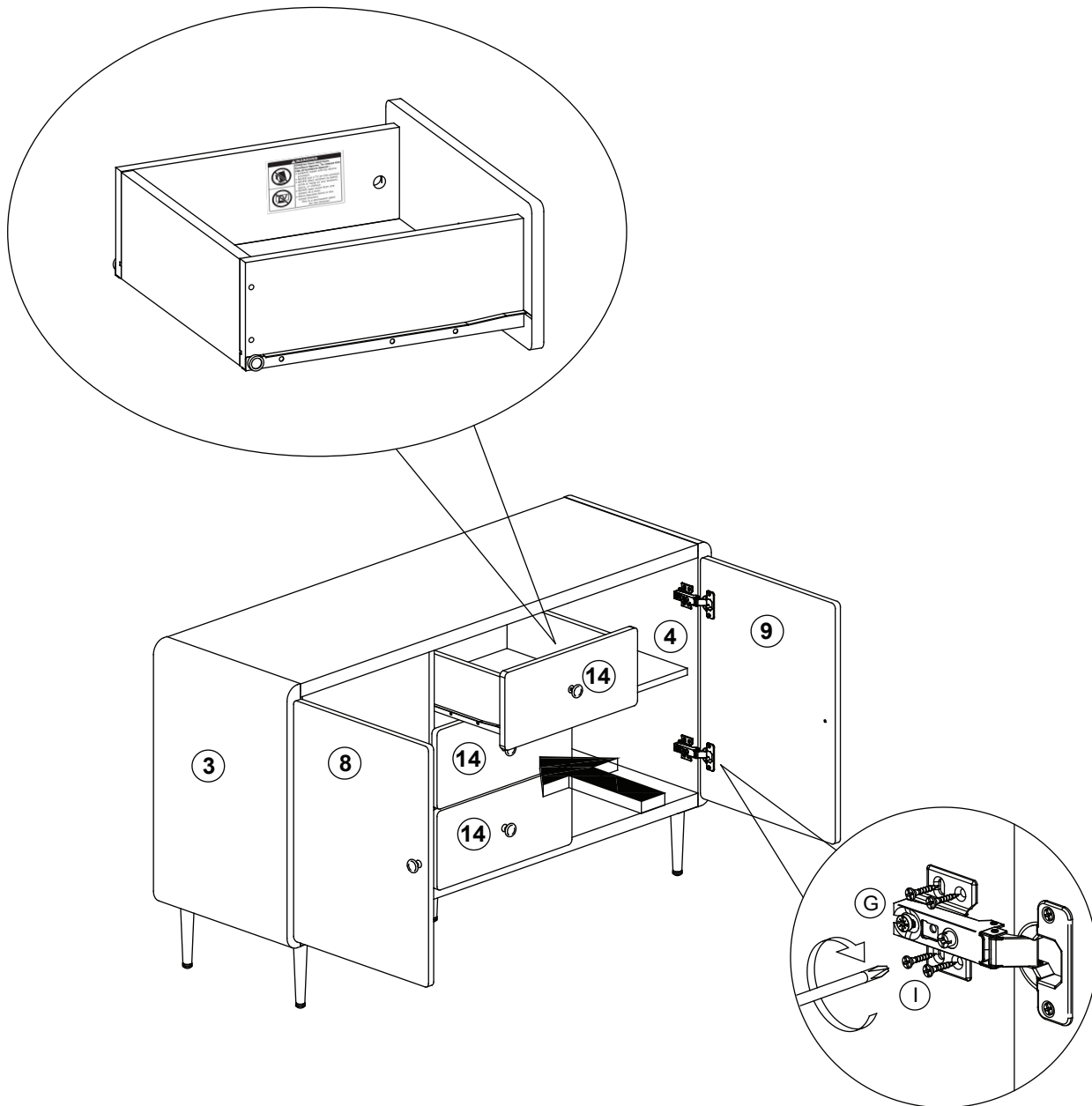
Attach Door Panel-L (8) to Side Panel (3) and Door Panel-R (9) to Side Panel (4). Secure both doors with Screws (I).

Insert all Drawers (14) into the cabinet. Place the drawer with the sticker on top to make it easy to find.

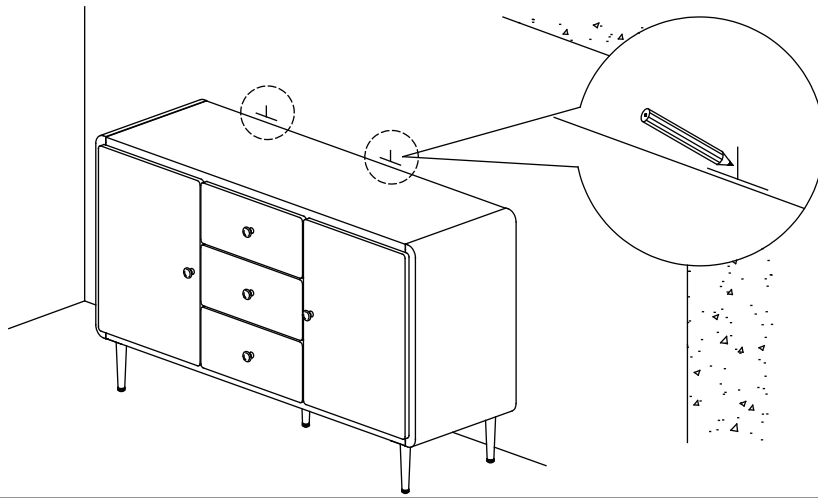
I X 16



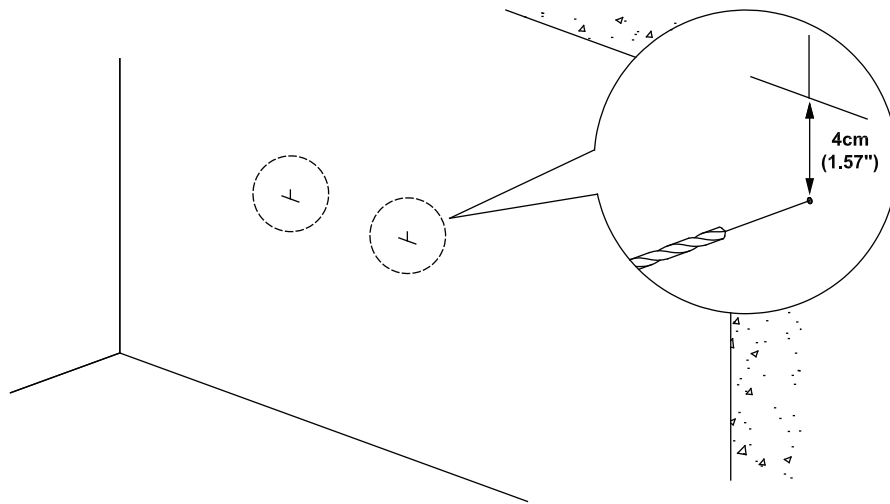
M3.5x16mm
Screw



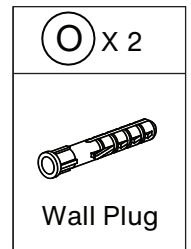
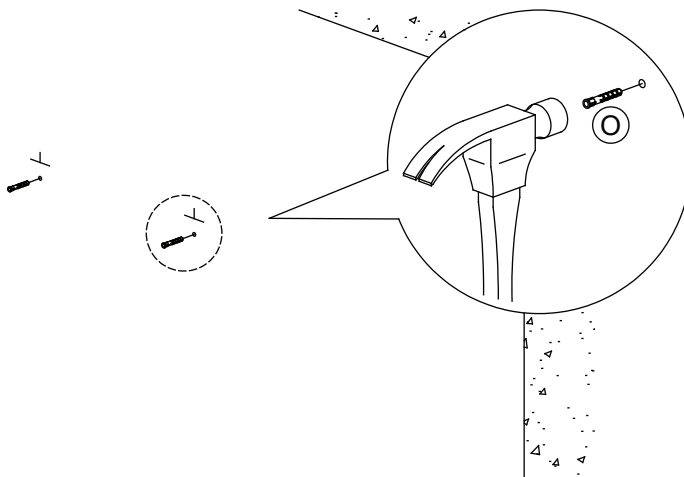
FURNITURE TIPPING RESTRAINT



1. First mark the wall with pencil as in diagram.

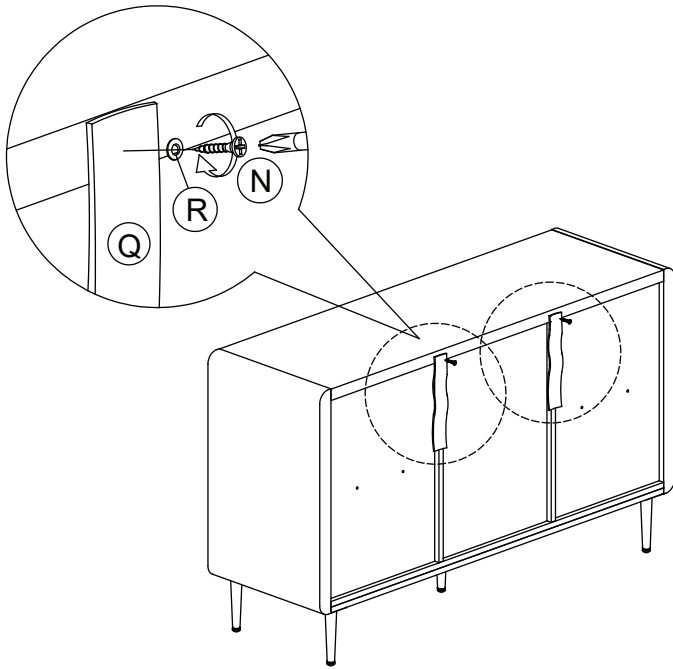


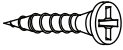

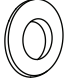
2. Drill small hole at the pencil mark.



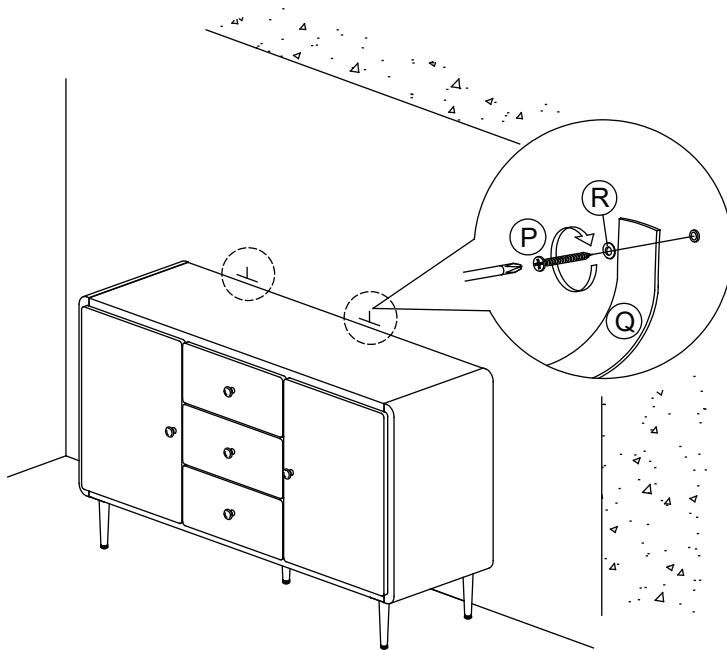
3. Insert plastic wall plug (O).



FURNITURE TIPPING RESTRAINT



| | | |
|---|---|---|
| (N) x 2 | (Q) x 2 | (R) x 2 |
|  |  |  |
| M3.5x16mm Screw | Safety Strap 25mm | Flat Washer 4.5x10x1mm |

4. Add Safety Strap (Q), Washer (R) using Screw (N) to back of cabinet.

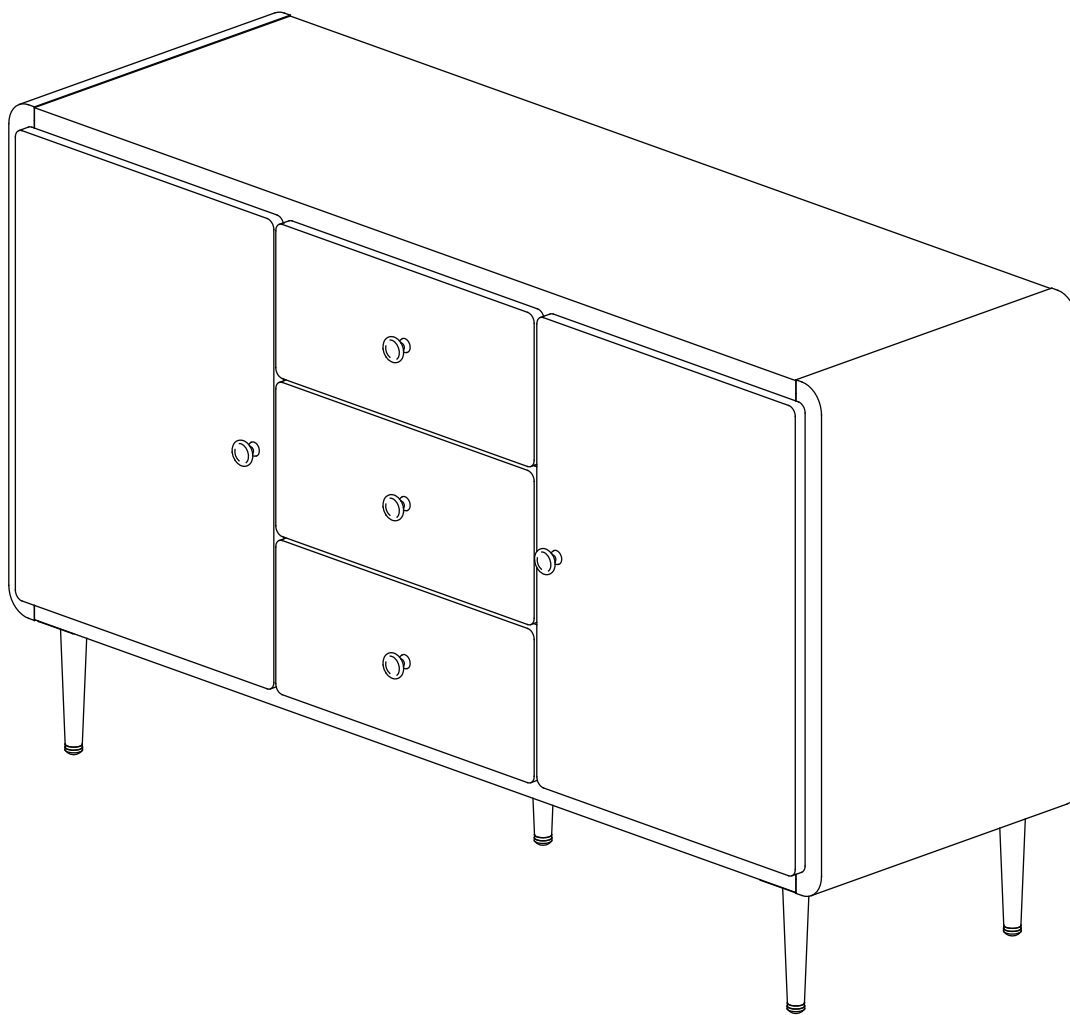


| | |
|---|---|
| (P) x 2 | (R) x 2 |
|  |  |
| M4x30mm Screw | Flat Washer 4.5x10x1mm |

5. Finally, attach Safety Strap (Q) and Washer (R) using Screw (P) to the wall.

VOILA!

Now enjoy.



Warning

DO NOT sit or stand on the buffet cabinet as this may damage the product and cause serious bodily injury.