

1-Light Adjustable Wall Sconce

Caution: Please turn off power before installation and read the manual carefully, we advise you contact professional electricians to install for safety purpose.

Product Features

Style: Modern

Material: Metal

Color: Gold

Base Type: E26

Light Source Included: NO

Voltage: 120VAC

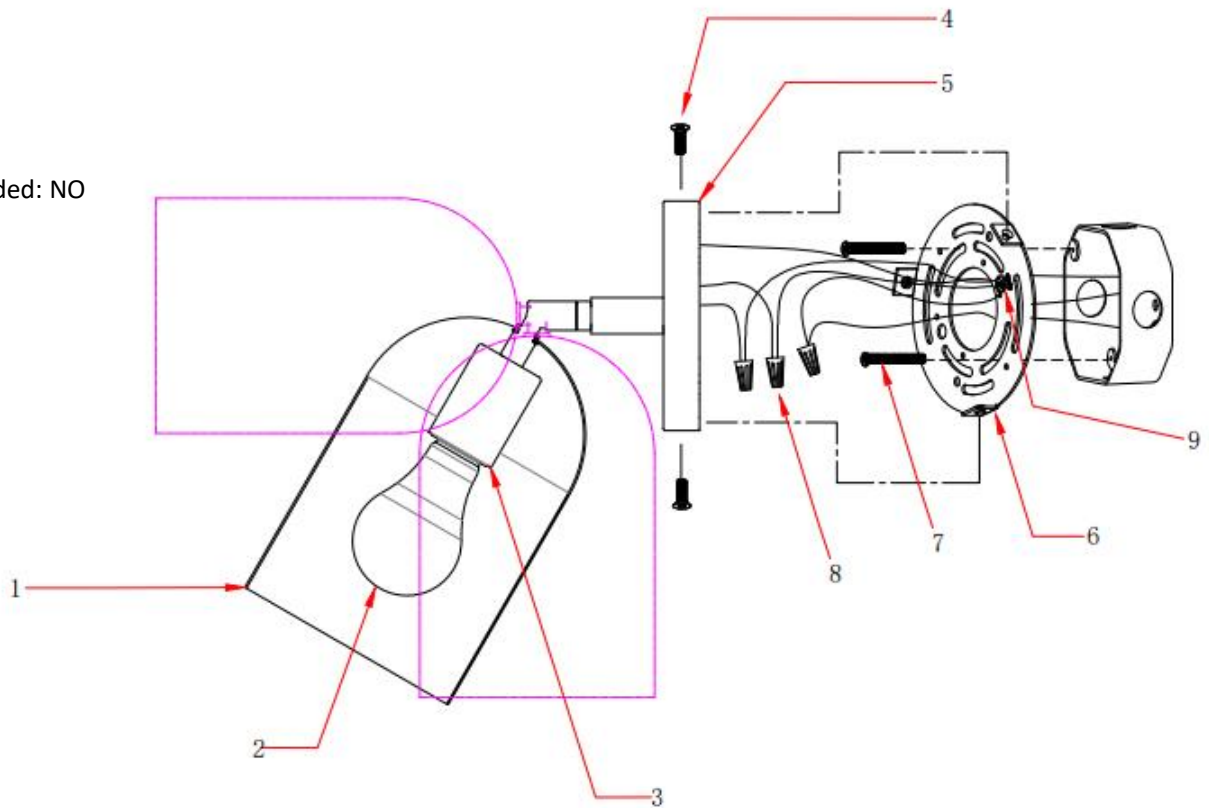
Wattage: 60W

Package includes

1 x Wall Sconce

1 x Accessories Kit

1 x User's Manual



Installation Instructions

- Remove the mounting plate (6) from the canopy (5), and then attach the mounting plate (6) to the junction box using the supplied mounting screws (7).
- According to the local electrical regulations, connect the positive wire of the fixture wire (black wire) to the positive wire (+) of the main wire with wire nuts (8); Likewise, Connect the negative wire (white wire) to the negative wire (-) of the main wire with another wire nuts (8). Secure the ground wire of the fixture and the external ground wire to the mounting plate (6) with green screw (9). Do not expose the bare wire to prevent leakage.
- Place the wires back into the junction box, and secure the canopy (5) on the light fixture to the mounting plate (6) using the small screws (4).
- Assemble the bulb (2) (not included) onto the lamp holder (3). The maximum wattage of the bulbs refer to the warning label stick on the external lamp holder (3).
- The lampshade (1) can be adjusted up, down, left, and right by 90 degrees.

Note: Please use this product accordingly to its intended purpose, do not retrofit or remodeling the product. The warranty does not cover if the failure is caused by the third party product, or natural disasters.