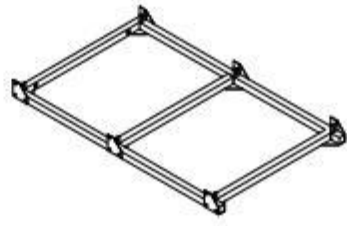
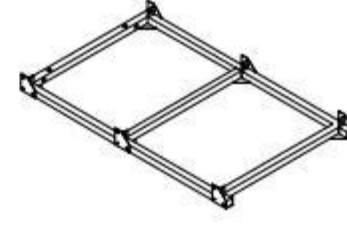



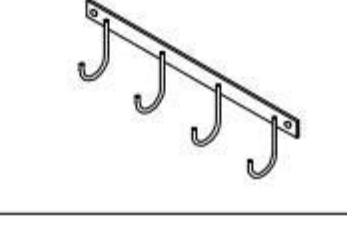
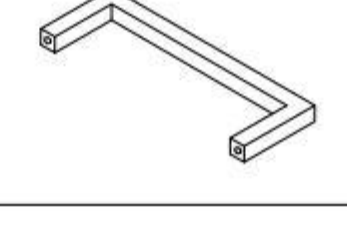
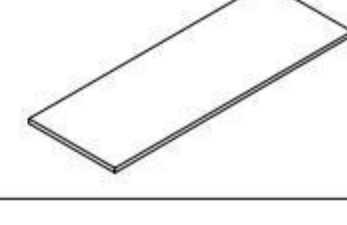
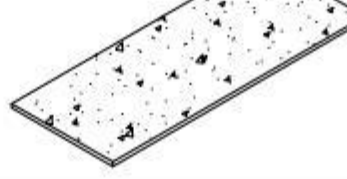
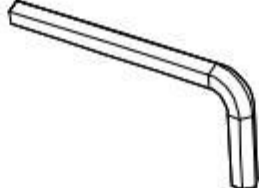

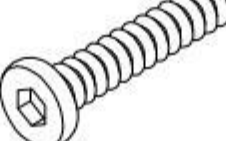
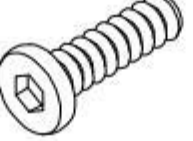



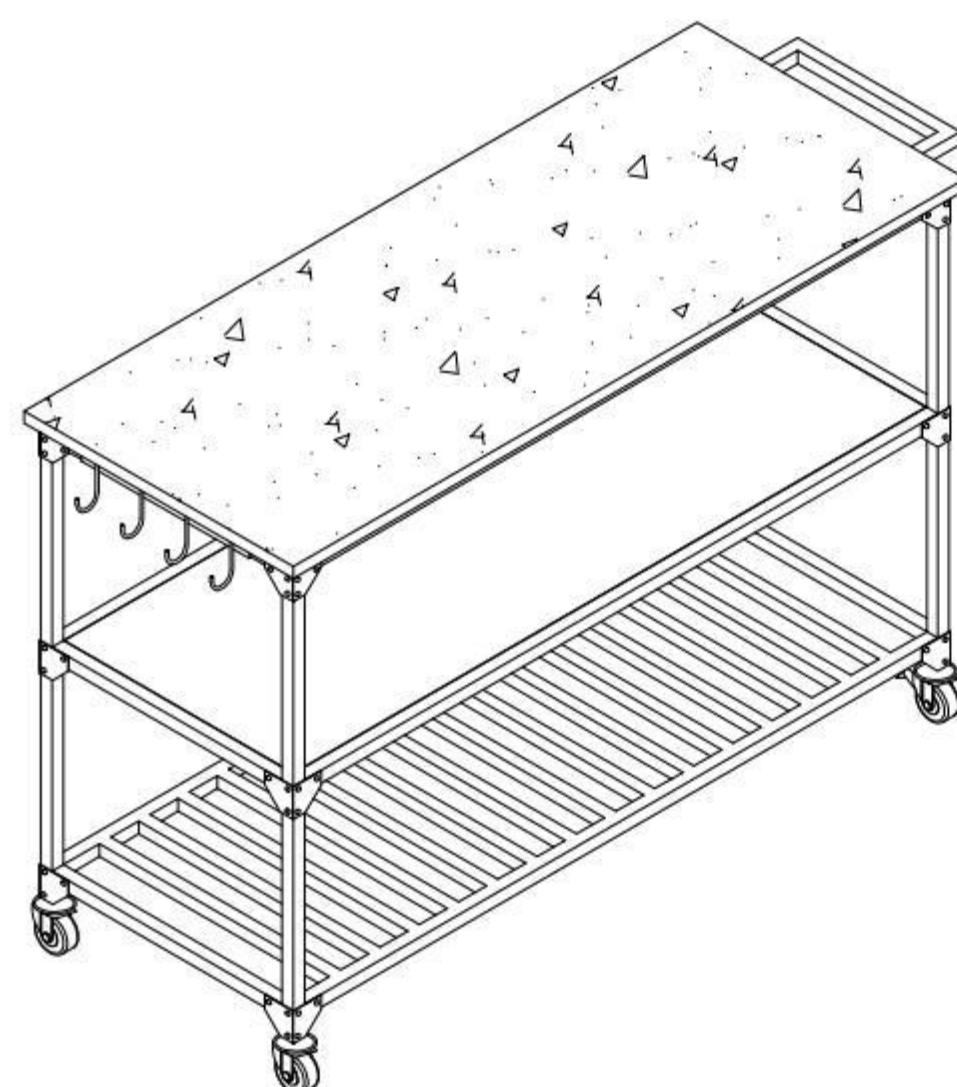



# Assembly Instruction

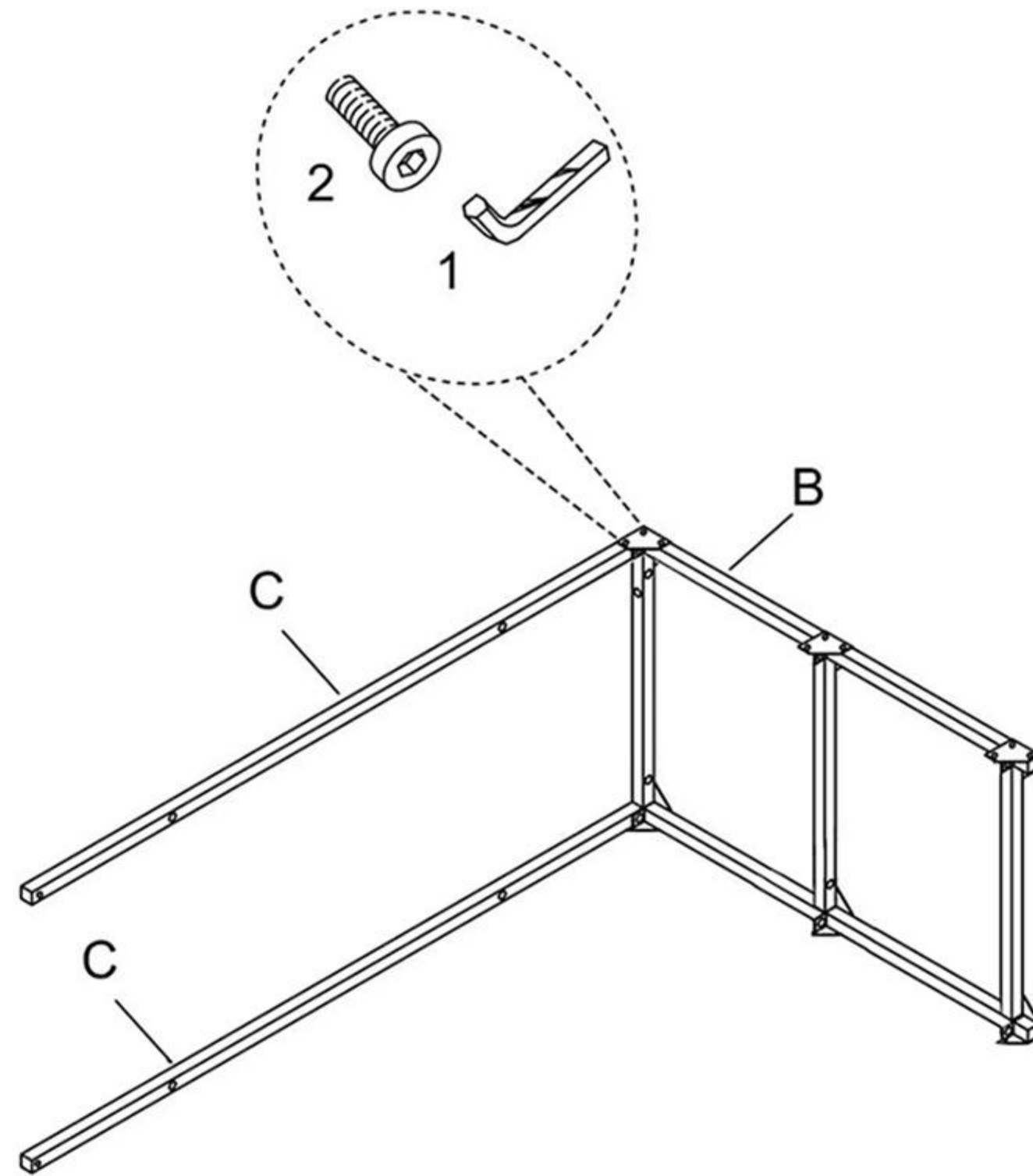
Parts List			
Item	Description	Part	Qty Pcs
A	Left Frame		1
B	Right Frame		1
C	Top RAIL		2
D	Lower RAIL		2
E	Bottom Frame		1
F	Pothook		1
G	Hand Rail		1
H	Middle Panel		1
I	Top Panel		1


Hardware List			
Item	Description	Part	Qty Pcs
1	Allen Wrench		1
2	Bolt	 M6*12mm	20
3	Bolt	 M6*35mm	2
4	Bolt	 M6*30mm	8
5	Spanner		1
6	Castor (With Brake)		2
7	Castor		2

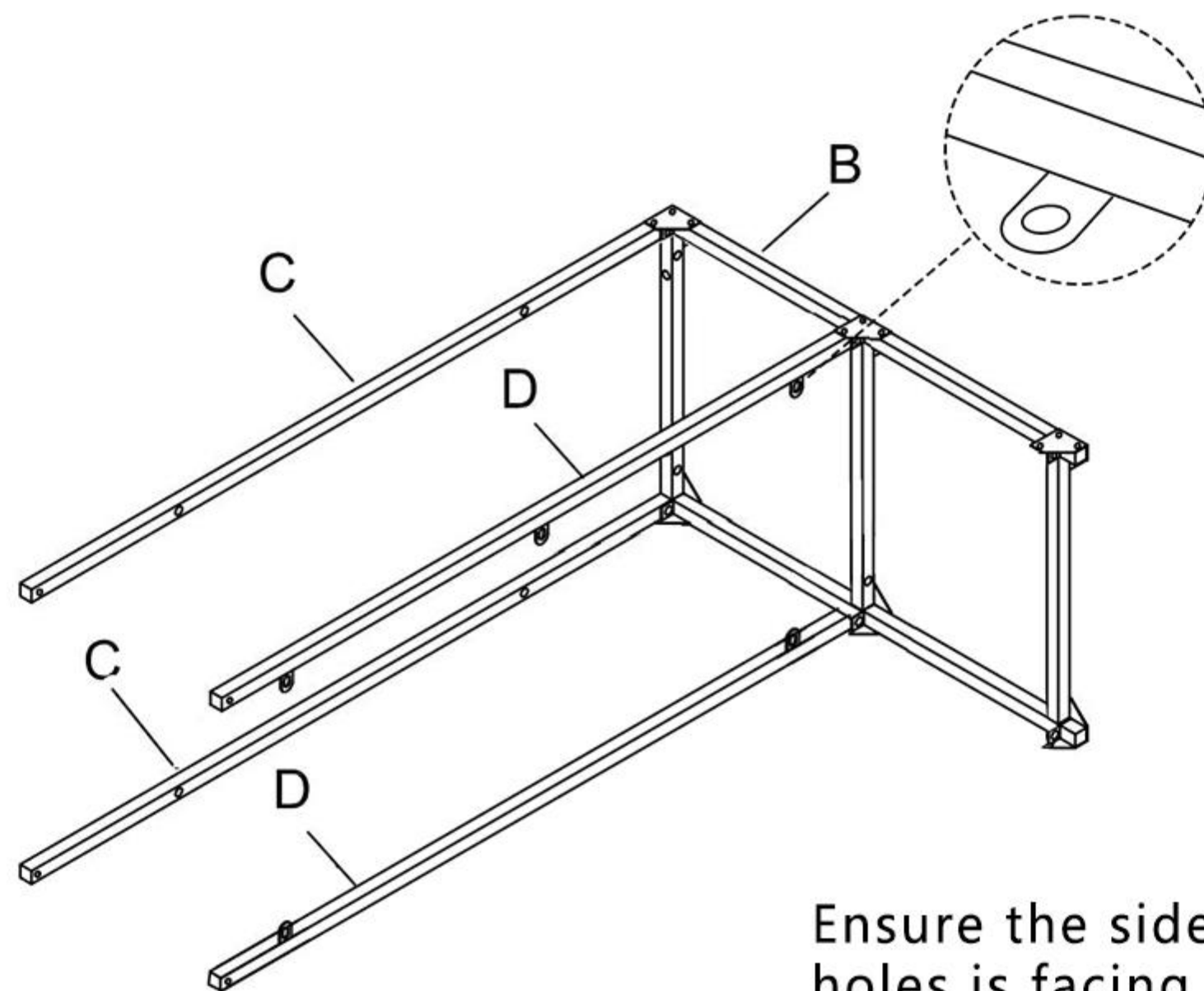


# STEP 1

2	Bolt	 M6*12mm	2
---	------	--	---




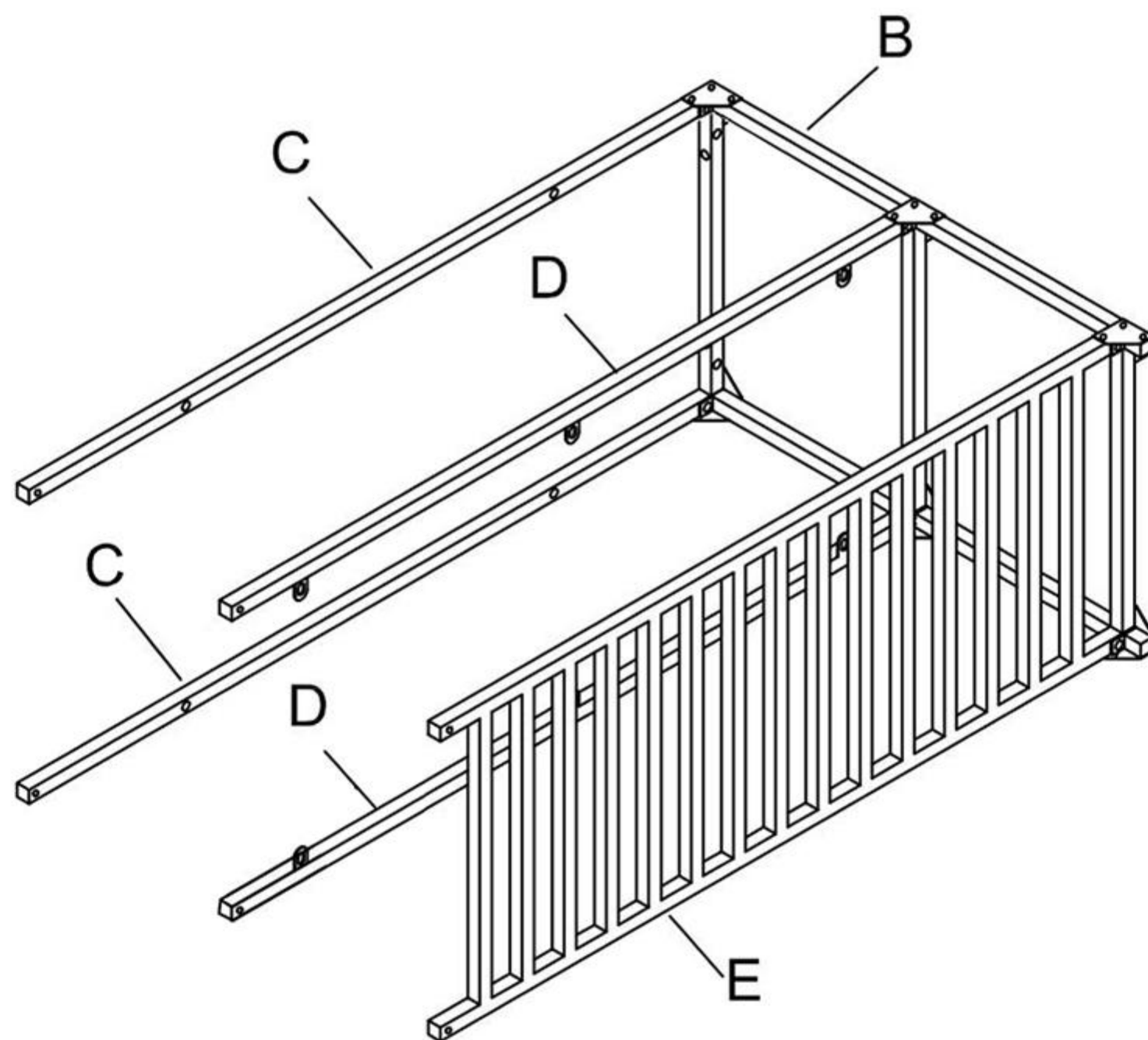
2	Bolt	 M6*12mm	2
---	------	--	---

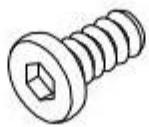


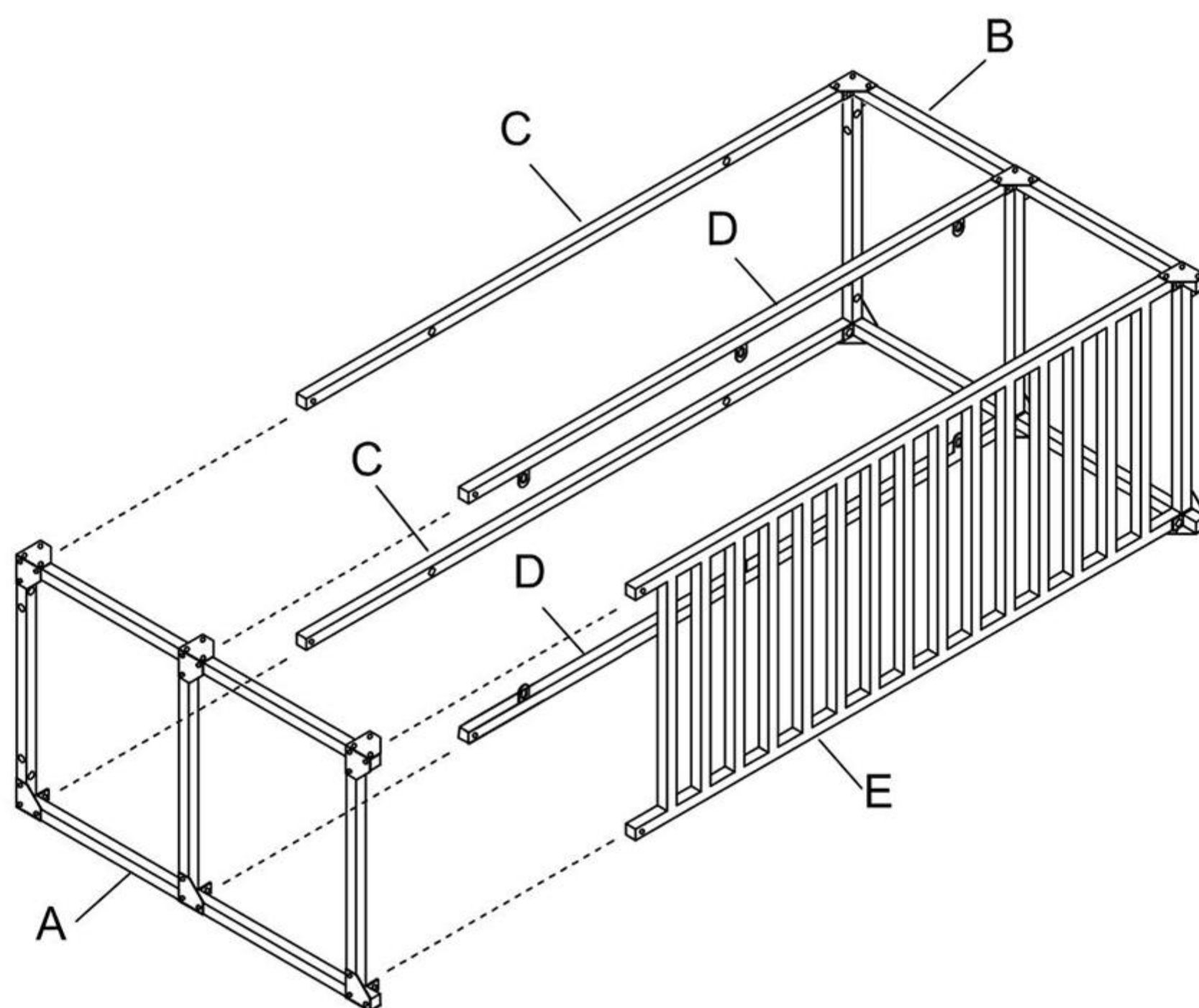
Ensure the side with 3 bracket holes is facing inward and down to support the panel.

# STEP 2

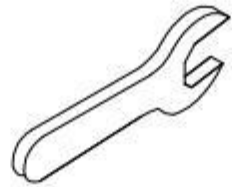


2	Bolt	 M6*12mm	2
---	------	--	---

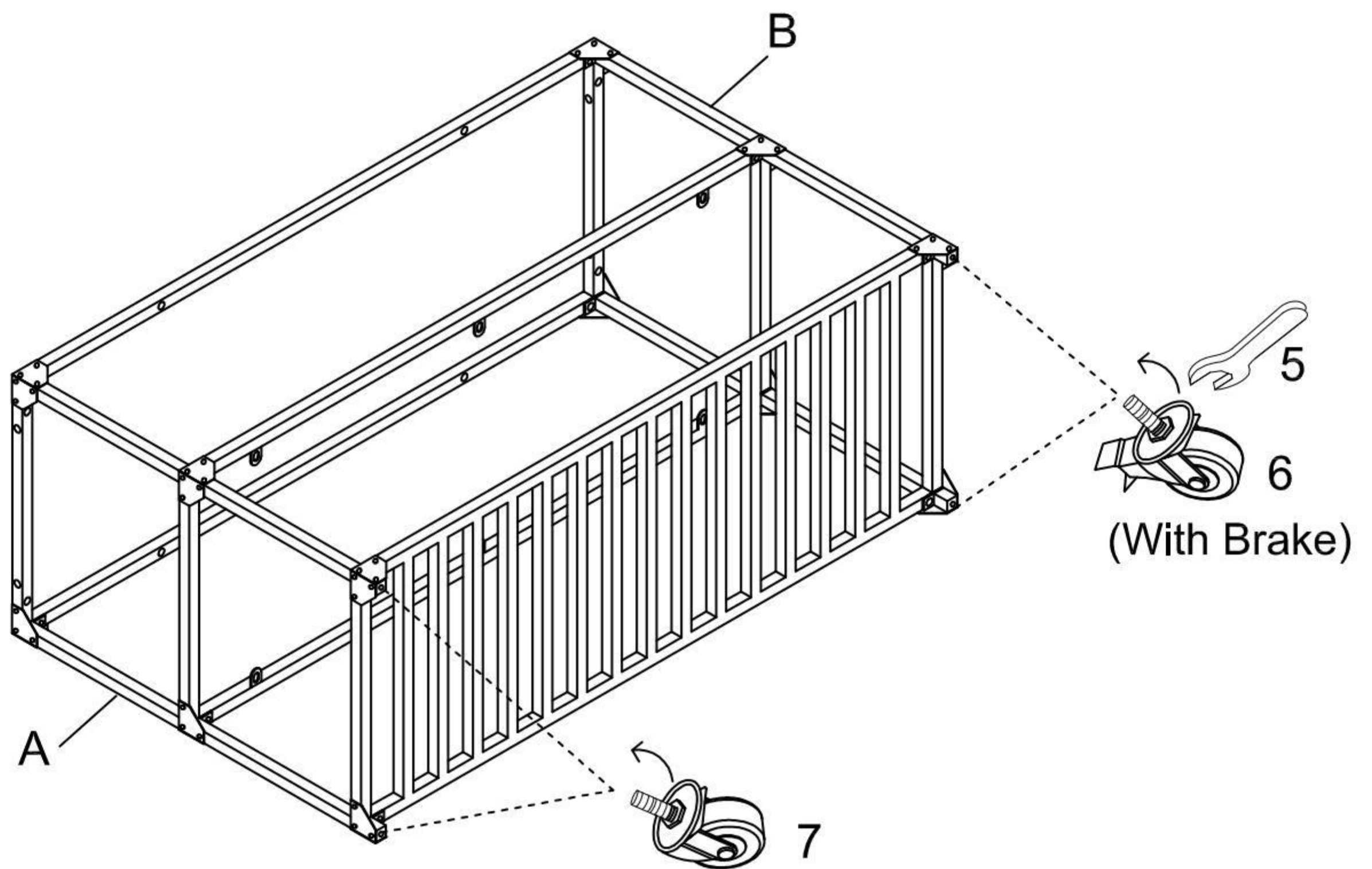


2	Bolt	 M6*12mm	6
---	------	--	---





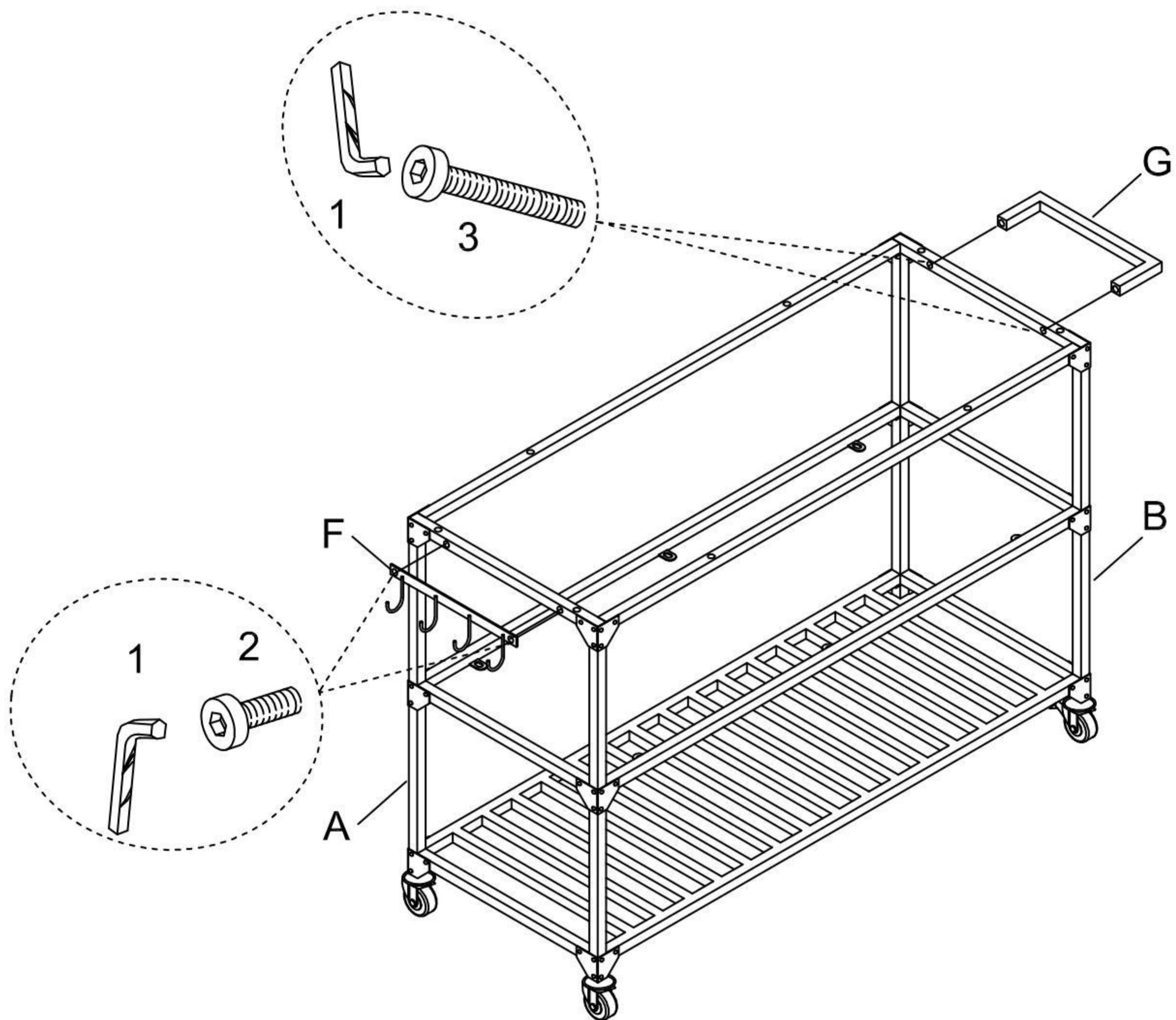
# STEP 3

5	Spanner		1
6	Castor (With Brake)		2
7	Castor		2




# STEP 4

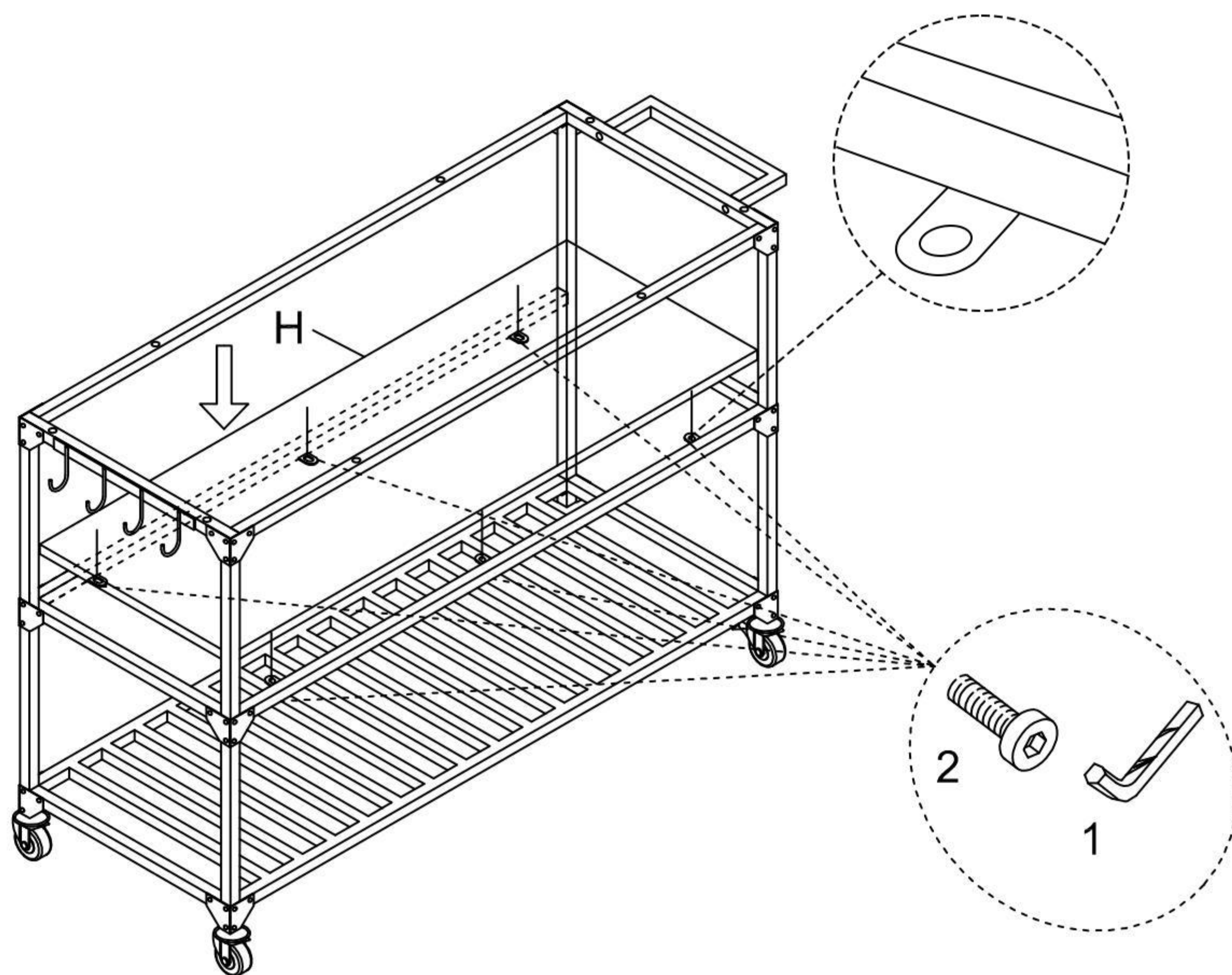
2	Bolt	 M6*12mm	2
3	Bolt	 M6*35mm	2




# STEP 5

2	Bolt	 M6*12mm	6
---	------	--	---

Ensure the side with 3 bracket holes is facing inward and down to support the panel.



# STEP 6

4	Bolt	 M6*30mm	8
---	------	--	---

