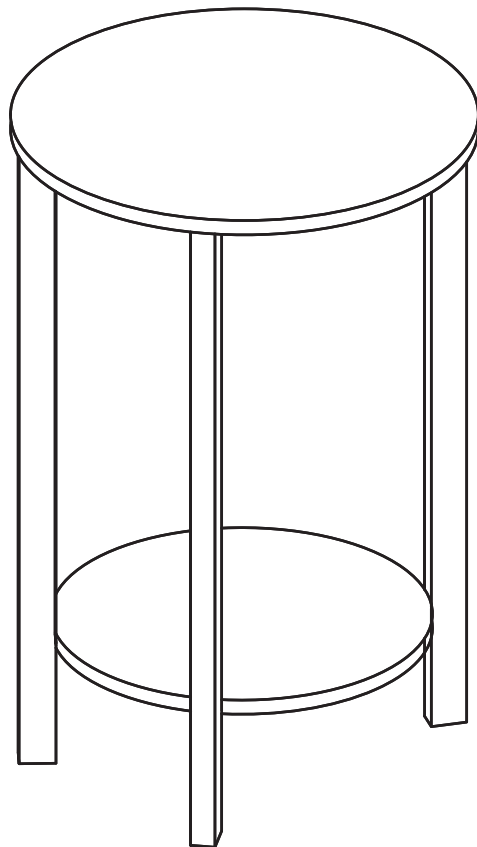


31" PLANT STAND



ASSEMBLY INSTRUCTIONS

We have designed our furniture with you , the customer in mind . Our clear , easy to follow , step by step instructions will guide you through the project from start to finish . Feel confident that this will be a fun and rewarding project . The final product will be a quality piece of furniture that will go together smoothly and give years of enjoyment .

Accessories list

A

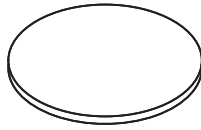


Screw (9pcs)

B



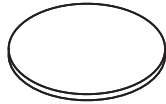
Allen wrench (1pc)



Top Panel ① (1pc)

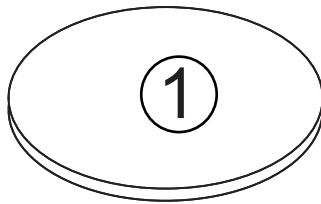


Leg ③ (3pcs)



Bottom Panel ② (1pc)

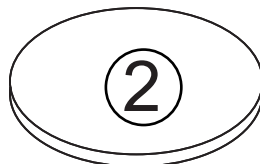
Exploded Views



③



③

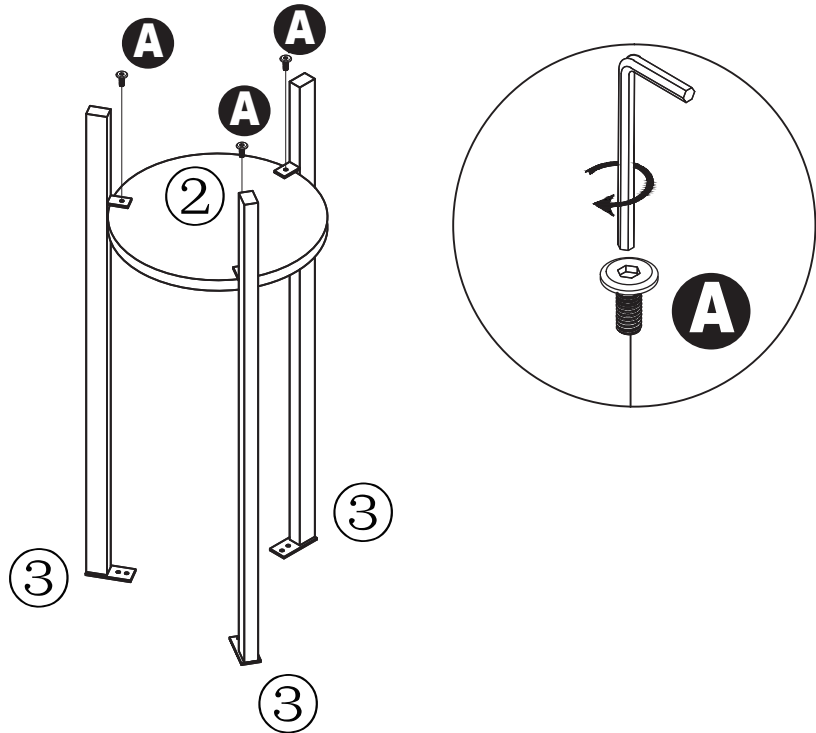


③



Step 1

1. Connect Leg (3) to Bottom Panel (2) using Screw (A) as shown.



Step 2

1. Place Top panel (1) upside down on carpet or other soft surface.
2. Connect Top panel (1) to frame assembly using screws (A) and allen wrench (B).
3. Finish.

