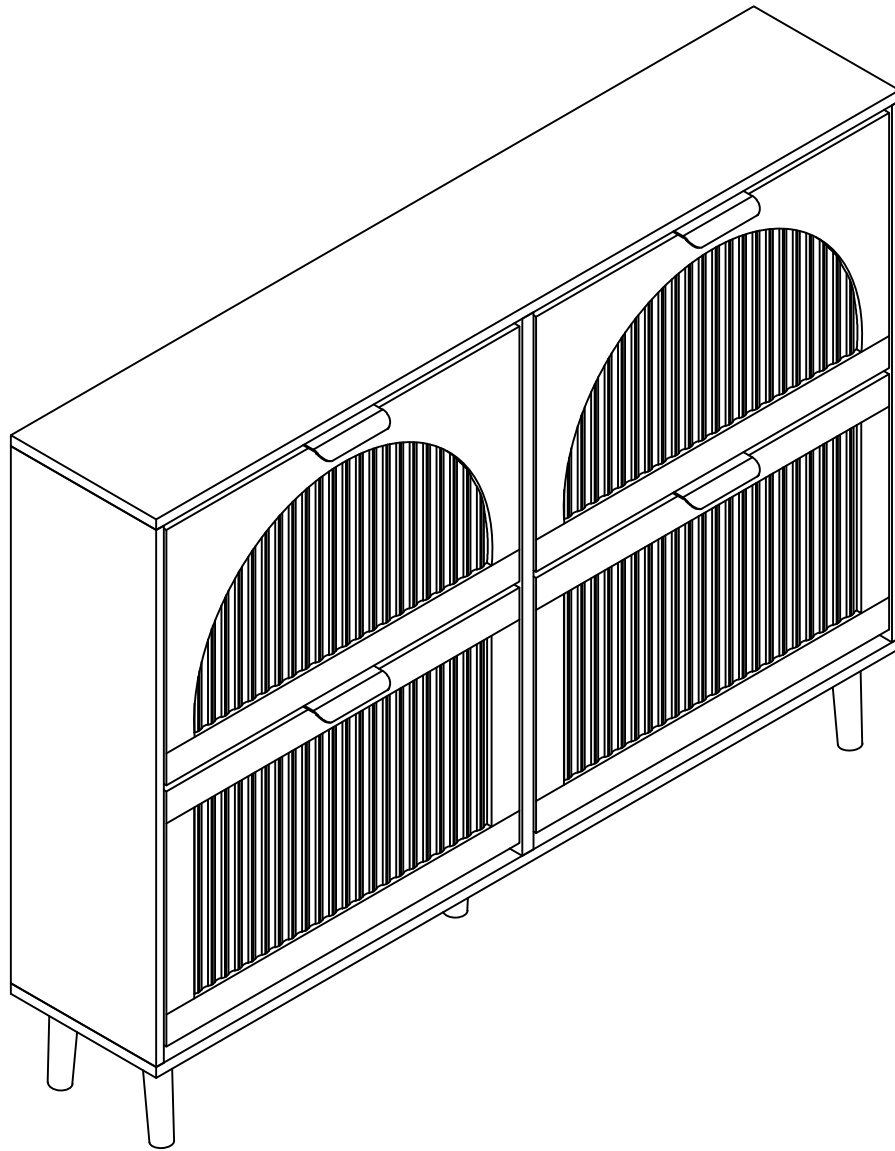
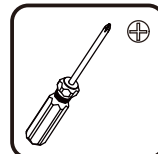
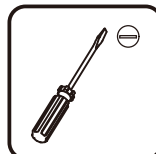


Installation & Assembly

Version:1.0



IT IS RECOMMENDED
TO USE POWER TOOLS

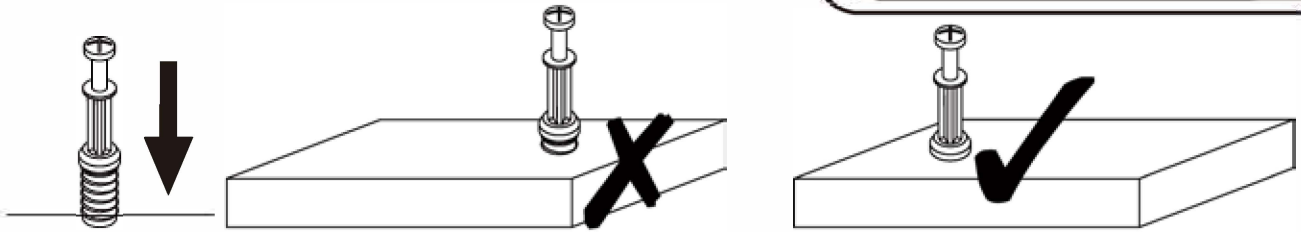


90MIN

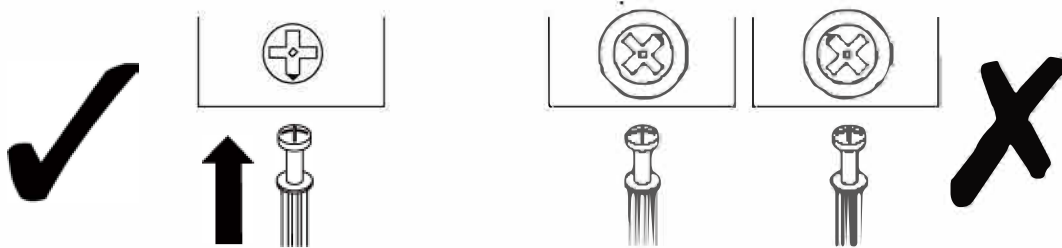


EN_IMPORTANT, RETAIN FOR FUTURE REFERENCE: READ CAREFULLY.

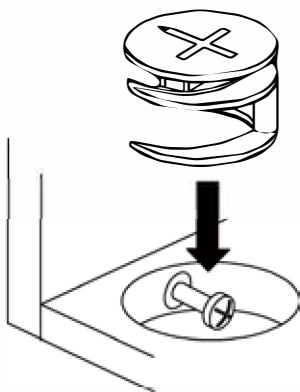
USING CAM LOCK AND QUICKFIT



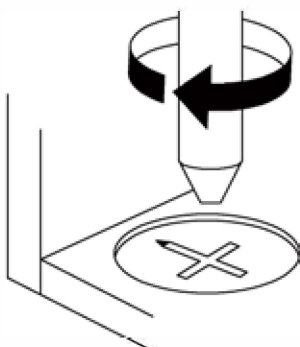
EN_QUICKFIT: Tighten quickfit until shoulder is flush with panel. Do not overtighten or undertighten.



EN_CAM LOCK: When fitting cam lock, ensure starting position is correct before you insert connecting quickfit.

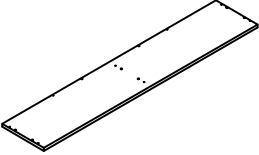
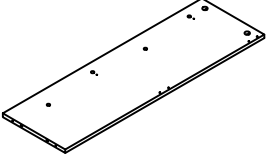
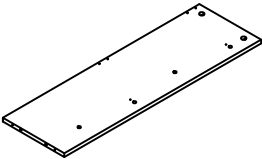
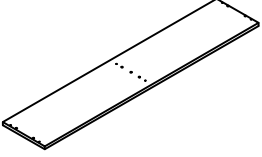
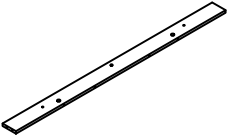
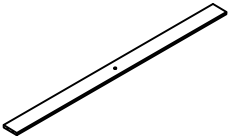

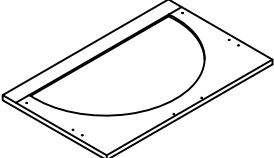
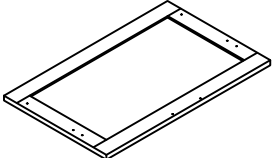
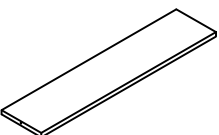


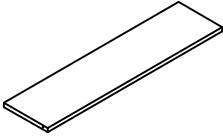
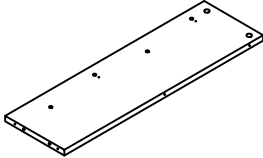
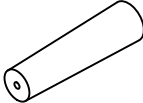

EN_Quickfit head should be in the centre of the cam lock when the two panels are joined.
Cam lock should be inserted before quickfit.

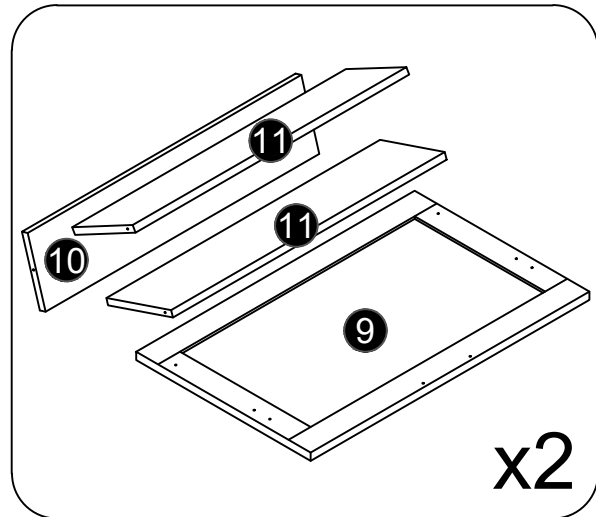
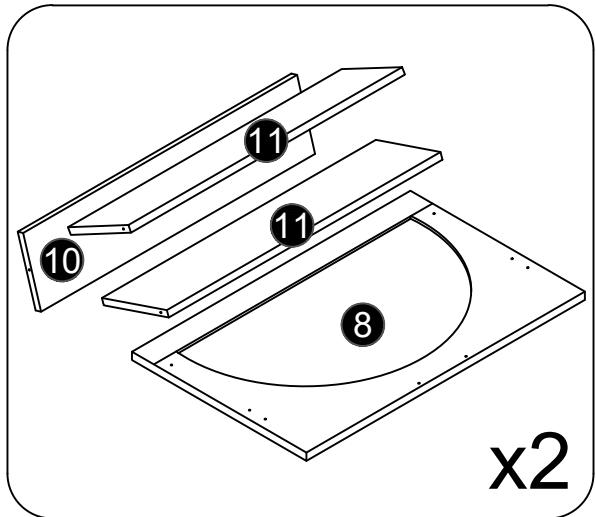
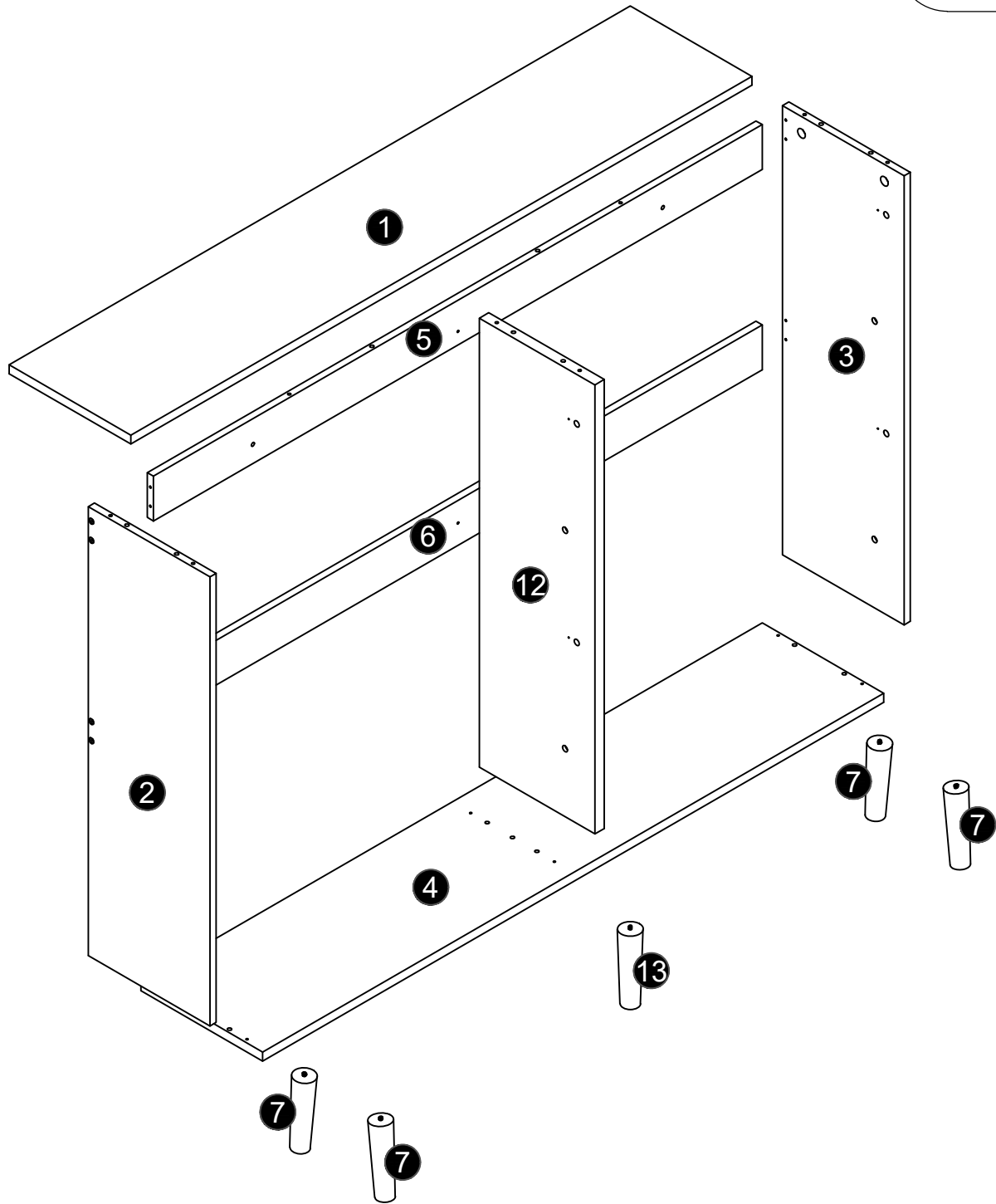


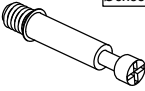

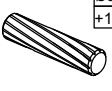
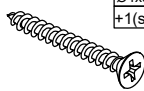
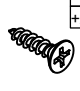
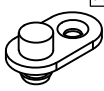
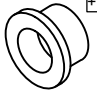
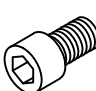

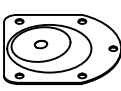
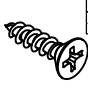


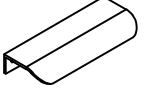



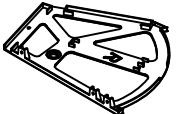

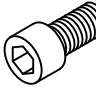
EN_Turn cam lock clockwise to tighten.



PACKING DETAILS

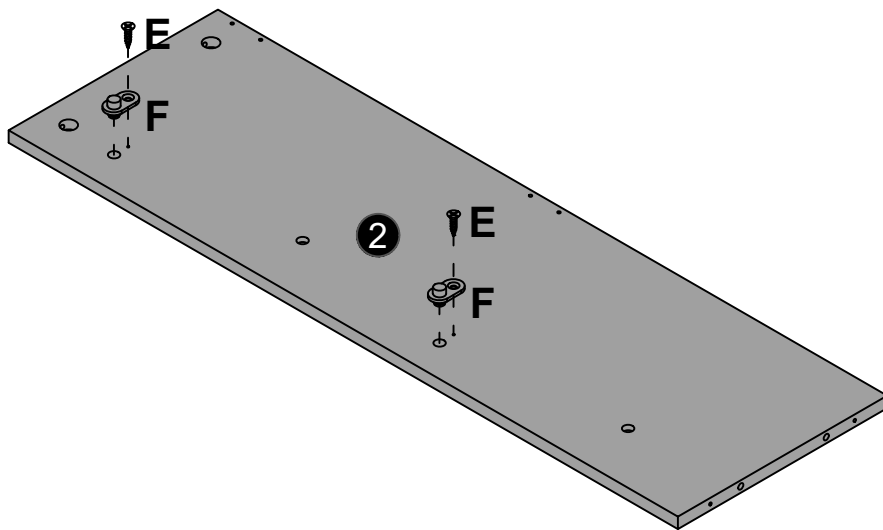
NO.	PARTS	QTY	SPARE
①		x1	
②		x1	
③		x1	
④		x1	
⑤		x1	
⑥		x1	
⑦		x4	
⑧		x2	
⑨		x2	
⑩		x4	

NO.		QTY	SPARE
⑪		x8	
⑫		x1	
⑬		x1	
	 Hardware Kit	x1	



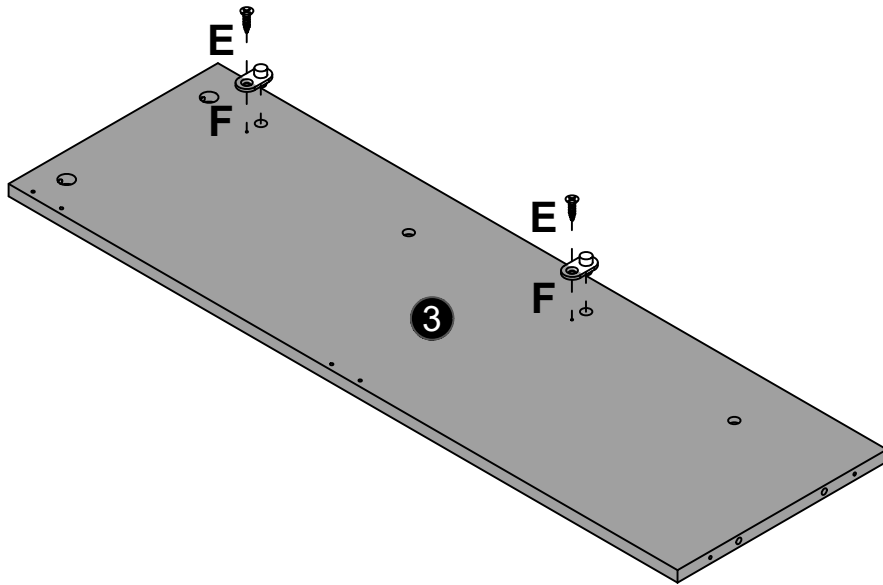
A x8 Ø6x35mm 	B x8 Ø15x10mm 	C x14 Ø6x30mm +1(spare) 	D x16 Ø4x35mm +1(spare) 	E x56 Ø3.5x12mm +2(spare) 	F x8 +1(spare) 
G x8 +1(spare) 	H x4 Ø6x12mm +1(spare) 	I x1 	J x4 	K x20 Ø4x14mm +2(spare) 	L x4 
M x4 	N x4 	O x2 O-1 O-2 	P x8 +2(spare) 	Q x8 	R x4 
S x1 	T x4 Ø6x14mm +1(spare) 				

E x2 	F x2 
--	--



E x2

F x2

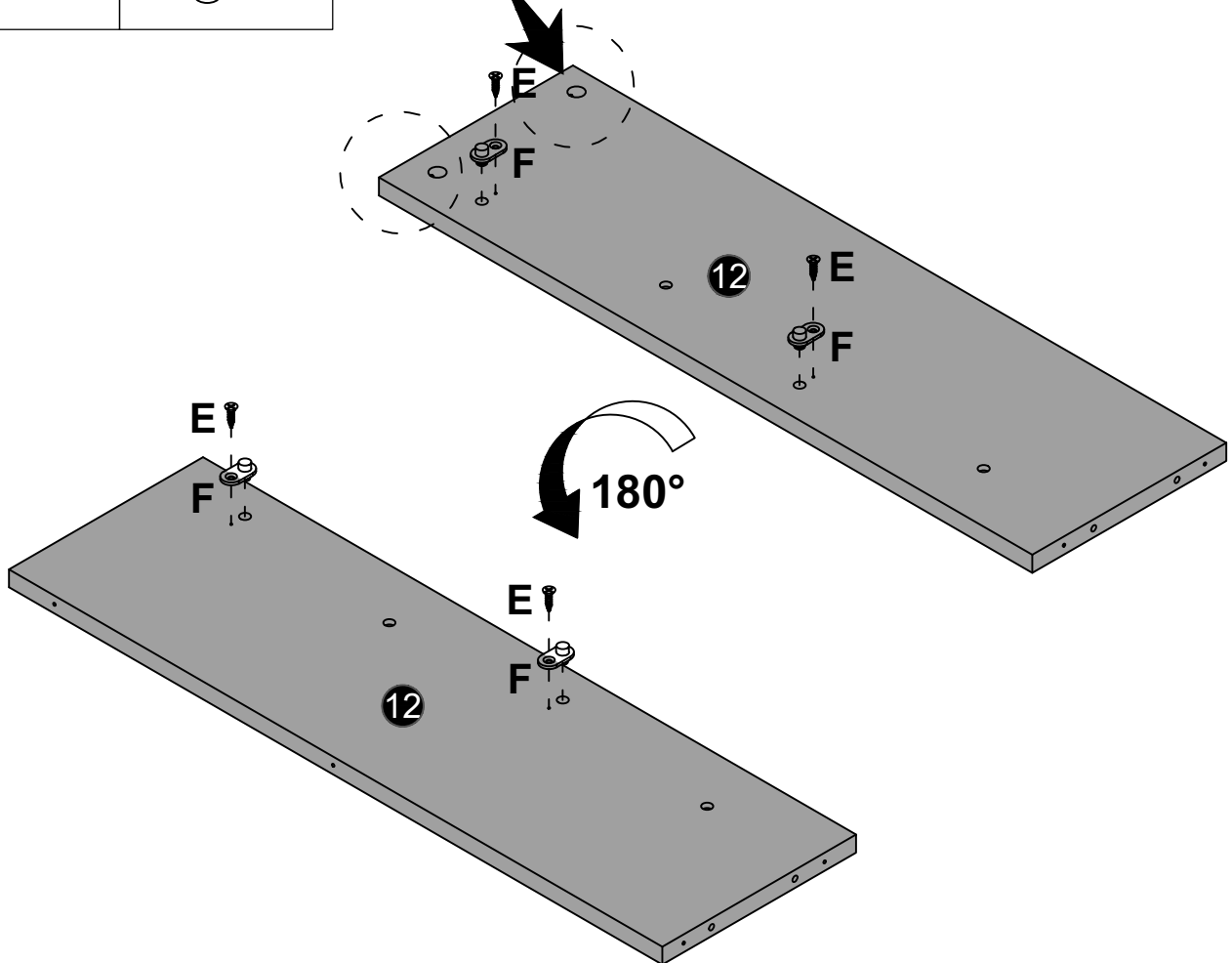


E x4

F x4



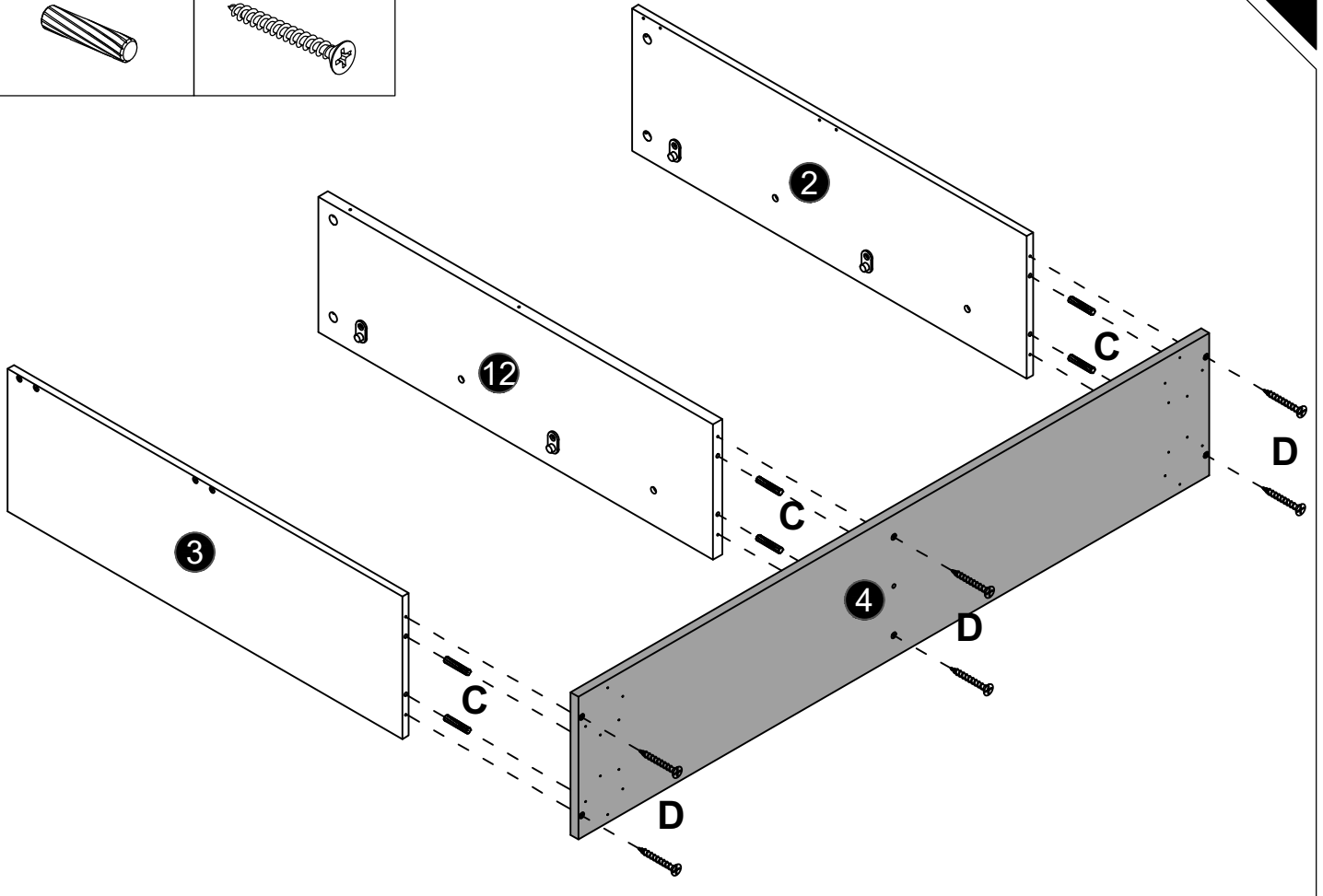
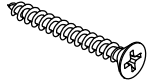
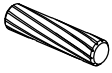
Notice



04

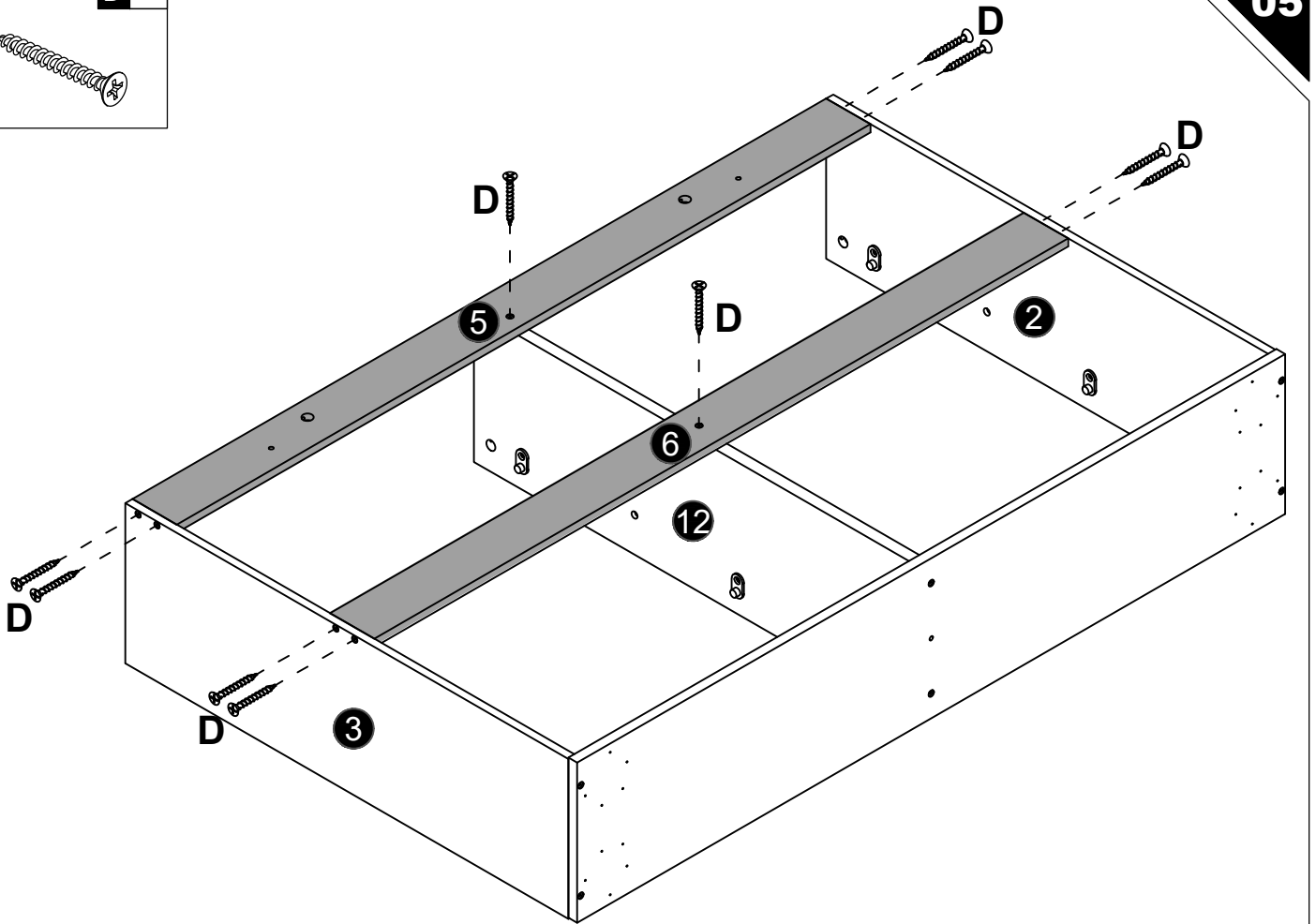
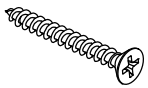
C x6

D x6



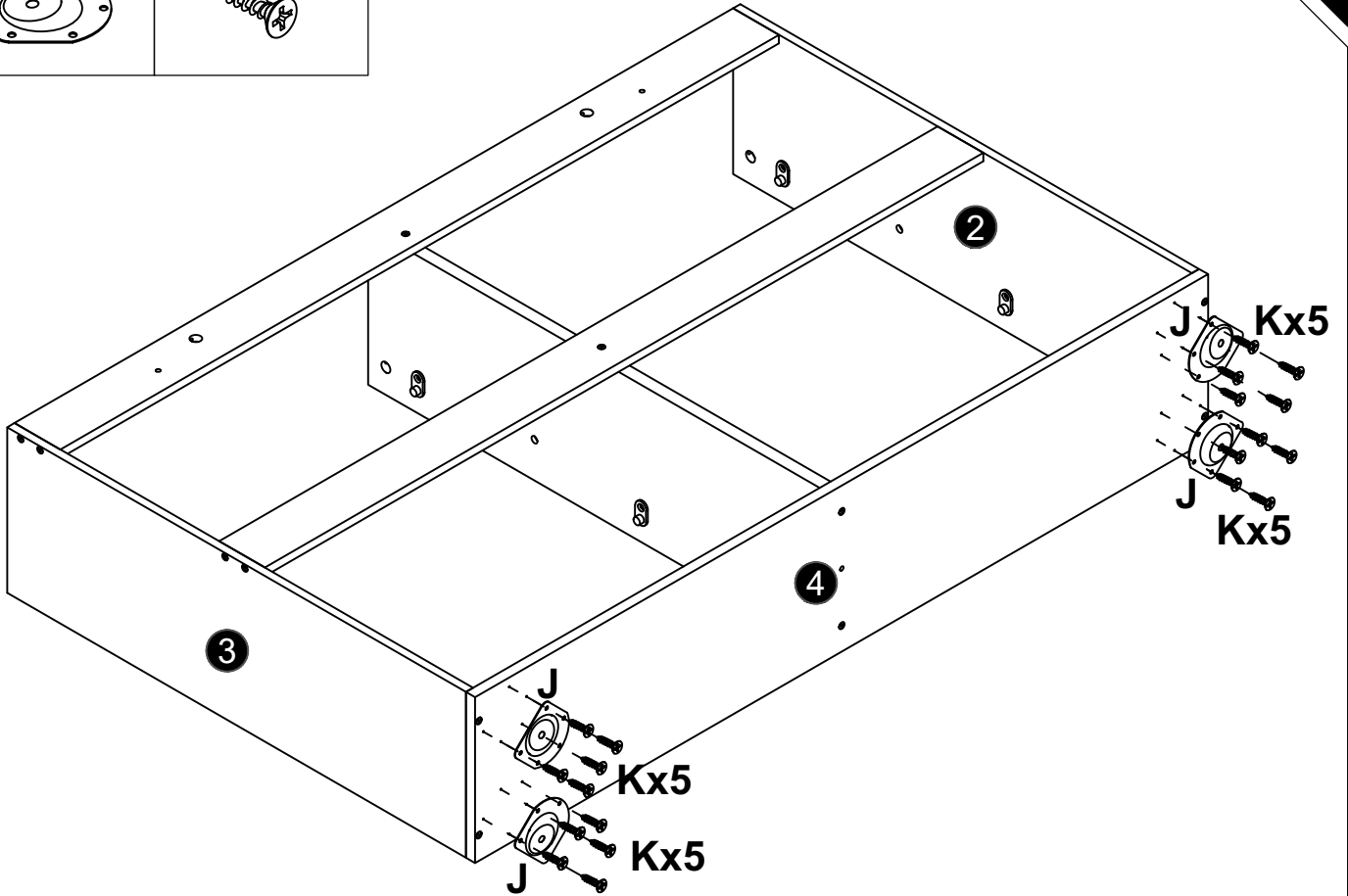
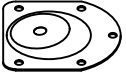
05

D x10



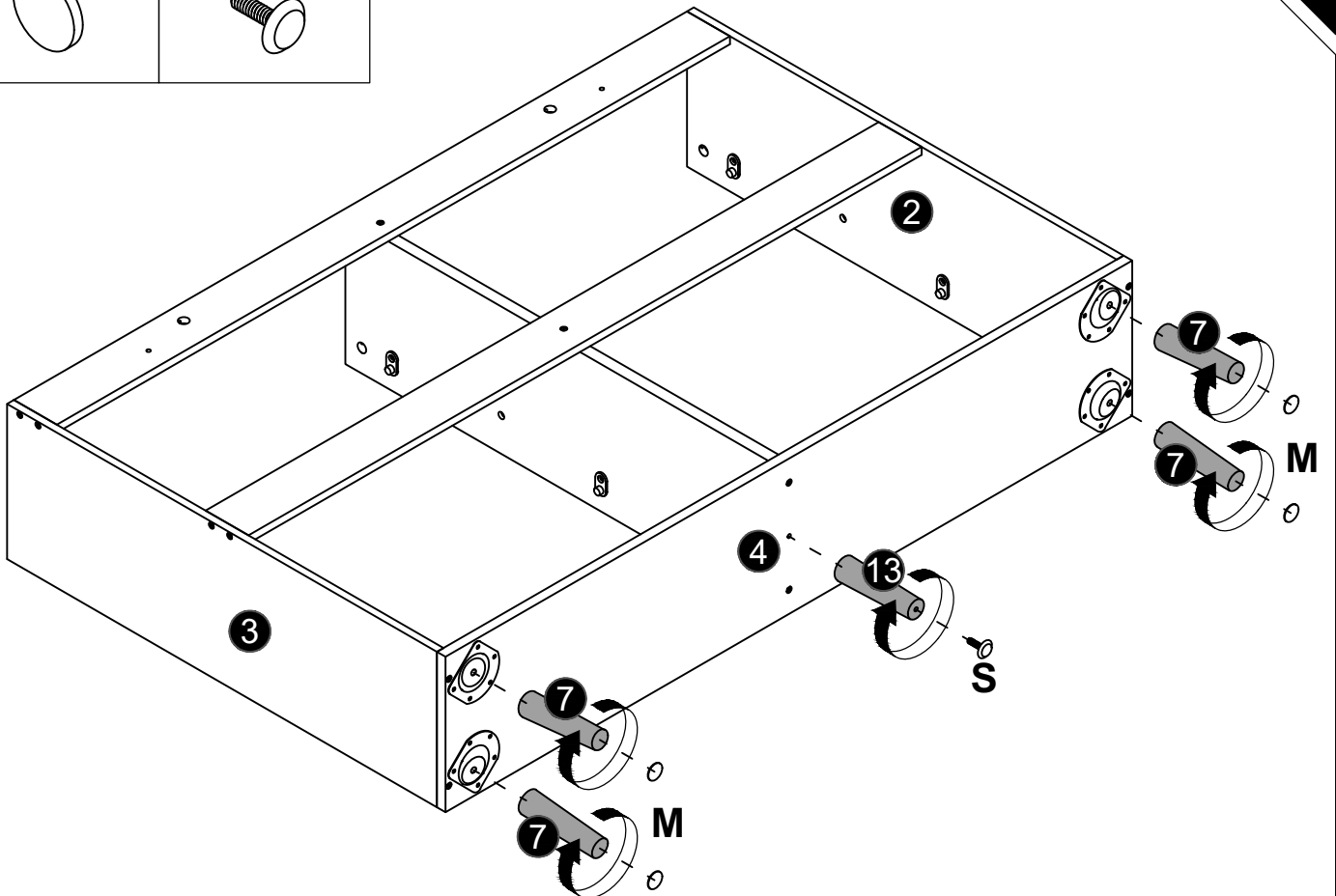
J x4

K x20

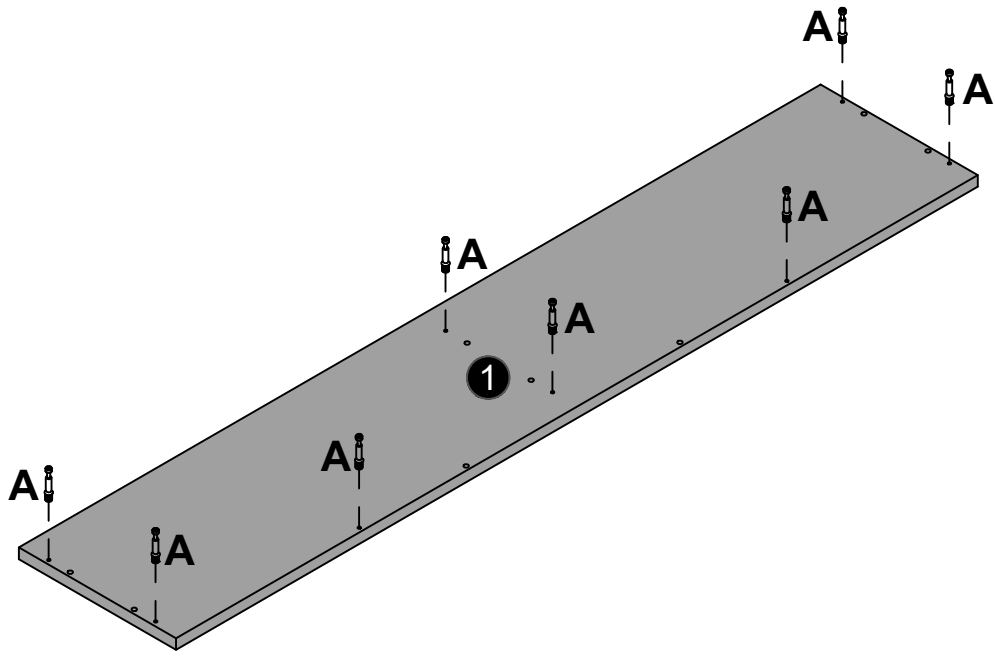
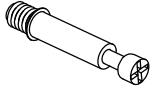


M x4

S x1



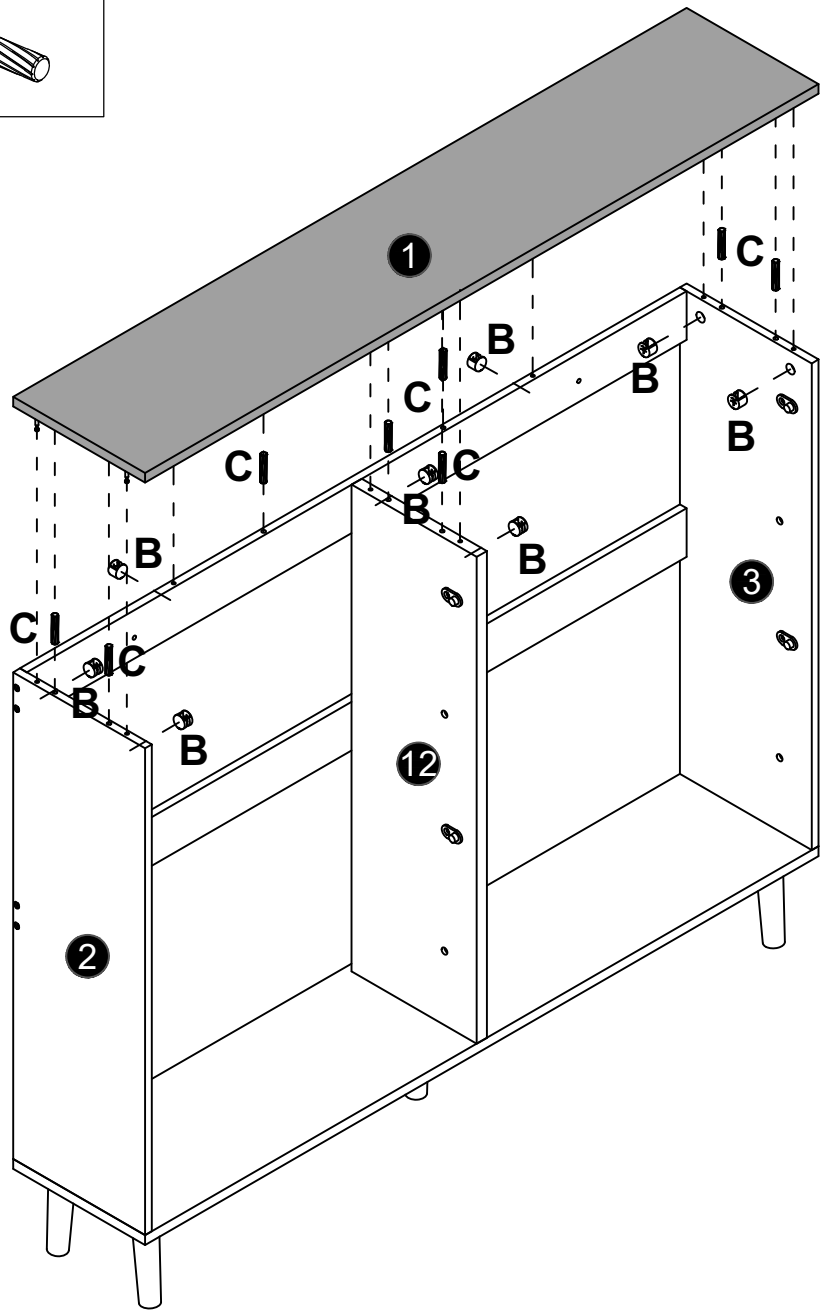
A x8



B x8



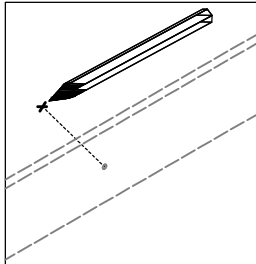
C x8



O x2



O-1 O-2



First fix the anti-rewind screw in the reserved hole of the product.

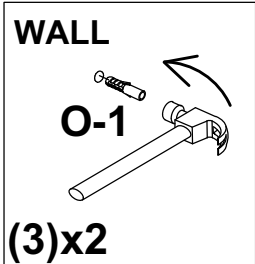
(1)x2

WALL



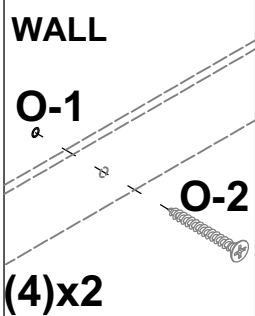
Then use a tape drill to make holes in the wall that are suitable for the product screws.

(2)x2

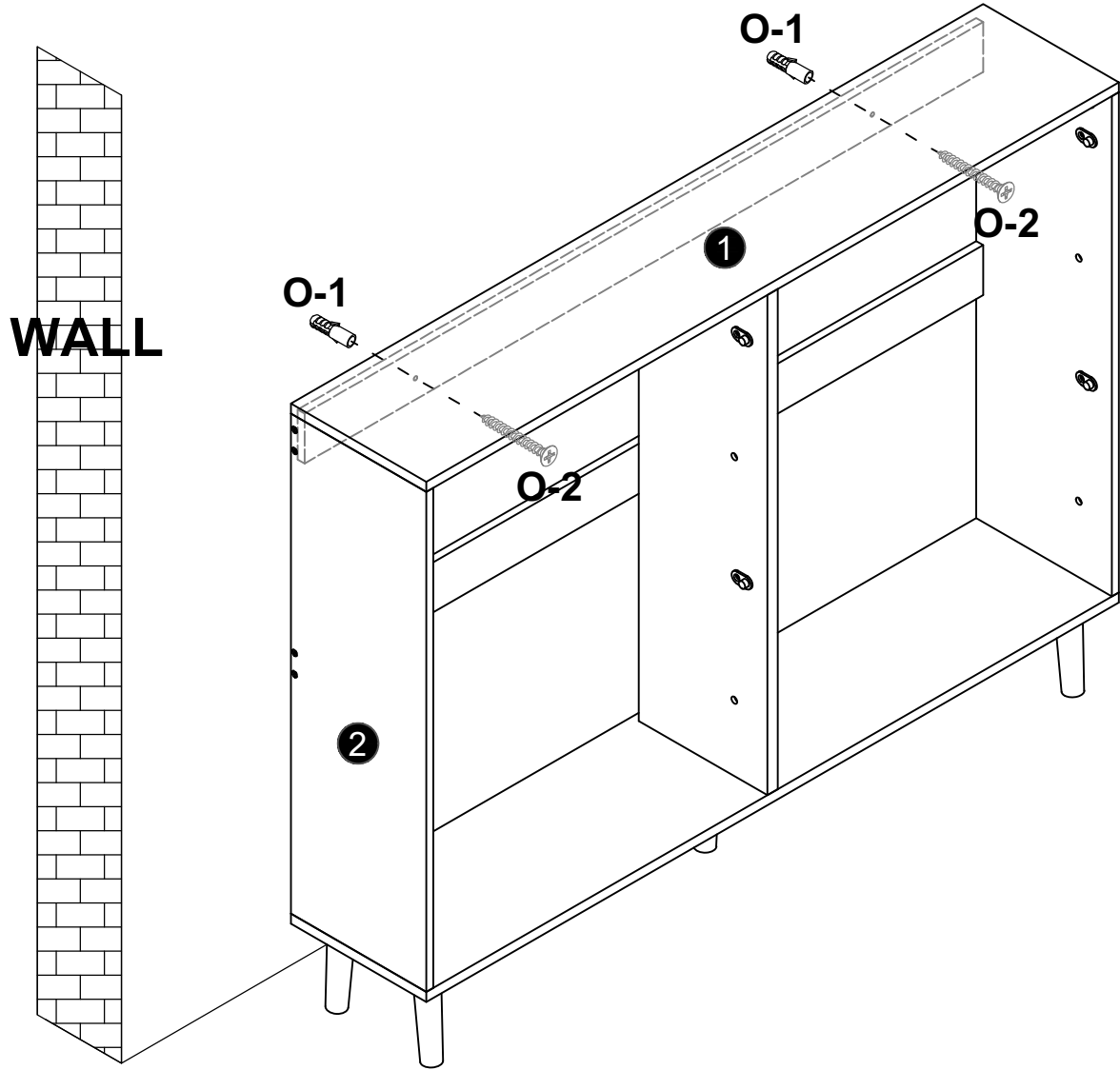


Then, put the expansion bolt into the hole

(3)x2



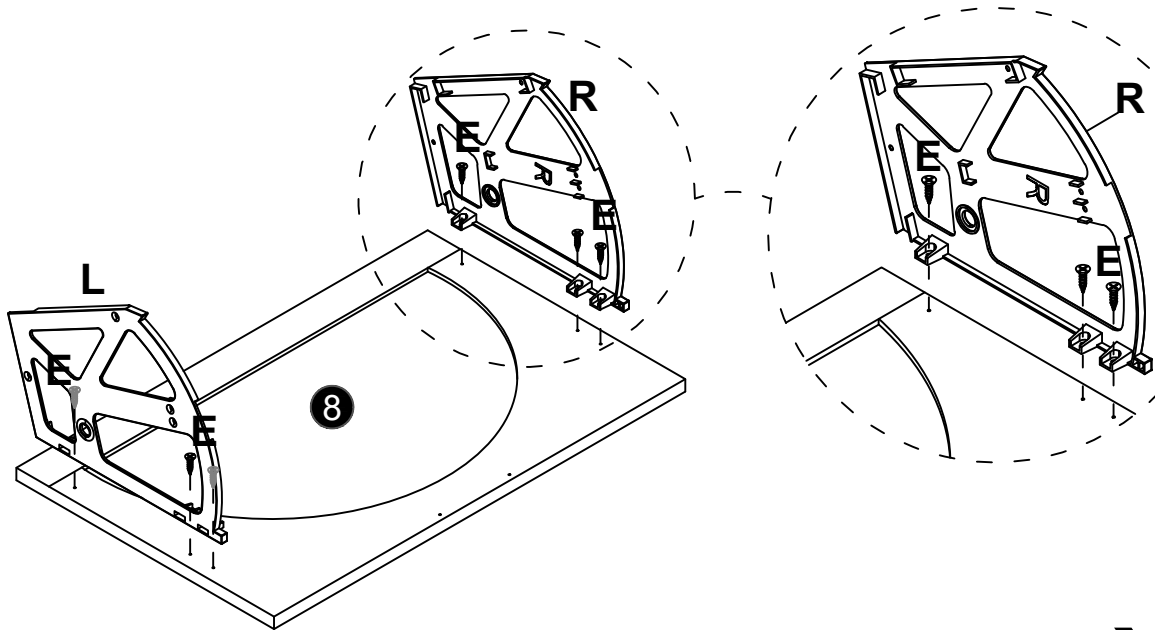
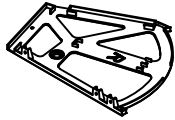
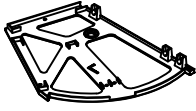
Finally, pass the matching screws through the "anti-rewind" and tighten them to fix them on the wall.



E x12

L x2

R x2

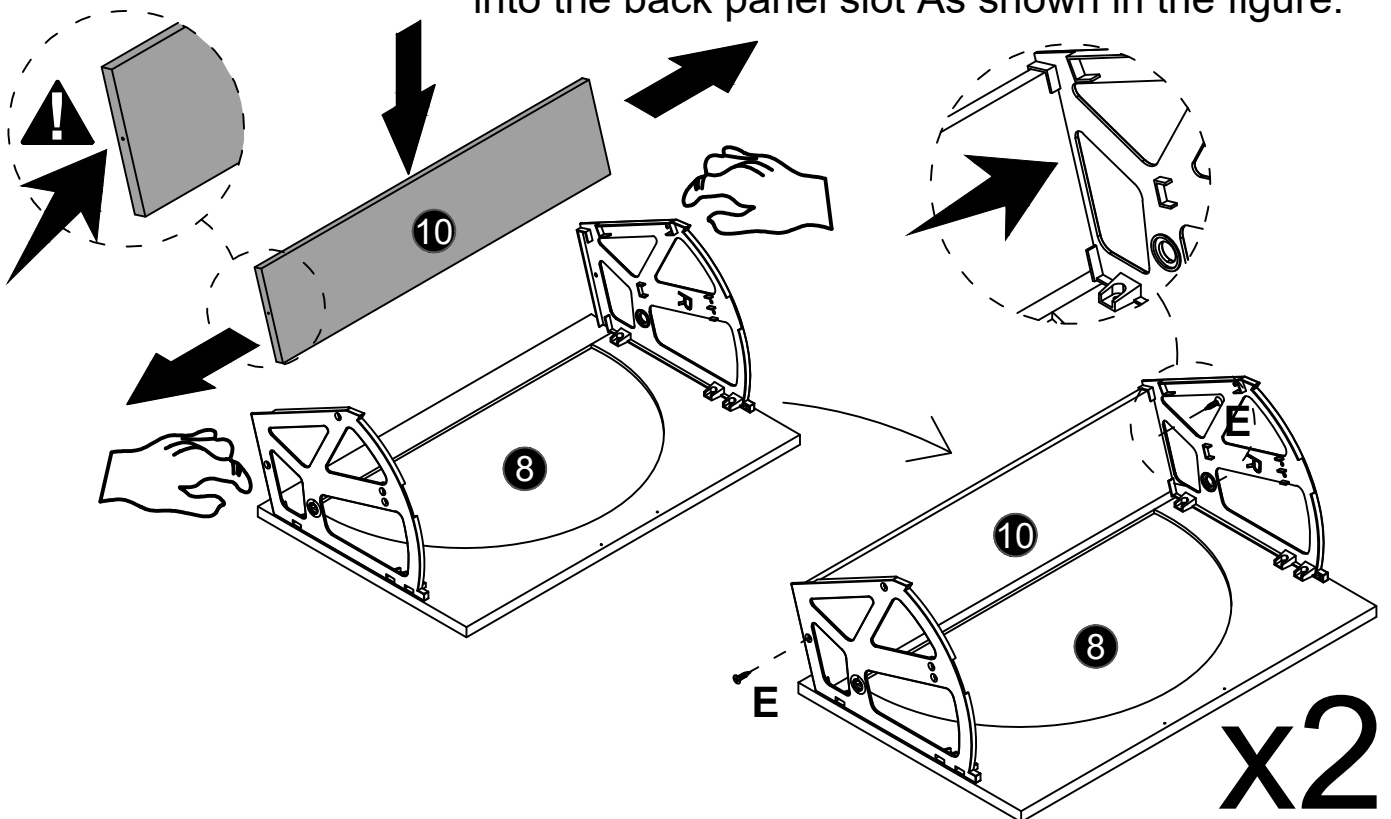


x2

E x4



Please push the shoe racks L and R slightly with your hands .As shown in the figure, facing towards both sides,Place the 10th back panel into the back panel slot As shown in the figure.

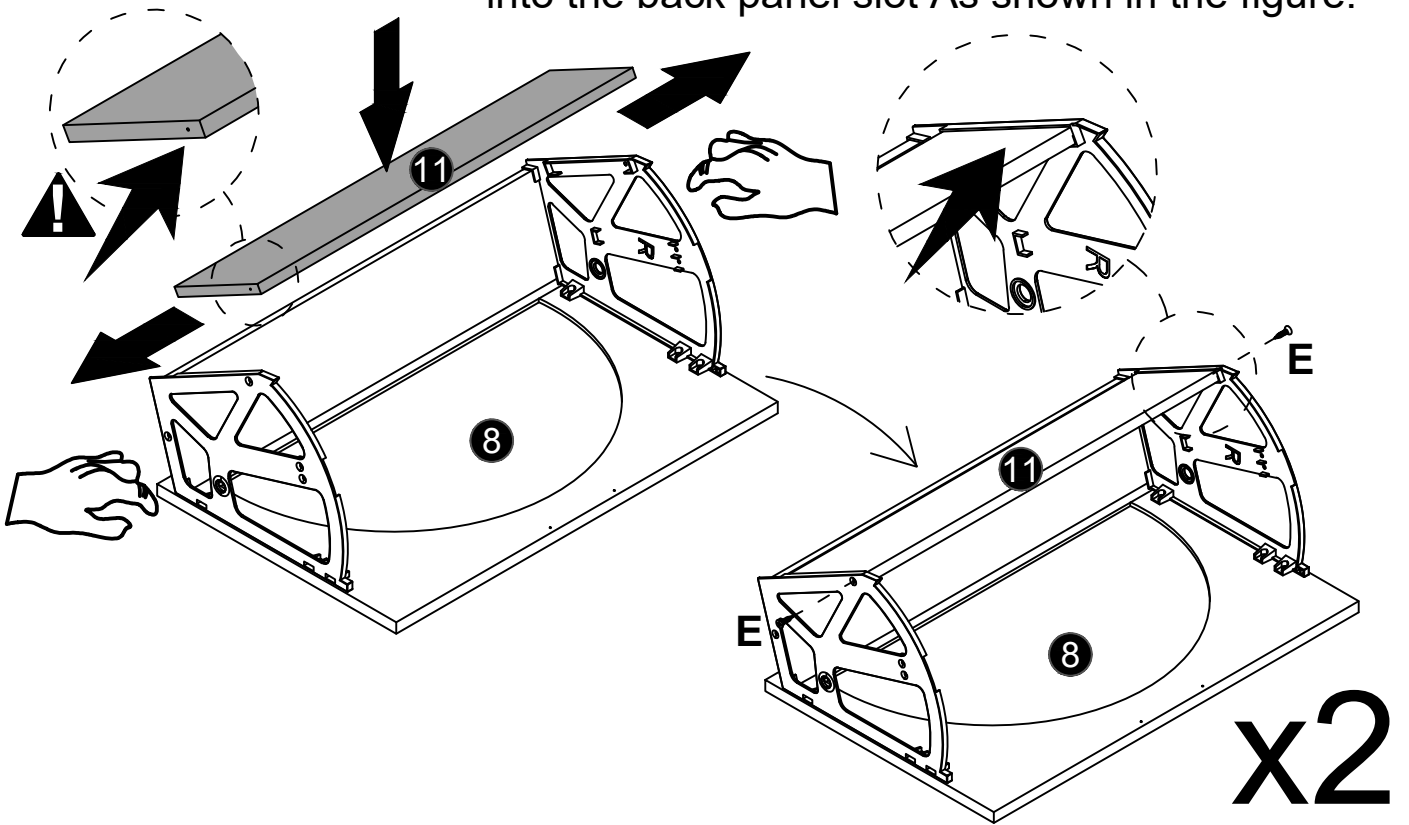


x2

E x4

13

Please push the shoe racks L and R slightly with your hands .As shown in the figure, facing towards both sides,Place the 11th back panel into the back panel slot As shown in the figure.

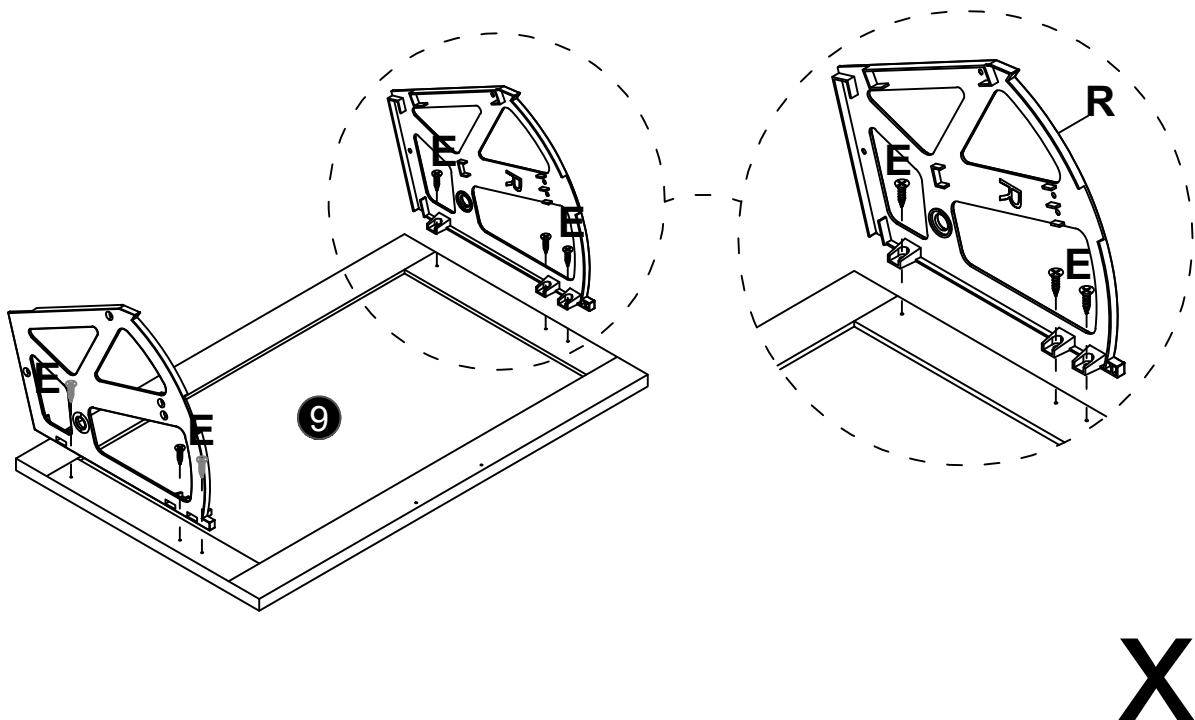
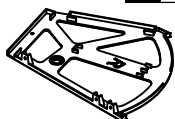
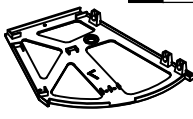


E x12

L x2

R x2

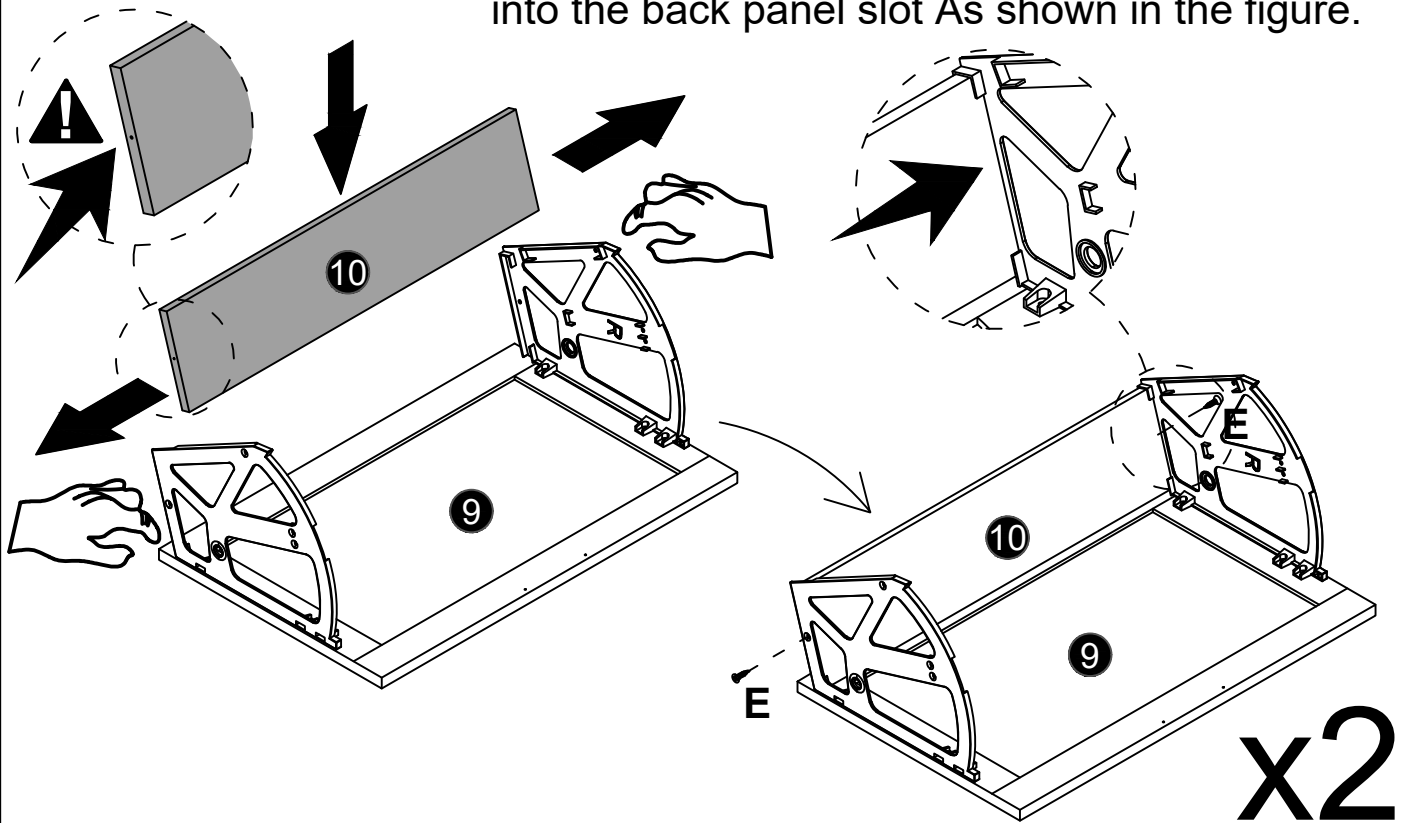
14



E x4

15

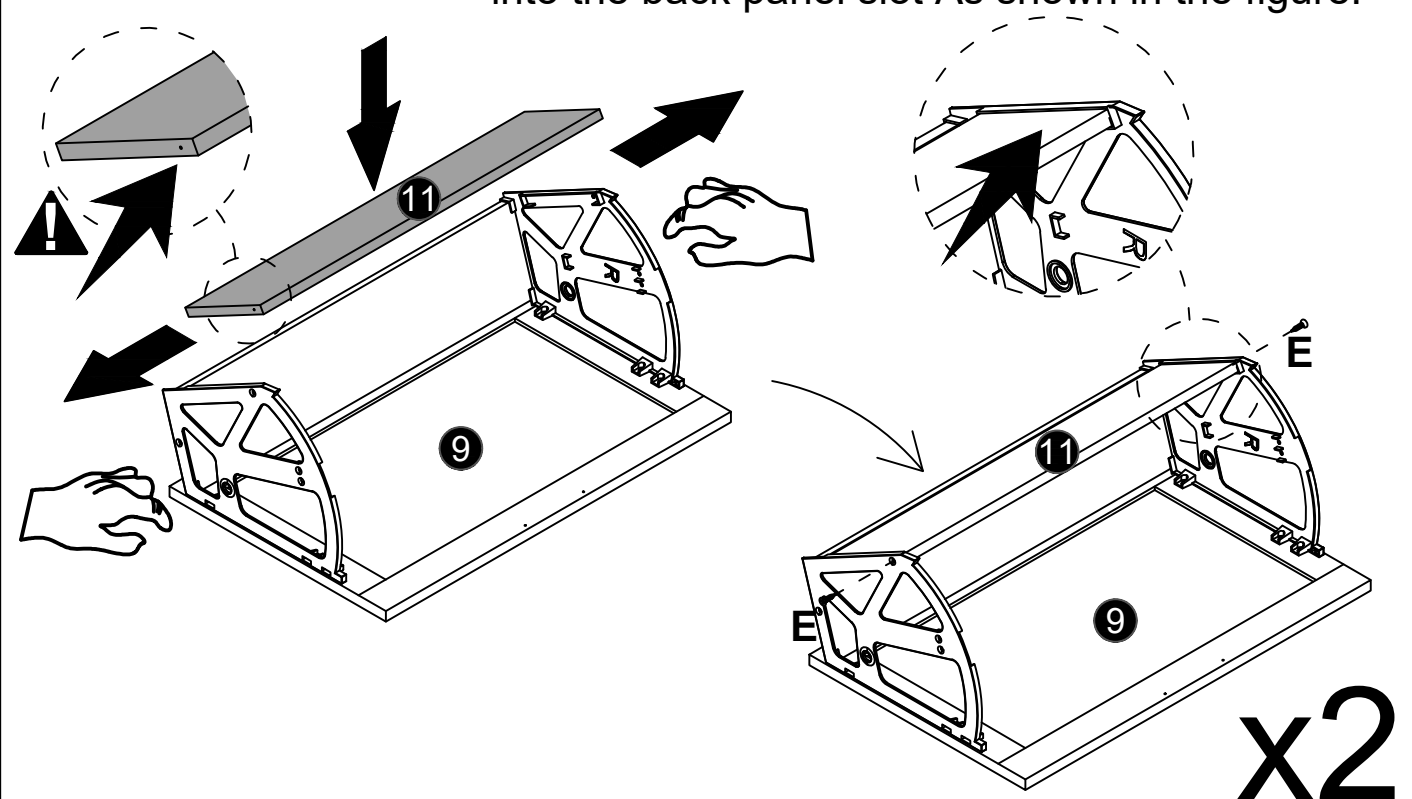
Please push the shoe racks L and R slightly with your hands .As shown in the figure, facing towards both sides,Place the 10th back panel into the back panel slot As shown in the figure.

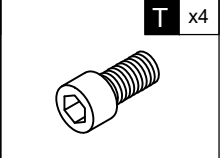
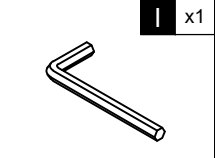
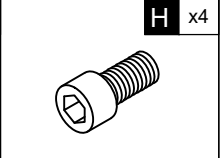
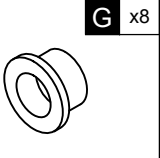


E x4

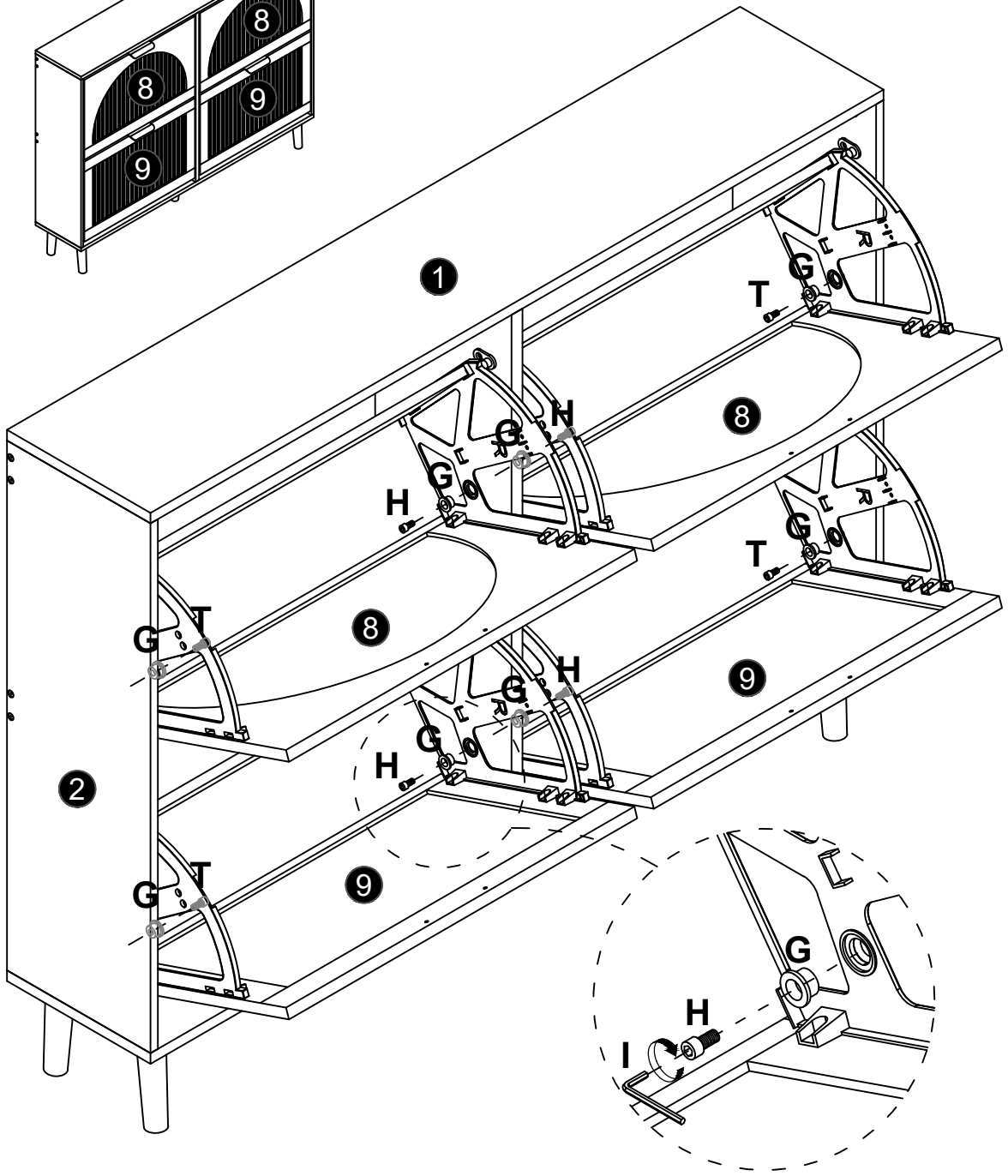
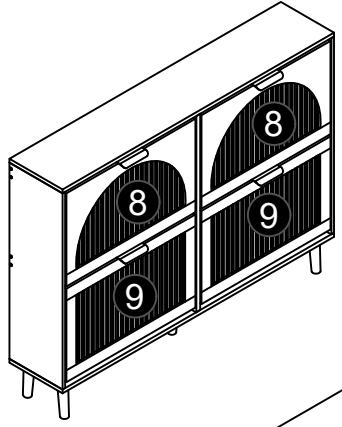
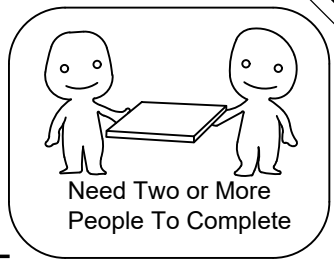
16

Please push the shoe racks L and R slightly with your hands .As shown in the figure, facing towards both sides,Place the 11th back panel into the back panel slot As shown in the figure.





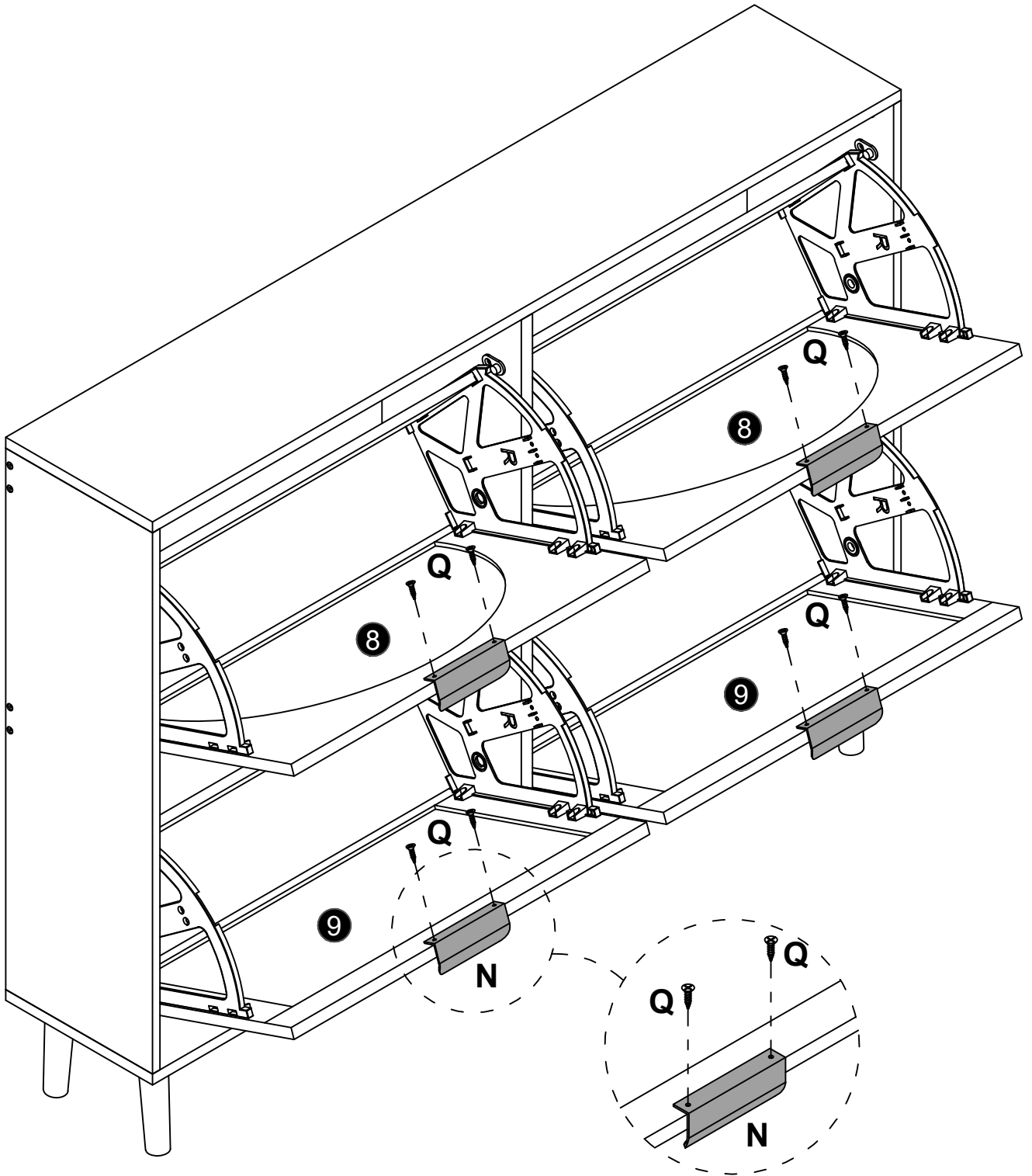
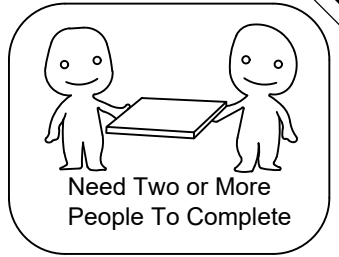
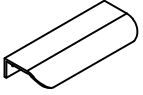
1. Before installation, please check if the position is correct to avoid installation errors.
2. Please pay attention to distinguishing the corresponding installation positions of H and T.

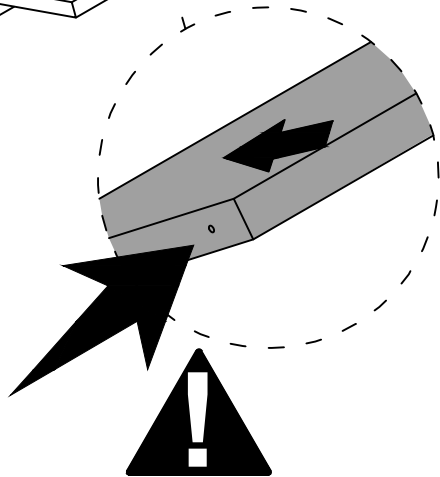
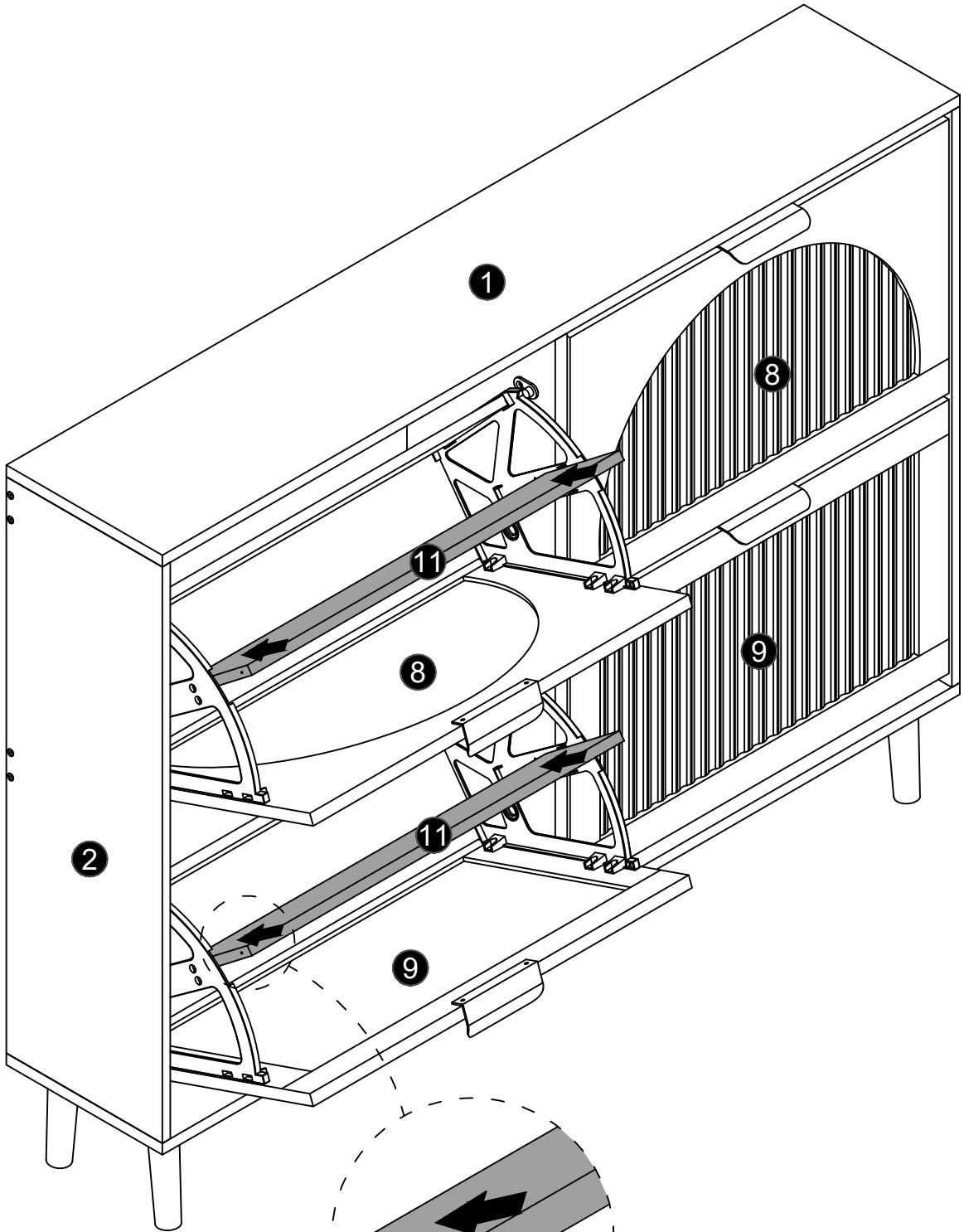


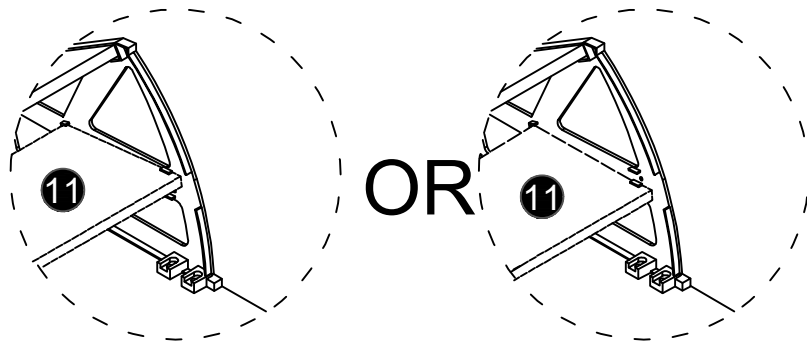
Note: When installing H or T, it is sufficient to reach 90% progress. Installing 100% may cause damage to G.

N x4

Q x8



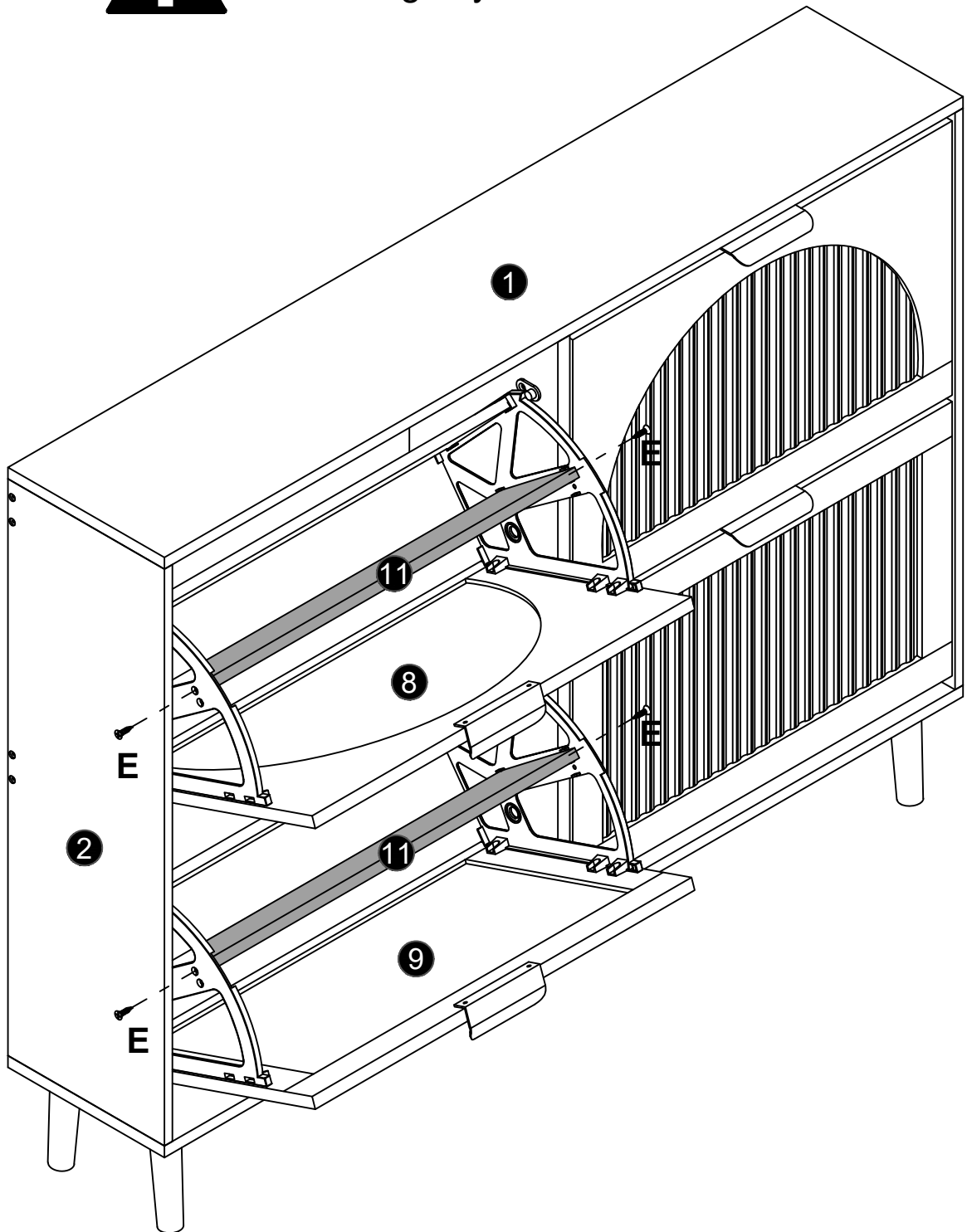


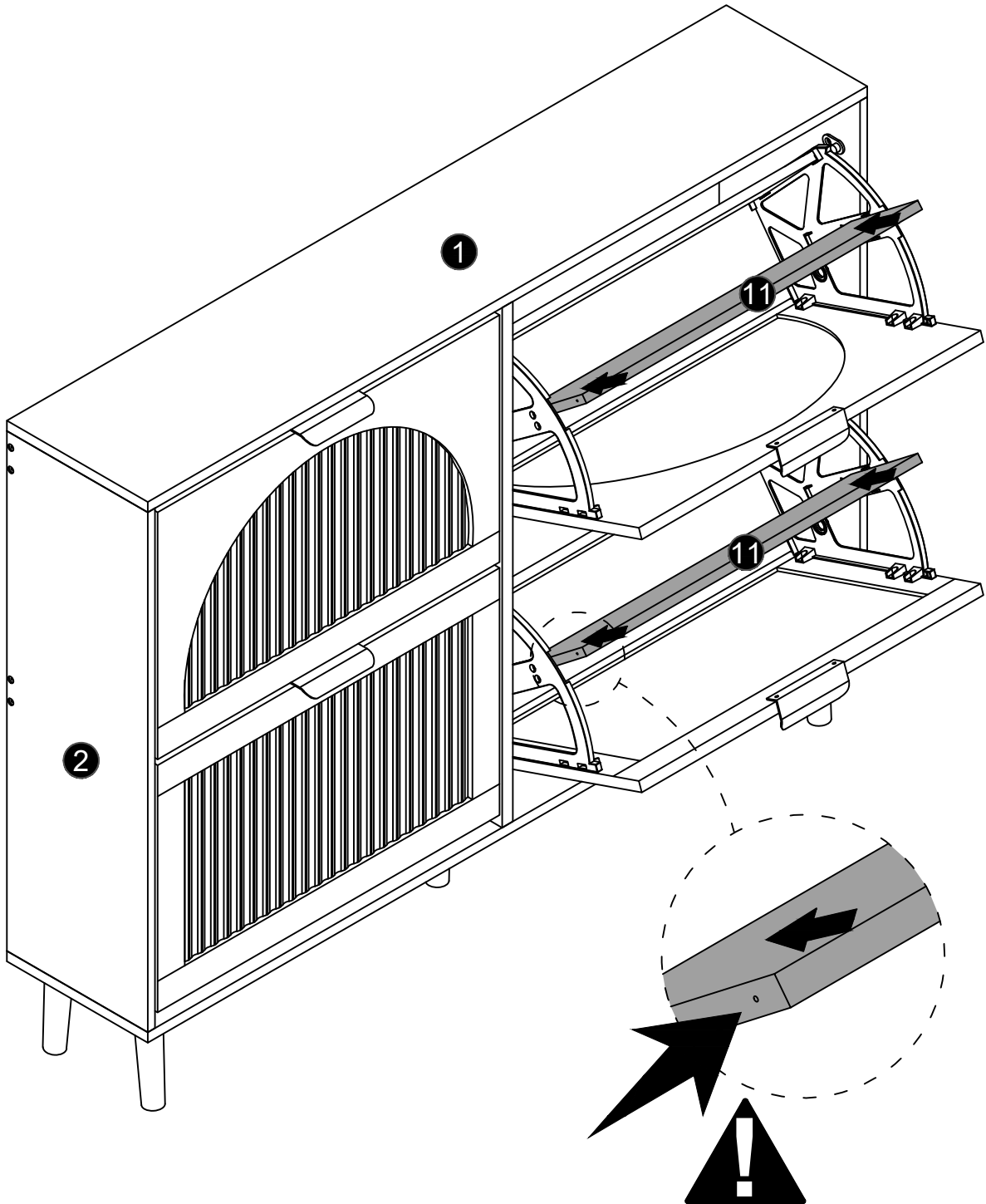


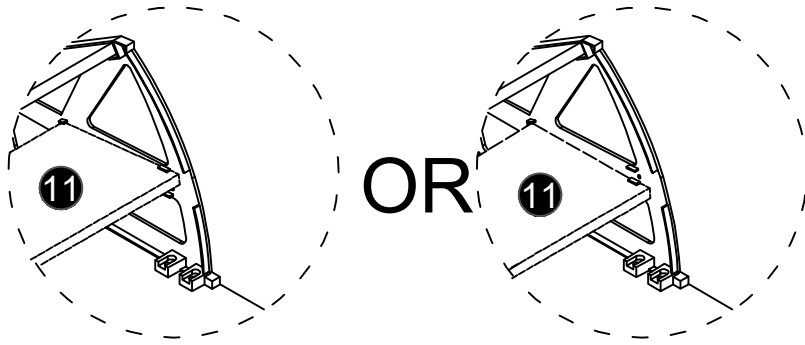
OR



Adjustments can be made according to your own needs.



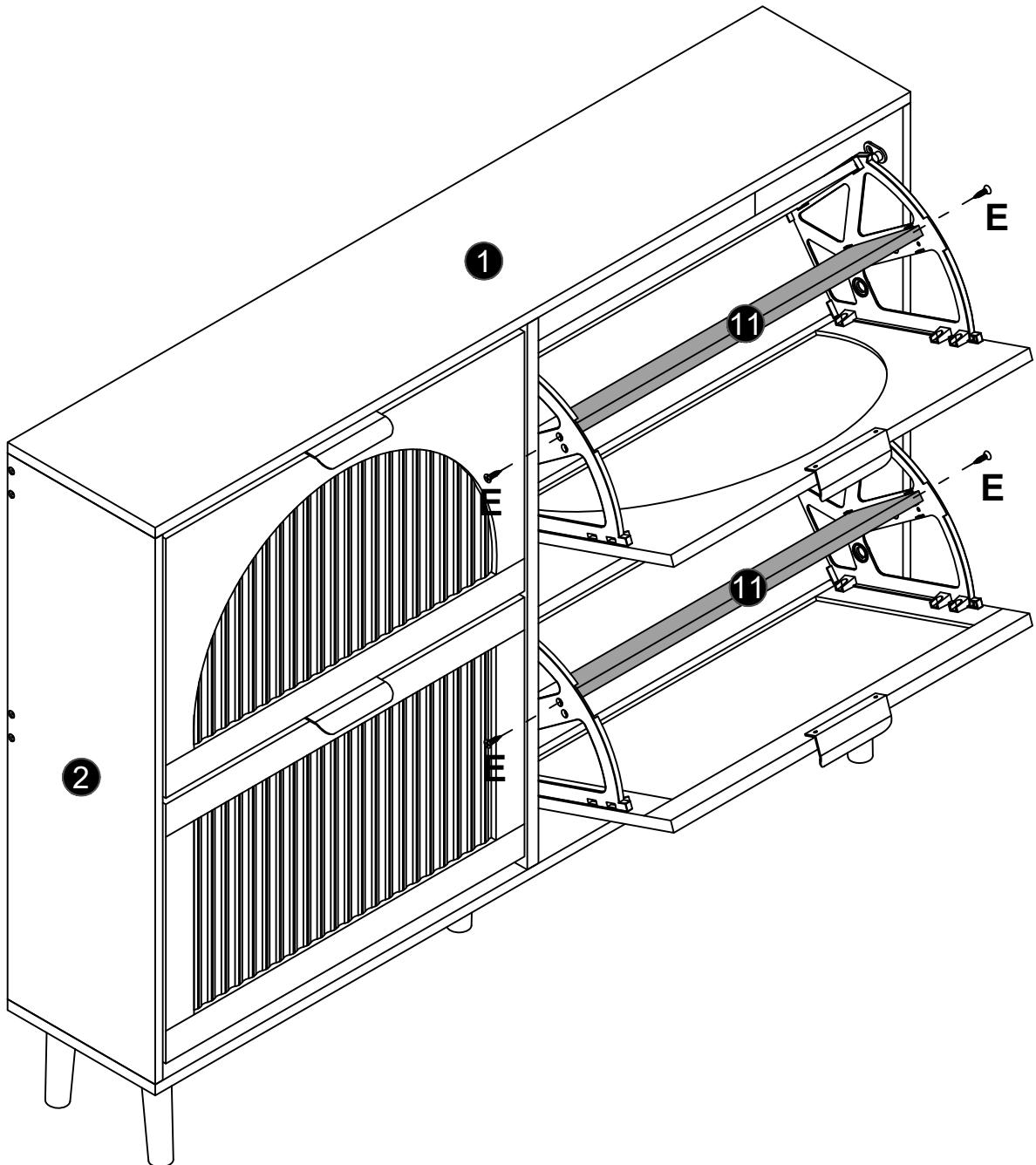


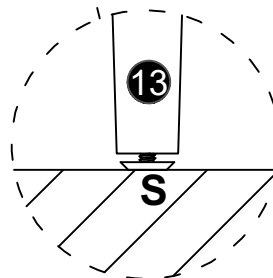
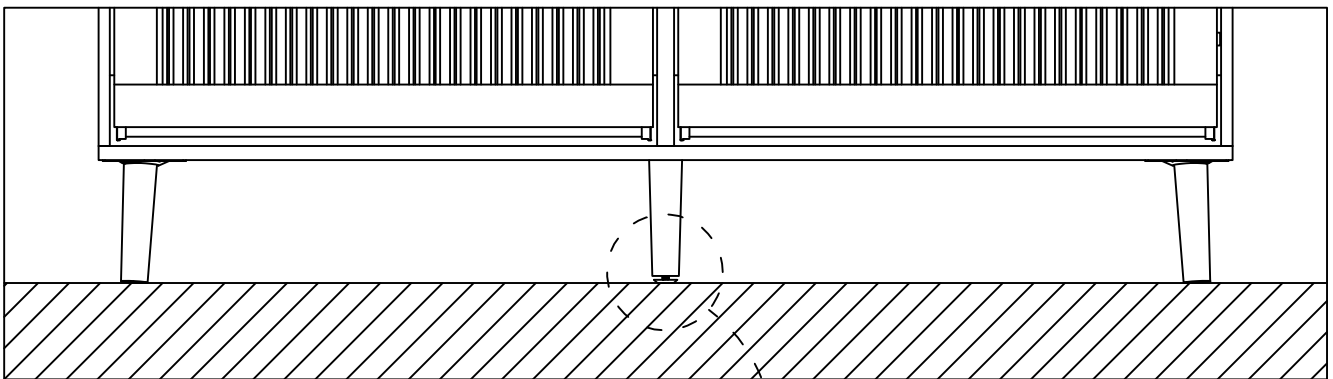
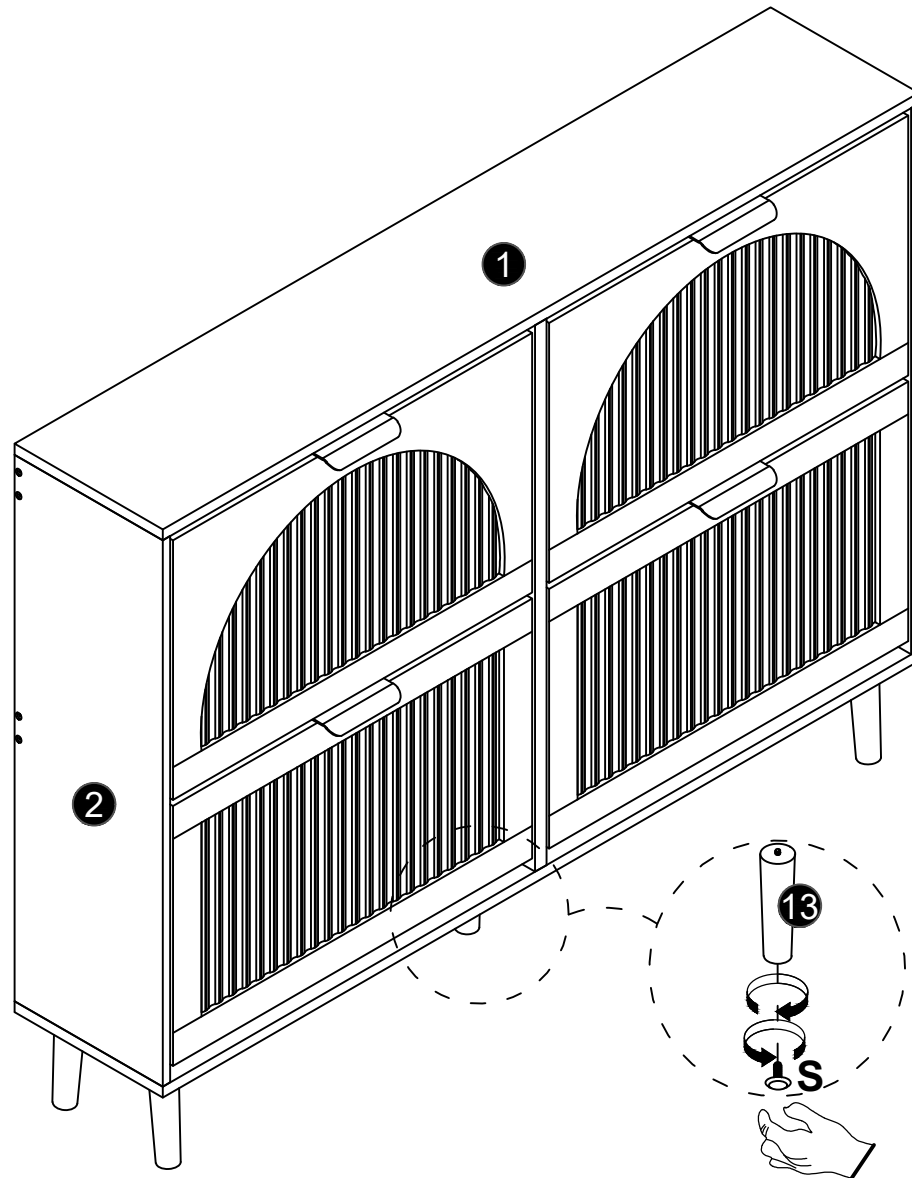


OR



Adjustments can be made according to your own needs.





If the cabinet is unstable on the ground, please rotate the No. S adjustment foot pad on the No. 13 support leg.

P x8



Done

