

Installation Guide

Please go to our website for product cleaning tips. Go to the **Care + Maintenance** selection.

Tools Required: Flathead screwdriver, Phillips screwdriver, pliers, wire cutters, wire strippers, electrical tape, safety glasses.

Light Source: (2) B10 Candelabra Base bulbs 60W Maximum, bulb not included.

Estimated Assembly Time: 30-45 minutes

Preparation: Identify and inspect all parts before beginning installation. Check package content list and diagrams below to ensure all parts are present. If any parts are missing or damaged, do not attempt to assemble, install, or operate the fixture. Missing Parts? Contact your original place of purchase.

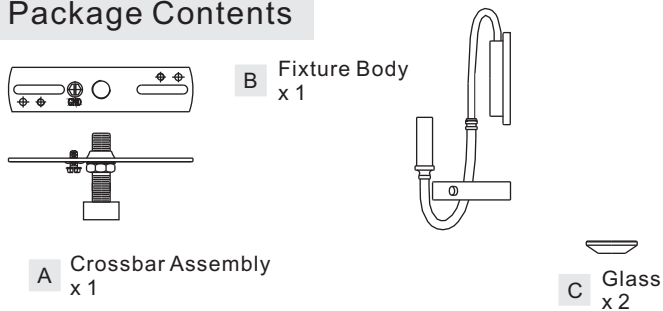
⚠ Warnings and Cautions

Turn off electricity at circuit breaker or main fuse box before installation. Consult a licensed electrician if in doubt.

These instructions are provided for your safety. It is very important you read them completely before installing the fixture. We strongly recommend that a licensed, professional electrician perform the installation.

Disconnect fixture from power source before replacing bulbs. Make sure bulbs are given sufficient time to cool before removal.

Package Contents



STEP 1 - Install the Crossbar Assembly to Outlet Box and Adjust the length of the Nipple

- Attach the Crossbar Assembly (A) to the Outlet Box with the head of the Green Ground Screw facing you. Secure it with Outlet Box Screws (not included), tighten until snug.
- Adjust the hex nut and lock washer underside of the crossbar to the middle of the nipple.
- Remove the Lock Ball from the Nipple. Place the Backplate of the Fixture Body (B) over the Nipple against the wall to determine the correct position of the nipple. Thread the Finial onto the Nipple. Adjust the nipple to allow the Backplate the Fixture Body (B) to rest against the wall when held in place by the Lock Ball.
- Remove the Lock Ball and the Fixture Body (B). Tighten the lock washer and the hex nut against the crossbar to secure in place.

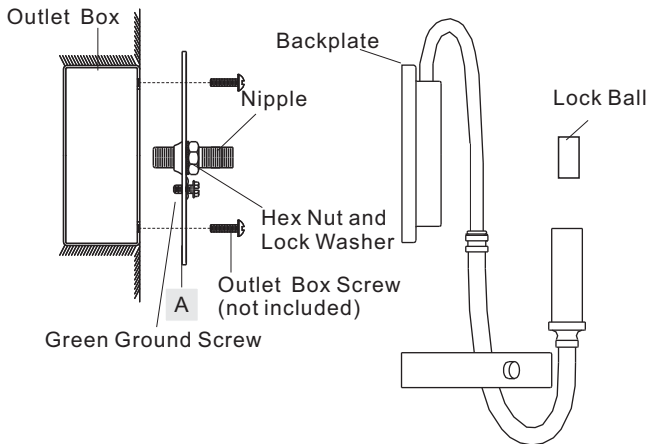
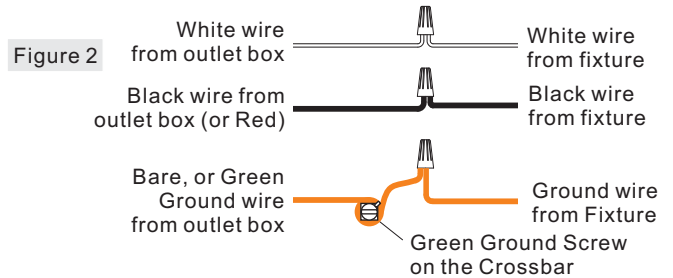


Figure 1

STEP 2 - Wire Connections

- Wrap bare or green ground wire around green ground screw on the crossbar, no less than 2 inches from the end of the wire. Tighten the green ground screw.
- Use standard wire connectors (not included) to make all wire connections. Twist connectors until wires are tightly joined together. Wrap each connection with approved electrical tape and carefully stuff all the connected wires into the Outlet Box.



STEP 3 - Install Fixture Body

- Carefully tuck all wires into the outlet box and position the backplate of the Fixture Body (B) over the outlet box. Attach the backplate of the Fixture Body (B) over the Nipple (BB) and secure with the Lock ball. Hand tighten until snug.

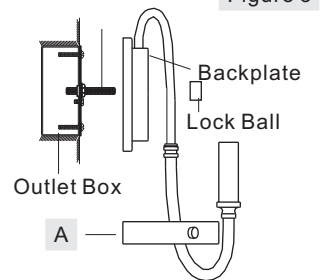


Figure 3

STEP 4 - Install the Glass and the Bulb

- Place the Glass (C) over the candle cover.
- Insert the bulb onto the socket and screw snugly into place.

Your fixture is now assembled and ready to use. Enjoy!

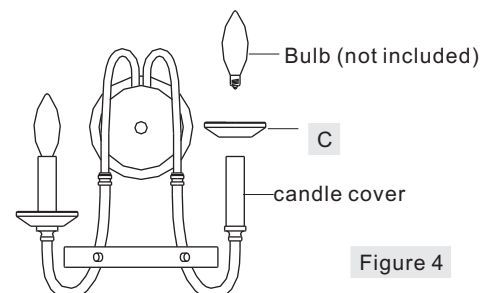
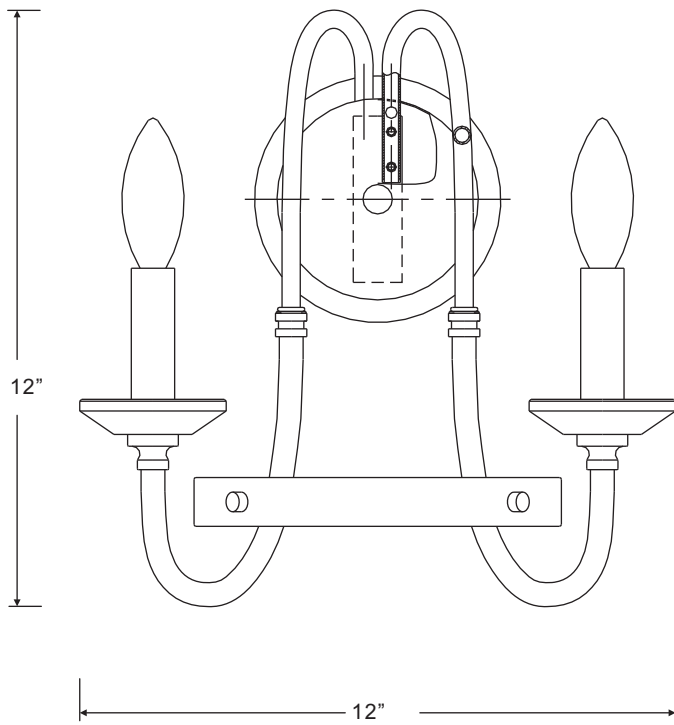
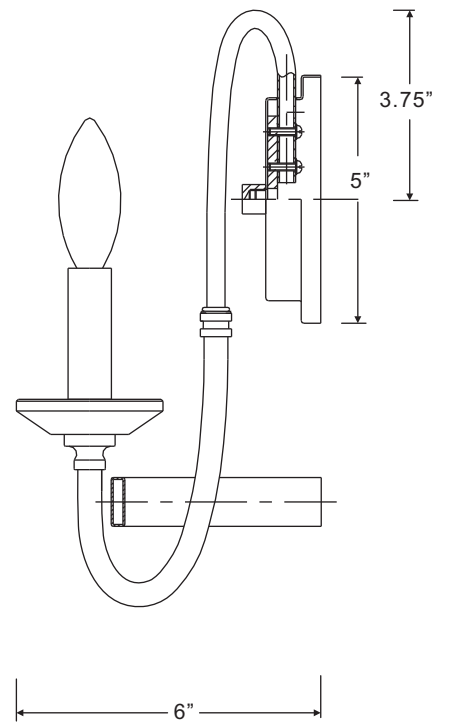


Figure 4

FINISH: WESTERN BRONZE



↑
Fixture can
only be
mounted in
the direction
indicated



NOTE: ALL DIMENSIONS ARE ROUNDED UP
TO THE NEAREST 1/4"