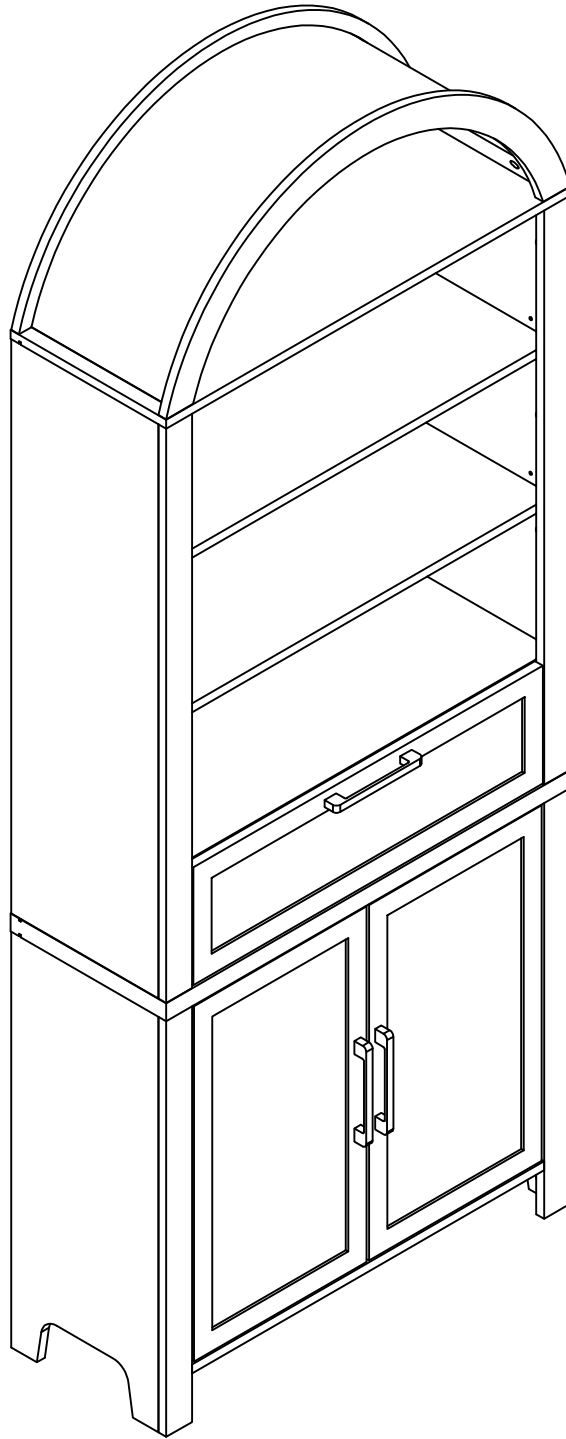


Installation Instruction



Assembling

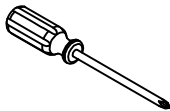
Estimated time for assembly



45 : 00

What you need

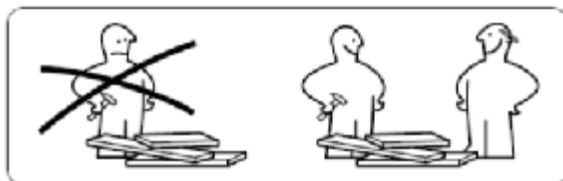
- Use the packaging carton as a working surface to prevent product damage during assembly
- Phillips head screwdriver



Weight Limitation



100 | **35**
lbs table top | lbs per

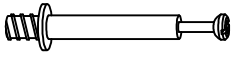


What' included

| Code | Description | Qty |
|------|-----------------------------|-----|
| A | Cam Bolt M6X35MM | 63 |
| B | Cam Lock 15X9MM | 63 |
| C | Wooden Dowel M8X30MM | 30 |
| D | Screw M4X40MM | 7 |
| E | Screw M3.5X14MM | 2 |
| F | Metal shake handhandle | 3 |
| G | Nylon Strap | 2 |
| H | Screw M3.0X14MM | 54 |
| I | Cam Bolt M4X18MM | 6 |
| J | The back button | 30 |
| K | Anchor | 2 |
| L | The bolt | 4 |
| M | Ron absorption | 4 |
| N | Metal handle | 4 |
| O | Shelf Holder | 12 |
| P | Screw M4X25MM | 7 |
| Q | Foot nail | 4 |
| R | Hole position sticker | 63 |
| S | The screw M6X40MM | 4 |
| T | Wrench M4X55MM | 1 |
| CL | Left mother extended orbit | 1 |
| CR | Right mother extended orbit | 1 |
| DL | Left public extension track | 1 |
| DR | Right public extends track | 1 |

The Hardwares

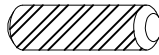
A



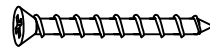
B



C



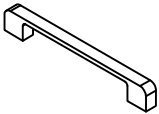
D



E



F



G



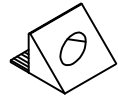
H



I



J



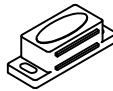
K



L



M



N



O



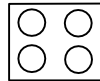
P



Q



R



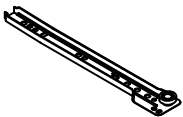
S



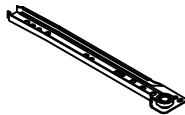
T



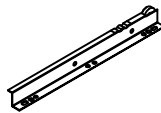
CL



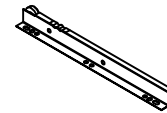
CR



DL



DR



IMPORTANT:

1. Do not tighten bolts / screws completely until all bolts / screws are lined up and inserted into holes.
2. Do not over tighten screws and bolts to avoid stripping
3. Please use hand tools to assemble this product. Do not use power tools.

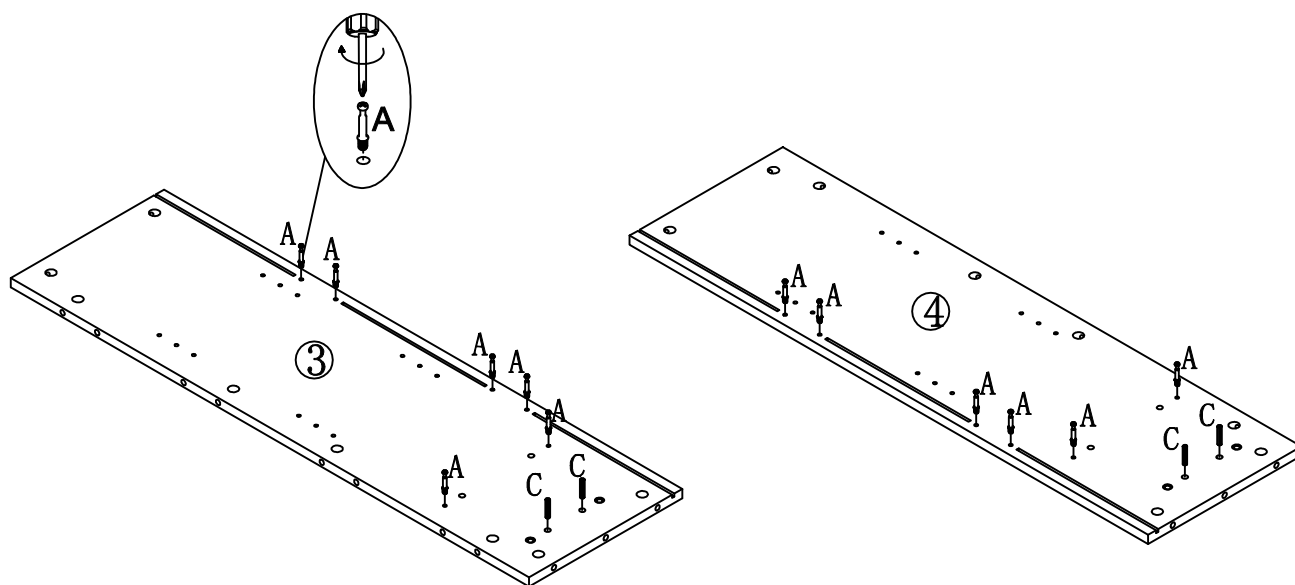
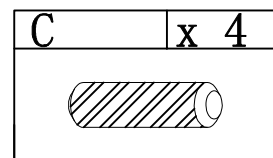
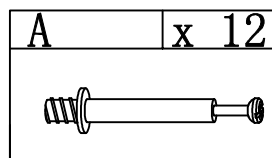
Included Accessories

| Code | Description | Qty |
|------|---------------------------|-----|
| 1 | Cabinet Top | 1 |
| 2 | Bottom Panel | 1 |
| 3 | Superior left side plate | 1 |
| 4 | Superior right side plate | 1 |
| 5 | Inferior left side plate | 1 |
| 6 | Inferior right side plate | 1 |
| 7 | Movable laminated plate | 3 |
| 8 | Intermediate laminate | 1 |
| 9 | Lower back brace | 1 |
| 10 | Metal Door | 2 |
| 11 | Top baffle | 2 |
| 12 | Lower baffle | 2 |
| 13 | Front apron | 1 |
| 14 | Epigonotum | 1 |
| 15 | Reinforcing plate | 5 |
| 16 | Top plate | 1 |
| 17 | Upper back brace | 2 |
| 18 | Hypotergite | 5 |

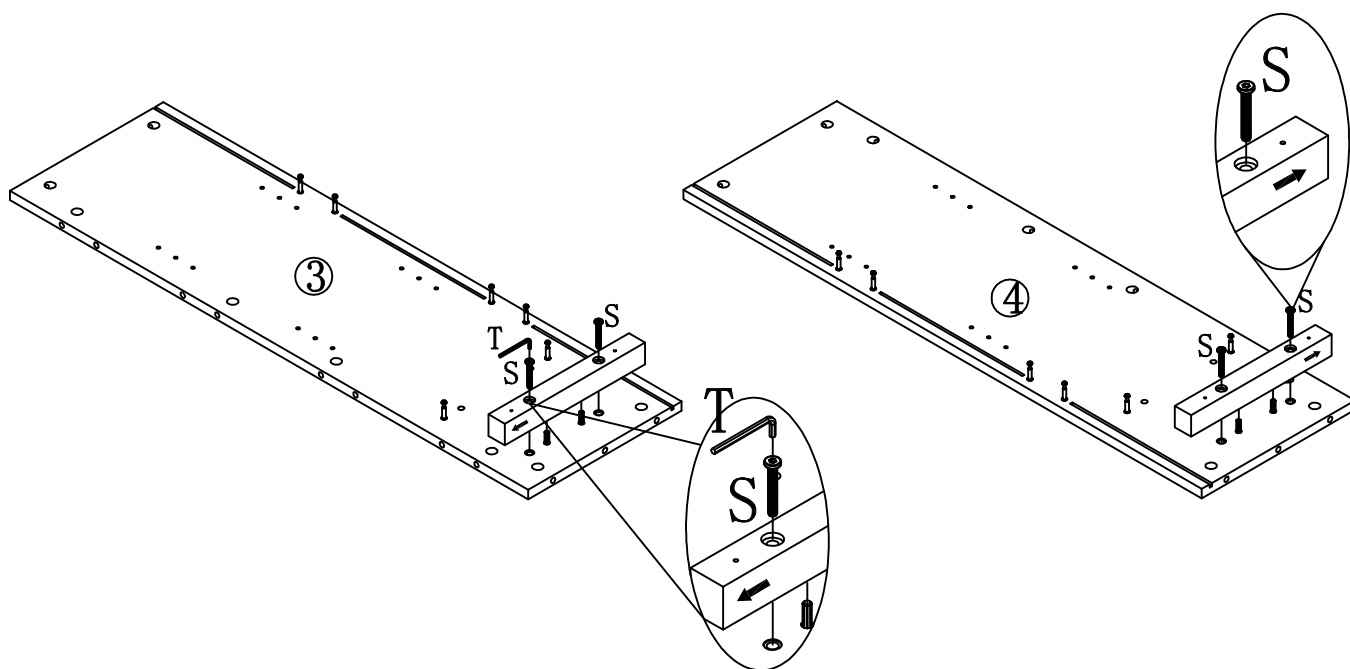
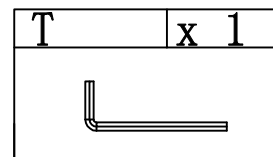
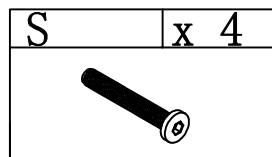
Included Accessories

| Code | Description | Qty |
|------|-------------------------|-----|
| 19 | Fixed laminate | 1 |
| 20 | Rail slide | 2 |
| 21 | Drawer panel | 1 |
| 22 | Drawer left panel | 1 |
| 23 | Drawer right side panel | 1 |
| 24 | The drawer bottom | 1 |
| 25 | After the drawer board | 1 |
| 26 | Reinforcing strip | 1 |


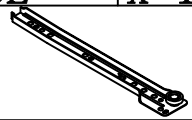
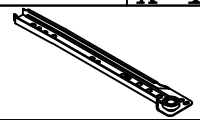
Step 1

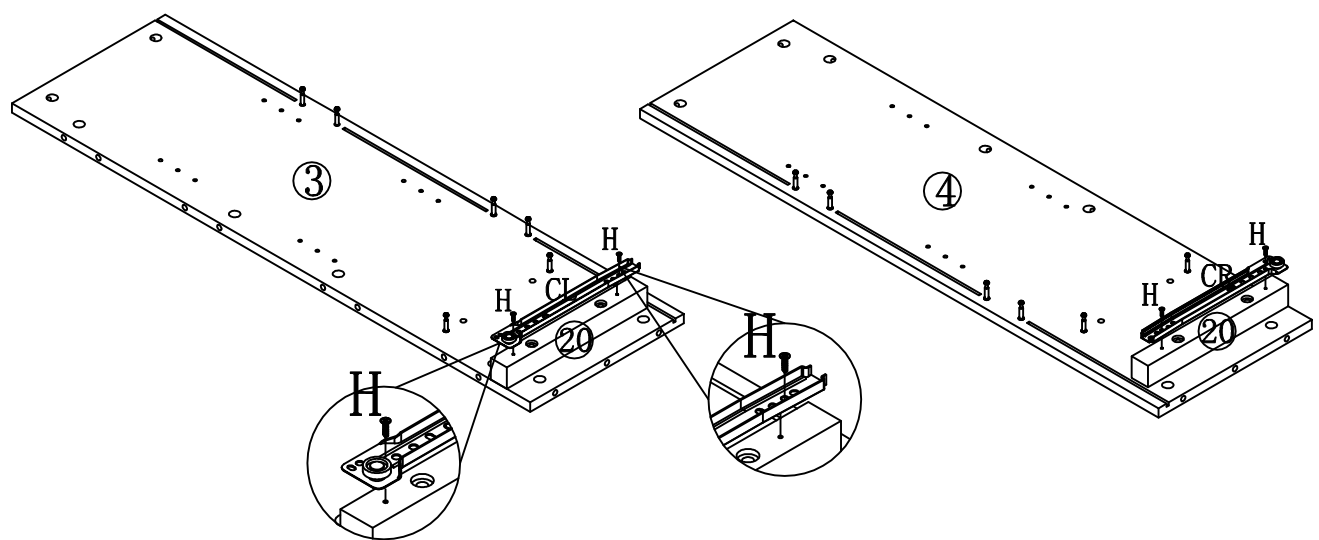
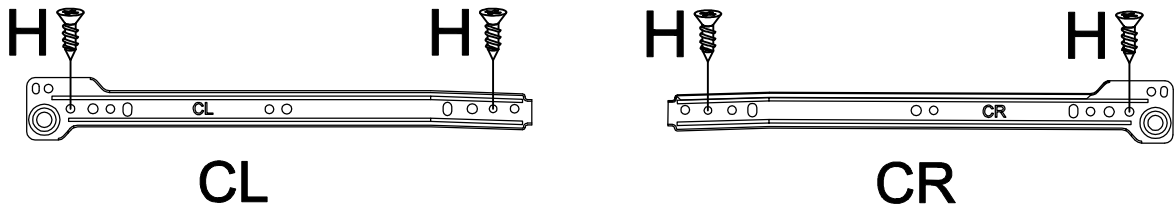


Step 2


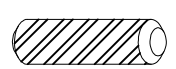


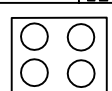
Step 3

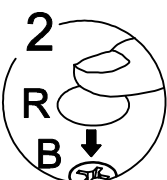
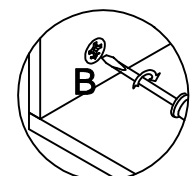
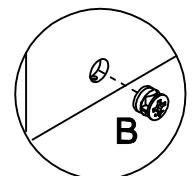
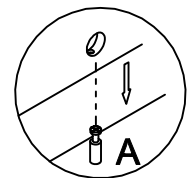
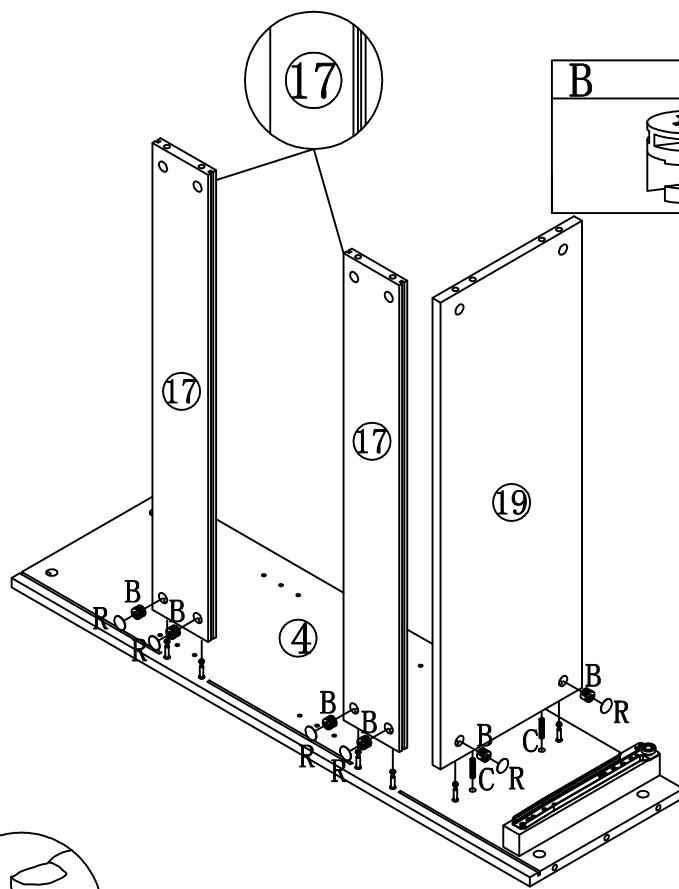
| | | | | | |
|---|-----|--|-----|---|-----|
| H | x 4 | CL | x 1 | CR | x 1 |
|  | |  | |  | |



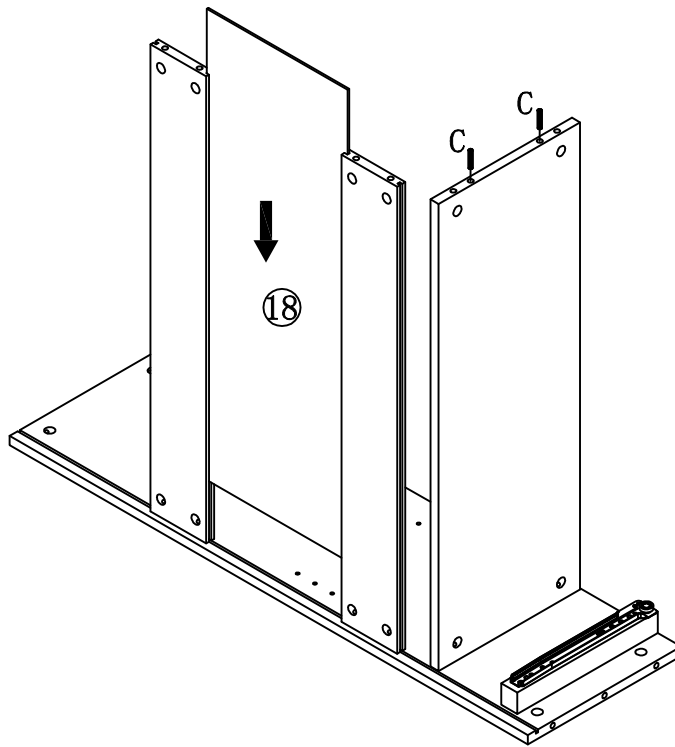
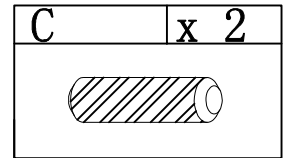
Step 4

| | | | |
|---|-----|---|-----|
| B | x 6 | C | x 2 |
|  | |  | |

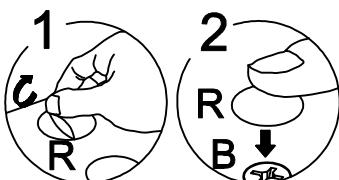
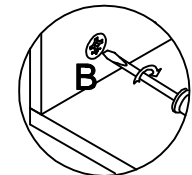
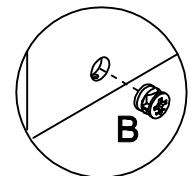
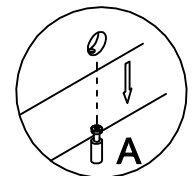
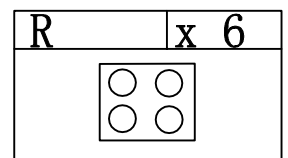
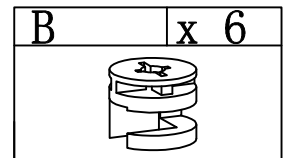
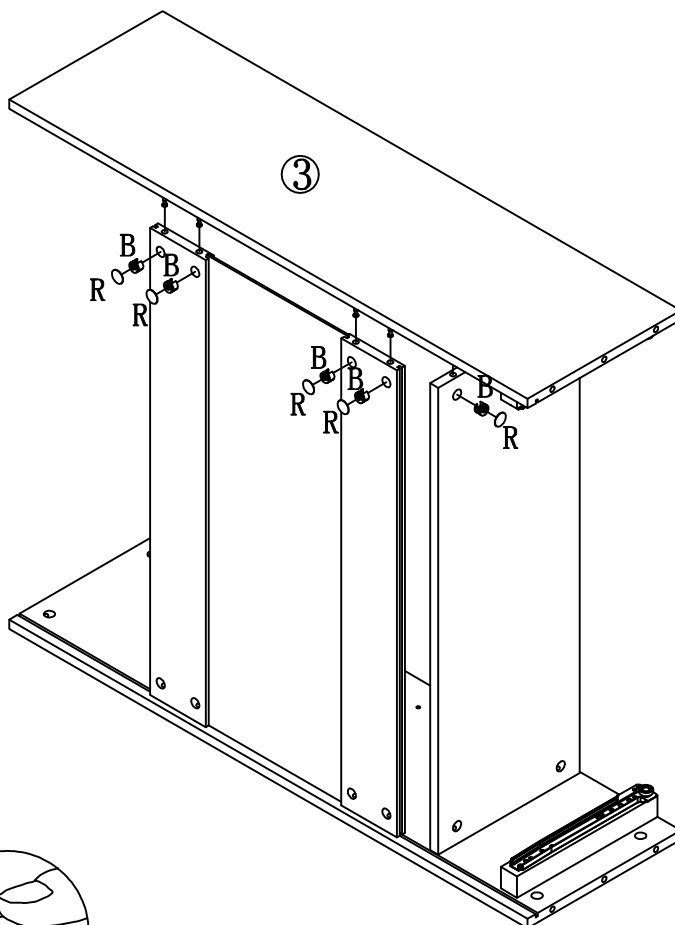
| | |
|---|-----|
| R | x 6 |
|  | |



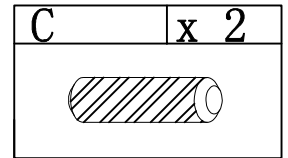
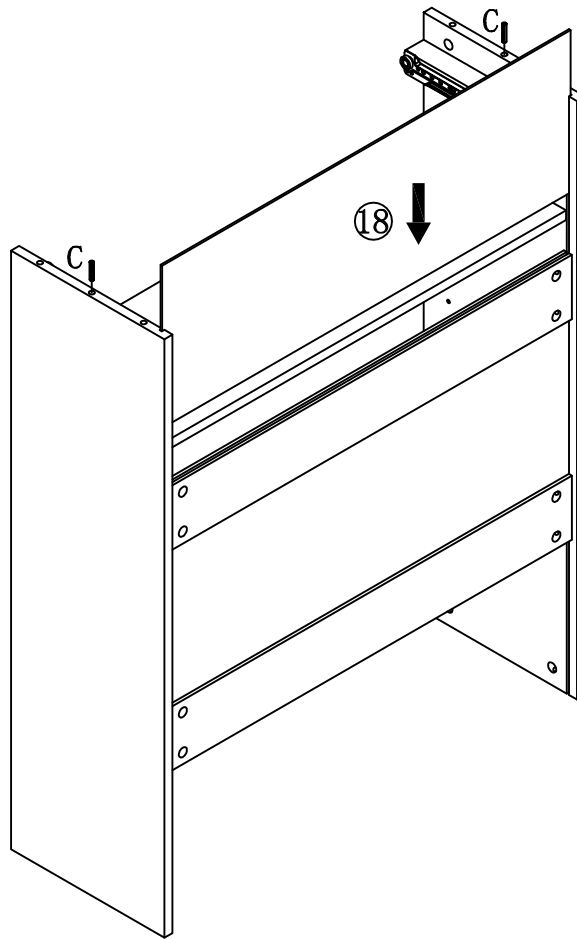
Step 5



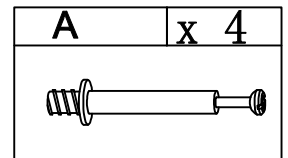
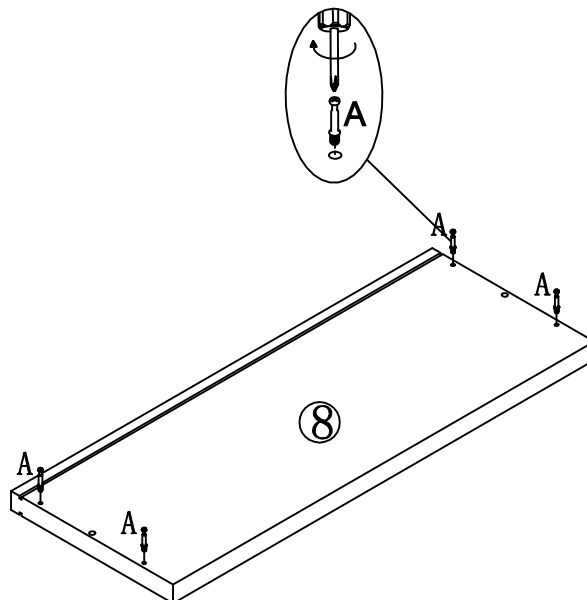
Step 6



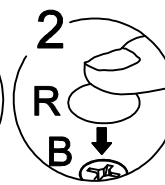
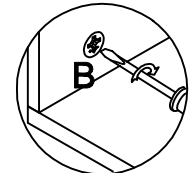
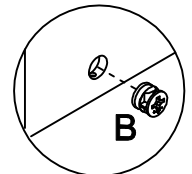
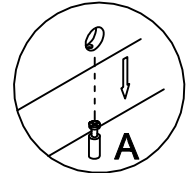
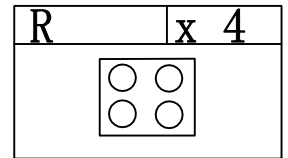
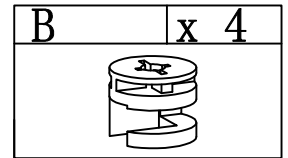
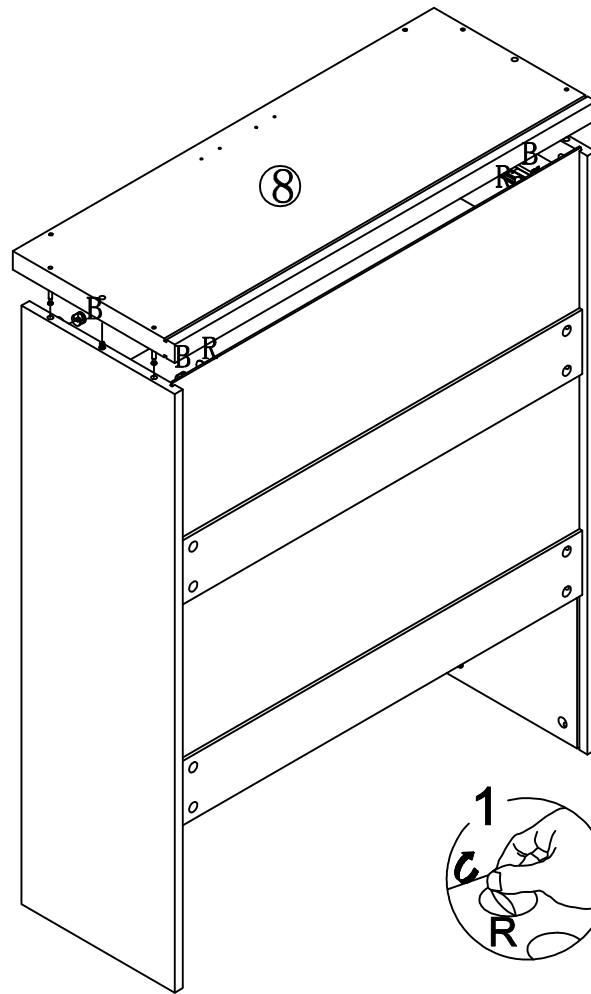
Step 7



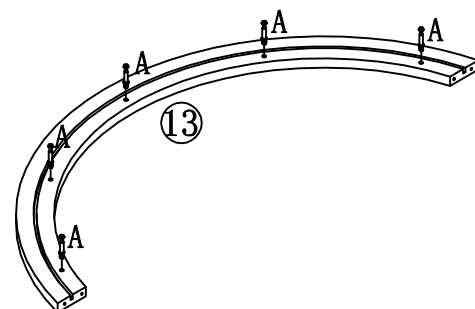
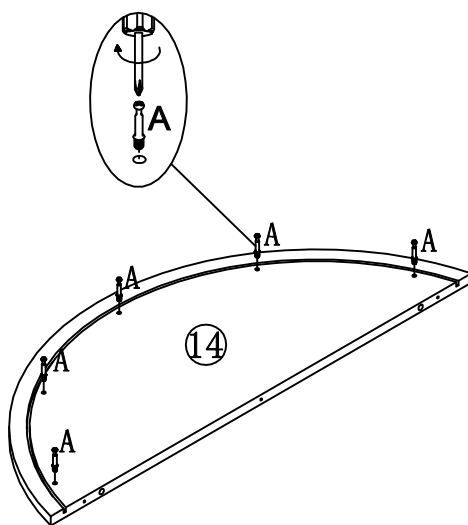
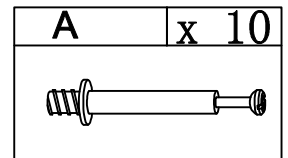
Step 8



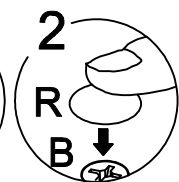
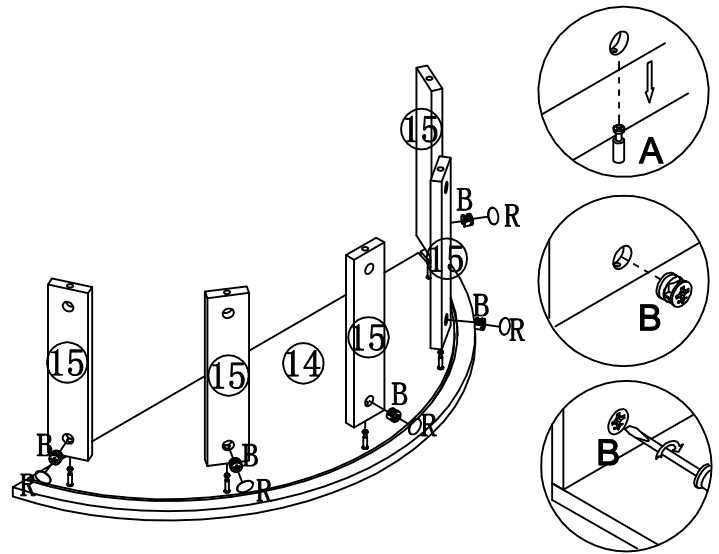
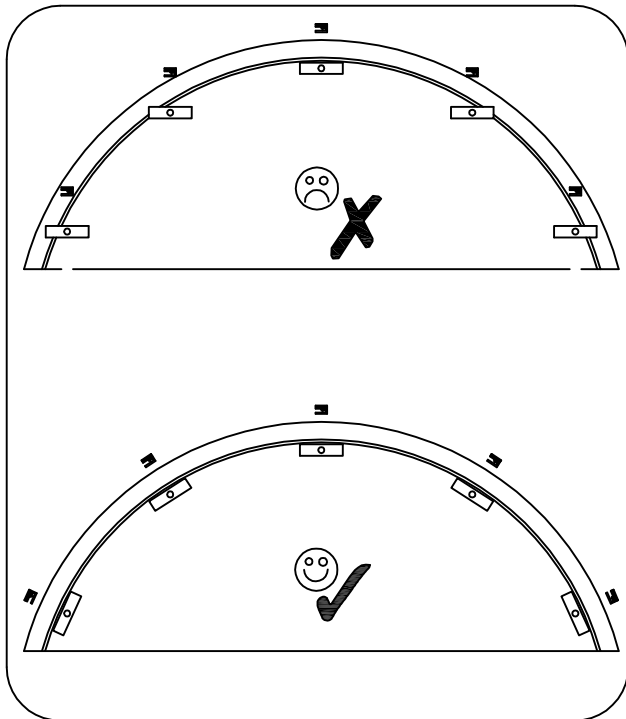
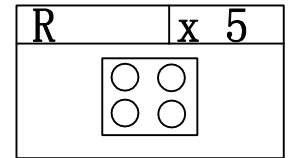
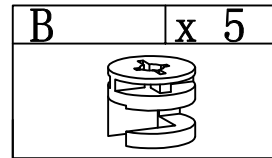
Step 9



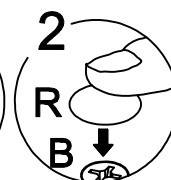
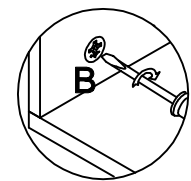
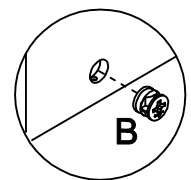
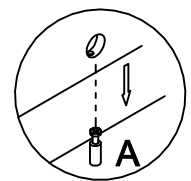
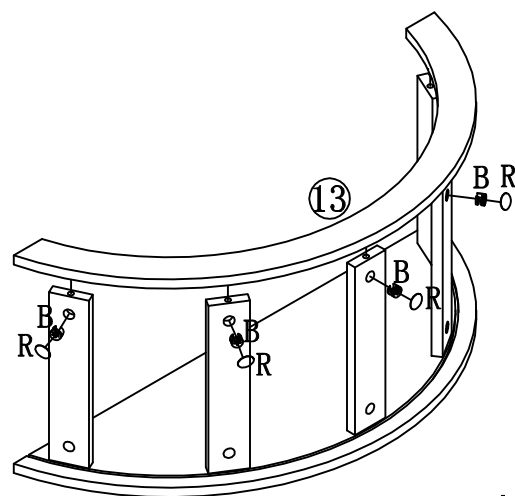
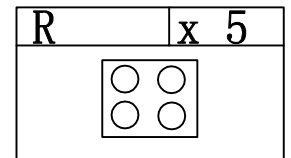
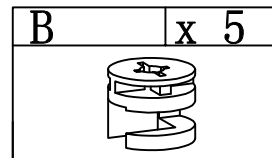
Step 10



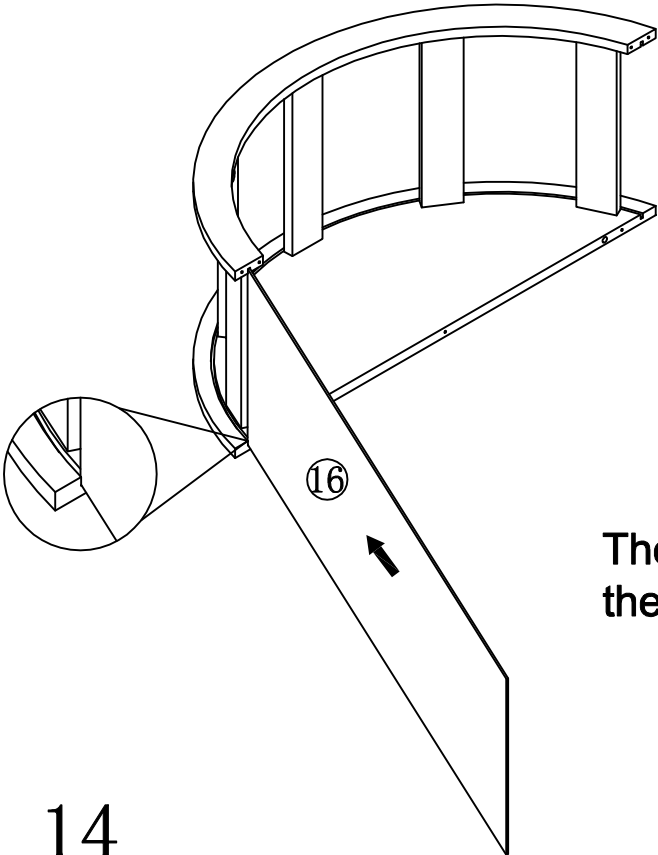
Step 11



Step 12

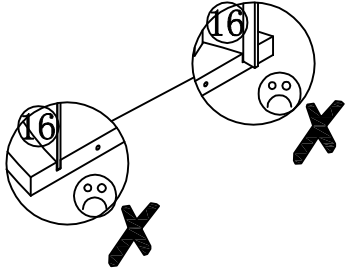
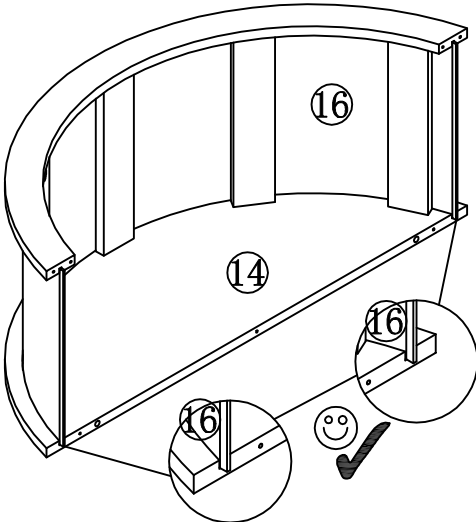


Step 13

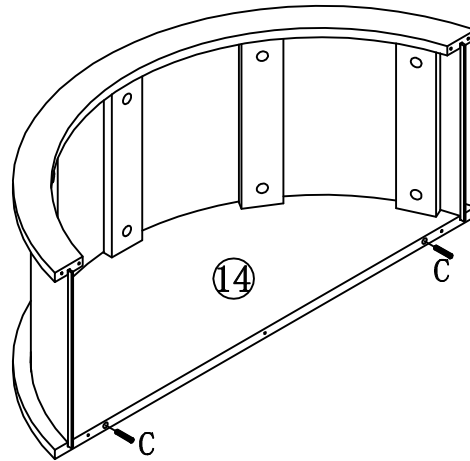
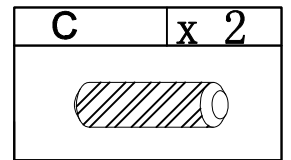


The linen faces out,
the groove faces in

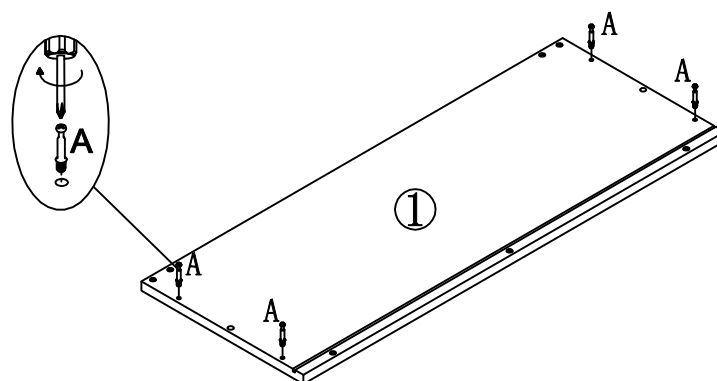
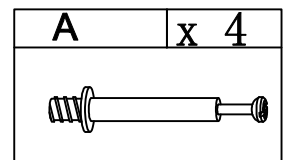
Step 14



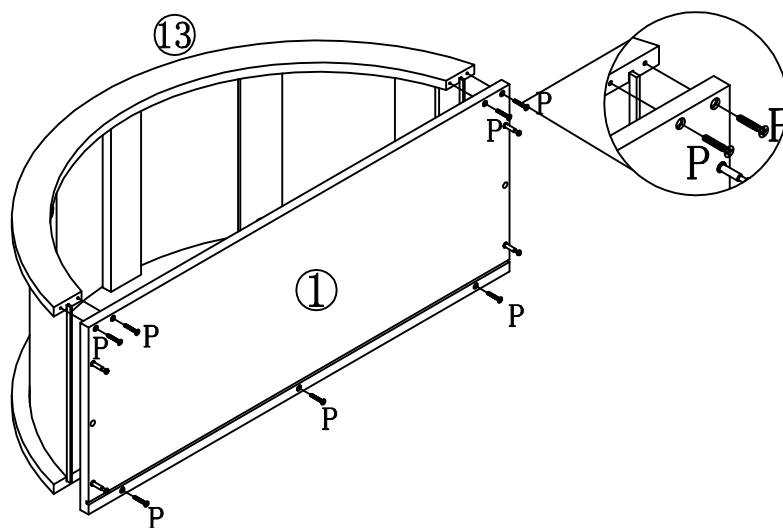
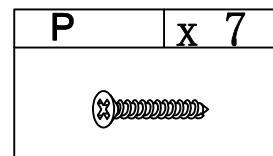
Step 15



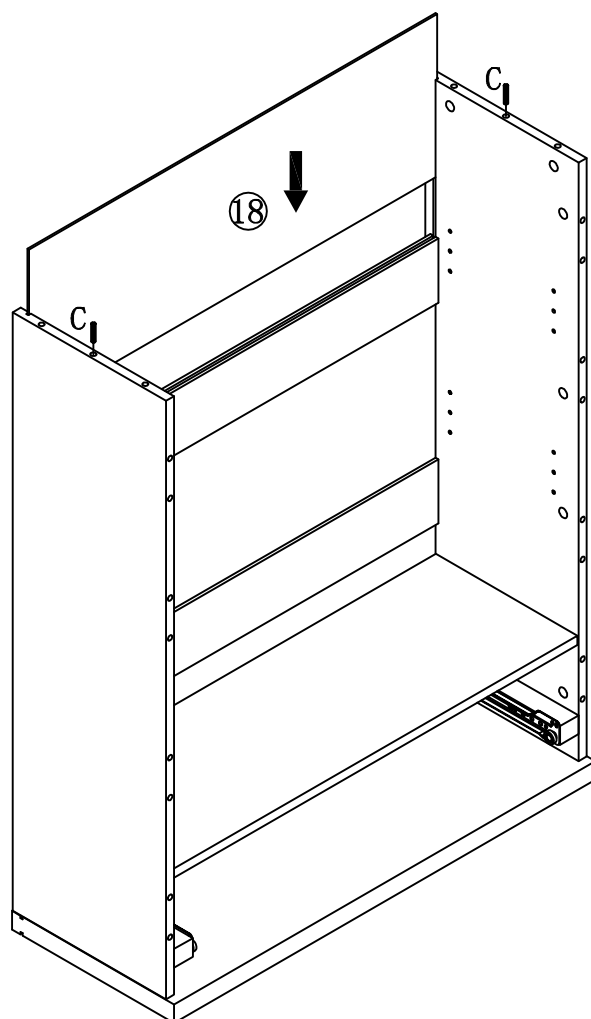
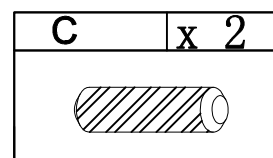
Step 16




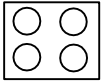
Step 17

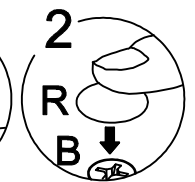
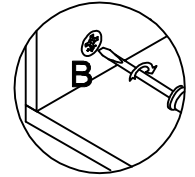
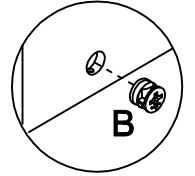
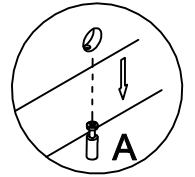
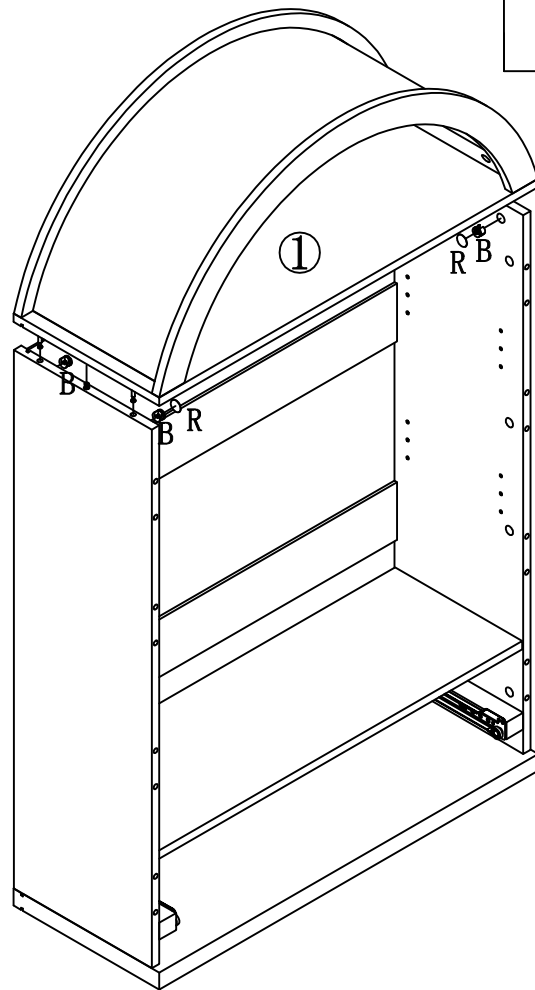


Step 18

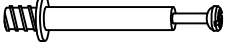


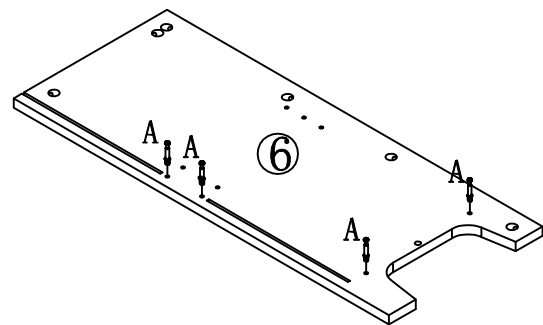
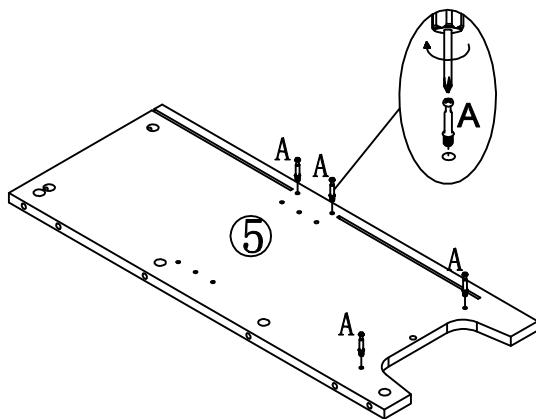
Step 19

| | | | |
|---|-----|---|-----|
| B | x 4 | R | x 4 |
|  | |  | |




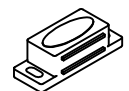
Step 20

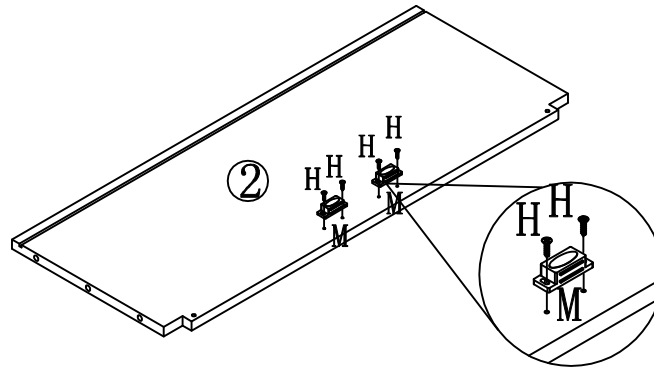
| | |
|---|-----|
| A | x 8 |
|  | |




Step 21

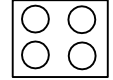
| | |
|---|-----|
| H | x 4 |
|  | |

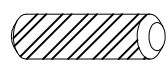
| | |
|---|-----|
| M | x 2 |
|  | |

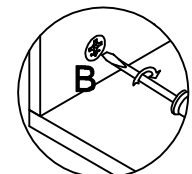
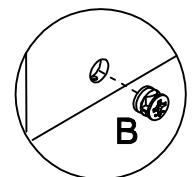
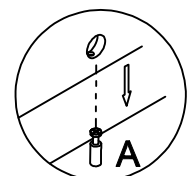
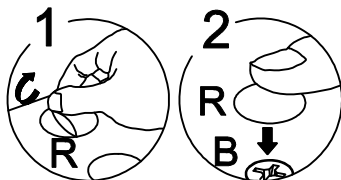
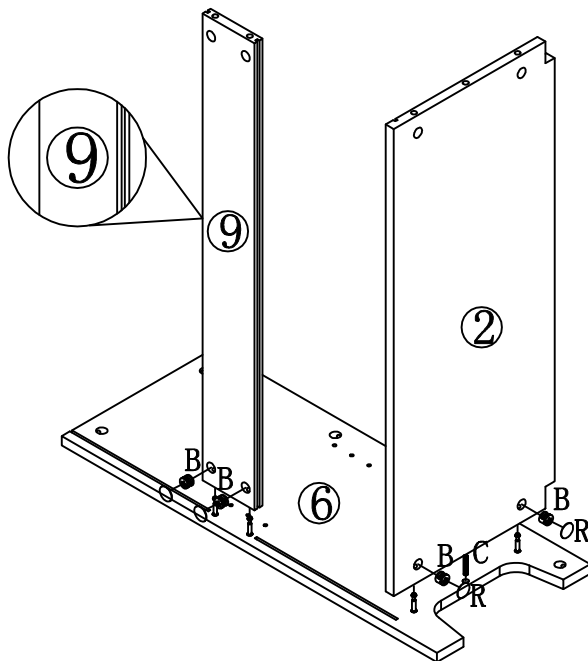


Step 22

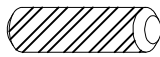
| | |
|---|-----|
| B | x 4 |
|  | |

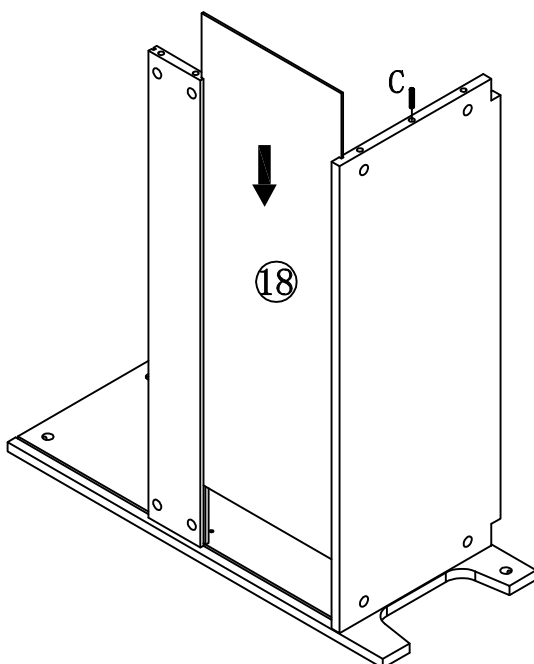
| | |
|---|-----|
| R | x 4 |
|  | |

| | |
|---|-----|
| C | x 1 |
|  | |

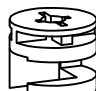


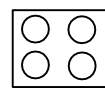
Step 23

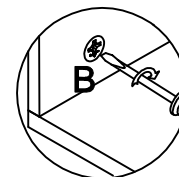
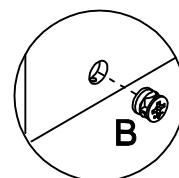
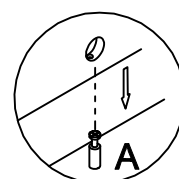
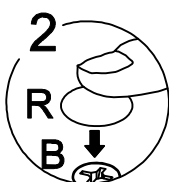
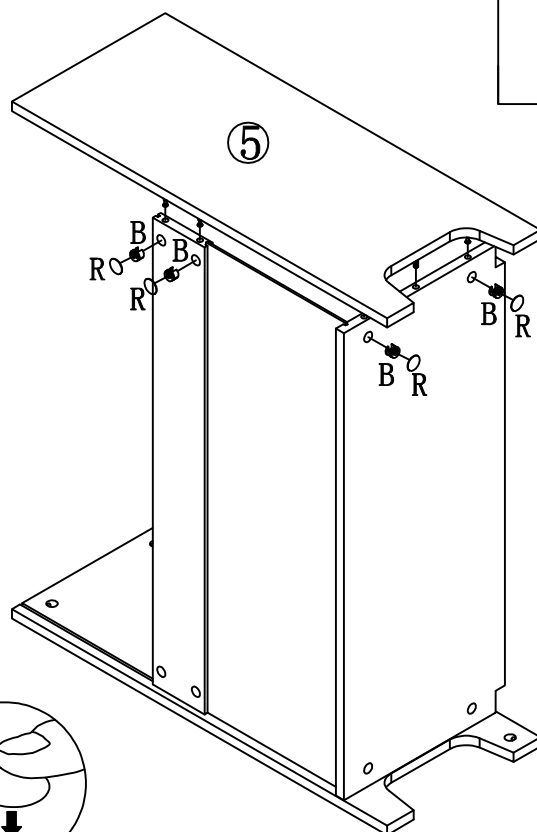
| | |
|---|-----|
| C | x 1 |
|  | |



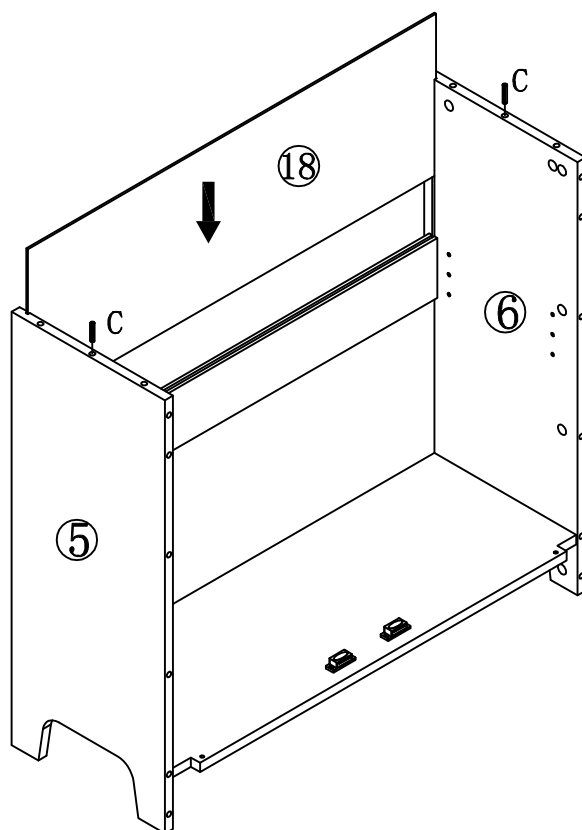
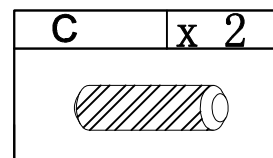
Step 24

| | |
|---|-----|
| B | x 4 |
|  | |

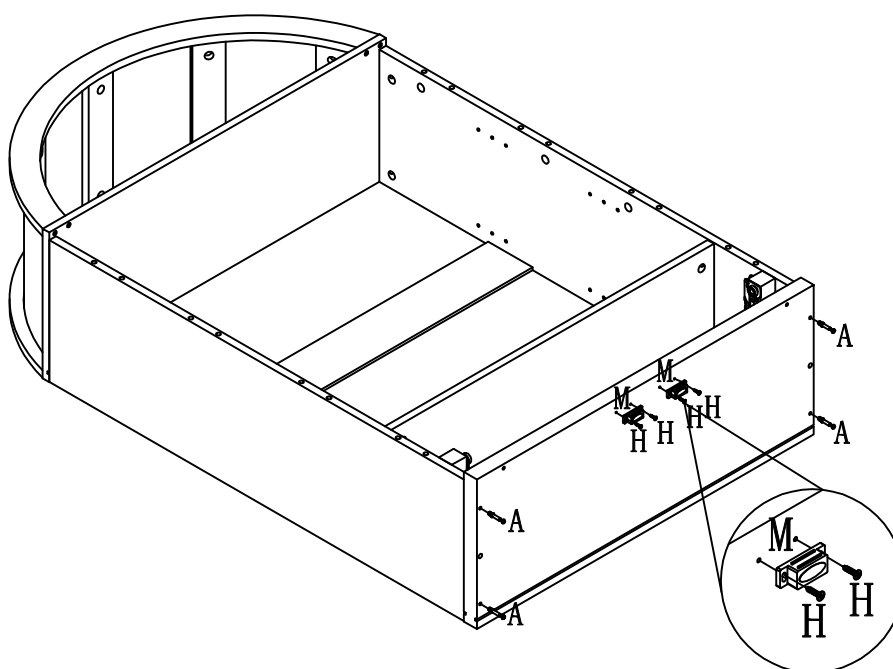
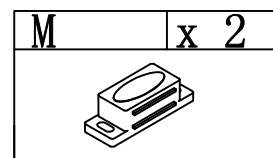
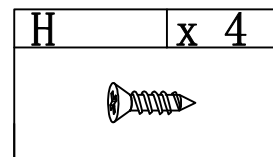
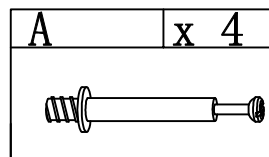
| | |
|---|-----|
| R | x 4 |
|  | |



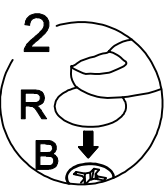
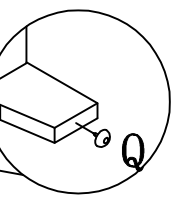
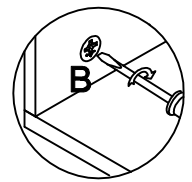
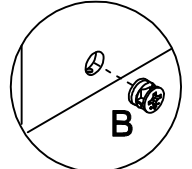
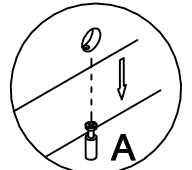
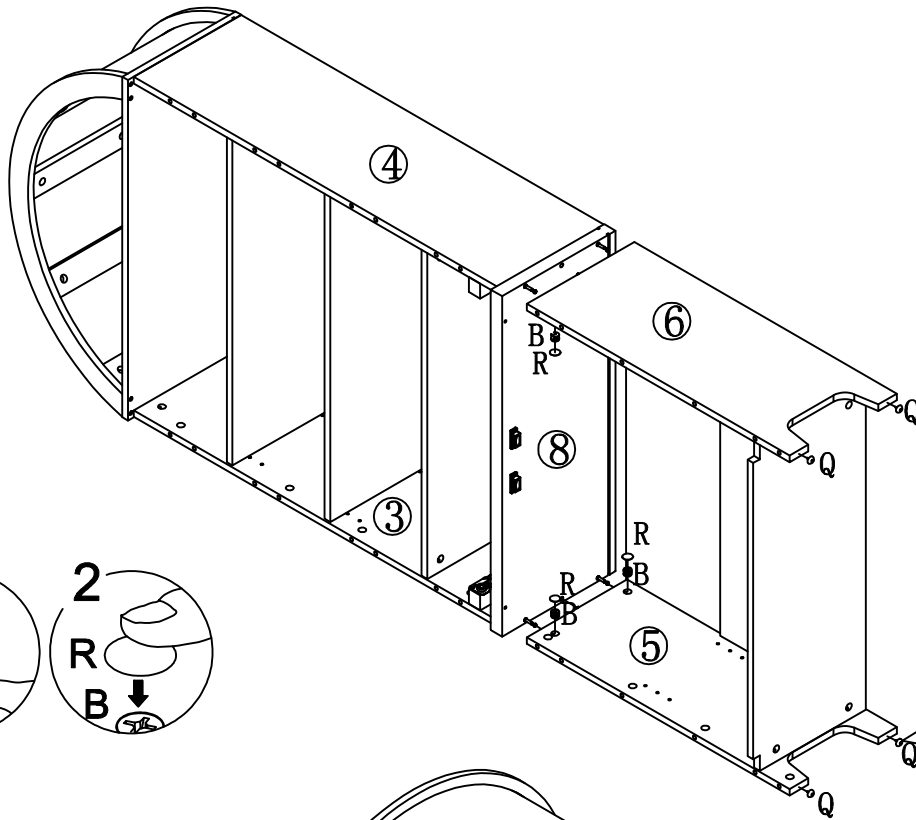
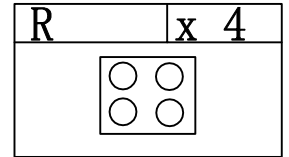
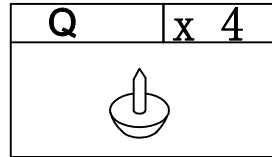
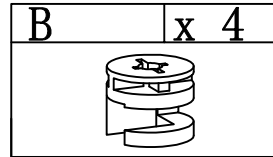
Step 25



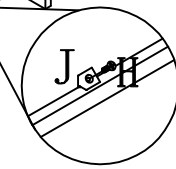
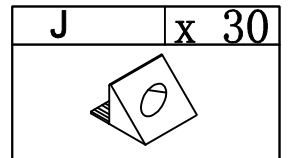
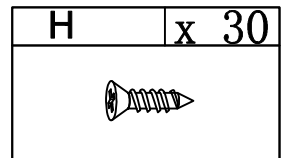
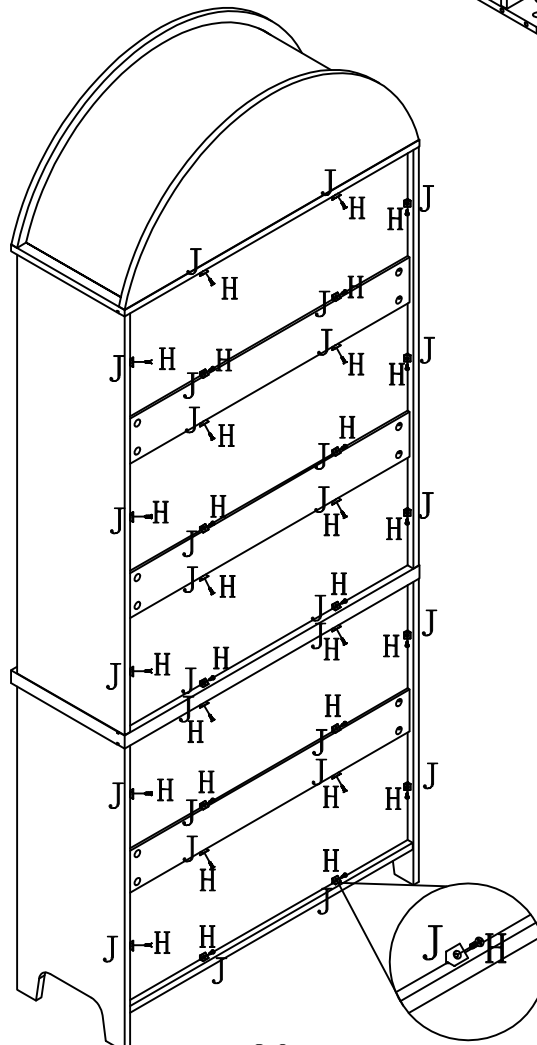
Step 26



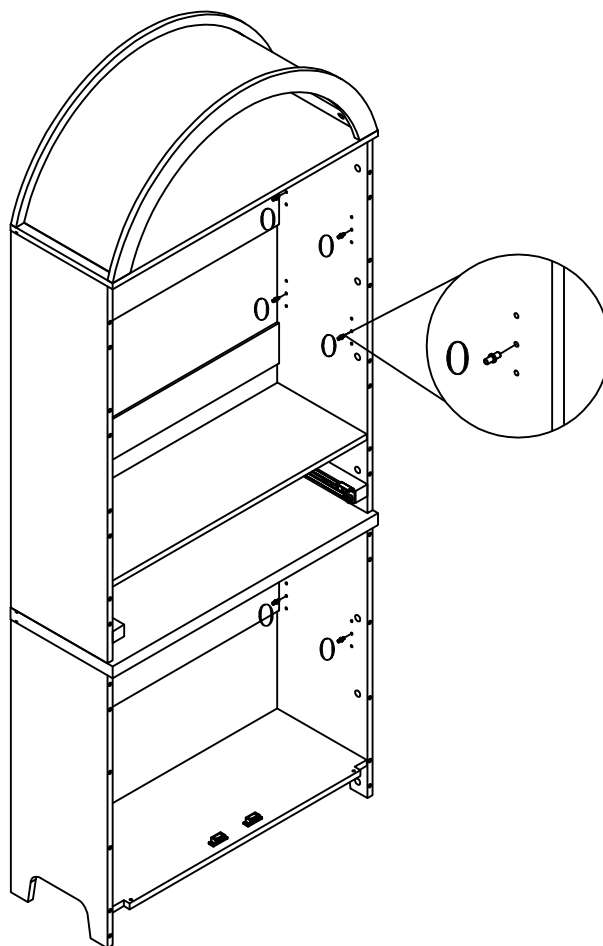
Step 27




Step 28

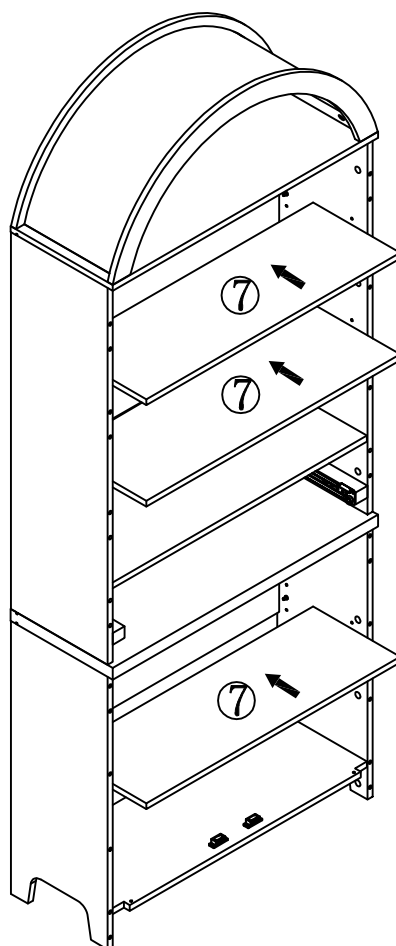


Step 29

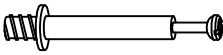
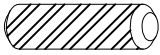


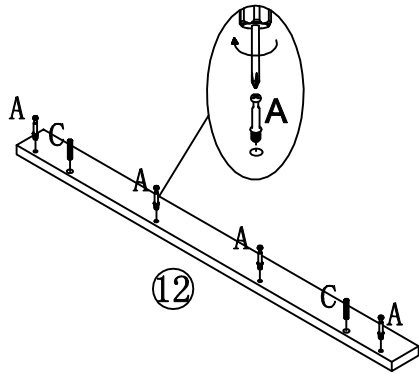
| | |
|---|------|
| 0 | x 12 |
|  | |

Step 30



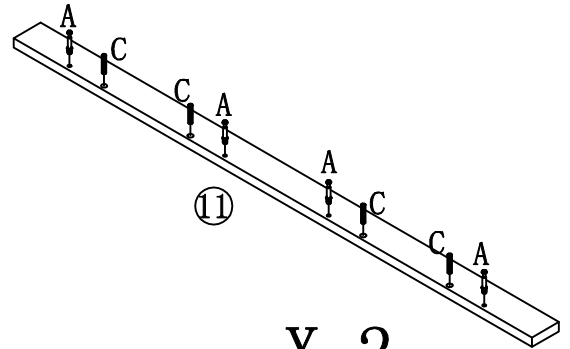
Step 31

| | |
|---|------|
| A | x 16 |
|  | |
| C | x 12 |
|  | |



⑫


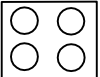
X 2

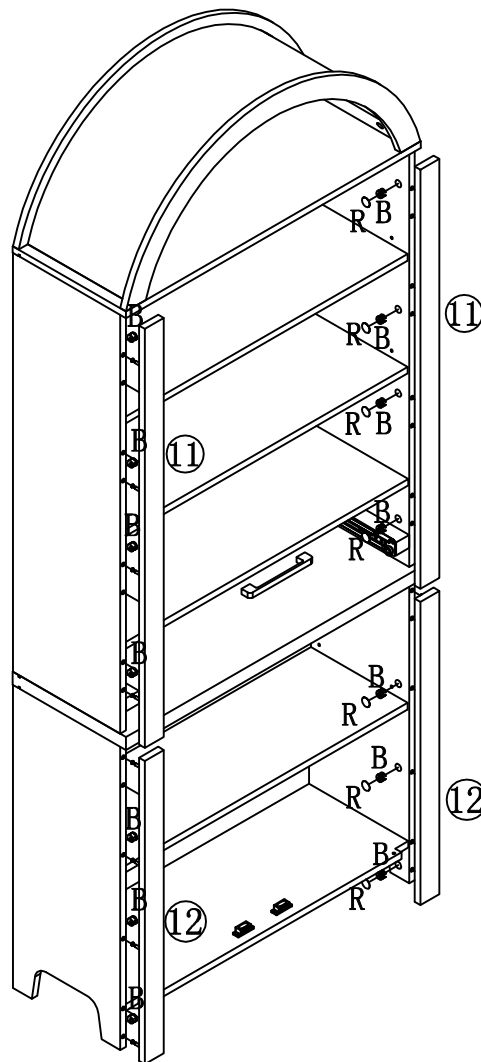


⑪

X 2

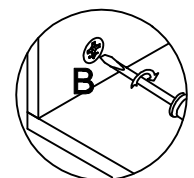
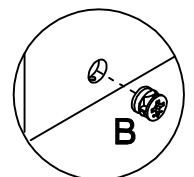
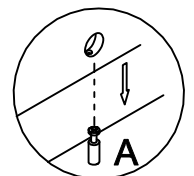
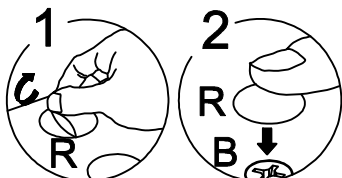
Step 32

| | |
|---|------|
| B | x 16 |
|  | |
| R | x 16 |
|  | |

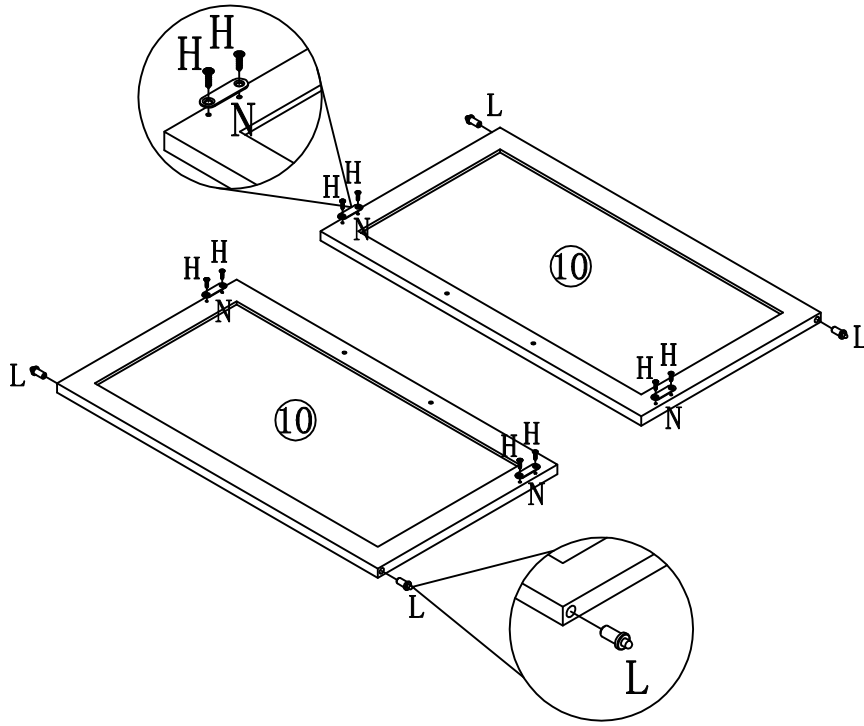





⑪

⑫

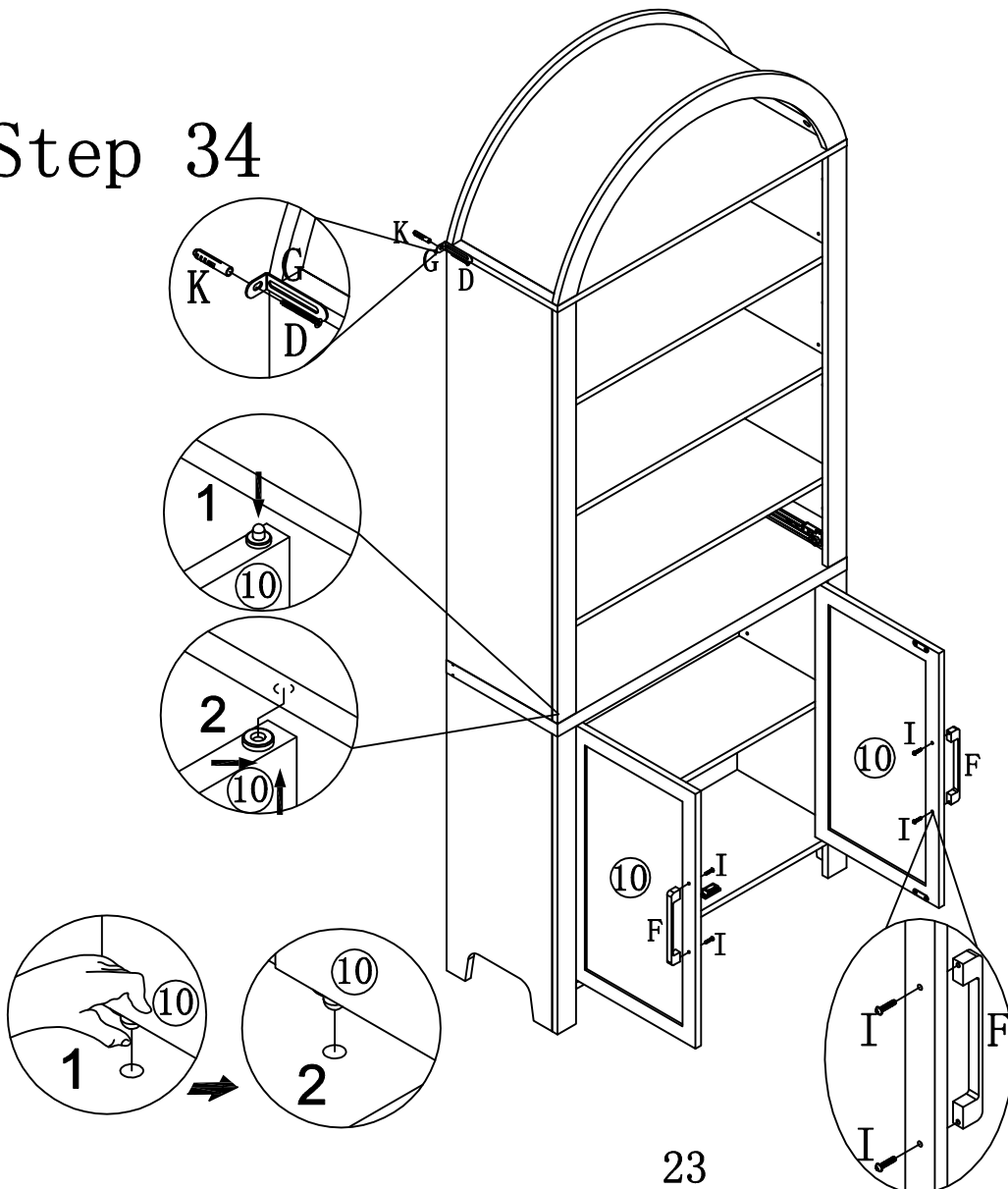


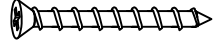
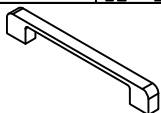



Step 33



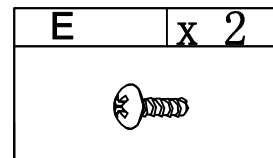
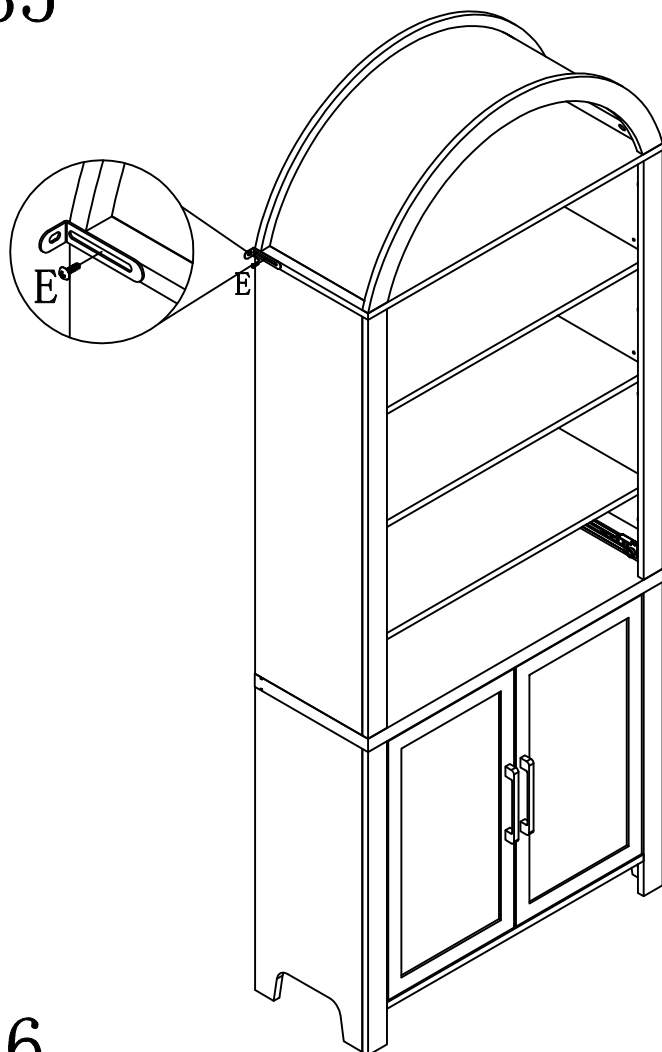
| | |
|---|-----|
| H | x 8 |
|  | |
| L | x 4 |
|  | |
| N | x 4 |
|  | |

Step 34

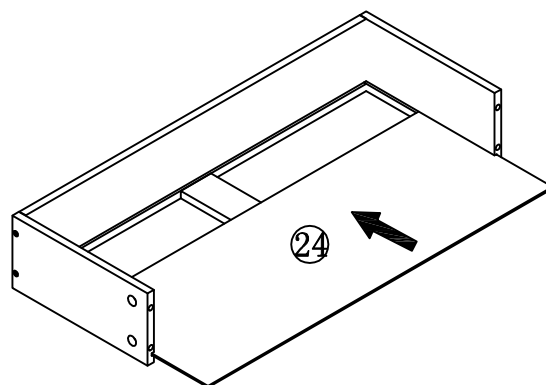
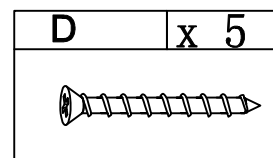
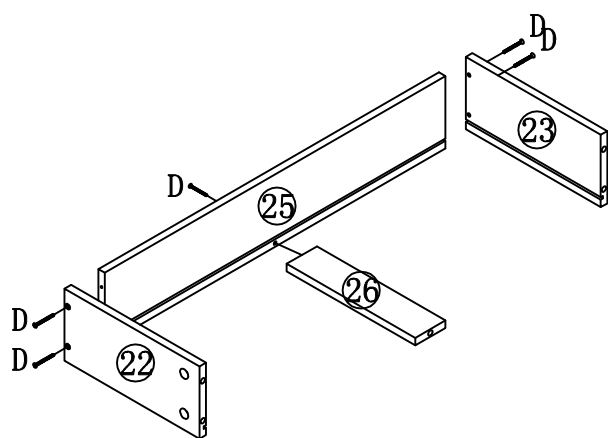


| | |
|---|-----|
| D | x 2 |
|  | |
| F | x 2 |
|  | |
| G | x 2 |
|  | |
| I | x 4 |
|  | |
| K | x 2 |
|  | |

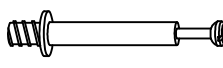

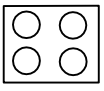
Step 35

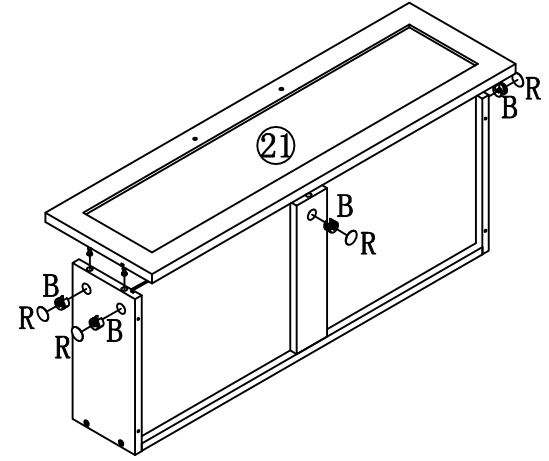
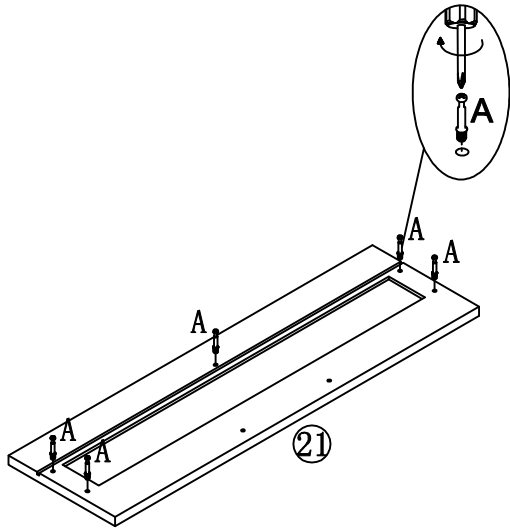


Step 36

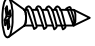
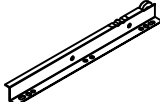
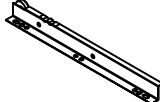


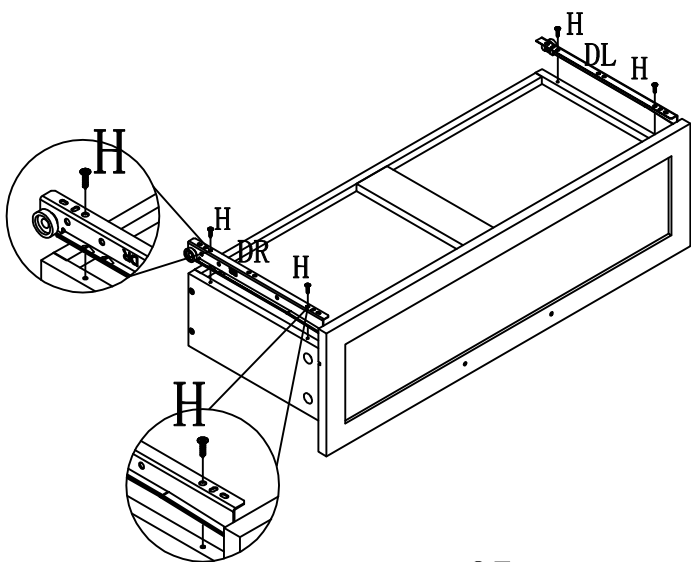
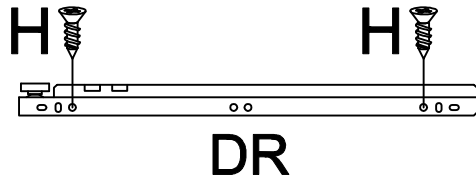
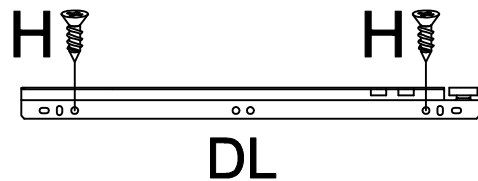
Step 37

| | | | |
|--|-----|---|-----|
| A | x 5 | B | x 5 |
|  | |  | |
| | | R | x 5 |
| | |  | |

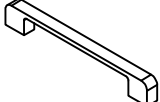



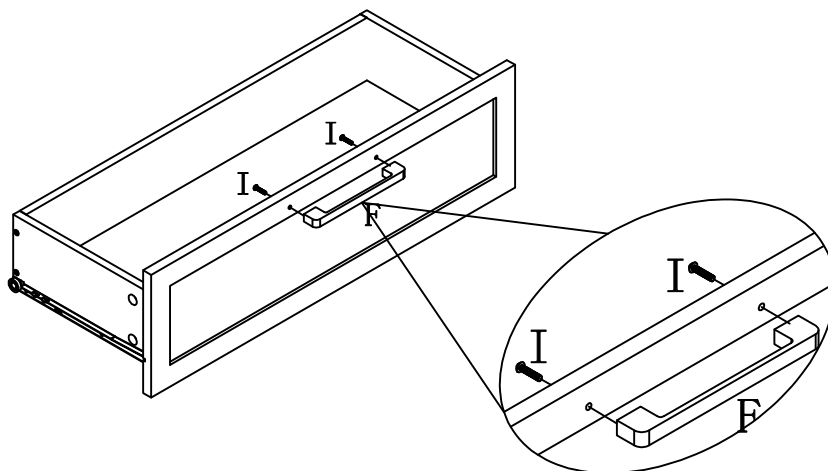
Step 38

| | | | | | |
|---|-----|--|-----|---|-----|
| H | x 4 | DL | x 1 | DR | x 1 |
|  | |  | |  | |



Step 39

| | | | |
|--|-----|---|-----|
| F | x 1 | I | x 2 |
|  | |  | |



Step 40

