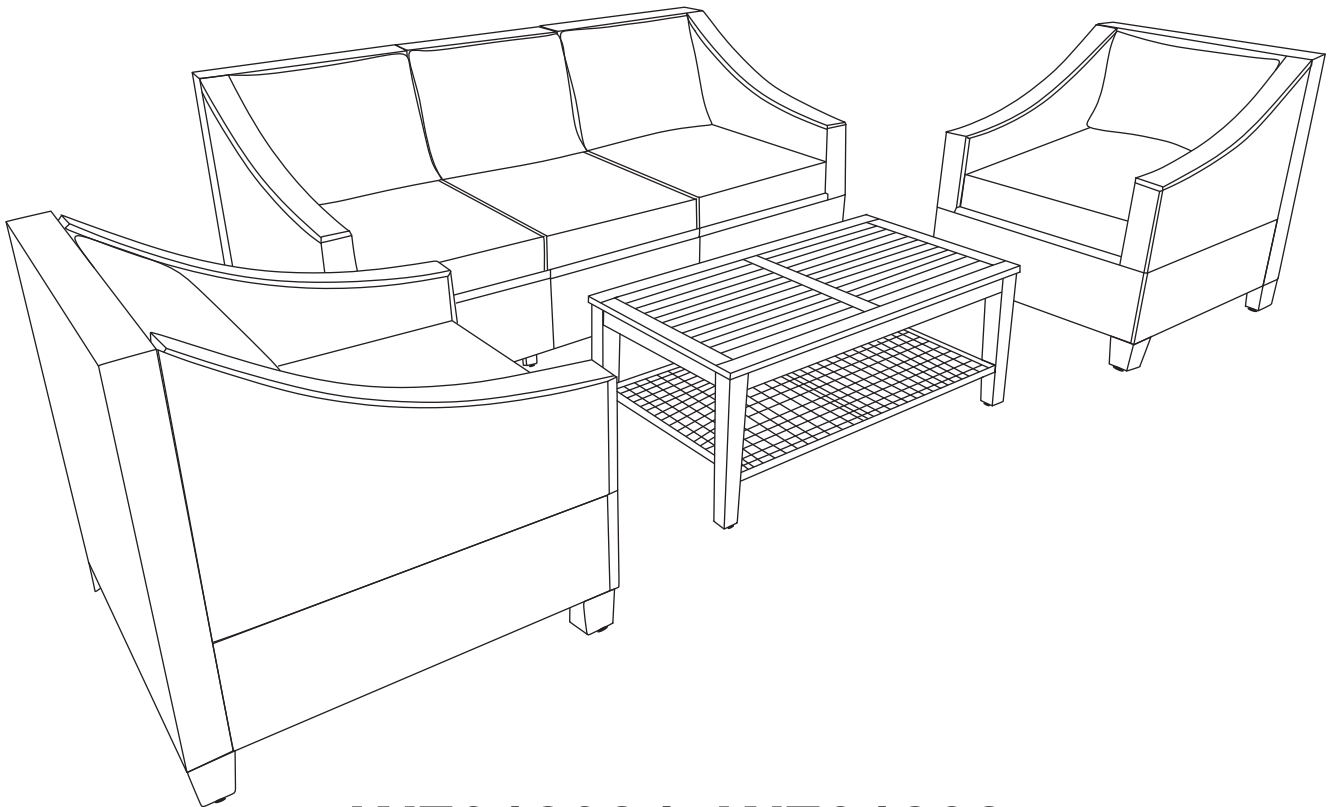


ASSEMBLY INSTRUCTION

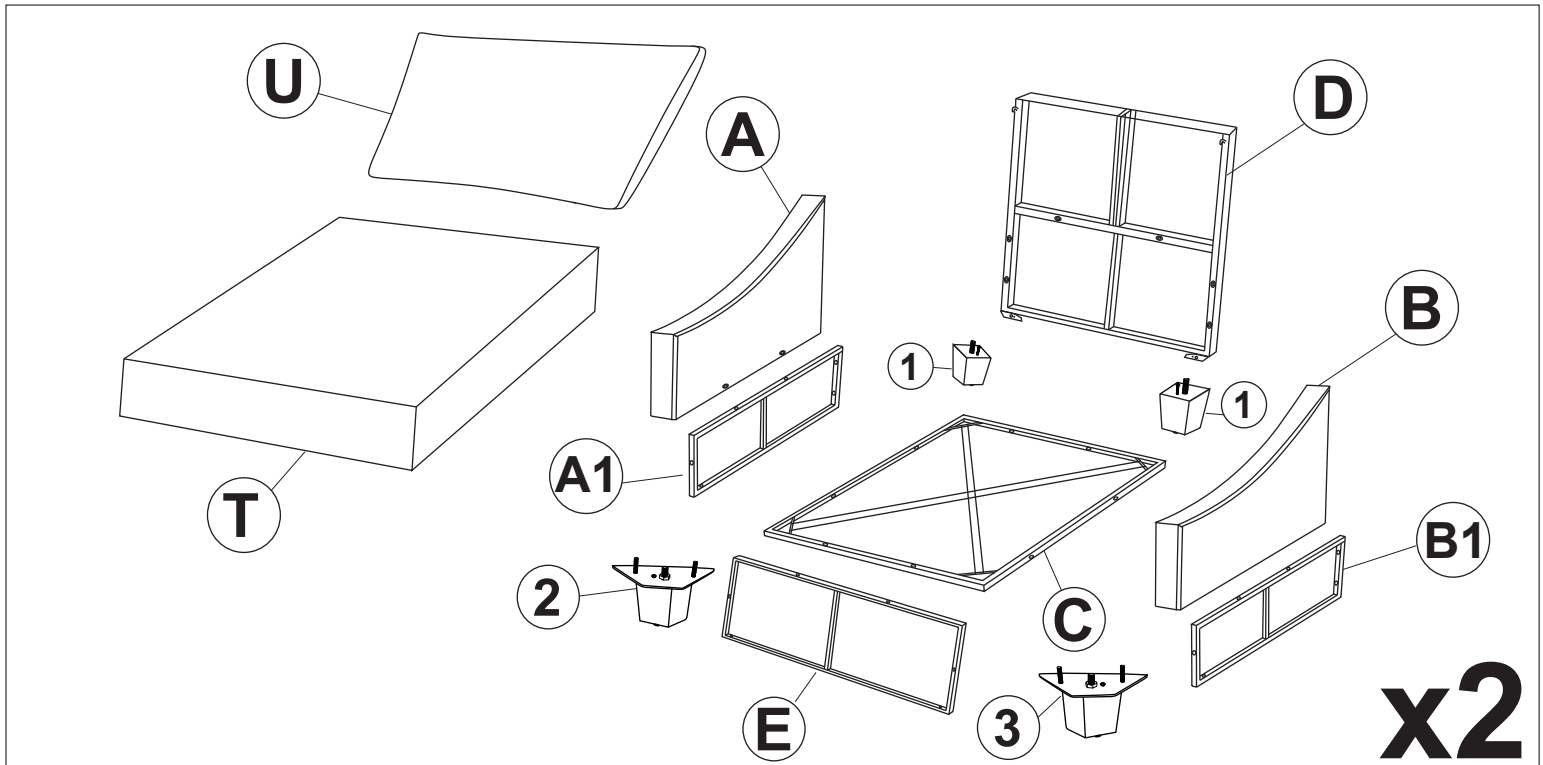
PATIO CONVERSATION SET



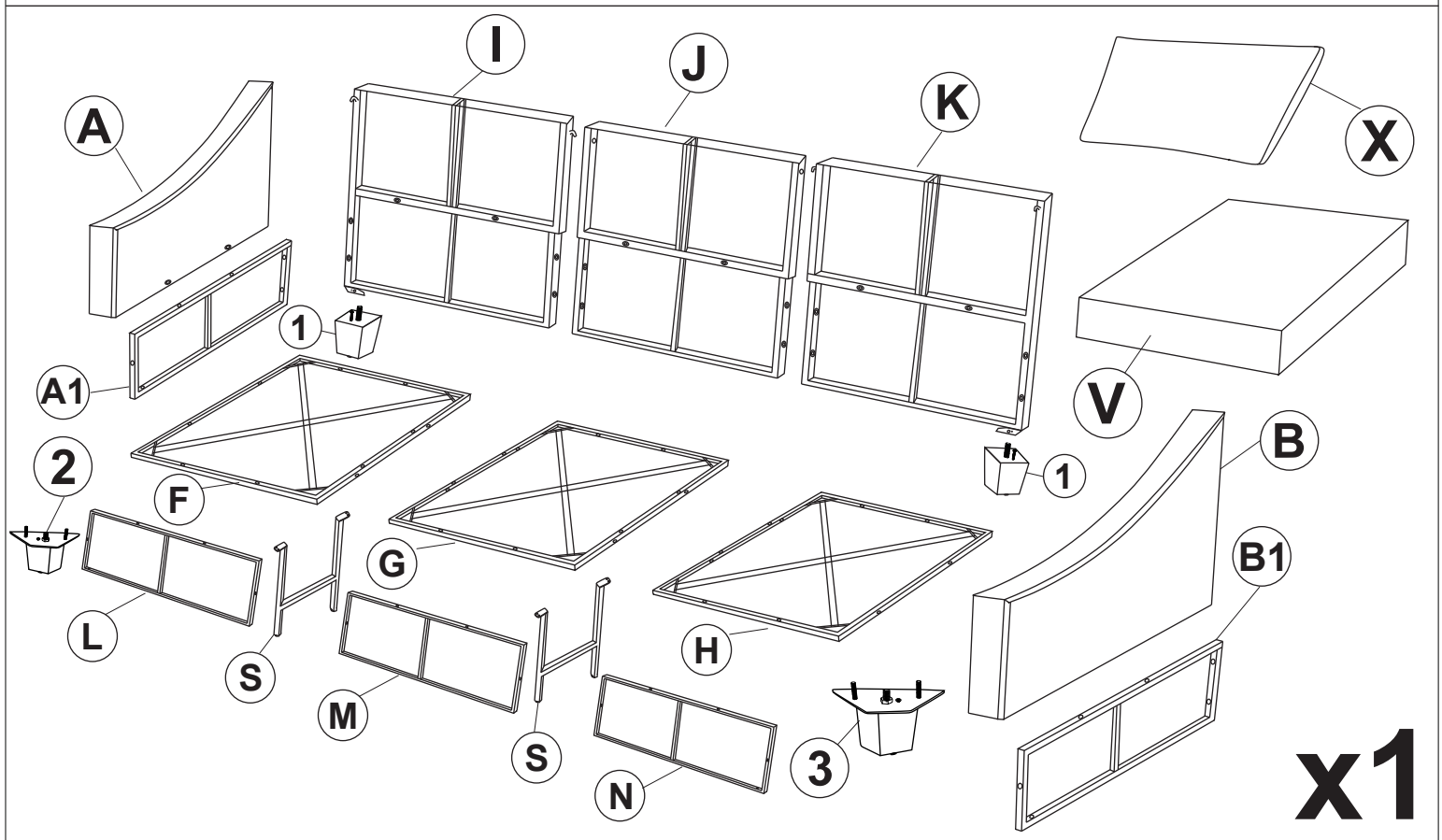
**WF318384; WF318385
WF318386; WF318387**

Please read all instructions carefully:

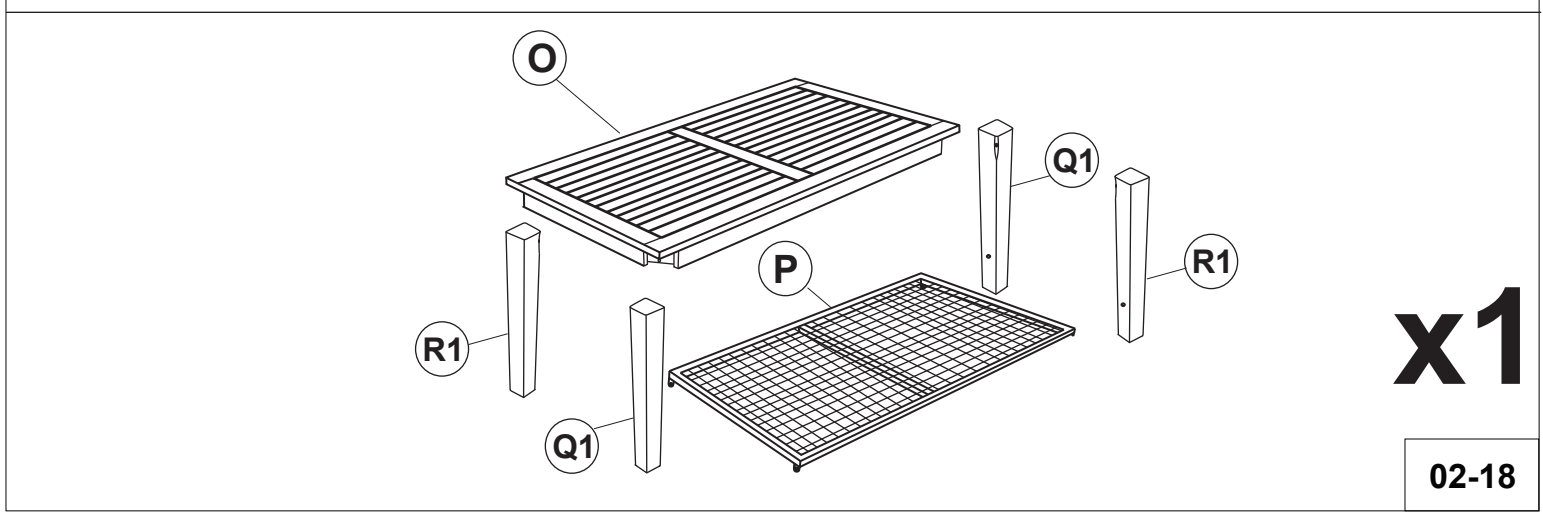
1. Have 2 adults on hand for assembly.
2. 50% Tighten before fixing all screws, Allen wrench is recommended instead of an electric drill.
3. Place the item on a flat ground to adjust and make sure it remains stable.
4. Tighten up all screws with tools gradually.
5. If the screws are not aligned with holes during assembly, please loosen all the other screws to 50% and continue the assembly process.
6. If the item is not stable, please loosen all the screws, adjust it on a flat ground and tighten up all screws again.
7. Note : If one or some screws are fully tightened during assembly, chances are the others will not be aligned with holes. In addition, all the holes are designed to be relatively larger to provide more space for the adjustment of the screws.



x2



x1

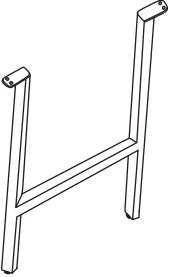
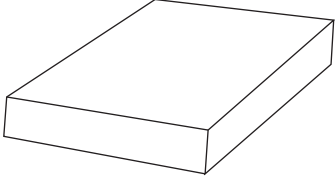
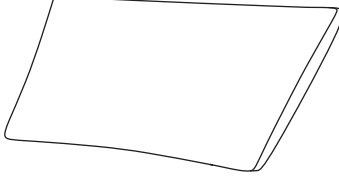
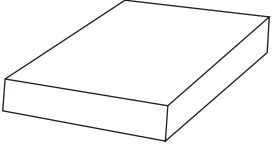
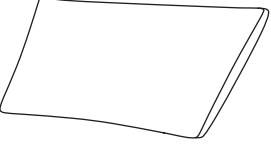


x1

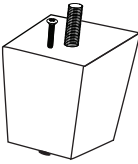
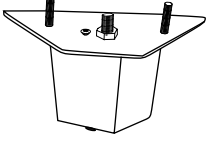
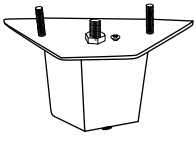
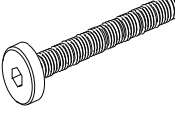
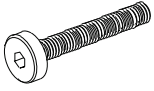


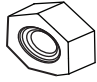
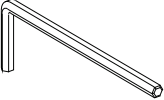

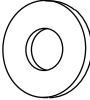

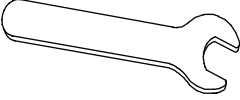
Part List :

<p>A</p> <p>Right Armchair Frame (3 pc)</p>	<p>A1</p> <p>Right Armchair Panel (3 pcs)</p>	<p>B</p> <p>Left Armchair Frame (3 pcs)</p>	<p>B1</p> <p>Left Armchair Panel (3 pcs)</p>
<p>C</p> <p>Seat Armchair Frame (2 pcs)</p>	<p>D</p> <p>Backrest Armchair Frame (2 pcs)</p>	<p>E</p> <p>Front Seat Armchair Frame (2 pc)</p>	<p>F</p> <p>Seat Right Bench Frame (1 pc)</p>
<p>G</p> <p>Seat Center Bench Frame (1 pc)</p>	<p>H</p> <p>Seat Left Bench Frame (1 pc)</p>	<p>I</p> <p>Backrest Right Bench Frame (1 pc)</p>	<p>J</p> <p>Backrest Center Bench Frame (1 pc)</p>
<p>K</p> <p>Backrest Left Bench Frame (1 pc)</p>	<p>L</p> <p>Front Right Bench Panel (1 pc)</p>	<p>M</p> <p>Front Center Bench Panel (1 pc)</p>	<p>N</p> <p>Front Left Bench Panel (1 pc)</p>
<p>O</p> <p>Wooden Table Top (1 pc)</p>	<p>P</p> <p>Shelf Table Frame (1 pc)</p>	<p>Q1</p> <p>Right Leg Table (2 pcs)</p>	<p>R1</p> <p>Left Leg Table (2 pcs)</p>

Part List :

<p>S</p>  <p>Support Leg Bench Frame (2 pc)</p>	<p>T</p>  <p>Armchair Cushion (2 pcs)</p>	<p>U</p>  <p>Armchair Pillow (2 pcs)</p>	<p>V</p>  <p>Bench Cushion (3 pcs)</p>
<p>X</p>  <p>Bench Pillow (3 pcs)</p>			

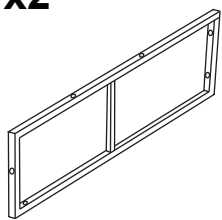
Hardware list:

<p>1</p>  <p>Extra (1 pcs) Wooden Leg (6pcs)</p>	<p>2</p>  <p>Extra (1 pcs) Right Wooden Leg (3pcs)</p>	<p>3</p>  <p>Extra (1 pcs) Left Wooden Leg (3pcs)</p>	<p>4</p>  <p>Extra (3 pcs) Bolt M6x45 (30pcs)</p>	<p>5</p>  <p>Extra (2 pc) Bolt M6x35 (42 pcs)</p>
<p>6</p>  <p>Extra (1 pc) Bolt M6x15 (12 pcs)</p>	<p>7</p>  <p>Extra (5 pcs) Flat Washer M6 (96 pcs)</p>	<p>8</p>  <p>Extra (2 pcs) Nut M6 (12 pcs)</p>	<p>9</p>  <p>Allen Key (2 pcs)</p>	<p>10</p>  <p>Steel Wrench M6 (1 pcs)</p>
<p>11</p>  <p>Extra (5 pcs) Flat Washer M9 (12 pcs)</p>	<p>12</p>  <p>Extra (2 pcs) Nut M8 (6 pcs)</p>	<p>13</p>  <p>Steel Wrench M8 (1 pcs)</p>		

CARTON CONTENT:

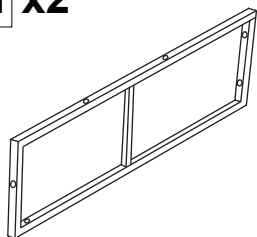
WF318384

A1 x2



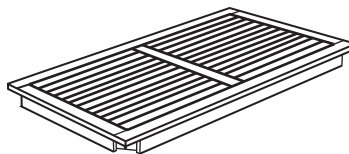
Right Armchair Panel (3 pcs)

B1 x2



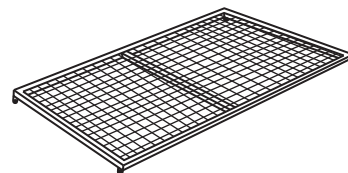
Left Armchair Panel (3 pcs)

O x1



Wooden Table Top (1 pc)

P x1



Shelf Table Frame (1 pc)

Q1 x2



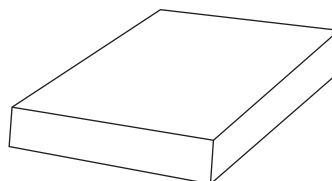
Right Leg Table (2 pcs)

R1 x2

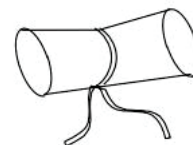


Left Leg Table (2 pcs)

T x2



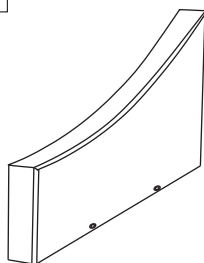
Armchair Cushion (2 pcs)



Hardware

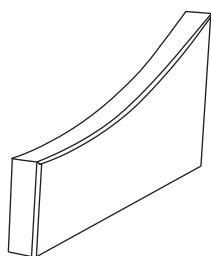
WF318385

A x3



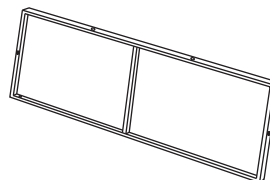
Right Armchair Frame (3 pc)

B x3



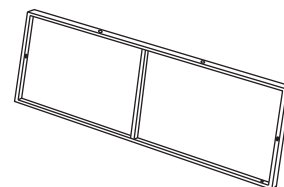
Left Armchair Frame (3 pcs)

L x1



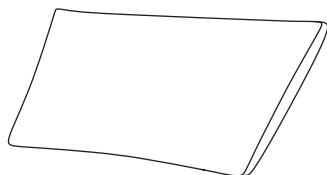
Front Right Bench Panel (1 pc)

N x1



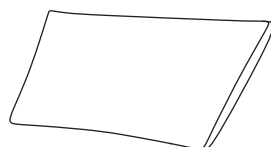
Front Left Bench Panel (1 pc)

U x1



Armchair Pillow (2 pcs)

X x3

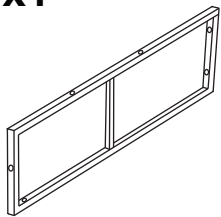


Bench Pillow (3 pcs)

CARTON CONTENT:

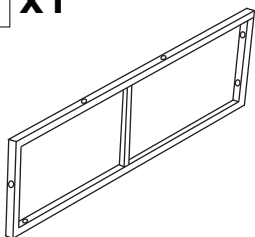
WF318386

A1 x1



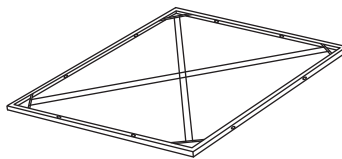
Right Armchair Panel (3 pcs)

B1 x1



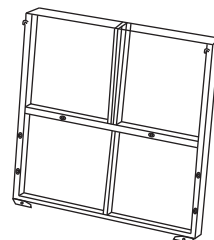
Left Armchair Panel (3 pcs)

C x2



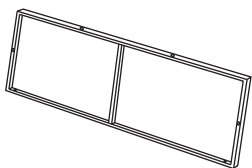
Seat Armchair Frame (2 pcs)

D x2



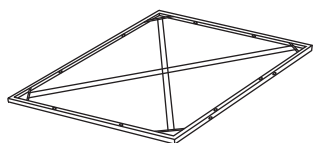
Backrest Armchair Frame (2 pcs)

E x2



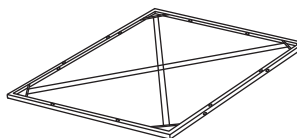
Front Seat Armchair Frame (2 pc)

F x1



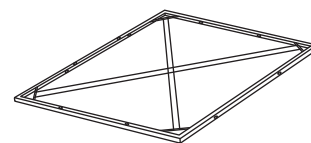
Seat Right Bench Frame (1 pc)

G x1



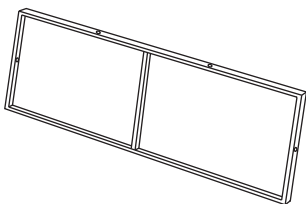
Seat Center Bench Frame (1 pc)

H x1



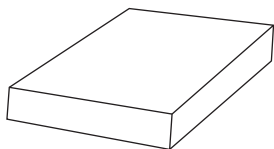
Seat Left Bench Frame (1 pc)

M x1



Front Center Bench Panel (1 pc)

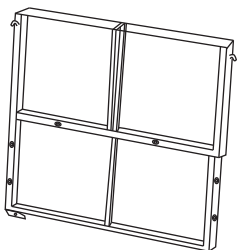
V x1



Bench Cushion (3 pcs)

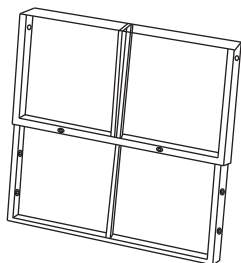
WF318387

I x1



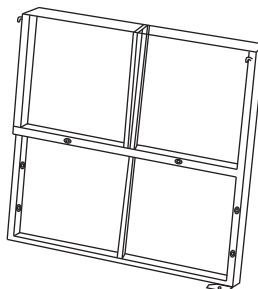
Backrest Right Bench Frame (1 pc)

J x1



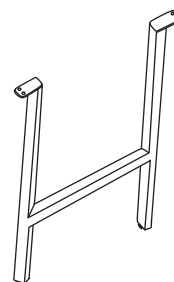
Backrest Center Bench Frame (1 pc)

K x1



Backrest Left Bench Frame (1 pc)

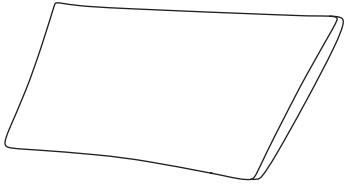
S x2



Support Leg Bench Frame (2 pc)

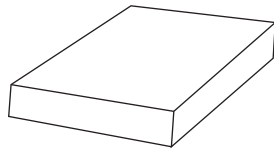
CARTON CONTENT:

U x1



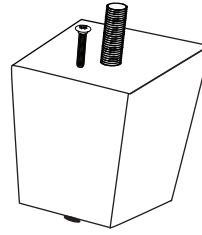
Armchair Pillow (2 pcs)

V x2



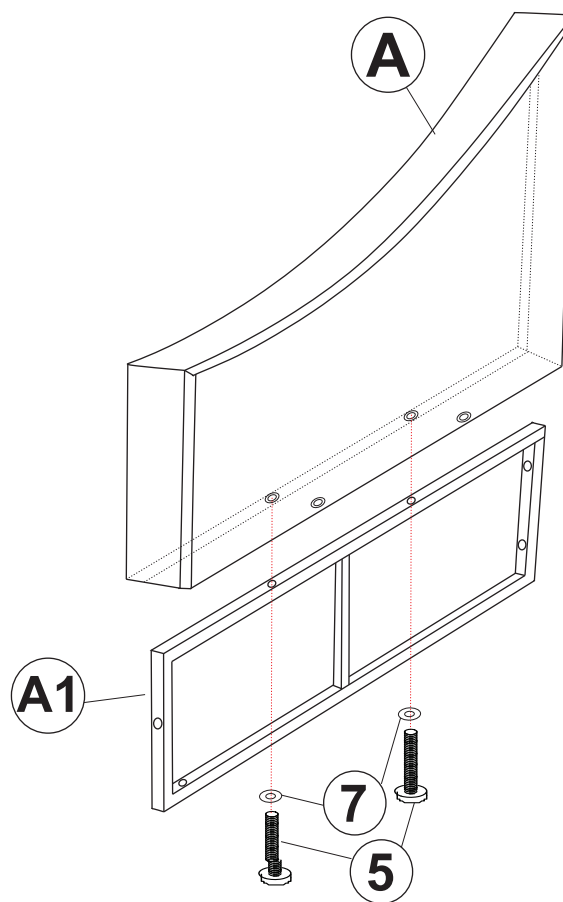
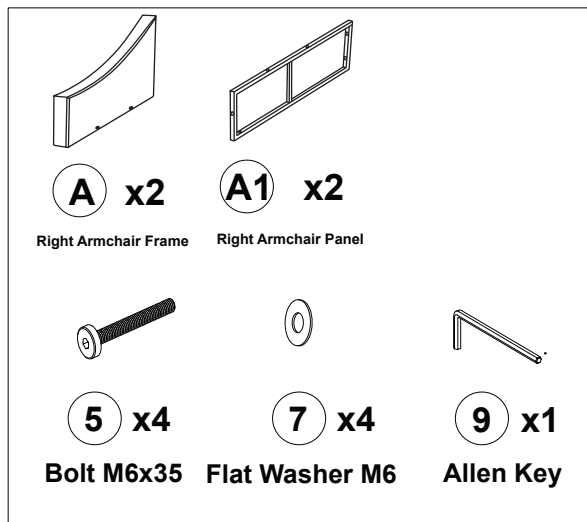
Bench Cushion (3 pcs)

1 x6



Wooden Leg

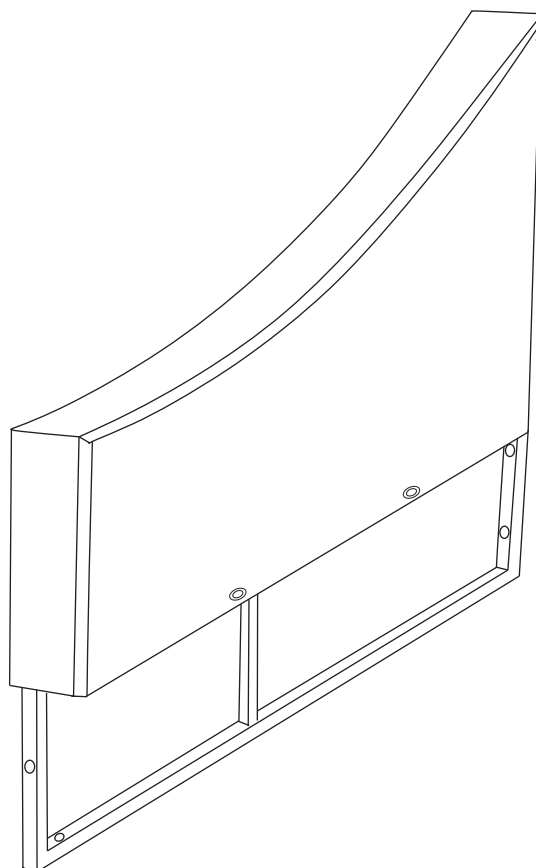
STEP 1



x2

Connect Right Armchair Frame (A) & Right Armchair Panel (A1), tighten Bolt (5) & flat washer (7) with Allen Key (9)

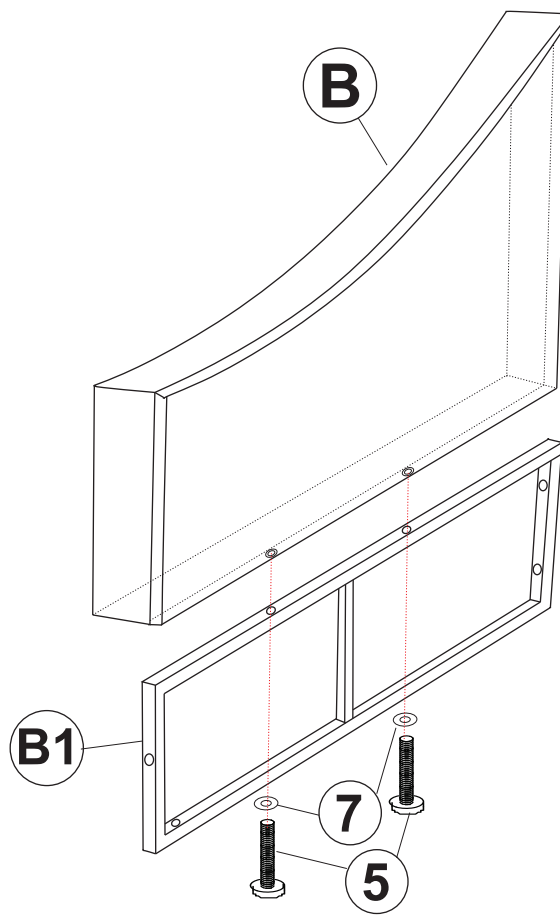
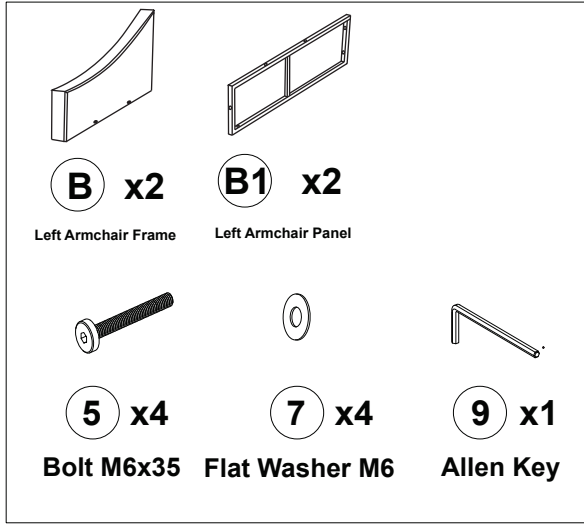
STEP 2



x2

Connect Finished Step 1

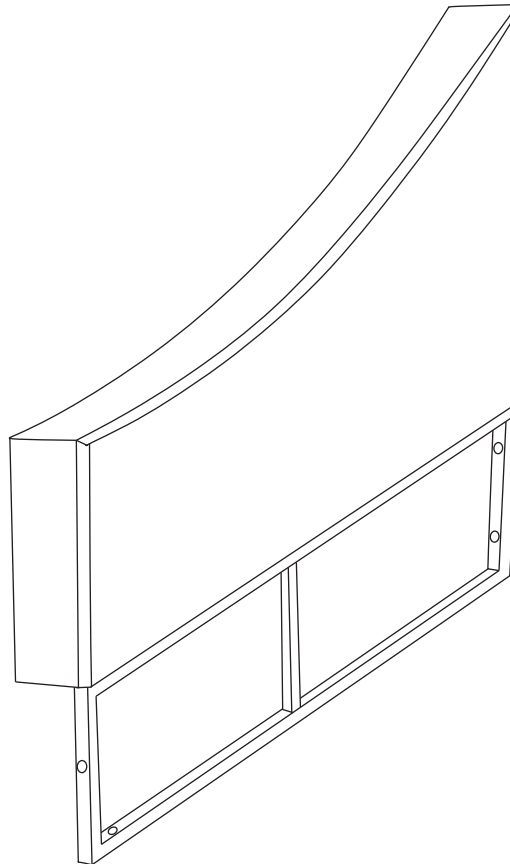
STEP 3



x2

Connect Left Armchair Frame (B) & Left Armchair Panel (B1), tighten Bolt (5) & flat washer (7) with Allen Key (9)

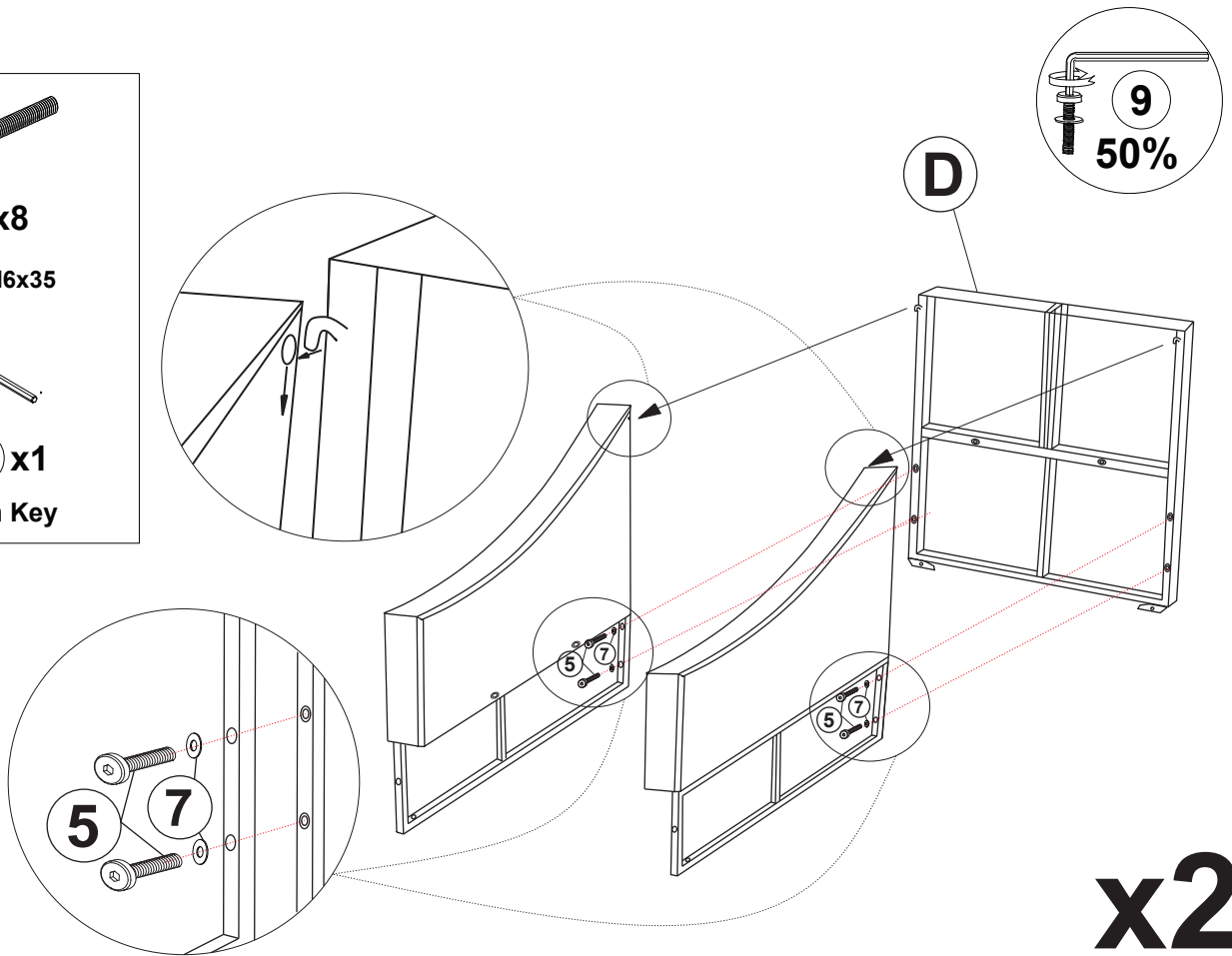
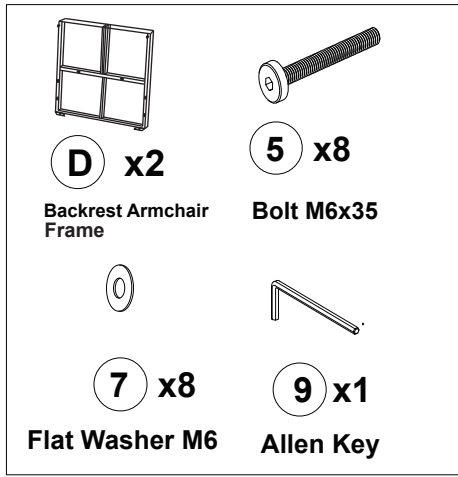
STEP 4



x2

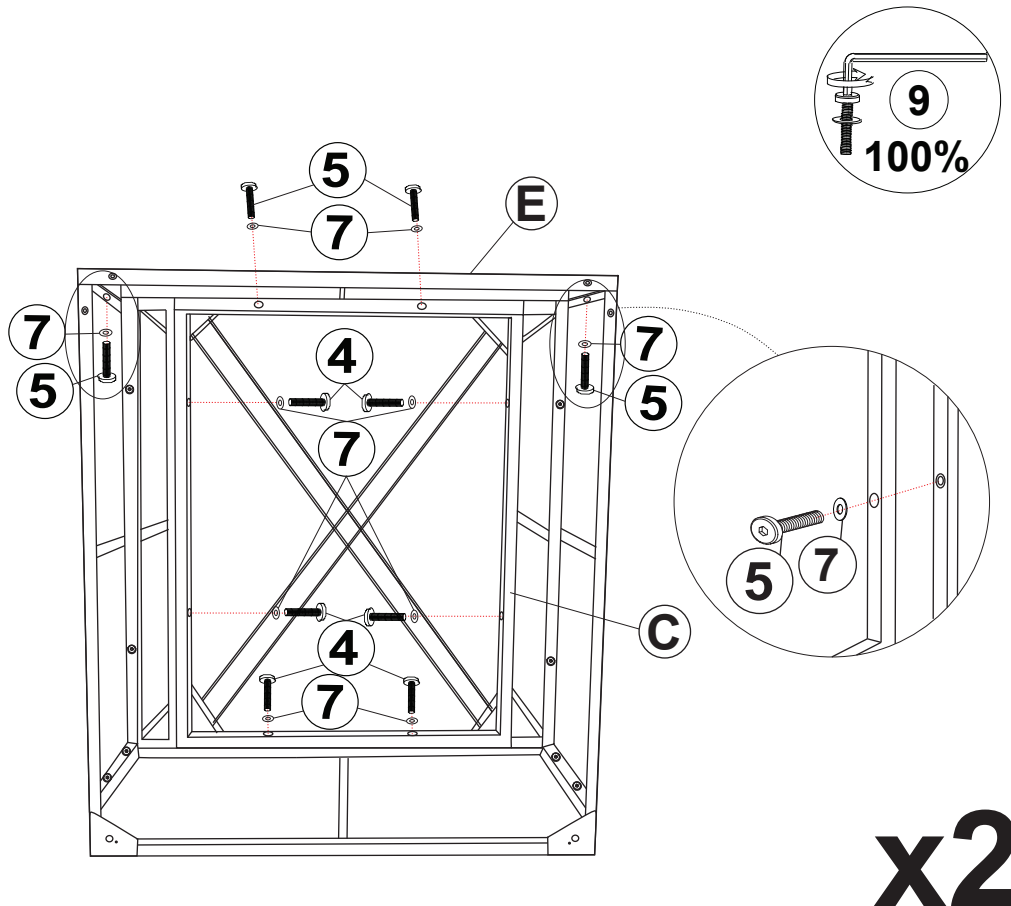
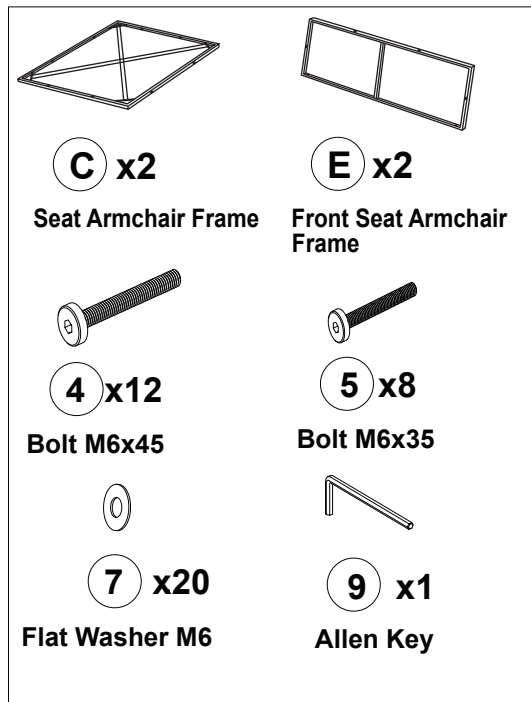
Connect Finished Step 3

STEP 5



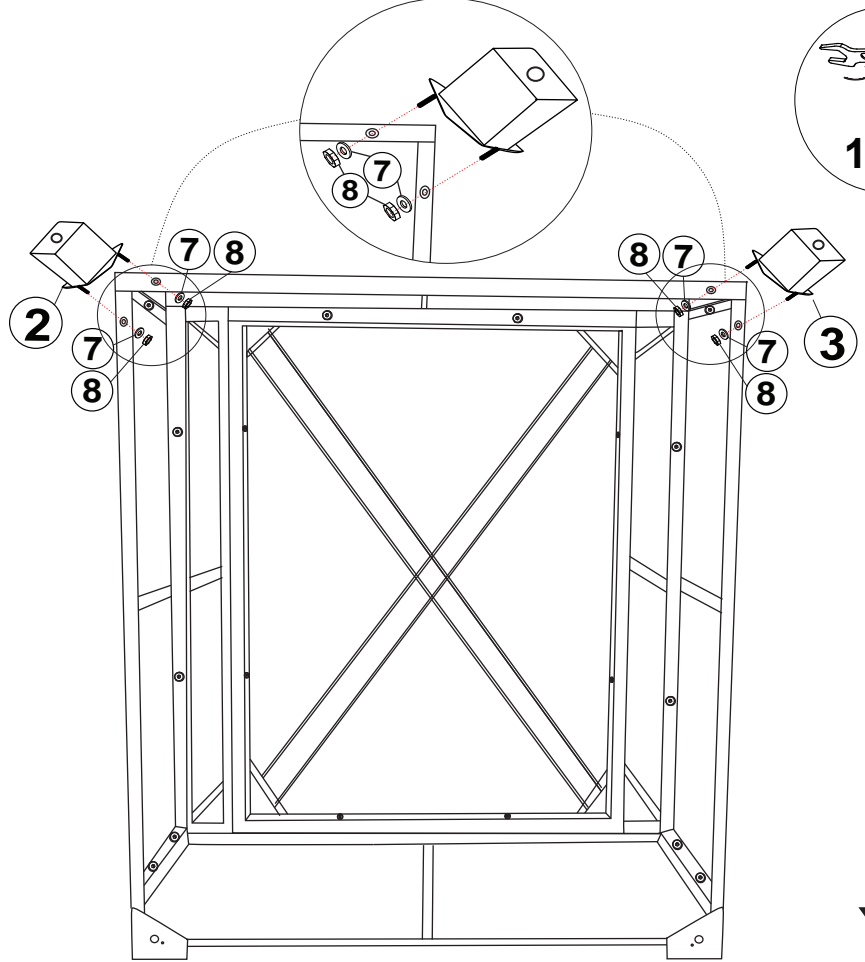
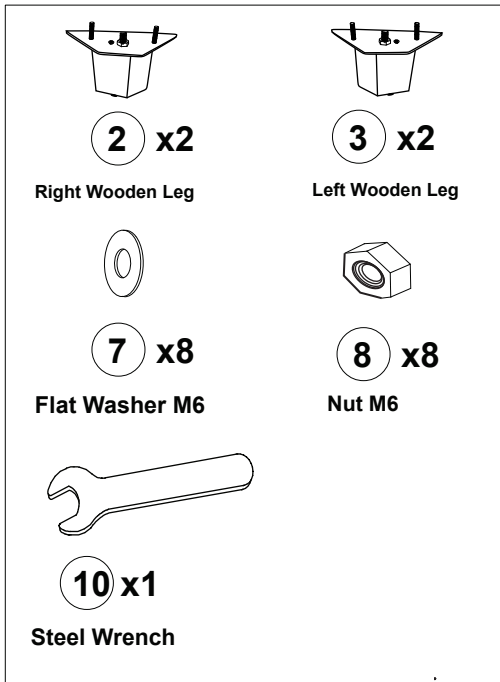
Connect Backrest Armchair Frame (D) & Step 2 & Step 4 , tighten Bolt (5) & flat washer (7) with Allen Key (9)

STEP 6



Connect Step 5 & Seat Armchair Frame (C) & Front Seat Armchair Frame (E) , tighten Bolt (4) & (5), flat washer (7) with Allen Key (9)

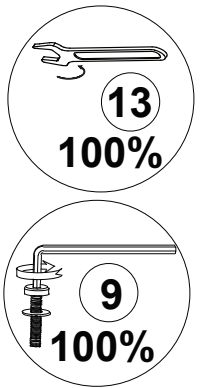
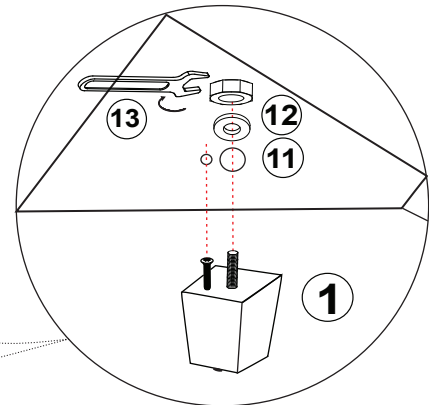
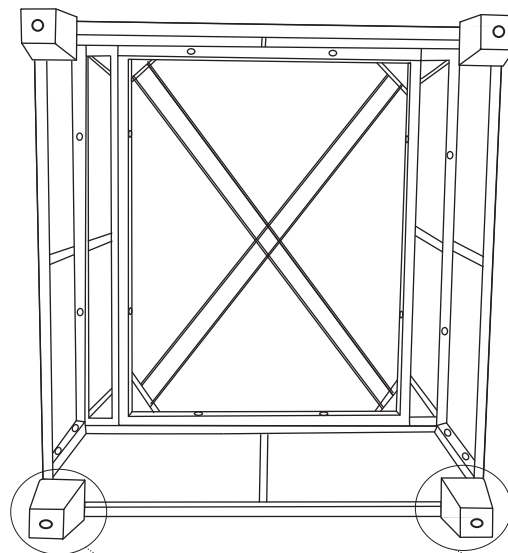
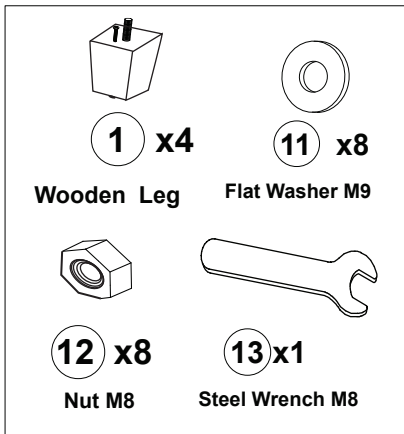
STEP 7



x2

Connect Step 6 & Right Wooden Leg (2) & Left Wooden Leg (3), tighten Nut M6 (8) & flat washer (7) Steel Wrench (10)

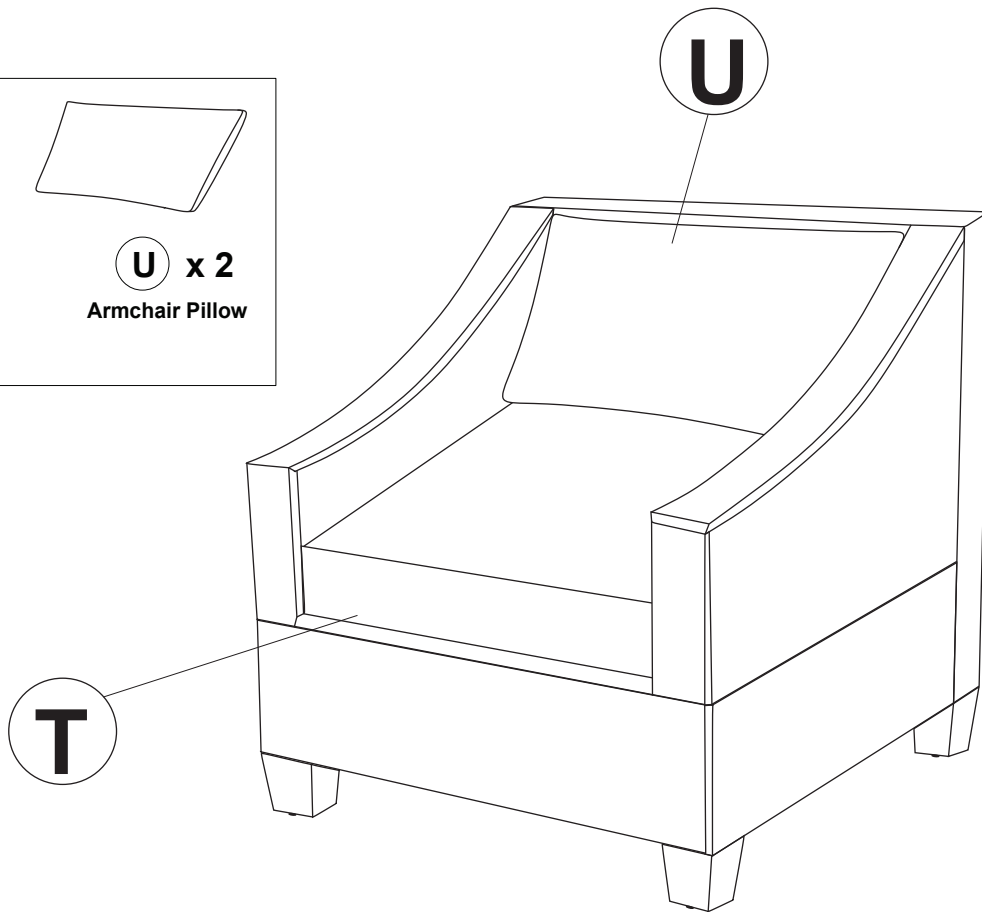
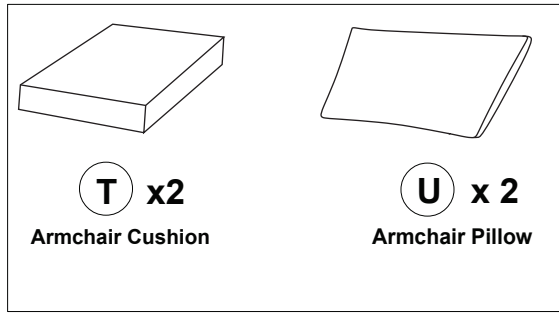
STEP 8



x2

Connect Step 7 & Wooden Leg (1), tighten Nut M8 (12) & flat washer M9 (11) Steel Wrench (13)

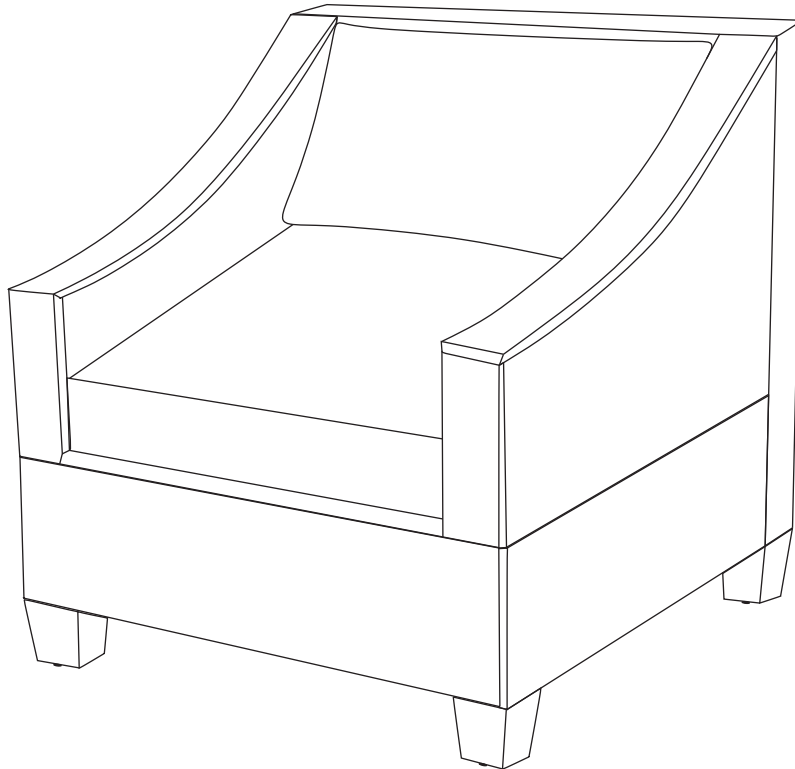
STEP 9



x2

Put Armchair Cushion (T) & Armchair Pillow (U).

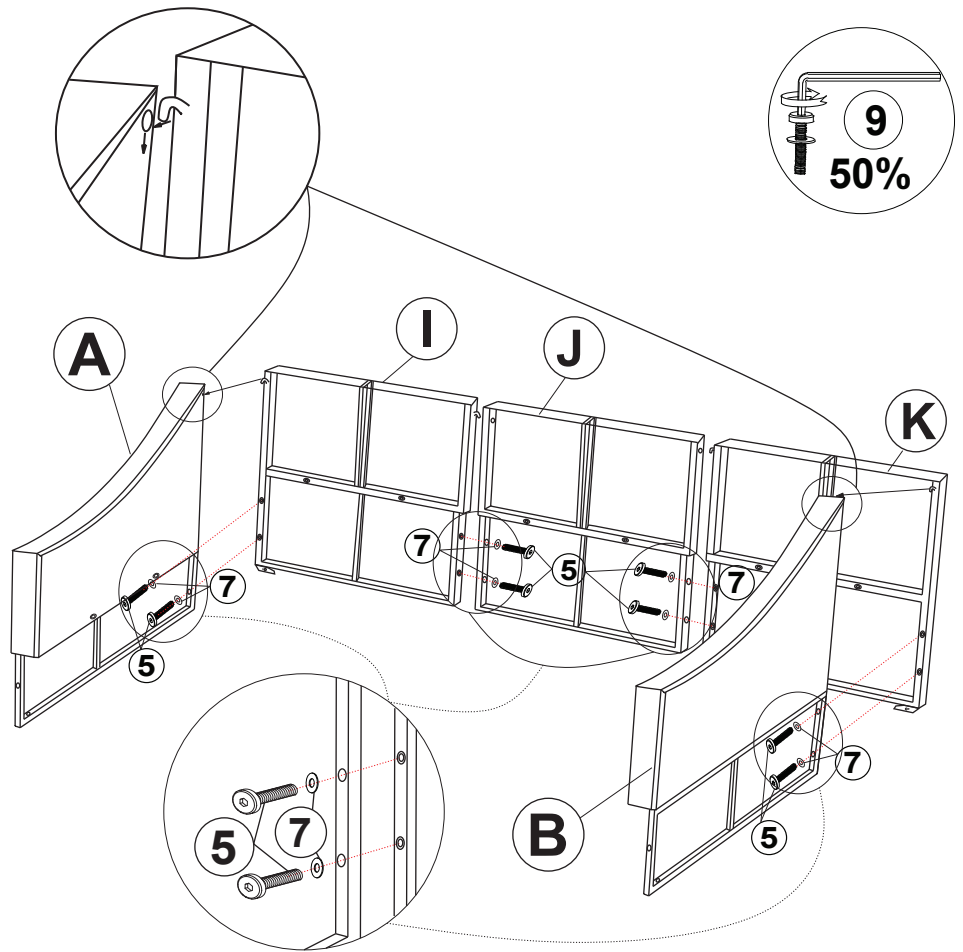
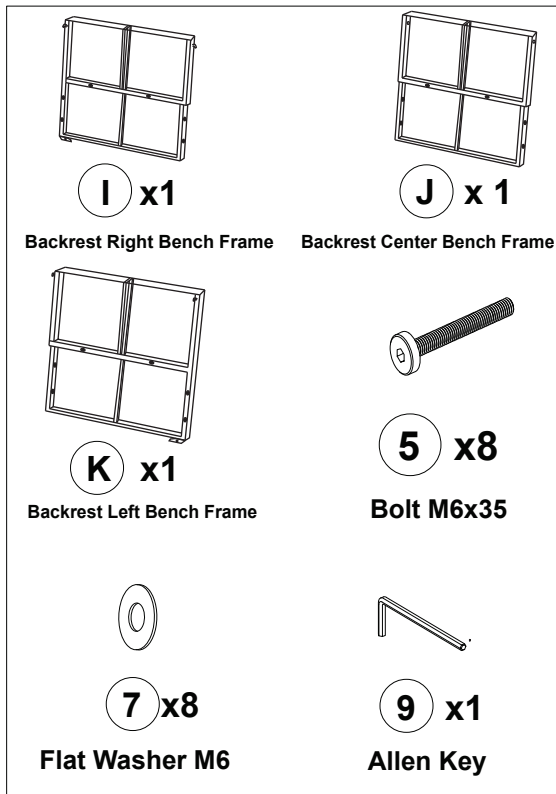
STEP 10



Finish Armchair

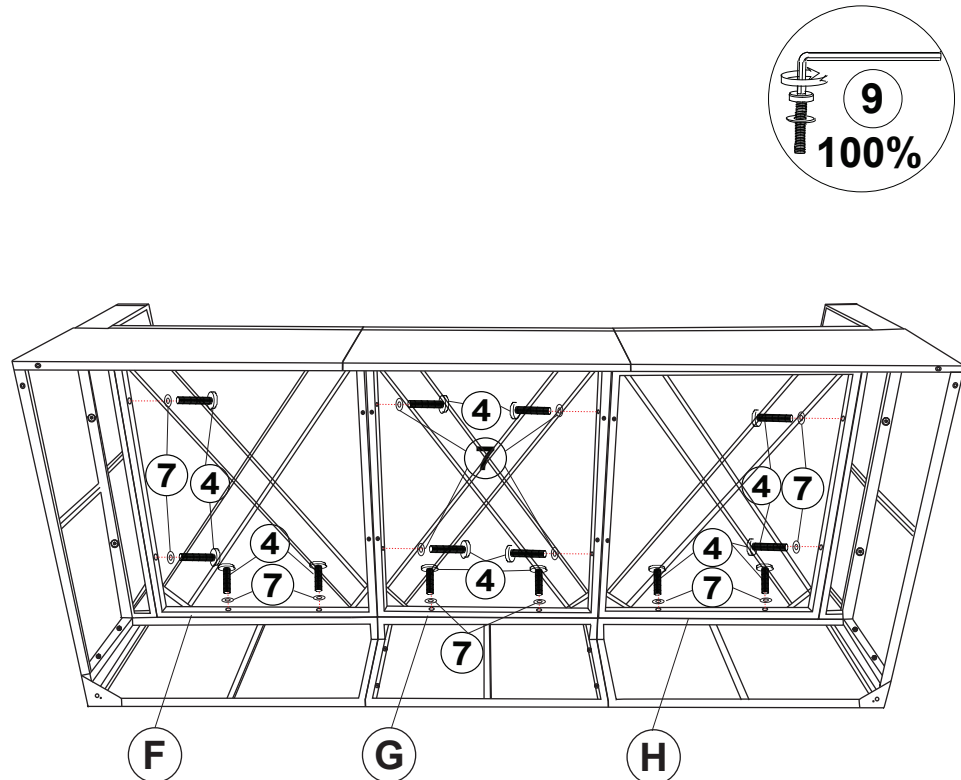
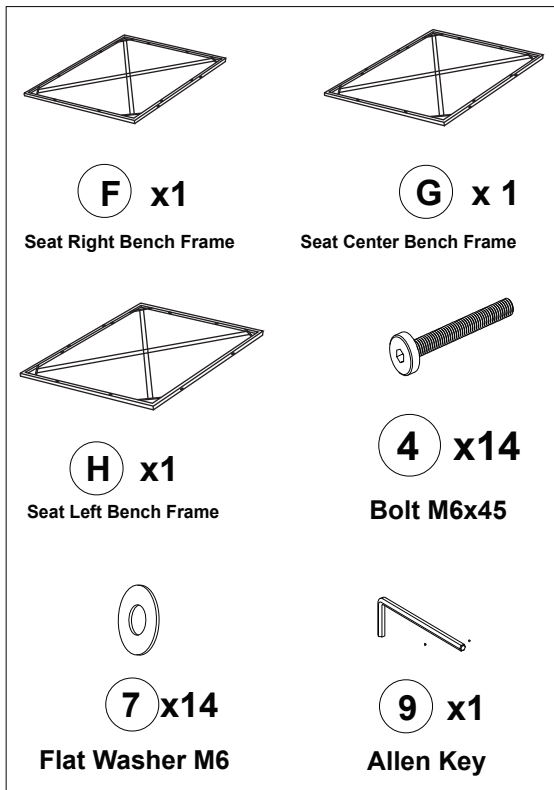
x2

STEP 11



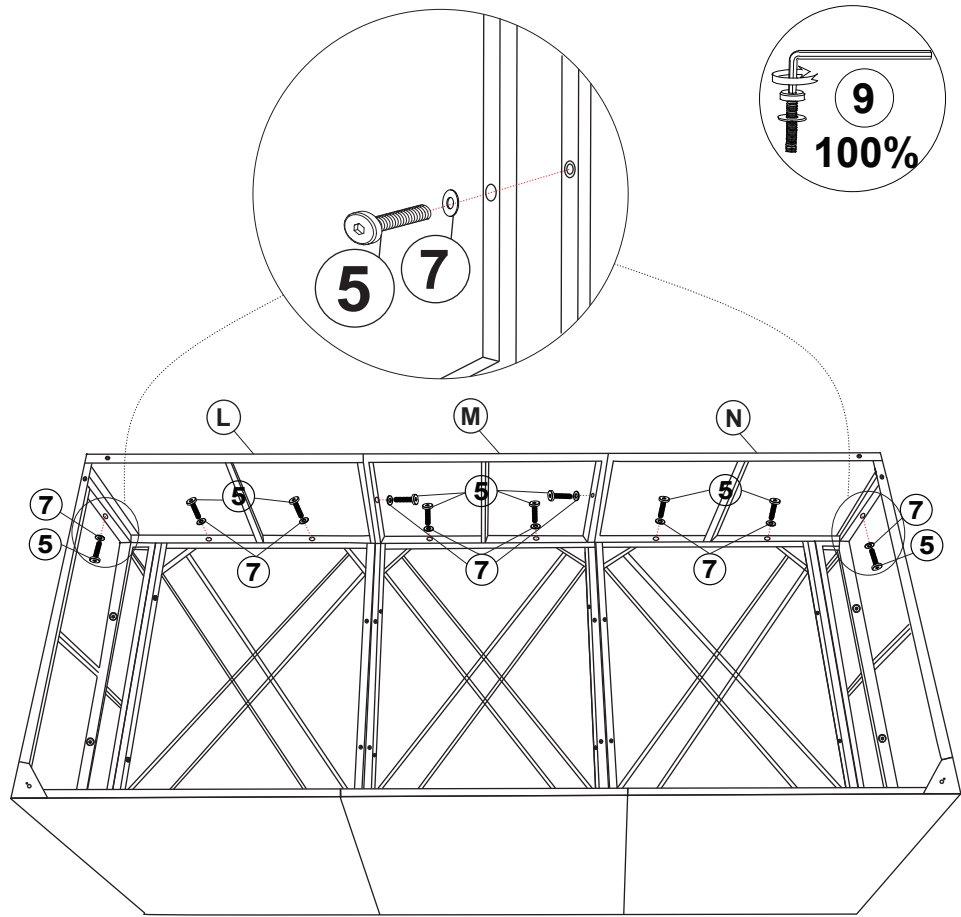
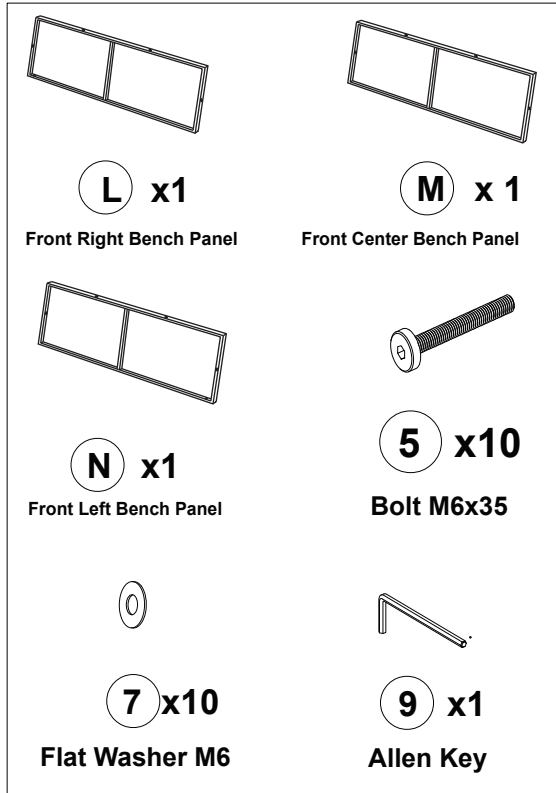
Connect Step 2 & Step 4 & Backrest Right Bench Frame & Backrest Center Bench Frame & Backrest Left Bench Frame, tighten Bolt (5) & flat washer (7) with Allen Key (9)

STEP 12



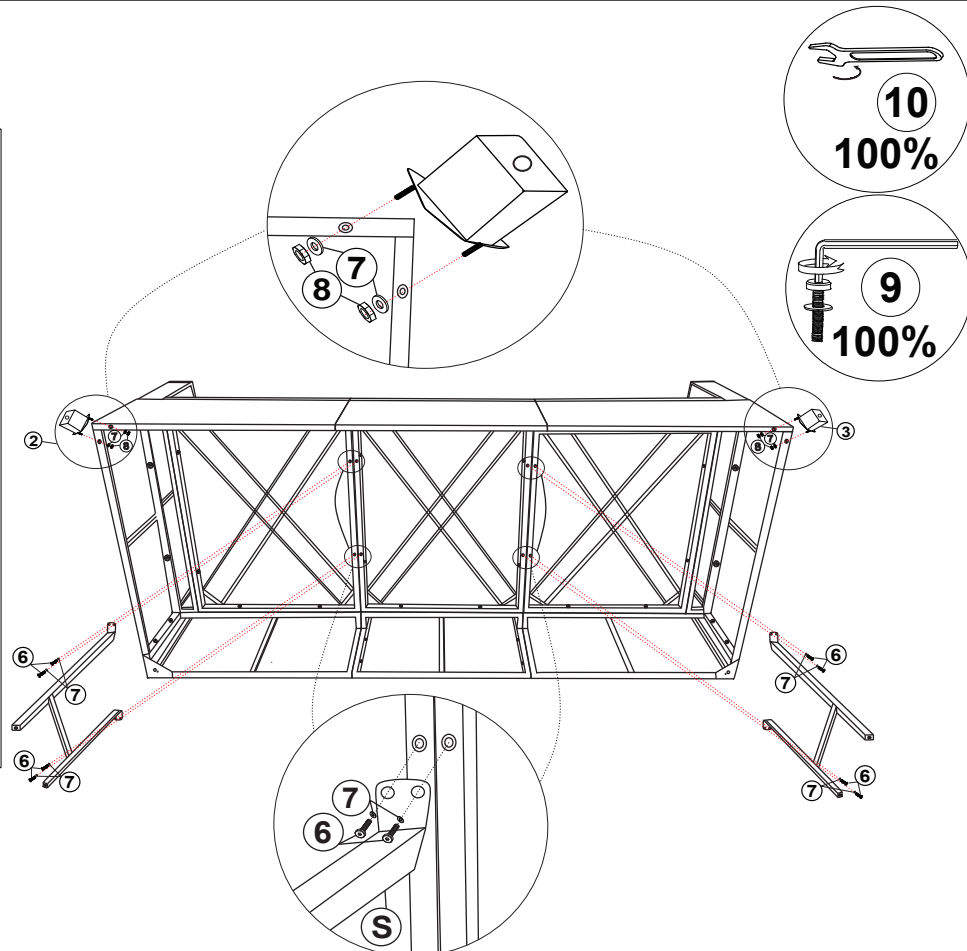
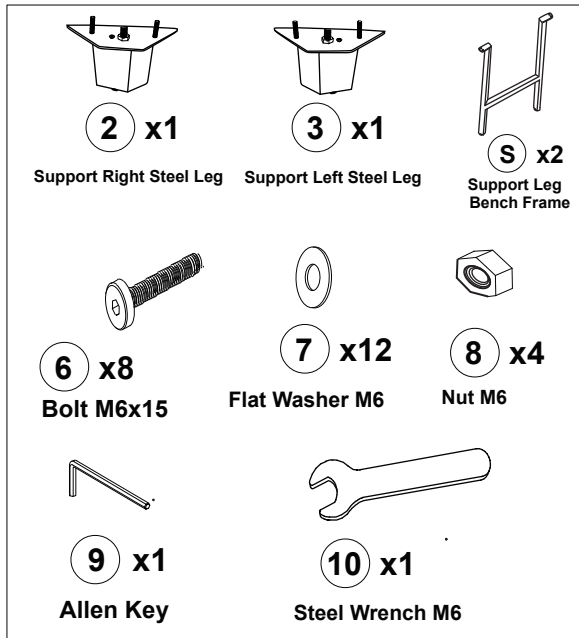
Connect Step 11 & Seat Right Bench Frame (F) & Seat Center Bench Frame (G) & Seat Left Bench Frame, tighten bolt M6x45 (4) & flat washer (7) Allen Key (9)

STEP 13



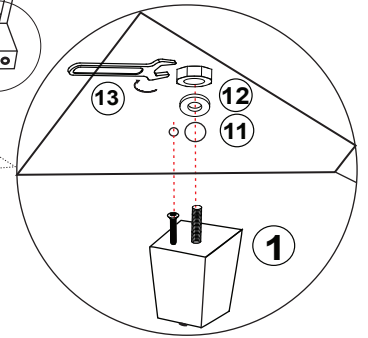
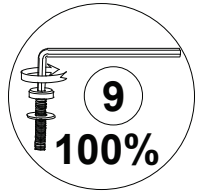
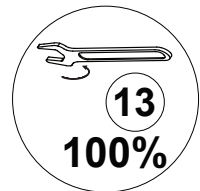
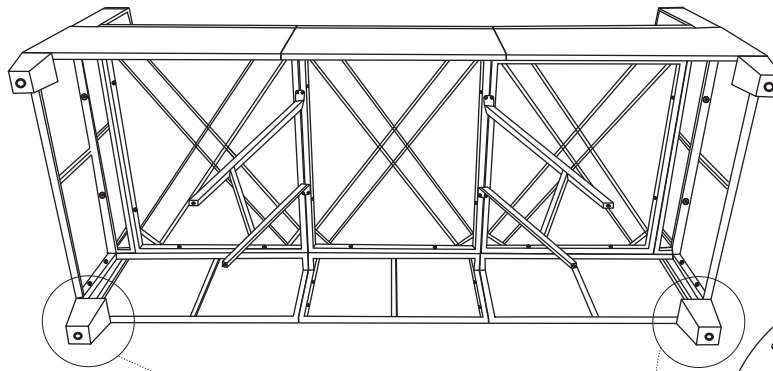
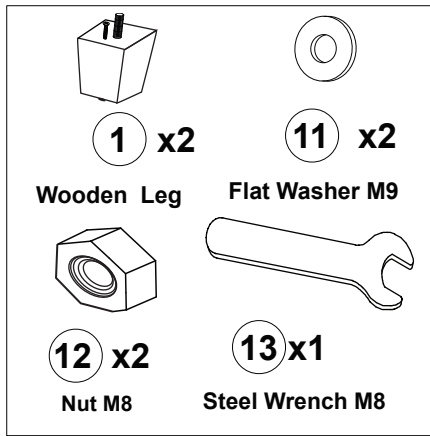
Connect Step 12 & Front Right Bench Panel (L) & Front Center Bench Panel (M) & Front Left Bench Panel (N), tighten Bolt (5) & flat washer (7) with Allen Key (9)

STEP 14



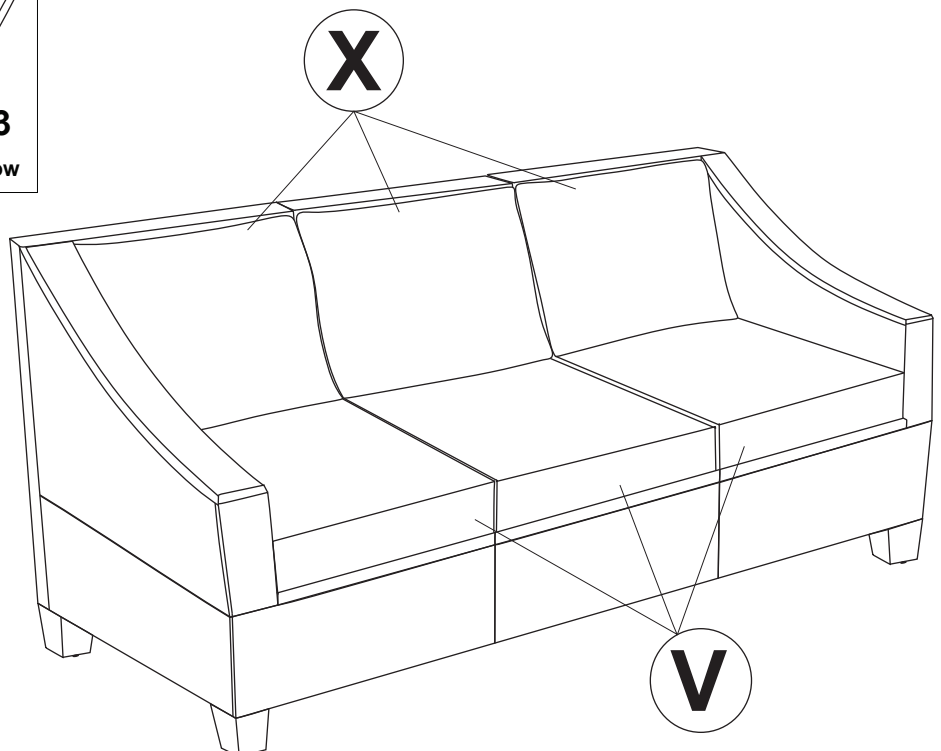
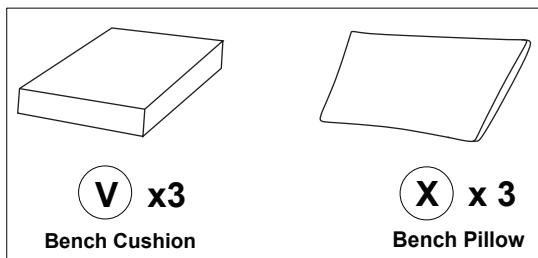
Connect Step 13 & Right Wooden Leg (2) & Left Wooden Leg (3) & Support Leg Bench Frame (S) tighten Bolt (6) & flat washer (7) & Nut M6 (8) with Steel Wrench (10) & Allen Key (9)

STEP 15



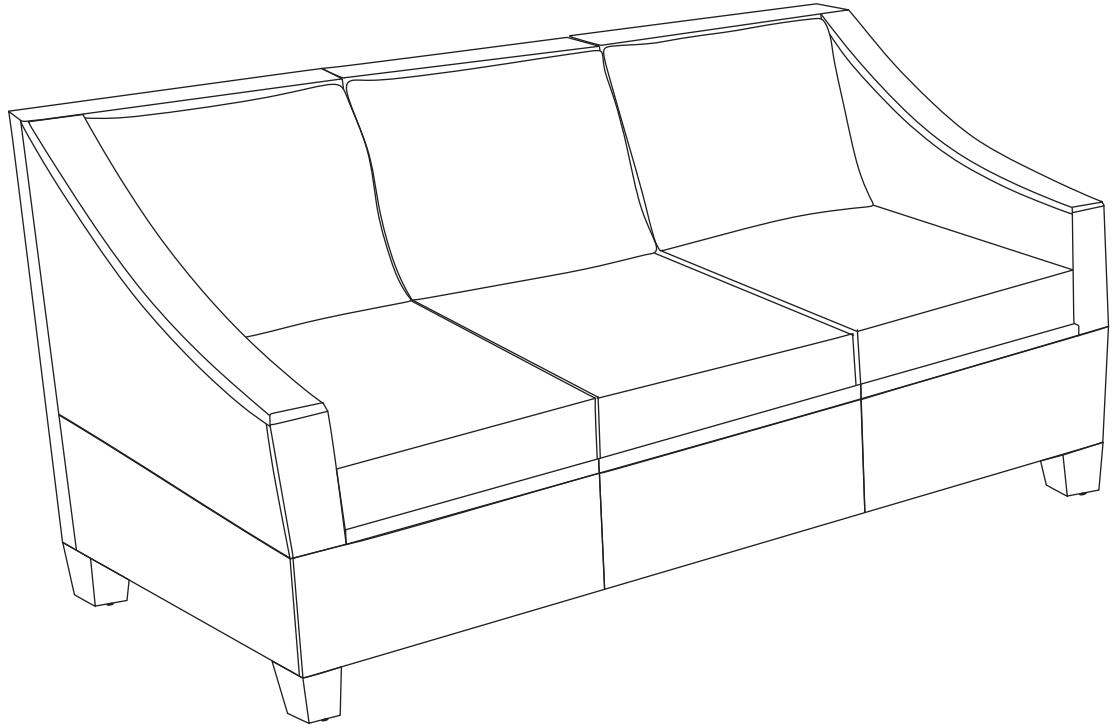
Connect Step 14 & Wooden Leg (1) , tighten Nut M9 (12) & flat washer (11) Steel Wrench (13)

STEP 16



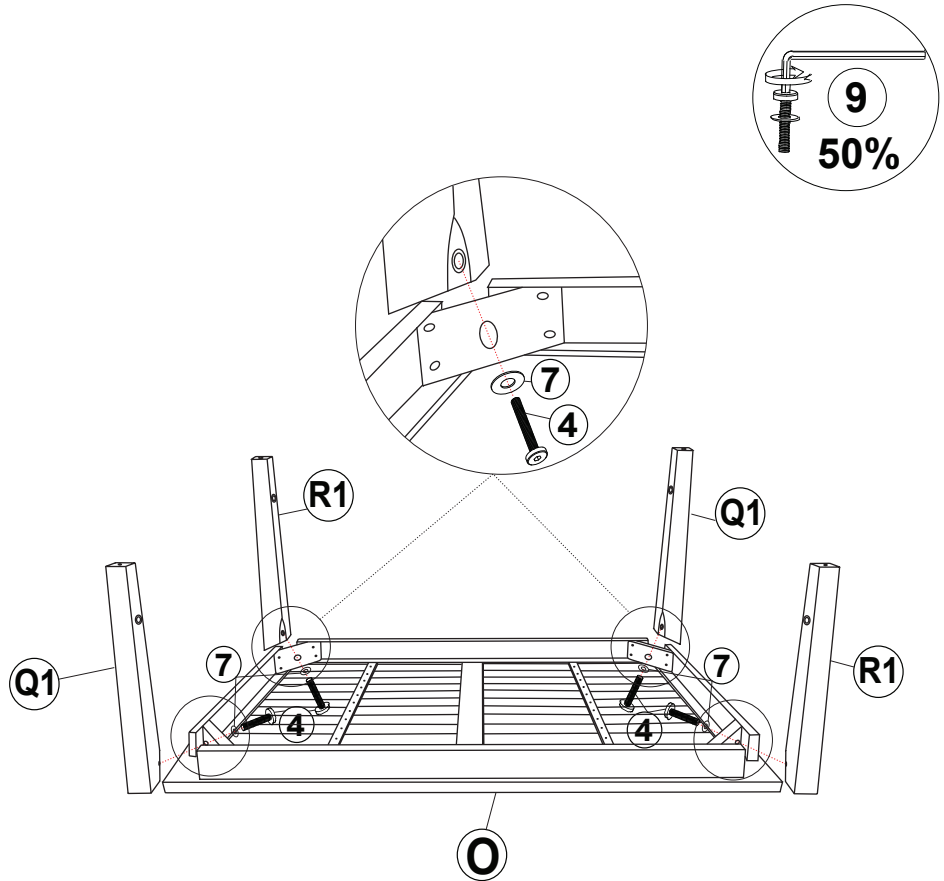
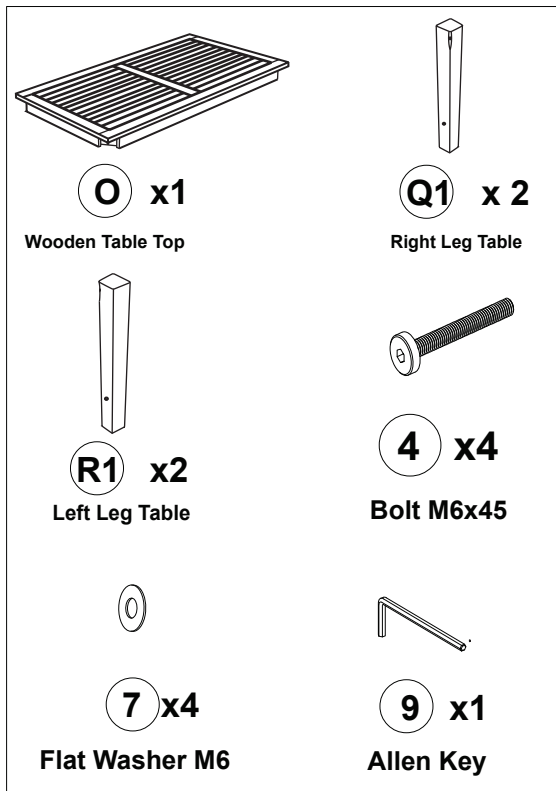
Put Bench Cushion (V) & Bench Pillow (X).

STEP 17



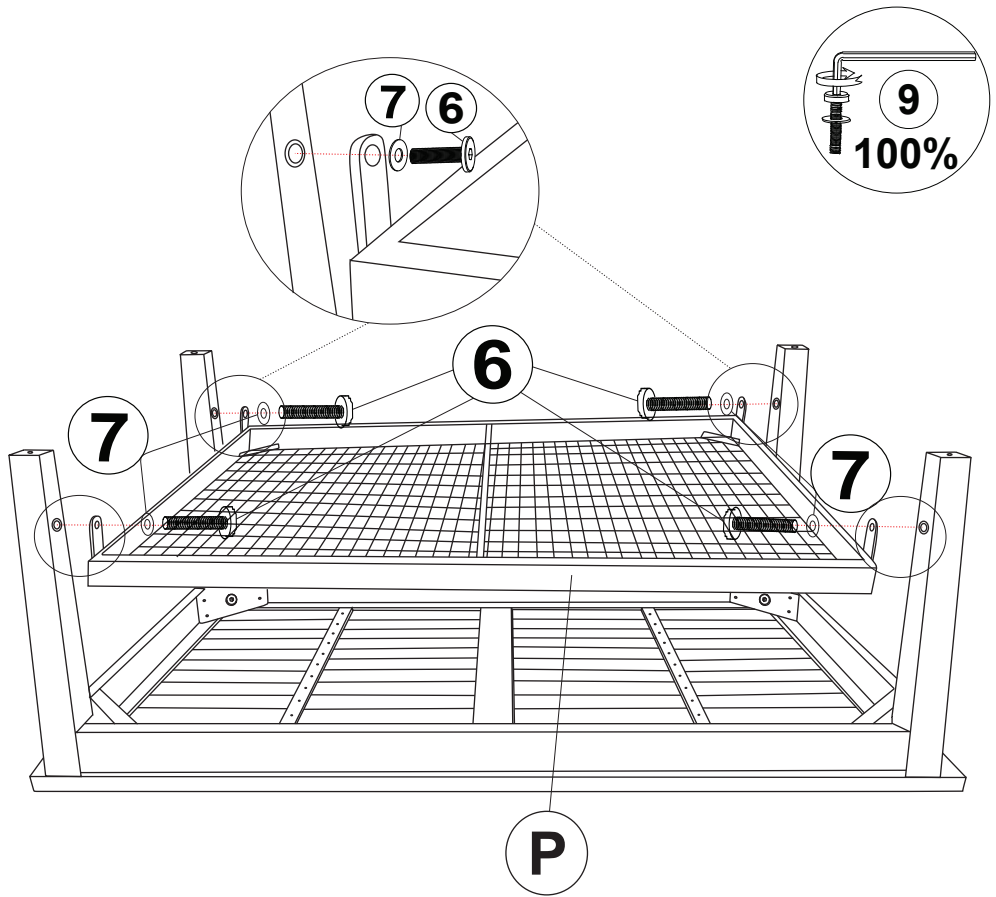
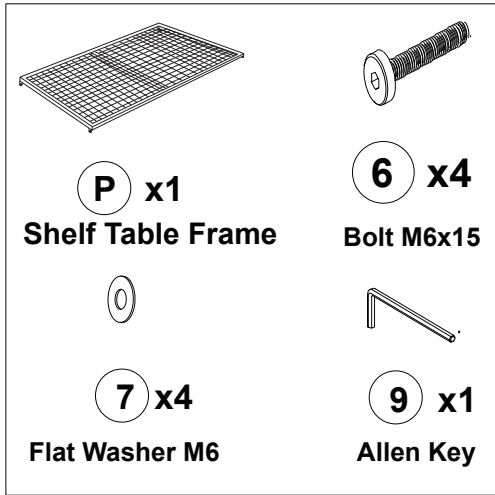
Finish Sofa

STEP 18



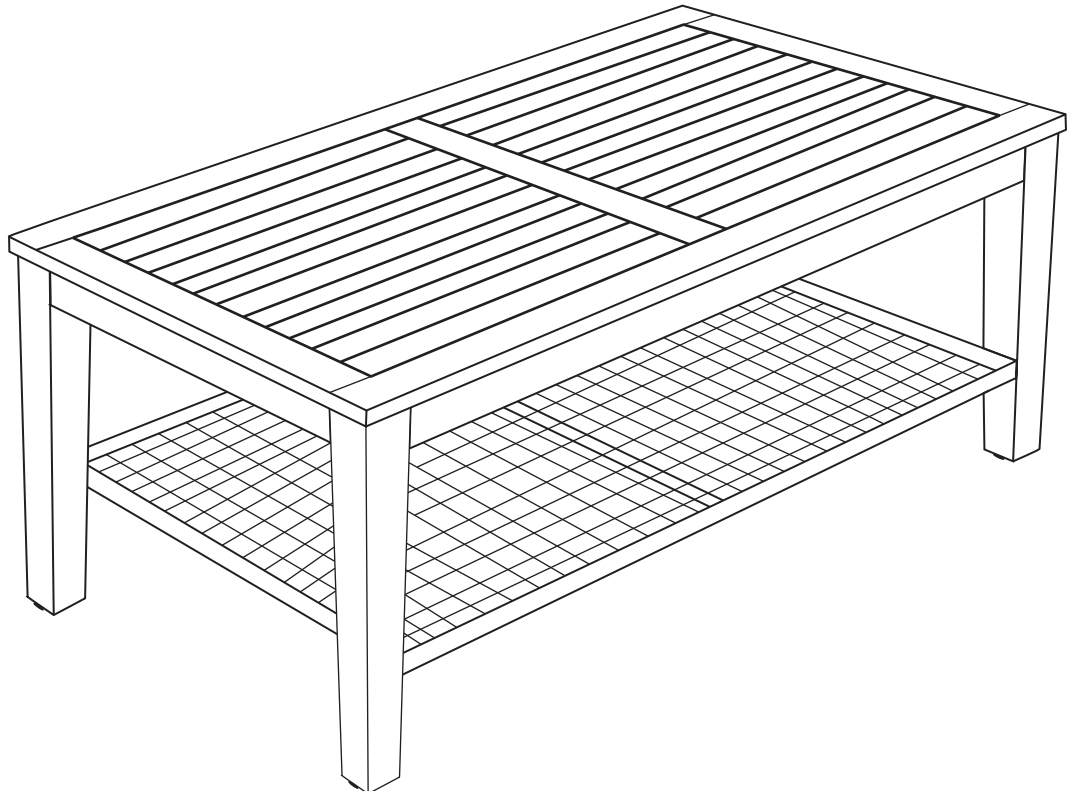
Connect Wooden Table Top (O) & Right Leg Table (Q1) & Left Leg Table (R1), tighten Bolt (4), flat washer M6 (7) with Allen Key (9)

STEP 19



Connect Step 18 & Shelf Table Frame (P), tighten Bolt M6x15 (6), flat washer (7) with Allen key (9)

STEP 20



Finish Table

STEP 21

