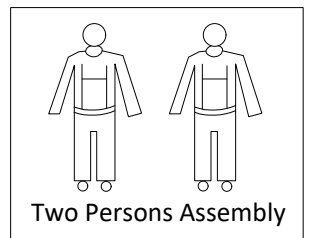
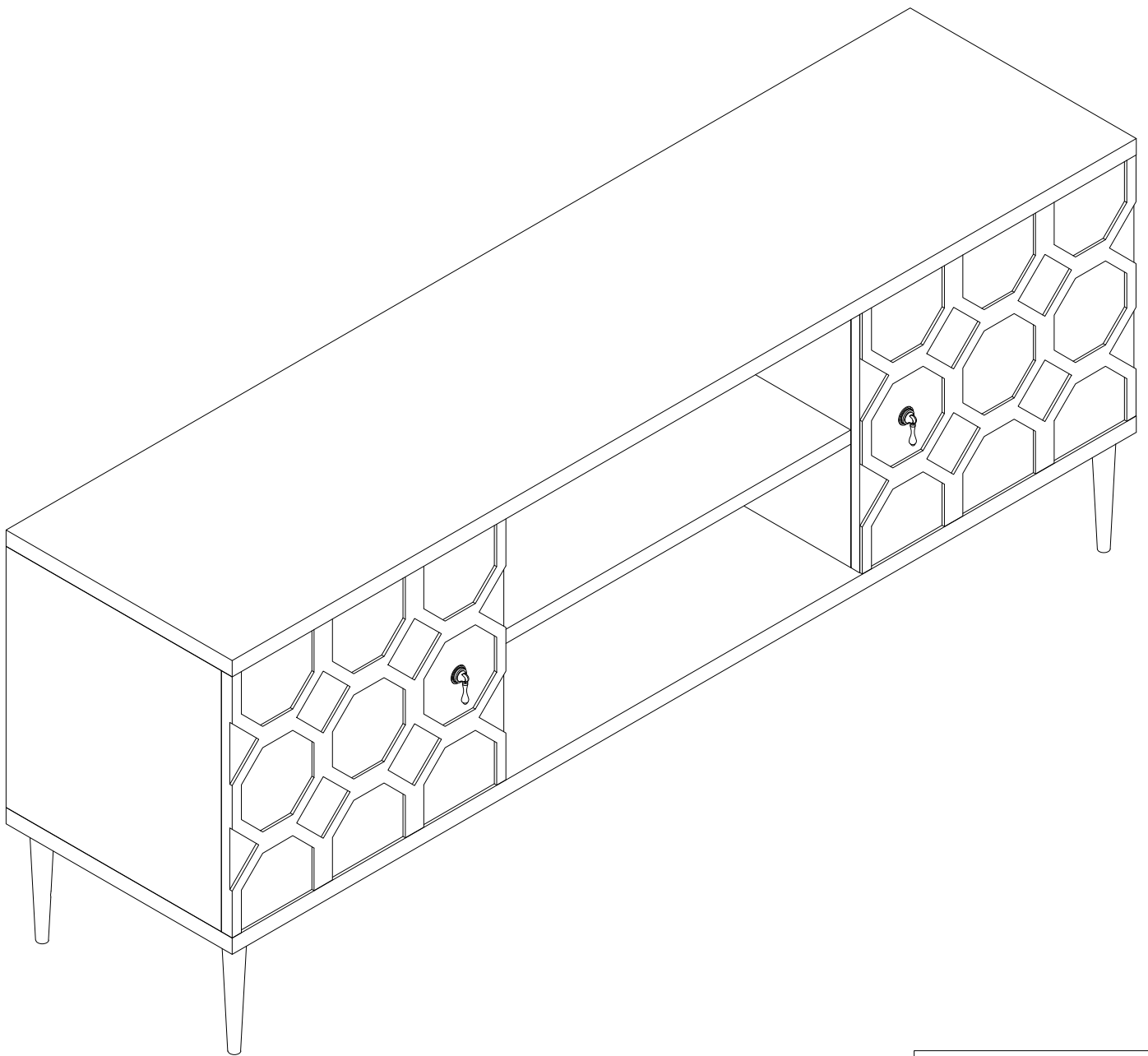
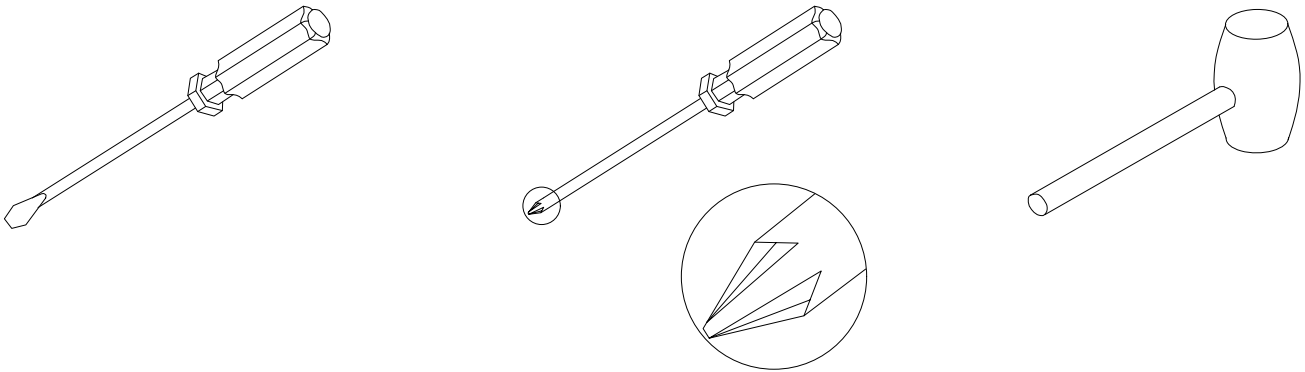


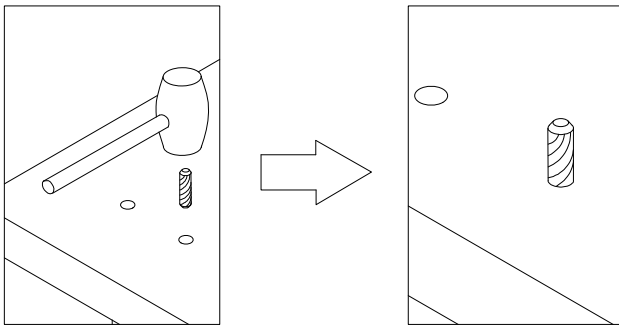
# ASSEMBLY INSTRUCTIONS



# ASSEMBLY TOOLS REQUIRED (NOT INCLUDED)



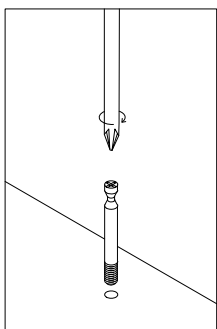
## Wooden Dowel Installation



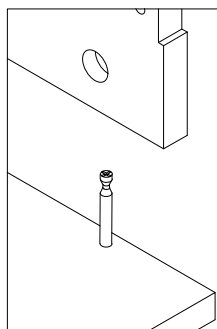
Gently tap dowel into hole with rubber mallet.

- \* Before discarding packing materials, please check all parts and hardware are presented.
- \* Please follow the instructions closely.
- \* After few days of initial assembly, the product may has acclimated to new environment, please tighten all hardware again.

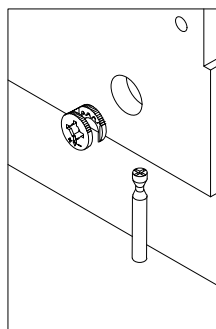
## Hidden Connector..... Assembly Techniques



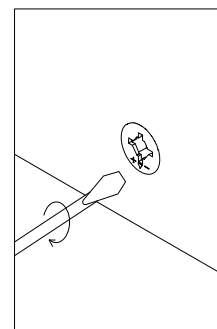
STEP (1)



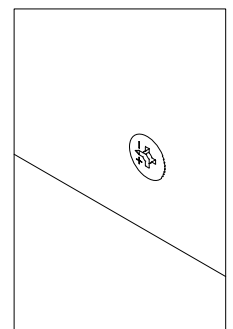
STEP (2)



STEP (3)

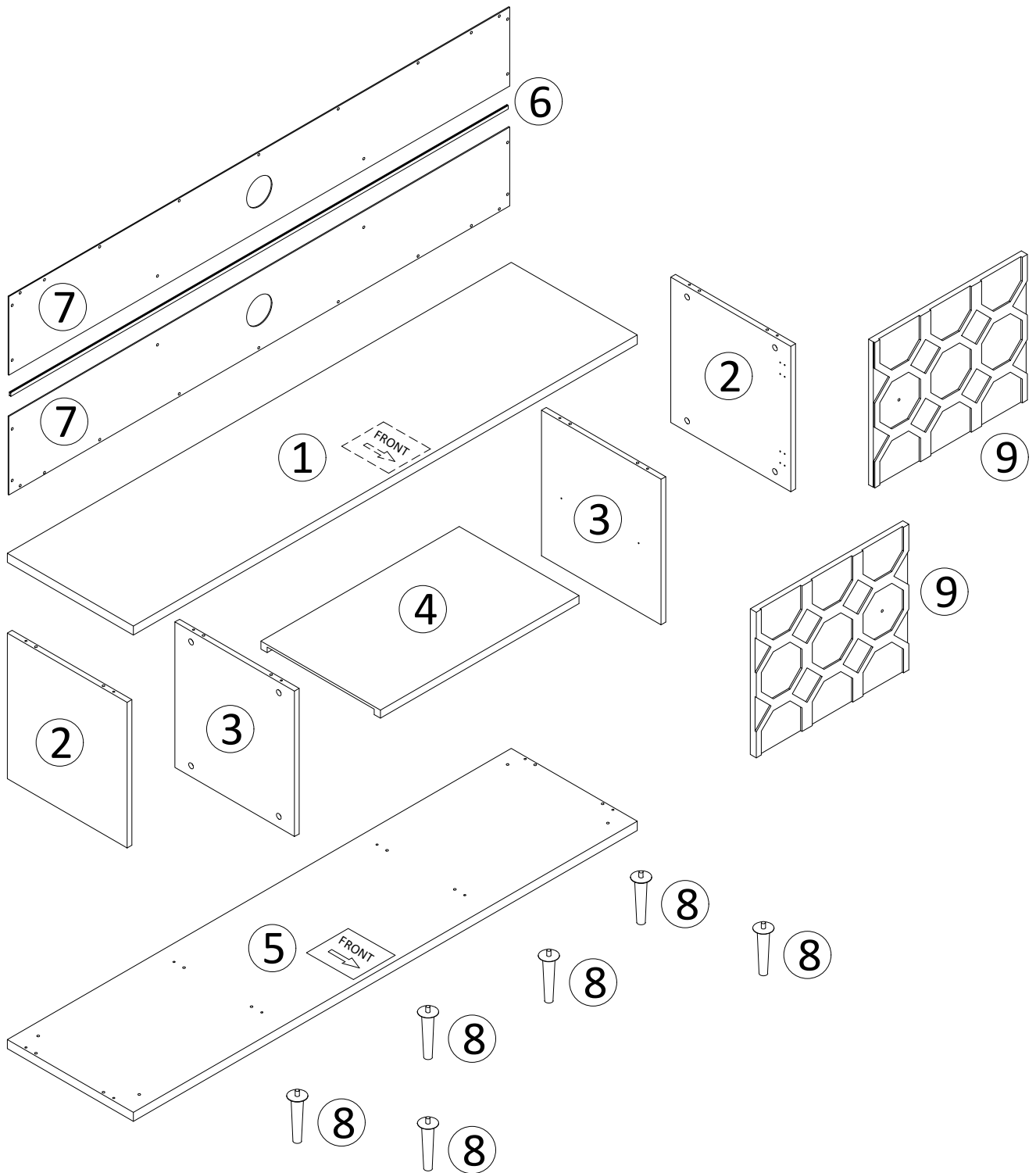


STEP (4)

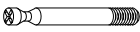



STEP (5)

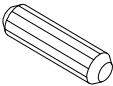
Laying out all the parts and hardware and identifying each part as shown below. It may help you when you assemble the item.




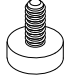
① ×1	② ×2	③ ×2	④ ×1	⑤ ×1	⑥ ×1
⑦ ×2	⑧ ×6	⑨ ×2			


A	×16+1(Spare)
	
φ6×27mm	

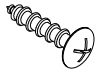
B	×16+2(Spare)
	
φ15×9.5mm	


C	×16+1(Spare)
	
φ6×30mm	

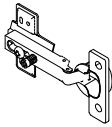
D	×2
	
M4×16mm	


E	×6
	
M6×15L-φ16×7T	


F	×4
	
5×8/5×8mm	


G	×30+2(Spare)
	
FA3×12mm	

H	×6
	
φ21 Sticker	

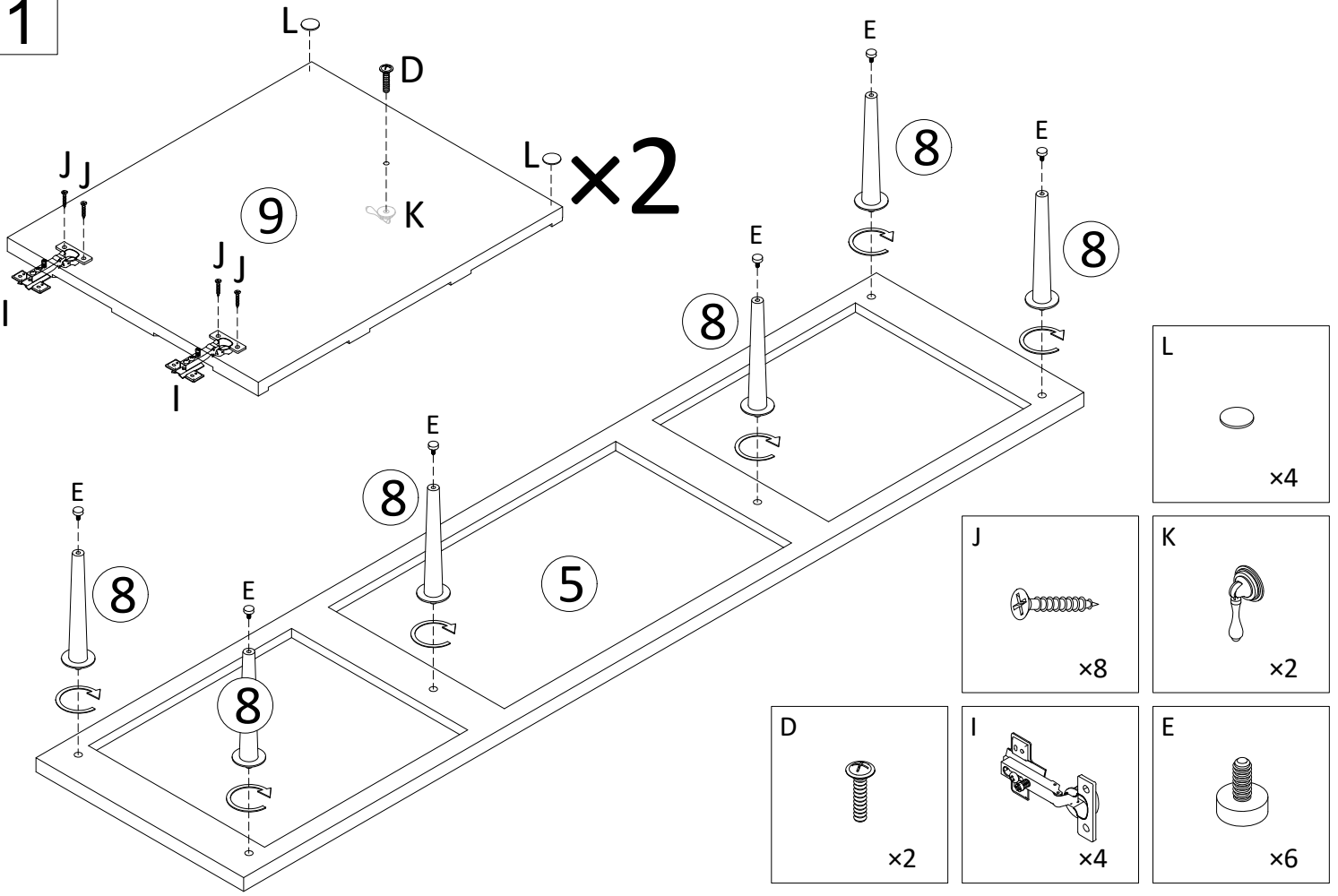
I	×4
	
φ26mm	

J	×24+2(Spare)
	
FA3.5×12mm	

K	×2
	
EVA/φ8×2mm	

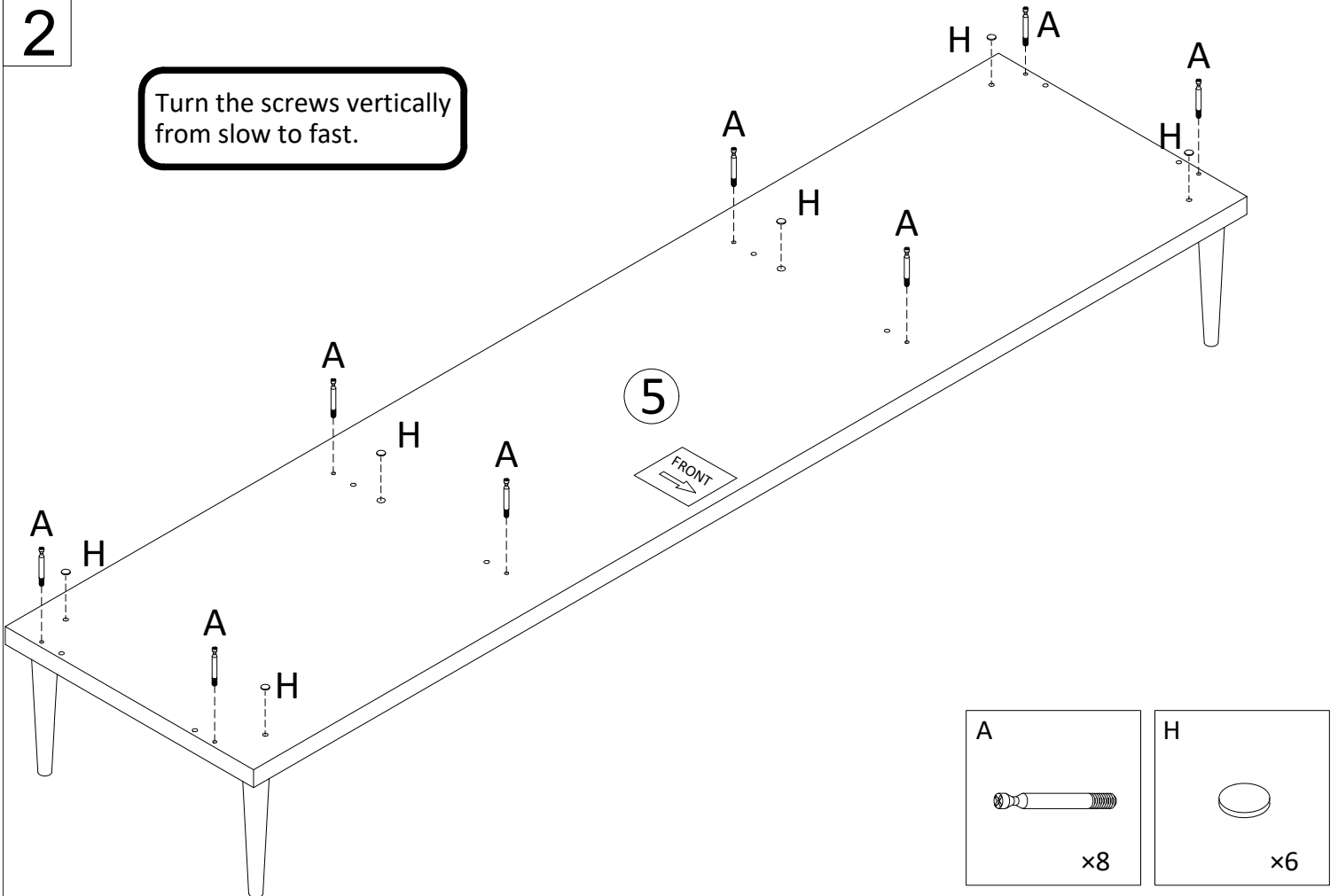
L	×4
	
EVA/φ8×2mm	

1



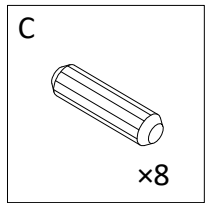
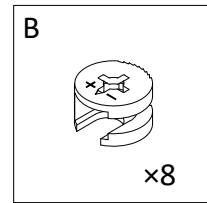
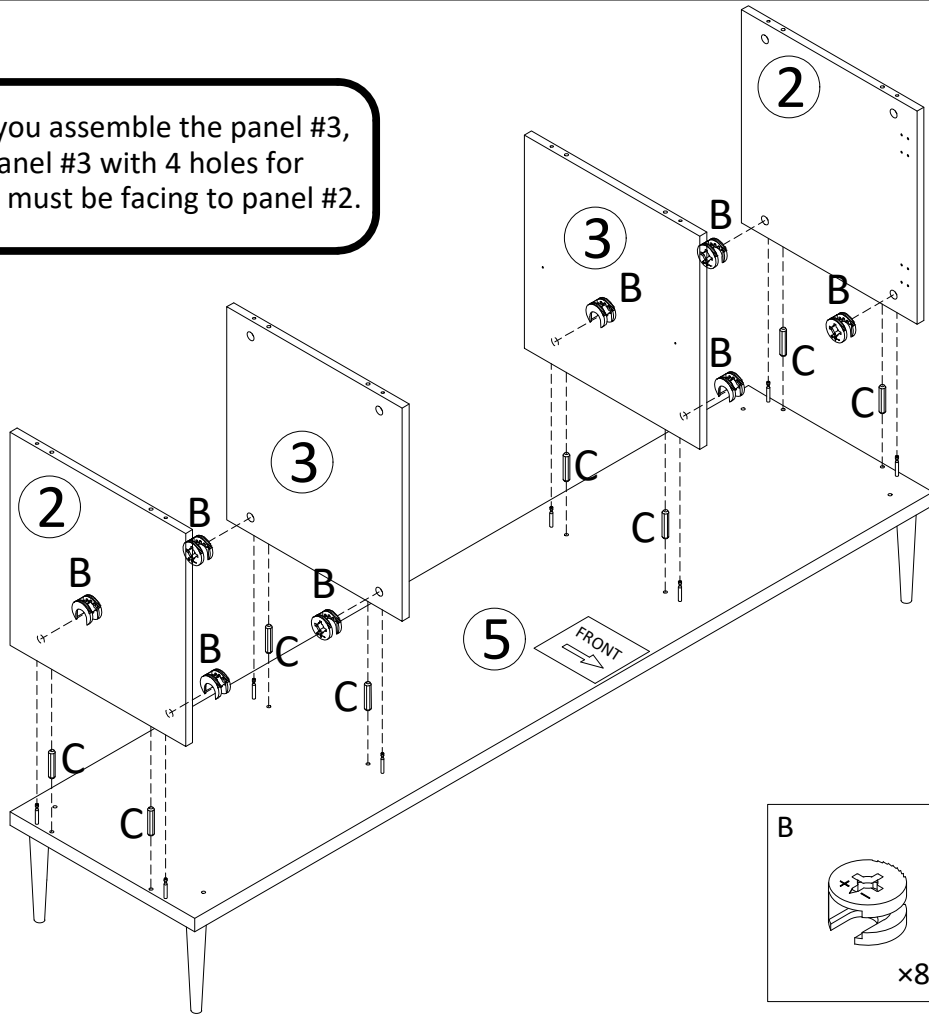
2

Turn the screws vertically from slow to fast.



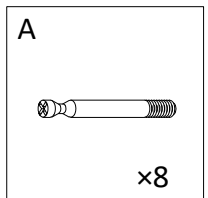
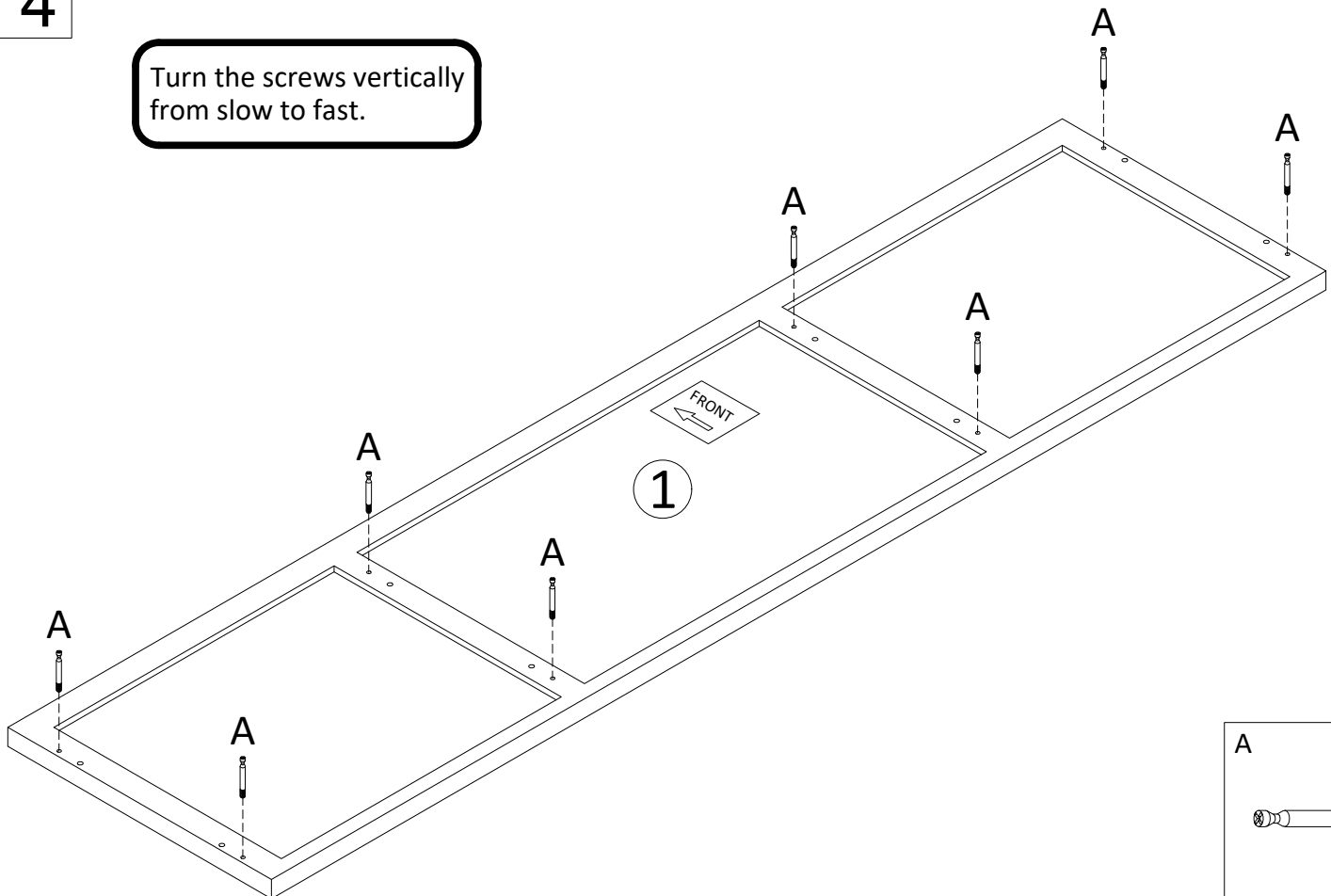
3

Note: when you assemble the panel #3, the side of panel #3 with 4 holes for hardware #B must be facing to panel #2.

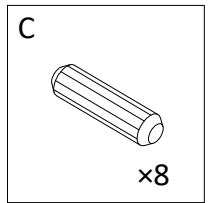
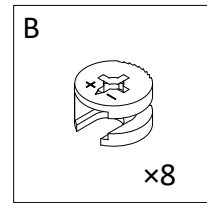
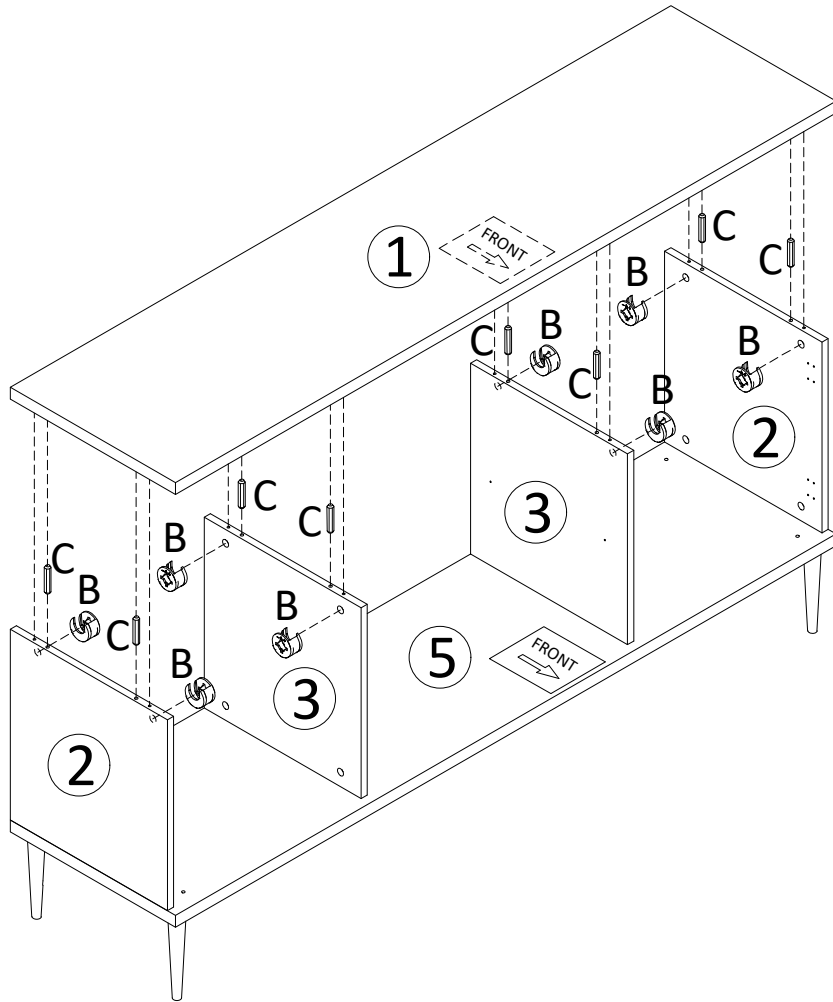


4

Turn the screws vertically from slow to fast.

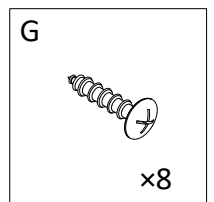
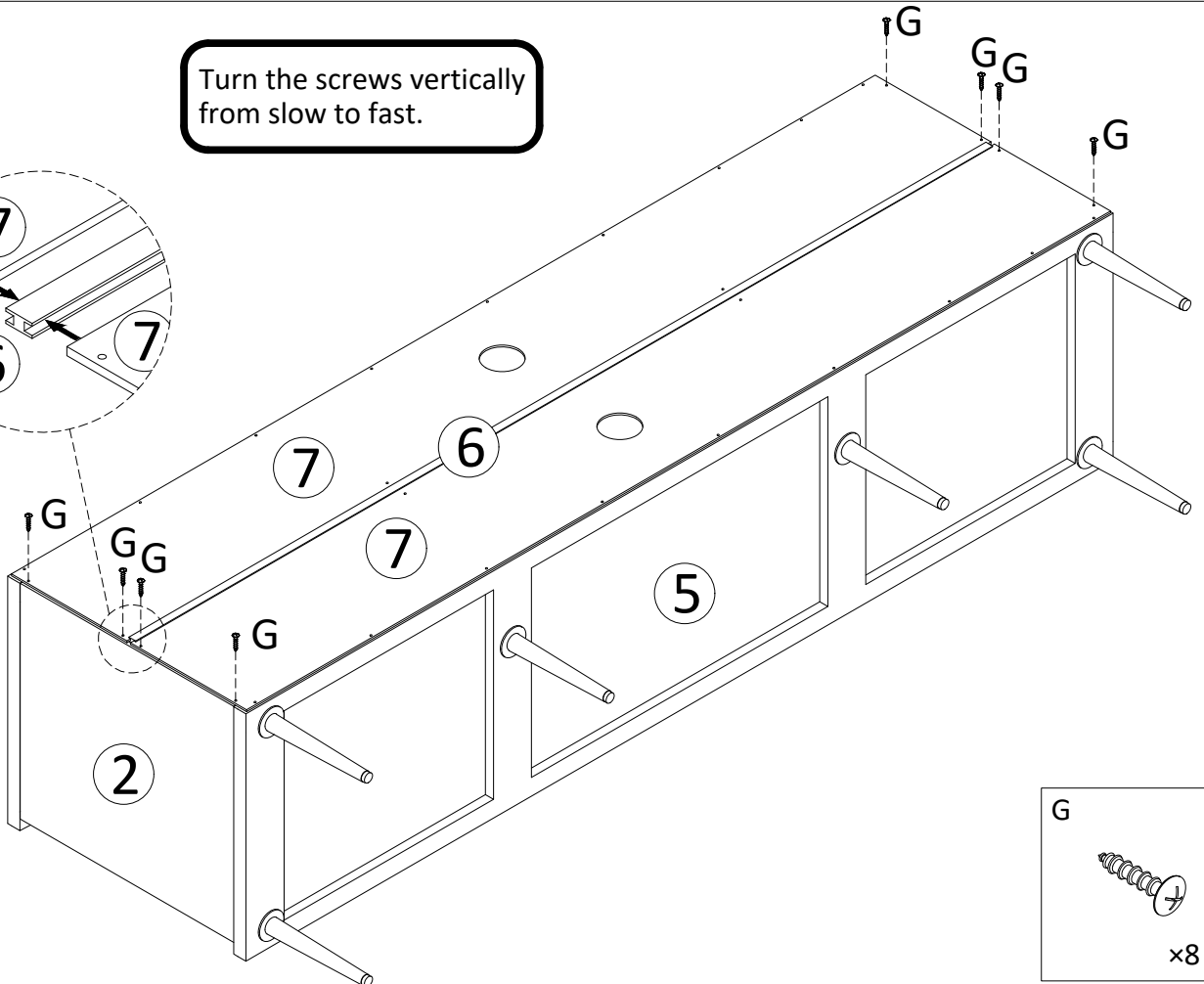
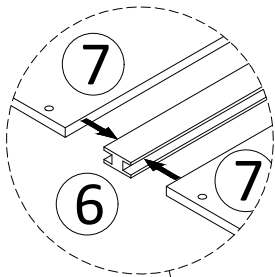


5



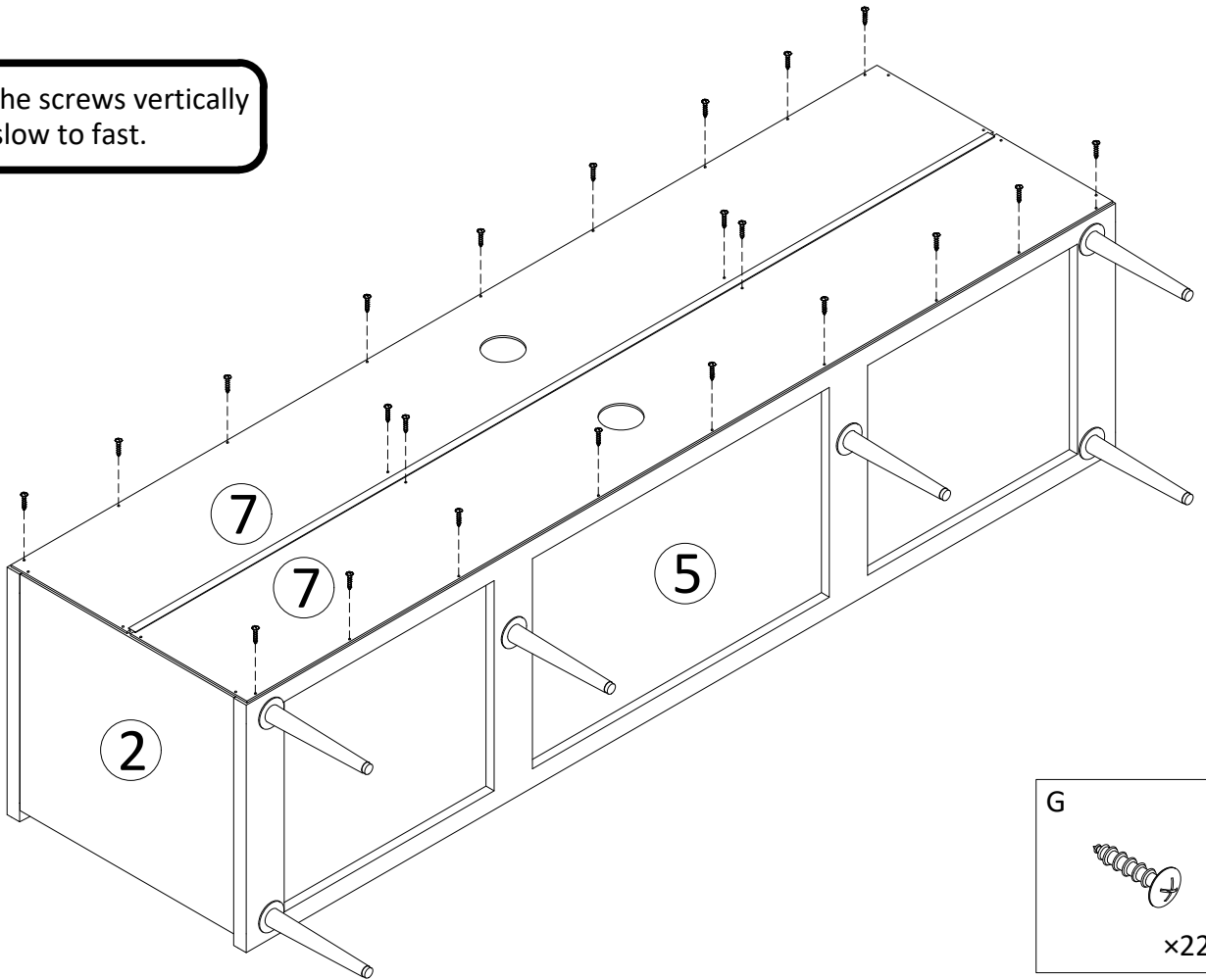
6

Turn the screws vertically from slow to fast.

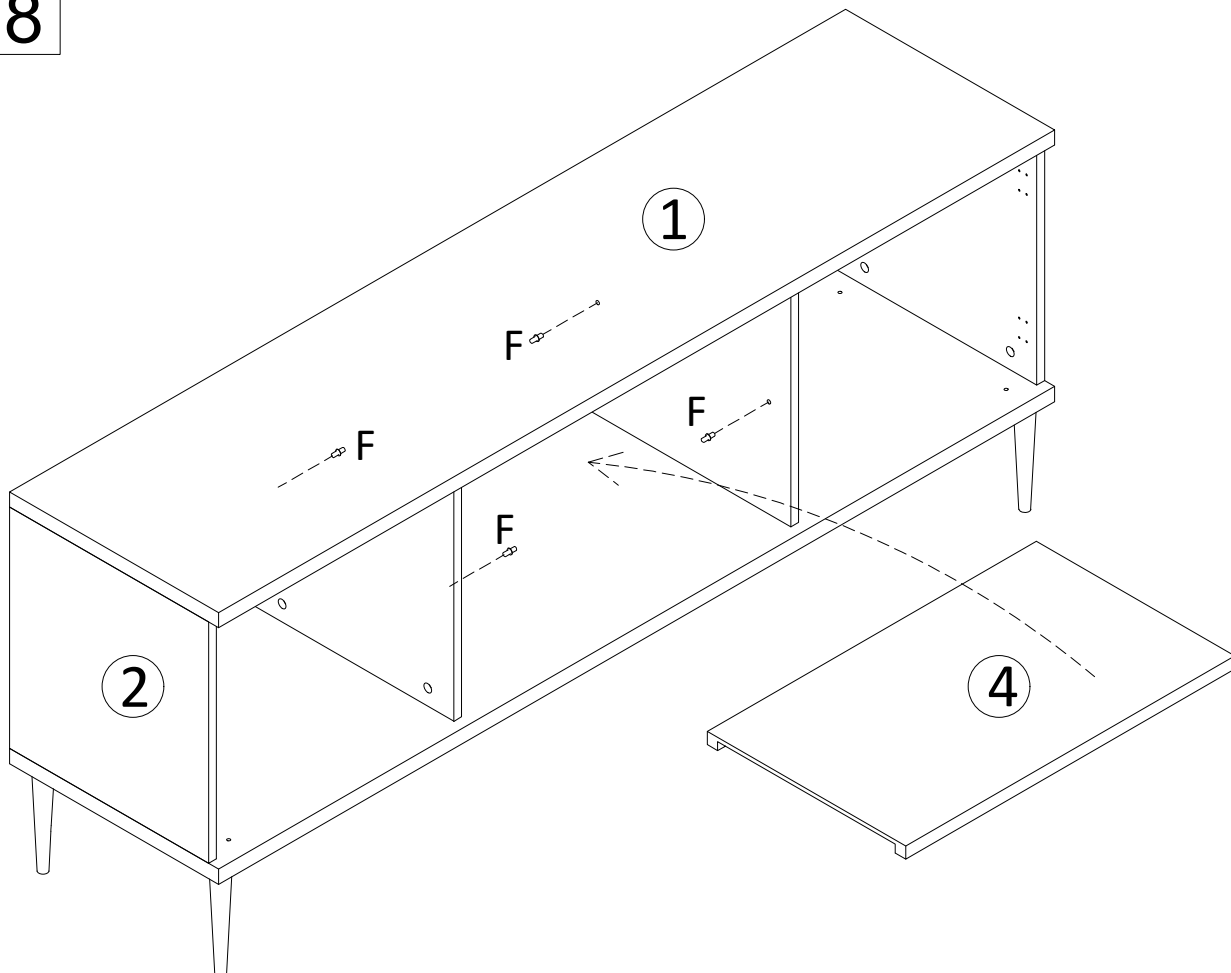


7

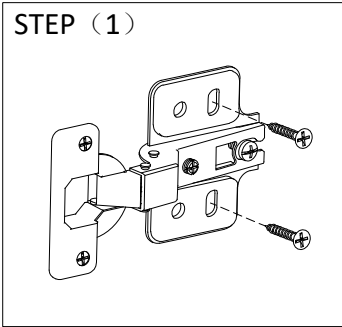
Turn the screws vertically  
from slow to fast.



8

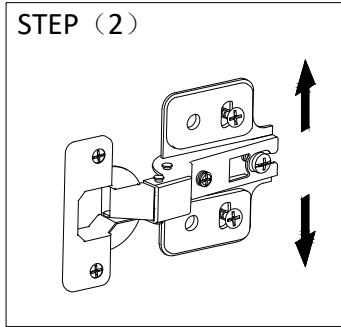


STEP (1)



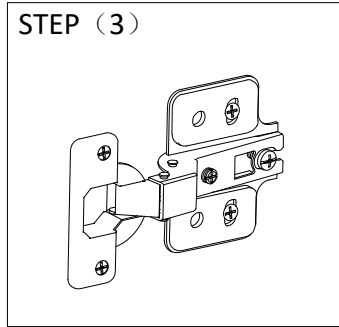
**Tips:** Turning the screw to approx 50% tightness, don't be fully tight.

STEP (2)



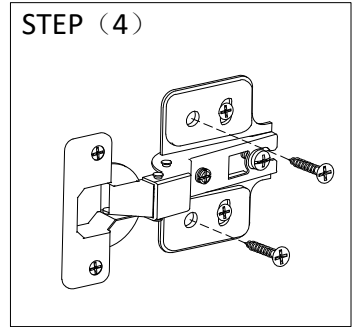
**Tips:** Moving the hinges up or down appropriately to adjust the gap between the door and cabinet top and bottom.

STEP (3)

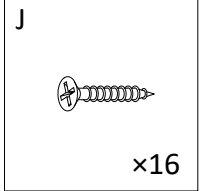
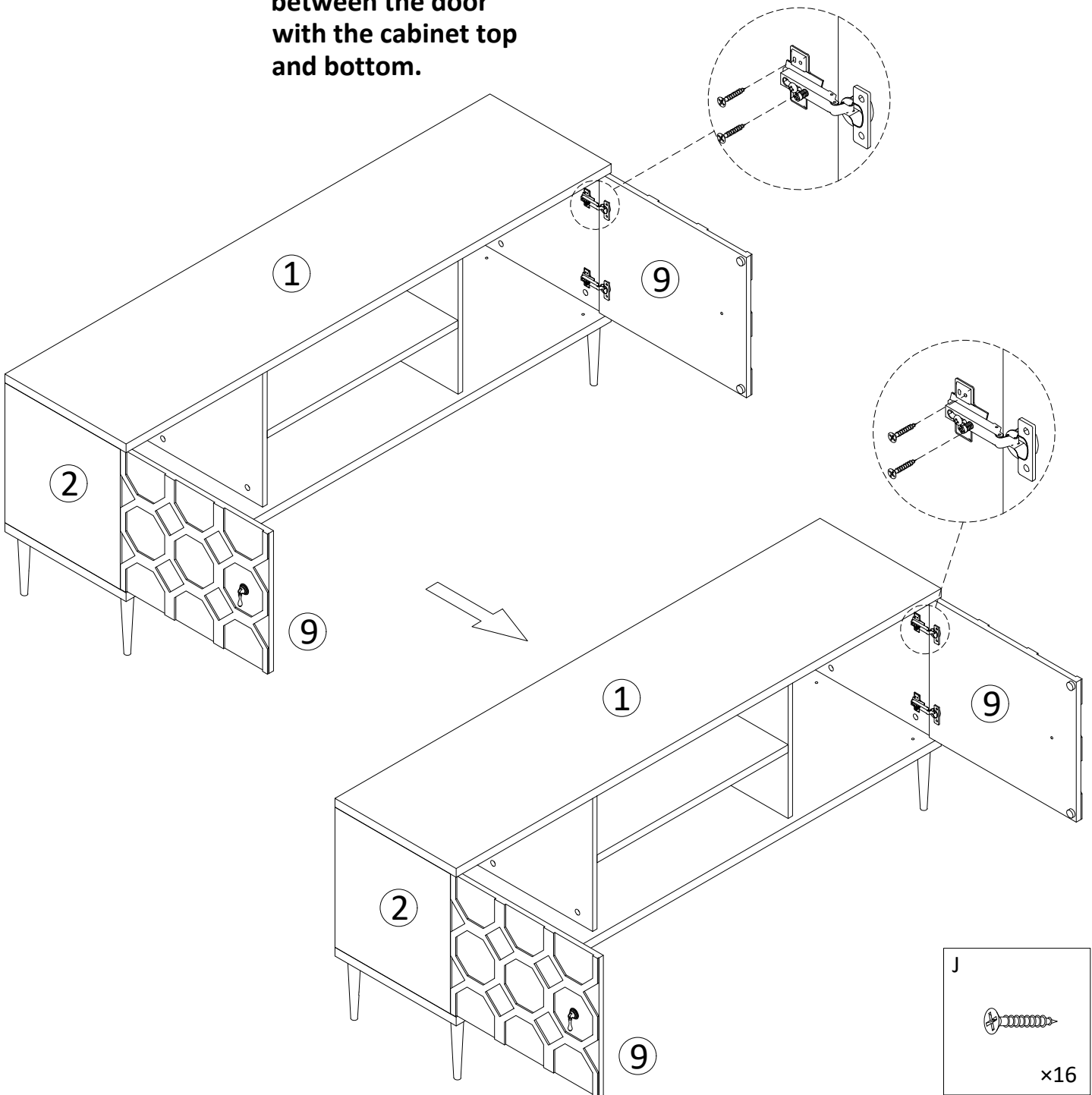


**Tips:** Tightening the screws completely.

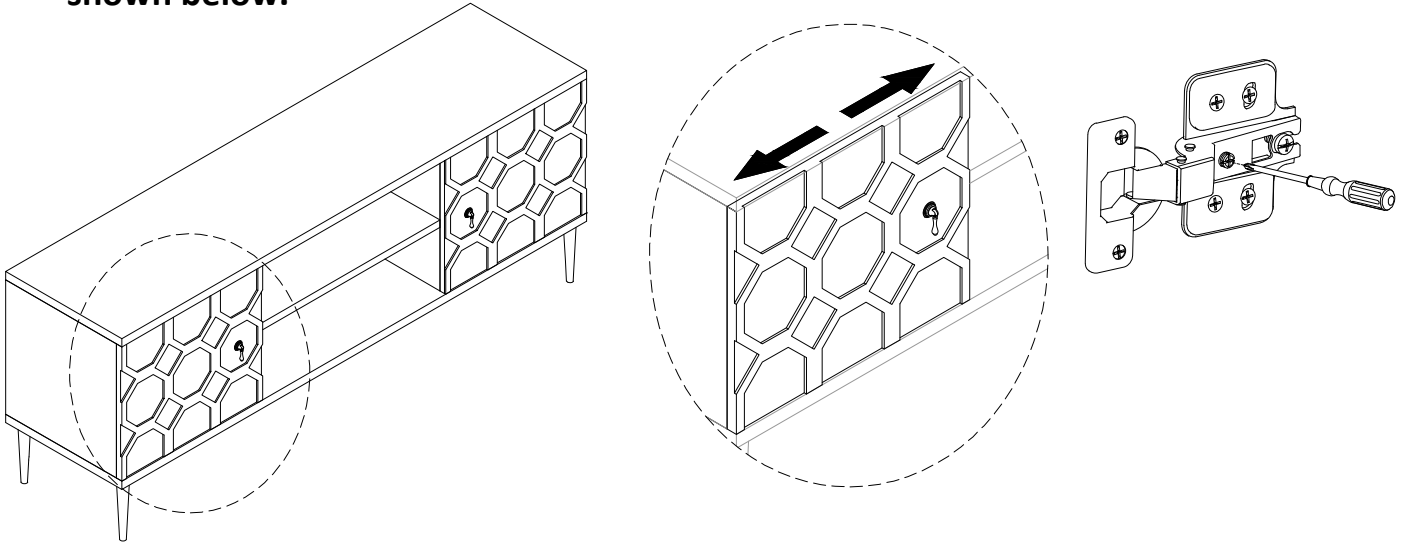
STEP (4)



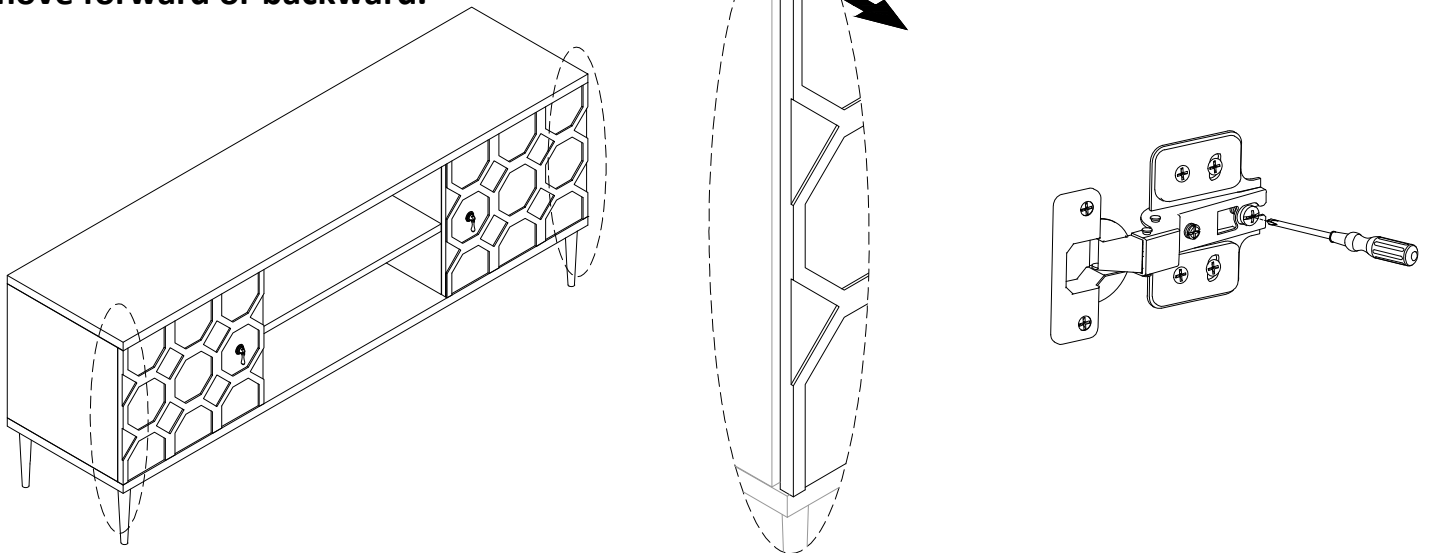
**Tips:** Tightening the other screws completely.



**10** Tips: If the gap between two doors is too far or close, please turning the screw as shown below.



Tips: Adjusting the screw as shown in the following picture can make the door move forward or backward.



Tips: Adjusting the levelers appropriately underneath the bottom of the foot can make the gaps between the door and frames of cabinet even.

