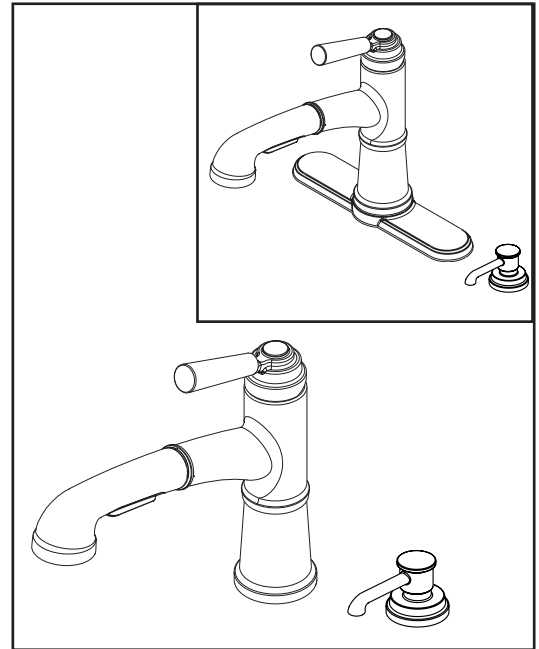
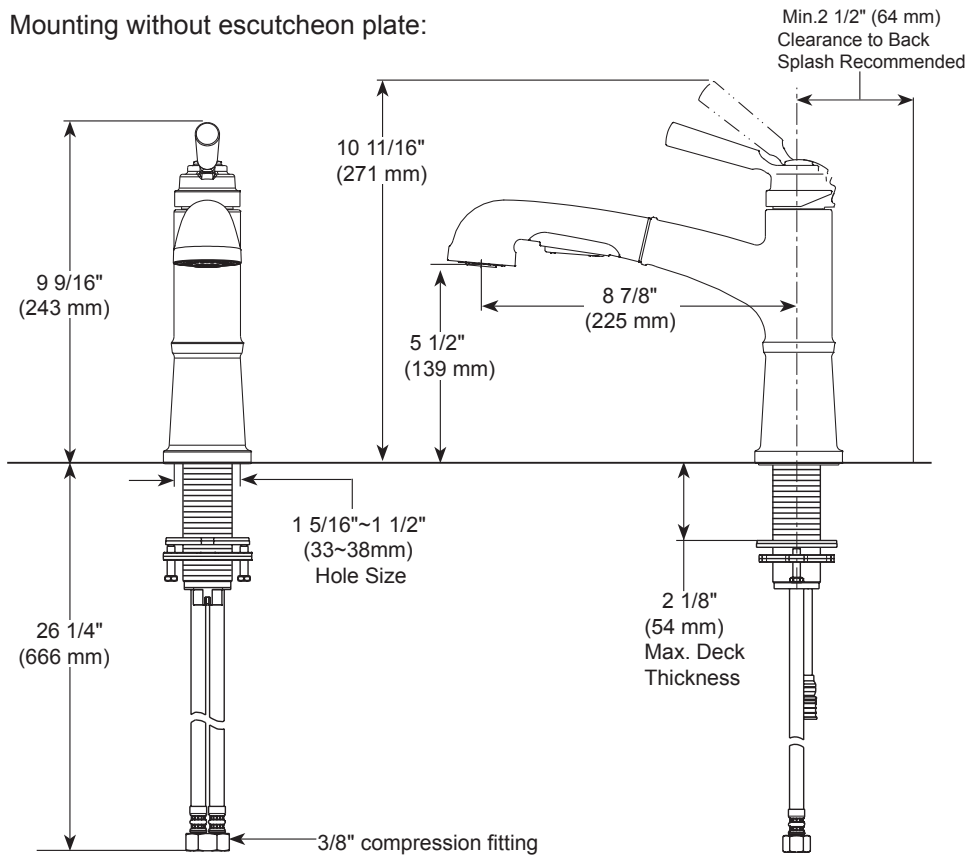


PEERLESS®

P6923LF-▲

Mounting without escutcheon plate:



KITCHEN FAUCET:

- Single Handle Pull-out
- 1, 2, 3 or 4 Hole Sink Applications

STANDARD SPECIFICATIONS:

- Max. flow rate 1.5 gpm @ 60 psi, 5.7 L/min @ 414 kPa
- One, two, three, four hole mount options (escutcheon and soap dispenser optional, not included)
- Two-function wand; aerated stream or spray
- Dual integral check valves in sprayer
- Ceramic cartridge
- Spout rotates 120°
- Red/Blue indicator markings
- Polymer braided flexible supply hose with 3/8" compression fitting - 26 1/4" (666 mm) long

WARRANTY

- Parts and Finish – Lifetime limited warranty; or for commercial purchasers, 10 years for multi-family residential (apartments and condominiums) and 5 years for all other commercial uses, in each case from the date that the product is received by the original purchaser or their authorized representative (installation contractor, etc.).
- Please go to www.peerlessfaucet.com for the complete details of our limited warranty.

COMPLIES WITH:

- ASME A112.18.1 / CSA B125.1
- ICC/ANSI A117.1 – Valve control only

Mounting with escutcheon plate:

