

## NOTICE

- \*Please make sure that you have all parts indicated and they are in good condition before you begin assembly of this item. Refer to part list and hardware list below for guidance.
- \*This item should be assembled on a soft surface to prevent scratching the finish during assembly.
- \*This item may require periodic tightening.
- \*If you are having difficulty, our friendly Customer Care team is always here to help.

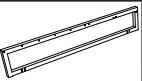





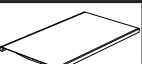



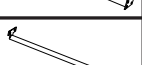

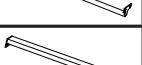
## PREPARATION

- \*Before beginning assembly of product, make sure all parts are present. Compare parts with part contents list and hardware contents list.
- \*If any part is missing or damaged, do not attempt to assemble the product.
- \*Tools Required for Assembly (included): Allen Key
- \*Estimated Assembly Time: 10 minutes.

## CARE AND MAINTENANCE

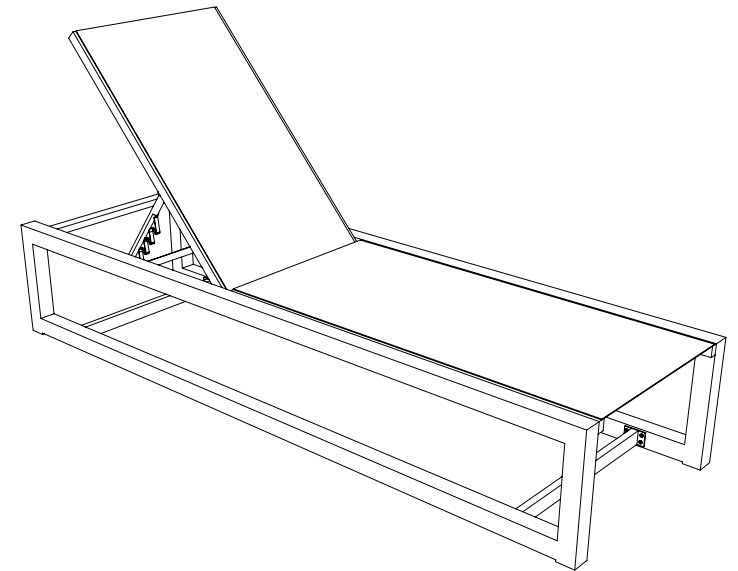
Store outdoor furniture indoors or cover well when not in use. Dust regularly with small brush or vacuum. Spills should be taken care of immediately before they harden or stain with a slightly damp sponge.

## Part List and Hardware List

PIECE	DESCRIPTION	PICTURE	QUANTITY	PIECE	DESCRIPTION	PICTURE	QUANTITY
A	Leg Right Sunlounger		1x	HW1	Allen Bolt (M6x20)		24x
B	Leg Left Sunlounger		1x	HW2	Allen Bolt (M6x35)		12x
C	Back Sunlounger		1x	HW3	Allen Bolt (M6x40)		2x
D	Seat Sunlounger		1x	HW4	Flat Washer (M6)		38x
E	Support Sunlounger		2x	HW5	Flastic Washer (M6)		2x
F	Support Sunlounger		1x	HW6	Allen Key (4x75)		1x
G	Support Sunlounger		1x				

# Owner Manual

PRODUCT DIMENSIONS:  
78.74"L x 26.77"W x 13.98"H



**Weight capacity : 275 Lbs (single seat)  
550 Lbs (two person seat)**

**Warning : Do not stand on sunlounger  
Warning : Do not over torque bolts/screws**

# PREPARATION

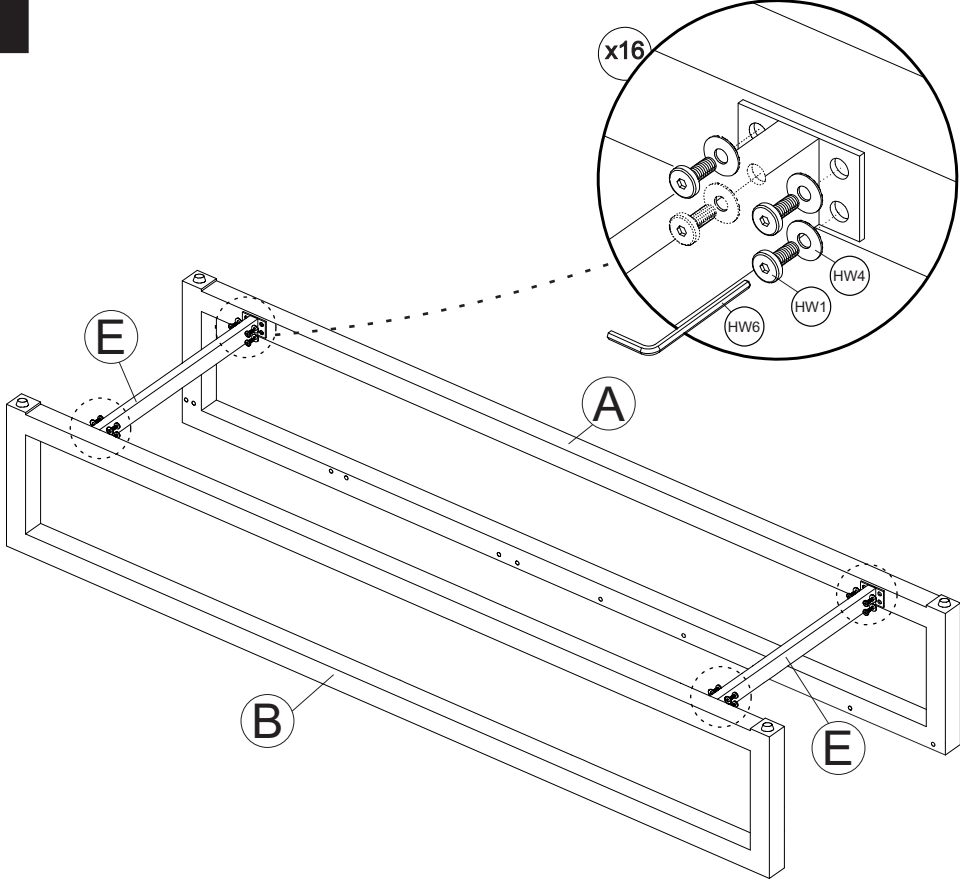
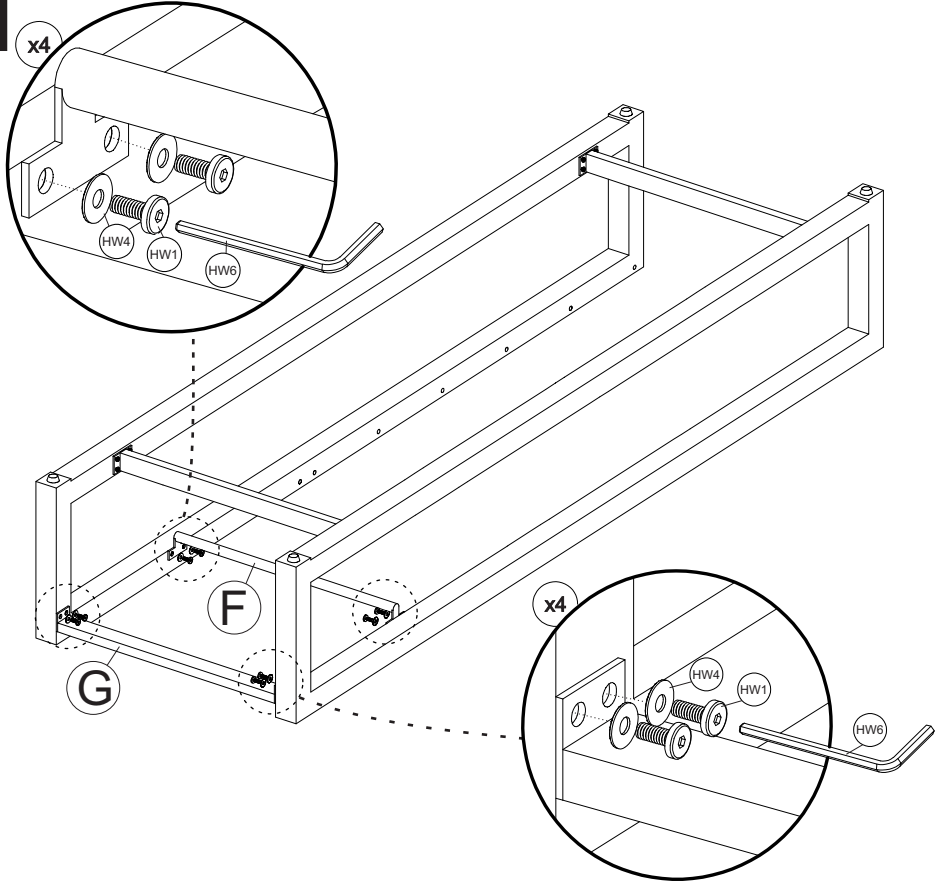
\*Before beginning assembly of product, make sure all parts are present. Compare parts with part contents list and hardware contents list.

\*If any part is missing or damaged, do not attempt to assemble the product.

\*Estimated Assembly Time : 10 minutes.

\*Tools Required for Assembly (included): Allen Key

\*If you are having difficulty, our friendly Customer care team is always here to help.

<p><b>1</b></p> 	<p><b>2</b></p> 
<p>STEP 1: Align the screw holes on the Support Sunlounger (E) to the screw holes on the Leg Sunlounger (A &amp; B). Place the the Flat Washer (HW4) on the Allen Bolts (HW1) in the order shown below. Use the Allen Key (HW6) to screw in the Bolts (HW1) with the washers attached.</p>	<p>STEP 2: Align the screw holes on the Support Sunlounger (F &amp; G) to the screw holes on the Leg Sunlounger (A &amp; B). Place the the Flat Washer (HW4) on the Allen Bolts (HW1) in the order shown below. Use the Allen Key (HW6) to screw in the Bolts (HW1) with the washers attached.</p>

## PREPARATION

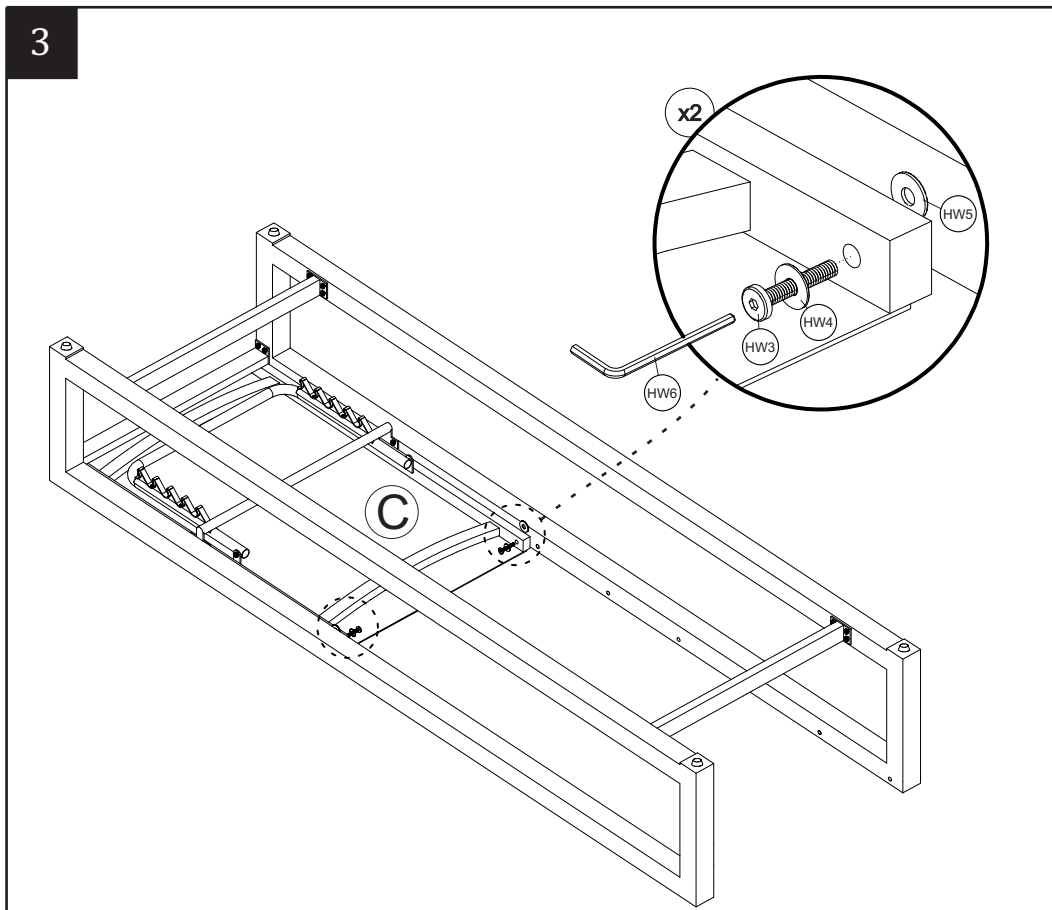
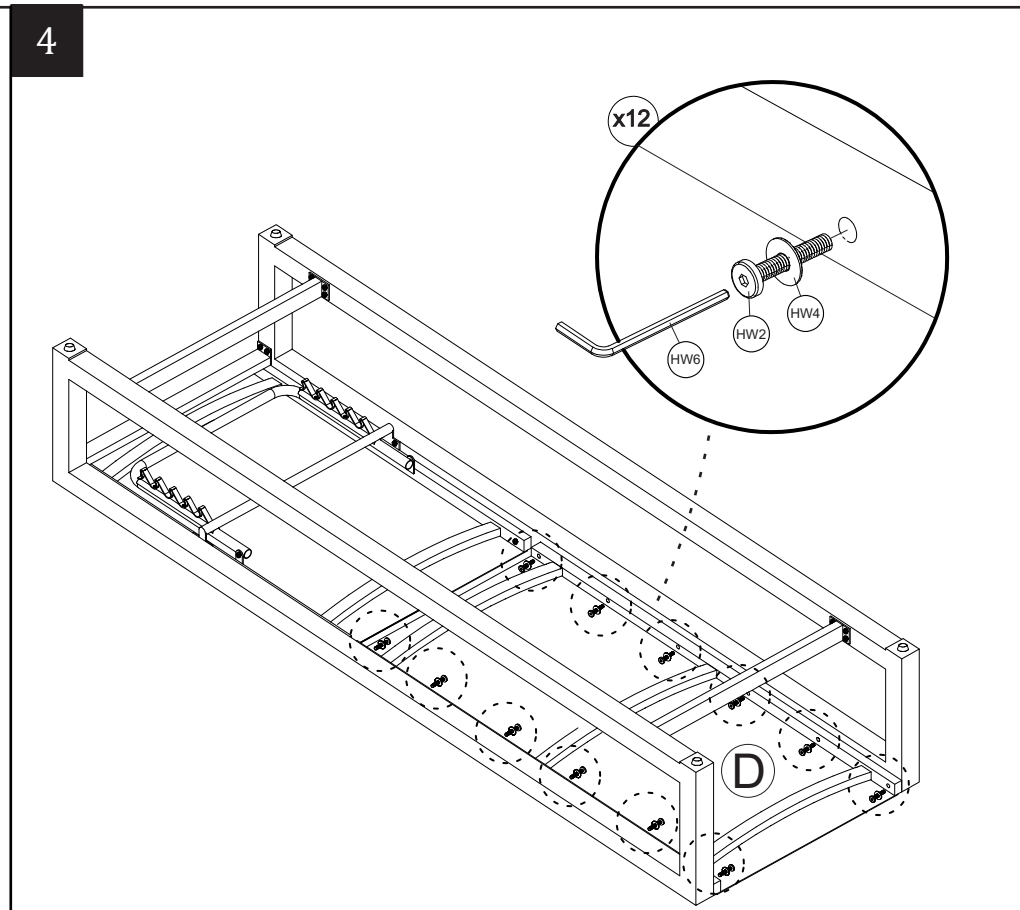
\*Before beginning assembly of product, make sure all parts are present. Compare parts with part contents list and hardware contents list.

\*If any part is missing or damaged, do not attempt to assemble the product.

\*Estimated Assembly Time : 10 minutes.

\*Tools Required for Assembly (included): Allen Key

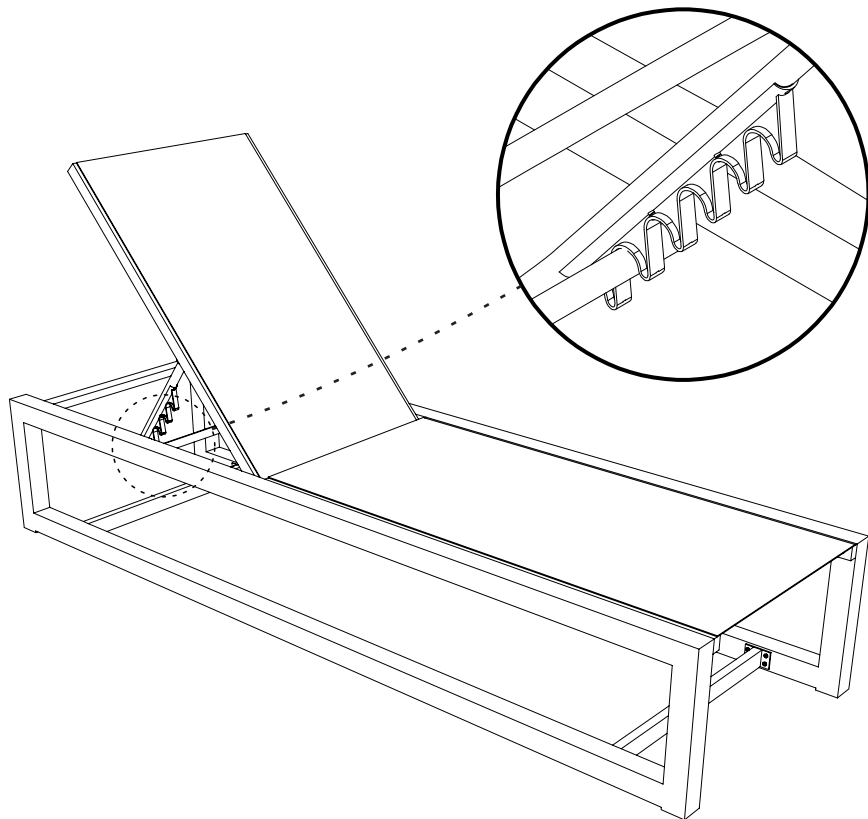
\*If you are having difficulty, our friendly Customer care team is always here to help.

<p><b>3</b></p> 	<p><b>4</b></p> 
<p>STEP 3: Align the screw holes on the Back Sunlounger (C) to the screw holes on the Leg Sunlounger (A &amp; B). Place the the Flat Washer (HW4) on the Allen Bolts (HW3) in the order shown below. Use the Allen Key (HW6) 80% tighten in the Bolts (HW3) with the Plastic Washer (HW5) attached.</p>	<p>STEP 4: Align the screw holes on the Seat Sunlounger (D) to the screw holes on the Leg Sunlounger (A &amp; B). Place the the Flat Washer (HW4) on the Allen Bolts (HW2) in the order shown below. Use the Allen Key (HW6) to screw in the Bolts (HW2) with the washers attached.</p>

## PREPARATION

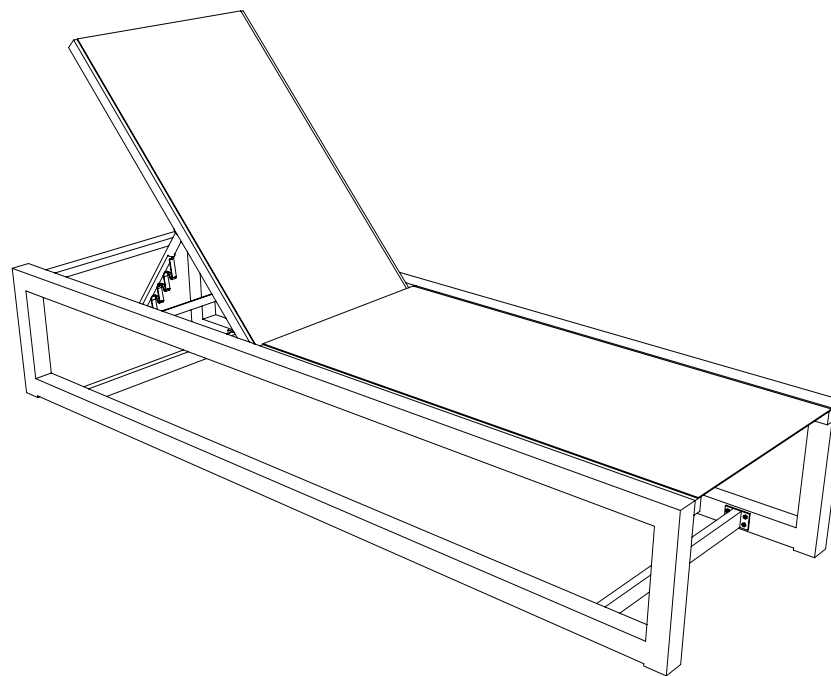
- \*Before beginning assembly of product, make sure all parts are present. Compare parts with part contents list and hardware contents list.
- \*If any part is missing or damaged, do not attempt to assemble the product.
- \*Estimated Assembly Time : 10 minutes.
- \*Tools Required for Assembly (included): Allen Key
- \*If you are having difficulty, our friendly Customer care team is always here to help.

5



STEP 5: Lift the backrest up and put it on each position of fish bone plastic behind.

6



STEP 6: Finishing for using