



ASSEMBLY INSTRUCTION

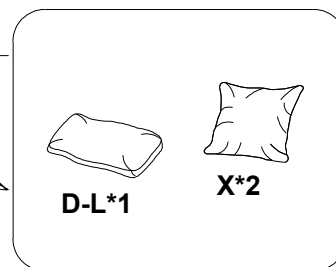
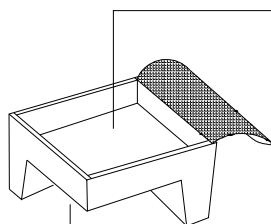
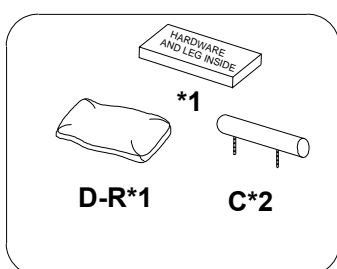
CORNER SEAT

Legs and hardware are stored in the box, please take out for assembly.

NOTE: Do not use power tools for assembly. Power tools increase the risk of over tightening which lead to splitting or cracking the wood.

CHAIR COMPONENT LIST

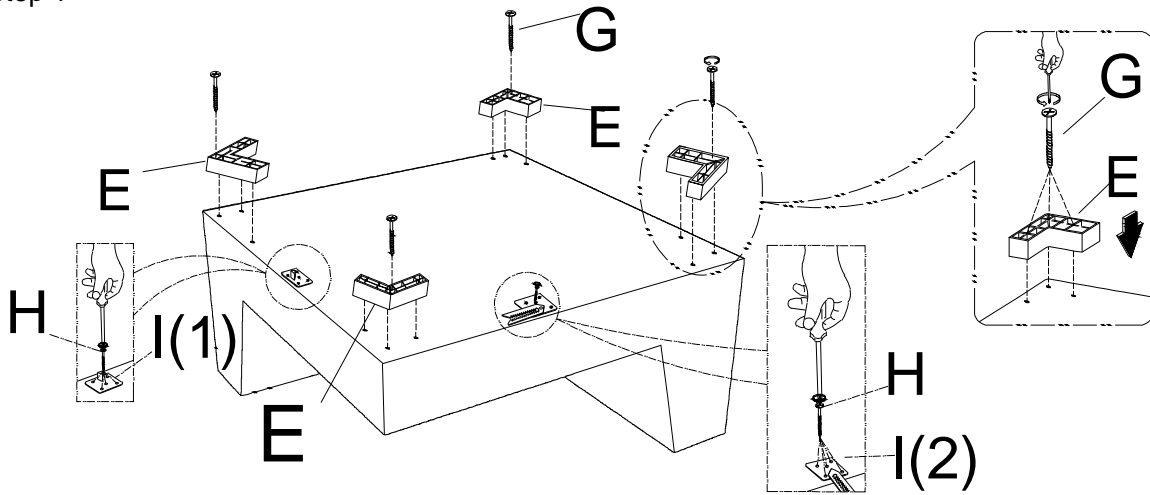
NO	DRAWING	QTY	DESCRIPTION
A		1	SEAT
B		1	SEAT CUSHION
C		2	HEADREST
D-L		1	L LSF BACK CUSHION
D-R		1	R RSF BACK CUSHION
E		4	PLASTIC LEG
F		2	CONNECTOR
G		16	SCREW #4X45MM
X		2	SQUARE PILLOW (DIM 21"x21")
H		10	SCREW #4X25MM
I		1	ALLIGATOR INSERT



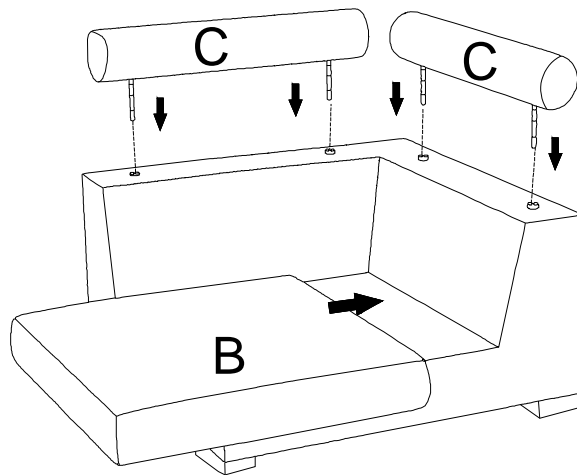
ASSEMBLY INSTRUCTION

NOTE: Please take out all the parts inside the bottom frame before assembling the leg.

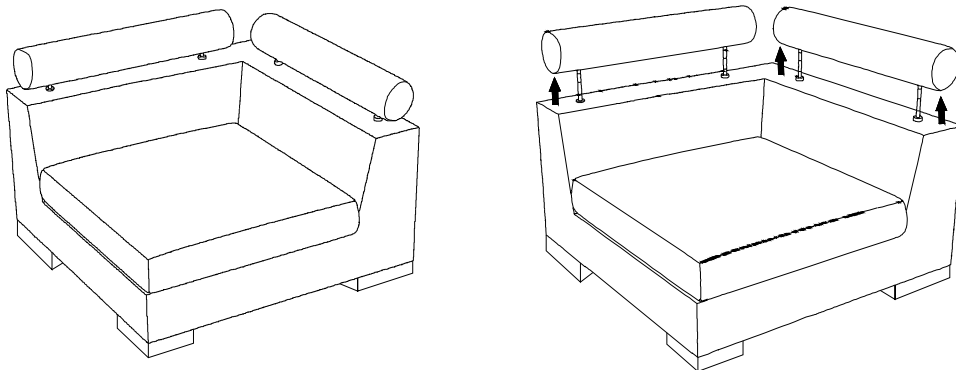
Step 1



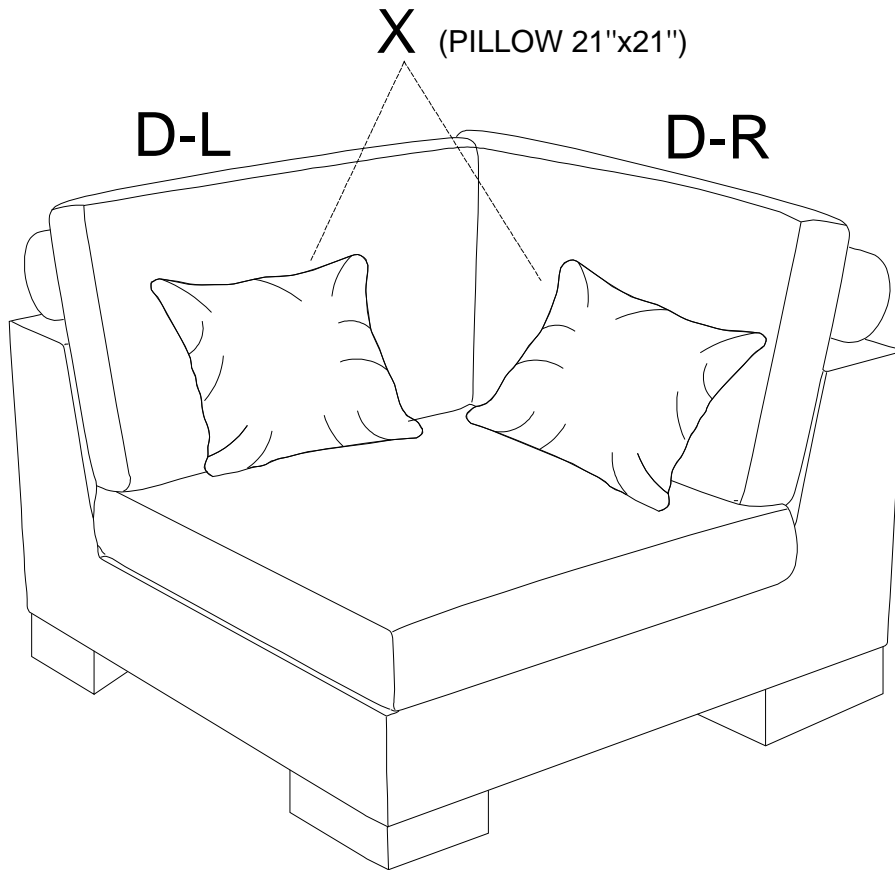
Step 2



Step 3

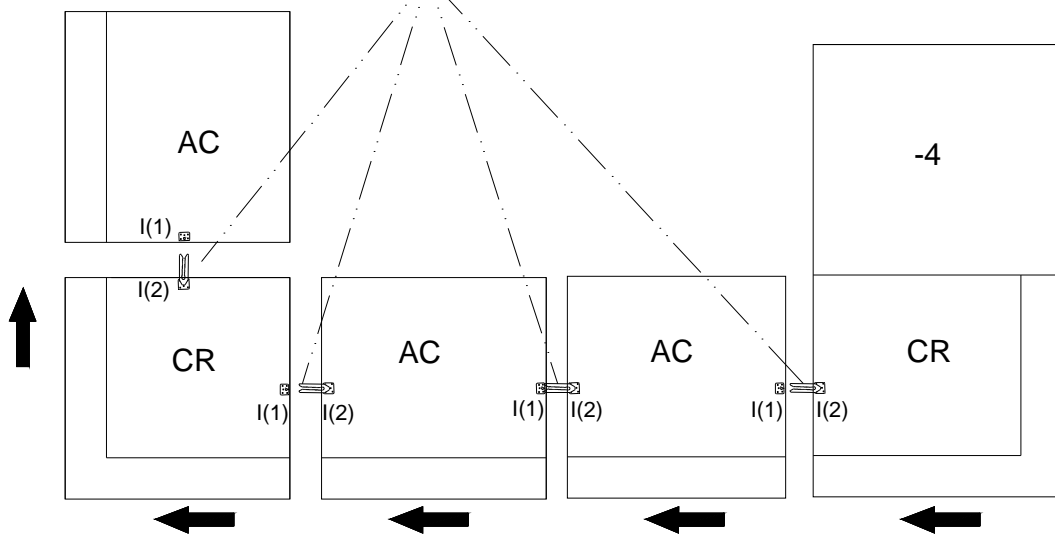
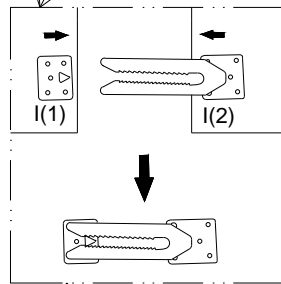
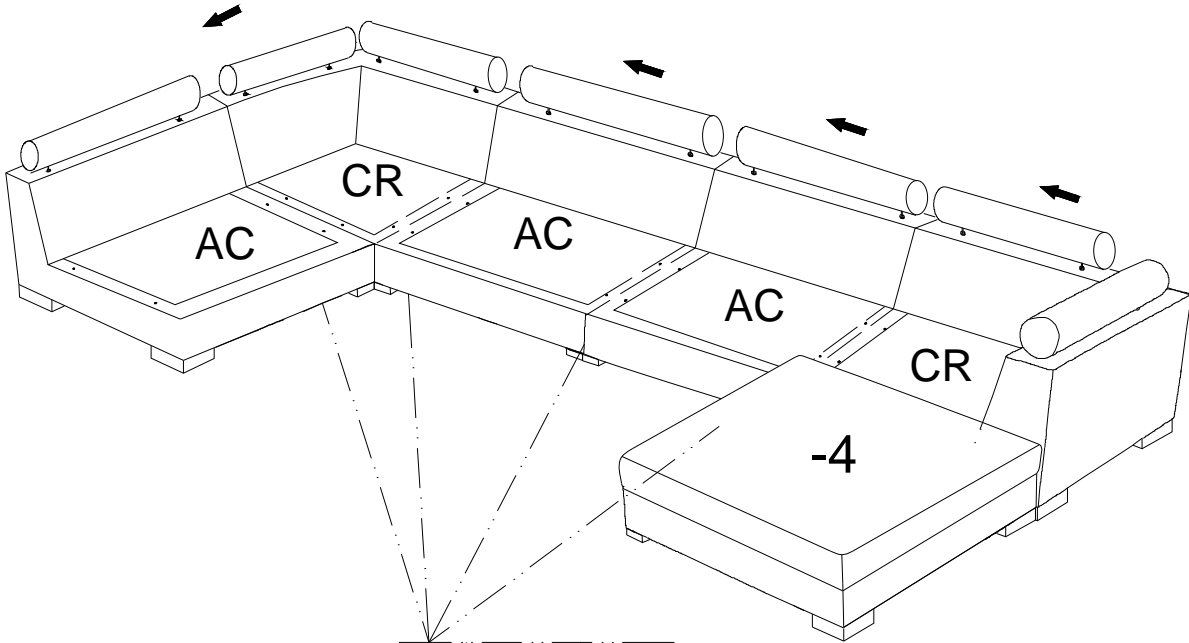


ASSEMBLY INSTRUCTION



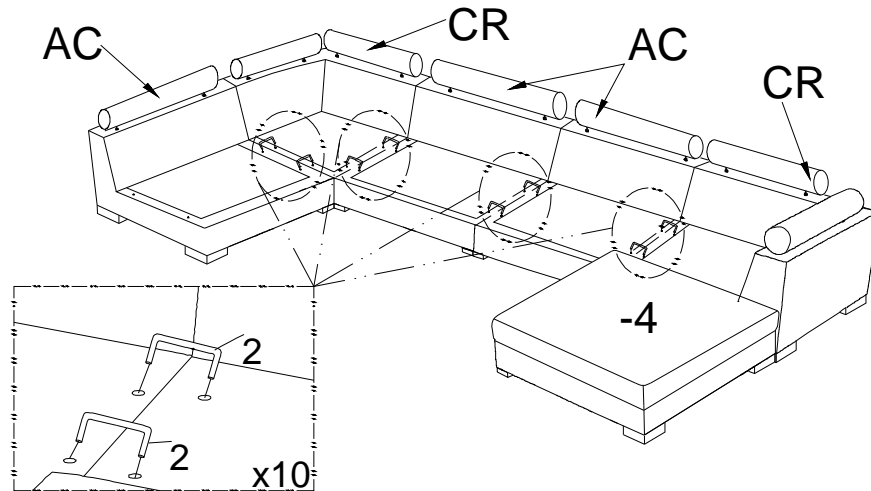
ASSEMBLY INSTRUCTION

STEP 1

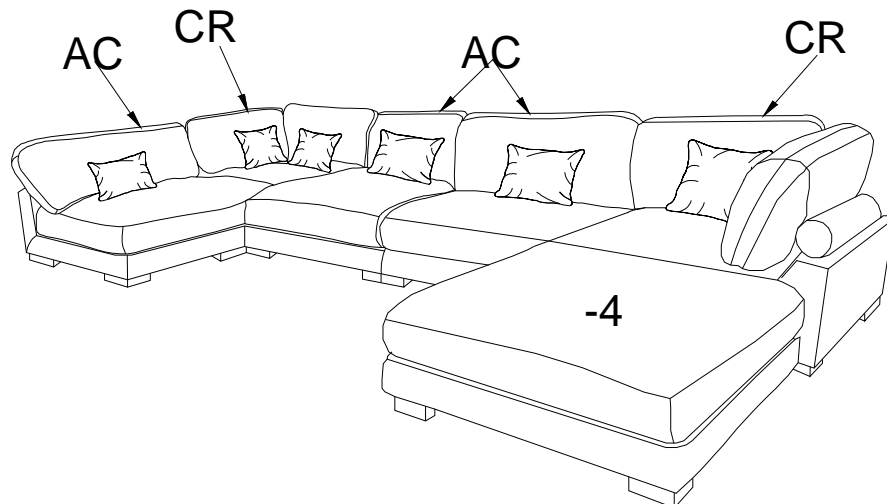


ASSEMBLY INSTRUCTION

STEP 2



STEP 3



Care Instruction for Corduroy Furniture:

In order to maintain the original appearance of your Corduroy furniture, please follow below simple care procedures:

Avoid exposing furniture directly to sunlight or heating and air conditioning outlets. Sunlight and or exposure to heating and air conditioning outlets will fade/damage Corduroy.

Vacuum or wipe with a soft cloth to remove dust.

Hardware may loosen over time. Periodically check to make sure all connection are tight, Re-tighten if necessary.



For item use on wooden floor, hard surfaces or carpets, it is recommended to install protective pads under all legs and supports to avoid/prevent from damages/scratches and discoloration.



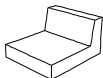





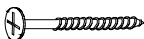


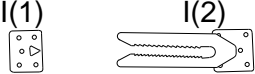
ASSEMBLY INSTRUCTION

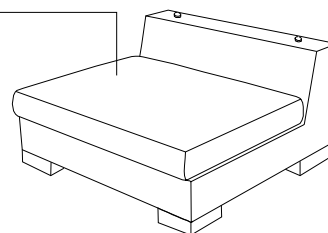
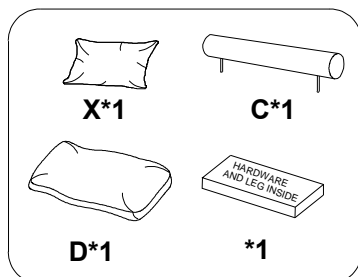
ARMLESS CHAIR

 Legs and hardware are stored in the box, please take out for assembly.

NOTE: Do not use power tools for assembly. Power tools increase the risk of over tightening which lead to splitting or cracking the wood.

CHAIR COMPONENT LIST

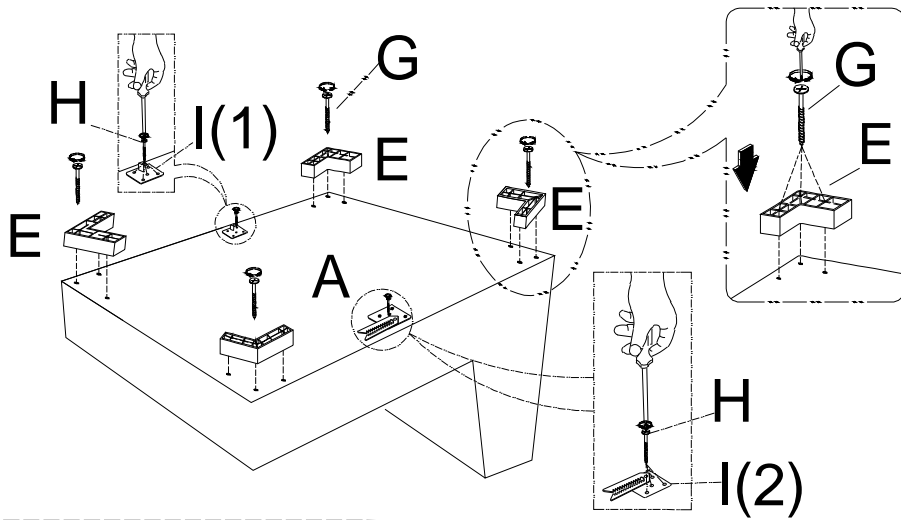
NO	DRAWING	QTY	DESCRIPTION
A		1	SEAT
B		1	SEAT CUSHION
C		1	HEADREST
D		1	BACK CUSHION
E		4	PLASTIC LEG
F		2	CONNECTOR
G		16	SCREW #4x45mm
X		1	RECTANGULAR PILLOW(DIM 26"x15")
H		10	SCREW #4X25MM
I		1	ALLIGATOR INSERT



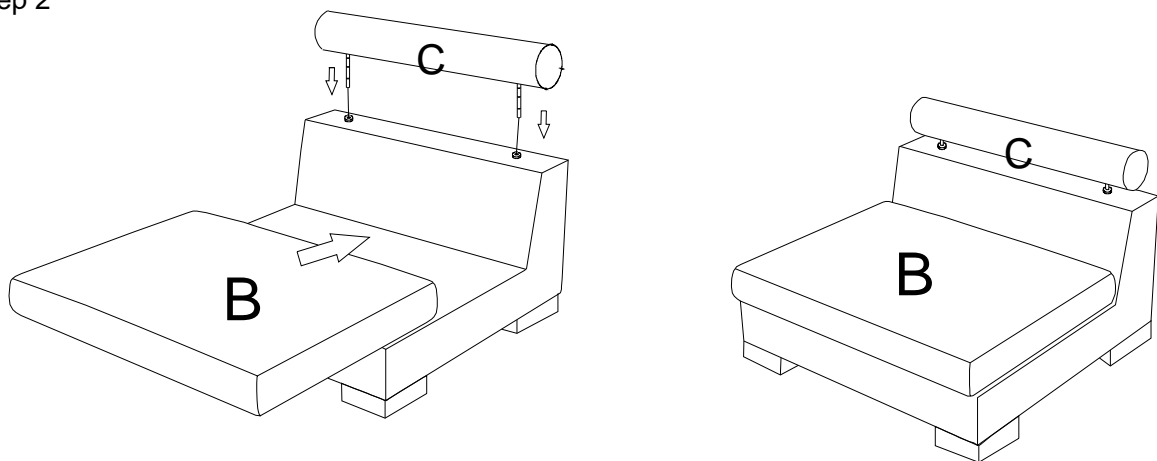
ASSEMBLY INSTRUCTION

NOTE: Please take out all the parts inside the bottom frame before assembling the leg.

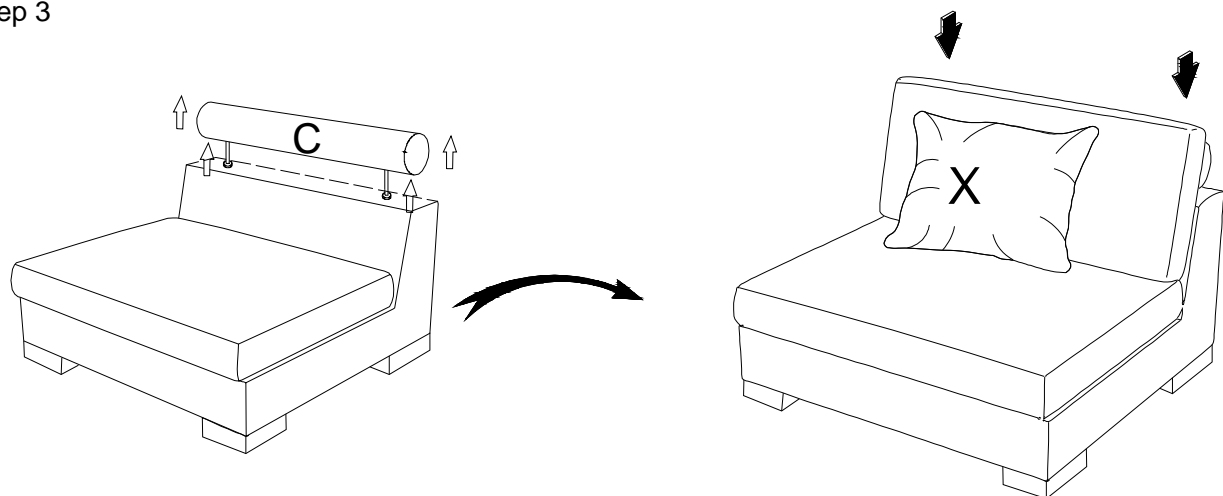
Step 1



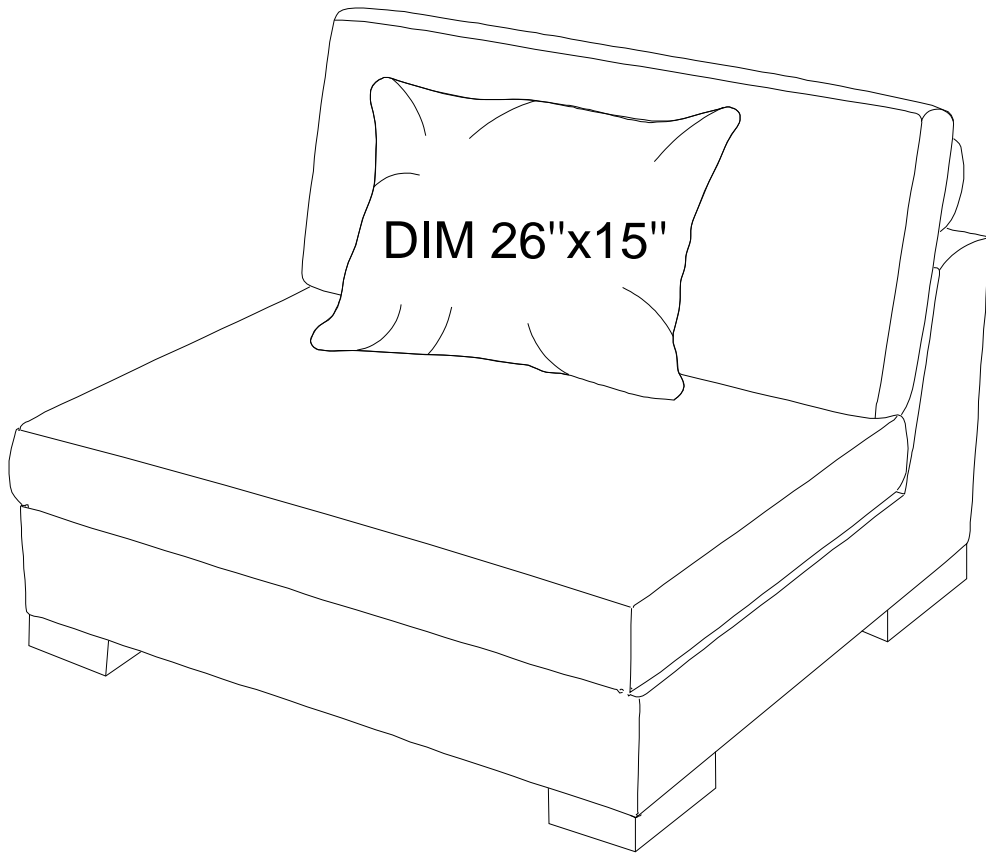
Step 2



Step 3

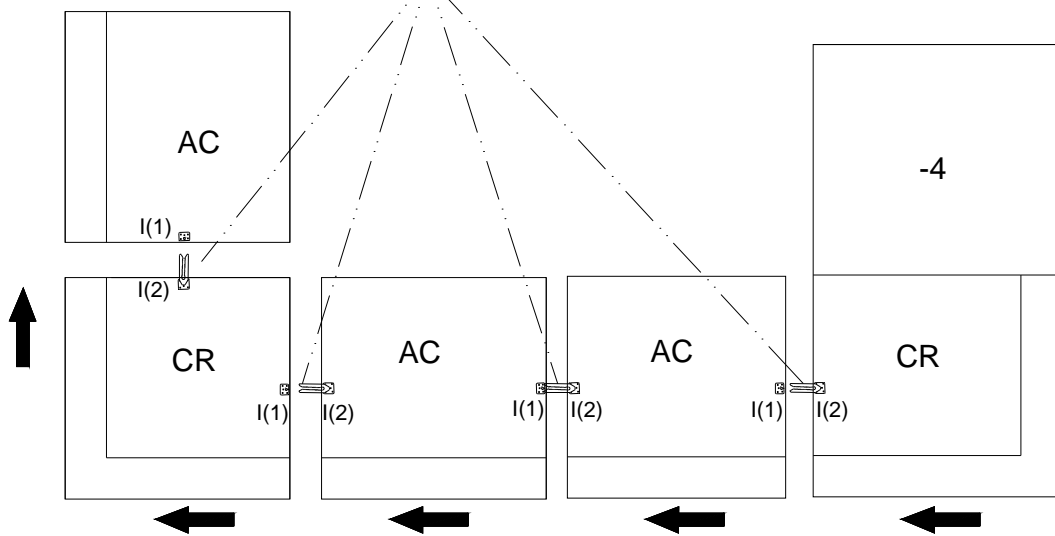
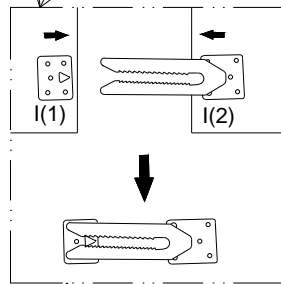
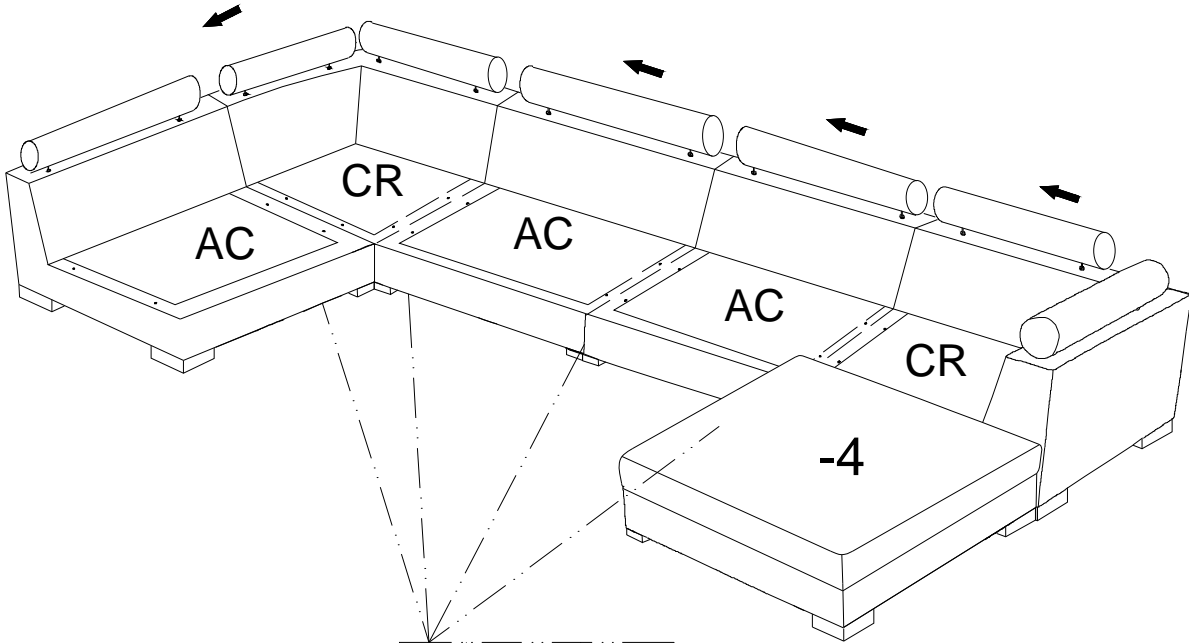


ASSEMBLY INSTRUCTION



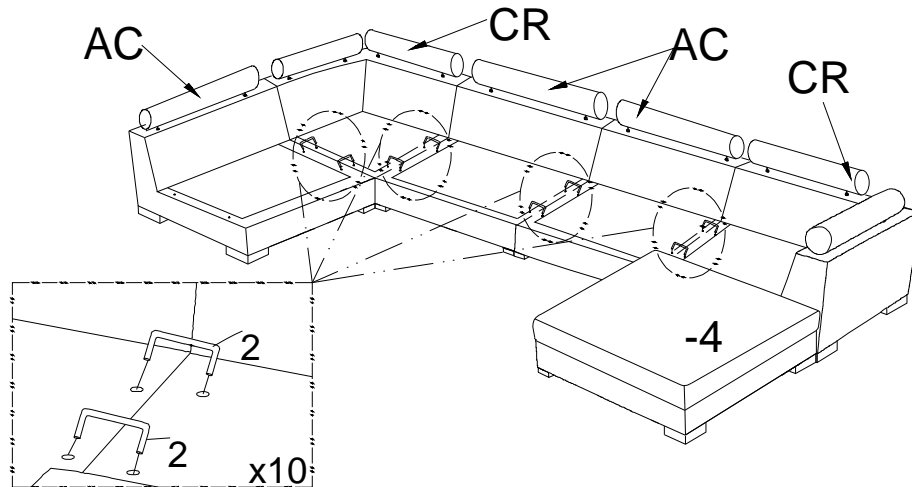
ASSEMBLY INSTRUCTION

STEP 1

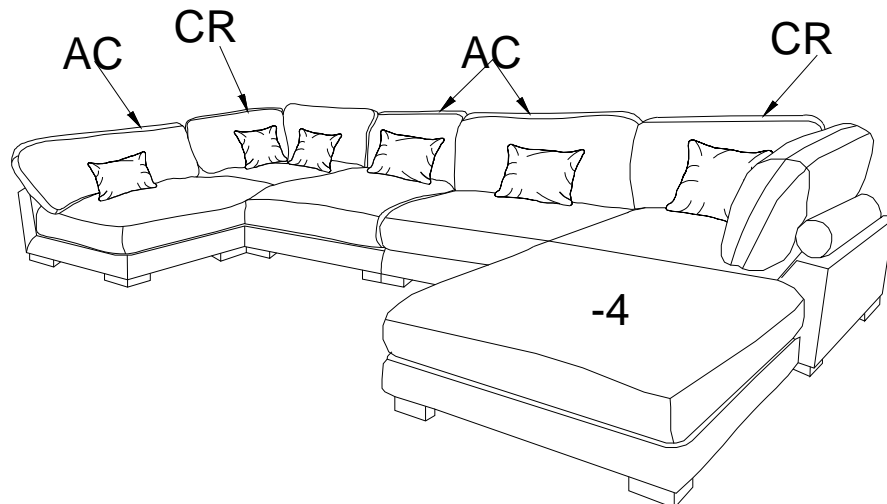


ASSEMBLY INSTRUCTION

STEP 2



STEP 3



Care Instruction for Corduroy Furniture:

In order to maintain the original appearance of your Corduroy furniture, please follow below simple care procedures:

Avoid exposing furniture directly to sunlight or heating and air conditioning outlets. Sunlight and or exposure to heating and air conditioning outlets will fade/damage Corduroy.

Vacuum or wipe with a soft cloth to remove dust.

Hardware may loosen over time. Periodically check to make sure all connection are tight, Re-tighten if necessary.



For item use on wooden floor, hard surfaces or carpets, it is recommended to install protective pads under all legs and supports to avoid/prevent from damages/scratches and discoloration.