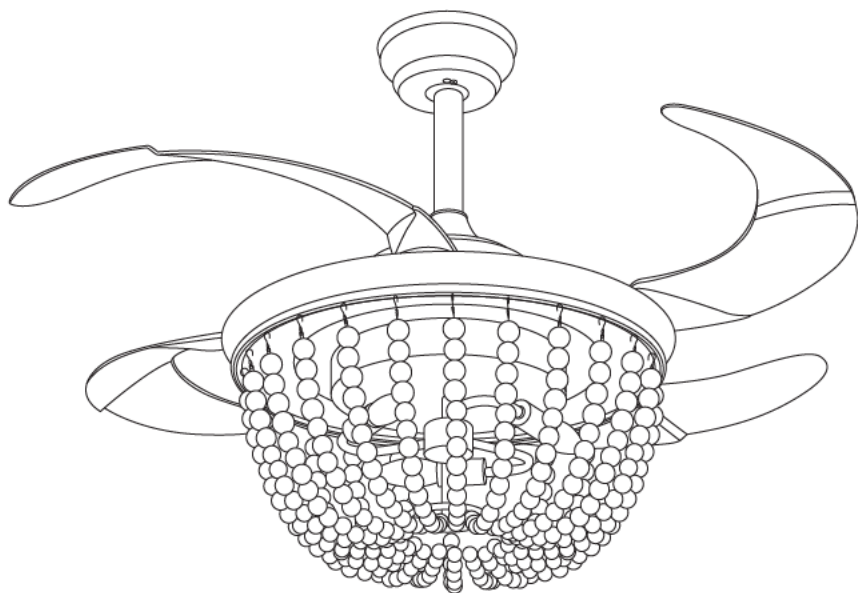


# CEILING FAN

- INSTALLATION
- OPERATION
- WARRANTY INFORMATION



## CAUTION

READ INSTRUCTIONS CAREFULLY FOR SAFE  
INSTALLATION AND FAN OPERATION.

# CONGRATULATION ON YOUR PURCHASE.

## CONGRATULATIONS ON PURCHASING BOHO CEILING FAN!

We are proud of our work and we appreciate the opportunity to supply you with the best ceiling fan available anywhere in the world. Before installing your fan, record the following information for your records and warranty assistance.

Name : \_\_\_\_\_

Order Number: \_\_\_\_\_

Purchased Date: \_\_\_\_\_

## Safety Precautions

**The information contained herein has been prepared to ensure you of trouble-free operation of your Ceiling Fan.**

1. To ensure the success of the installation, be sure to read the instructions and study the diagrams thoroughly.
2. To reduce the risk of personal injury, attach the fan directly to the support structure of the building according to these instructions, and use only the hardware supplied. Note that the structure must be able to support a weight of at least 19 lbs. If you are mounting the fan to a ceiling junction box, the box must be able to support the moving weight of the fan.
3. To avoid possible electrical shock, before installing your fan, disconnect the power by turning off the circuit breakers to the outlet box and associated wall switch location.
4. All wiring must be in accordance with national and local electrical codes and ANSI/NFPA 70. If you are unfamiliar with wiring, you should use a qualified electrician.
5. Make sure that your installation location will not allow the rotating fan blades to come into contact with any object, and that there is a minimum clearance of 12 inches from the blade tip to the wall or nearest object, and ensure the blades are mounted at a minimum height of 7 feet from the floor when the fan is installed. Please note that the greater this clearance is, the better the airflow from your fan will be.
6. The fan must be grounded.
7. Do not connect the fan motor to a dimmer switch. This may give an unsatisfactory performance (motor hum) and cause damage to the motor. Only use the supplied fan controller.
8. It is not recommended that ceiling fans and gas appliances be operated in the same room at the same time.
9. The fan must be turned off and stopped completely before reversing the fan direction. This will prevent any damage to the motor of the unit or controller (if installed).
10. Do not insert anything into the fan blades while the fan is operating, as this may cause personal injury, damage the blades, and upset the balance of the unit, causing it to wobble.
11. After the fan is completely installed, make sure that all connections are securely tightened to prevent any noise.
12. Because of the fan's natural movement, some connections may loosen. It is recommended that you check the support connections, brackets, and blade attachments once a year to make sure they are all secured. If they are loose, tighten with a screwdriver.

**Note:** The important safeguards and instructions given in this manual are not meant to cover all possible conditions and situations that may occur. It must be understood that common sense, caution, and care are factors, which cannot be built into any product. The persons caring for and using the unit must supply these factors.

## Before Installation

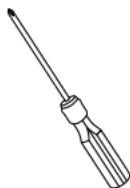
To install a ceiling fan, be sure you can do the following:

- Locate the junction box or other suitable support in the ceiling
- Drill holes for and install screws
- Identify and connect electrical wires
- Lift 19 pounds

If you need help installing the fan, please contact a local licensed electrician.

## Tools Required

Tools Required (Not Included):



Phillips Head Screwdriver



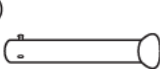

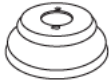

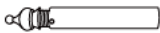







Step Ladder

## Check your Fan Parts

Carefully unpack your ceiling fan to avoid damage to the fan parts. Check for any shipping damage to the motor or fan blades. If one of the fan blades was damaged in shipment, return all the blades for replacement.

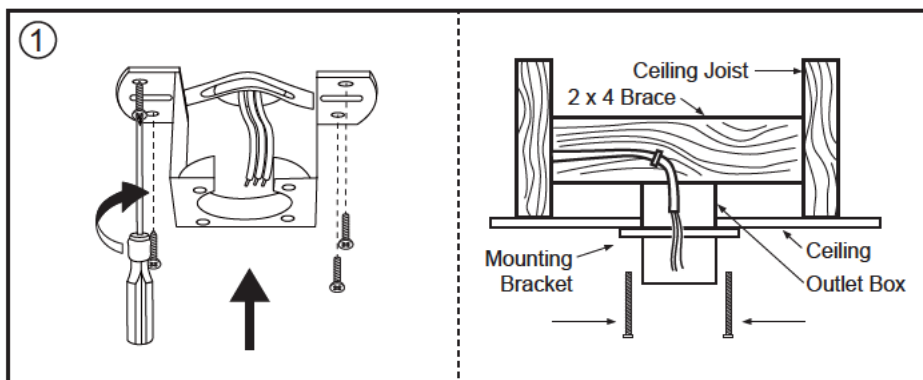
**Note:** If any parts are missing or damaged, contact us through amazon.

 Lamp body	(A)  Bracket	(C)  7.87" downrod	(D)  3.93" downrod
(E)  Canopy	(F)  Motor cover	(G)  Lamp support	(H)  Remote control set
(I)  Bulbs	(J)  Bead strings	(B)  *2 Accessory bag	 *4

## Warranty Service

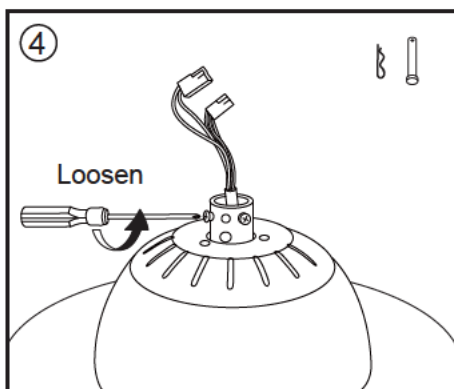
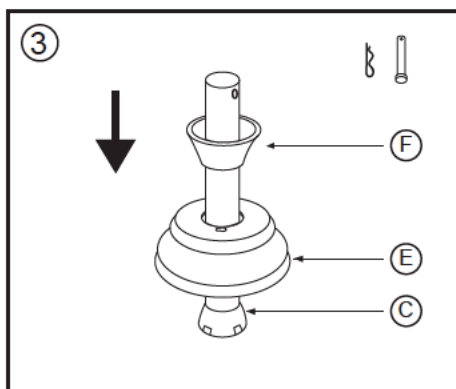
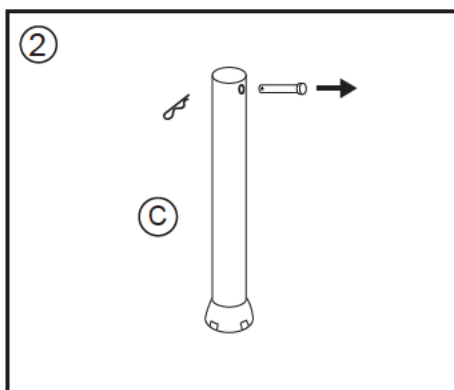
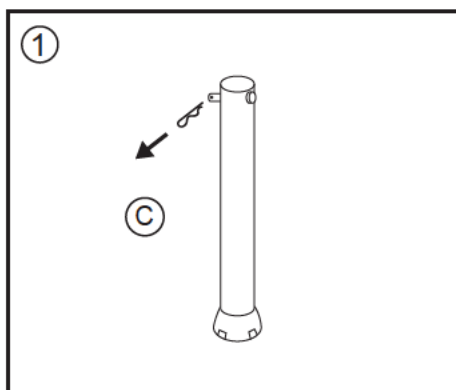
The warranty time is one year. please contact us through Amazon if you face any problem in one year. We will deal with your after sale problem in 24 hour.

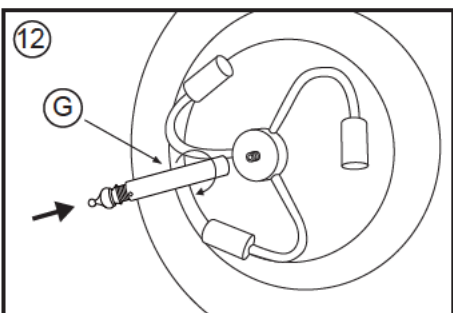
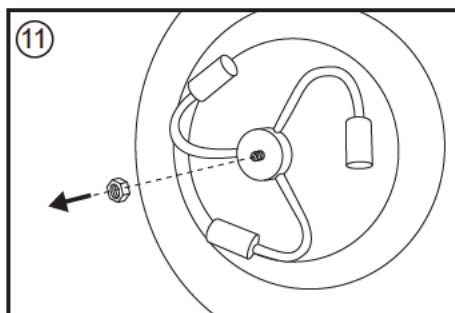
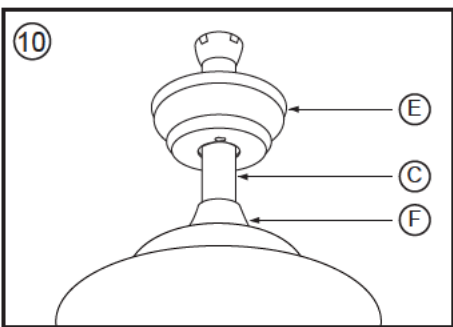
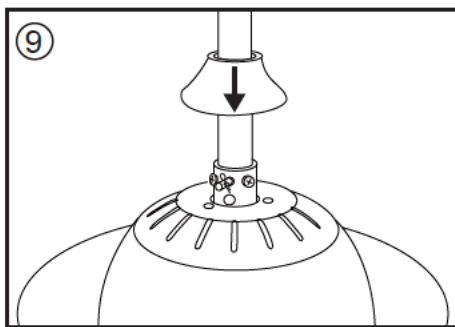
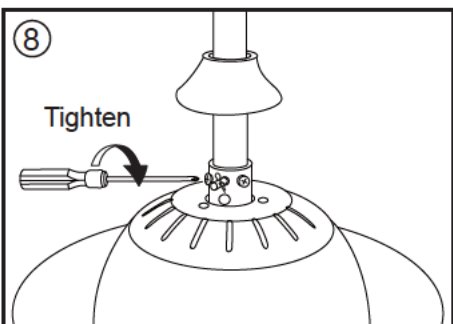
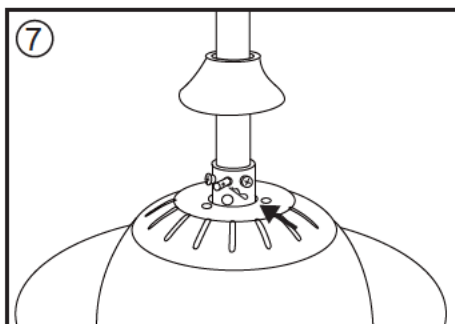
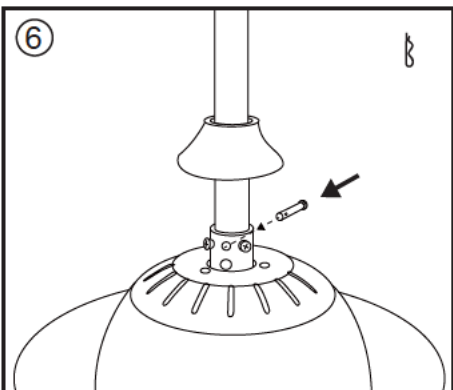
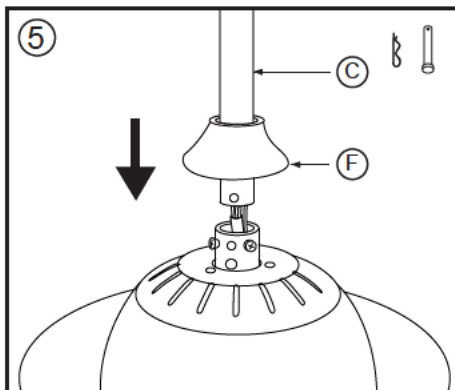
## Installing the Ceiling Plate



Note: \*4 \*4 \*2 Spart parts

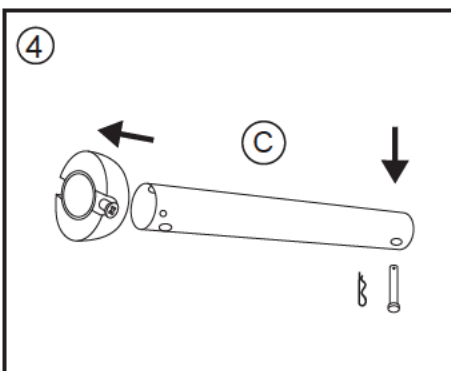
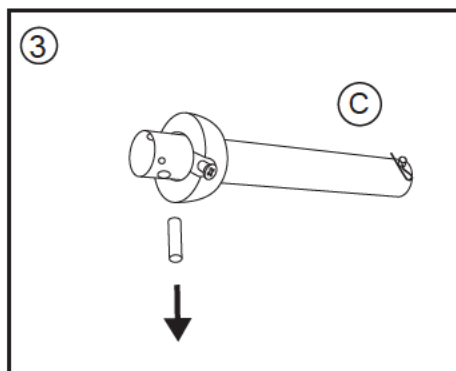
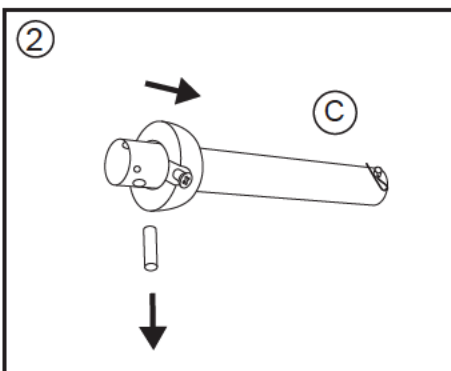
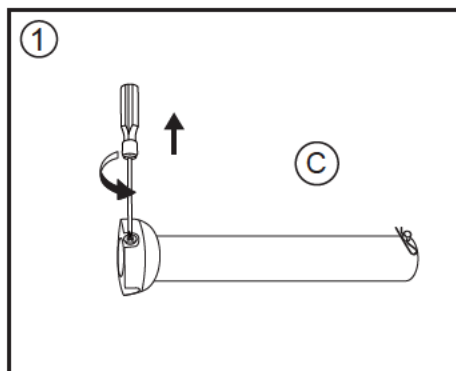
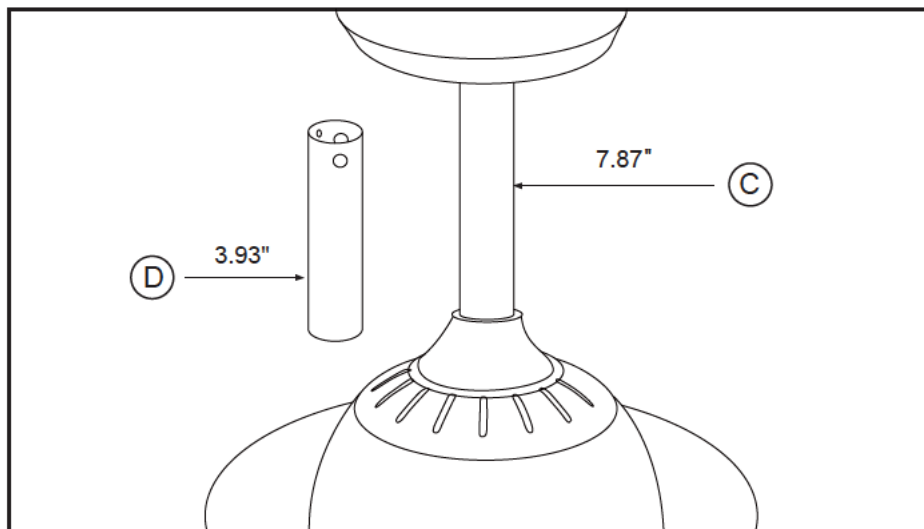
## Preparing the Fan

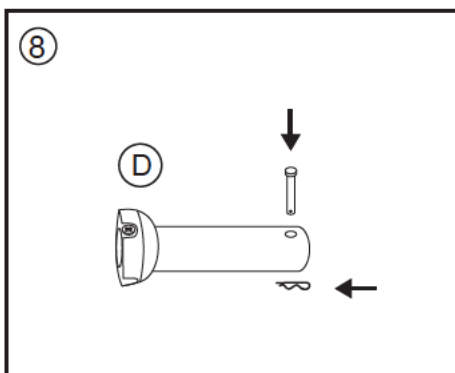
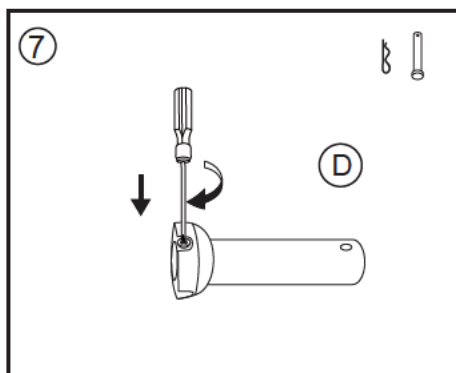
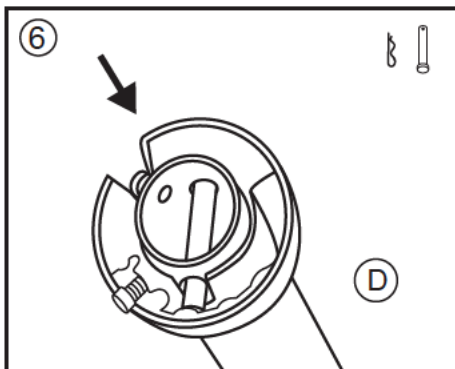
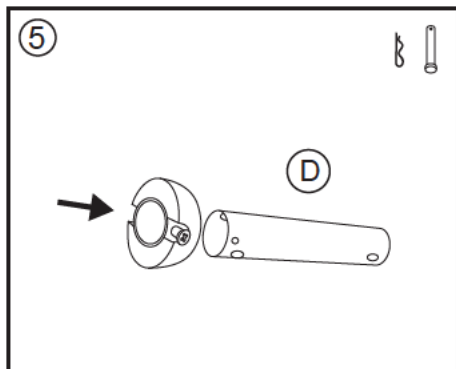




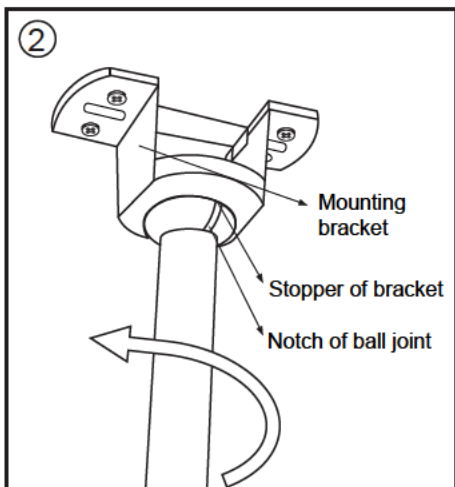
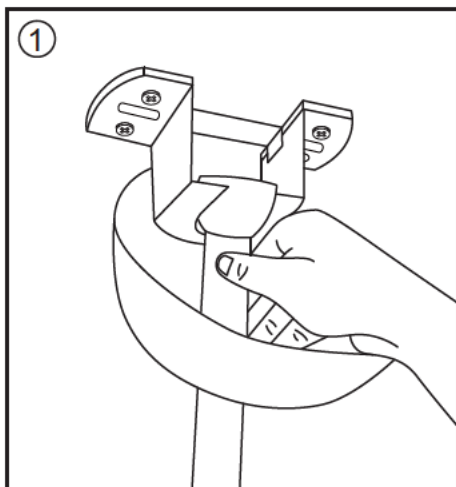
## How to Replace the Rod in Different Size

We provide two downrods for your different height of house.

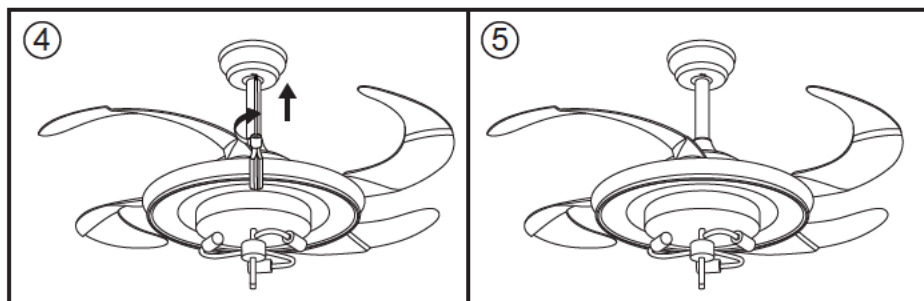
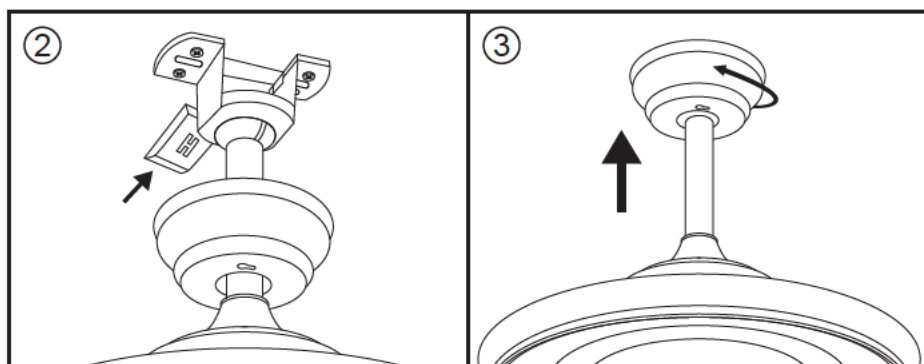
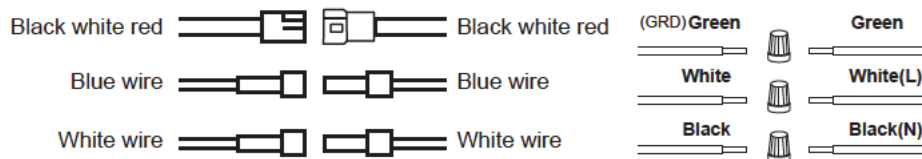
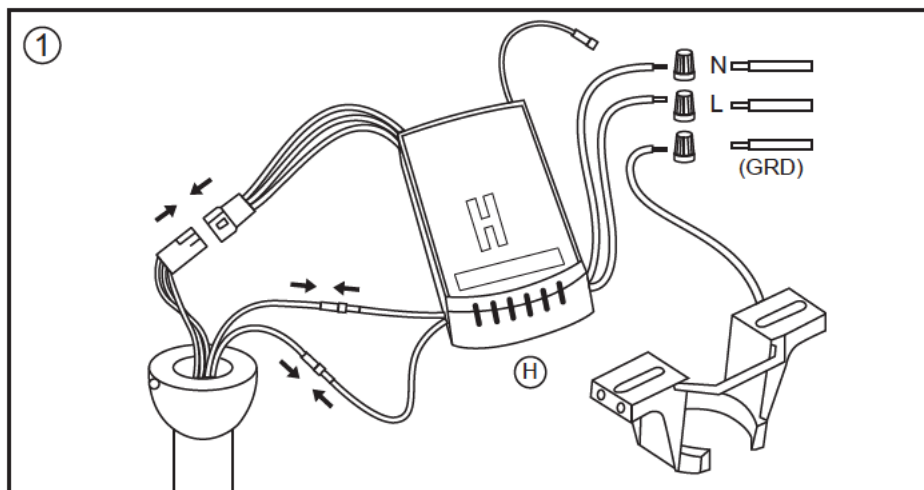




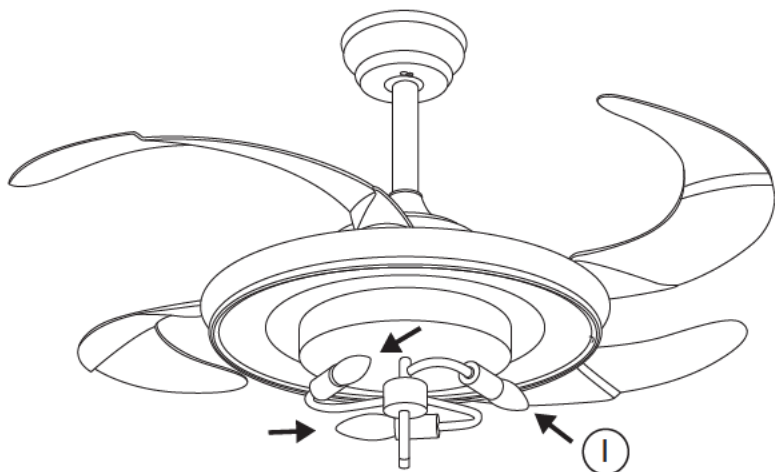
## Hanging the Fan



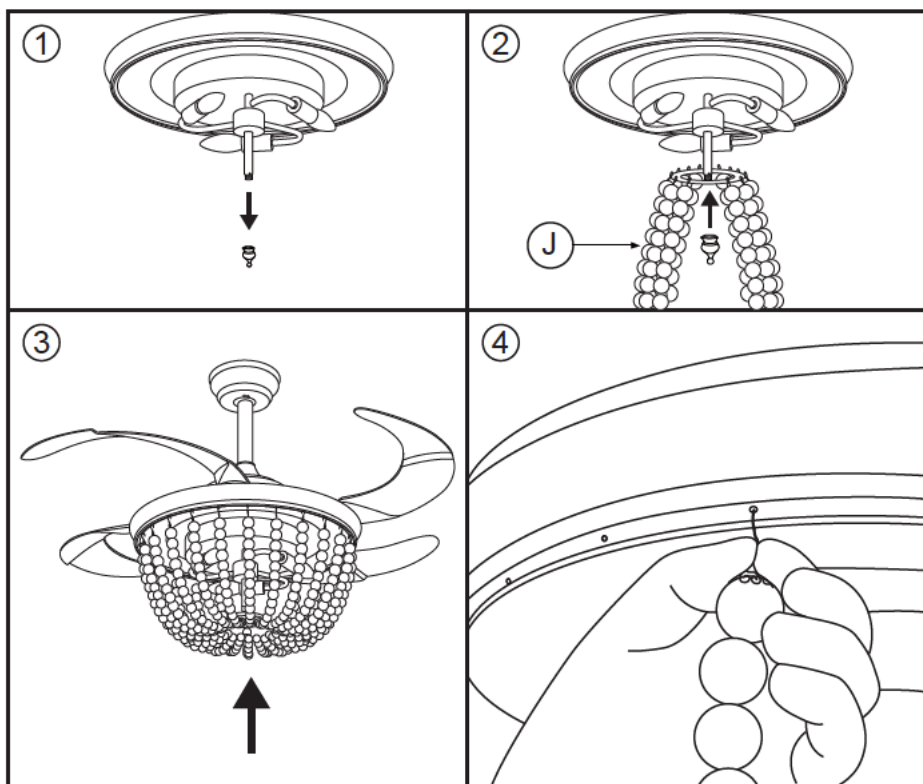
## Connecting the Wire



## Installing the bulb




## Installing the bead strings

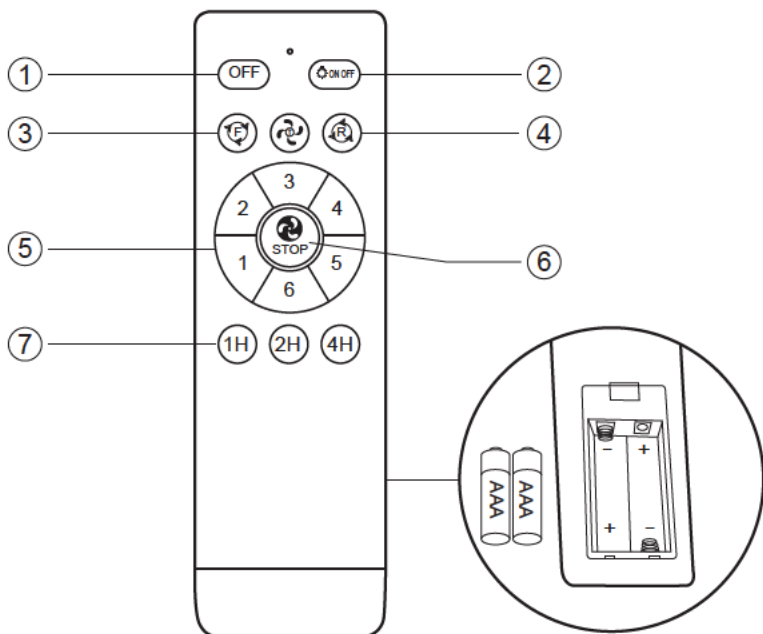


## Pairing the Remote Control and Fan

**Note:** Normally, the remote control does not need to be matched, because we have already set it up at the factory.

### Pairing the remote control and fan

Turn on the power and you will hear a beep, then immediately press  and holds it for 5 seconds. When you hear second beep, it means that the ceiling fan is now assigned and can be operated by the remote control.



- 1. ALL OFF BUTTON:**  
Press the button to turn the fan and light off.
- 2. LIGHT CONTROL BUTTON:**  
Press the button to turn the light on/off.
- 3. FORWARD WIND BUTTON:**  
Forward wind and use in summer.
- 4. REVERSE WIND BUTTON:**  
Reverse wind and use in winter.
- 5. FAN SPEED CONTROL BUTTON:**  
Press the button to turn on the fan and control the ceiling fan speed from low to high.
- 6. FAN OFF BUTTON:**  
Press the button to turn the fan off.
- 7. TIME SETTING BUTTON:**  
Press the button to choose the time setting.

