

ASSEMBLY INSTRUCTIONS



INTRODUCTION

Thank you for purchasing. We have designed this chair for maximum comfort and safety. Please read this document carefully to get the most out of your chair.

FEATURES

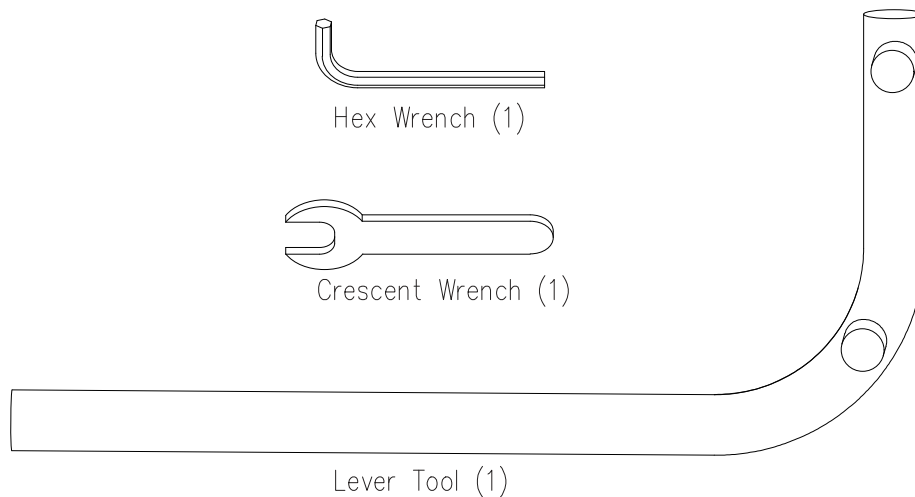
Decorative, Retractable Canopy
Four-legged base
Large Pillow
Two drink holders

WARNING

Follow these warnings to ensure your safety while using this chair:
Do not allow more than two people to sit in the chair.
Be sure to install the chair on a level, floor or solid outdoor surface.
Never stand on top of the chair.
Do not use the chair in high winds.
Always inspect joints periodically and tighten any loose bolts.
Never store any hazardous materials inside the chair.
Do not position the chair close to a camp fire.

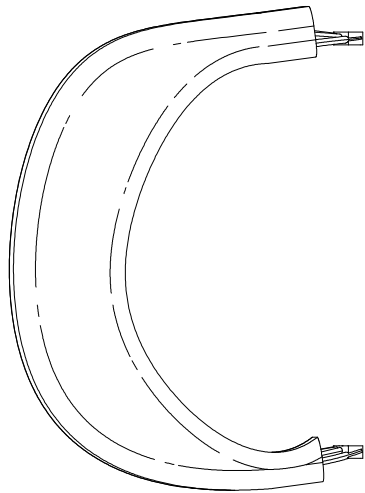
PARTS LIST

Be sure to check that all parts of the chair have been shipped below:

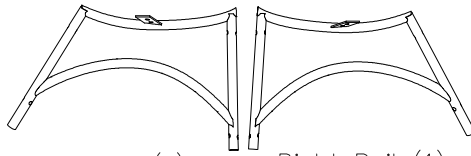


PARTS LIST (cont.)

Be sure to check that all parts of the chair have been shipped below:

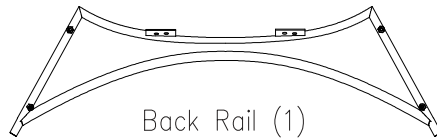


Canopy (1)

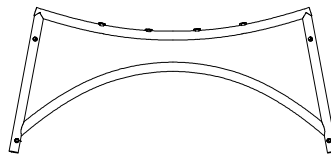


Left Rail (1)

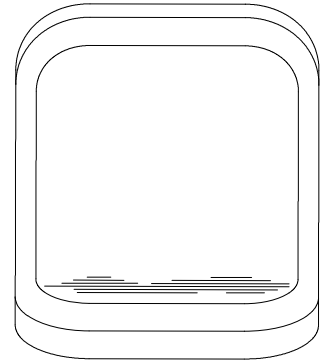
Right Rail (1)



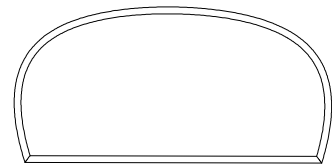
Back Rail (1)



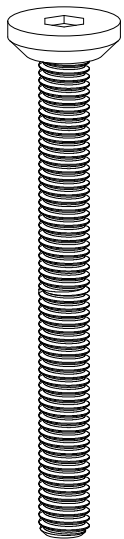
Front Rail (1)



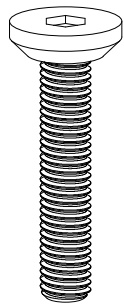
Pillow (1)



Base Pad (1)



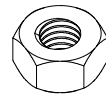
Long Flat Head Bolt (2)



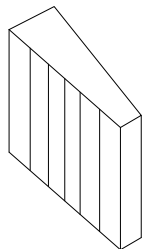
Short Flat Head Bolt (2)



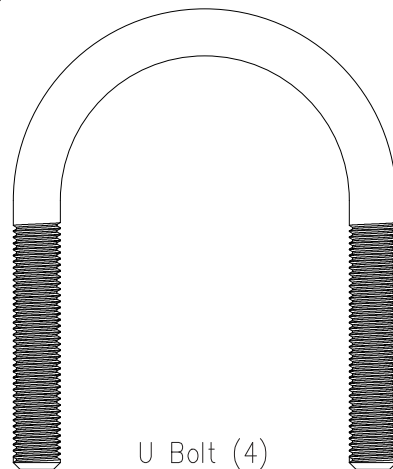
Round Head Bolt (8)



Nut (10)



Shim (2)



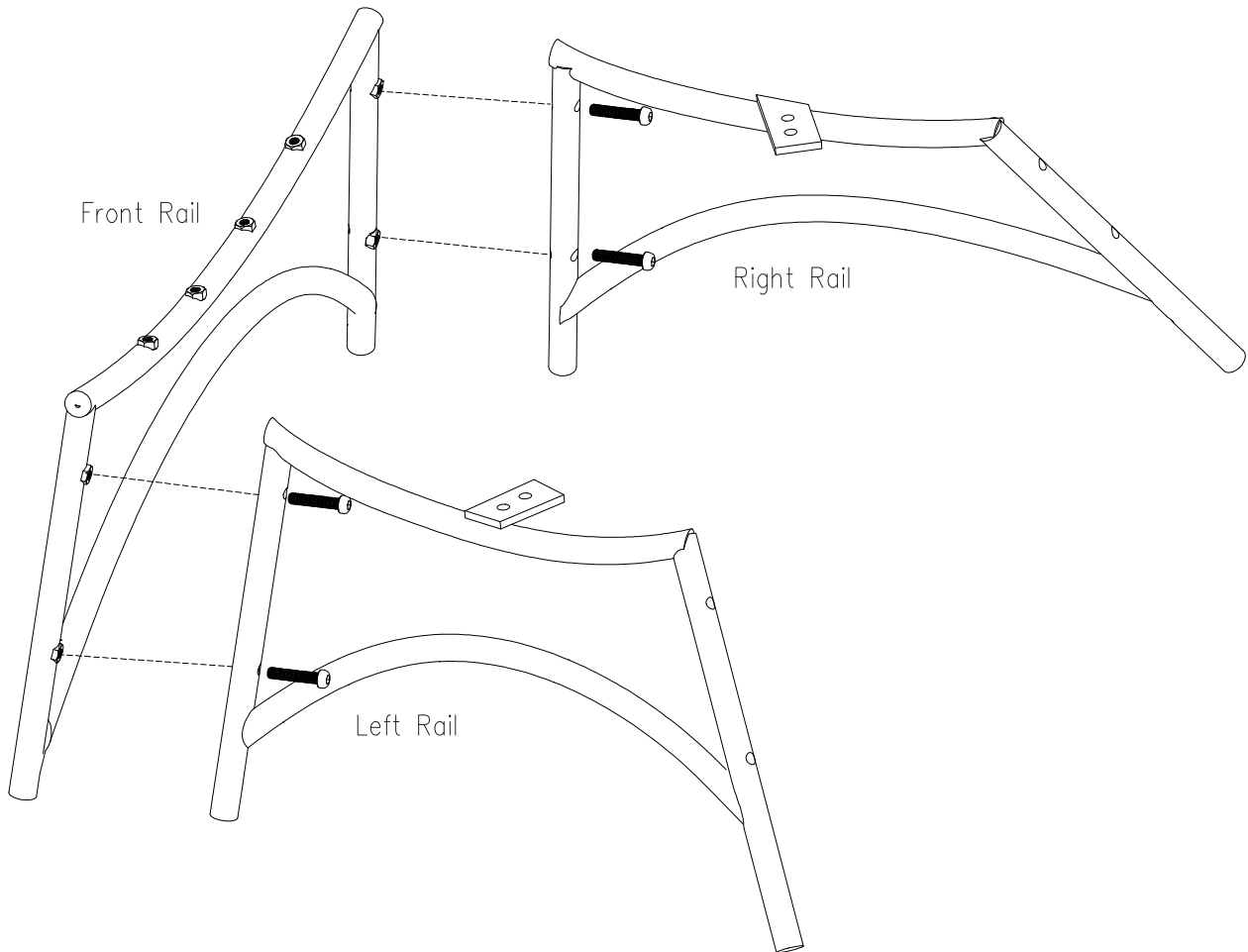
U Bolt (4)

ASSEMBLY

Use the crescent wrench to hold the nuts and the hex wrench to turn the bolts.

1

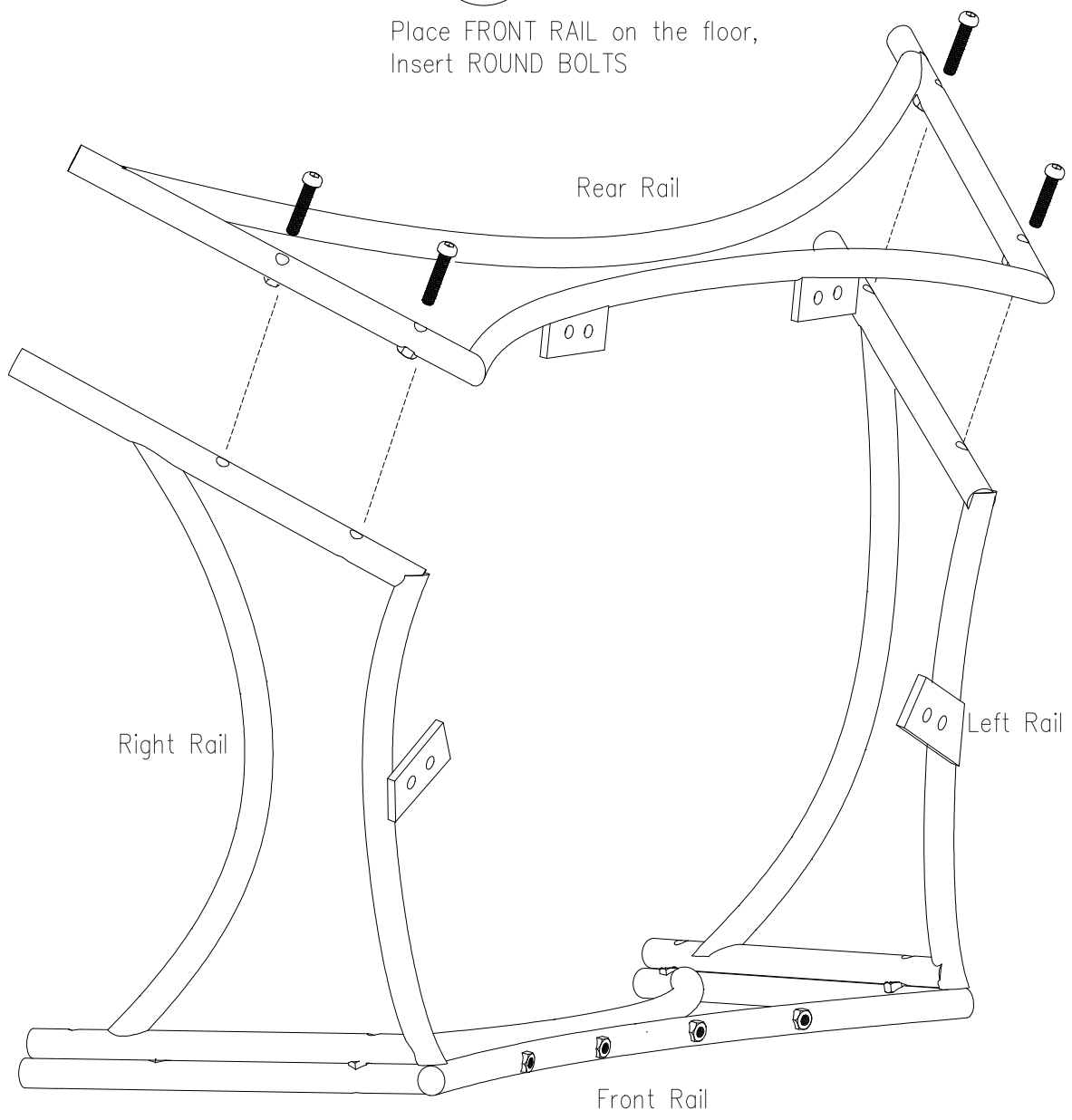
Insert ROUND BOLTS



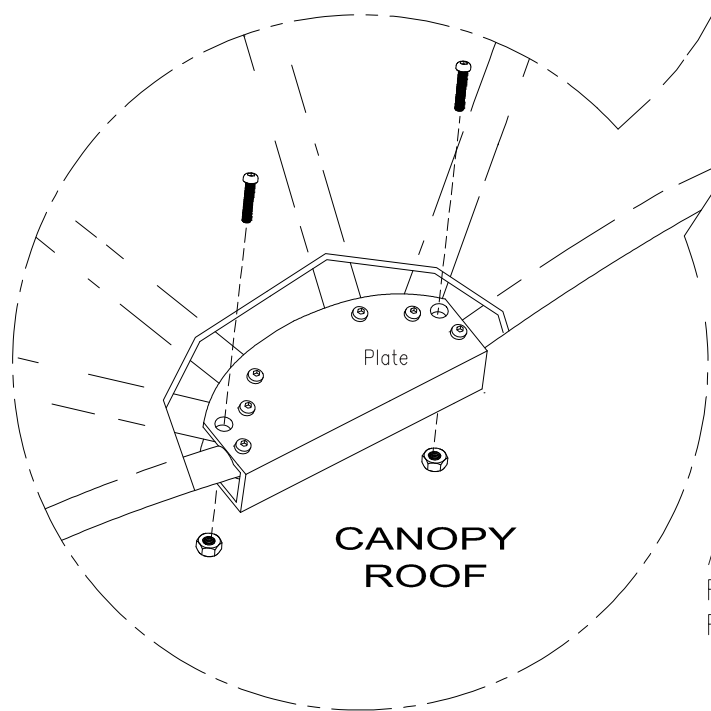
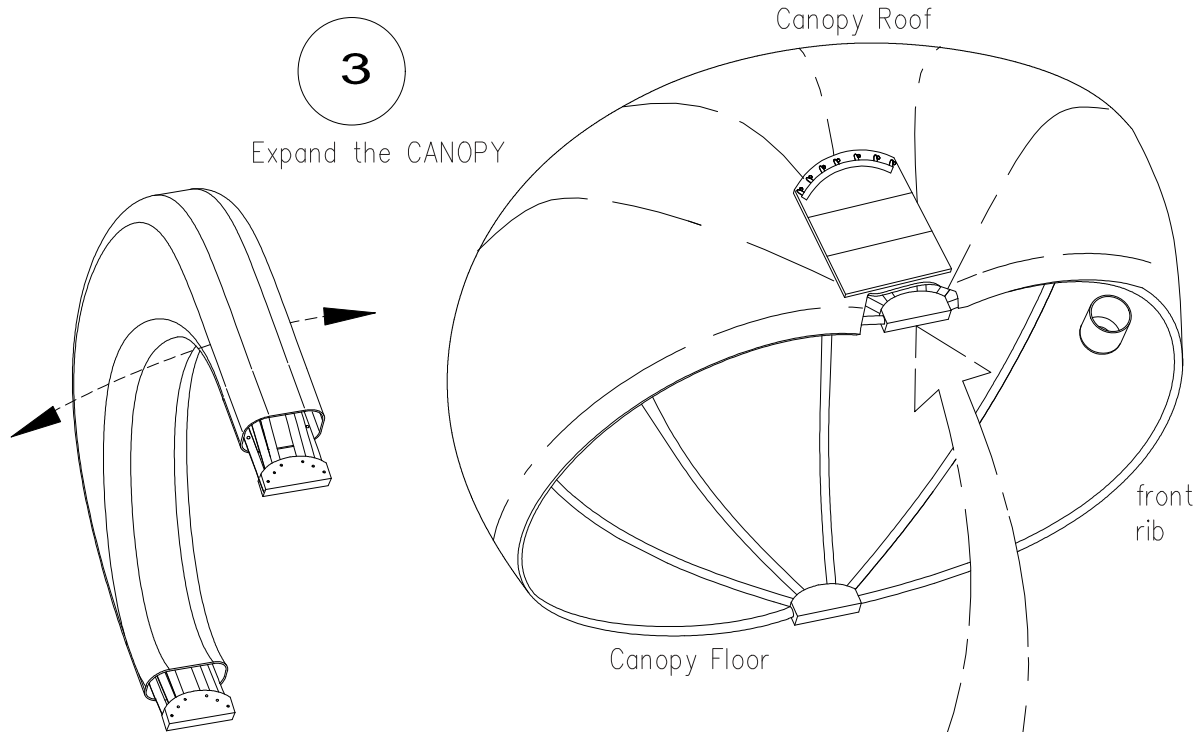
ASSEMBLY (cont.)

2

Place FRONT RAIL on the floor,
Insert ROUND BOLTS



ASSEMBLY (cont.)



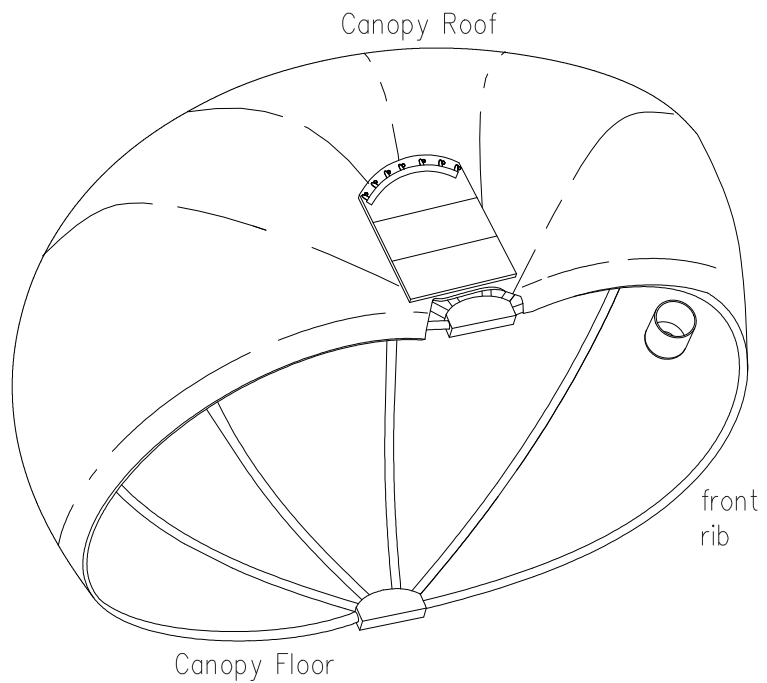
TOP

4

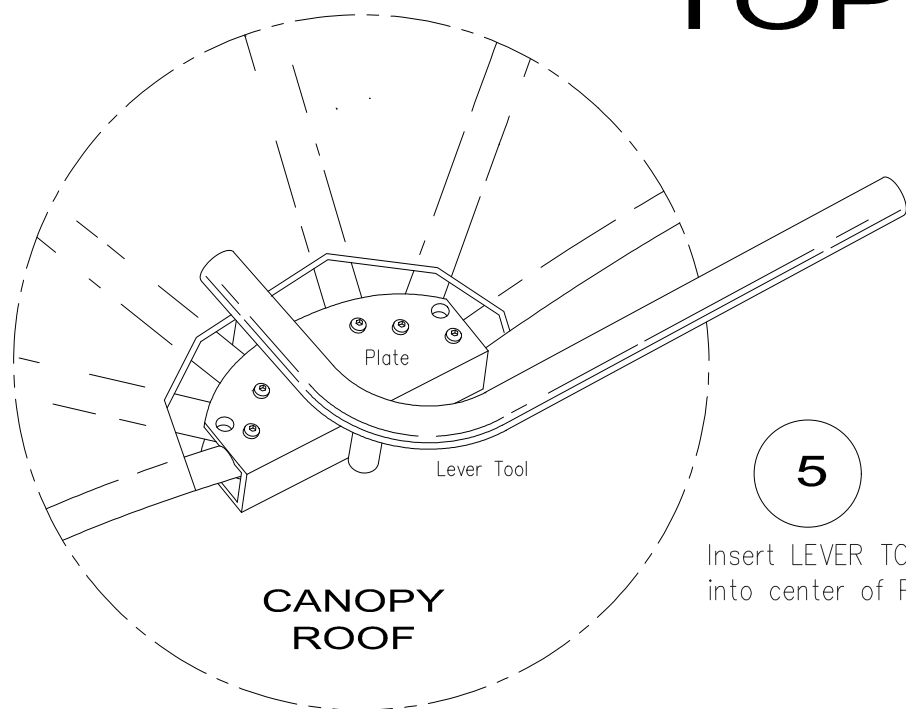
Attach the FRONT RIBS to PLATE with ROUND BOLTS and NUTS

5.

ASSEMBLY (cont.)

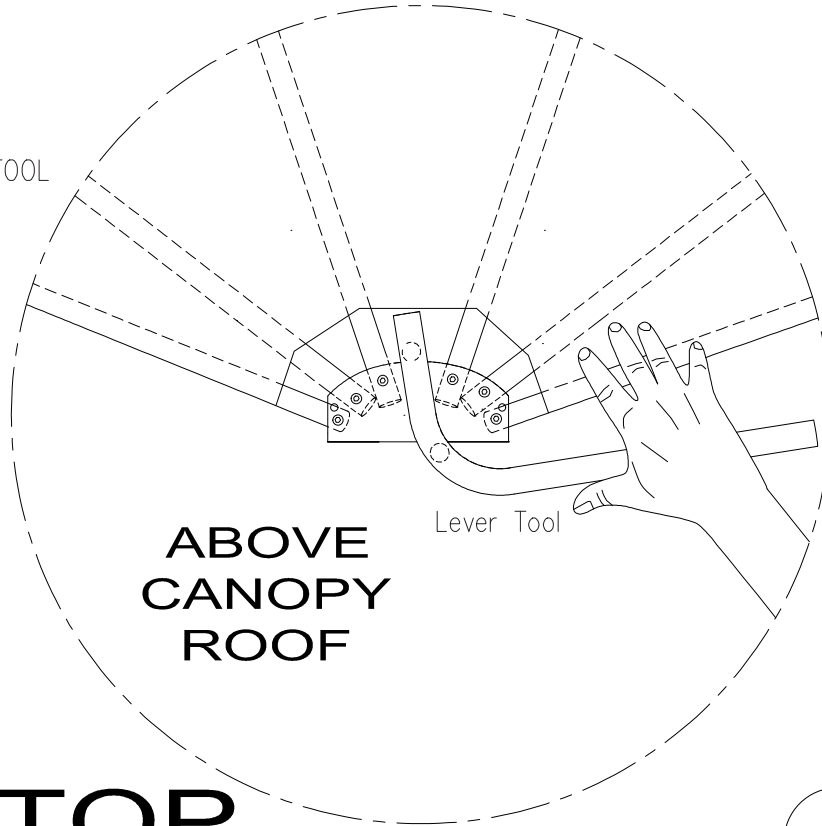


TOP



6

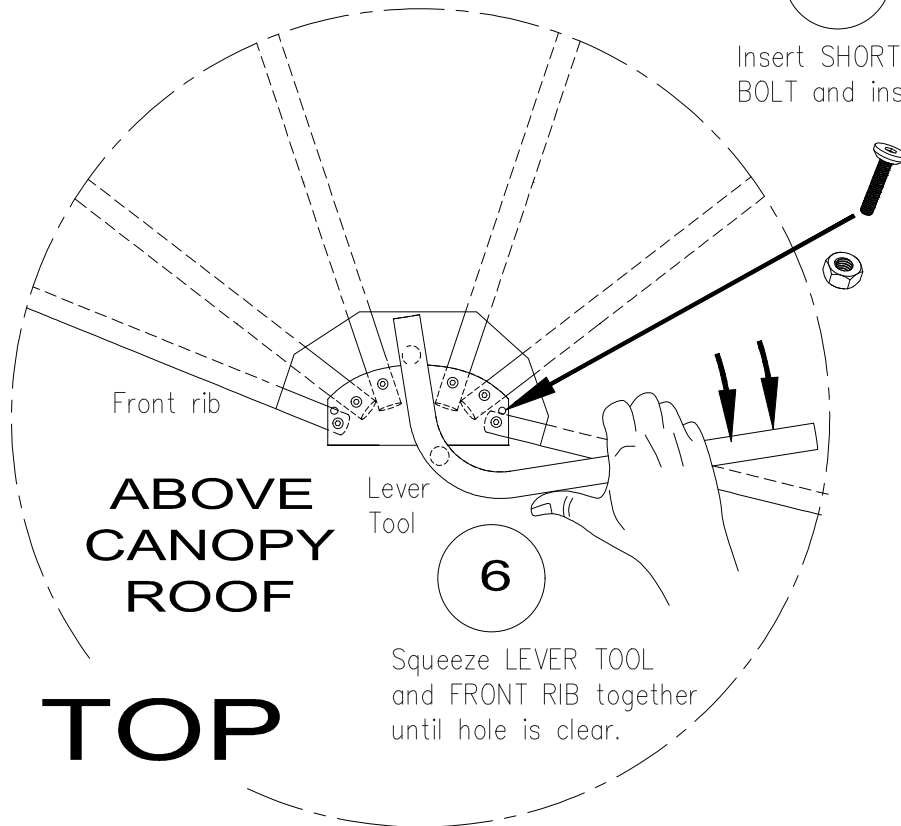
Grasp LEVER TOOL and FIRST RIB



TOP

7

Insert SHORT FLAT HEAD BOLT and install NUT.

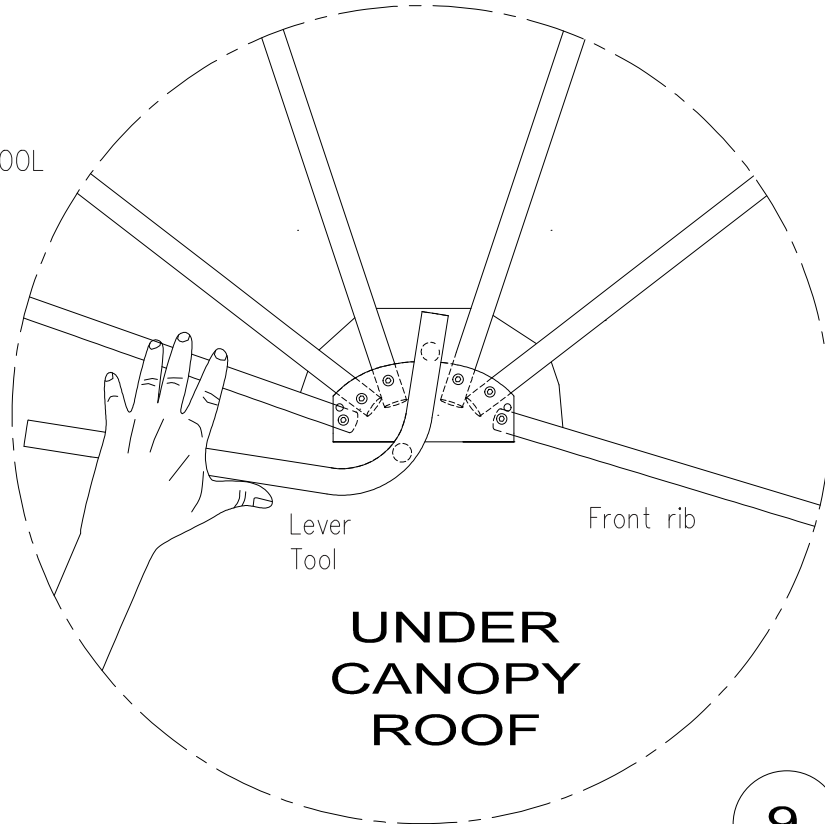


TOP

Squeeze LEVER TOOL and FRONT RIB together until hole is clear.

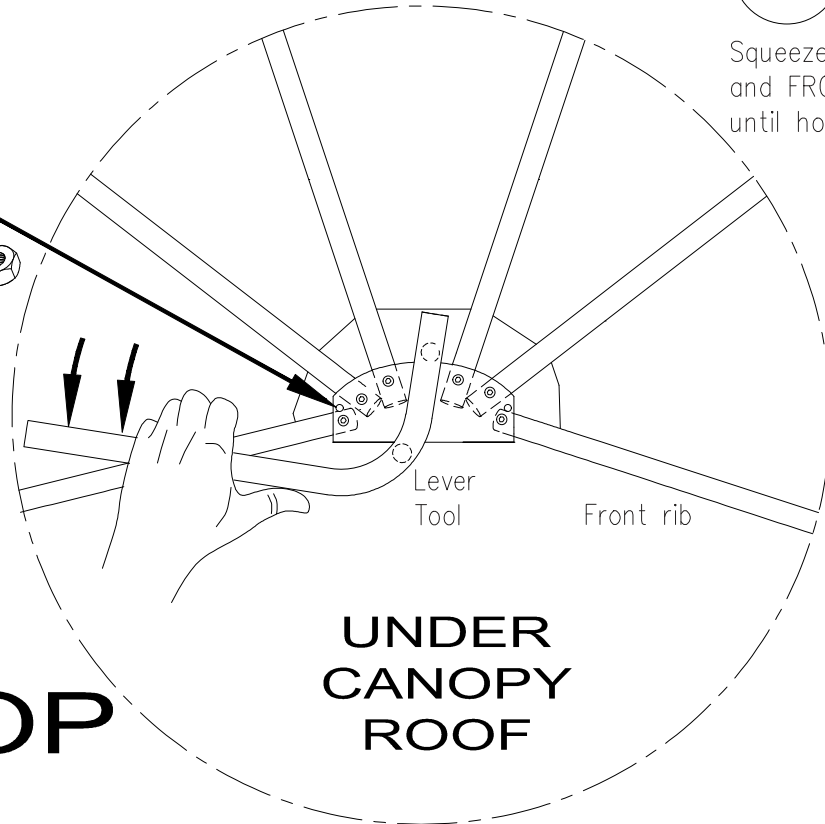
8

Grasp LEVER TOOL
and FIRST RIB



9

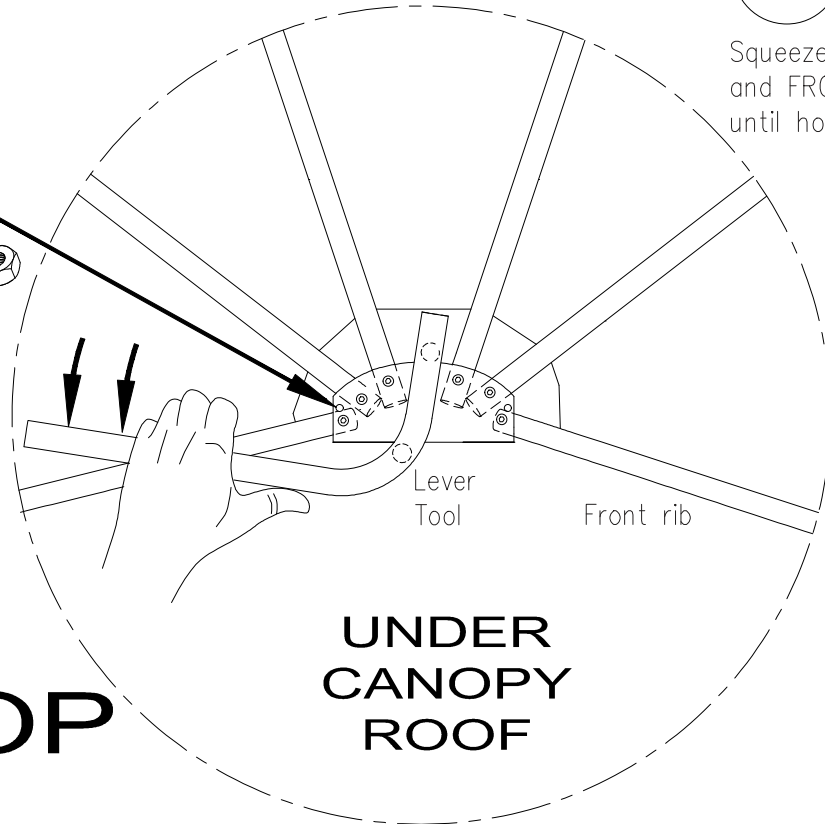
Squeeze LEVER TOOL
and FRONT RIB together
until hole is clear.



10

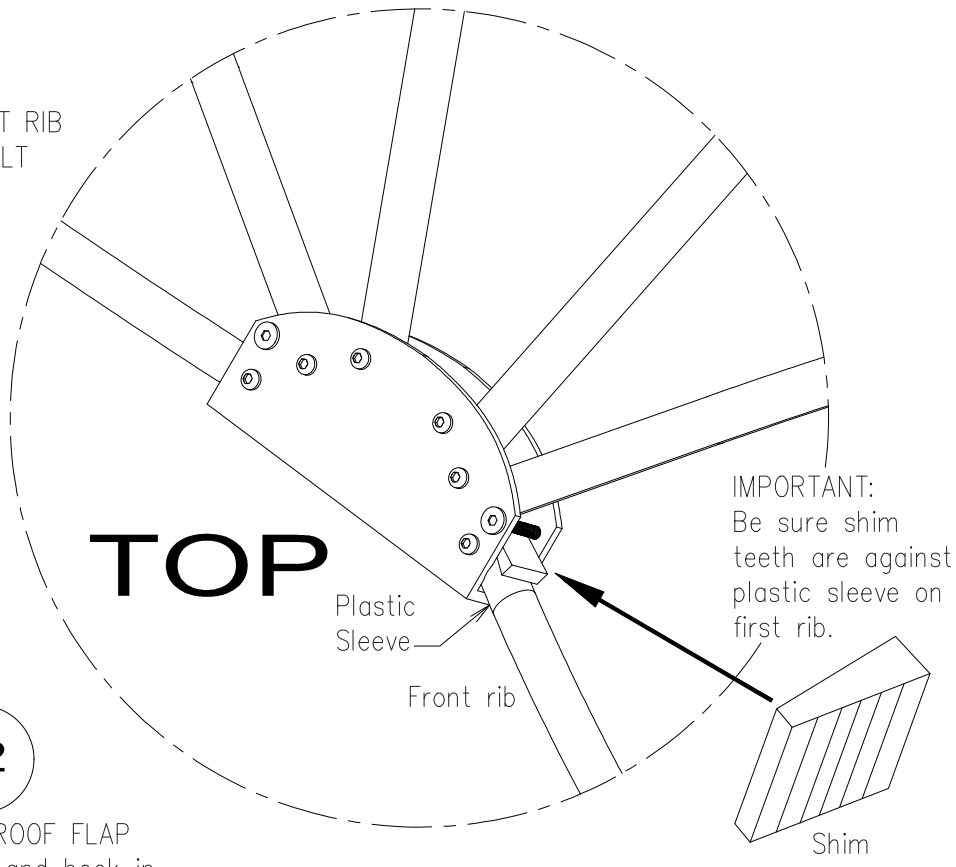
Insert SHORT
FLAT HEAD
BOLT and
install NUT.

TOP



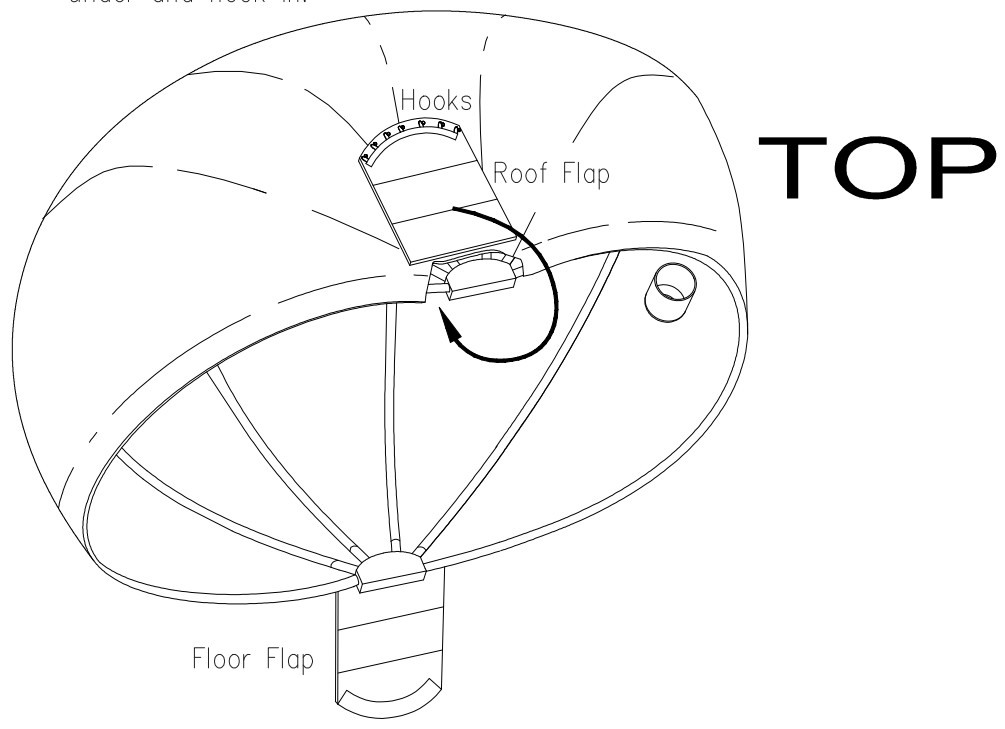
11

Insert SHIM between FIRST RIB and LONG BOLT (optional)



12

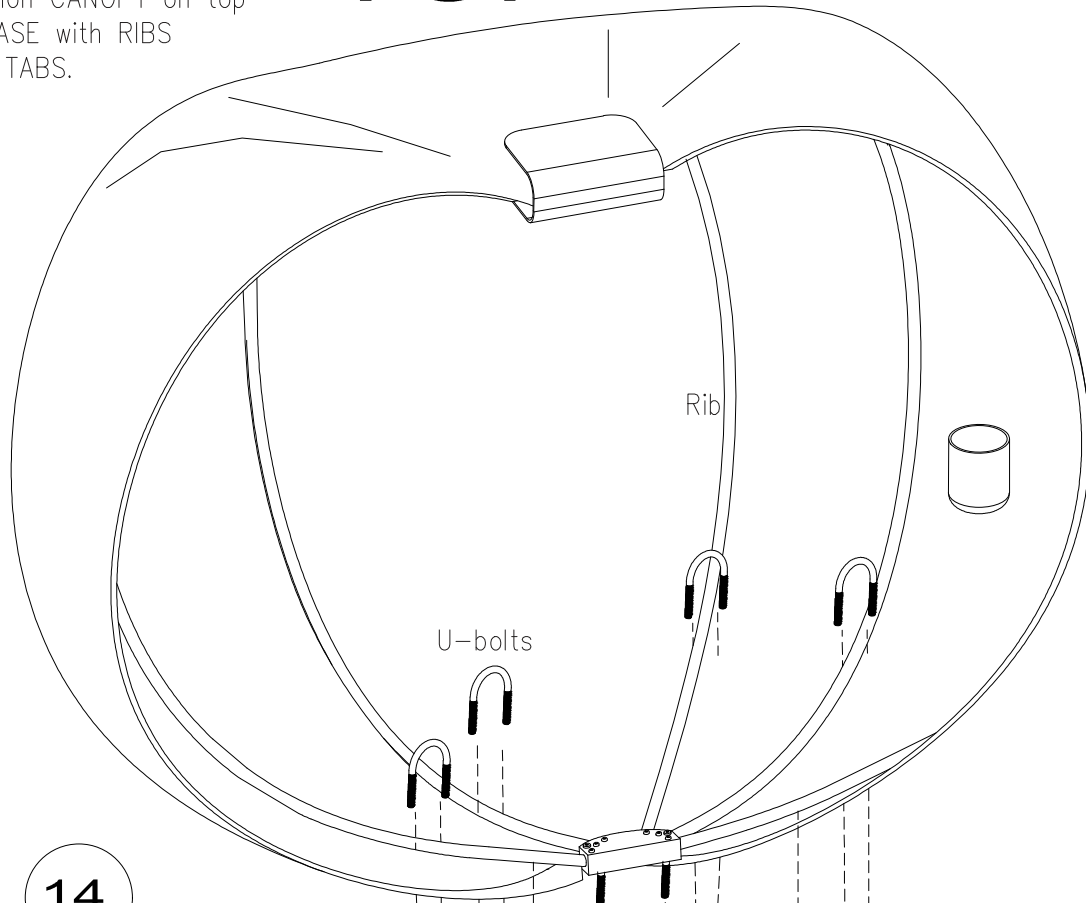
Tuck ROOF FLAP under and hook in.



13

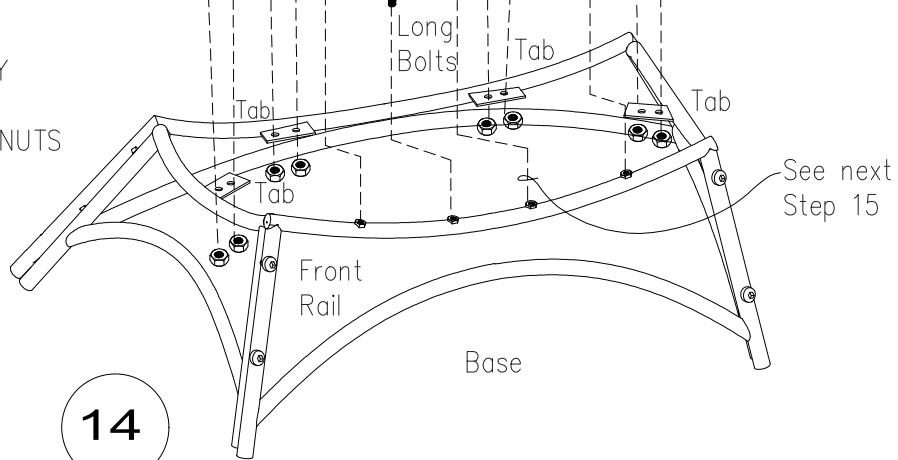
Position CANOPY on top of BASE with RIBS over TABS.

TOP



14

Secure CANOPY to BASE with U-BOLTS and NUTS into the TABS.

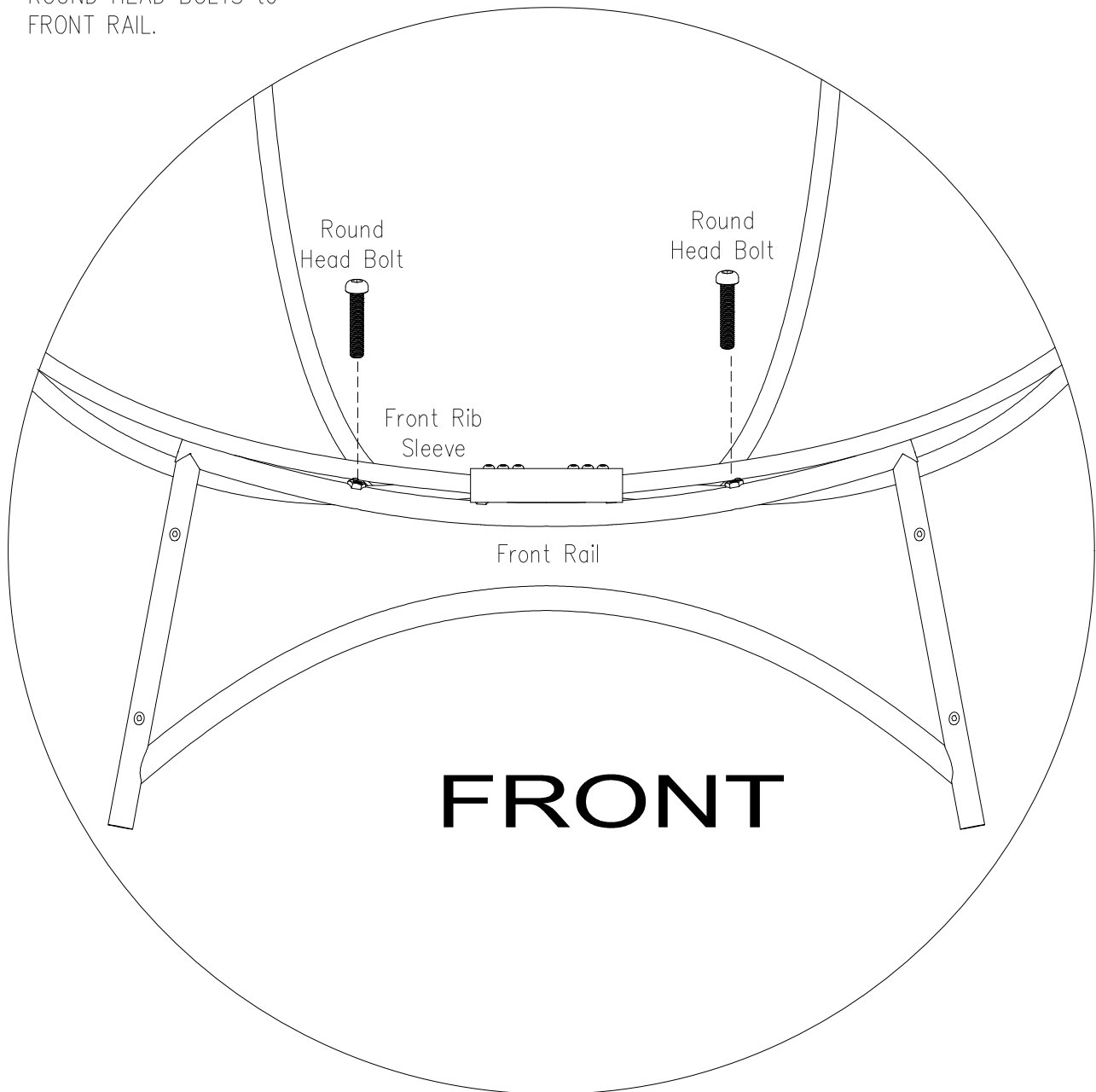


14

Feed FLOOR FLAP between LONG BOLTS and FRONT RAIL and Secure CANOPY to BASE with LONG BOLTS.

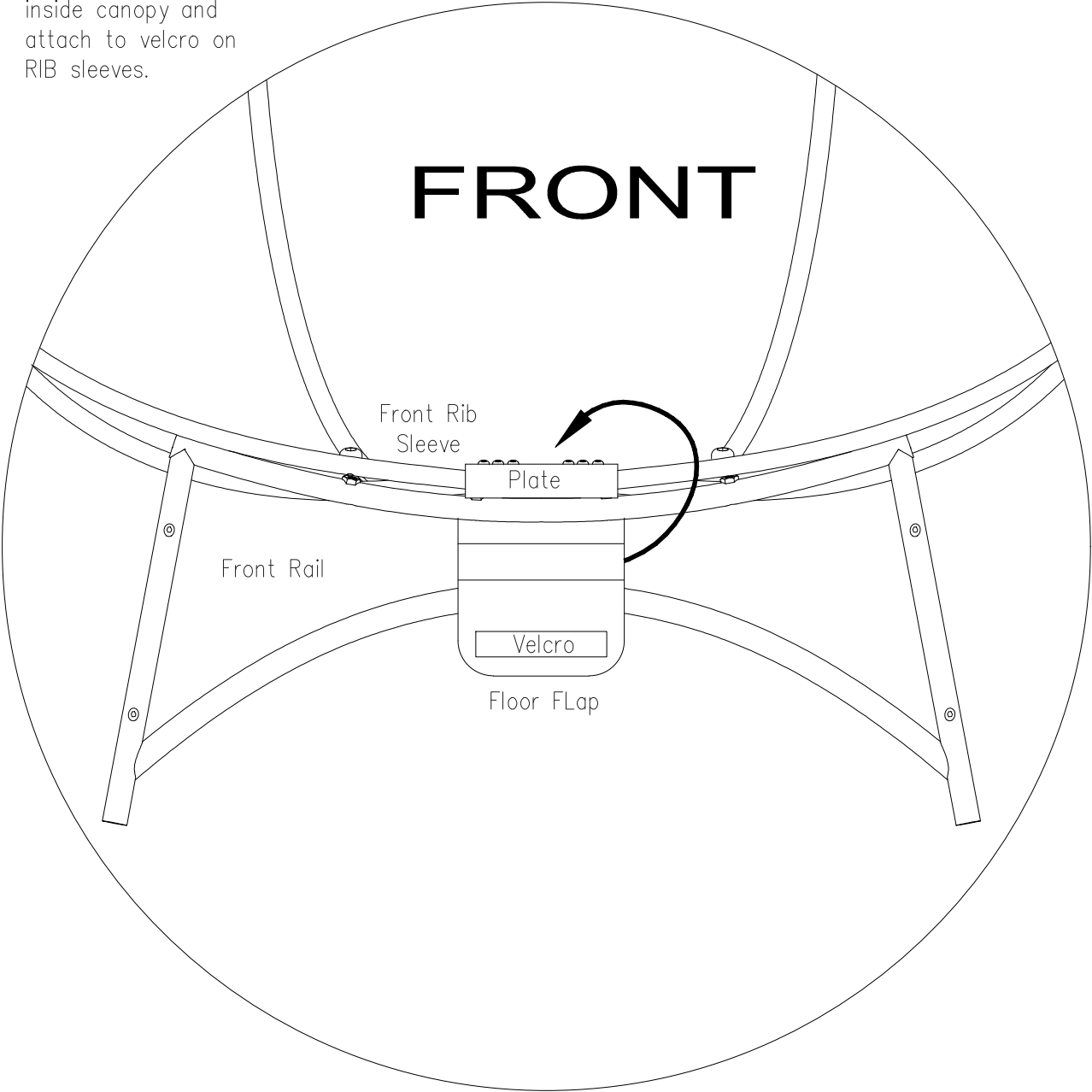
15

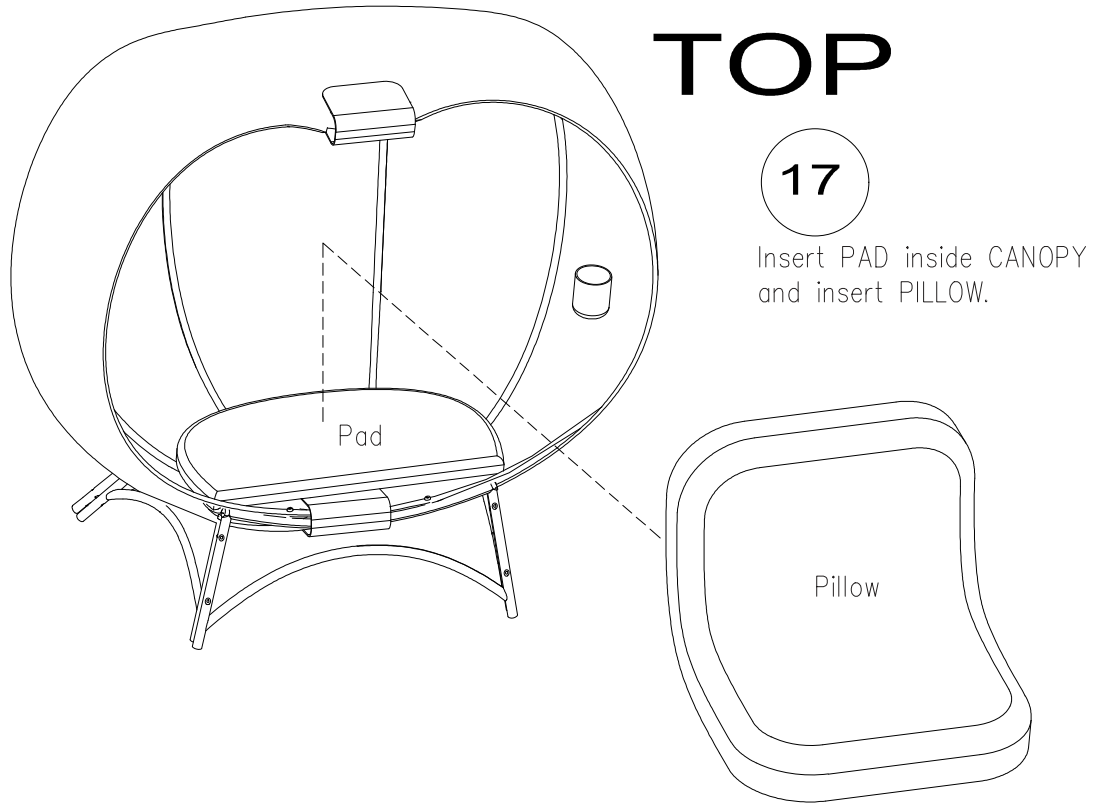
Position FRONT RIB on
FRONT RAIL and insert
ROUND HEAD BOLTS to
FRONT RAIL.



16

Fold FLOOR FLAP
inside canopy and
attach to velcro on
RIB sleeves.





ROUTINE MAINTENANCE

Check to see that all nuts and bolts are tight - tighten if loose.

DISCLAIMER

This Manual relates solely and exclusively to the Chair including but not limited to the operation thereof. Failure to adhere to this manual or to properly focus on the operation of the Chair can result in death, serious injury and property damage. Always operate the Chair in a safe manner and in full compliance with this manual. We are not liable for any injuries or damages to any operators, property or bystanders incurred as a result of using the Chair by its customers. We also cannot be held liable for any and all errors in this manual or for any incidental or consequential damages that result for the use of the material presented in this manual. This manual contains proprietary information belonging solely and exclusively to us. All rights are reserved. No part of this manual may be photocopied, reproduced or translated to another language without our written consent.