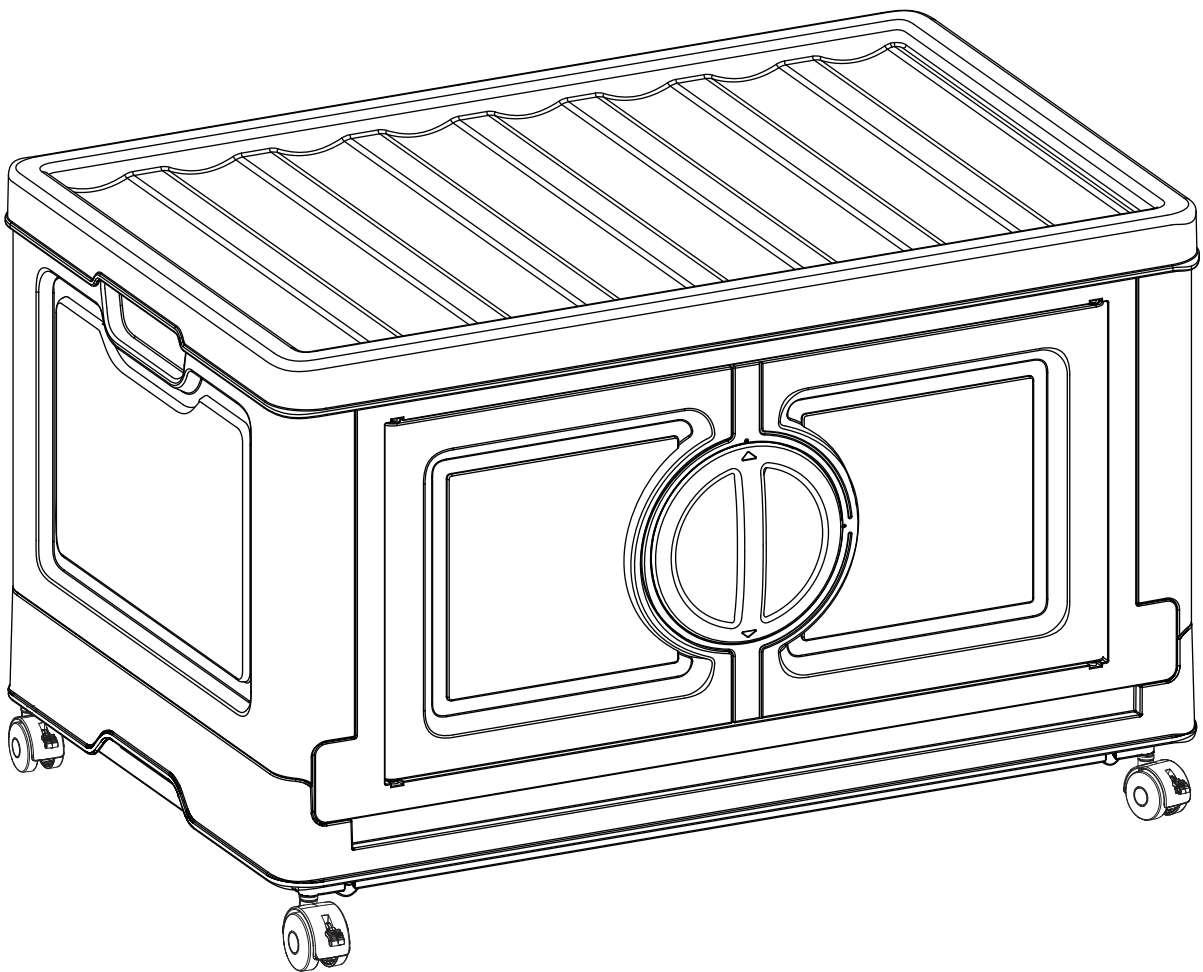


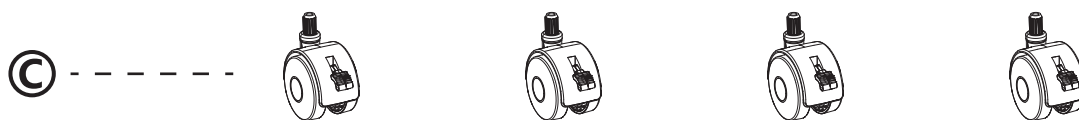
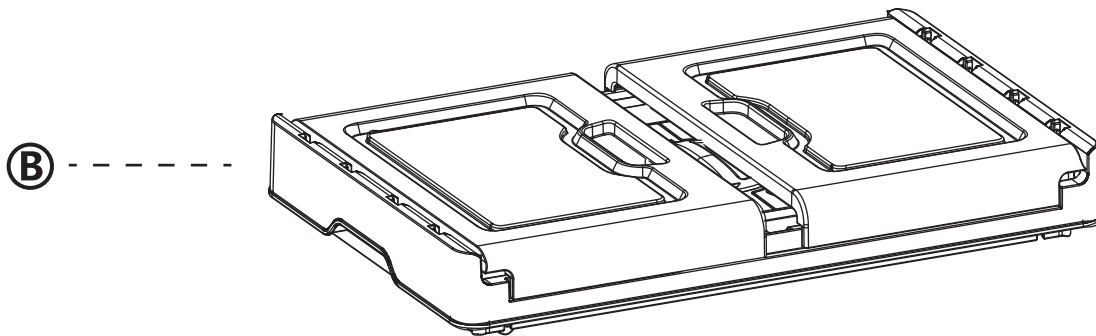
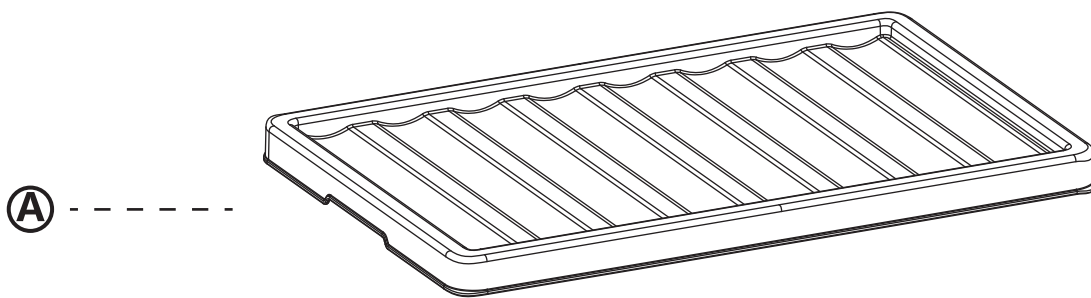
**Jeko & Jeko**



**USER MANUAL**  
**Folding Storage Box**

# Parts List

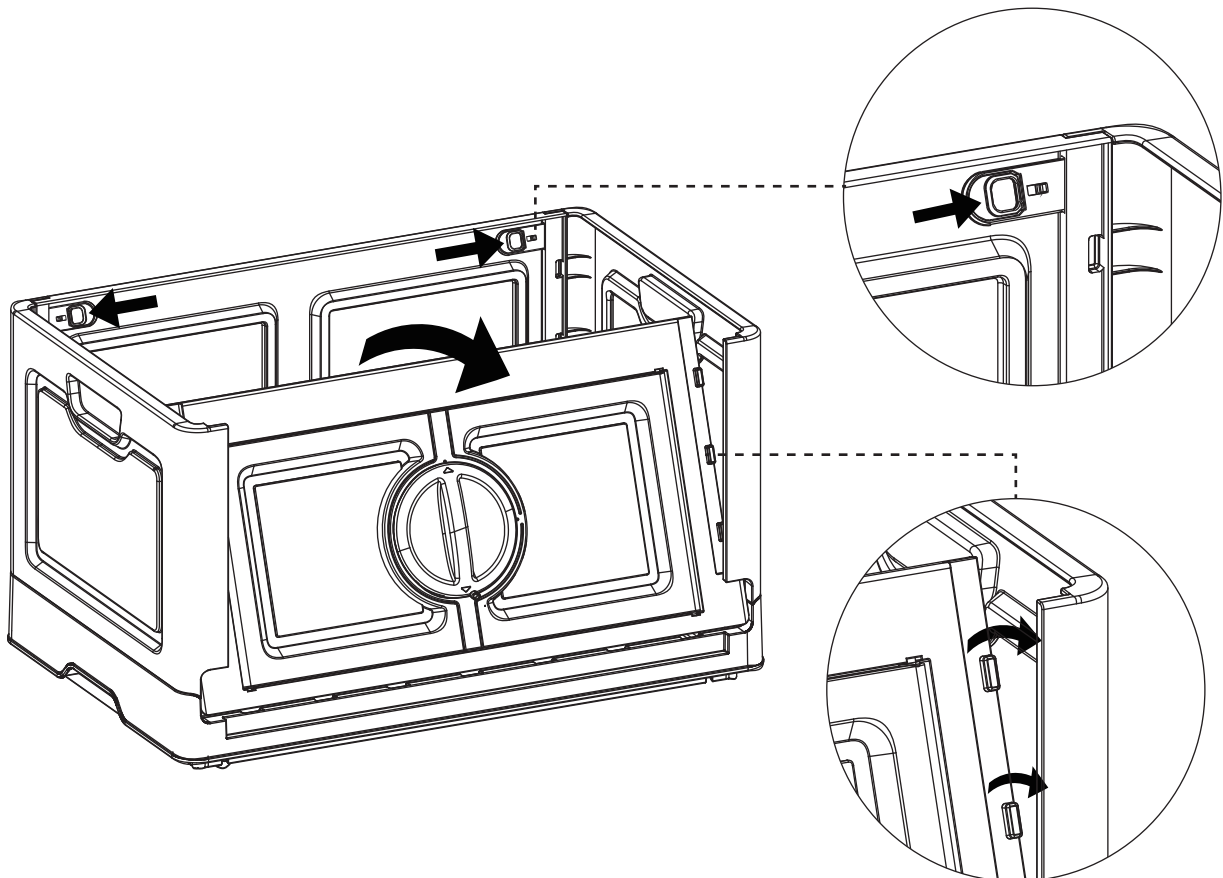
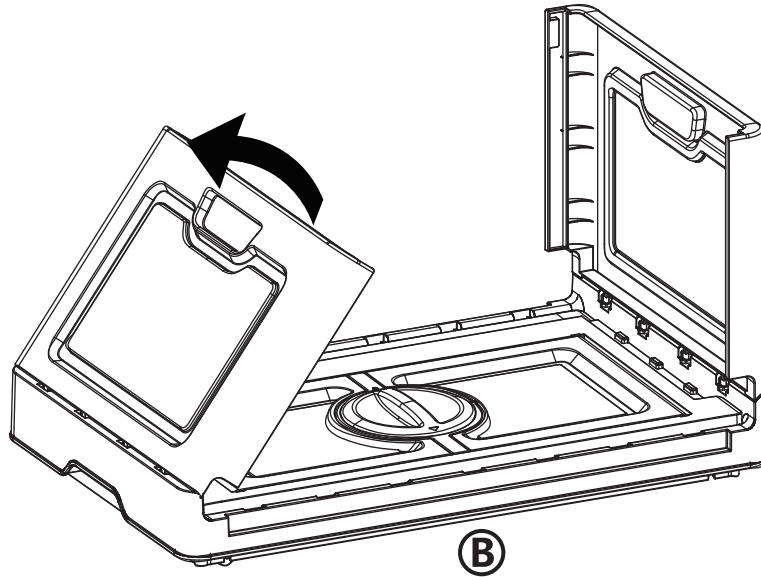
Please check if all parts are included as shown below.  
Should any parts miss, please feel free to contact us.



# Assembly Steps

## Step 1

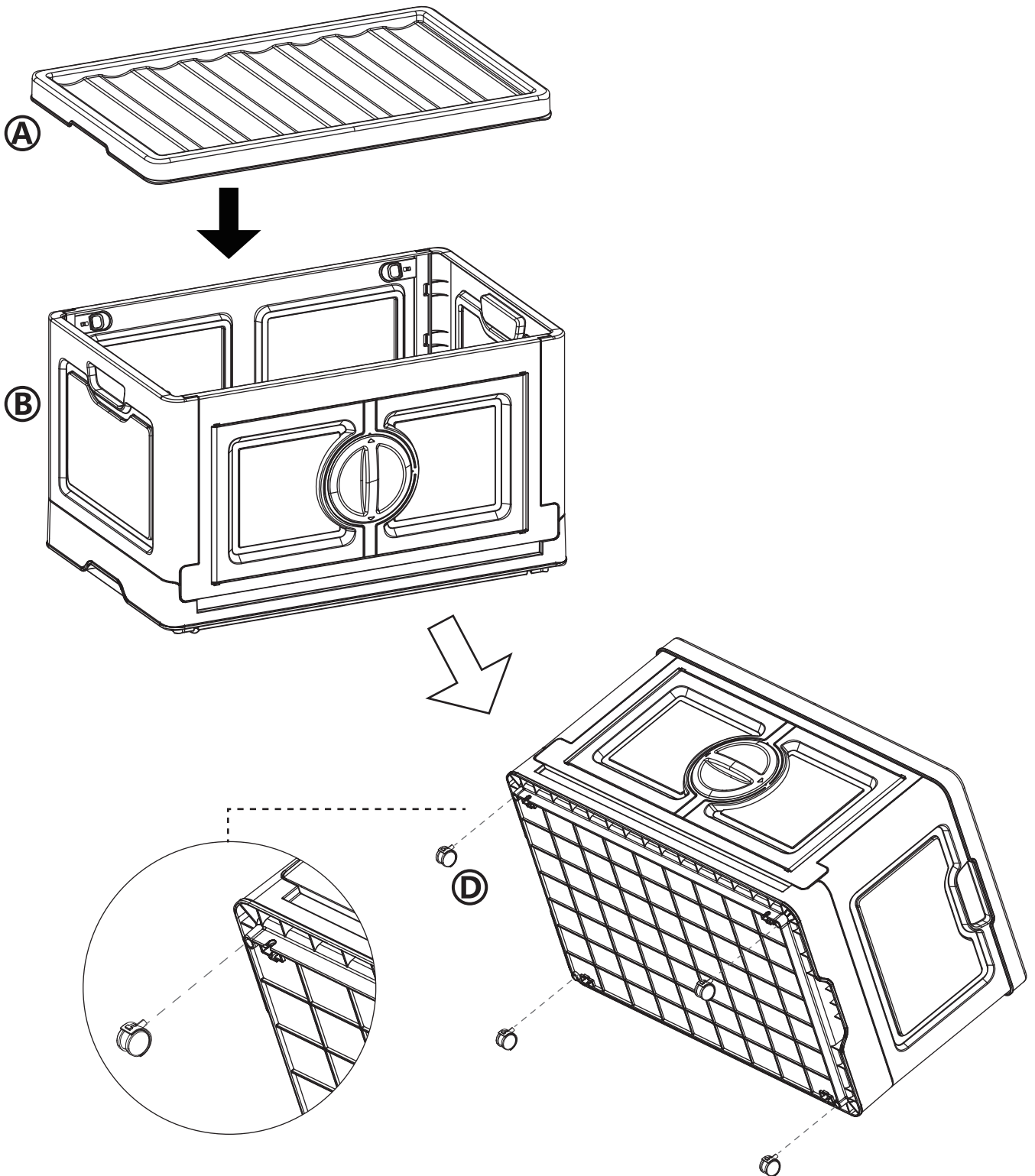
Unfold the 2 side boards, front board, rear board successively. Then move the 4 lock sliders on the front board and rear board outwards to lock the 4 boards.



# Assembly Steps

**Step 2**

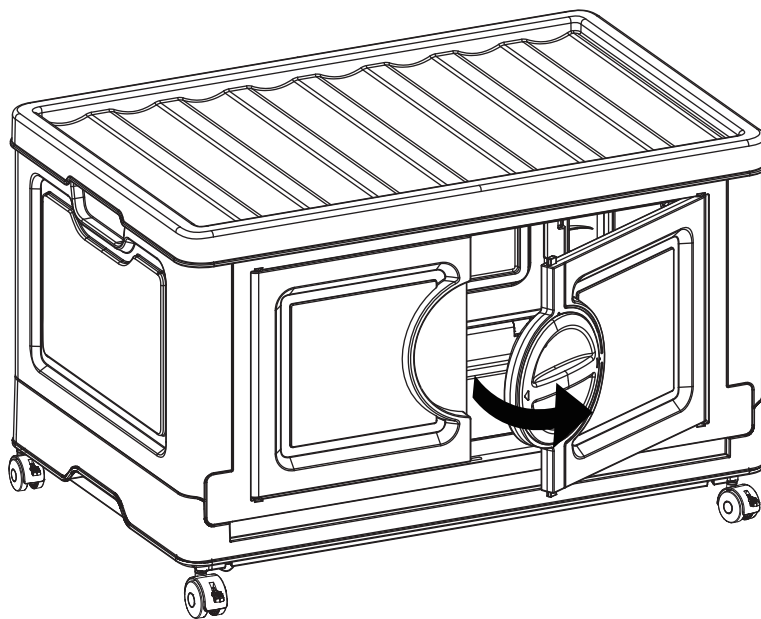
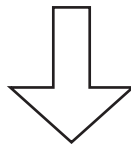
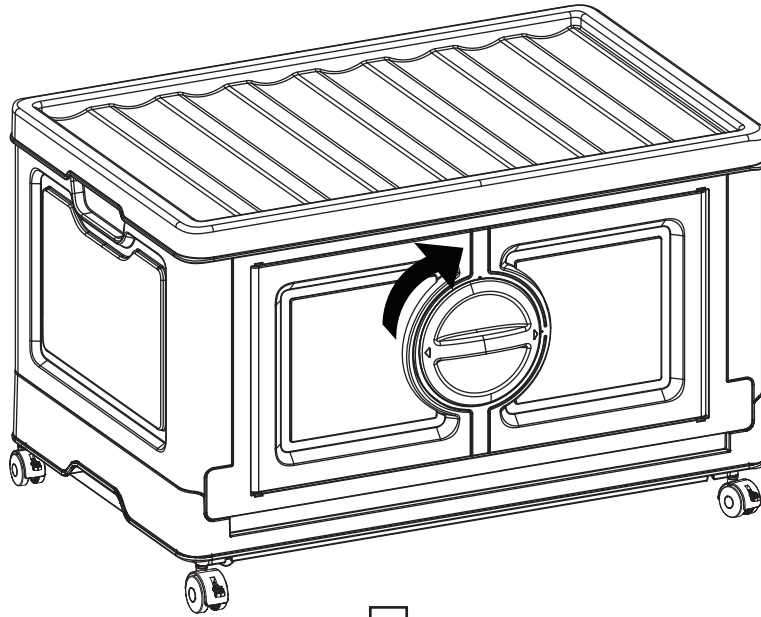
Place the lid over the box, then insert 4 wheels to the bottom of the box.



# Usage

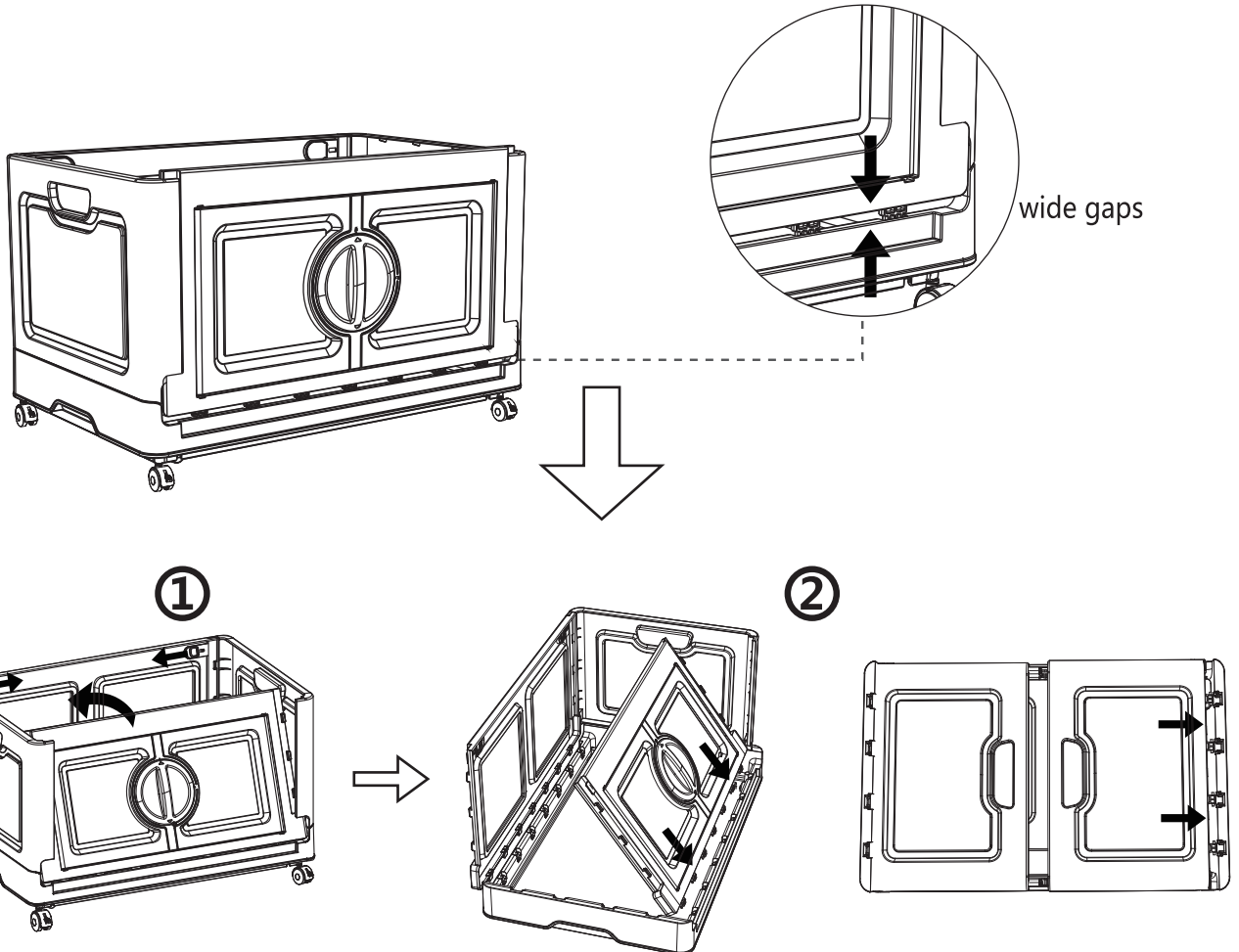
## Usage

Rotate the door handle 90 degrees clockwise and then pull it to open the doors.



# Notes

**Note 1:** If there is any obvious wide gaps between the boards and the bottom, please follow the steps below to put the boards back.



Move the lock sliders as shown to unlock the dislocated boards.

Insert the front/rear board back to place at a 45° angle.

Lay the side boards flat and push them back to place.

**Note 2:** If a door was dislocated, please tilt the door and fit one tenon on the door into a mortise as shown below. Then put another tenon back to place with some force.

