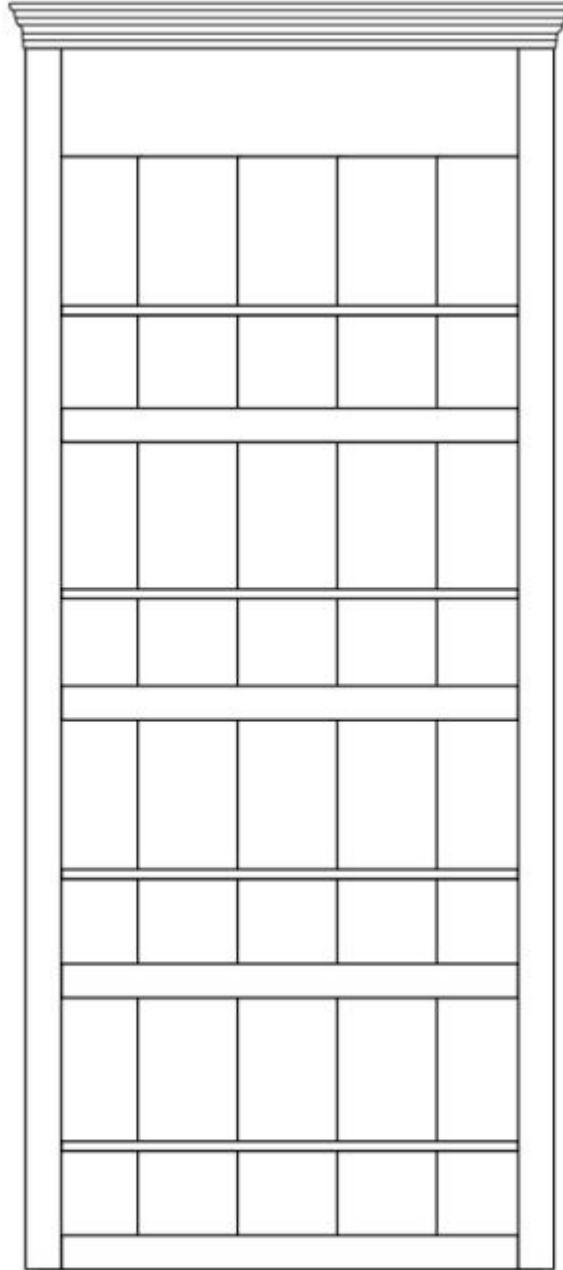


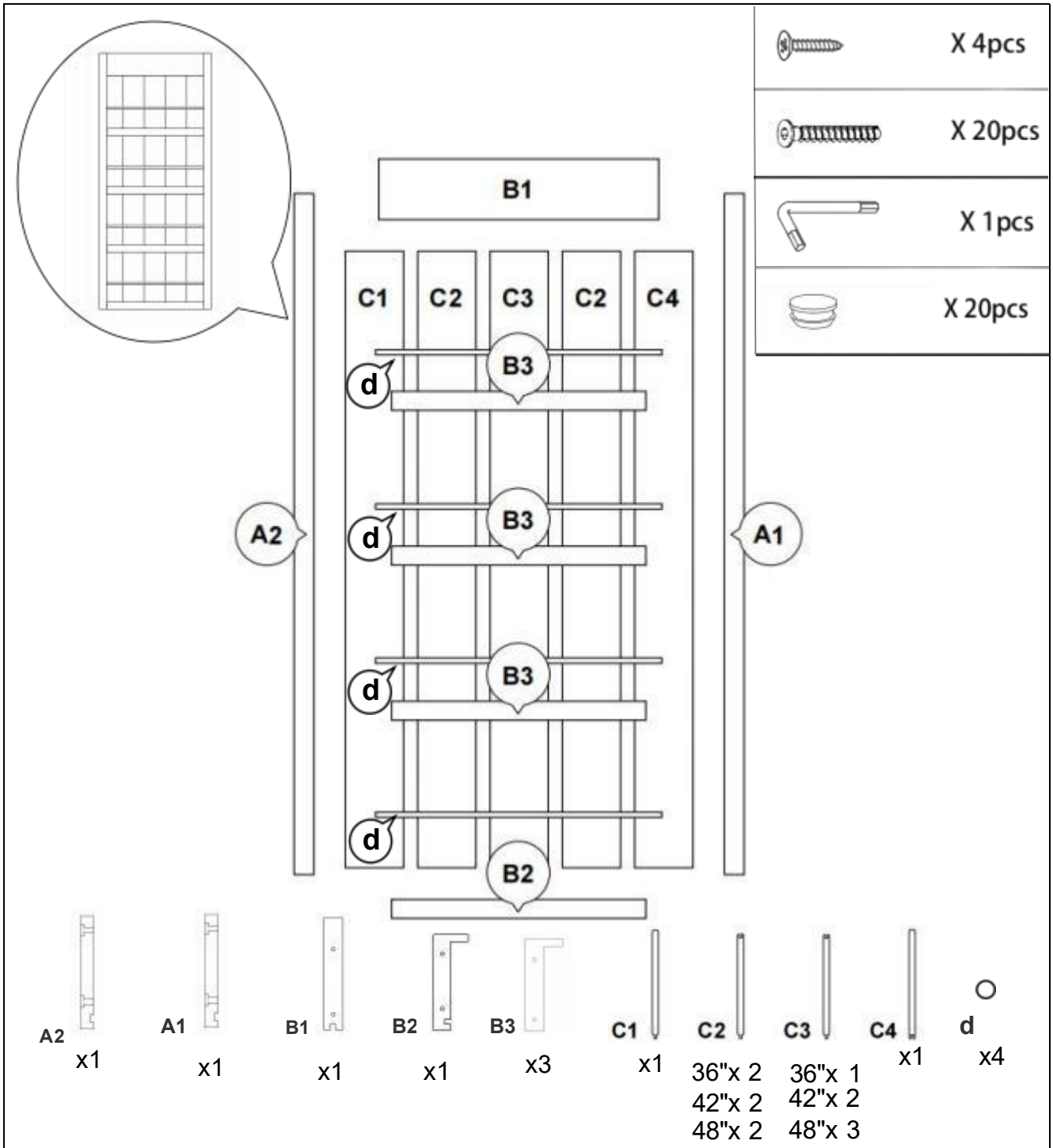
Ghost Sliding Shelf Door Installation Guide



For best results, carefully follow the instructions in this guide. Glue and other adhesives are not required, and we do not recommend their use during the assembly process.

First, remove all parts from the box and place them on a flat, open surface. Then, using the guide drawings at the bottom of this page, identify each slat. Any question please email dooraftersale@gmail.com

DOOR ASSEMBLY INSTRUCTIONS



STEP1: Install Shelf Door Casing

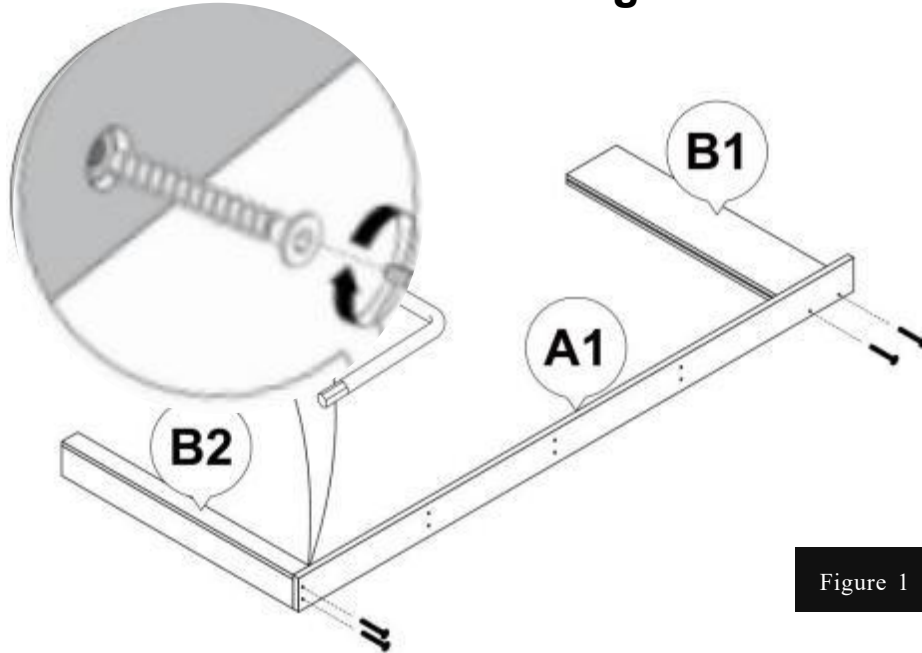


Figure 1

- According to Figure 1, to assemble the “B1” “B2” with the “A1” panel. Each side requires 2 carriage bolts to fix and fasten them with an alley key. Part B1 is designed with three holes at its top end. During installation, ensure that the side positioned closer to the holes is oriented away from the wall.
- **Tips:** The A1’s screw holes is on the right side.

STEP2: Install Bottom Slats

Installation Sequence

The steps are illustrated from right to left.

See Figure 2 for the 36" configuration.

36"	C4 → C2 → C3 → C2 → C1
42"	C4 → C2 → C3 → C3 → C2 → C1
48"	C4 → C3 → C2 → C3 → C2 → C3 → C1

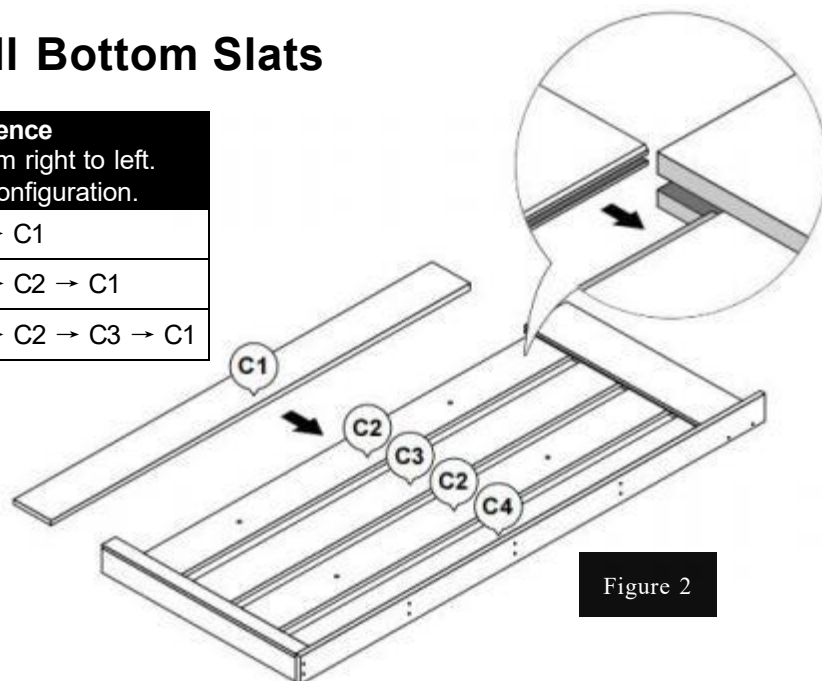


Figure 2

- According to Figure 2, insert all of C1 to C4 into the assembled B1&B2&A1 panels in the order shown.
- **Tips:** Both C2&C3 has groove and tongue. Only C2 has tiny screw holes on the slats.

STEP3: Install Middle Bracket

- According to Figure 3, install 3pcs of B3 at the corresponding positions on the left side of the A1 panel. Each B3 requires 2 carriage bolts and fasten them with an alley key.
- **Tips 1:** Do not overtighten the bolts.
- **Tips 2:** Please note B3 that the raised edge should face upward and outward.

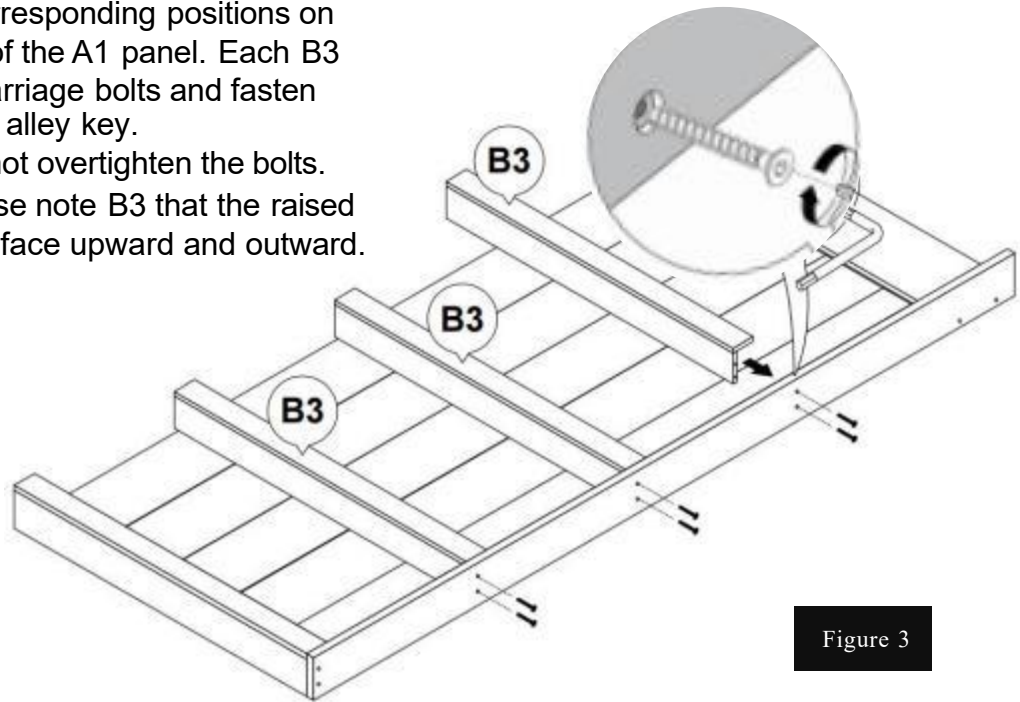


Figure 3

STEP4: Install Black Railing

- According to Figure 4, insert 4 pcs of d into the predrill holes in the A1 panel.

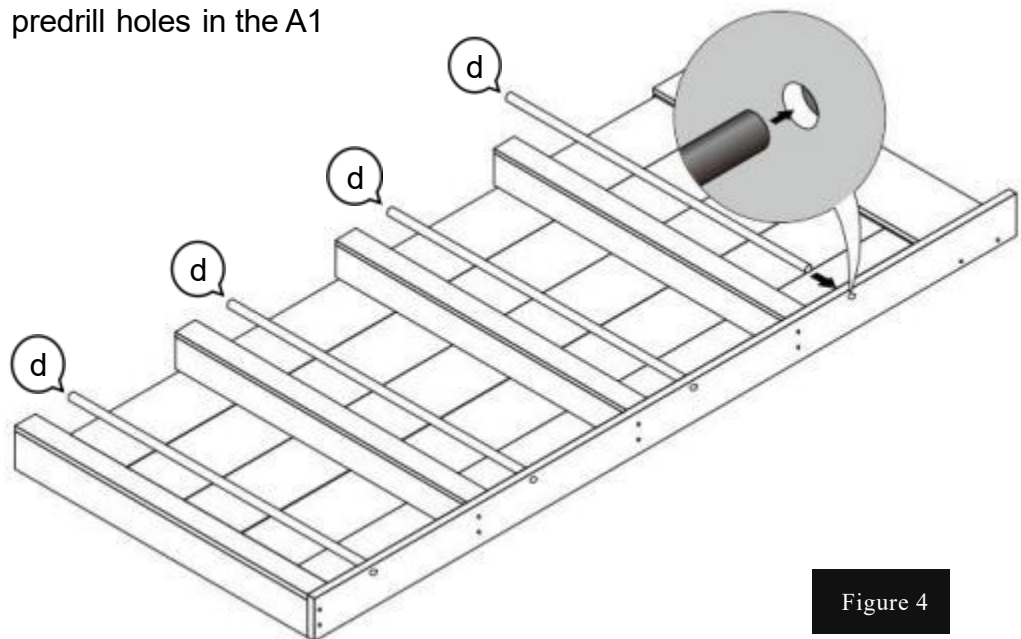


Figure 4

STEP5: Seal The Shelf Door

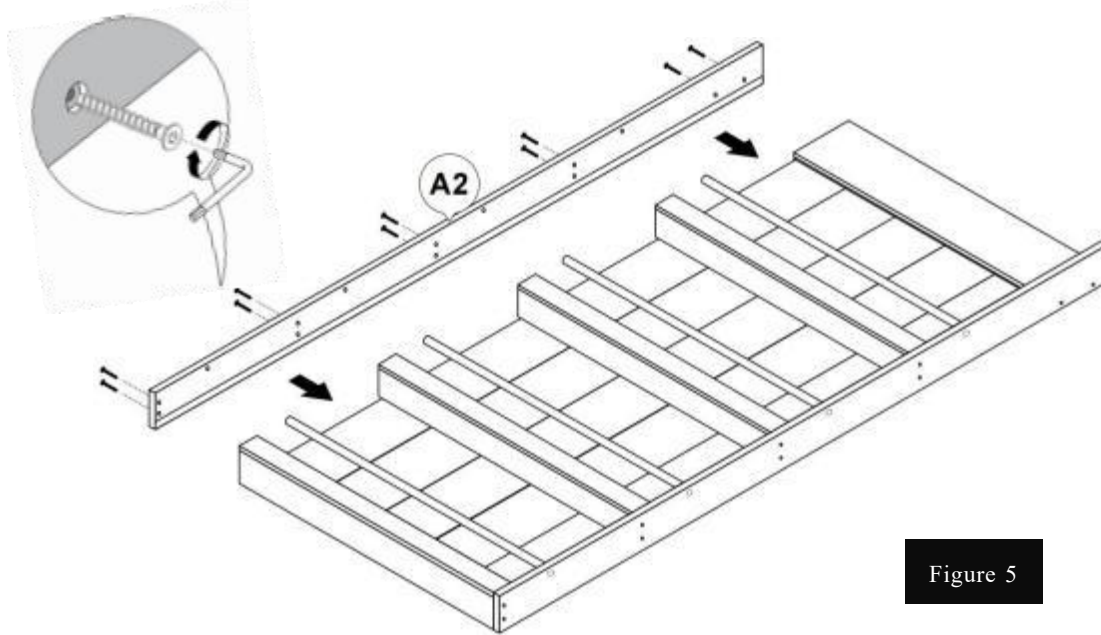


Figure 5

- According to Figure 5, Align and install the A2 with the assembled shelf door. There are 5 positions, each requiring two carriage bolts to fix and tighten with an alley key.

STEP6: Reinforce The Shelf Door

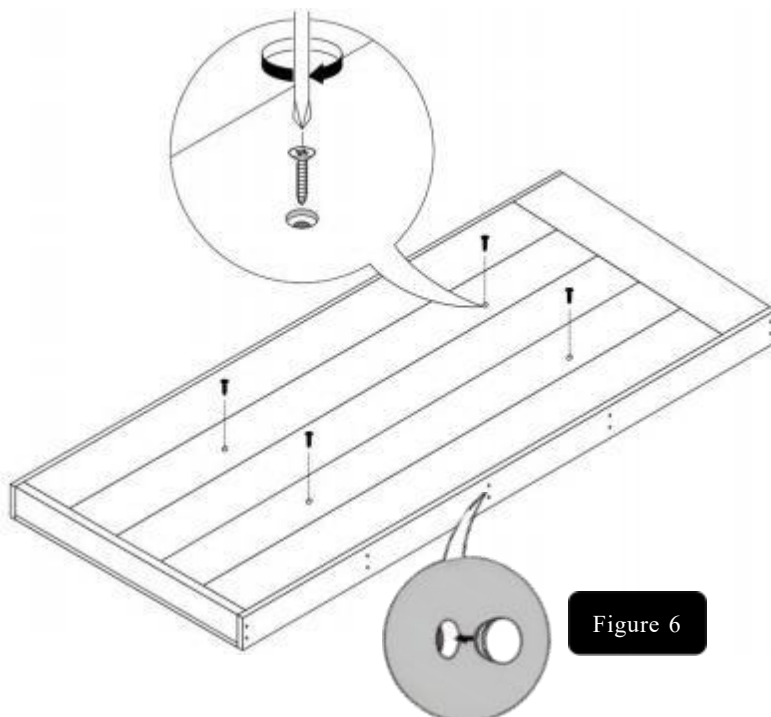
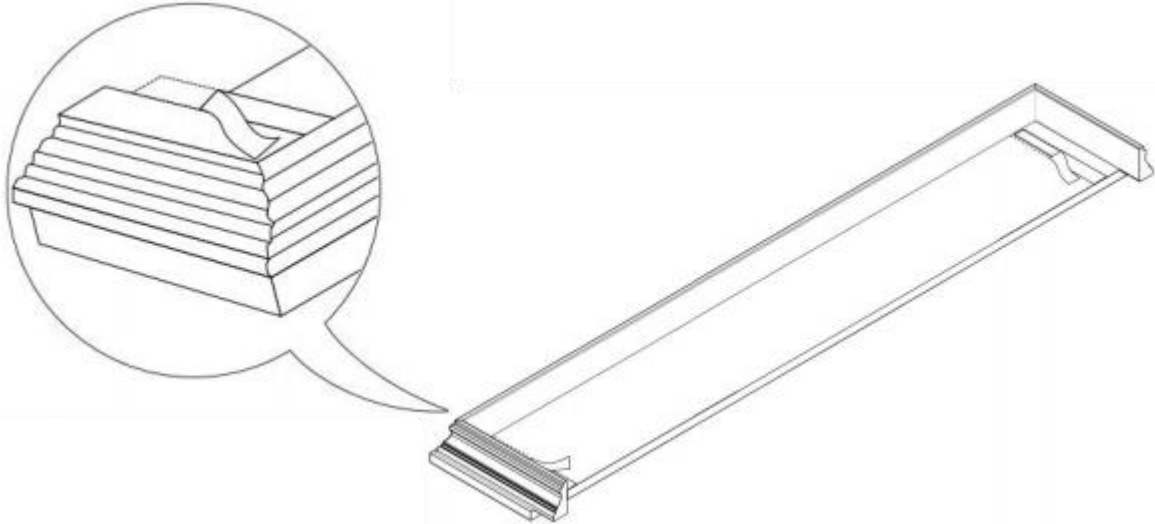


Figure 6

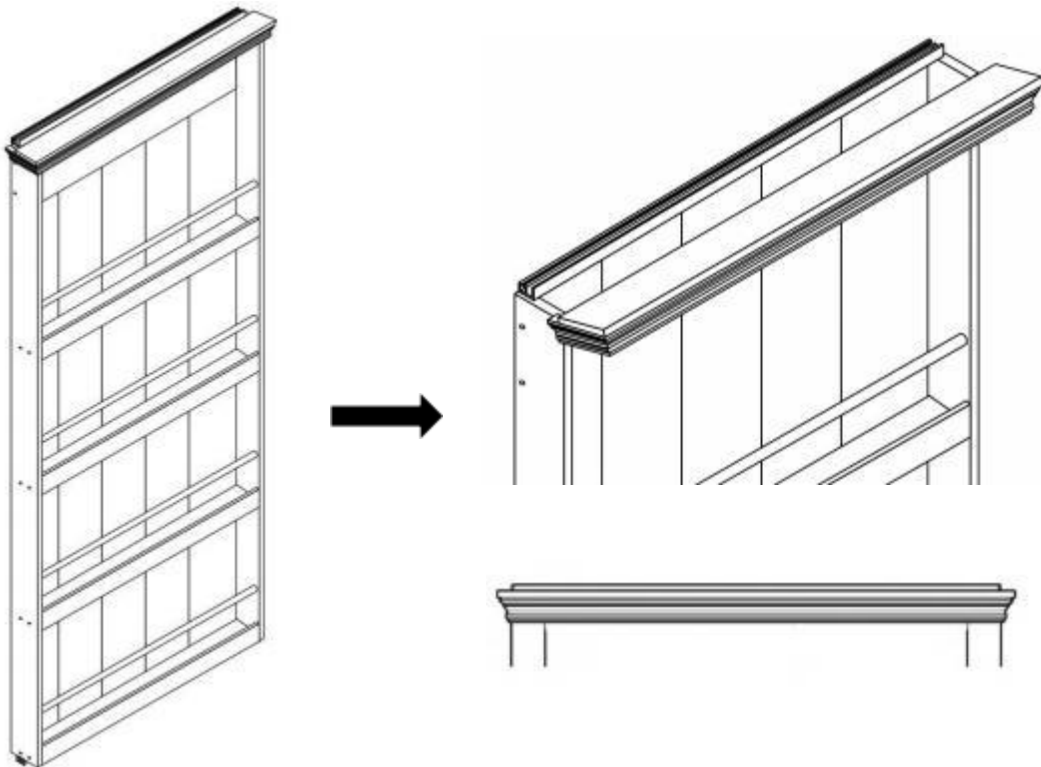
- When you finish the A2 installation, please use four short screws to fasten the C2 slats with B3 as shown in Figure 6.
- **Tips:** You need a screwdriver.
- Insert the hole plugs into the pre-drilled holes, using 10 plugs on each side, totaling 20 pieces.

STEP7: Install Decorative Header

Tips: Install it after hand the door



- Remove the sticker covers in the both end of the header



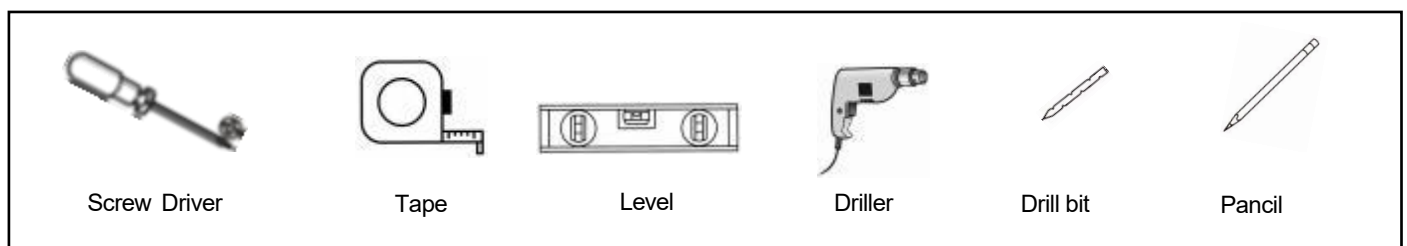
- Tilt the header and secure one side to the door. Then press the other side firmly into place, ensuring both ends are properly affixed for a secure installation.

Ghost Door Hardware Installation Guide

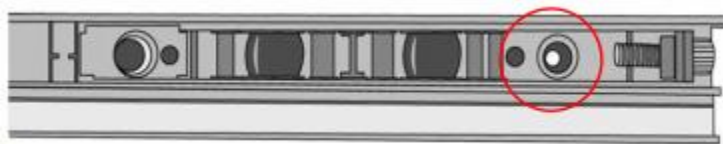
WHAT'S INCLUDED



TOOLS REQUIRED



STEP 1: Install Bottom Wheels



- Press the Bottom Wheels into bottom track. Face the wheels outward, make sure the hole align with screw hole of the track.
- Replicate the step for the other wheel at another end of bottom track.

STEP 2: Install Tracks to Shelf Door (Door Assembly Manual Came Separately)

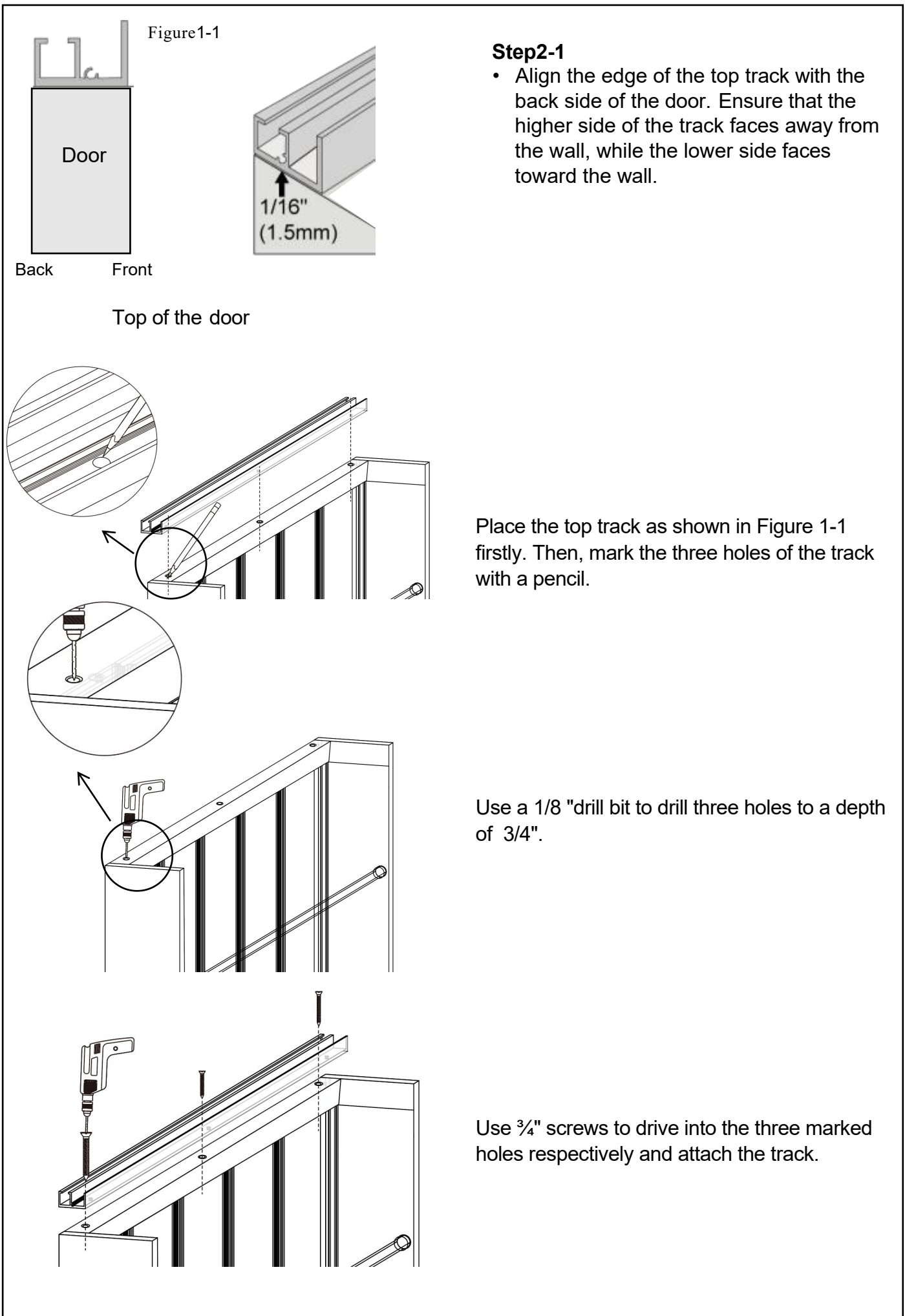
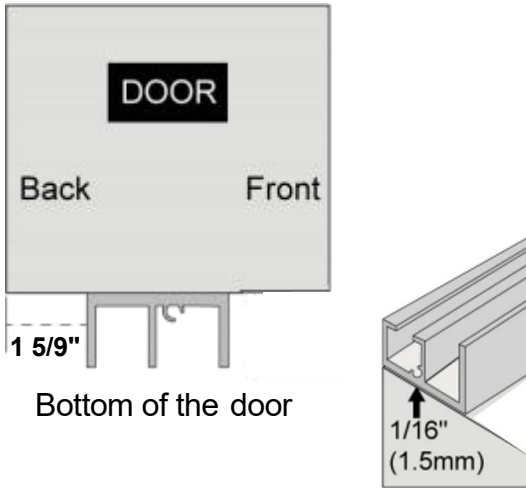


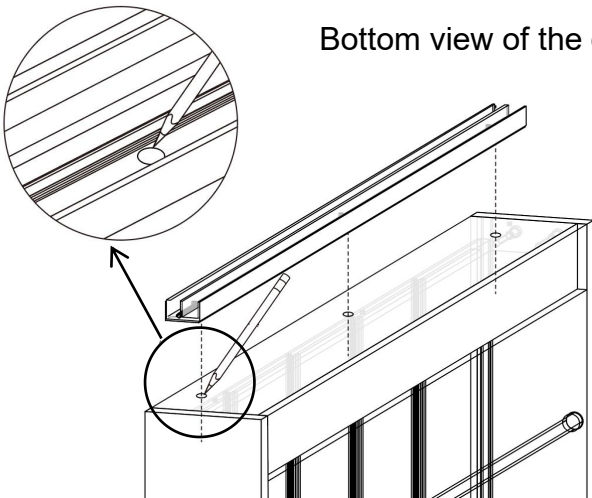
Figure2-1



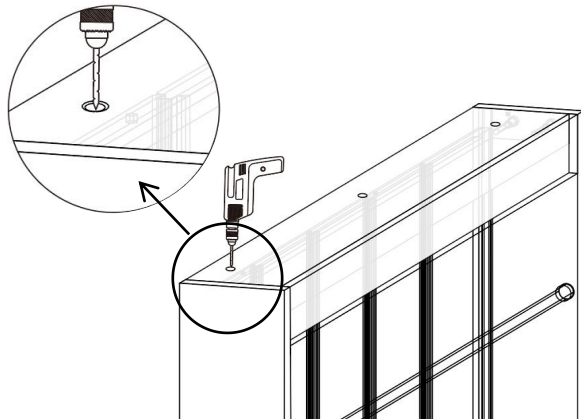
Step2-2

- The edge of the bottom track should be $1\frac{5}{9}$ " (39.5mm) away from the back of the door.
- Leave a gap of $\frac{1}{16}$ " (1.5mm) from the bottom stile side to the edge of track. Both end should have same $\frac{1}{16}$ " (1.5mm) gap

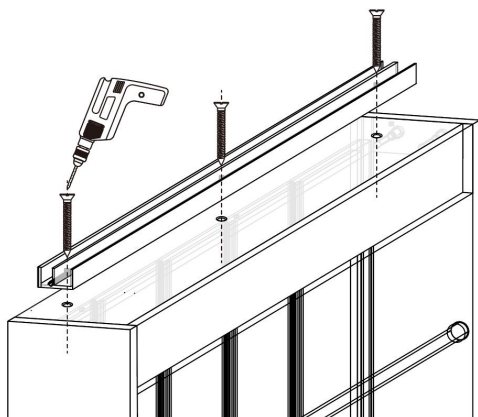
Bottom view of the door



Place the bottom track as shown in Figure 2-1 firstly. Then, mark the three holes of the track with a pencil.

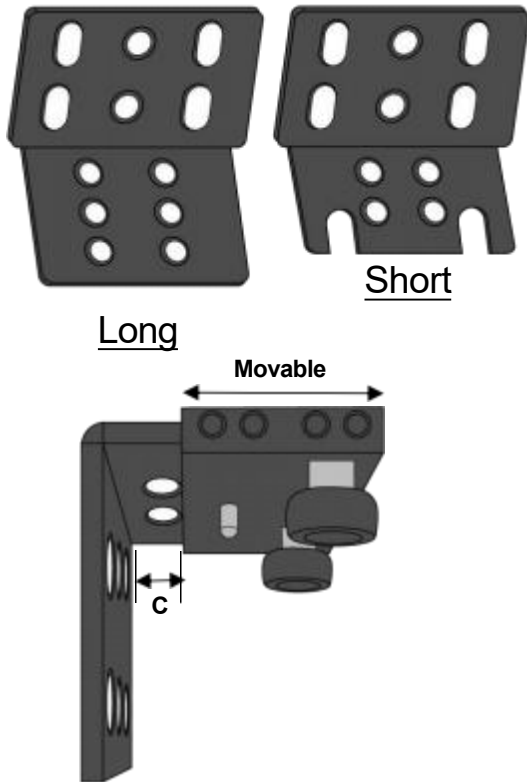


Use a $\frac{1}{8}$ " drill bit to drill three holes to a depth of $\frac{3}{4}$ ".



Use $\frac{3}{4}$ " screws to drive into the three marked holes respectively and attach the track.

STEP 3: Choose the Correct Wall Mount

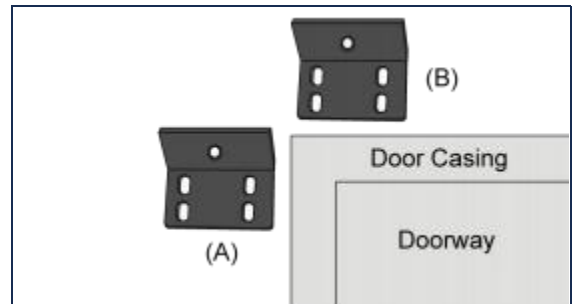


- Our product comes with 2 wall mount. They are designed for different distance to wall to accommodate different door casing. The wall mount is installed on the wall, not door casing.
- **Tips:** If door casing <math>< 1/2''</math> thick or no door casing (door to wall gap <math>< 9/16''</math>), use the short one. If door casing >math>1/2''</math> thick and thinner than $1\ 3/16''$, use the longer one.
- **Use:** Insert the wheel to the chosen wall mount (the wheel face outside), adjust the width of the gap. If you wish door to wall gap of **X inch**, adjust C (see graph) to X inch. Then fasten the screws with 2mm allen key.

STEP 4: Install Wall Mount & Floor Guide

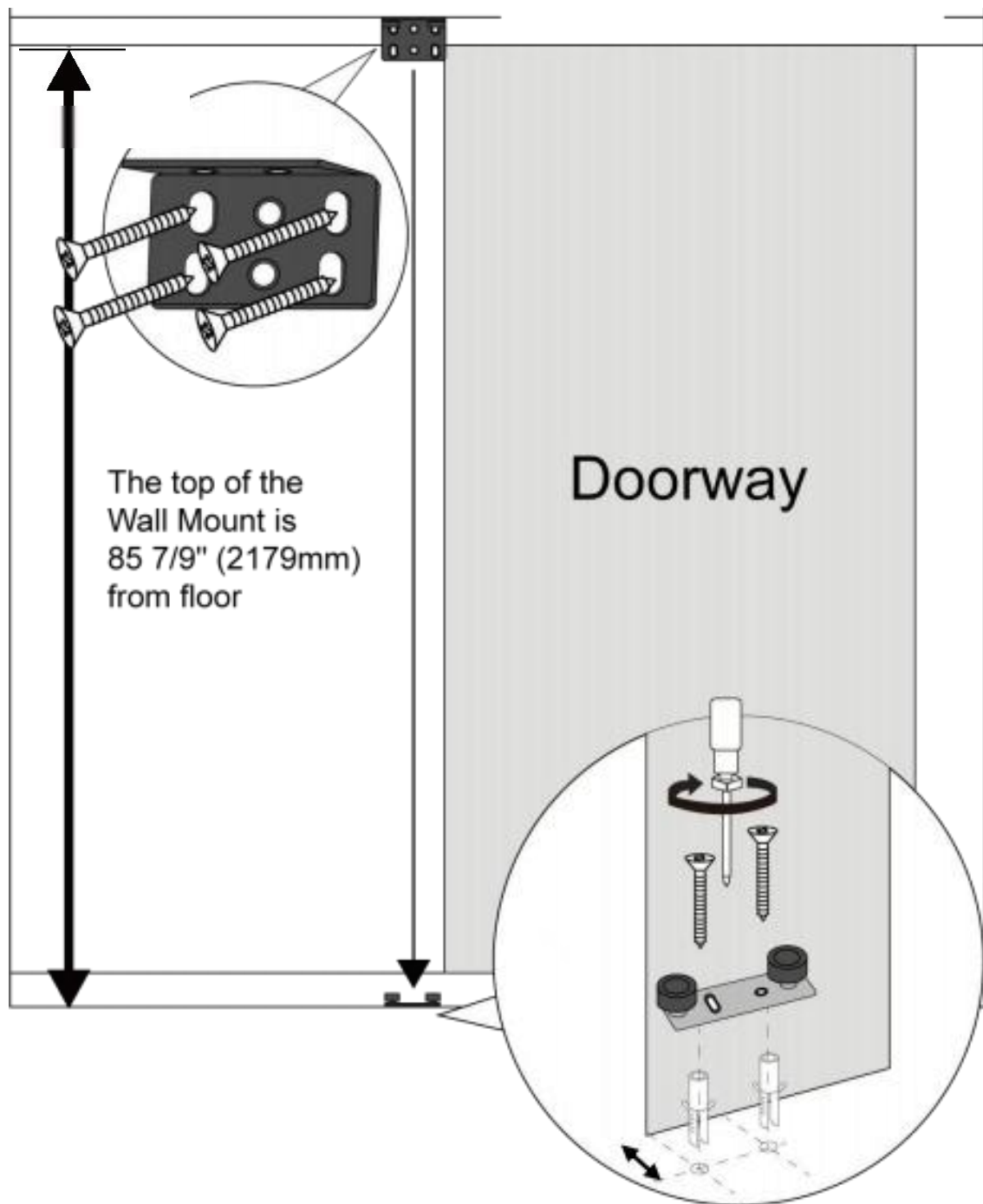
Step4-1

- Wall mount can be placed adjacent to the door casing (A) or above the door casing (B) (if there's enough space above the door casing allowing the top of wall mount to remain $85\ 7/9''$ from floor).
- Pre-drill $1/8''$ holes. Fasten the Wall mount with 4 Wall screws. Make sure the wall mount is level and be exactly $85\ 7/9''$ from floor.
- Use expansion screws for concrete wall. Pre-drill $5/16''$ hole.
- If the wall mount is placed above door casing, it can cover a wider door opening, see below chart.



Option	Wall mount Beside Casing (A)	Wall mount Above Casing (B)
36"x84"	Doorway + Casing Width * 2 <math>< 33\ 1/4''</math>	Doorway + Casing Width * 2 <math>< 36''</math>
42"x84"	Doorway + Casing Width * 2 <math>< 39\ 1/4''</math>	Doorway + Casing Width * 2 <math>< 42''</math>
48"x84"	Doorway + Casing Width * 2 <math>< 45\ 1/4''</math>	Doorway + Casing Width * 2 <math>< 48''</math>

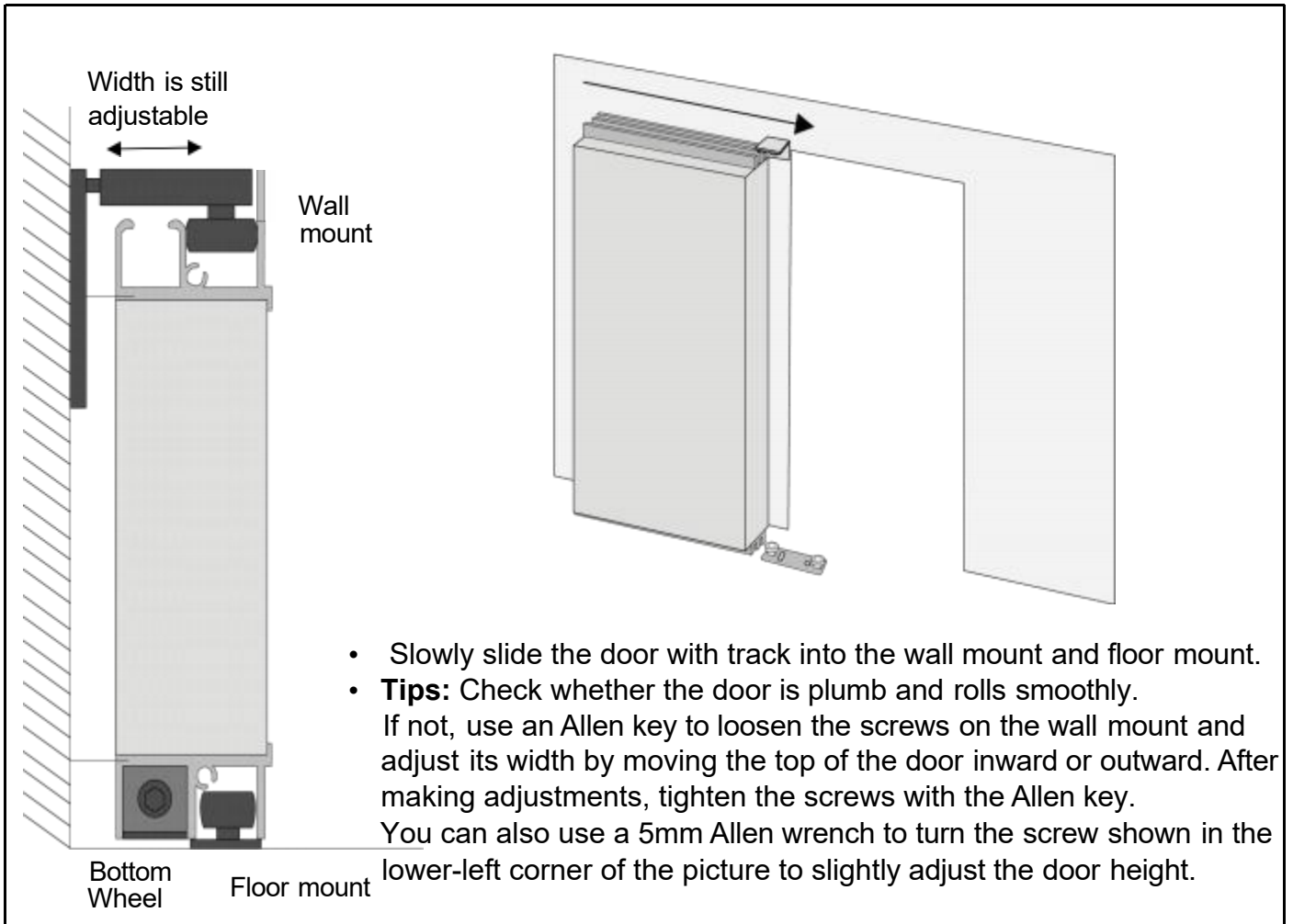
STEP 4: Install Wall Mount & Floor Guide



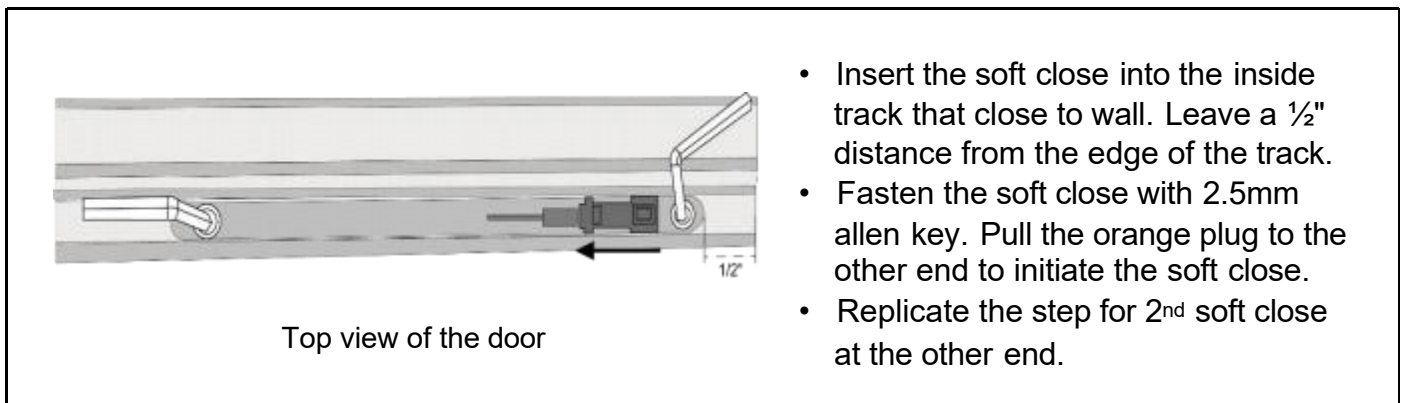
Step4-2

- The center of the wall mount should align with the center of the floor guide.
- The screw hole of the floor guide should be $X + 2 \frac{1}{2}$ " from wall (X is the distance between wall to door assigned in Step 3).
- Pre-drill 1/8" holes. Fasten the floor guide with 2 floor screws.

STEP 5: Hang the Shelf Door



STEP 6: Install Soft Close



STEP 7: Install Track Cover (Optional)

