

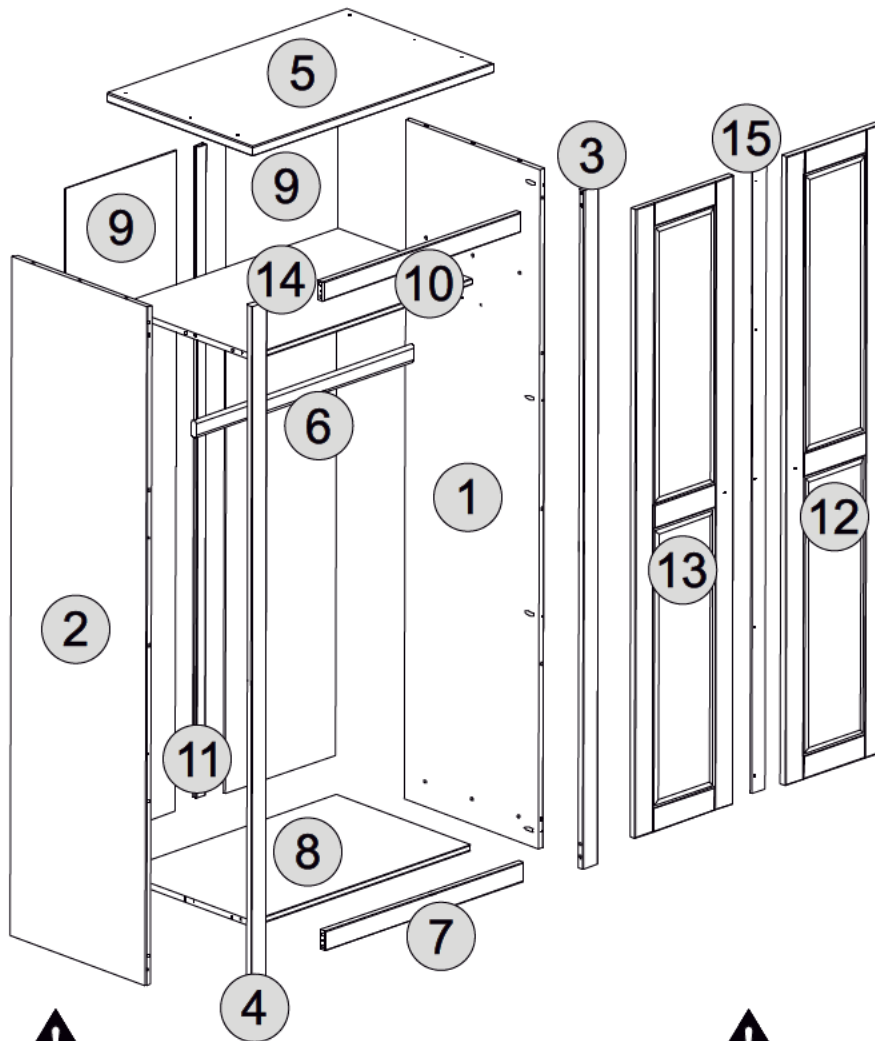
ASSEMBLY INSTRUCTIONS



IMPORTANT PLEASE READ BEFORE YOU CONTINUE FURTHER FOR DOMESTIC USE ONLY CARE AND MAINTENANCE

After unpacking this product please keep the original packaging in case it needs to be returned for any reason.

- Please ensure all fittings and parts are present before commencing with assembly.
- We recommend that you lay a blanket or sheet on the floor to avoid damage to both your floor and the product.
- We strongly recommend that you keep children away from your work area.
- Assemble this product as close to its final position as possible.
- Never drag or push products as this could cause damage to the joints making it inferior.
- Do not place this product next to a radiator or in direct sunlight.
- Wood is a natural product and may expand if subjected to damp and may shrink or crack if subjected to heat. Therefore it is recommended that room temperature is maintained, with no sudden temperature fluctuations.
- Make sure any spillage is wiped off immediately.
- Do not place hot or chilled items directly on to the surface, use a place mat or marking will occur.
- For general cleaning use a duster, and do not use detergents of any kind. However, the surface will need to be retreated from time to time. This can be done by using block wax (unperfumed) and rubbing it over the whole item.
- From time to time it may be necessary to tighten fittings, regular inspections should be carried out.



* Use of power tools to assemble this product will invalidate any claim and damage this product making it unsafe !!!
 * Please assemble on a clean soft surface to avoid damage.

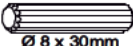

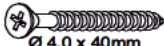


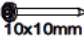





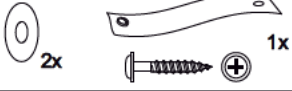

* Please check contents and read the instructions before commencing assembly.
 * Assemble this product following the enclosed instructions carefully.
 * Please take care to avoid damaging panels during assembly.

PARTS LIST

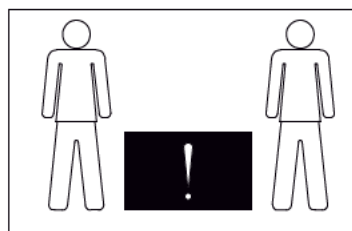
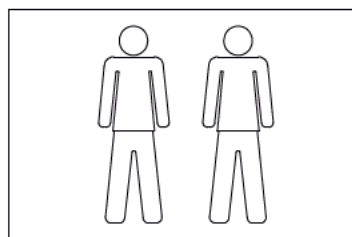
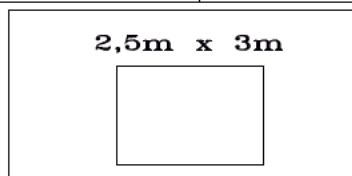
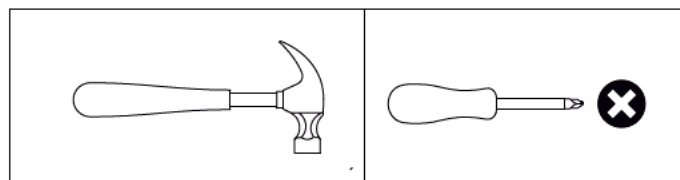
Part Number
1
2
3
4
5
6
7
8
9
10
11
12
13
14
15

Part Description	Quantity	Carton
Right Side Panel	1	1/2
Left Side Panel	1	1/2
Right Front Upright	1	1/2
Left Front Upright	1	1/2
Top Panel	1	2/2
Hanger	1	2/2
Front Crossbeam (Lower)	1	1/2
Base	1	2/2
Back Panel	2	1/2
Front Crossbeam (Upper)	1	1/2
Back Panel Strip (1670 mm)	1	1/2
Right Door	1	1/2
Left Door	1	1/2
Fixed Shelf	1	2/2
Door Strip	1	1/2

FITTINGS

A	 Ø 8 x 30mm	34	H	 Right	03
B	 Ø 4,0 x 40mm	06	I	 Left	03
C	 Ø 3,5 x 30mm	24	J	 10x10mm	46
D	 Ø 3,0 x 14mm (Black)	53	K		01
E		04	L		02
F		02	M	 2x 1x	01
G	 M4 x 25mm	02			

TOOLS REQUIRED



STEP 1

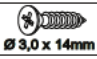
PARTS REQUIRED

1 RIGHT SIDE PANEL x1

2 LEFT SIDE PANEL x1

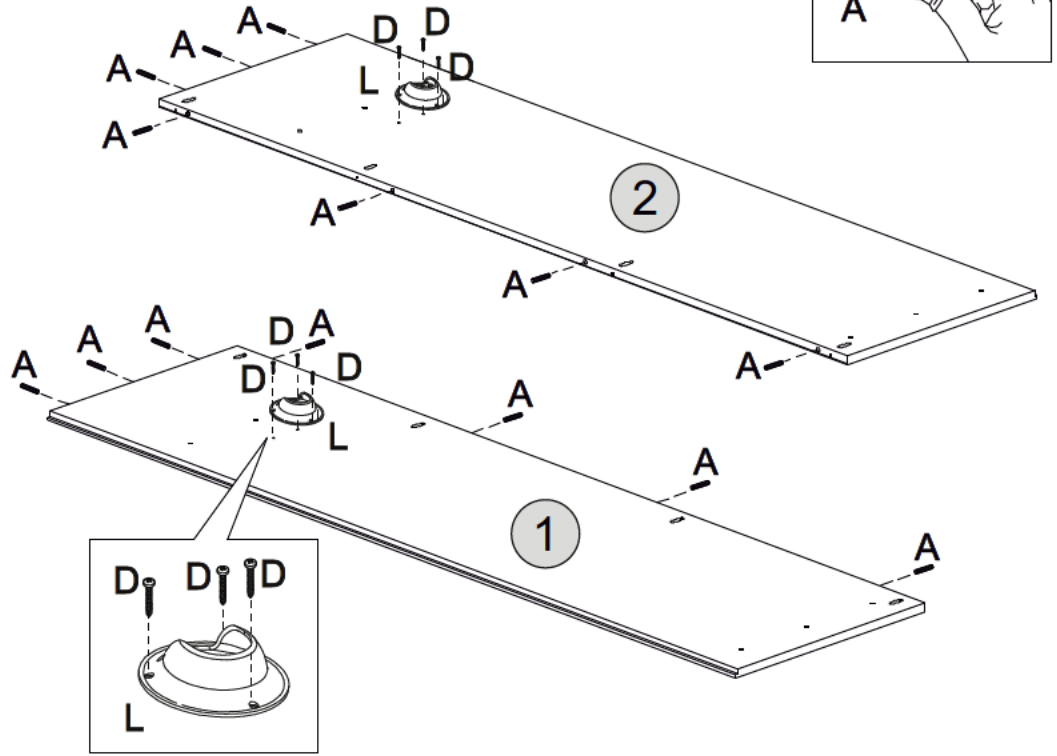
HARDWARE REQUIRED


A  14

D  06

L  02

TOOLS REQUIRED



 Please assemble on a clean soft surface to avoid damage.

STEP 2

PARTS REQUIRED

7 FRONT CROSSBEAM (lower) x1

8 BASE x1

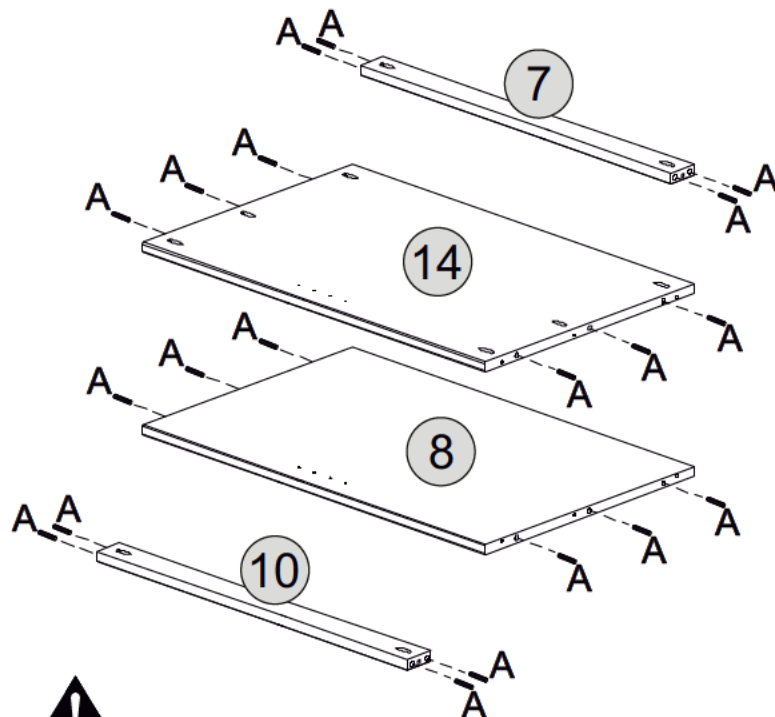
10 FRONT CROSSBEAM (upper) x1


14 FIXED SHELF x1

HARDWARE REQUIRED

A  20

TOOLS REQUIRED



 Please assemble on a clean soft surface to avoid damage.

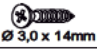
STEP 3

PARTS REQUIRED

8 BASE x1

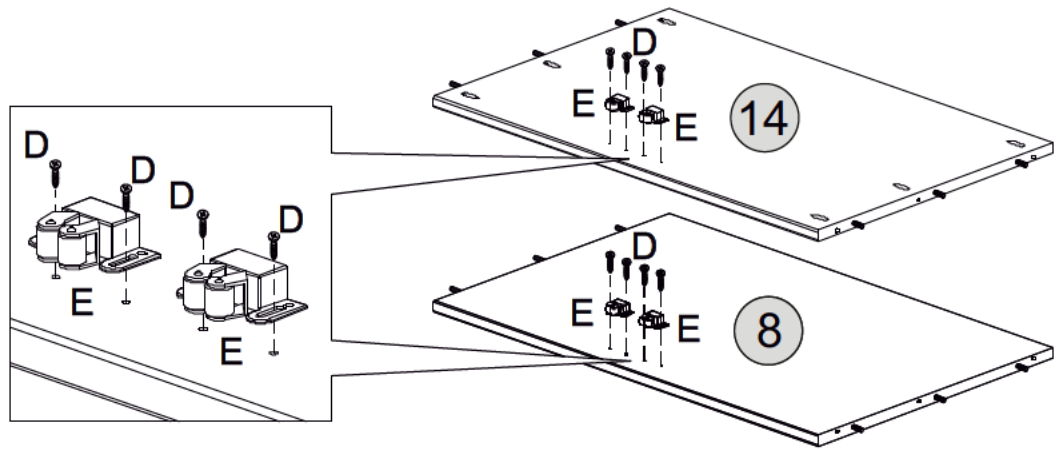
14 FIXED SHELF x1

HARDWARE REQUIRED

D  08
Ø 3,0 x 14mm

E  04

TOOLS REQUIRED




Please assemble on
a clean soft surface
to avoid damage.

STEP 4

PARTS REQUIRED

1 RIGHT SIDE PANEL x1

2 LEFT SIDE PANEL x1

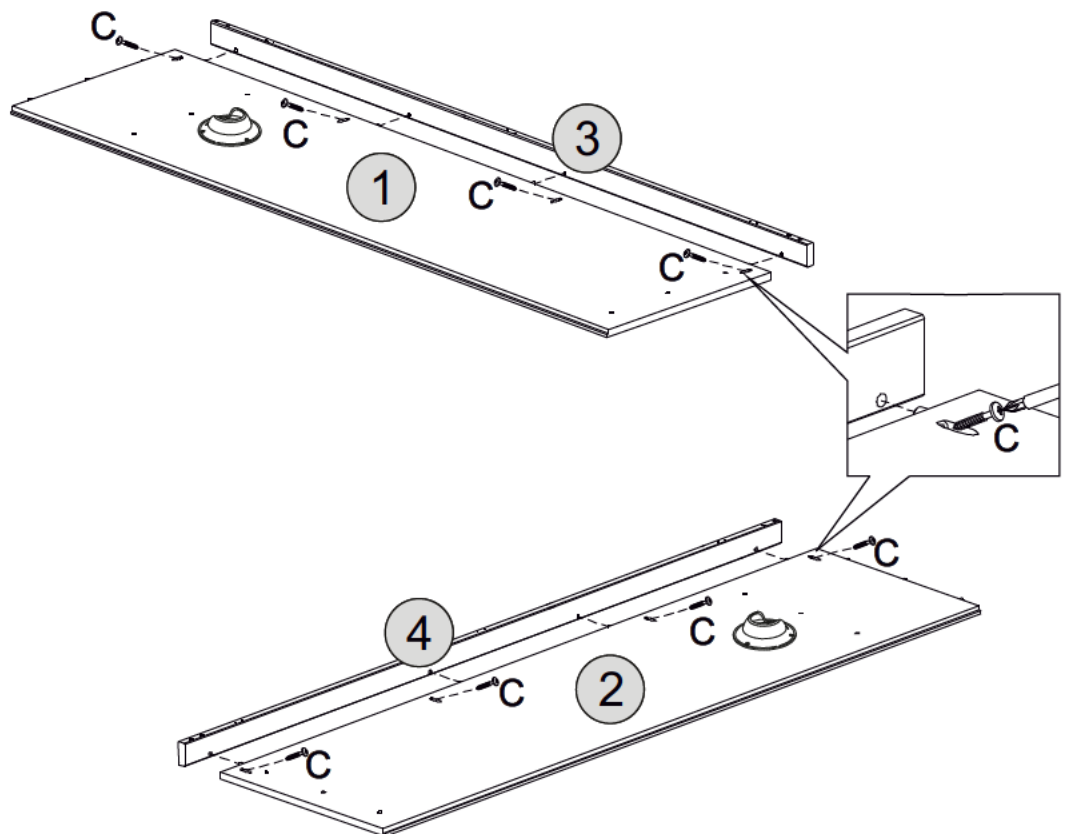
3 RIGHT FRONT UPRIGHT x1

4 LEFT FRONT UPRIGHT x1

HARDWARE REQUIRED

C  08
Ø 3,6 x 30mm

TOOLS REQUIRED




Please assemble on
a clean soft surface
to avoid damage.

STEP 5

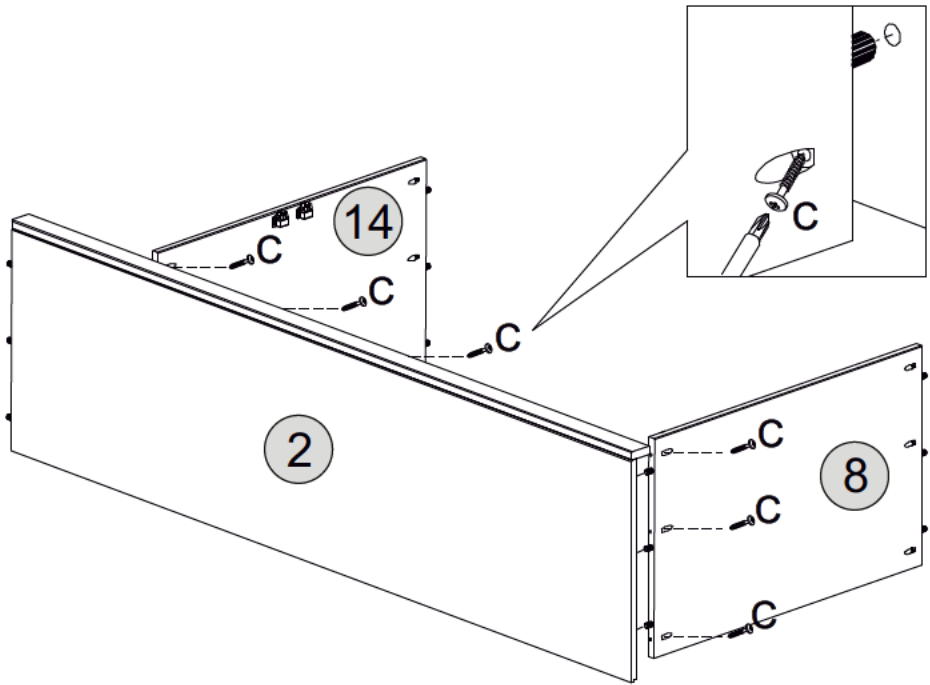
PARTS REQUIRED

2	LEFT SIDE PANEL	x1
8	BASE	x1
14	FIXED SHELF	x1

HARDWARE REQUIRED

C	 06 Ø 3,5 x 30mm
---	--

TOOLS REQUIRED

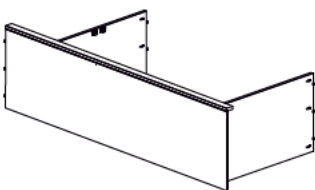


Please assemble on a clean soft surface to avoid damage.

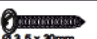
STEP 6


PARTS REQUIRED

1	RIGHT SIDE PANEL	x1
7	FRONT CROSSBEAM (Lower)	x1
10	FRONT CROSSBEAM (Upper)	x1



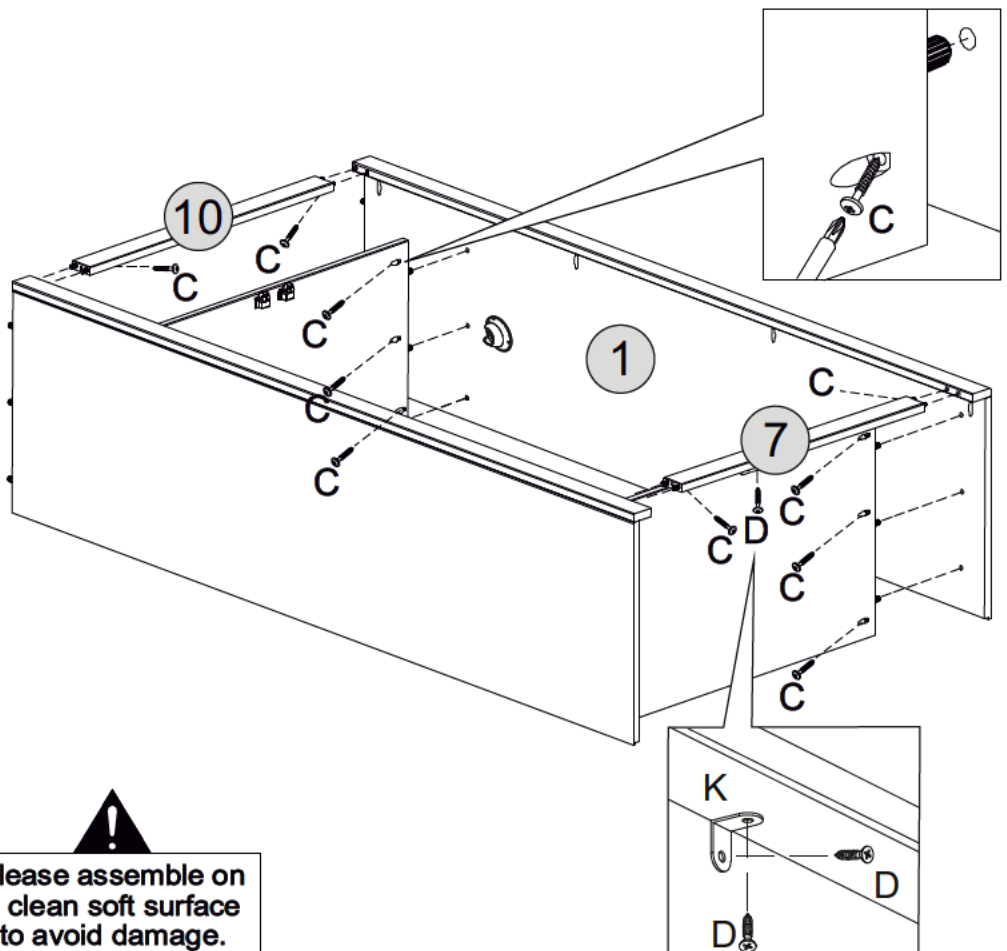
HARDWARE REQUIRED

C	 10 Ø 3,5 x 30mm
---	--

D	 02 Ø 3,0 x 14mm
---	--

K	 01
---	--

TOOLS REQUIRED

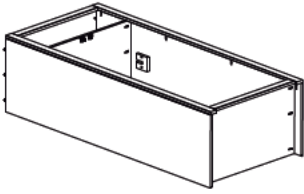


Please assemble on a clean soft surface to avoid damage.

STEP 7

PARTS REQUIRED

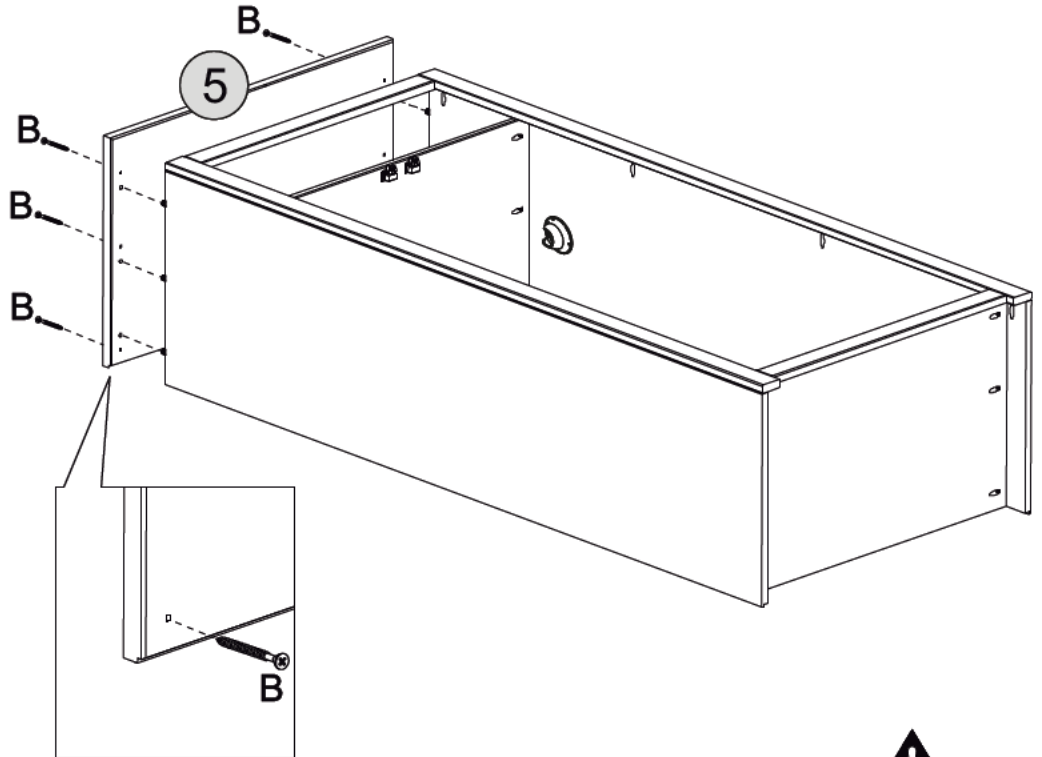
5 TOP PANEL x1




HARDWARE REQUIRED

B  06
Ø 4,0 x 40mm

TOOLS REQUIRED



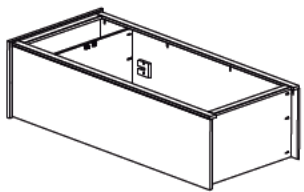
 Please assemble on a clean soft surface to avoid damage.

STEP 8

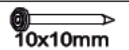
PARTS REQUIRED

9 BACK PANEL x2

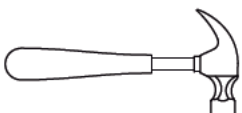
11 BACK PANEL STRIP x1



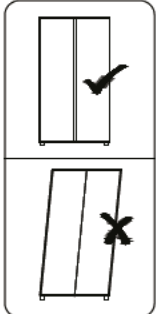
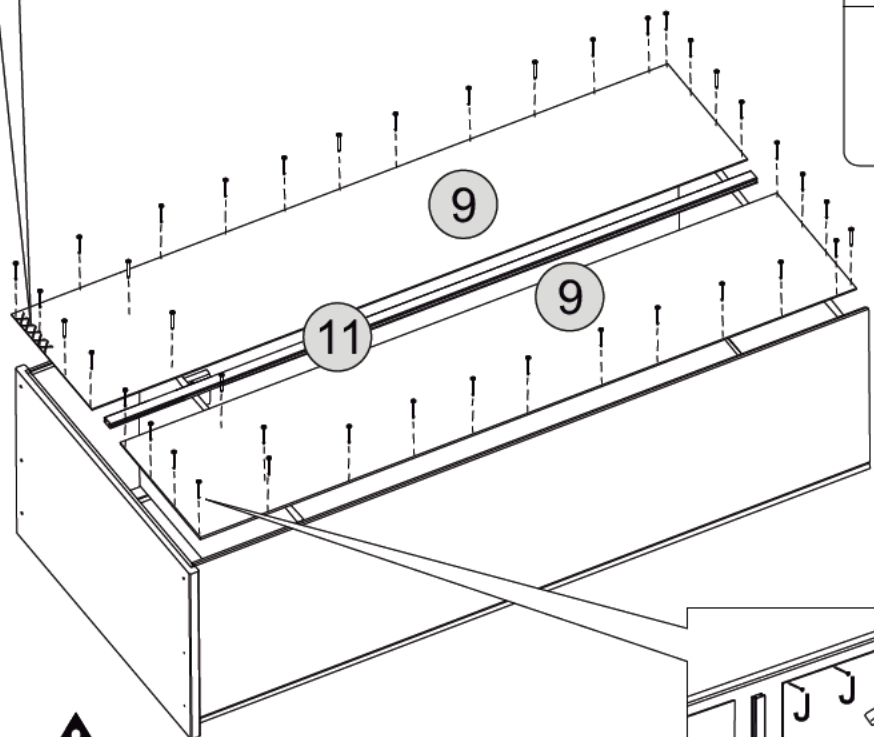
HARDWARE REQUIRED

J  46
10x10mm

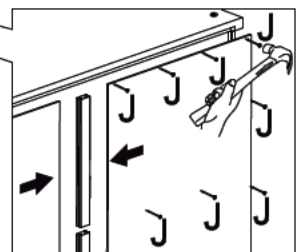
TOOLS REQUIRED



For your future reference order number should be here



 Please assemble on a clean soft surface to avoid damage.







STEP 9

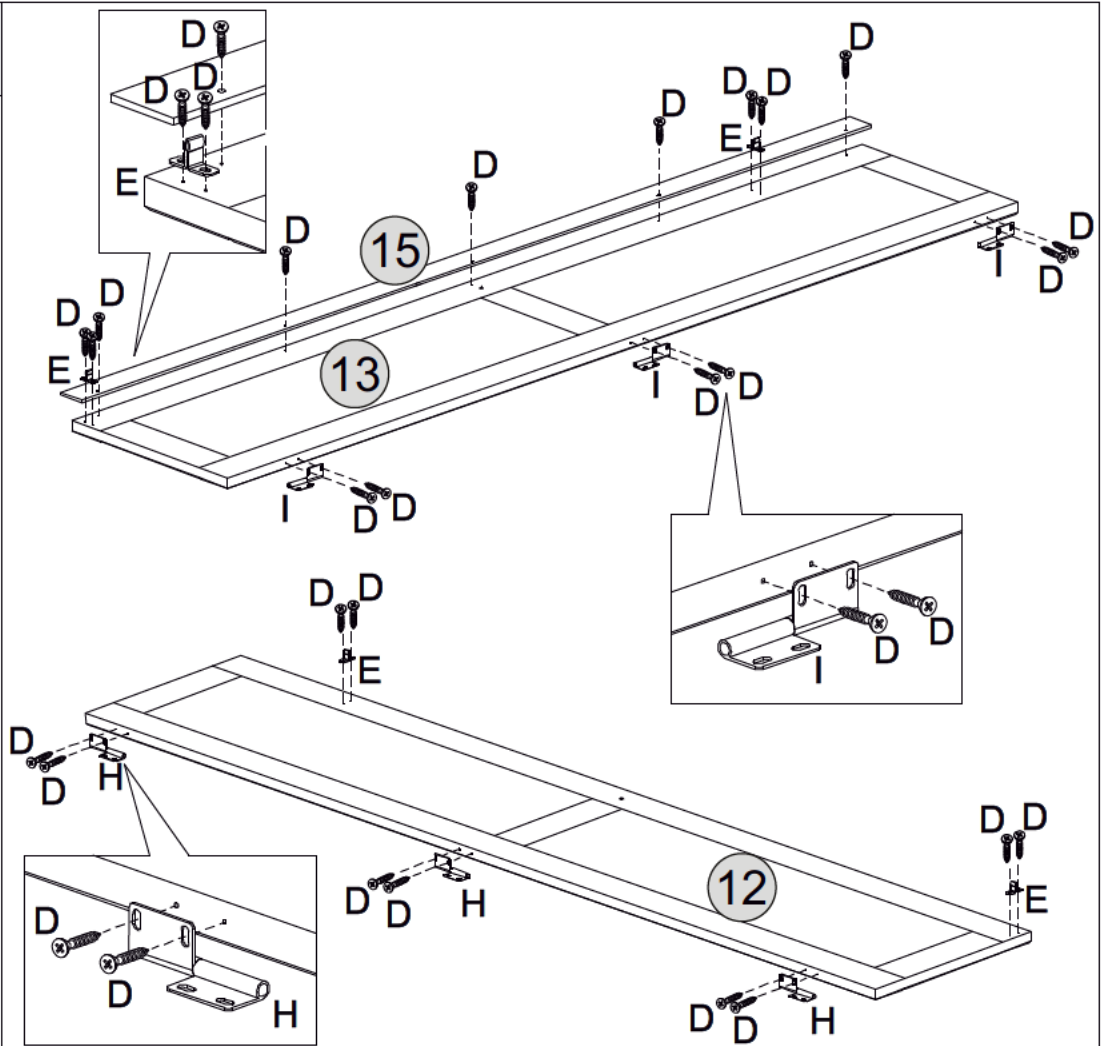
PARTS REQUIRED

12 RIGHT DOOR	x1
13 LEFT DOOR	x1
15 DOOR STRIP	x1

HARDWARE REQUIRED

D	 25
E	 04
H	 Right 03
I	 Left 03

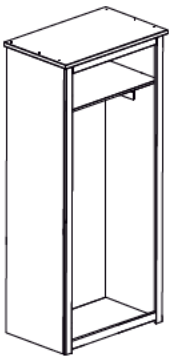
TOOLS REQUIRED






STEP 10

PARTS REQUIRED

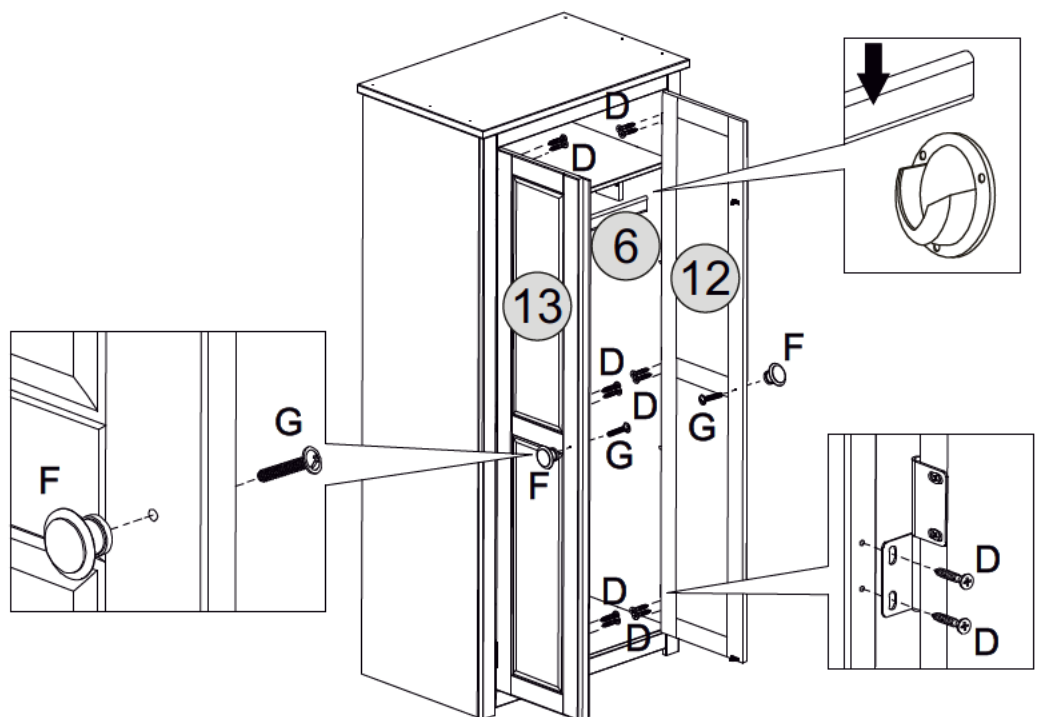
6 HANGER	x1
12 RIGHT DOOR	x1
13 LEFT DOOR	x1



HARDWARE REQUIRED

D	 12
F	 02
G	 M4 x 25mm 02

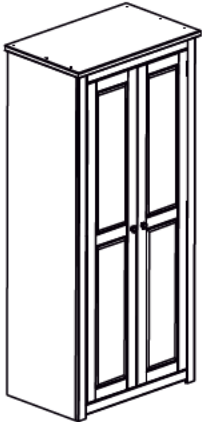
TOOLS REQUIRED



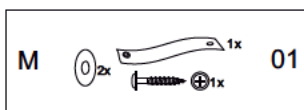
!
Please assemble on
a clean soft surface
to avoid damage.

STEP 11

PARTS REQUIRED



HARDWARE REQUIRED



TOOLS REQUIRED



WARNING

Serious or fatal injuries can occur from furniture tipping over. To prevent the furniture from tipping over we recommend that it is permanently fixed to the wall.

Wall fixings are not supplied with this product as different wall materials require different types of fixing devices. Please make sure you use fixings suitable for the walls in your home.

