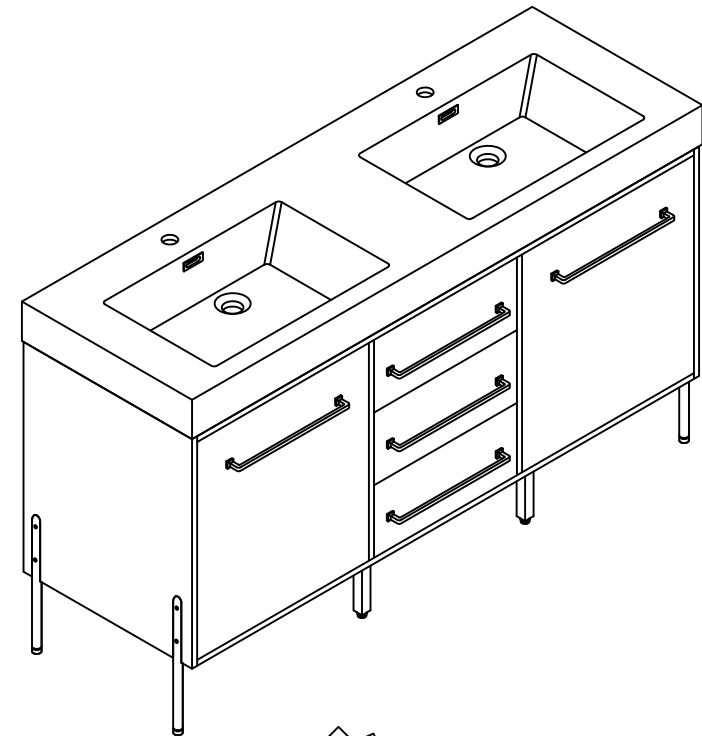


Installation Manual-BV B11060D

**MOTIVATE
YOUR LIFE !**

THANKS FOR WATCHING

Your feedback is invaluable to us and we would love to hear about your experience. Please take the time to leave us a review.


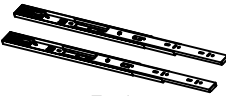
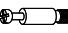











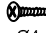

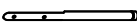





Thank you for shopping with us!

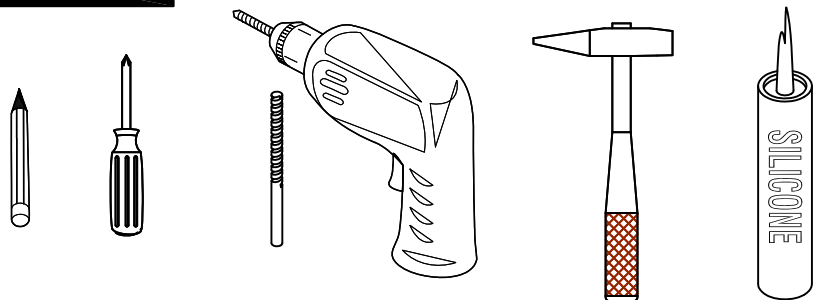
We encourage you to take a few minutes to go through this booklet. It contains important information on installation and care tips to keep your furniture looking as good as new.

Item NO.:BV B11060D

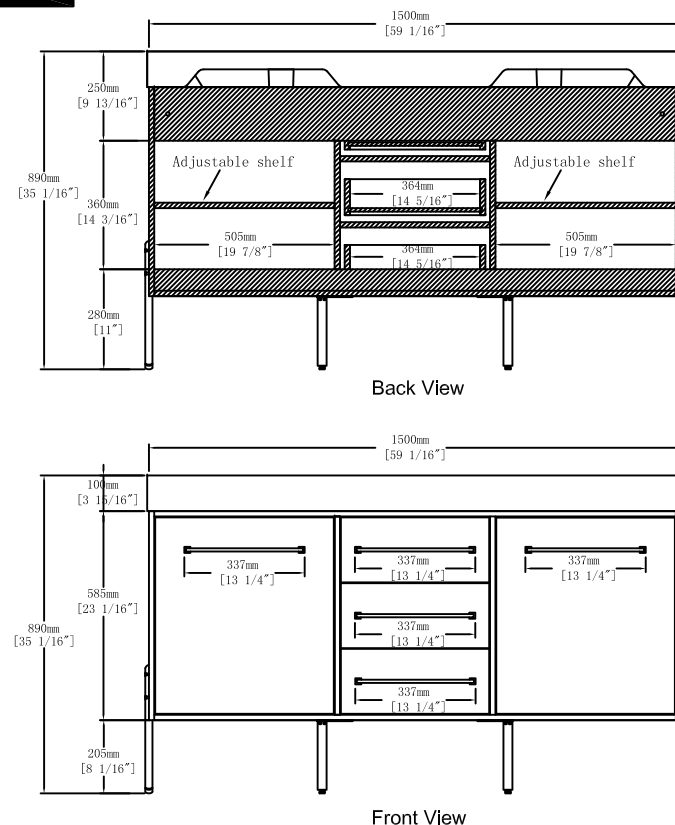
Hardware

NO.	Draw	QTY	NO.	Draw	QTY
A	 Screws Ø4x14mm	96	L	 Track	3
B	 Two-in-one connector	75	M	 Handle(L = 337mm)	5
C	 Two-in-one connector	75	N	 Screws M4x18mm	10
D	 Wood plug	6	O	 Hinges(Internal hiding)	6
E	 Plastic anchor(Ø10mm)	4	P	 Door stopper	2
F	 Screws for fix on the wall	4	Q	 Middle metal foot M4*12mm	2
G	 Bracket (53x70x44mm)	4	R	 Movable laminate support	8
H	 Screws Ø4x25mm	2	S	 Anti-collision gasket	8
I	 Metal Feet	4	T	 Screwdriver	1
J	 Screws M4x16mm	8			
K	 Screws Ø4x20mm	9			

Recommended tools



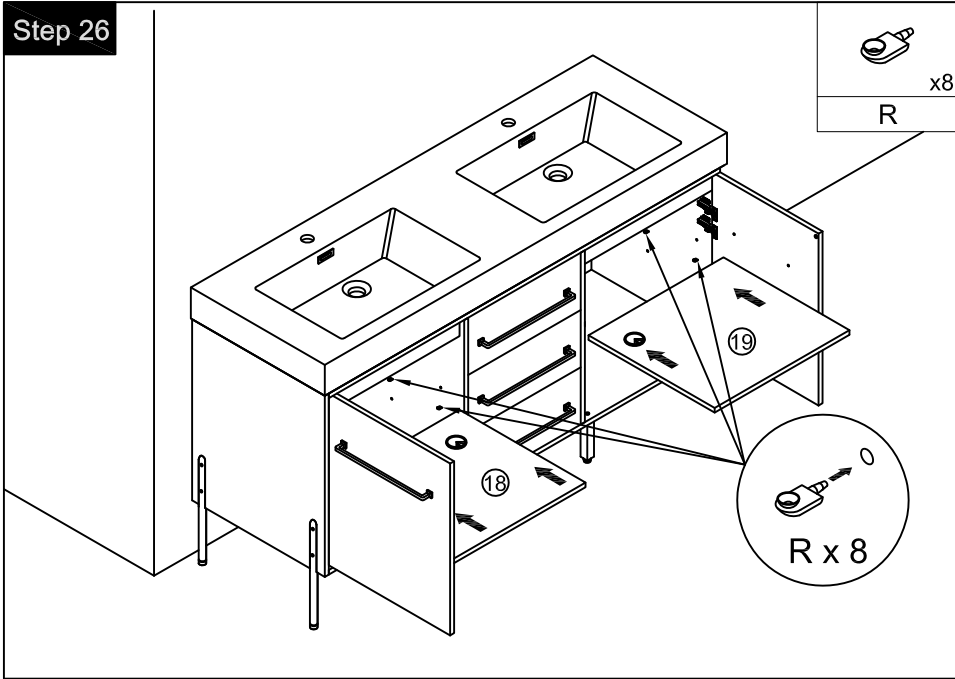
Dimensions



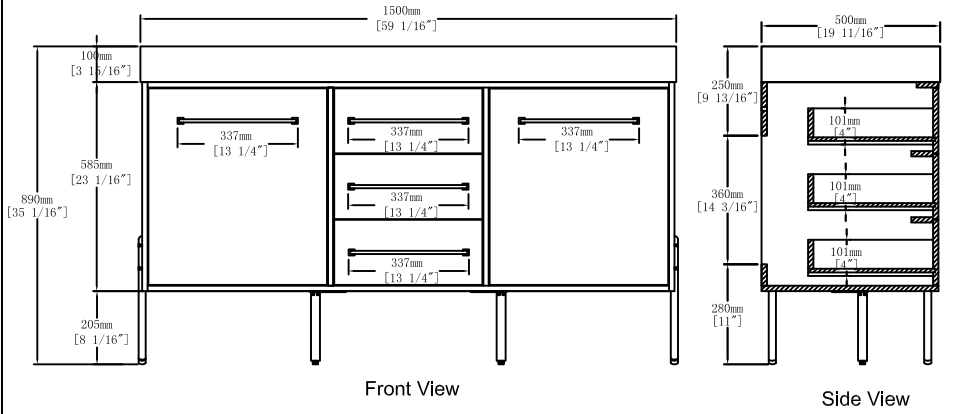
CARE CLEANING AND MAINTENANCE

1. Dust regularly with a soft , dry cloth.
2. Avoid the use of all chemicals household cleaners, abrasives, or cleaners that contain lemon, vinegar, or other acids that may damage the finish.
3. Excessive exposure to sunlight and extreme changes in temperature and moisture can damage wood furniture.
4. The sink is fragile, please pay attention to maintaining its appearance.
5. Do not place hot appliances, such as curling irons and hot hair dryers directly on the countertop. Wipe spills immediately.

Step 26

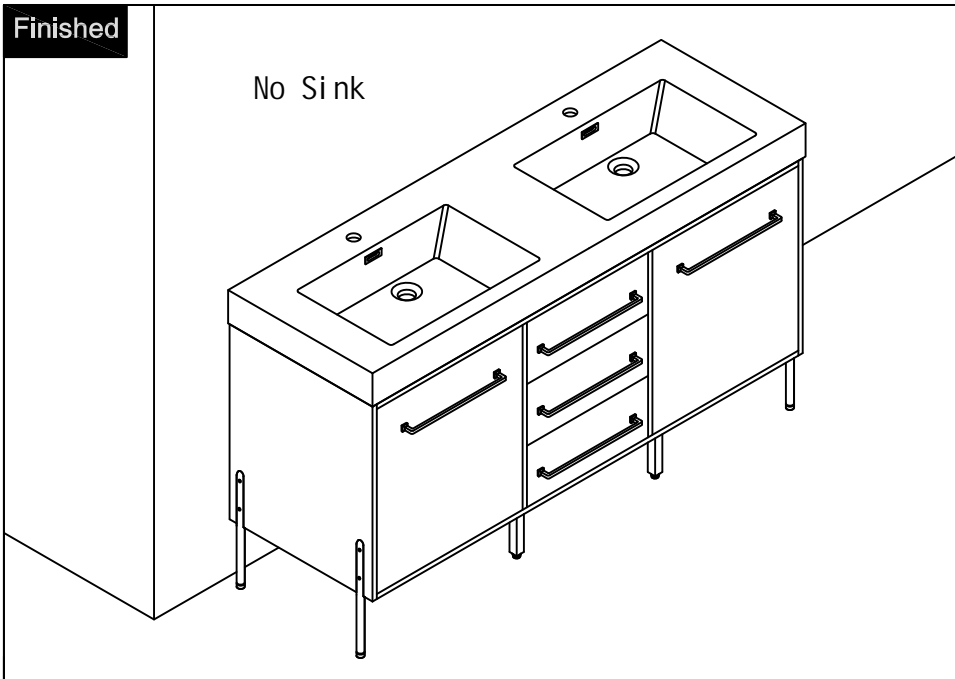


Dimensions

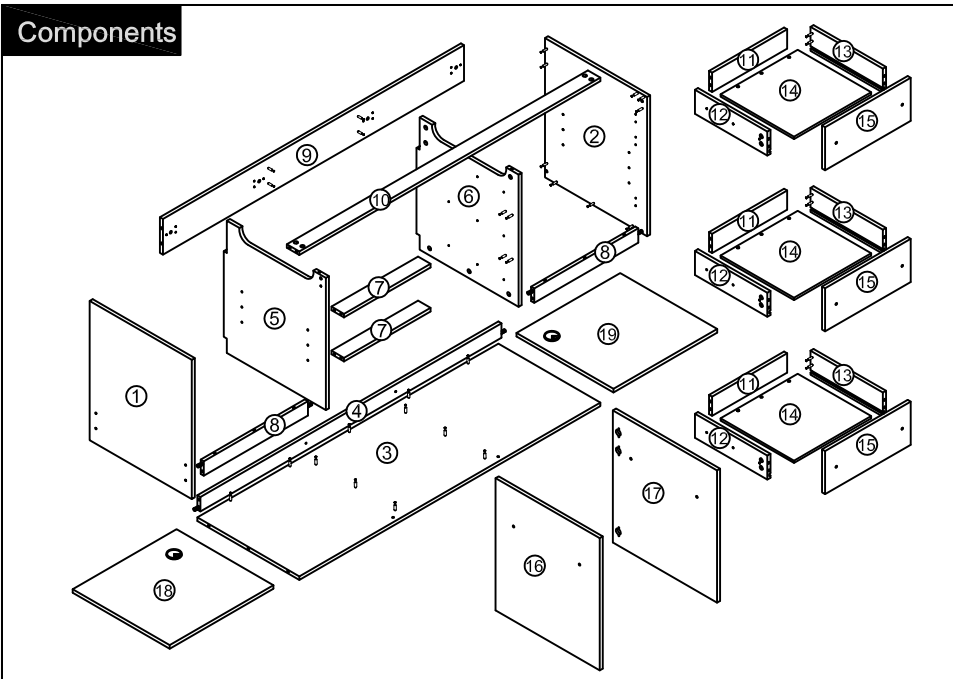


Finished

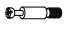


No Sink

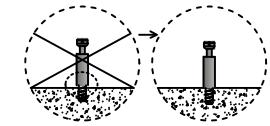
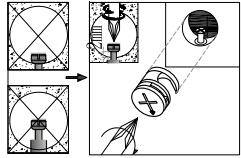
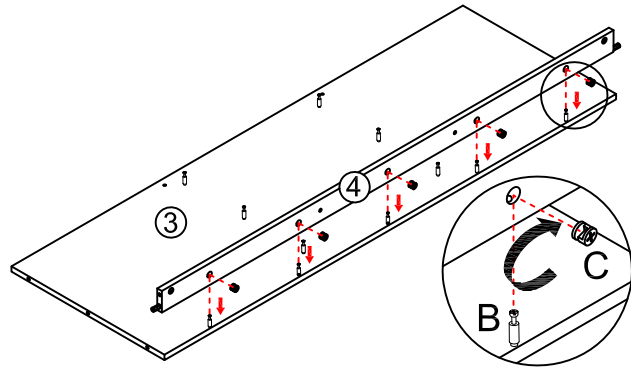


Components

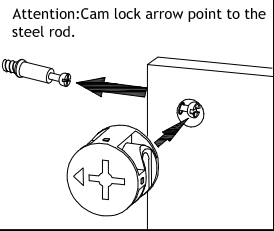


Step 1

-  x5
- B**
-  x5
- C**
- 
- T**

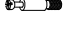




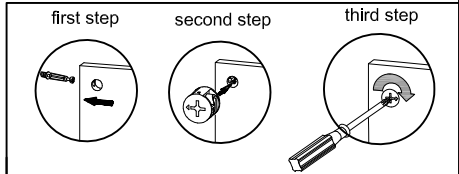
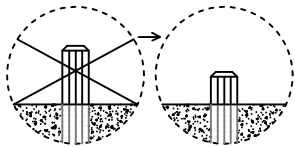
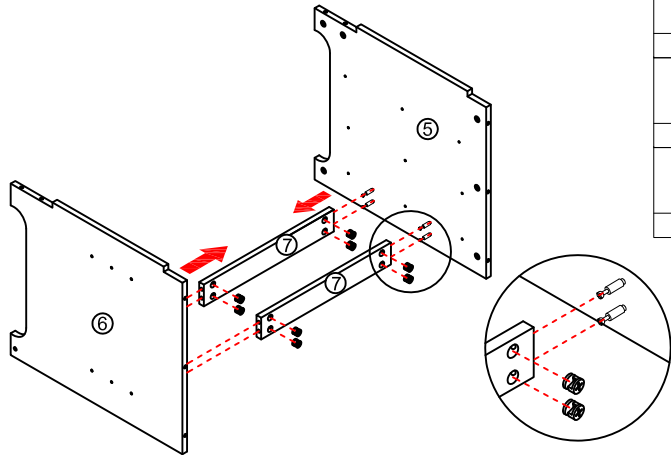
Notes: Screw installation depth as shown



Attention: Cam lock arrow point to the steel rod.

Step 2

-  x8
- B**
-  x8
- C**
- 
- T**

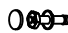



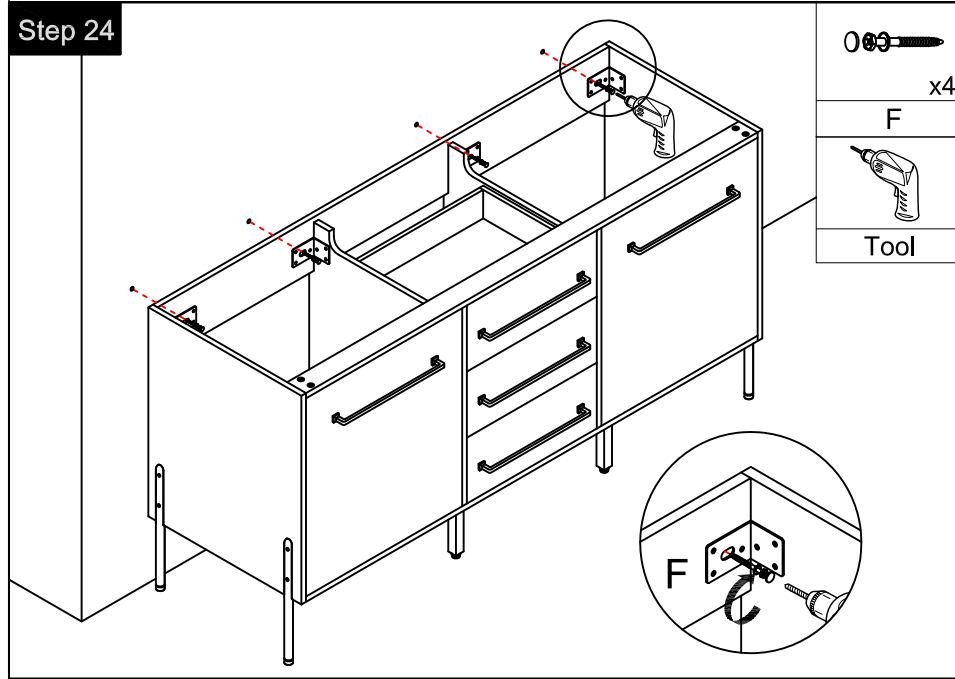
first step

second step

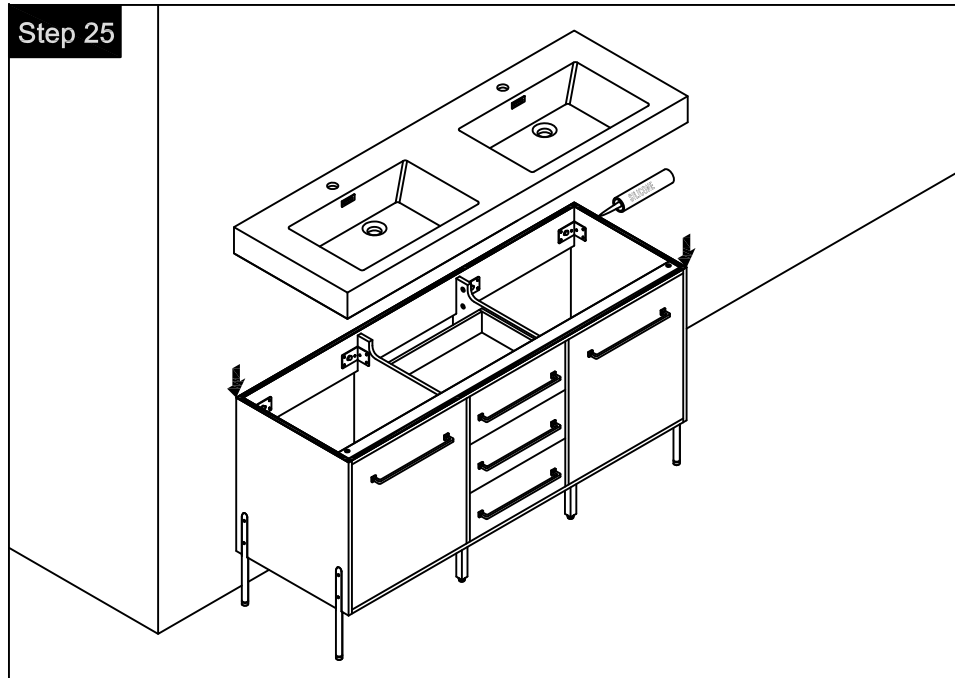
third step

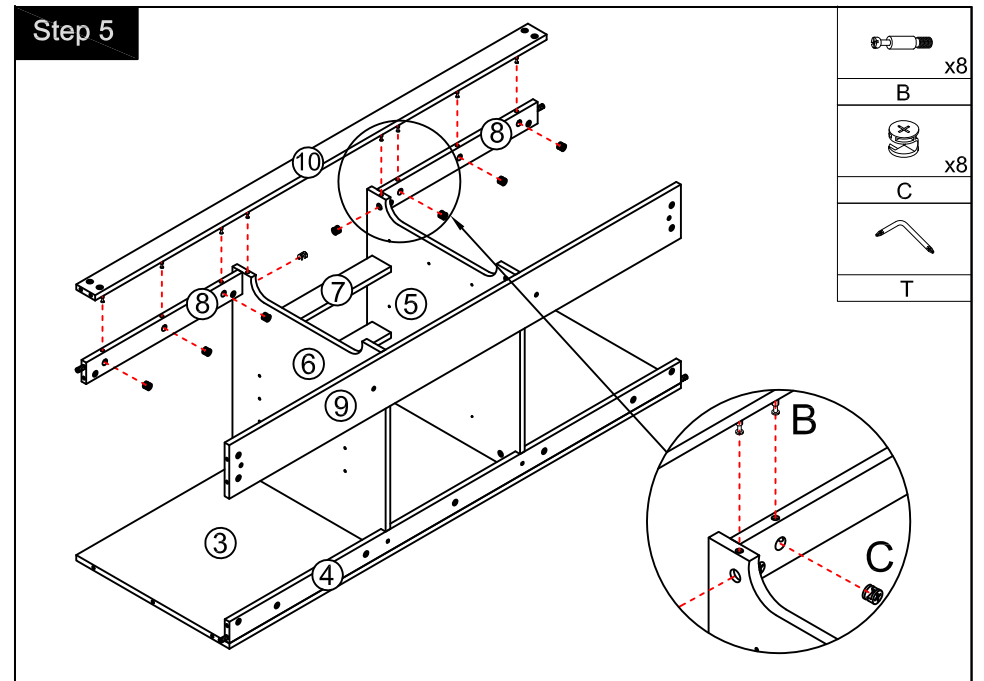
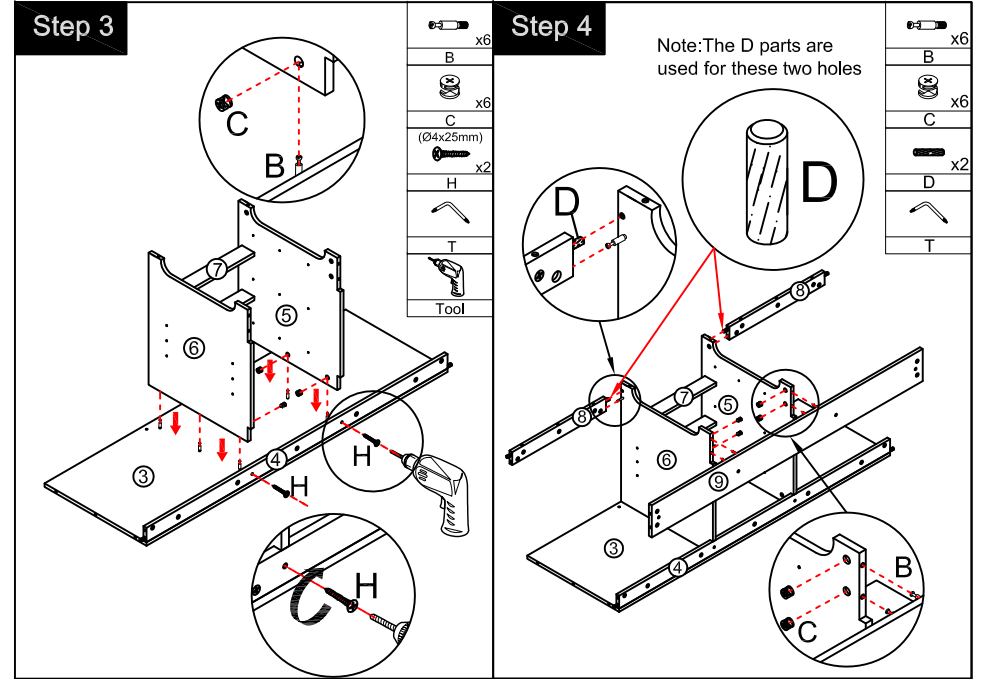
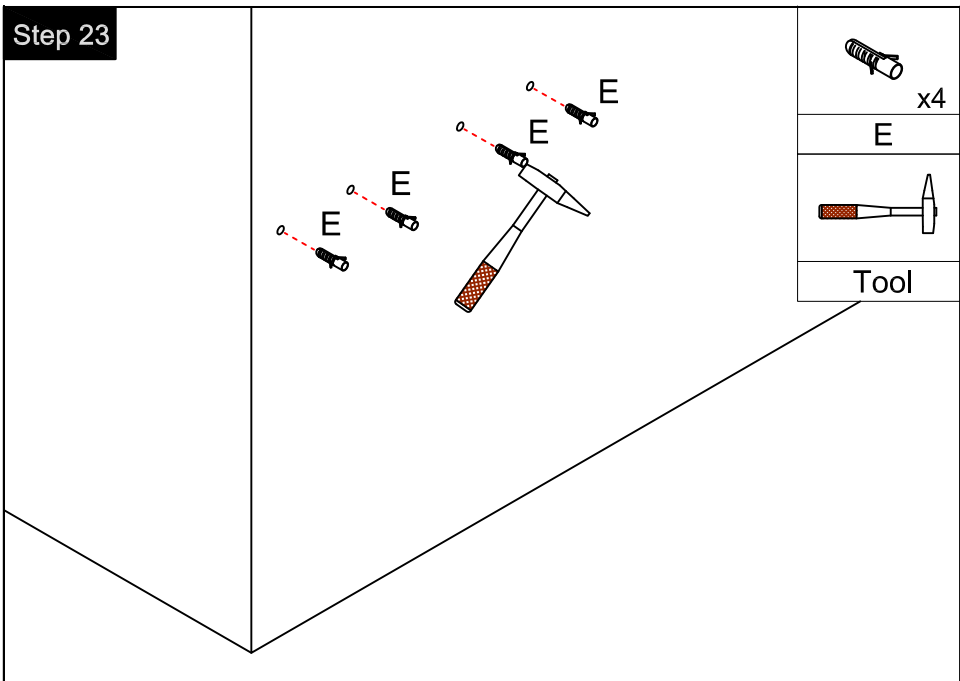
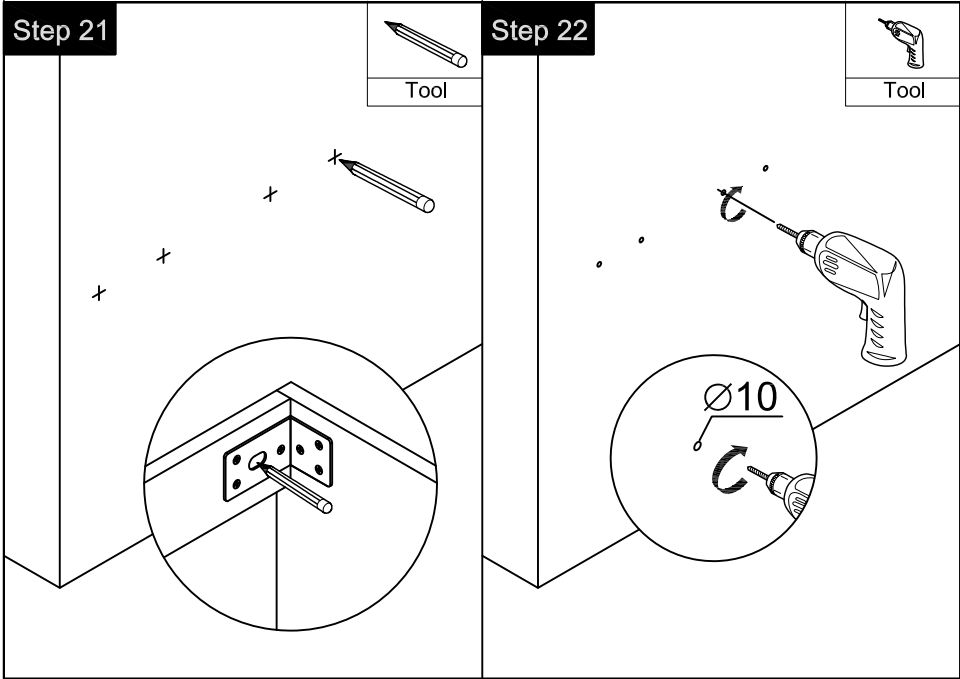
Step 24

-  x4
- F**
- 
- Tool**



Step 25





Step 6

	x9
B	
	x9
C	
	x2
D	
T	

Note: The D parts are used for these two holes

Step 7

	x9
B	
	x9
C	
	x2
D	
T	

Note: The D parts are used for these two holes

Step 19

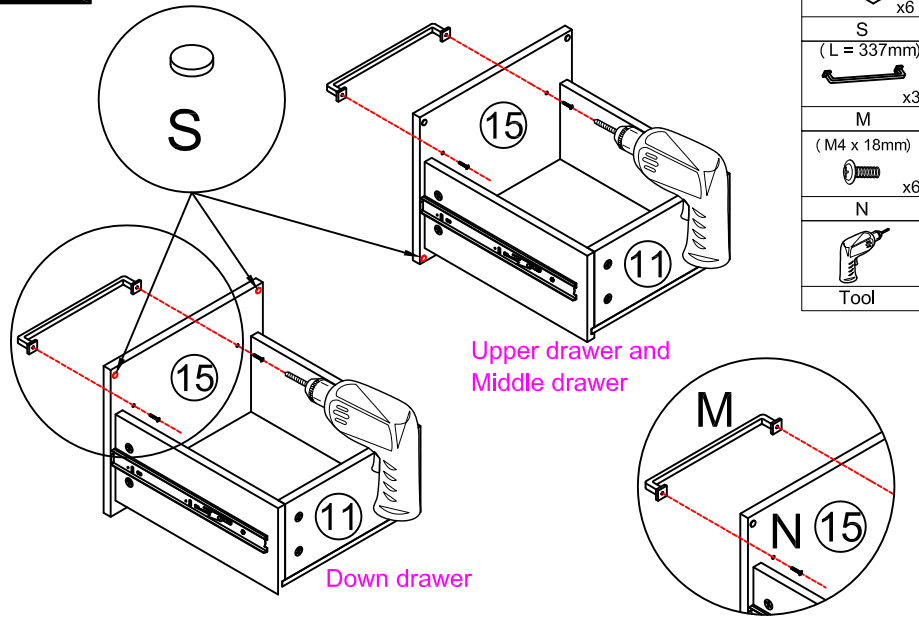
	x6
O	
($\varnothing 4 \times 14\text{mm}$)	
	x36
A	
	x2
P	

You can adjust the doors by tightening or loosening the screws on the hinge.

Step 20

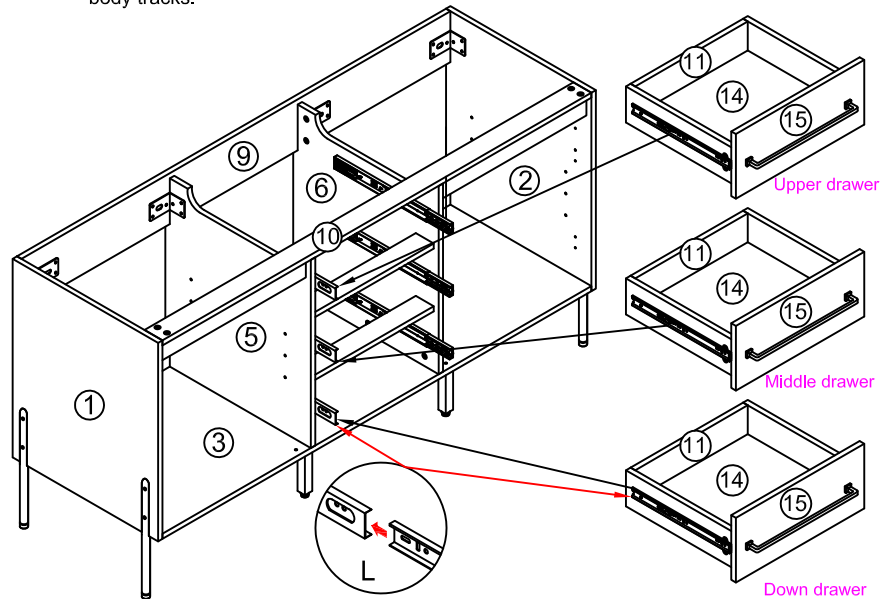
(L = 337mm)	
	x2
M	
(M4 x 18mm)	
	x4
N	
	x2
S	
Tool	

Step 17

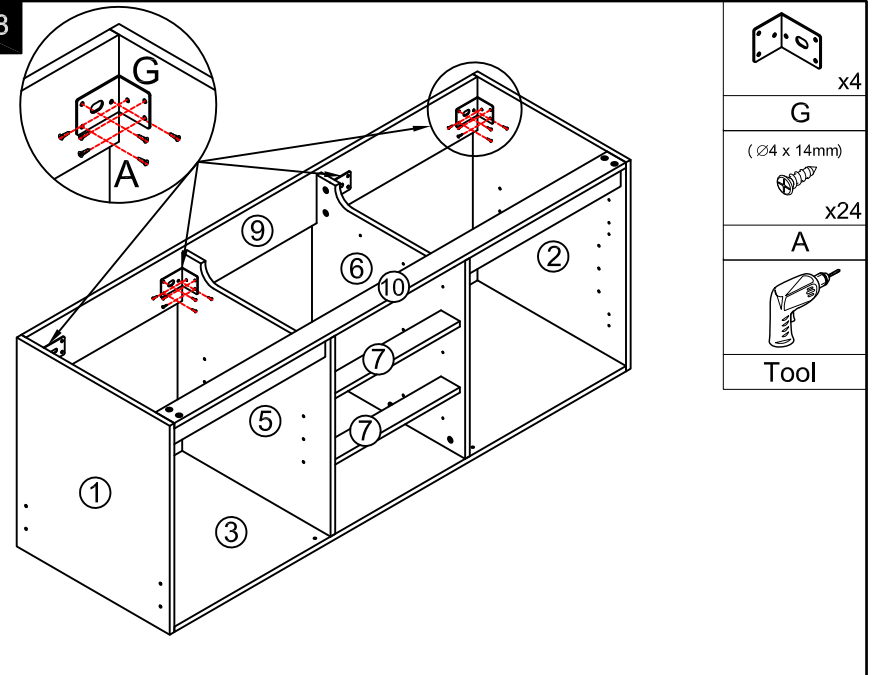


Step 18

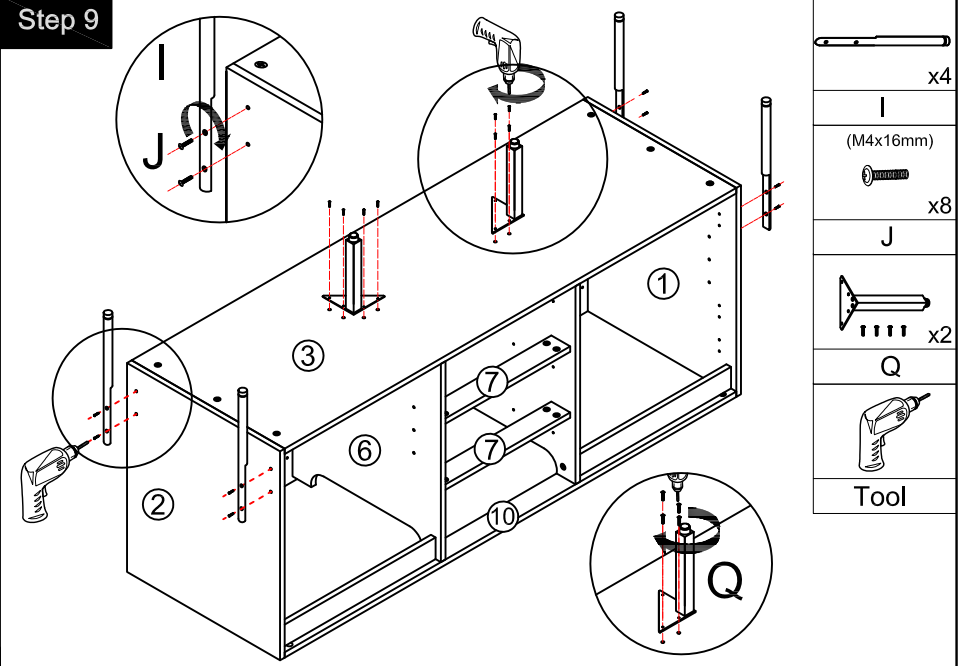
Notes: Pull out the tracks on the cabinet body and push them into the upper and lower drawers as shown in the diagram. The drawer tracks are interlocked with the cabinet body tracks.



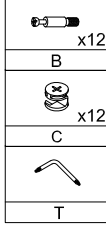
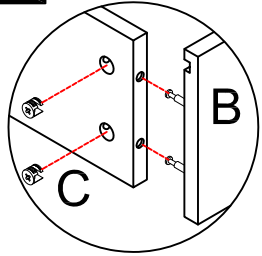
Step 8



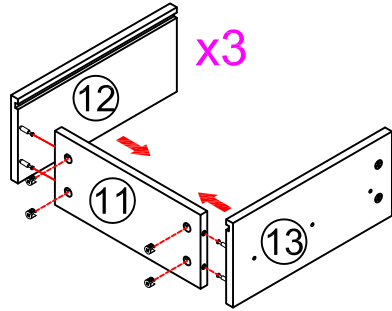
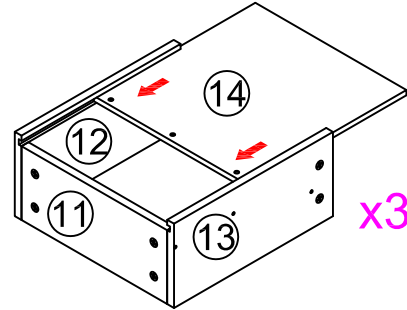
Step 9



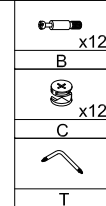
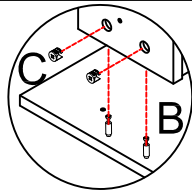
Step 10



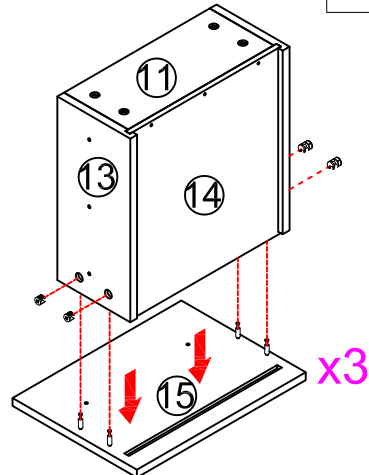
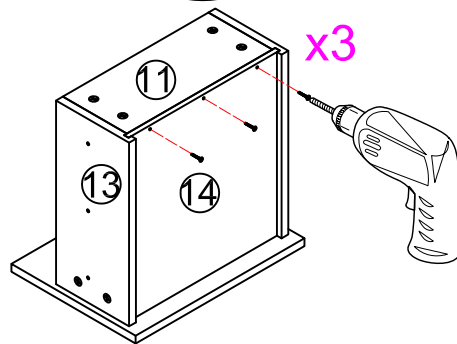
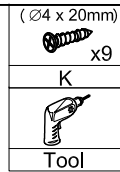
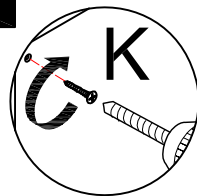
Step 11



Step 12

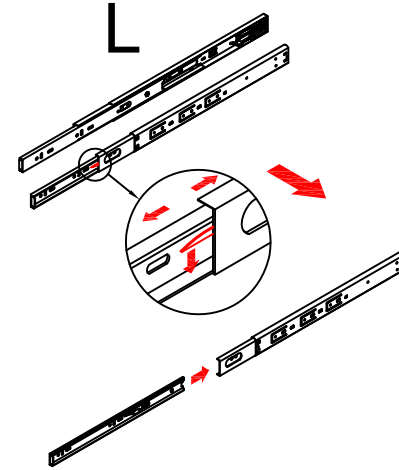


Step 13

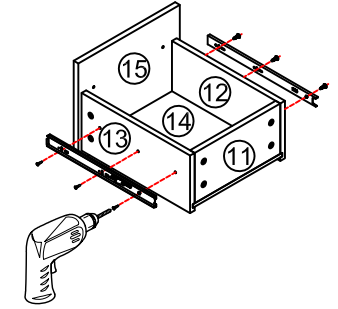
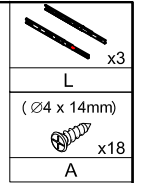
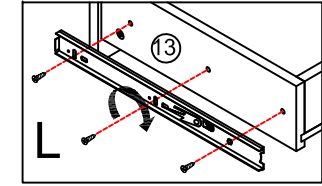


Step 14

Notes: Disassemble the three fold side mounted buffer rail as shown in the following diagram.

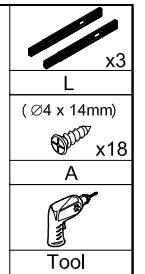
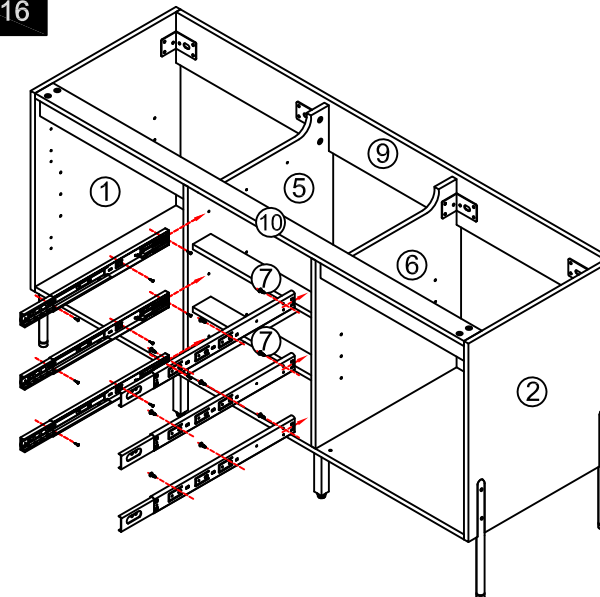


Step 15



Notes: Install the dismantled side mounted rail as shown in the diagram.

Step 16



Notes: Tighten the self working screw according to the hole position shown in the diagram.