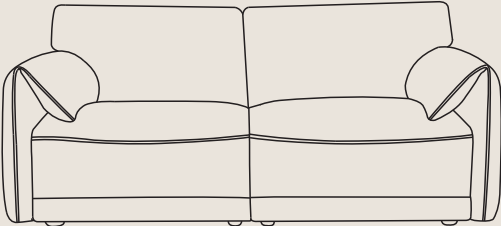
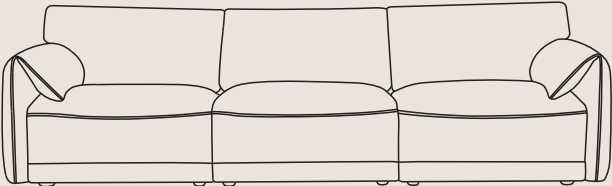


Specification

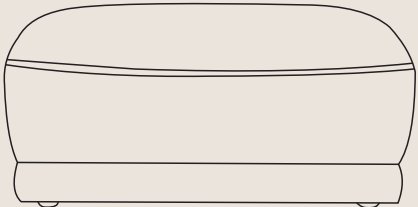
2-PC Sofa



3-PC Sofa

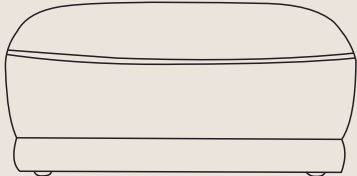
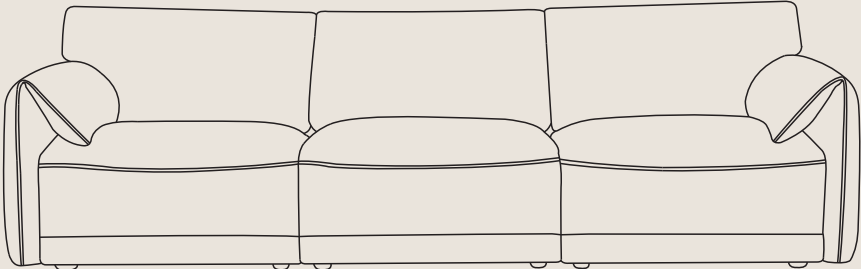
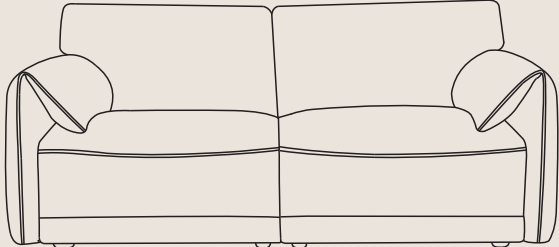


Ottoman



Josie Sofa Collection

Different Seating Configurations

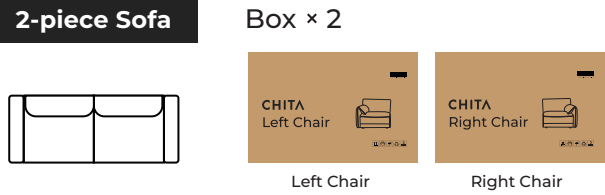


CAUTION

THIS ASSEMBLY MANUAL CONTAINS IMPORTANT SAFETY INFORMATION.
PLEASE READ AND KEEP FOR FUTURE REFERENCE.


Count the boxes.

2-piece Sofa Box × 2




Left Chair Right Chair

3-piece Sofa Box × 3



Left Chair Right Chair Armless Chair

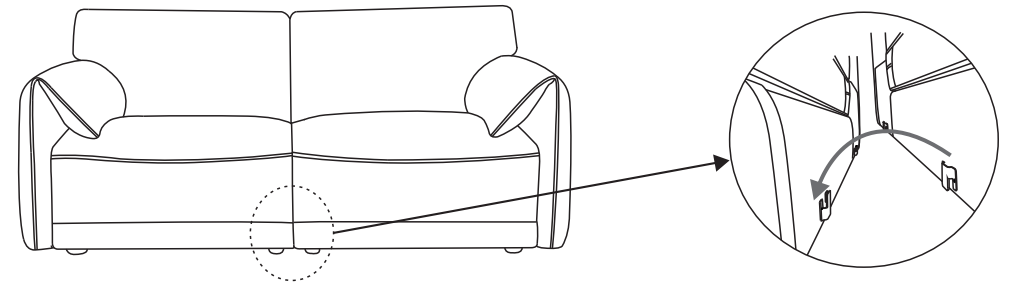
Ottoman Box × 1



Ottoman

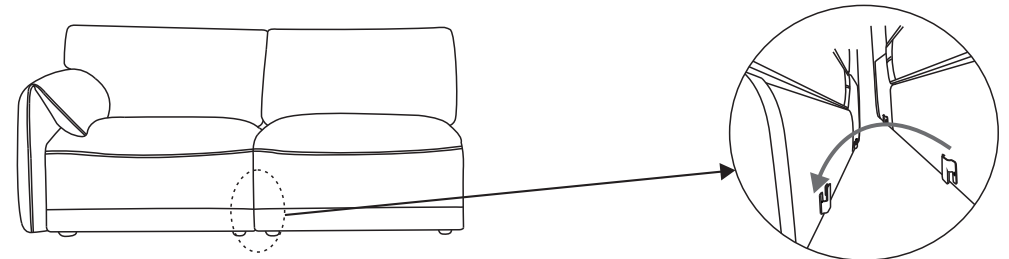
2-PC Sofa

Connect Right Chair to Left Chair.

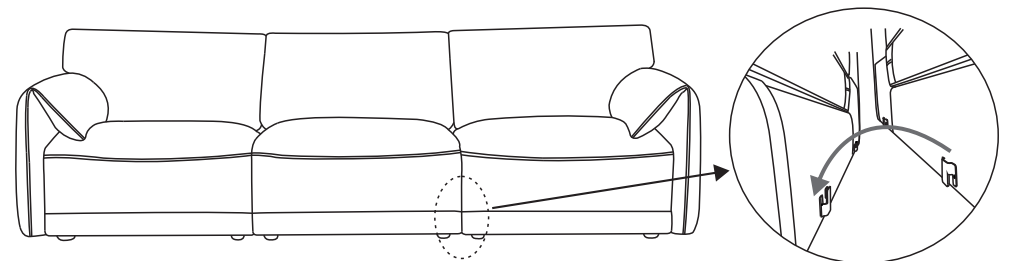


3-PC Sofa

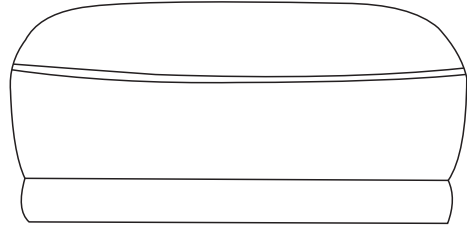
STEP 1: Connect Armless Chair to Left Chair.



STEP 2: Connect Right Chair to Armless Chair.



Components



Legs (X4)

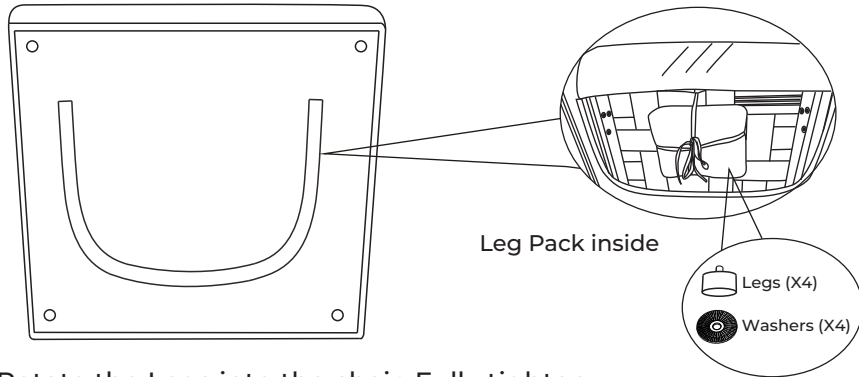


Washers (X4)

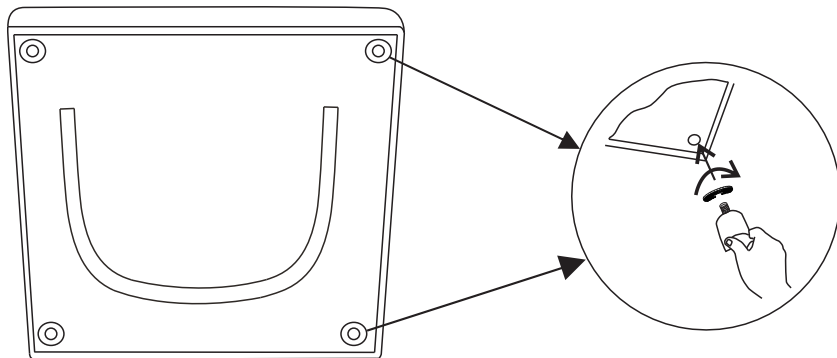


Assembly Instructions

- 1 Remove the Leg Pack from the zippered compartment at the bottom of the Ottoman.



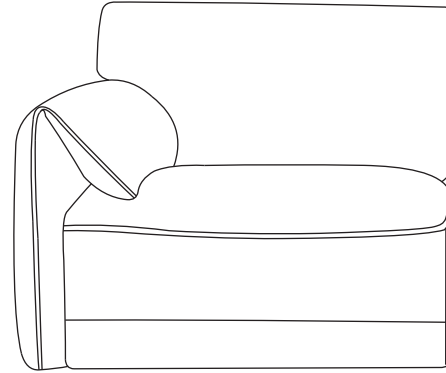
- 2 Rotate the Legs into the chair. Fully tighten.



5

Ottoman

Components



Legs (X4)

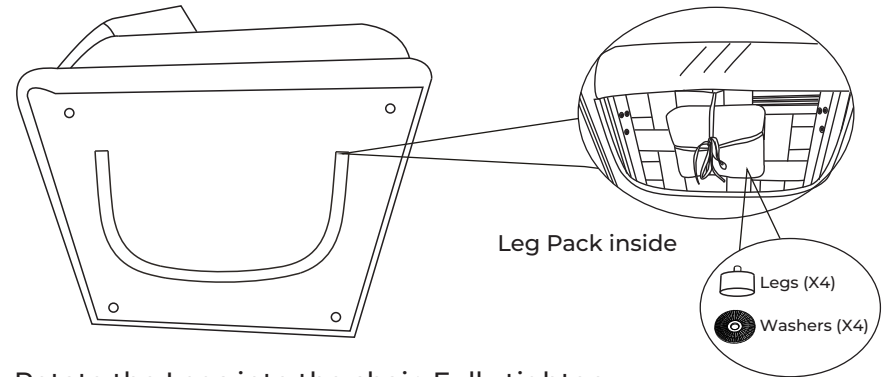


Washers (X4)

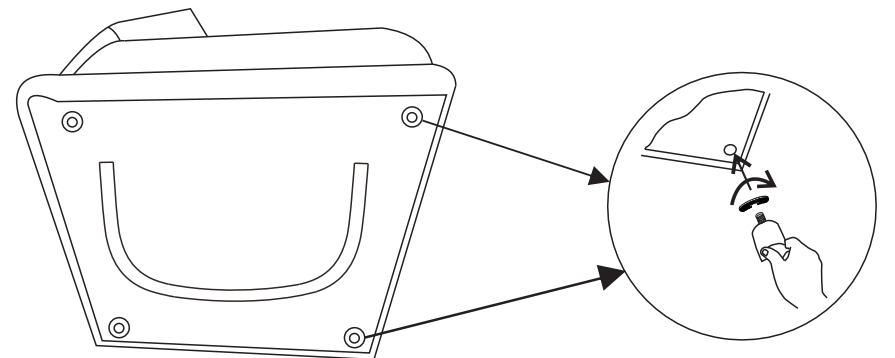


Assembly Instructions

- 1 Remove the Leg Pack from the zippered compartment at the bottom of the Left Chair.



- 2 Rotate the Legs into the chair. Fully tighten.

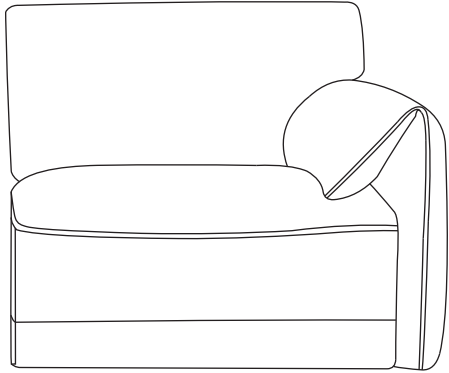


2

Left Chair

Right Chair

Components



Legs (X4)

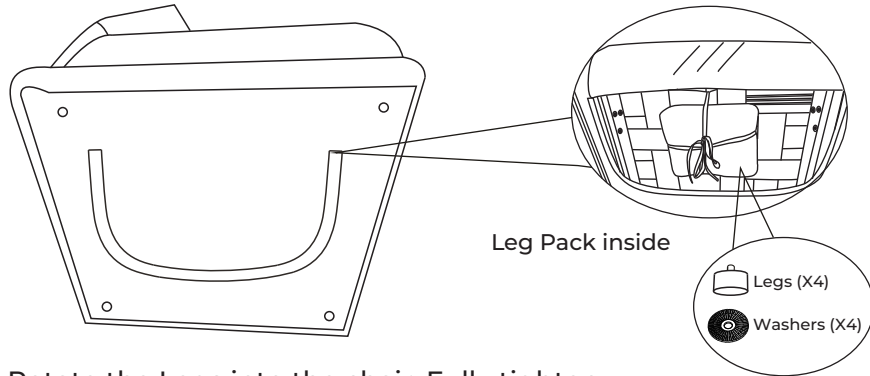


Washers (X4)

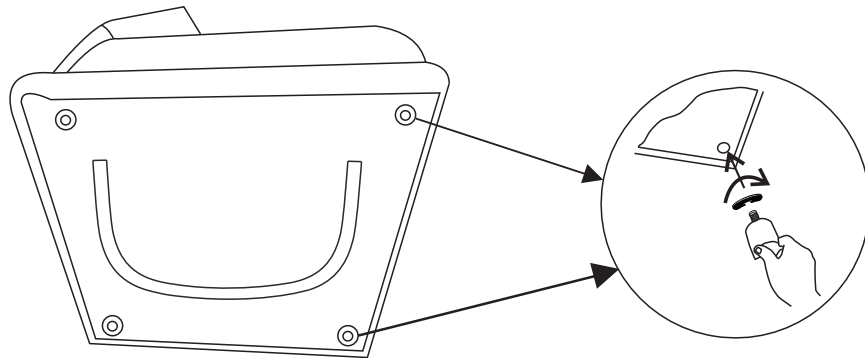


Assembly Instructions

- 1 Remove the Leg Pack from the zippered compartment at the bottom of the Right Chair.



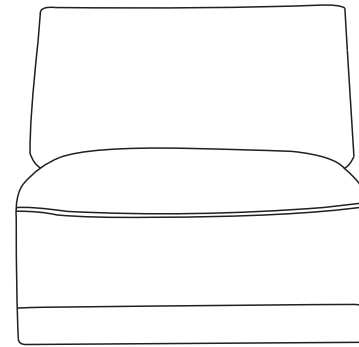
- 2 Rotate the Legs into the chair. Fully tighten.



3

Armless Chair

Components



Legs (X4)

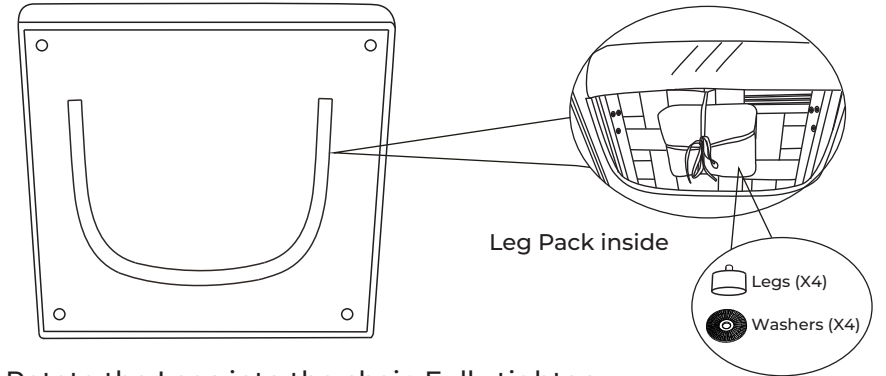


Washers (X4)

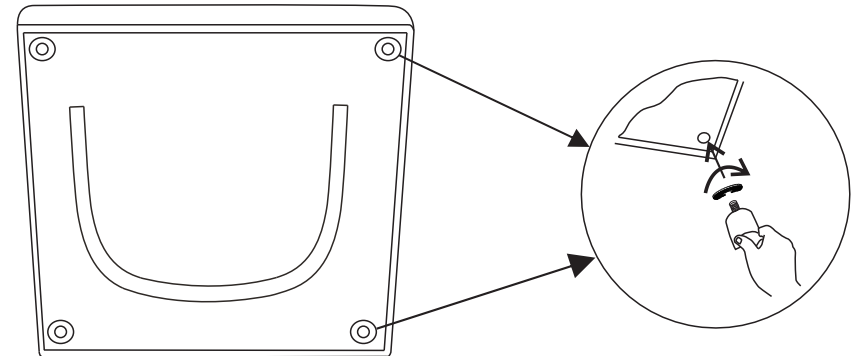


Assembly Instructions

- 1 Remove the Leg Pack from the zippered compartment at the bottom of the Armless Chair.



- 2 Rotate the Legs into the chair. Fully tighten.



4