

INSTRUCTION MANUAL

12FT x 20FT Gazebo

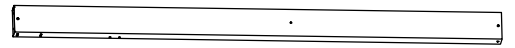
Series A53

IF YOU PURCHASED THE GAZEBO ONLINE AND HAVE ANY
QUESTIONS OR CONCERNS
PLEASE CONTACT US WITH EMAIL OR TEXT

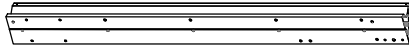
Email : Hiwarrantyservice@outlook.com
Text : +1 628 263 4608



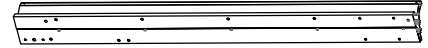
A 4x



A1 2x



B1 4x



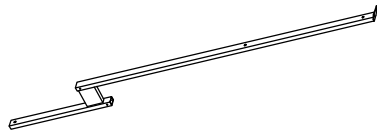
B2 4x



B7 2x



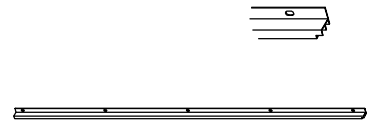
E 4x



E1 2x



C1 4x



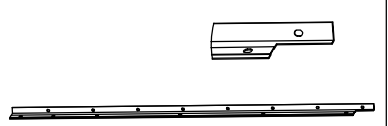
C2 4x



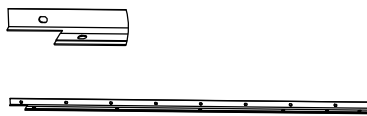
C7 2x



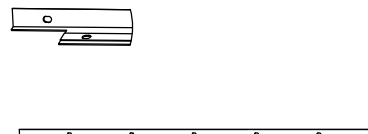
C8 2x



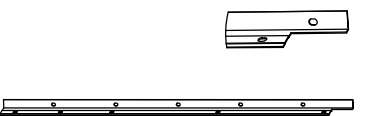
D1 4x



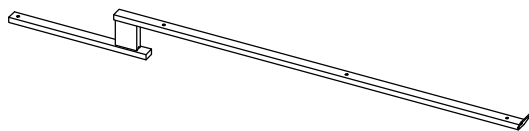
D2 4x



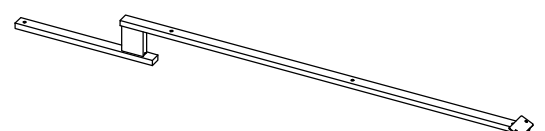
D7 2x



D8 2x



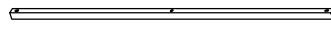
E2 4x



E3 2x



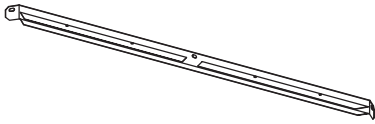
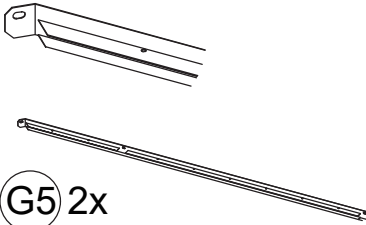
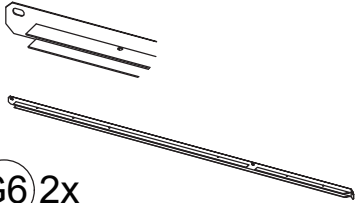
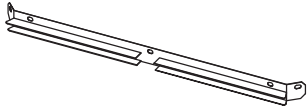
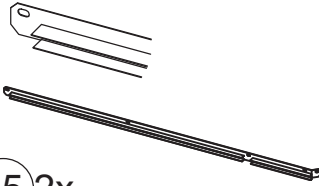
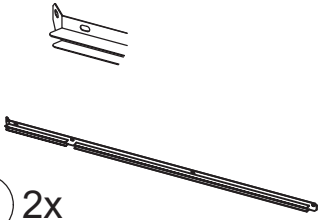


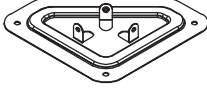
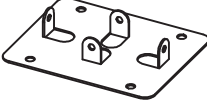
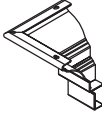

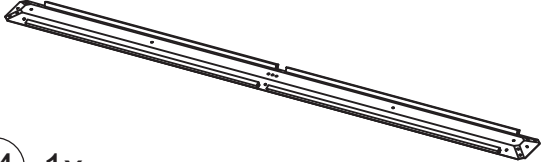
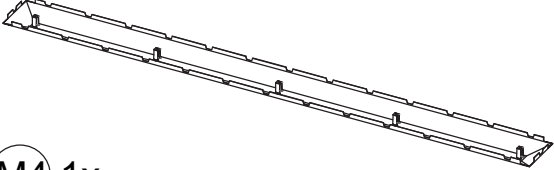



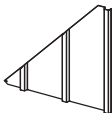
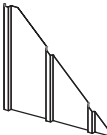
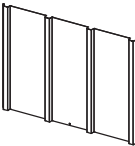
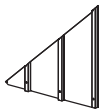
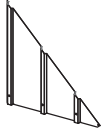
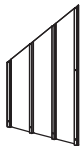





F1 8x

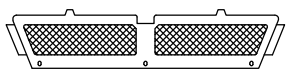
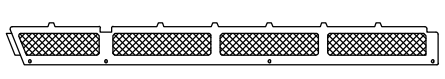
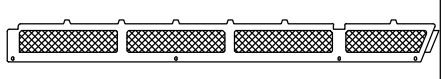
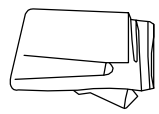
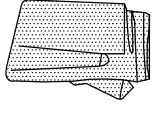

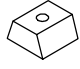
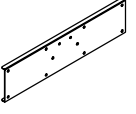
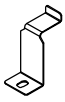
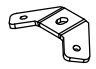
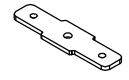
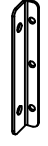
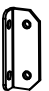
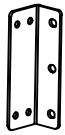
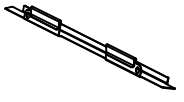
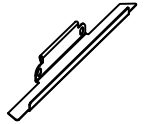
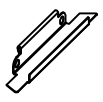










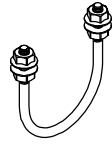






F3 4x



F5 3x

 G1 2x	 G5 2x	 G6 2x	
 I1 2x	 I5 2x	 I6 2x	
 H 4x	 H1 4x	 J 4x	 J1 2x
 K 4x	 K1 6x	 L4 1x	
 M4 1x		 N 8x	 N1 2x
 E5 4x	 S1 4x	 S2 4x	 S3 8x
 R1 4x	 R2 4x	 R3 4x	 R4 4x
 R5 4x	 R6 4x	 R8 4x	 R9 4x

 V1 2x	 V4a 2x	 V4b 2x		
 T 4x + 2x	 T1 4x + 2x	 U 152x	 Y 112x	 P 6x
 V 6x	 W 4x	 W1 8x	 W3 8x	 W4 8x
 W5 4x	 Z 64x	 Z1 8x	 Z2 8x	
 1 365x M6x15	 2 84x M6x23	 3 8x M6x25	 4 28x ST 4.8x12	
 5 3x	 6 8x M6x42	 7 12x M6x47	 8 16x	
 9 12x M6x10	 10 20x	 11 1x	 12 2x 4mm	
 13 1x 6mm	 14 1x	 15 40x M5x15		

<1>

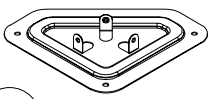
A 4x



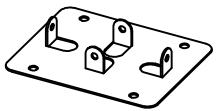
A1 2x



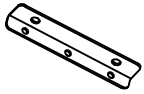
J 4x



J1 2x



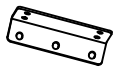
W3 8x



W4 8x



W5 4x



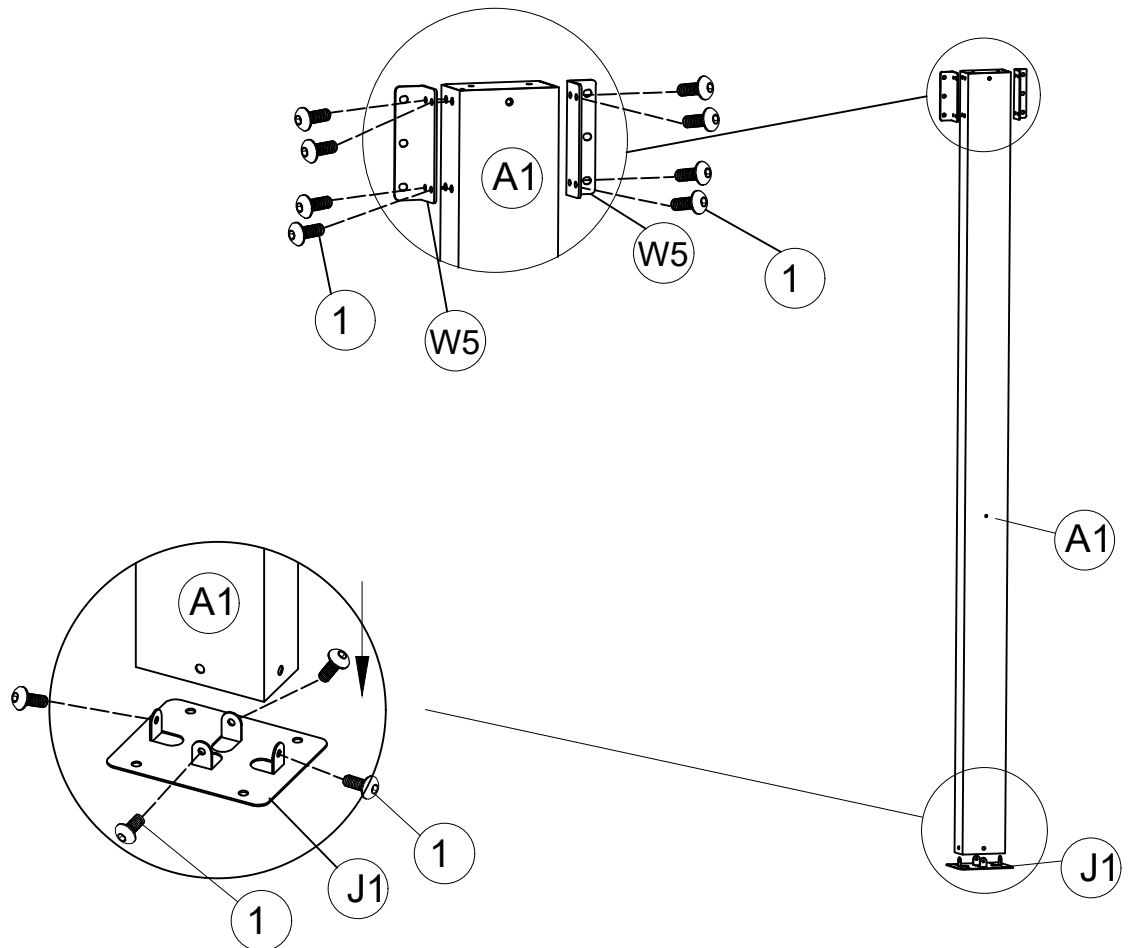
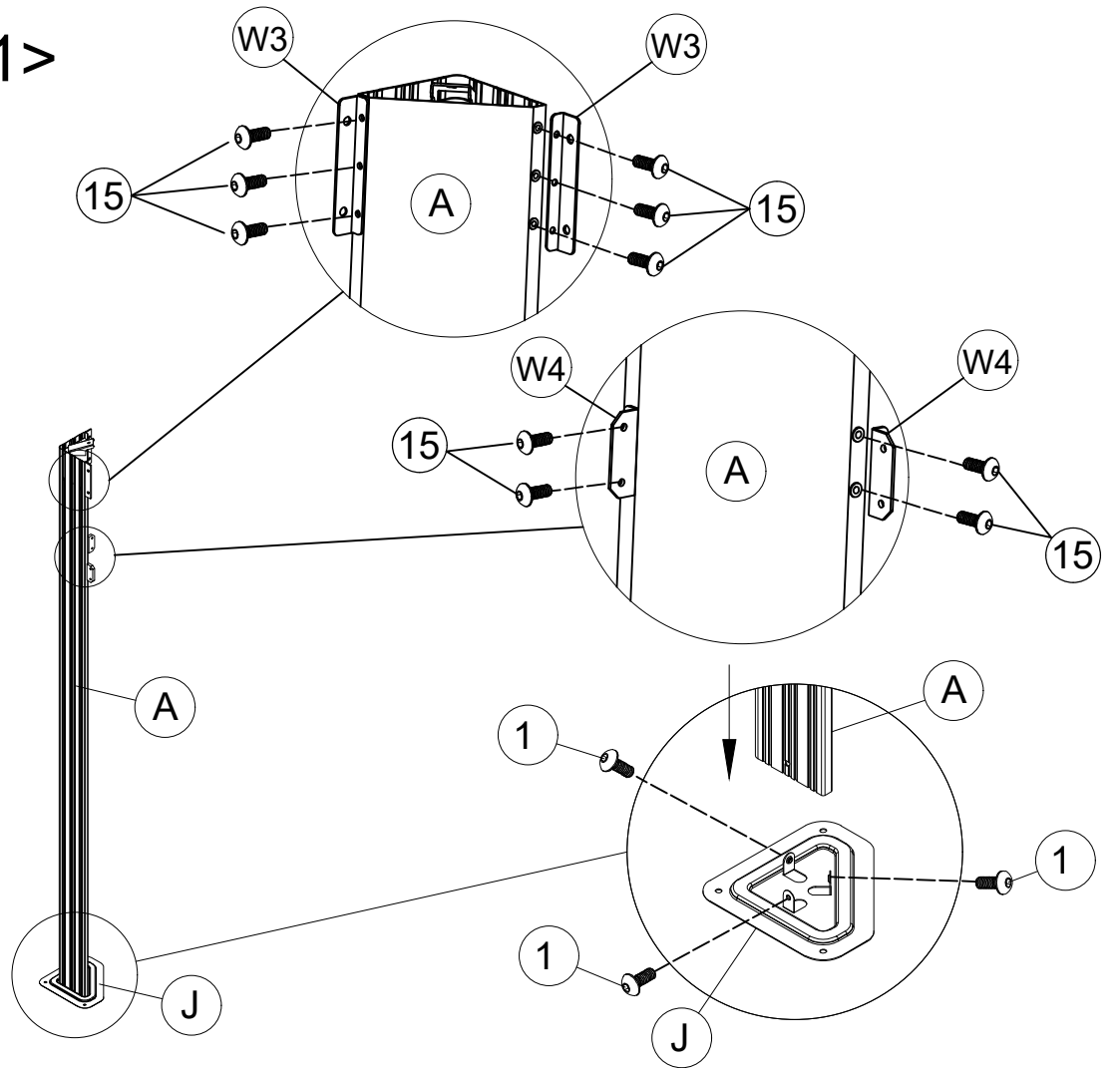
1 36x
M6x15



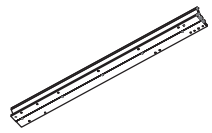
15 40x
M5x15



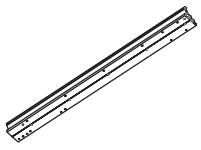
5



<2>



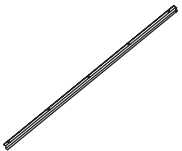
B1 2x



B2 2x



C1 2x



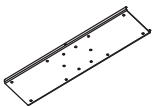
C2 2x



D1 2x



D2 2x



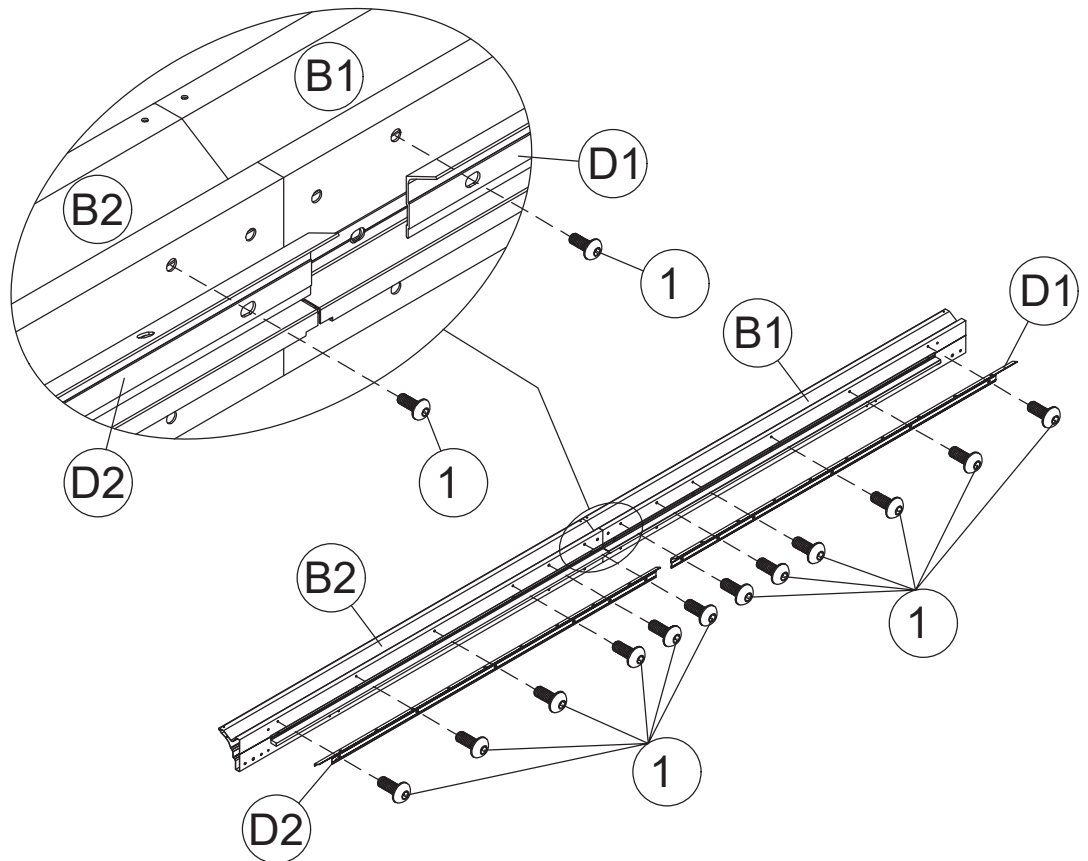
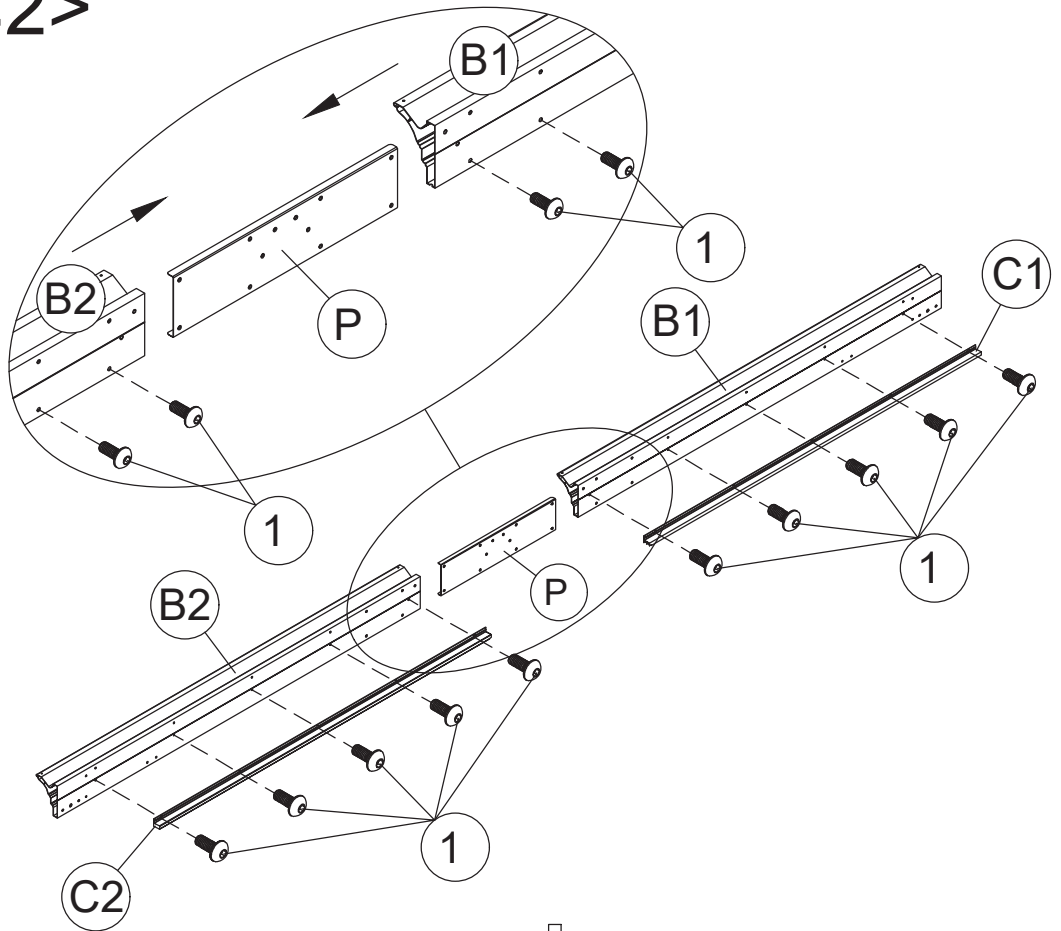
P 2x



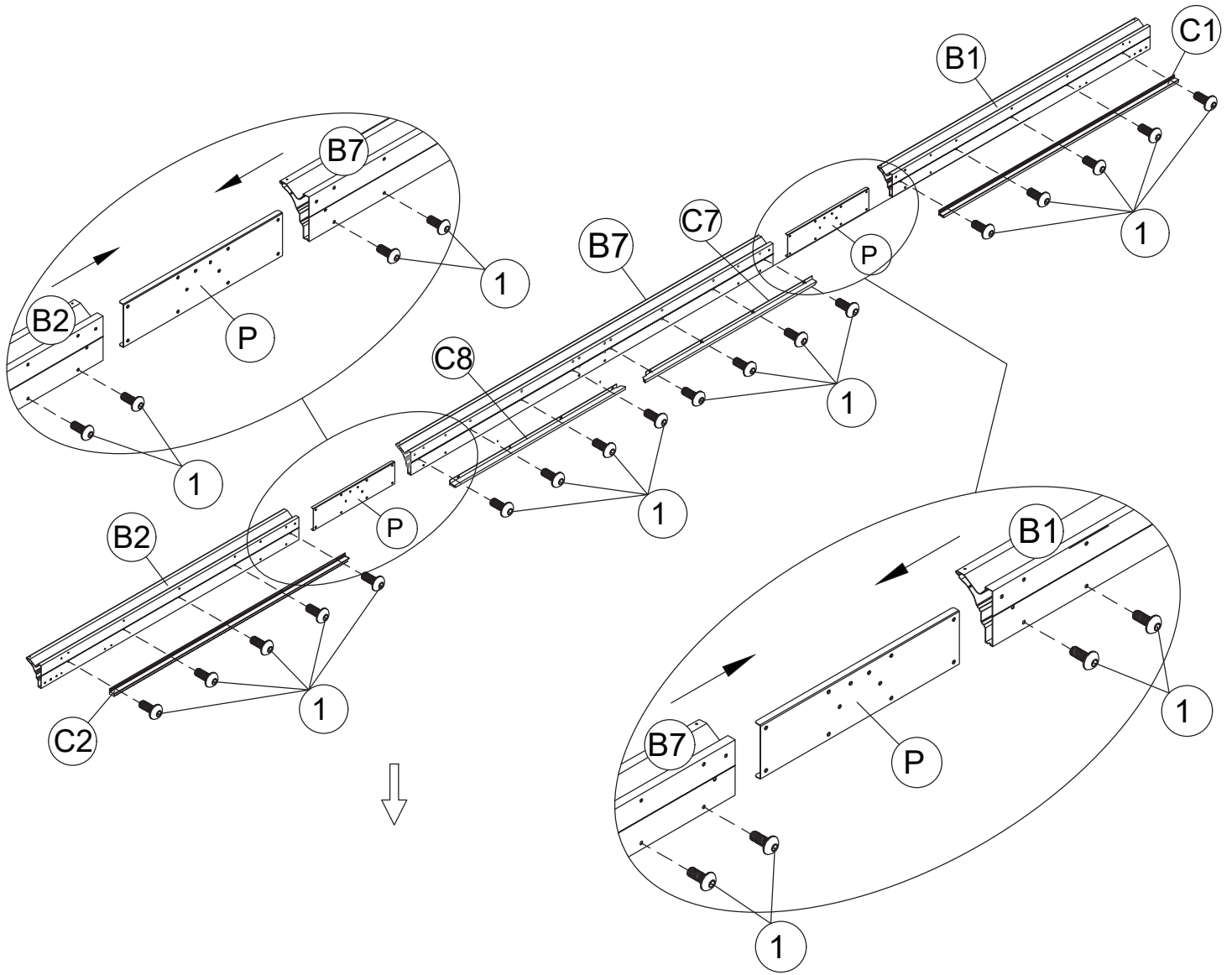
M6x15

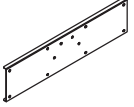

1 52x






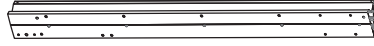

6



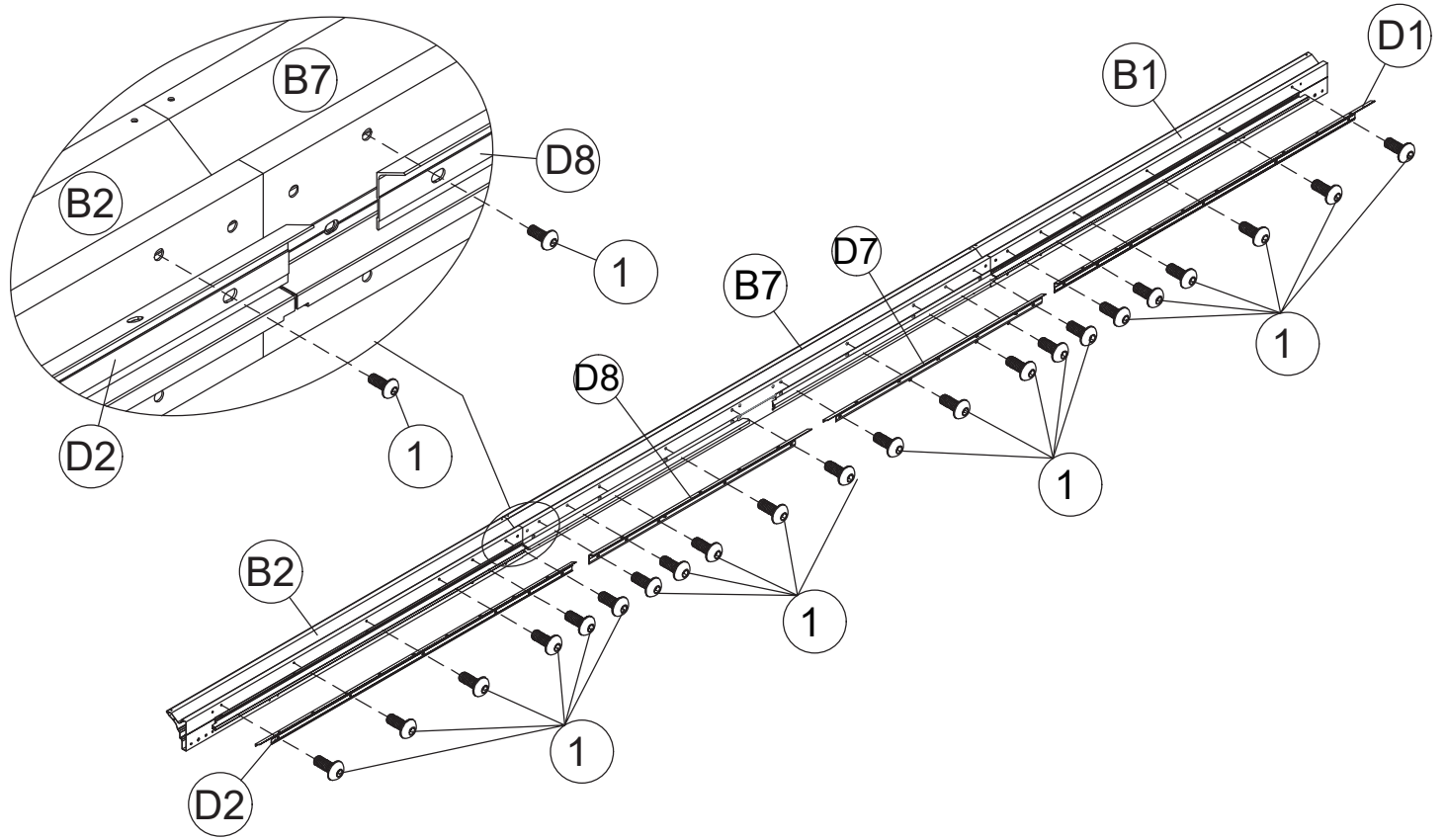
<3>




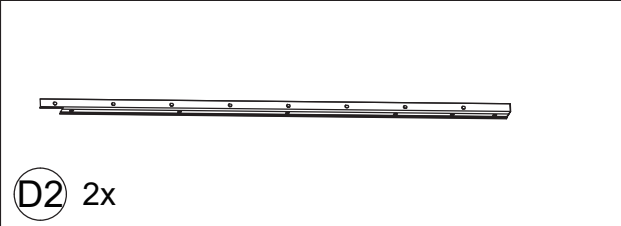
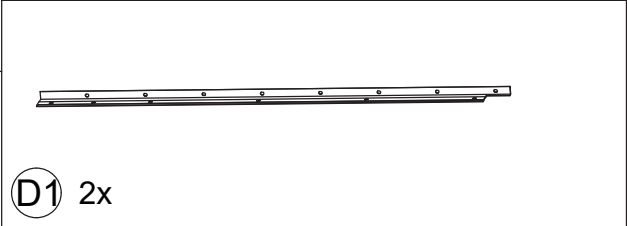

(P) 4x

(1) 52x M6x15
7

			
(C1) 2x	(C2) 2x	(C7) 2x	(C8) 2x
			
(B1) 2x	(B2) 2x	(B7) 2x	

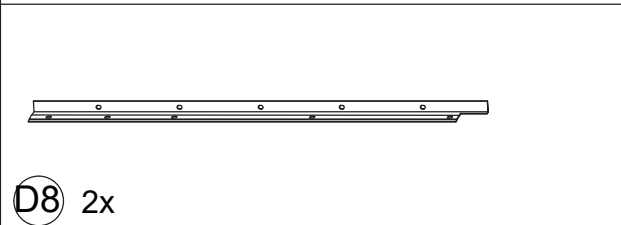
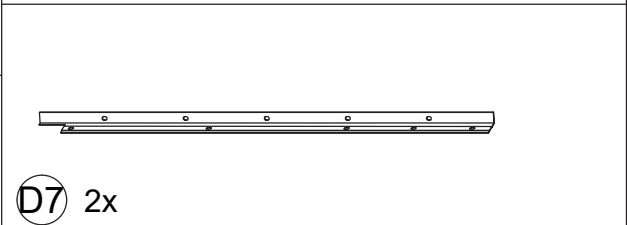
<4>




1 44 M6x15



8





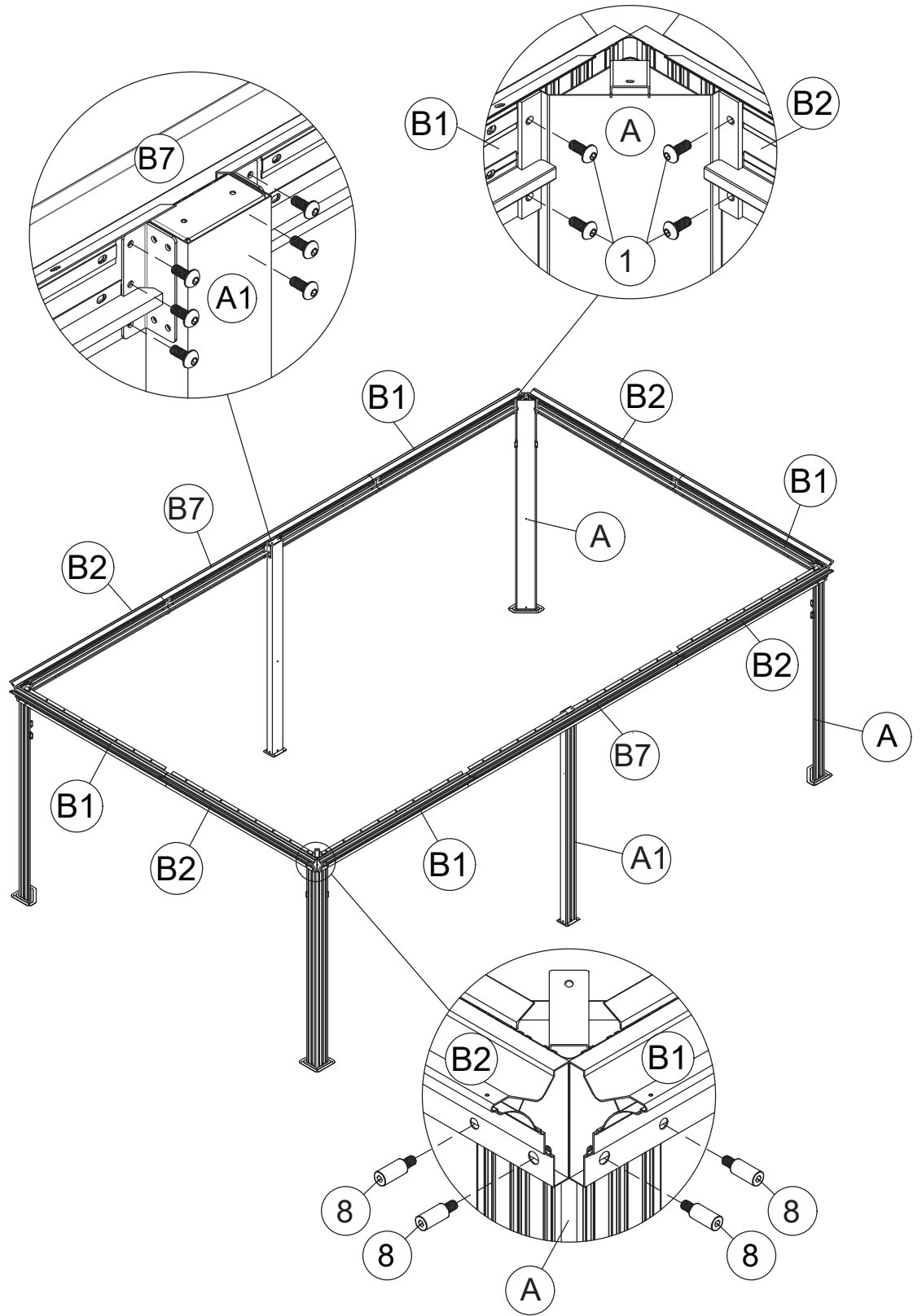
<5>

M6x15

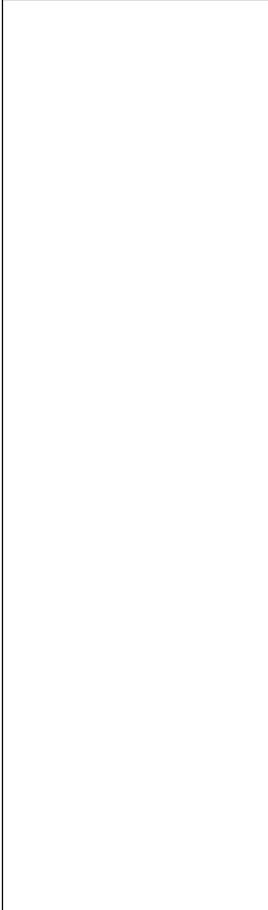
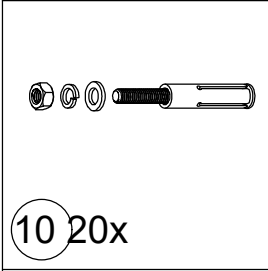
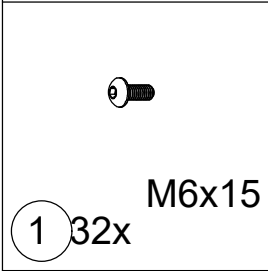
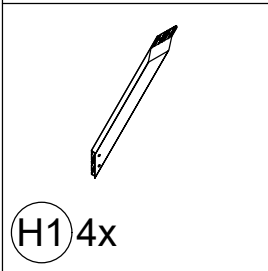
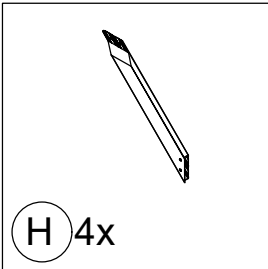
1 28x



8 16x

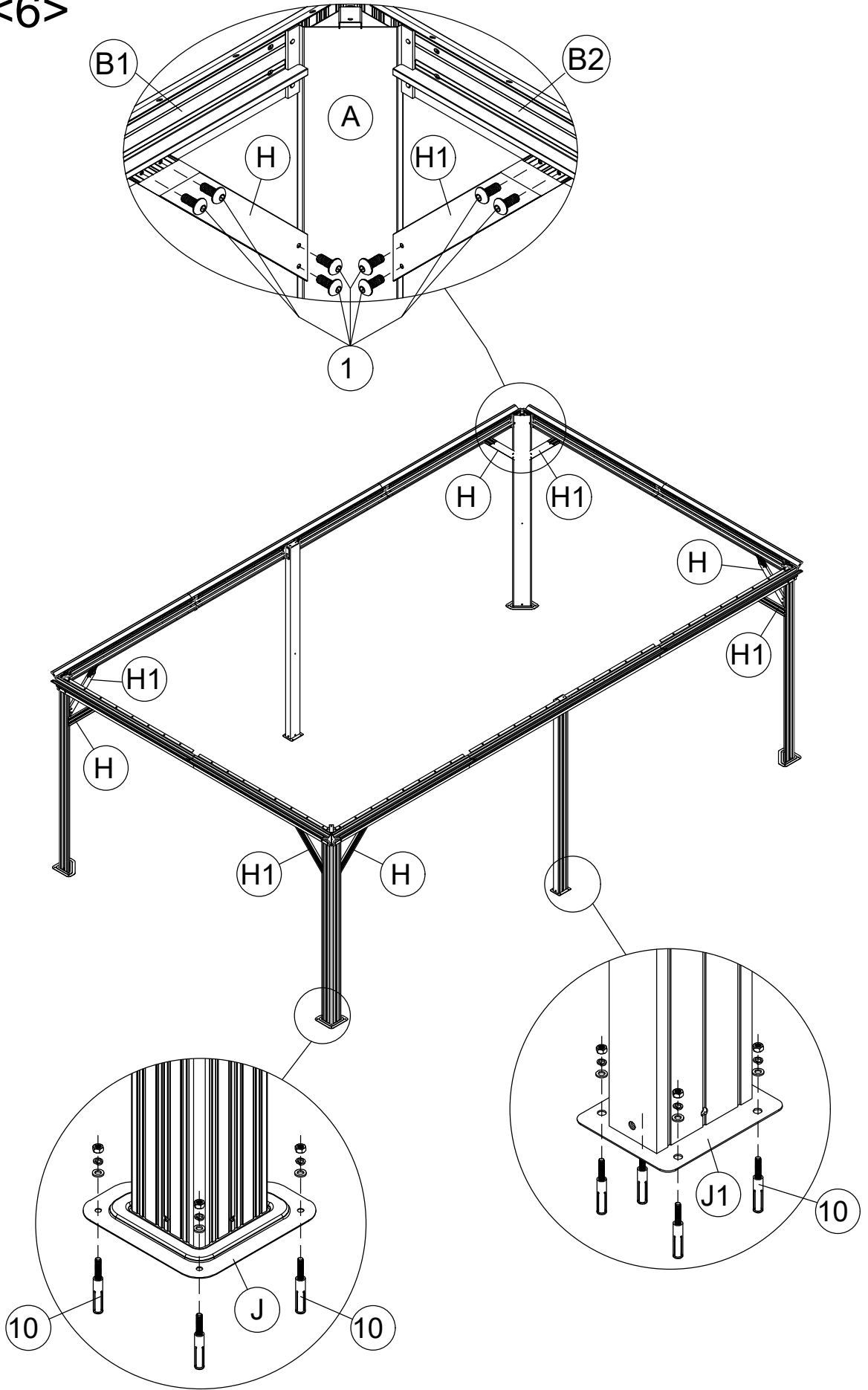


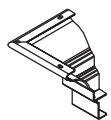
9



10

<6>





<7>

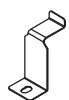
(K) 4x



(K1) 6x



(U) 152x



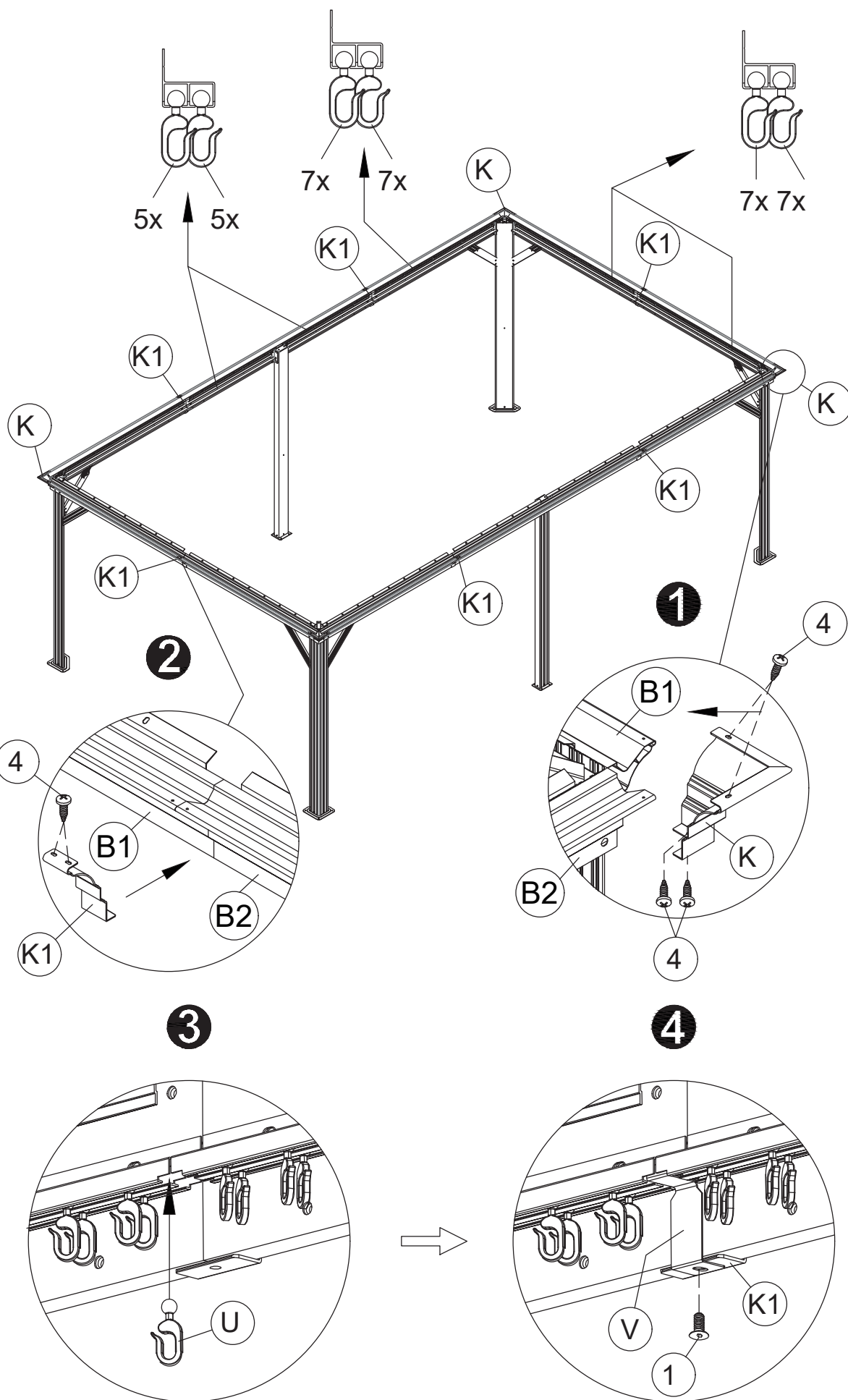
(V) 6x

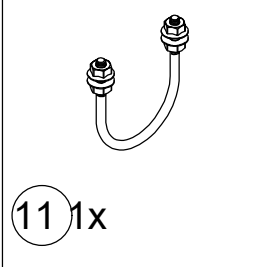
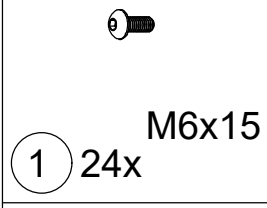
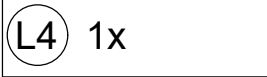
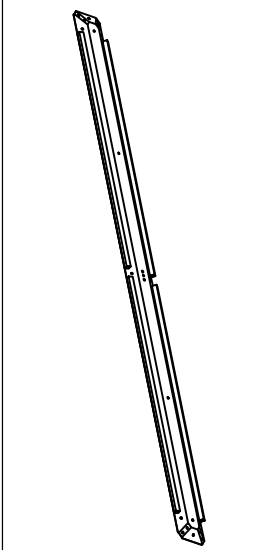
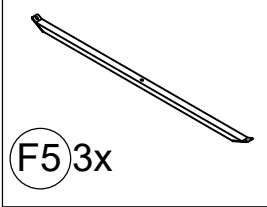
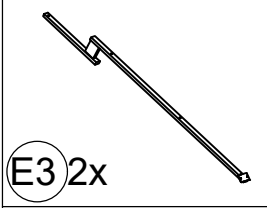
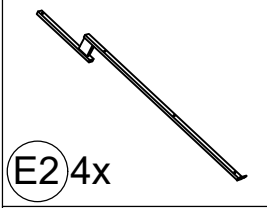


(1) 6x M6x15



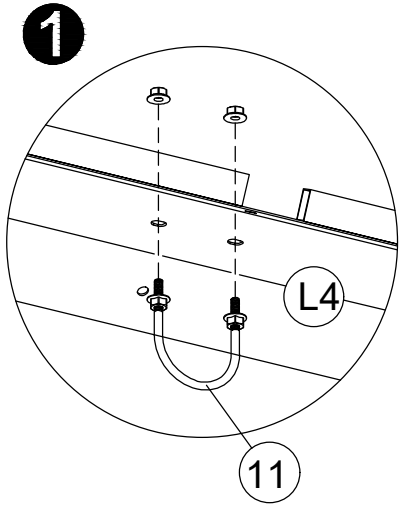
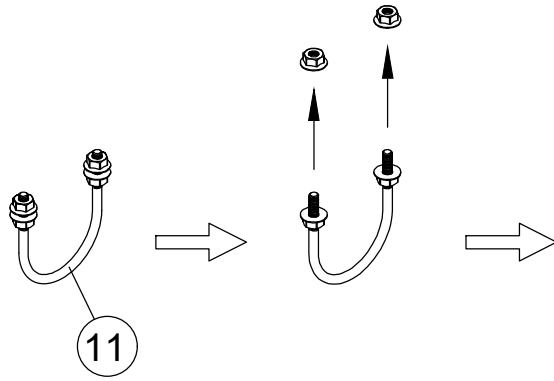
(4) 28x ST4.8x12



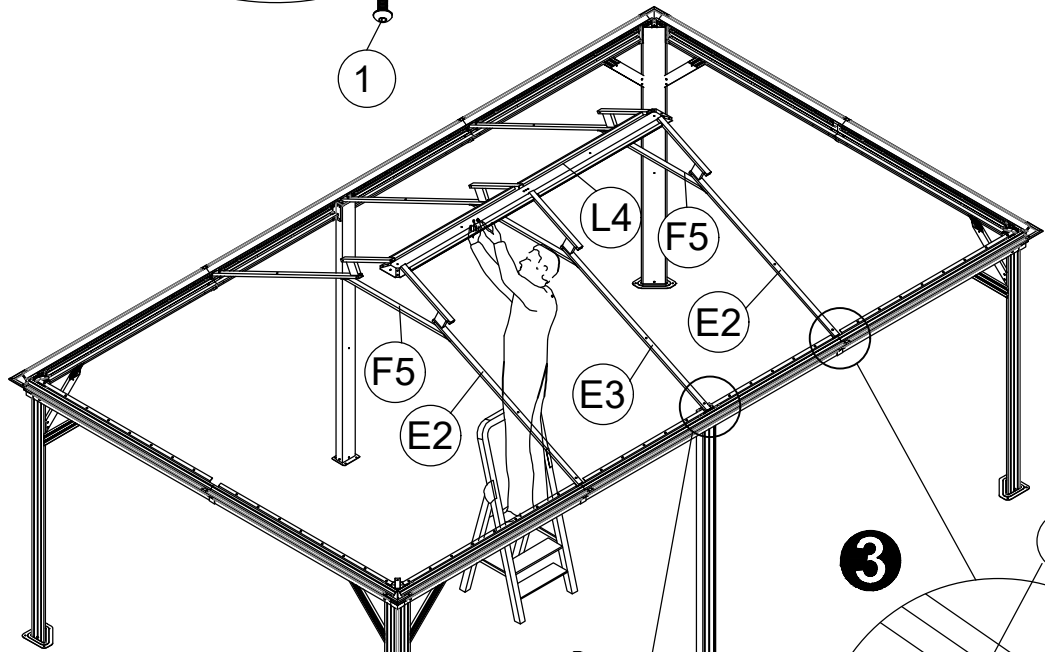
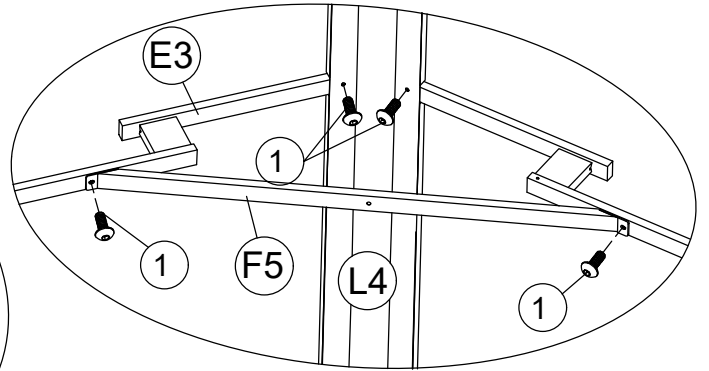
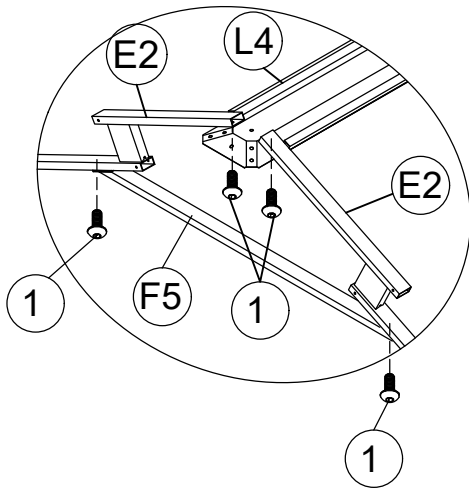


12

<8>

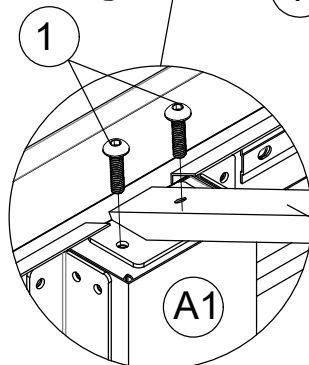


2

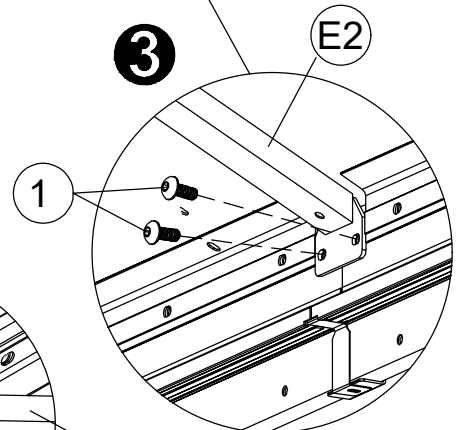


Note:
1. Let one person stand on the ladder to lift "L4" and hold and let others fasten the screws connecting both ends of "E2"&"E3".
2. Please do not let go of holding "L4" until all the "E2"&"E3" screws are installed.

4

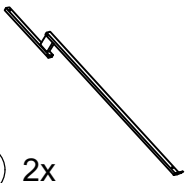


3

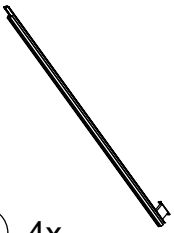


<9>

E1 2x



E 4x



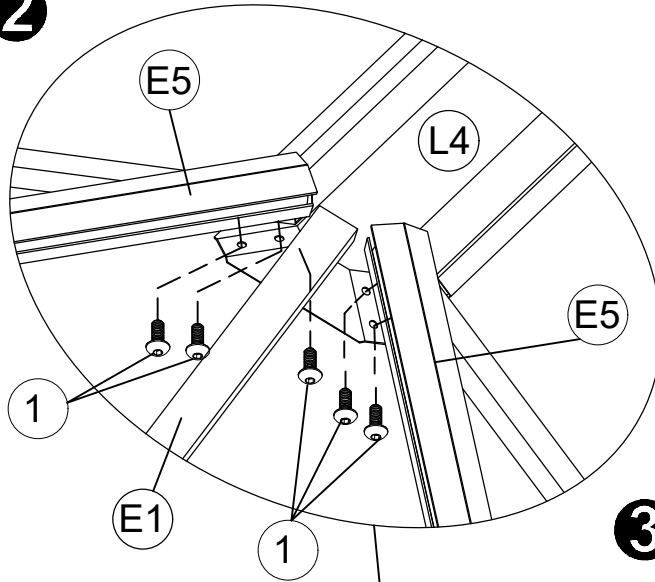
E5 4x



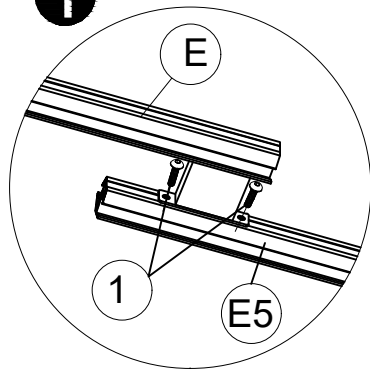
1 26x M6x15



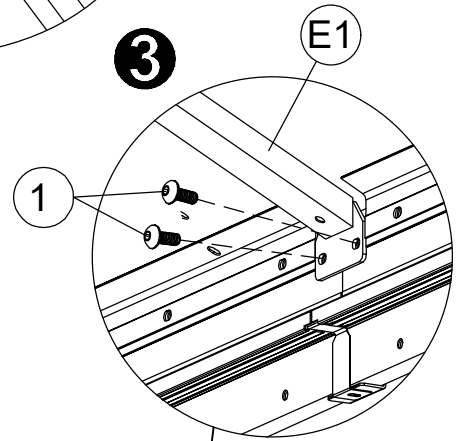
2



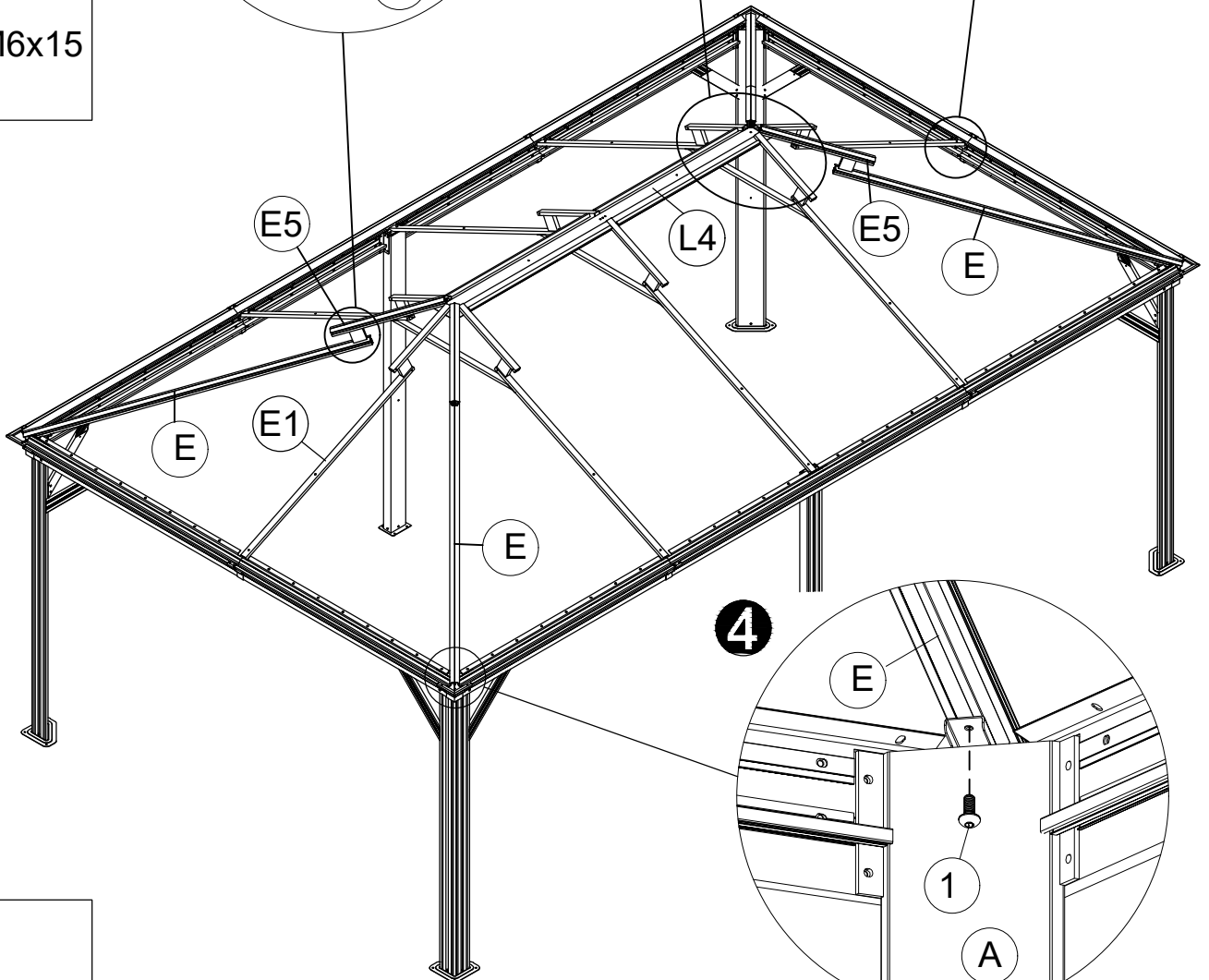
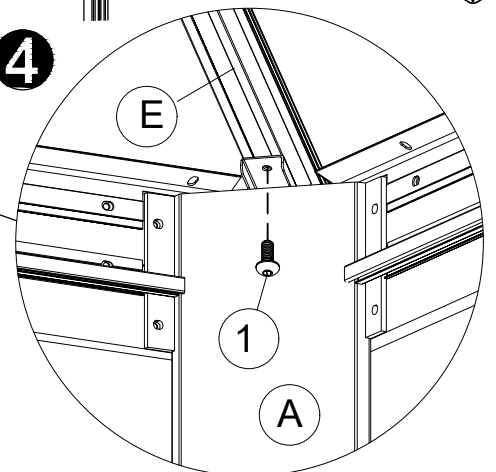
1



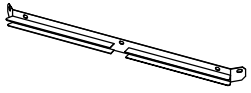
3



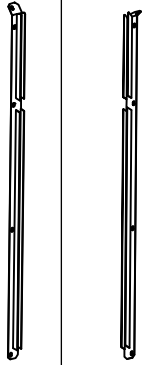
4



<10>



I1 2x



I5 2x

I6 2x



N 4x

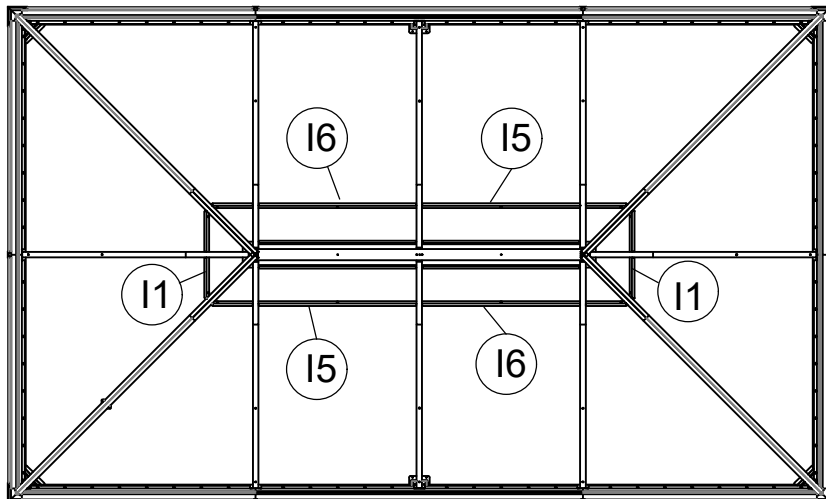
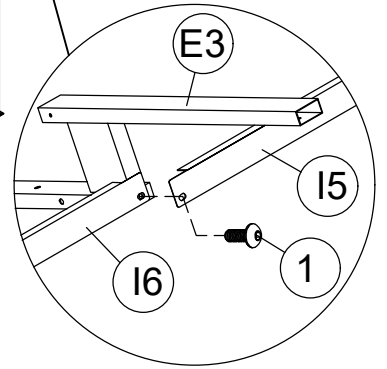
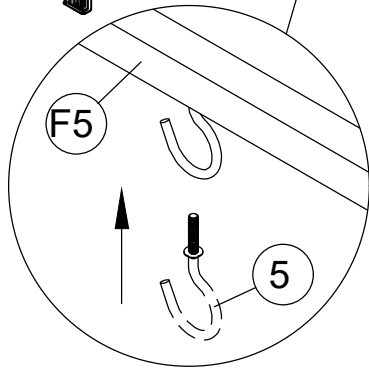
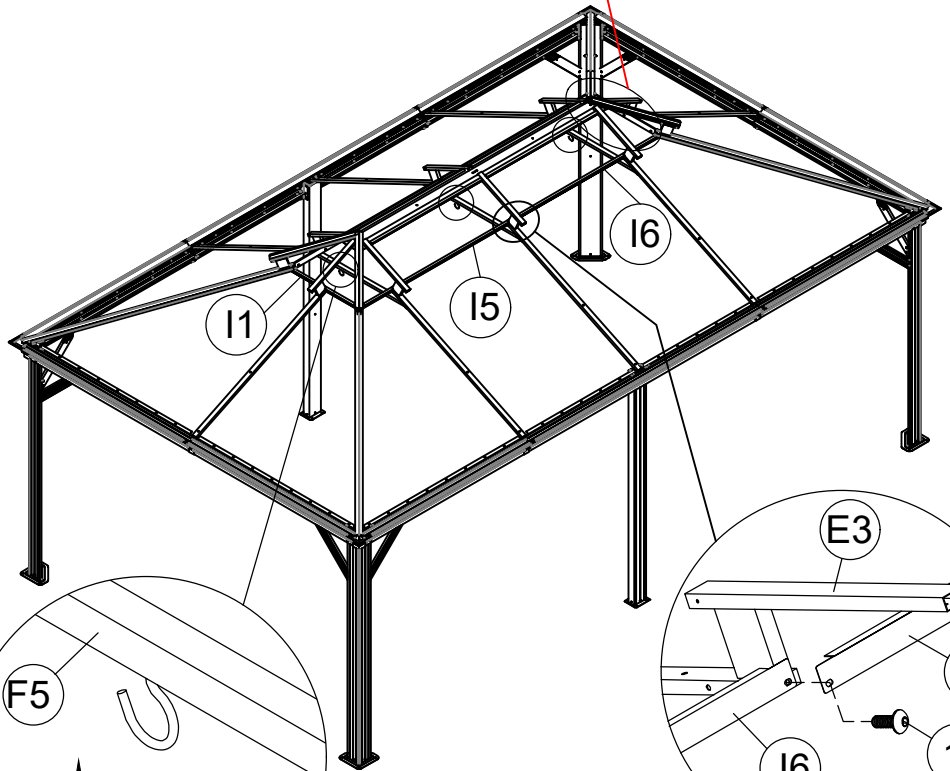
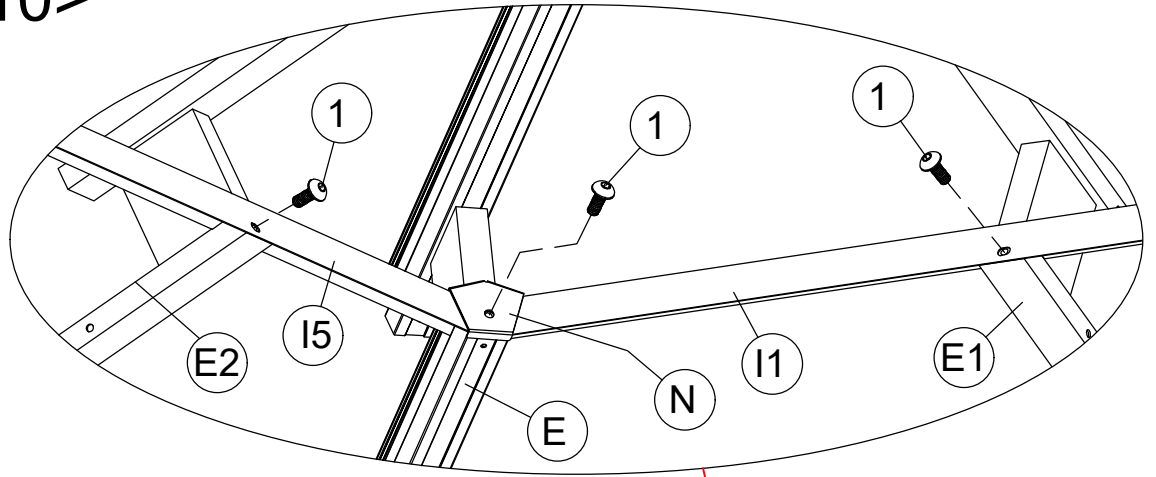


M6x15

1 12x

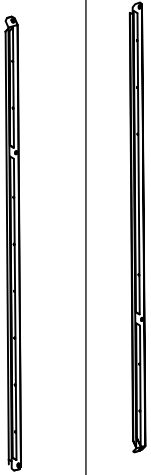


5 3x



<11>

G1 2x



G5 2x

G6 2x



N 4x

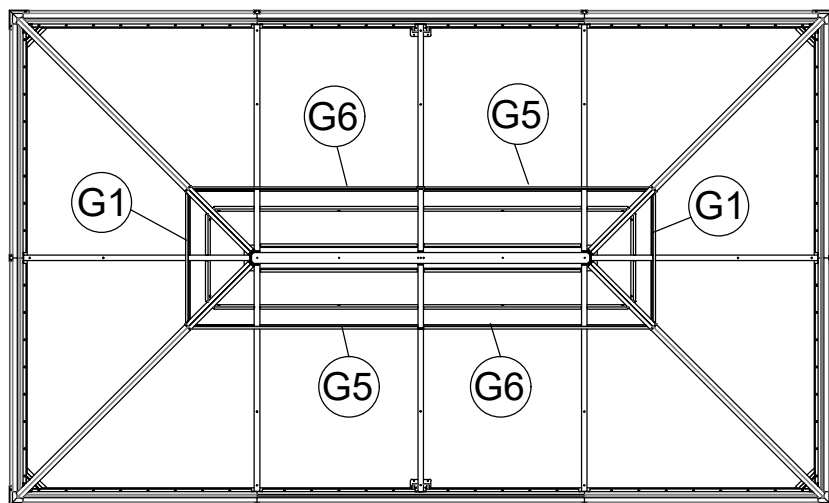
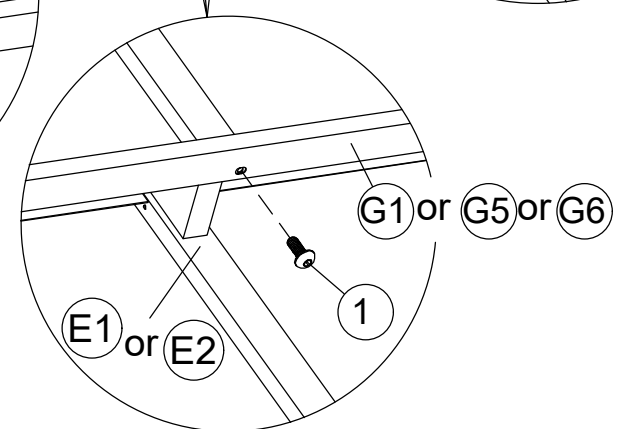
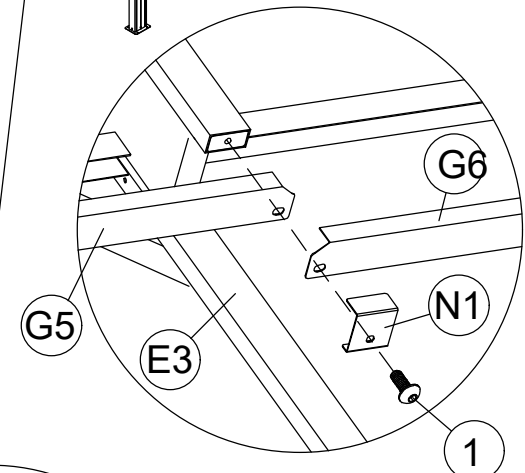
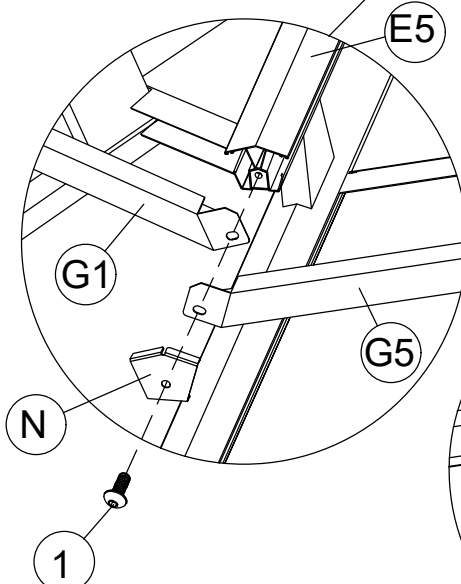
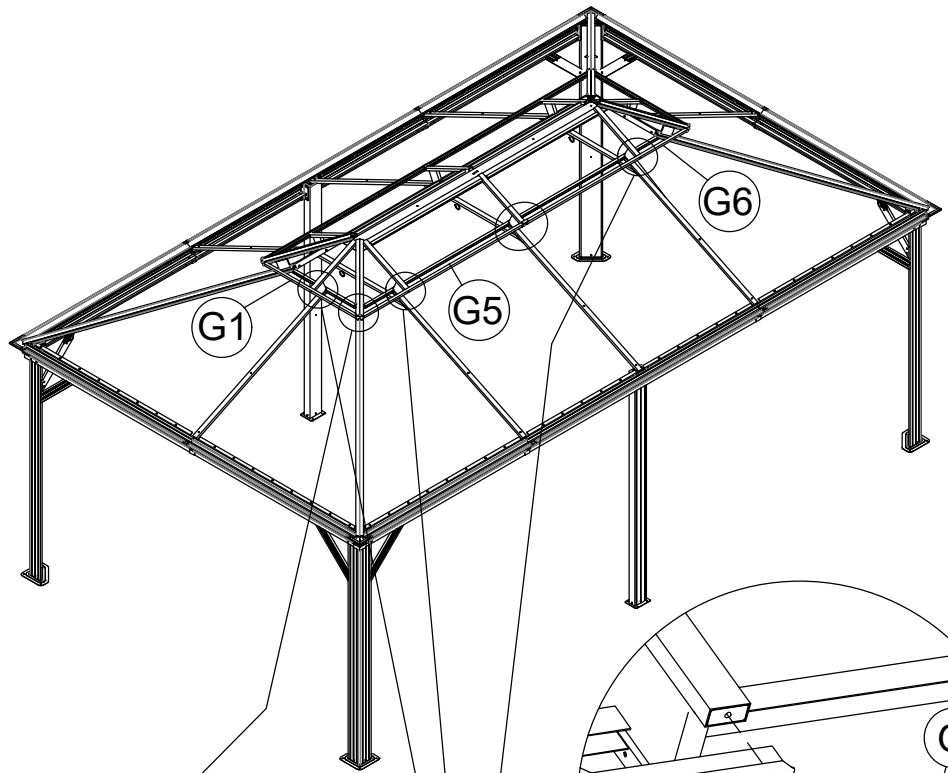


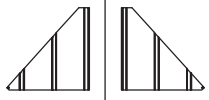
N1 2x



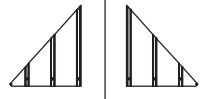
1 12x

M6x15

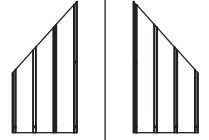




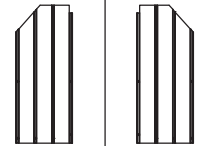
S1 2x S2 2x



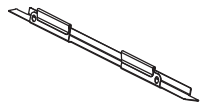
R1 2x R2 2x



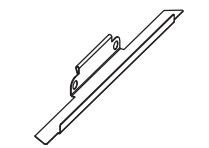
R3 2x R4 2x



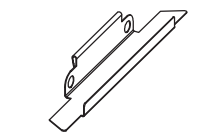
R5 2x R6 2x



Z 32x

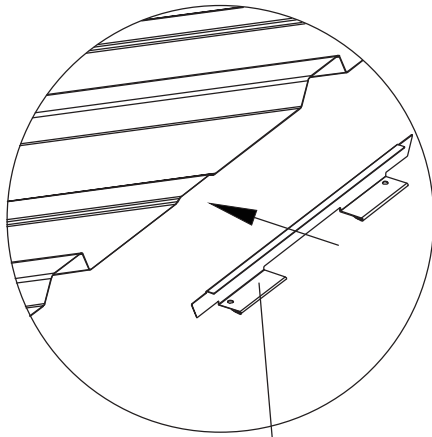


Z1 4x

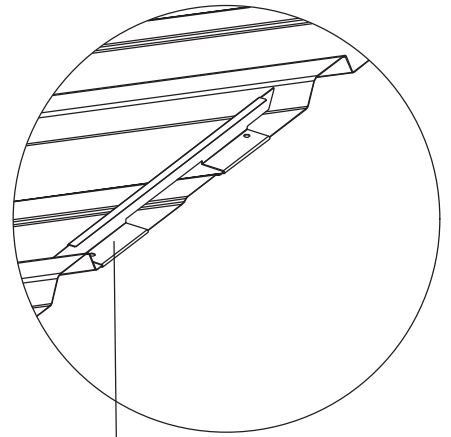
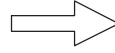


Z2 4x

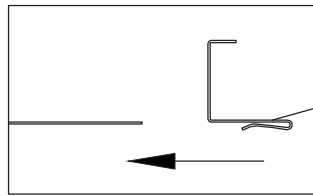
<12>



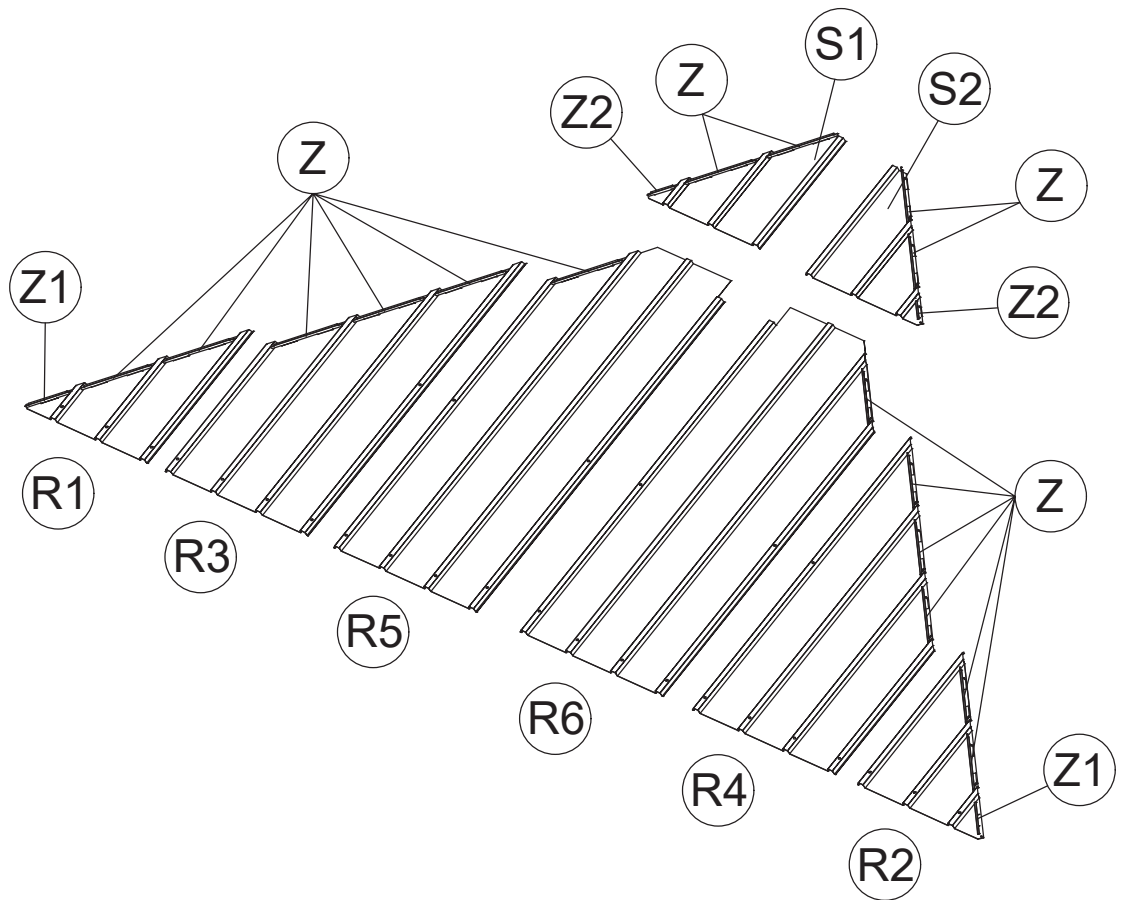
Z or Z1 or Z2

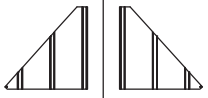


Z or Z1 or Z2

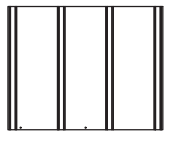


Z or Z1 or Z2





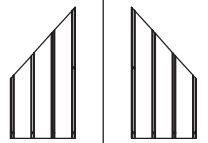
(S1) 2x (S2) 2x



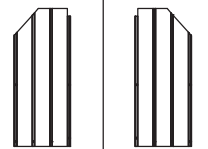
(S3) 8x



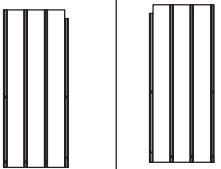
(R1) 2x (R2) 2x



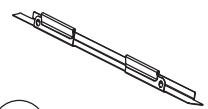
(R3) 2x (R4) 2x



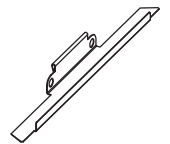
(R5) 2x (R6) 2x



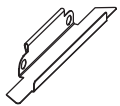
(R8) 4x (R9) 4x



(Z) 32x

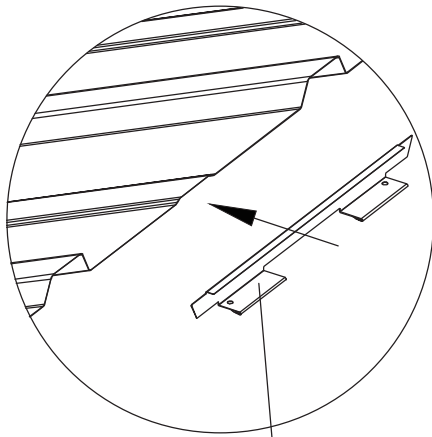


(Z1) 4x

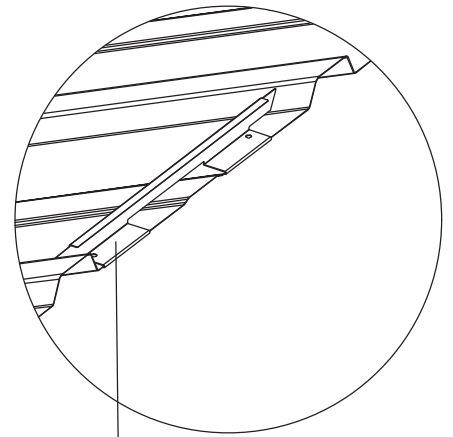


(Z2) 4x

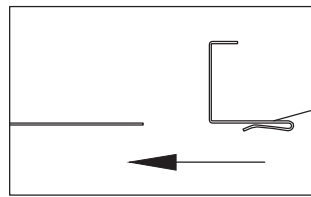
<13>



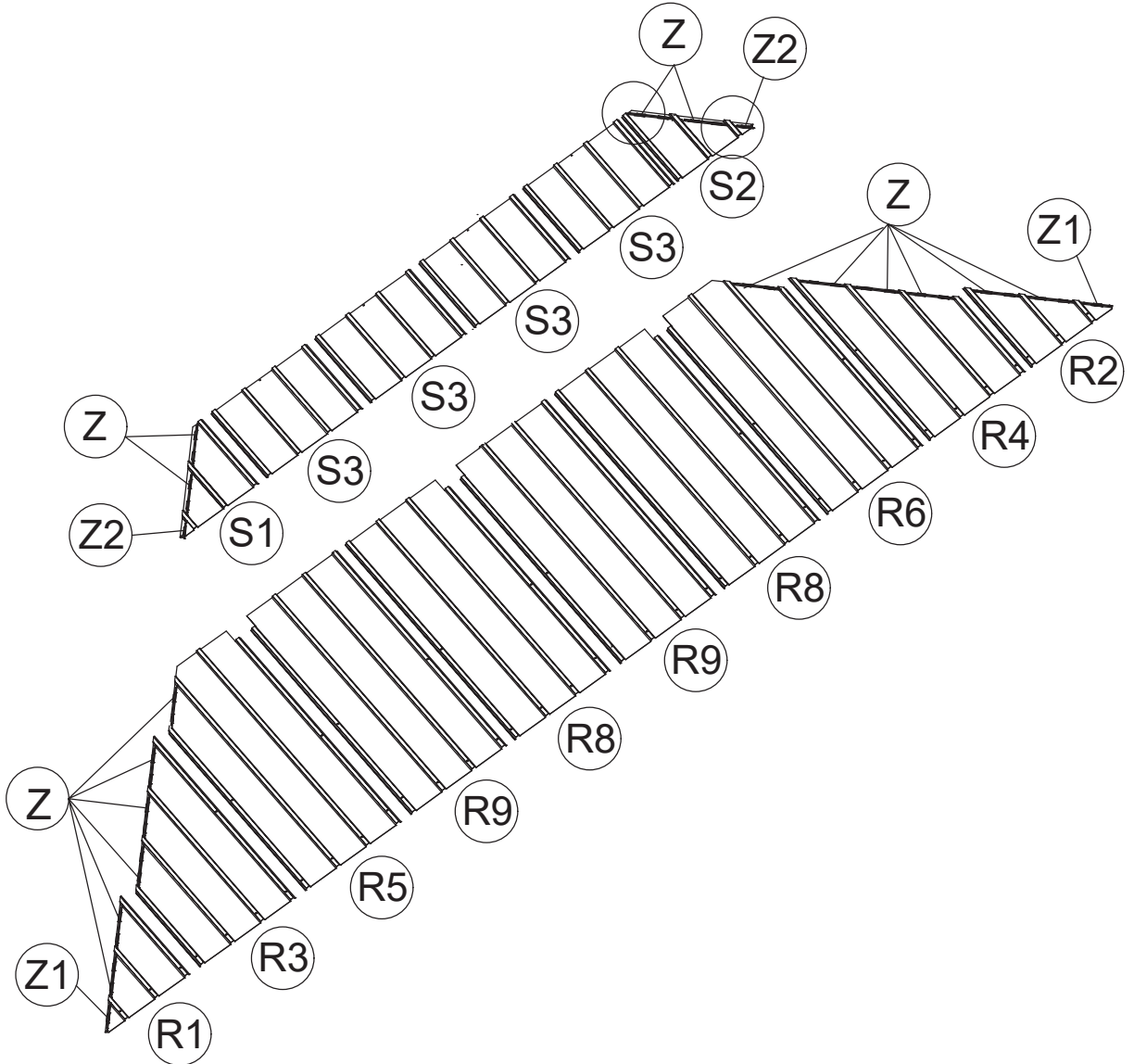
(Z) or (Z1) or (Z2)



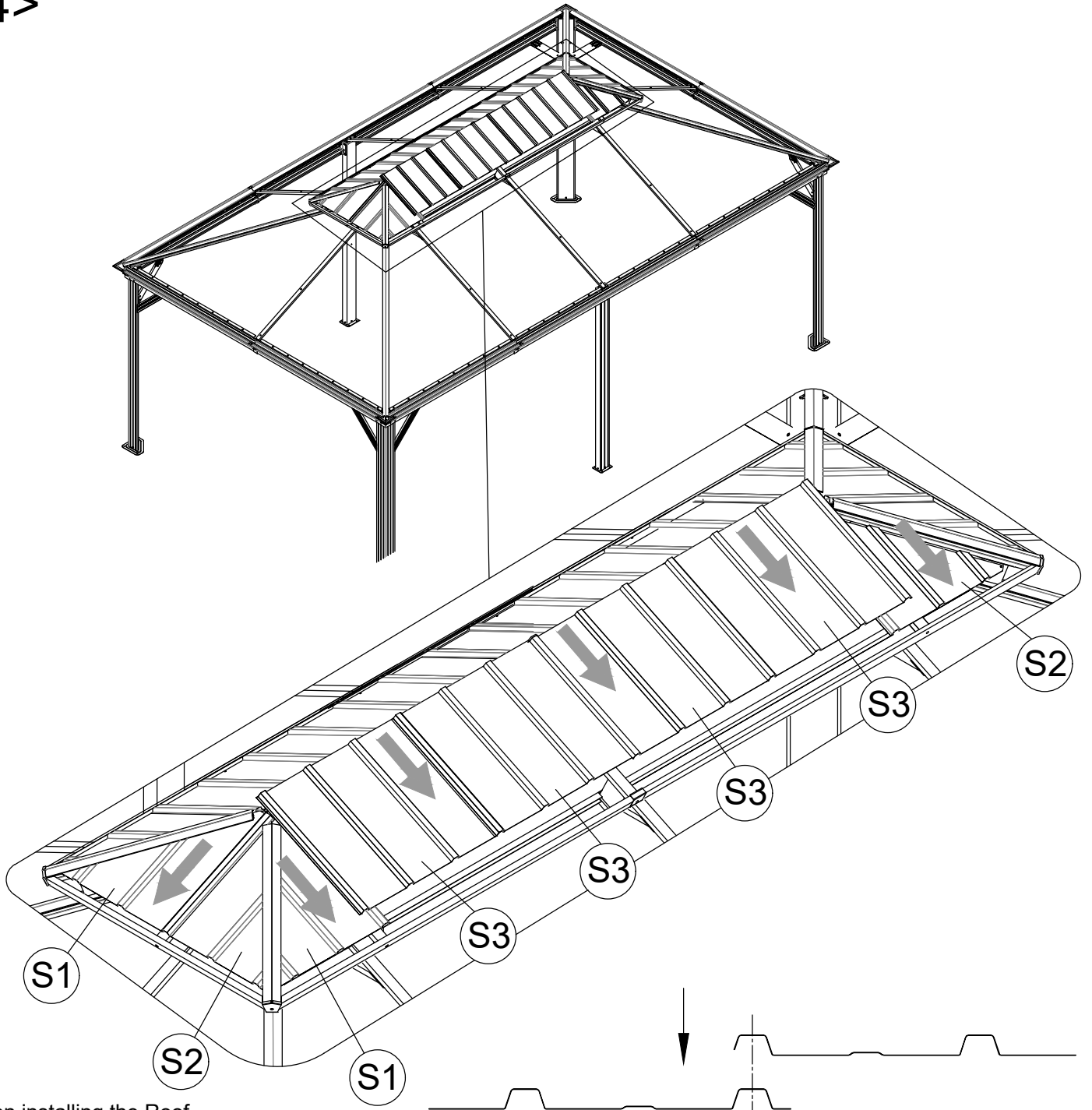
(Z) or (Z1) or (Z2)



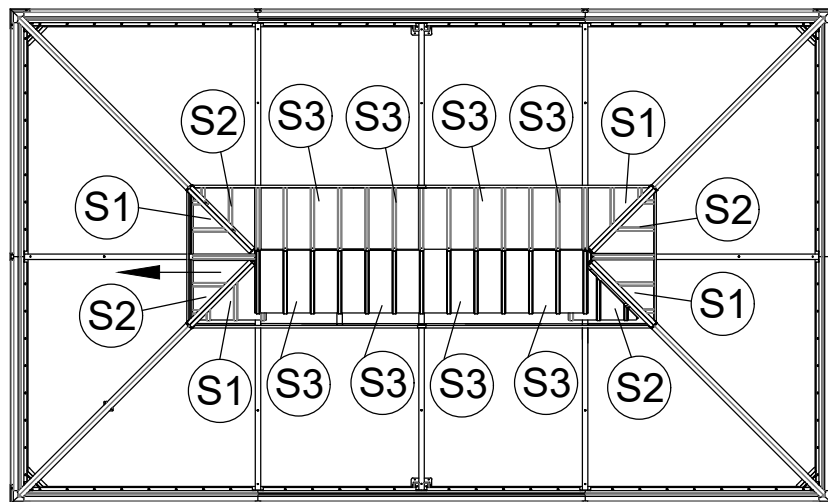
(Z) or (Z1) or (Z2)



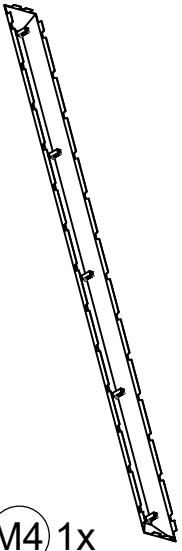
<14>



When installing the Roof plates (S2) onto short side, pls detach the right end of Roof Rib(G1) first. And then install the right end of Roof Rib (G1) again after S2 is installed.



<15>

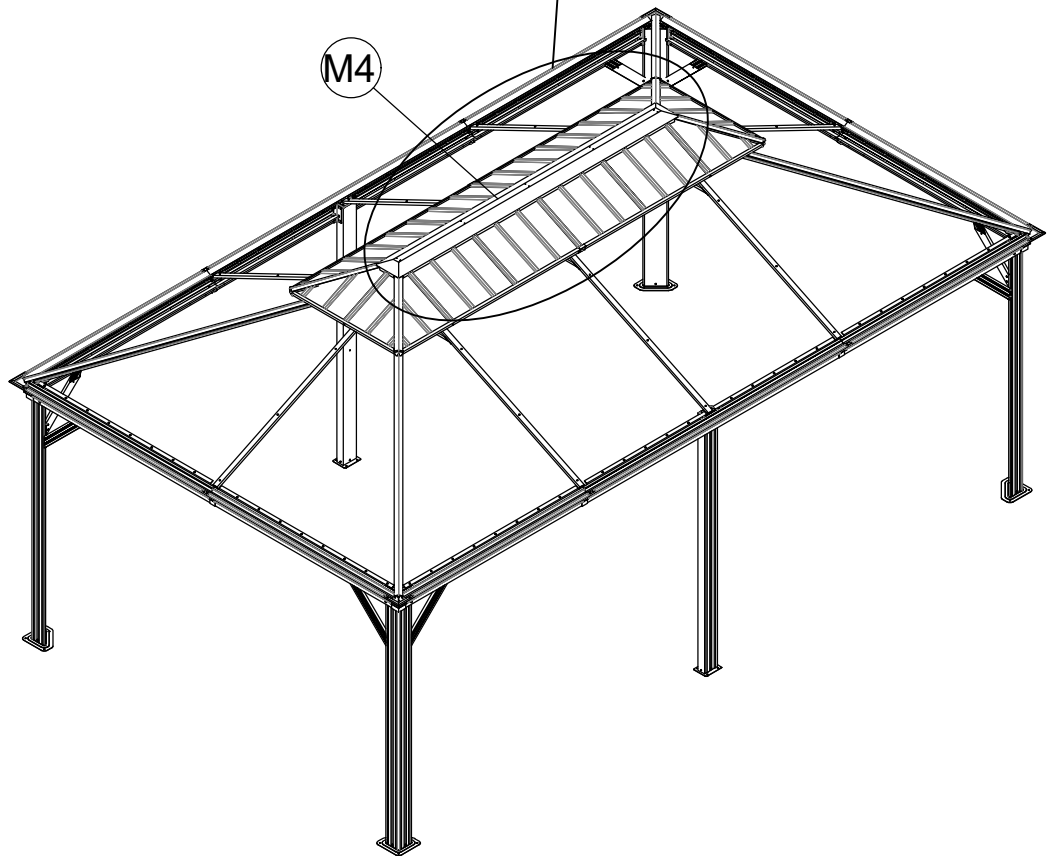
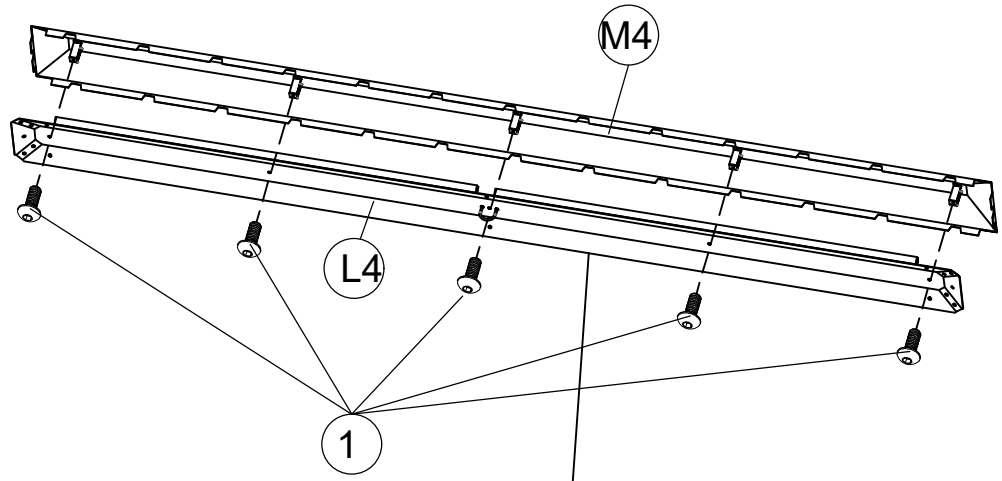


M4 1x

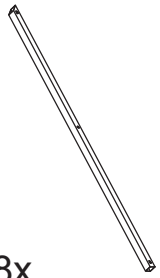


M6x15

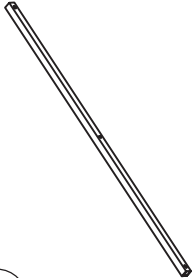
1 5x



<16>



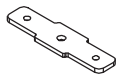
F1 8x



F3 4x



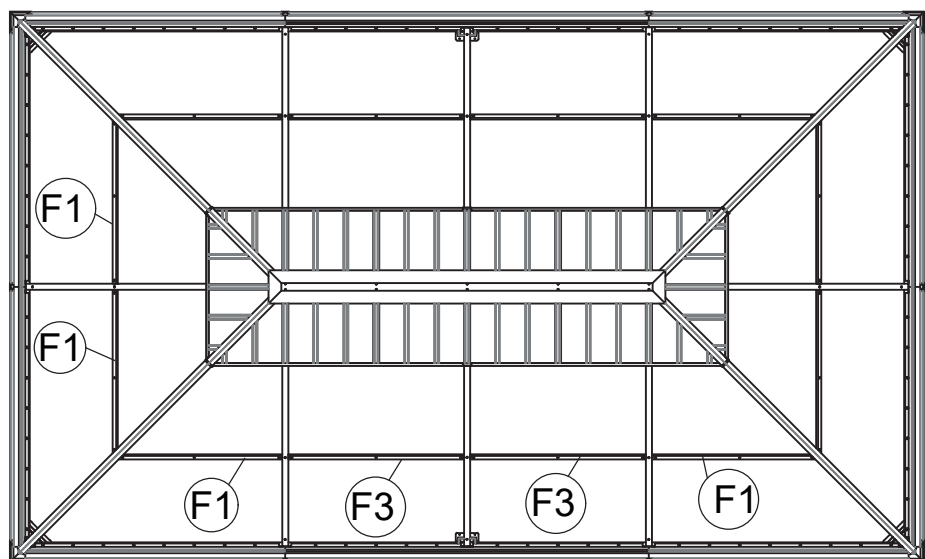
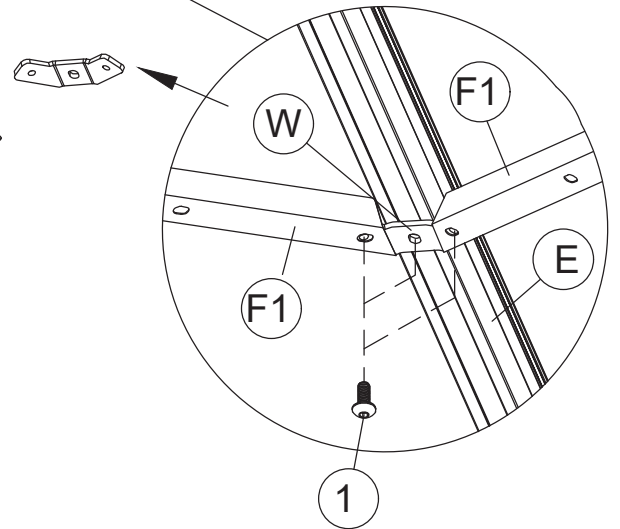
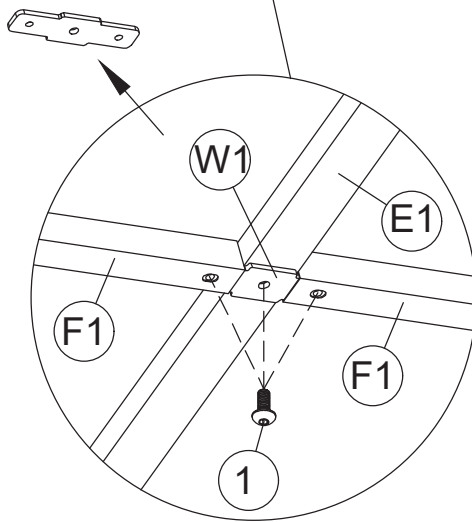
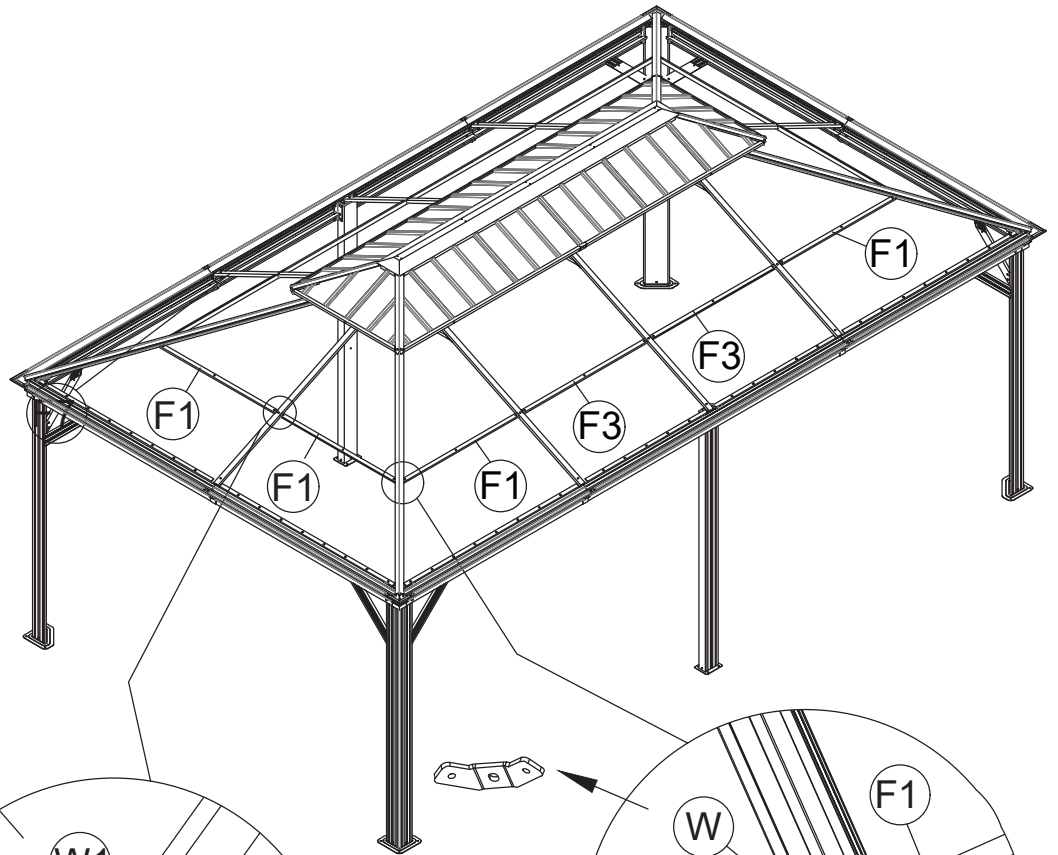
W 4x



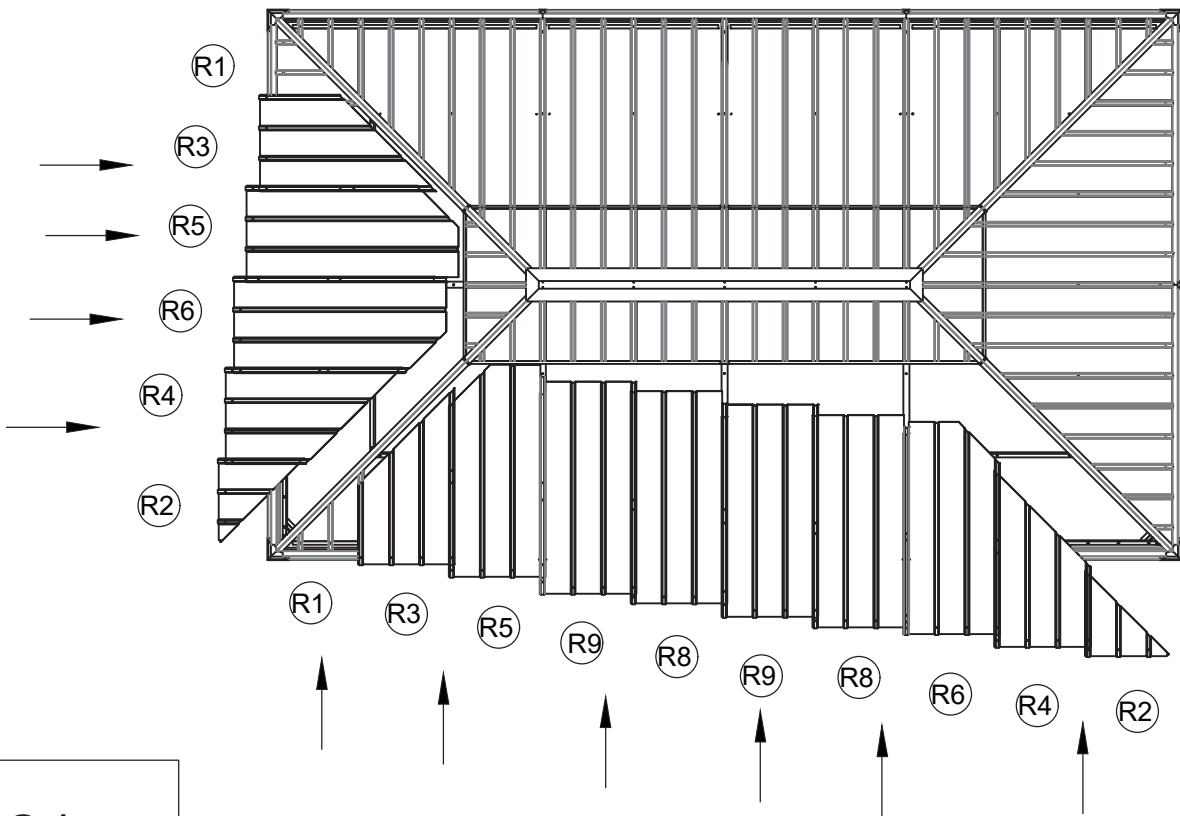
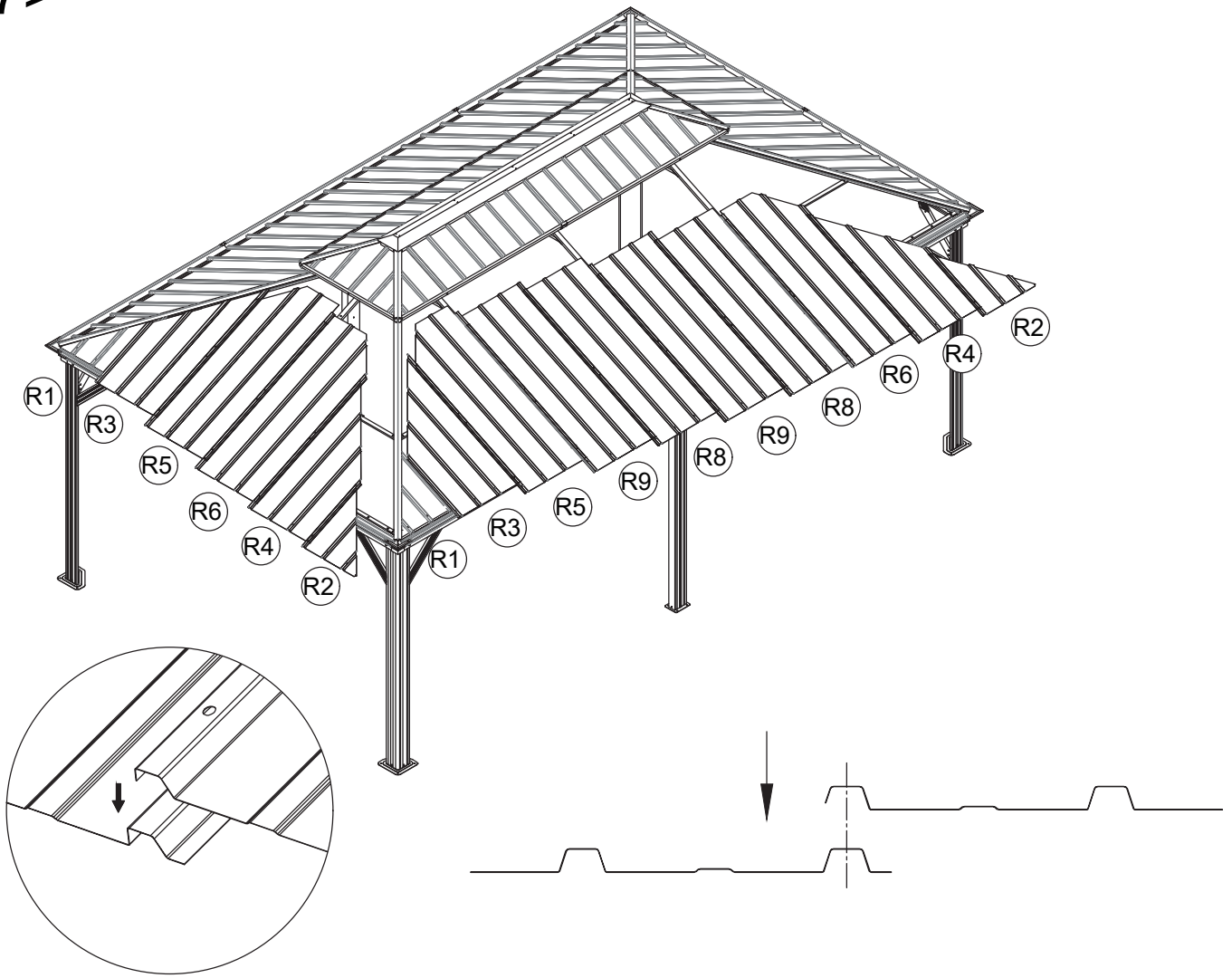
W1 8x



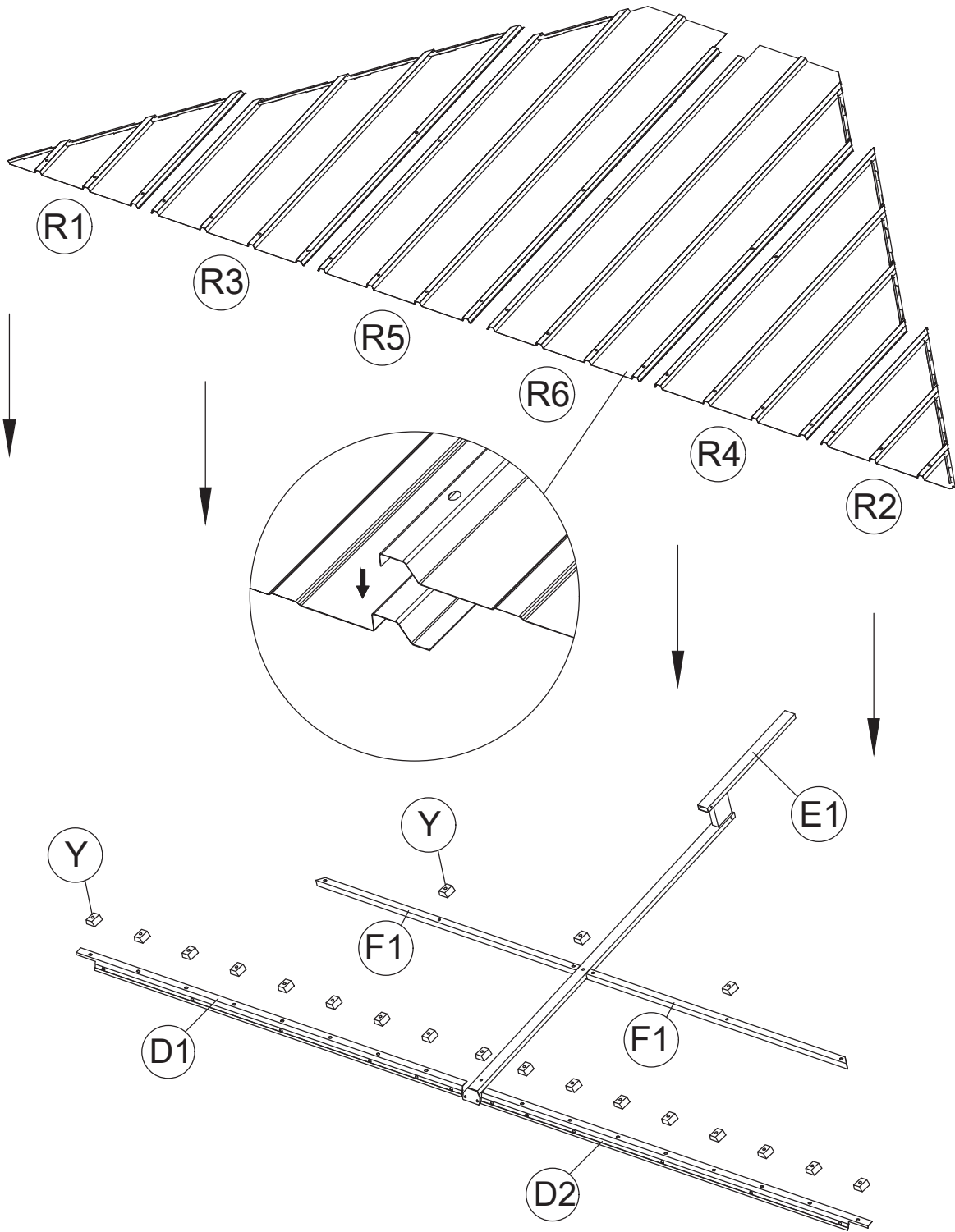
1 36x M6x15



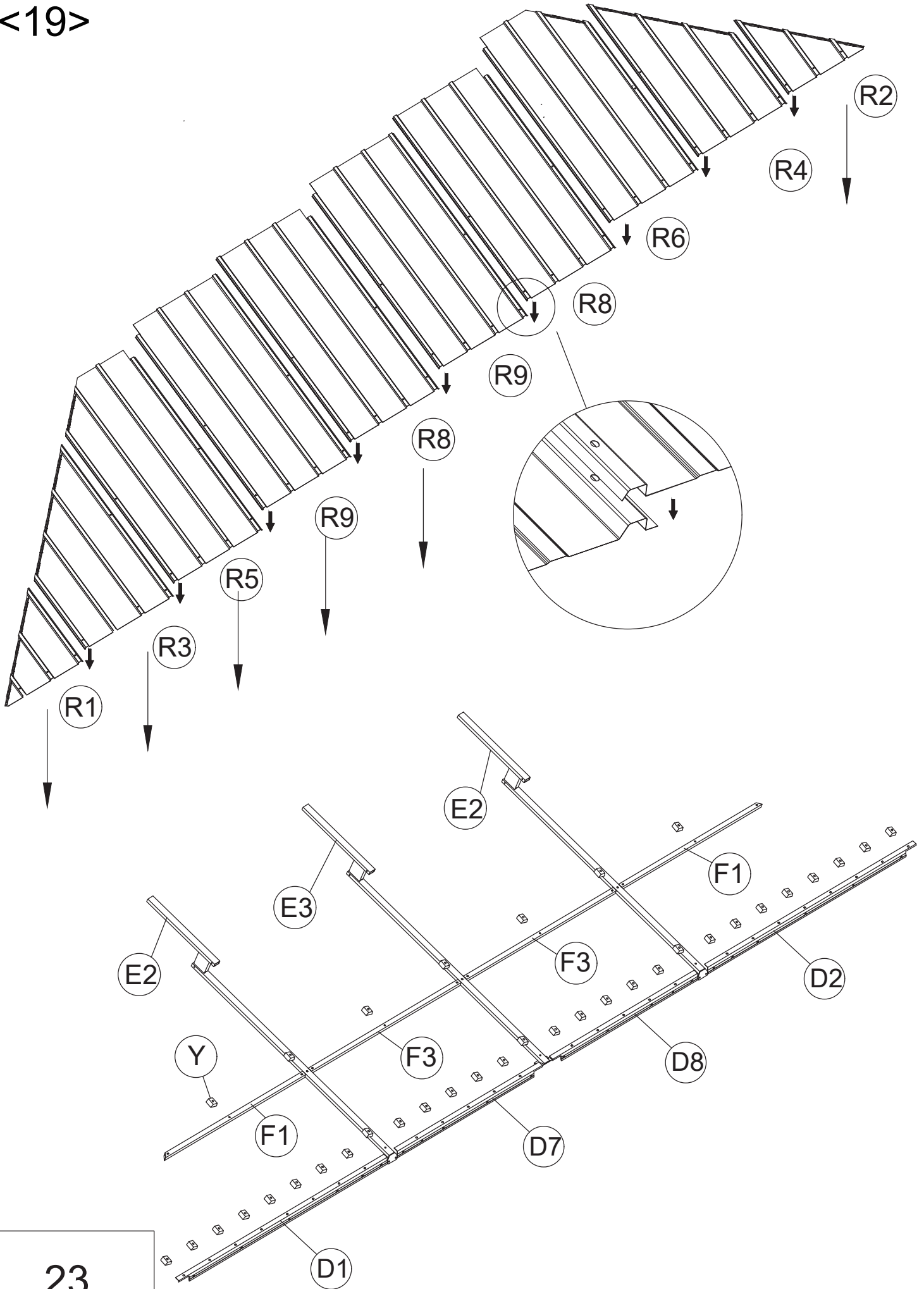
<17>

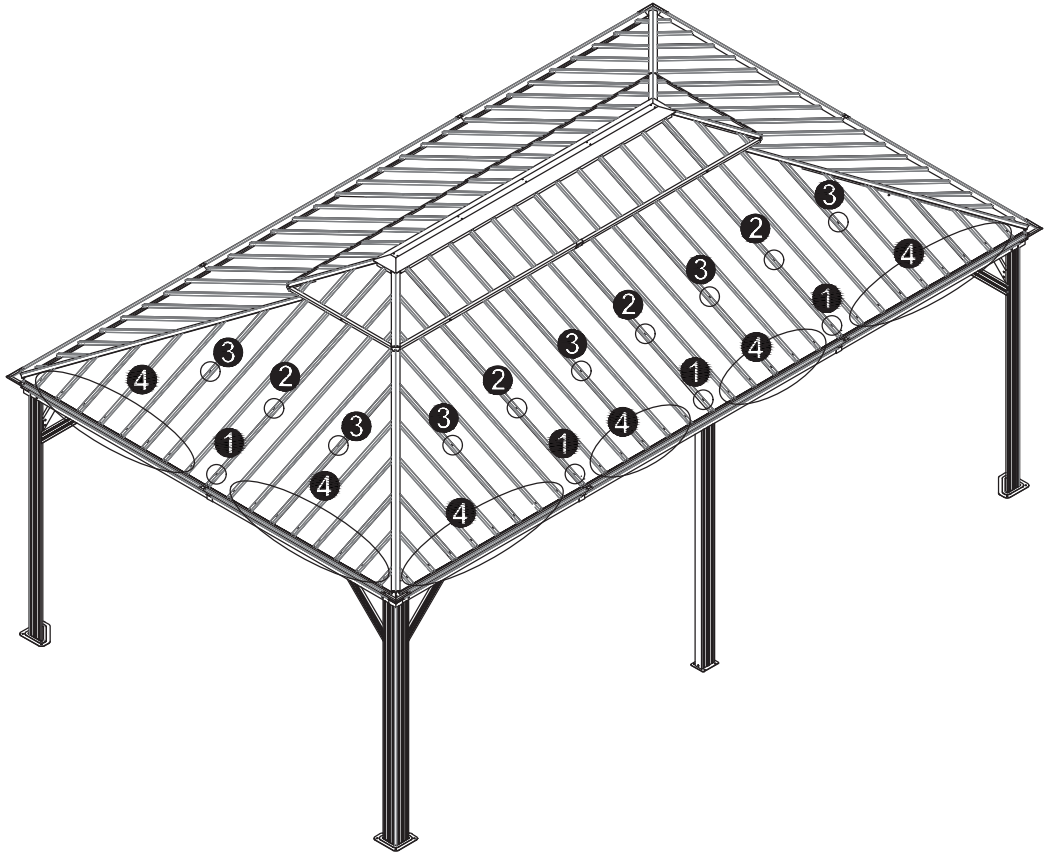


<18>



<19>





Y 112x



M6x23

2 84x



M6x25

3 8x



M6x42

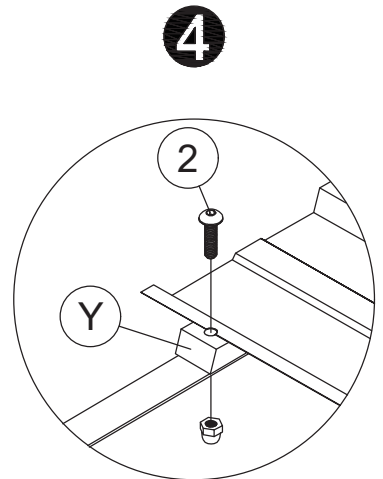
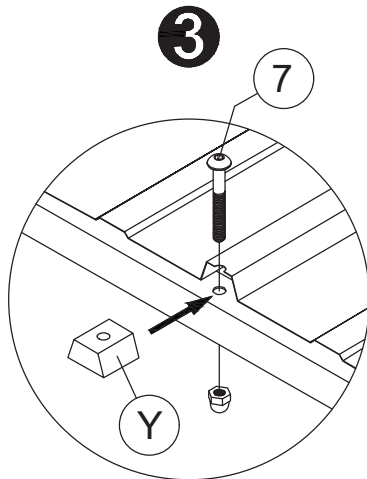
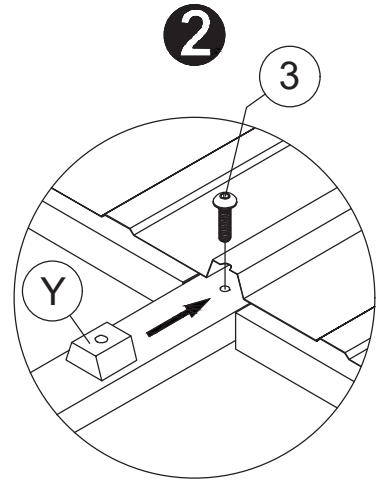
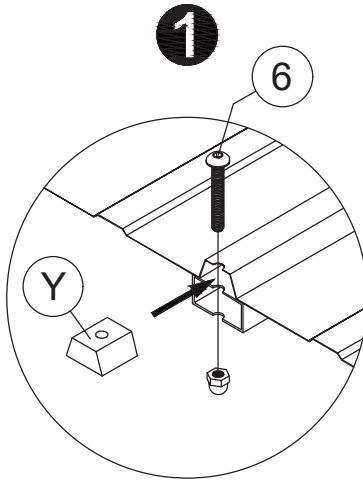
6 8x



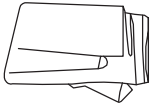
M6x47

7 12x

24

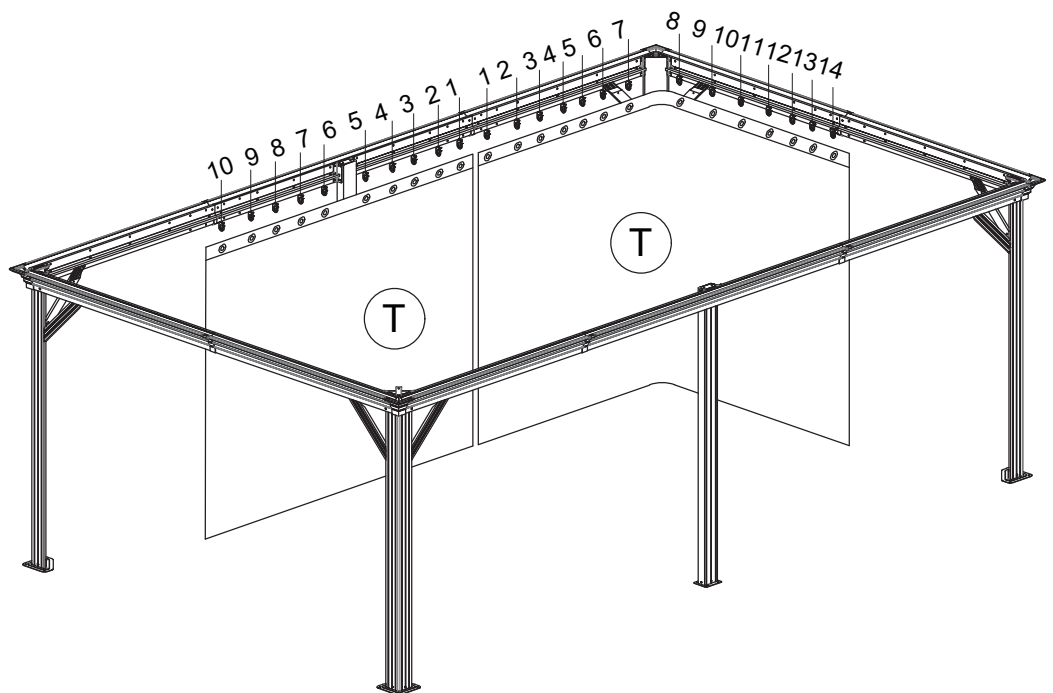
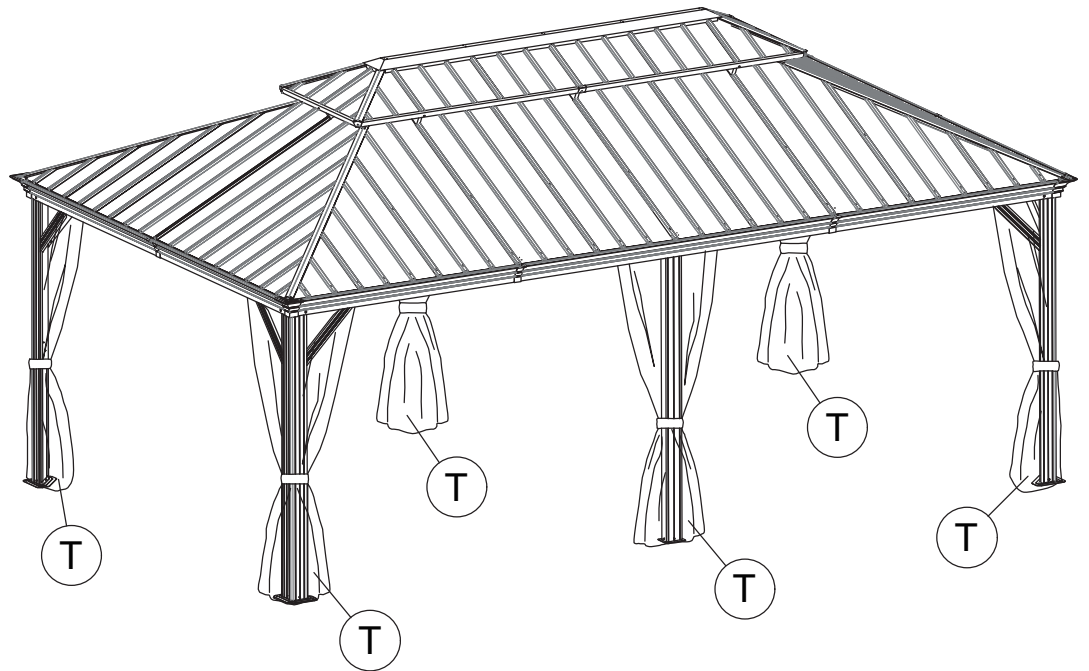
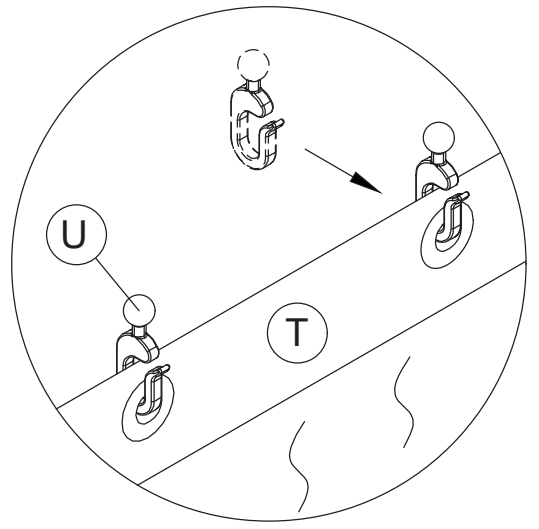
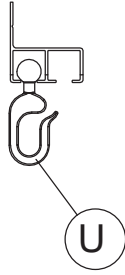


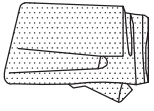
Note: When installing the roof top plates, if the roof plates are slightly uneven, please press the screws from the top of the plates until the bottom screw thread is exposed by 3 to 4mm, and then screw on the nut.



<21>

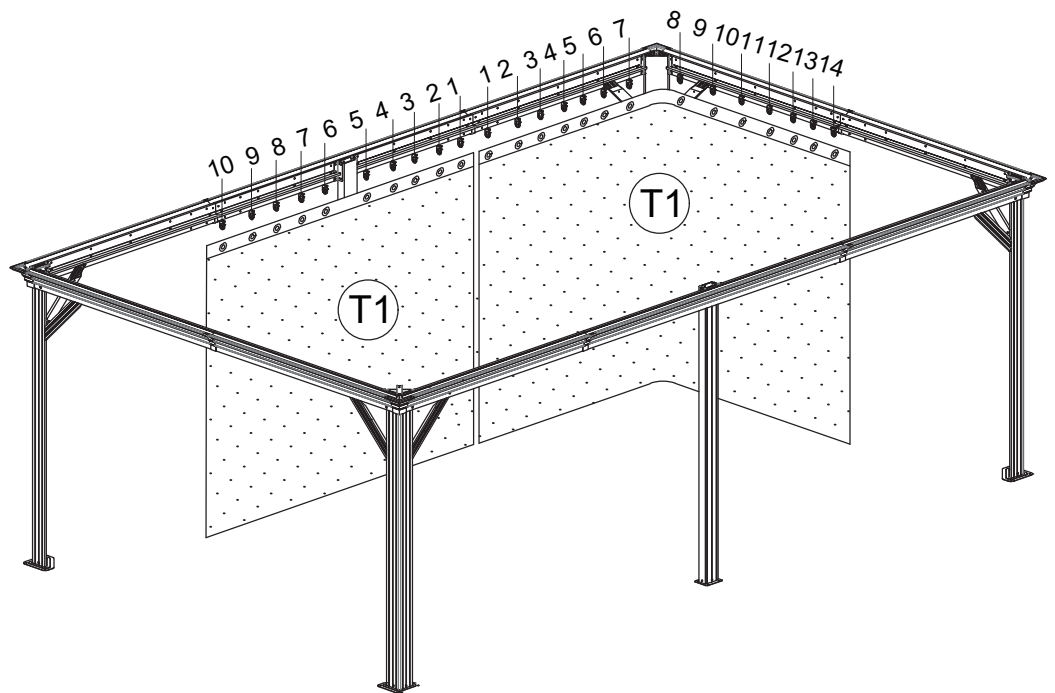
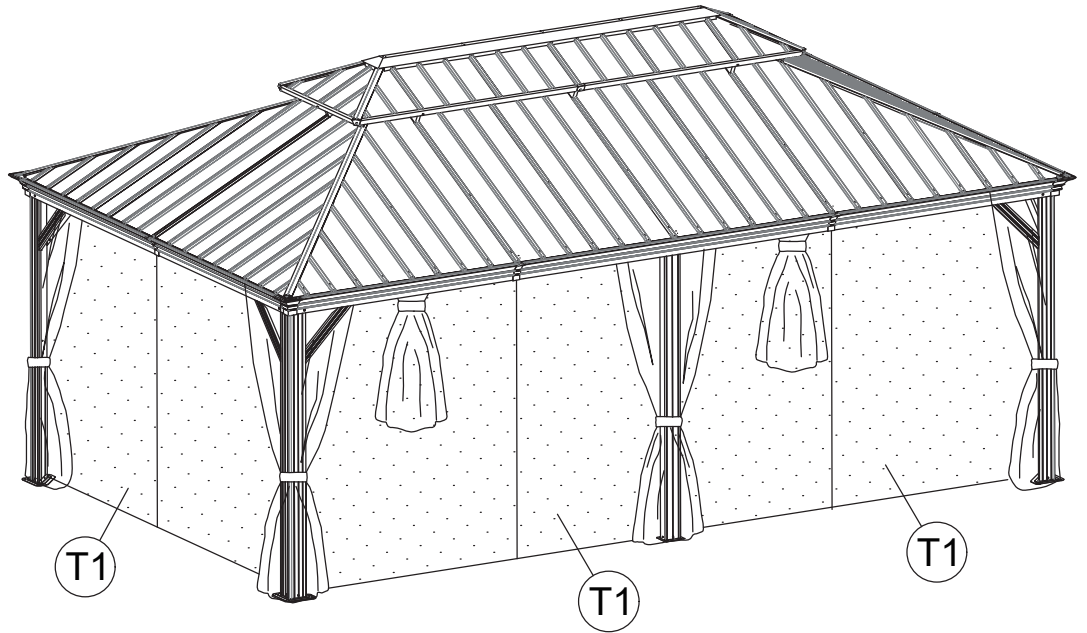
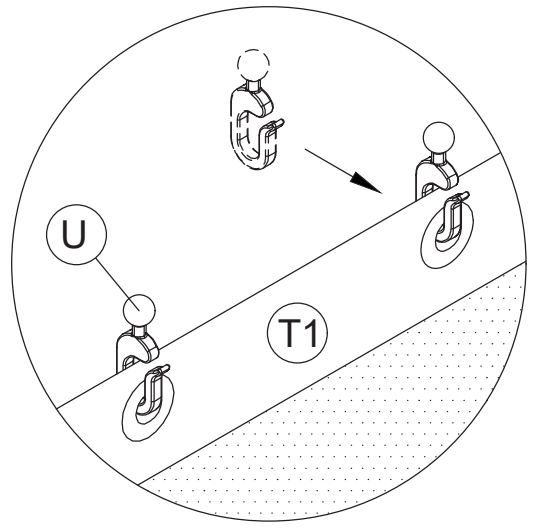
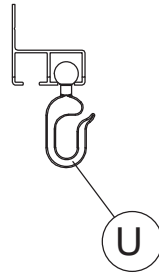
T 4x + 2x



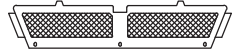


<22>

T1 4x + 2x



<23>



V1 2x



V4a 2X

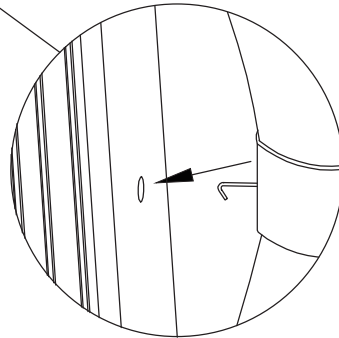
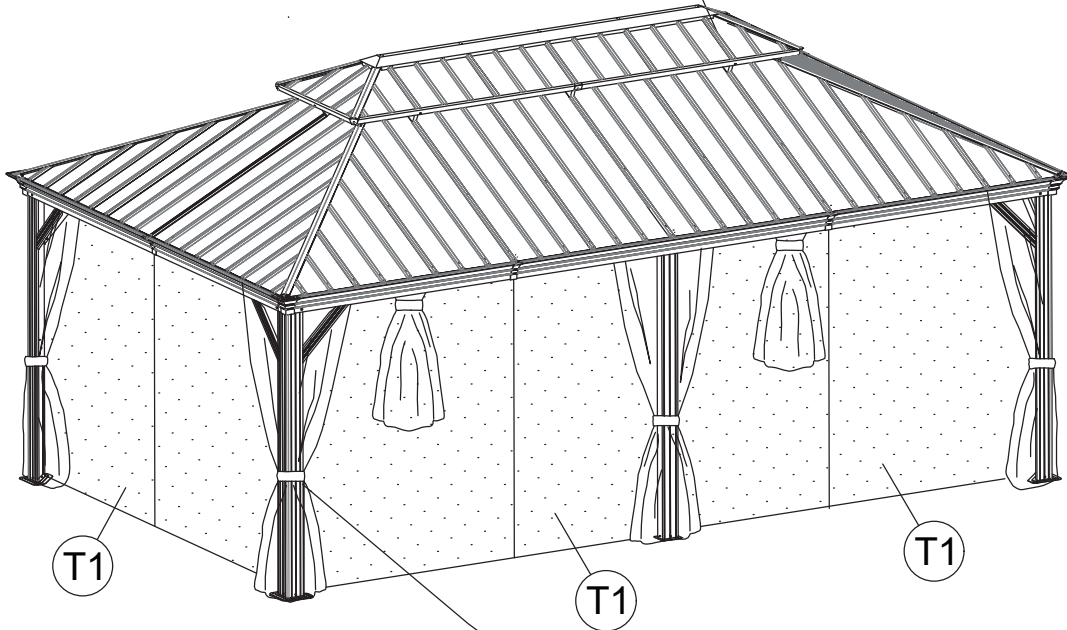
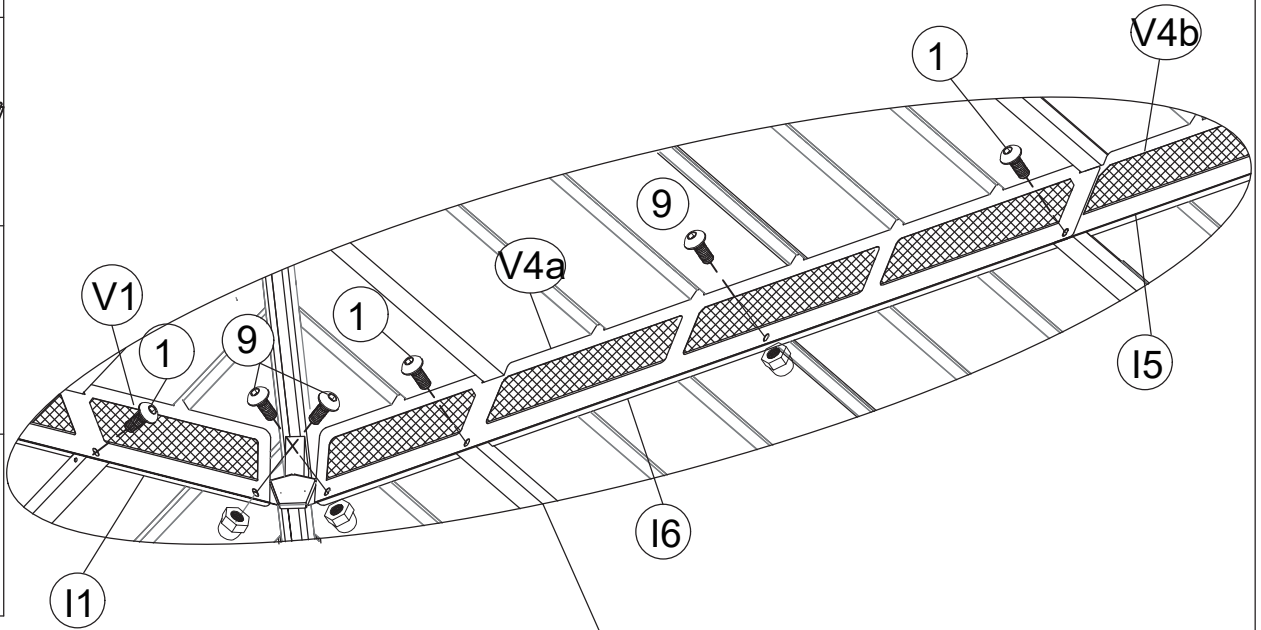


V4b 2x



M6x10

9 12x



Carton-1/6		Carton-2/6		Carton-4/6	
Part	Qty	Part	Qty	Part	Qty
B1	4	A	4	C8	2
E	4	A1	2	D8	2
D1	4	F1	8	F3	4
D2	4	F5	3	P	6
G1	2			V1	2
G5	2			V4a	2
G6	2	Carton-3/6		V4b	2
I1	2	Part	Qty	1.2.3.4.5.6.7.8.9. 10.11.12.13.14.15	1
I5	2	B7	2		
I6	2	E5	4		
J1	2	E1	2		
K	4	E2	4	Carton-5/6	
K1	6	E3	2	Part	Qty
N	8	H	4	R8	4
N1	2	H1	4	R9	4
V	6	L4	1	R5	4
W	4	M4	1	R6	4
W1	8	J	4		
W3	8	T	4 + 2		
W4	8	T1	4 + 2	Carton-6/6	
W5	8			Part	Qty
Y	112			R1	4
U	152	Carton-4/6		R2	4
Z	64	Part	Qty	R3	4
Z1	8	B2	4	R4	4
Z2	8	C1	4	S1	4
		C2	4	S2	4
		D7	2	S3	8
		C7	2		