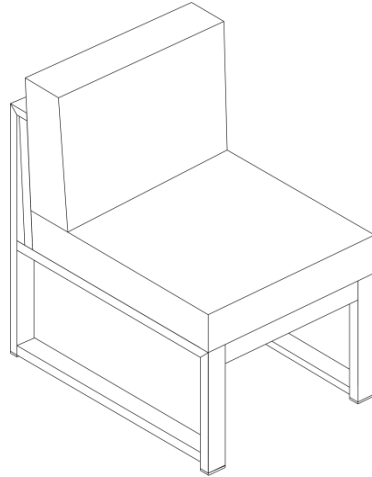


# Assembly Instructions

**Caution : You must read this before you proceed**

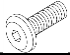
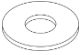

## Armless Chair



### Parts List

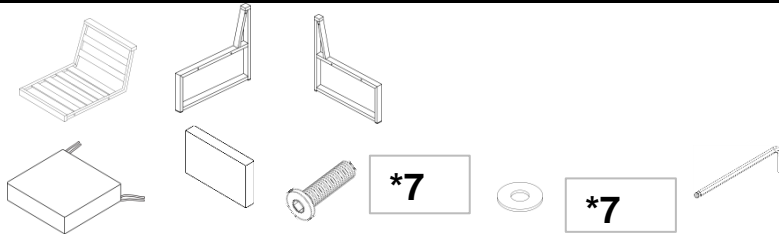
Label	Picture	Description	QTY
A3	A line drawing of the seat component, showing a rectangular frame with several horizontal slats.	Seat	1
B3	A line drawing of the right leg component, showing a rectangular frame with a pre-installed leveler.	Right Leg(with Pre-installed Leveler)	1
C3	A line drawing of the left leg component, showing a rectangular frame with a pre-installed leveler.	Left Leg(with Pre-installed Leveler)	1
D	A line drawing of the seat cushion, showing a rectangular block with two small tabs on the top edge.	Seat Cushion	1
E	A line drawing of the back cushion, showing a rectangular block.	Back Cushion	1





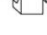
# Hardware

Label	Picture	Description	QTY
①		Bolt (M6*40MM)	7
②		Washer	7
③		Allen Key	1

## Assembly Preparation

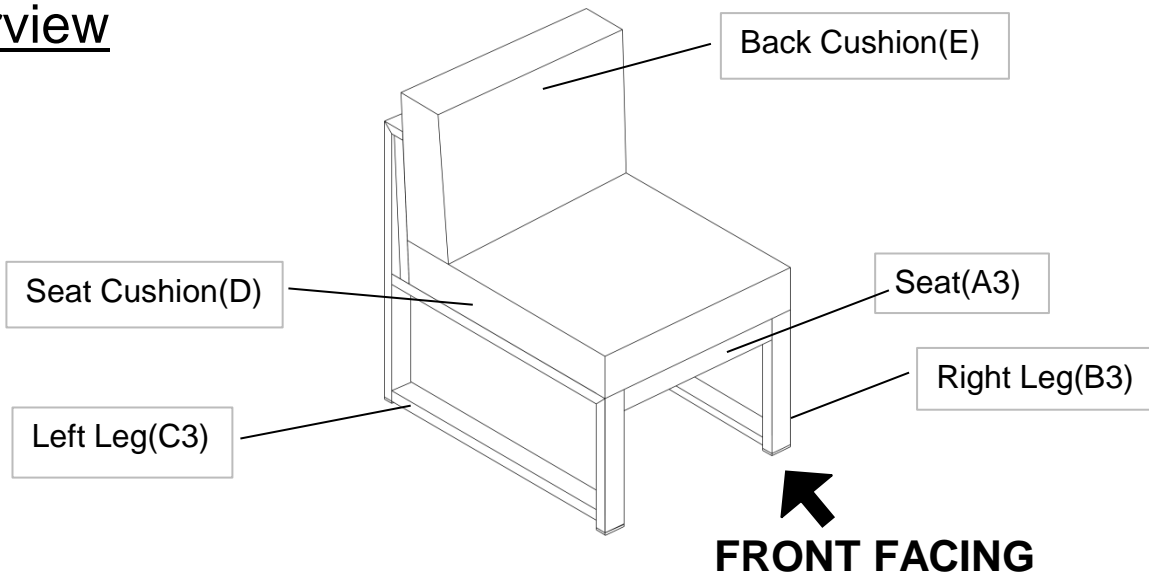
Before Beginning Assembly :



-  Read instructions, cover to cover-
-  Have 2 adults on hand for assembly-
-  Do not assemble on flooring or carpet-
-  Assemble on a clean non-marring surface (packing foam)-
-  Save all packaging until finished-

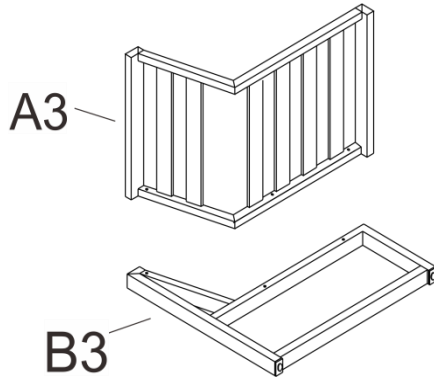
## Assembly Steps

### Overview

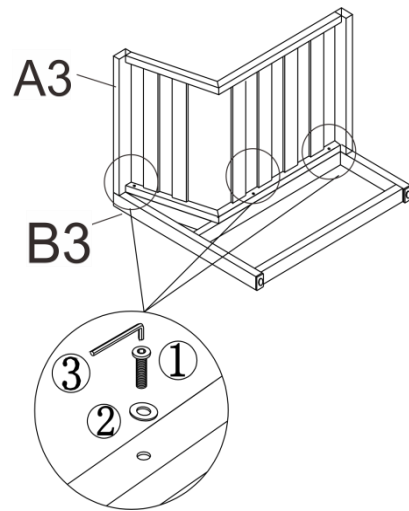


This Armless Chair has multiple parts and may require up to 30 minutes to assemble. To give you an overview of the Armless Chair parts, the above picture is to help you put the various parts into perspective. Please read through the instructions below to familiarise yourself with the parts and steps before assembly.

## Step 1



Step 1.1



Step 1.2

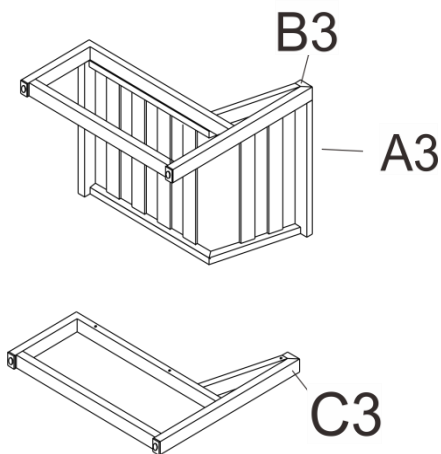
Open the carton and place all the parts onto a clean, non-marring surface.  
Place the Right Leg(B3) facedown as shown above.

**1.1)** Align Seat(A3) to Right Leg(B3) as shown above.

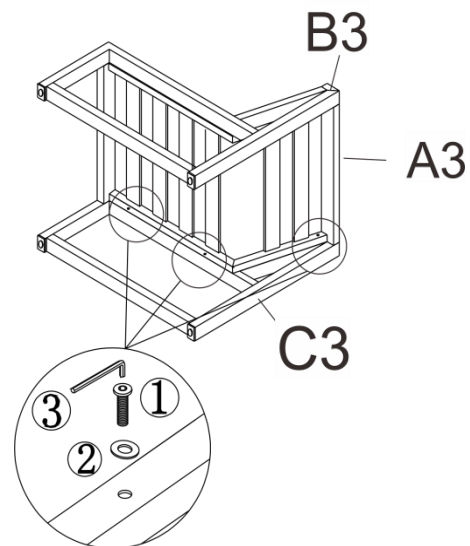
**1.2)** Attach Seat(A3) to Right Leg(B3) using Bolts(①) and Washers(②) with Allen Key(③) as shown above

**Tighten the Bolts fully in a sequential manner.**

## Step 2



Step 2.1



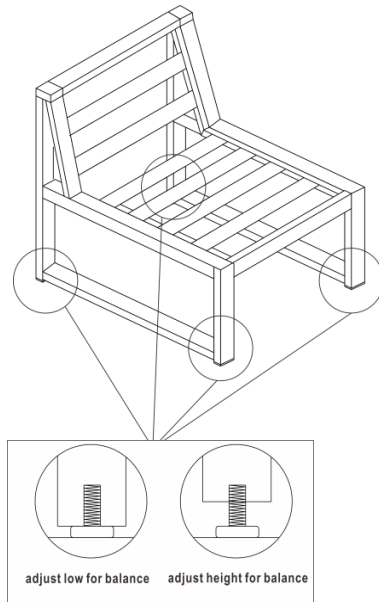
Step 2.2

**2.1)** Align Seat(A3) to Left Leg(C3) as shown above.

**2.2)** Attach Seat(A3) to Left Leg(C3) using Bolts(①) and Washers(②) with Allen Key(③) as shown above

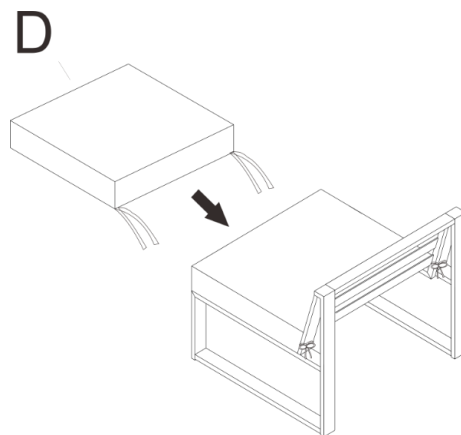
**Tighten the Bolts fully in a sequential manner.**

### Step 3



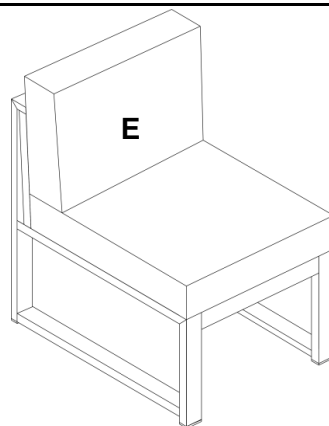
Then, with the assistance from an adult partner, stand the Chair upright. Adjust the Pre-installed Levellers until the Chair is level with the ground. To adjust the Levellers, with assistance from an adult partner, tilt the Chair to rest on two feet. Adjust the levellers to the desired height until the Chair is level.

### Step 4



















Place the Seat Cushion(D) on the Seat(A3). Tie the rope to the Seat(A3).



### Step 5



Place the Back Cushion(E) on the Armless Chair. Your Armless Chair is ready for use. **This Armless Chair can only be used on a flat, level surface.**

## Care & Maintenance

-   ● Do not put hot items directly on furniture surface
-   ● Do not clean furniture with harsh cleansers or polish.
-   ● To obtain the longest lifespan of your outdoor products, minimizing exposure to direct sunlight is recommended.
-   ● Children should not climb or jump on the furniture.
-   ● Do not write on furniture without a padded barrier to protect the surface.
-   ● To obtain the longest lifespan of your outdoor products, avoid extended and lengthy exposure to rain, snow, and direct sunshine. Whenever possible cover the product and /or place under patio or awnings.
-   ● Not for commercial use. For residential use only .
-   ● Stains may be removed with mild soap solution and damp cloth.

- 
-   ● Dust and pick-up spills using a clean, non-colored, lint-free cloth .

### What is Proposition 65?

Proposition 65 is a California law that requires warning labels on products that may contain one of more than 800-plus chemicals or ingredients that the California Office of Environmental Health Hazard Assessment (OEHHA) has deemed to cause cancer or other reproductive toxicity. Chemicals and elements on this list include wood dust, brass, and other everyday substances, which can be found in very common household items, such as: lamps, tableware, jewelry, crystal glasses, electric cords, beauty products, automobiles, and furniture.

### Why Did I Find a Proposition 65 Warning on My Home Goods Product?

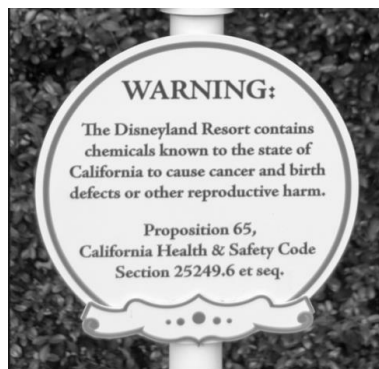
We include Proposition 65 warnings on all of our products because there is always a chance that one of the 800-plus common chemicals and ingredients listed under this law could potentially be on our furniture or packing materials. We risk large fines under this law, if we don't include this warning.

### Should I worry?

We realize you may be worried finding this warning on our products, but we want to reassure you that the hazardous exposure limits for any of these chemicals have never been found on furniture products that we've shipped to our customers. Additionally, this warning label is very common and can be found on almost every piece of furniture sold in the state of California.

### Just How Common Are Proposition 65 Warnings?

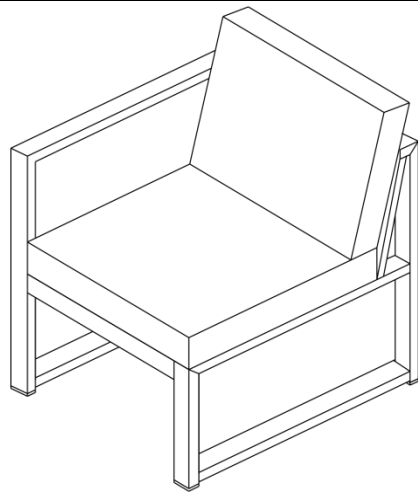
Proposition 65 warnings have become so common in California that it is hard to take a trip to a local bank, grocery store, or restaurant without finding at least one warning. In fact, even the Disney Land Resort has a Proposition 65 warning:




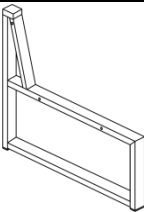
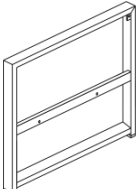
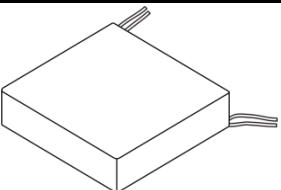
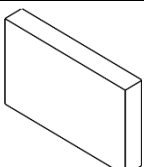
# Assembly Instructions

**Caution : You must read this before you proceed**

## Left Armchair



### Parts List

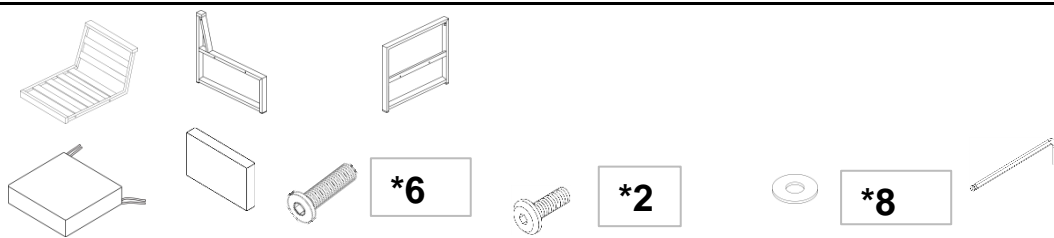
Label	Picture	Description	QTY
A2		Seat	1
B2		Right Leg(with Pre-installed Leveler)	1
C2		Left Armrest/Leg(with Pre-installed Leveler)	1
D		Seat Cushion	1
E		Back Cushion	1






# Hardware

Label	Picture	Description	QTY
①		Bolt (M6*40MM)	6
②		Bolt (M6*32MM)	2
③		Washer	8
④		Allen Key	1

# Assembly Preparation

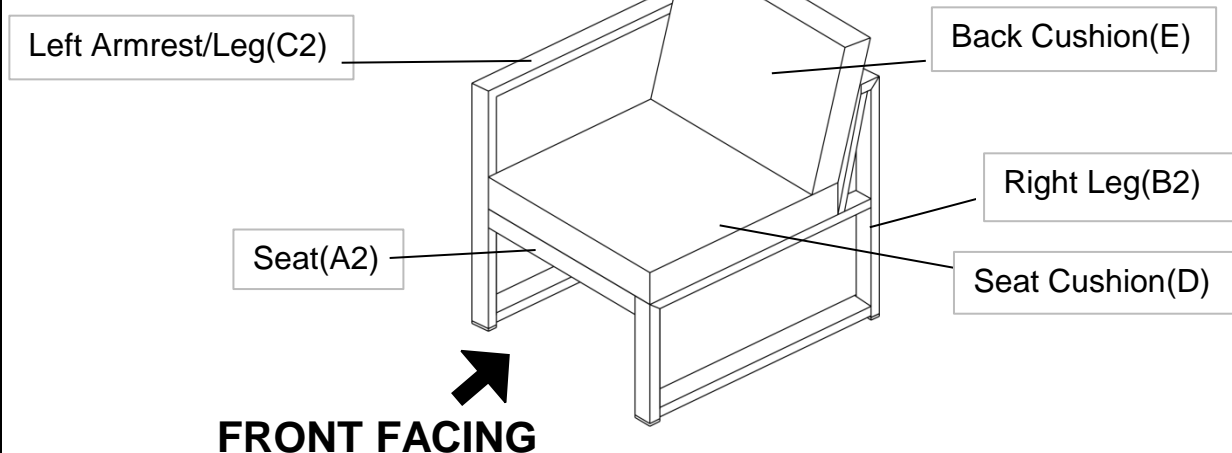
Before Beginning Assembly :



-  • Read instructions, cover to cover-
-  • Have 2 adults on hand for assembly-
-  • Do not assemble on flooring or carpet-
-  • Assemble on a clean non-marring surface (packing foam)-
-  • Save all packaging until finished-

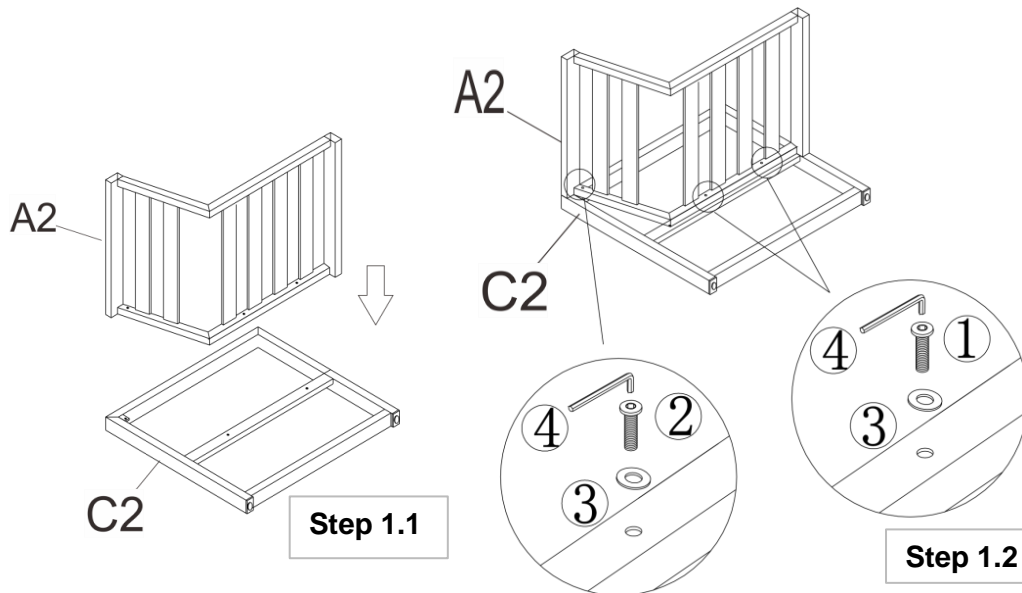
# Assembly Steps

## Overview



This Left Armchair has multiple parts and may require up to 30 minutes to assemble. To give you an overview of the Left Armchair parts, the above picture is to help you put the various parts into perspective. Please read through the instructions below to familiarise yourself with the parts and steps before assembly.

## Step 1



Open the carton and place all the parts onto a clean, non-marring surface.

Place the Left Armrest/Leg(C2) facedown.

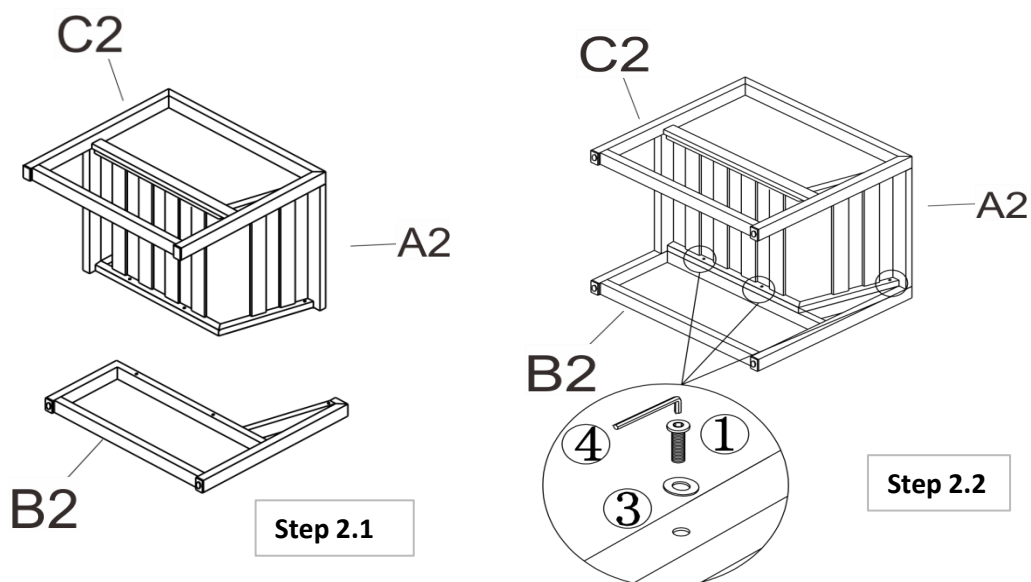
**1.1)** Align Seat(A2) to Left Armrest/Leg(C2) as shown above.

**1.2)** Attach Seat(A2) to Left Armrest/Leg(C2) using Bolts(①), and Washers(③) with Allen Key(④) as shown above.

Attach Seat(A2) to Left Armrest/Leg(C2) using Bolt(②), and Washer(③) with Allen Key(④) as shown above.

**Tighten the Bolts fully in a sequential manner.**

## Step 2



**2.1)** Align Seat(A2) to Right Leg(B2) as shown above.

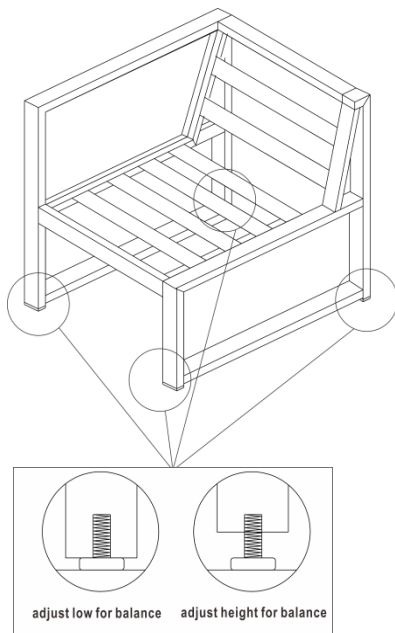
**2.2)** Attach Seat(A2) to Right Leg(B2) using Bolts(①)and Washers(③) with Allen Key(④) as shown above.

Attach Seat(A2) to Right Leg(B2) using Bolt(②) and Washer(③) with Allen Key(④) as shown above

**Tighten the Bolts fully in a sequential manner.**

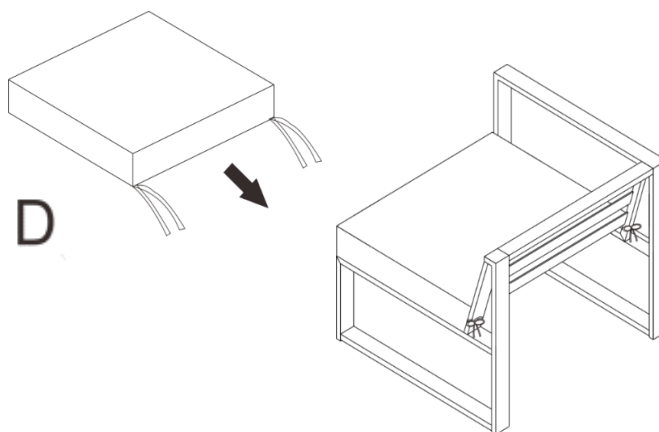


### Step 3



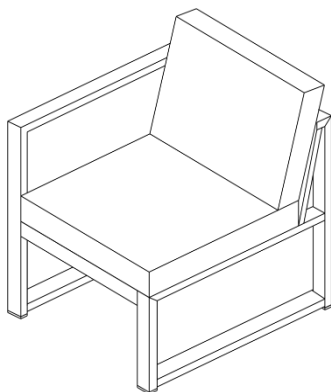
Then, with the assistance from an adult partner, stand the Chair upright.  
Adjust the Pre-installed Levellers until the Chair is level with the ground.  
To adjust the Levellers, with assistance from an adult partner, tilt the Chair to rest on two feet.  
Adjust the levellers to the desired height until the Chair is level.

### Step 4



Place the Seat Cushion(D) on the Seat(A2).  
Tie the rope to the Seat(A2).

















### Step 5





Place the Back Cushion(E) on the Left Armchair.  
Your Left Armchair is ready for use.

**This Left Armchair can only be used on a flat, level surface.**

## Care & Maintenance

-   ● Do not put hot items directly on furniture surface
-   ● Do not clean furniture with harsh cleansers or polish.
-   ● To obtain the longest lifespan of your outdoor products, minimizing exposure to direct sunlight is recommended.
-   ● Children should not climb or jump on the furniture.
-   ● Do not write on furniture without a padded barrier to protect the surface.
-   ● To obtain the longest lifespan of your outdoor products, avoid extended and lengthy exposure to rain, snow, and direct sunshine. Whenever possible cover the product and /or place under patio or awnings.
-   ● Not for commercial use. For residential use only .
-   ● Stains may be removed with mild soap solution and damp cloth.

- 
-   ● Dust and pick-up spills using a clean, non-colored, lint-free cloth .

### What is Proposition 65?

Proposition 65 is a California law that requires warning labels on products that may contain one of more than 800-plus chemicals or ingredients that the California Office of Environmental Health Hazard Assessment (OEHHA) has deemed to cause cancer or other reproductive toxicity. Chemicals and elements on this list include wood dust, brass, and other everyday substances, which can be found in very common household items, such as: lamps, tableware, jewelry, crystal glasses, electric cords, beauty products, automobiles, and furniture.

### Why Did I Find a Proposition 65 Warning on My Home Goods Product?

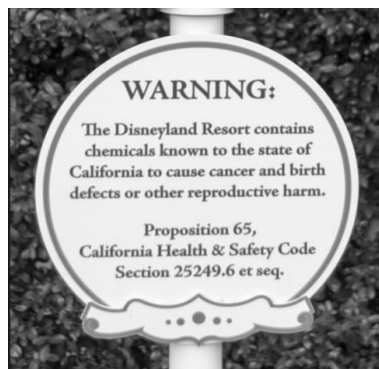
We include Proposition 65 warnings on all of our products because there is always a chance that one of the 800-plus common chemicals and ingredients listed under this law could potentially be on our furniture or packing materials. We risk large fines under this law, if we don't include this warning.

### Should I worry?

We realize you may be worried finding this warning on our products, but we want to reassure you that the hazardous exposure limits for any of these chemicals have never been found on furniture products that we've shipped to our customers. Additionally, this warning label is very common and can be found on almost every piece of furniture sold in the state of California.

### Just How Common Are Proposition 65 Warnings?

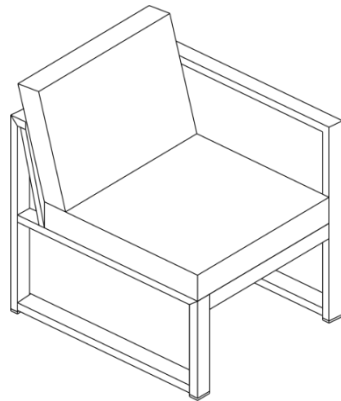
Proposition 65 warnings have become so common in California that it is hard to take a trip to a local bank, grocery store, or restaurant without finding at least one warning. In fact, even the Disney Land Resort has a Proposition 65 warning:



# Assembly Instructions

**Caution : You must read this before you proceed**

## Right Armchair



### Parts List

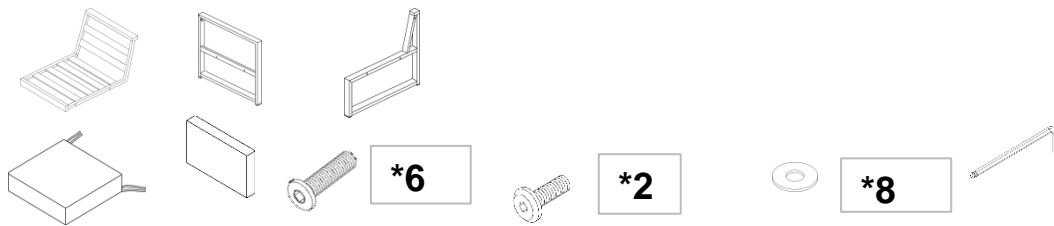
Label	Picture	Description	QTY
A1	A line drawing of the seat, showing a rectangular frame with horizontal slats.	Seat	1
B1	A line drawing of the right armrest/leg, showing a rectangular frame with a pre-installed leveler.	Right Armrest/Leg( with Pre-installed Leveler)	1
C1	A line drawing of the left leg, showing a rectangular frame with a pre-installed leveler.	Left Leg( with Pre-installed Leveler)	1
D	A line drawing of the seat cushion, showing a rectangular block with a small tab on one side.	Seat Cushion	1
E	A line drawing of the back cushion, showing a rectangular block.	Back Cushion	1

# Hardware

Label	Picture	Description	QTY
①		Bolt (M6*40MM)	6
②		Bolt (M6*32MM)	2
③		Washer	8
④		Allen Key	1

# Assembly Preparation

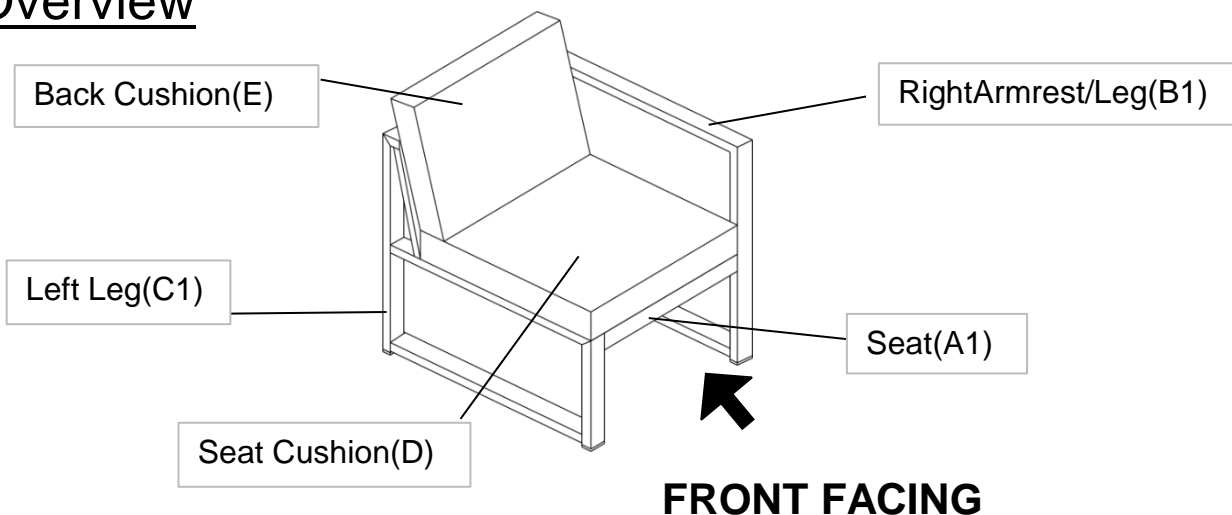
Before Beginning Assembly :



- Read instructions, cover to cover-
- Have 2 adults on hand for assembly-
- Do not assemble on flooring or carpet-
- Assemble on a clean non-marring surface (packing foam)-
- Save all packaging until finished-

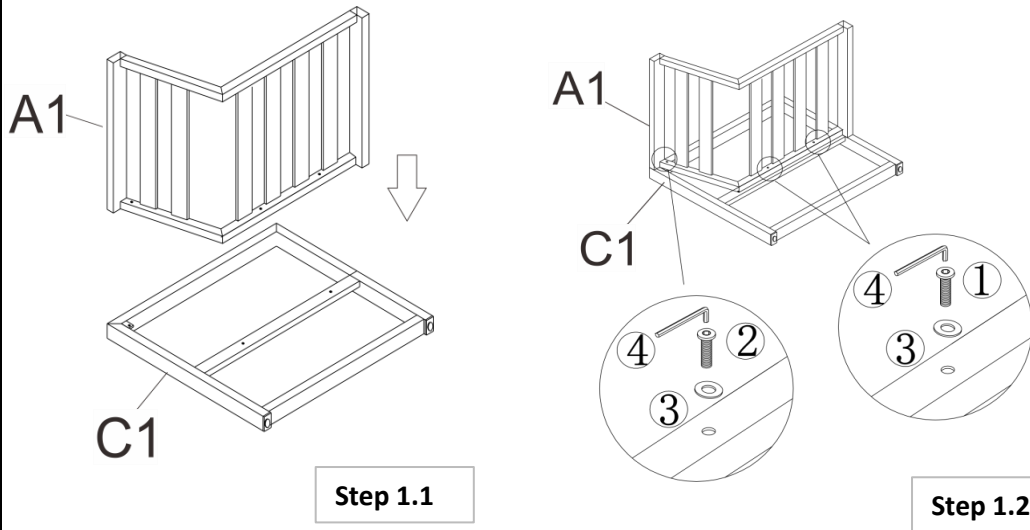
# Assembly Steps

## Overview



This Right Armchair has multiple parts and may require up to 30 minutes to assemble. To give you an overview of the Right Armchair parts, the above picture is to help you put the various parts into perspective. Please read through the instructions below to familiarise yourself with the parts and steps before assembly.

## Step 1



Open the carton and place all the parts onto a clean, non-marring surface.  
Place the Right Armrest/Leg(C1) facedown.

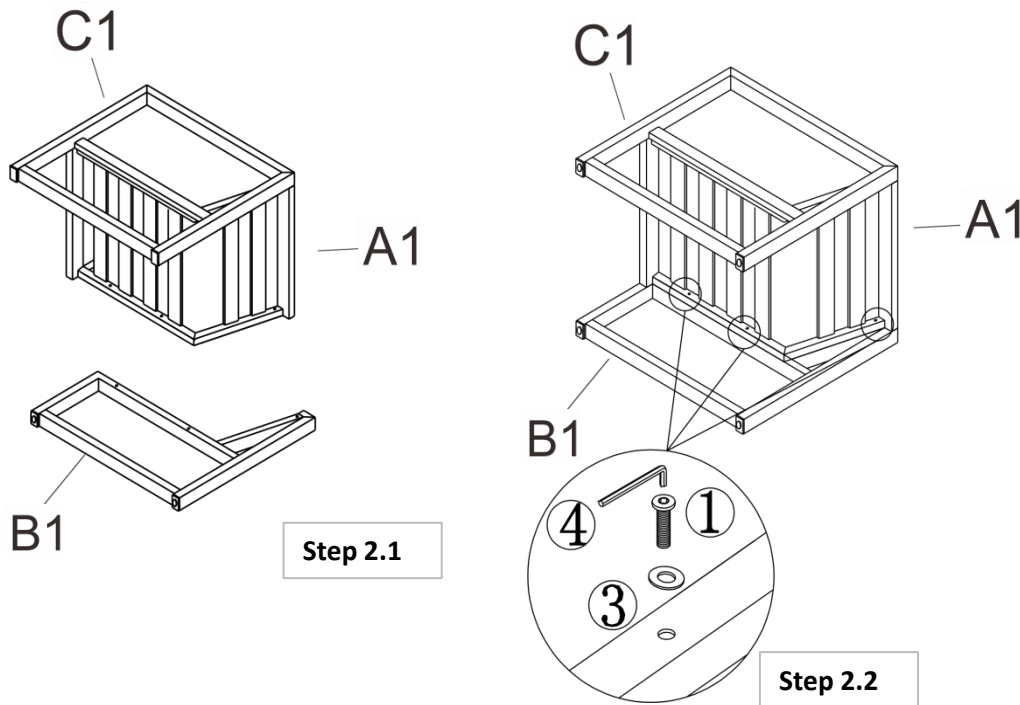
**1.1)** Align Seat(A1) to Right Armrest/Leg(C1) as shown above.

**1.2)** Attach Seat(A1) to Right Armrest/Leg(C1) using Bolts(1), and Washers(3) with Allen Key(4) as shown above.

Attach Seat(A1) to Right Armrest/Leg(C1) using Bolt(2), and Washer(3) with Allen Key(4) as shown above.

**Tighten the Bolts fully in a sequential manner.**

## Step 2



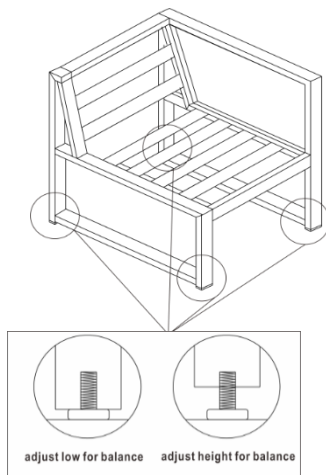
**2.1)** Align Seat(A1) to Left Leg(B1) as shown above.

**2.2)** Attach Seat(A1) to Left Leg(B1) using Bolts(1)and Washers(3) with Allen Key(4) as shown above.

Attach Seat(A1) to Left Leg(B1) using Bolt(2) and Washer(3) with Allen Key(4) as shown above

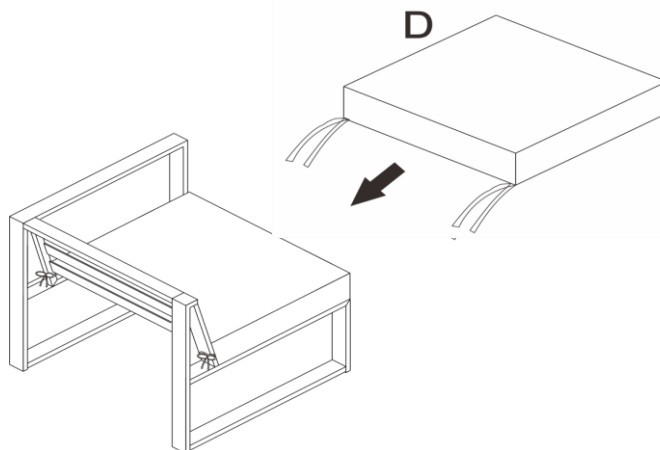
**Tighten the Bolts fully in a sequential manner.**

### Step 3



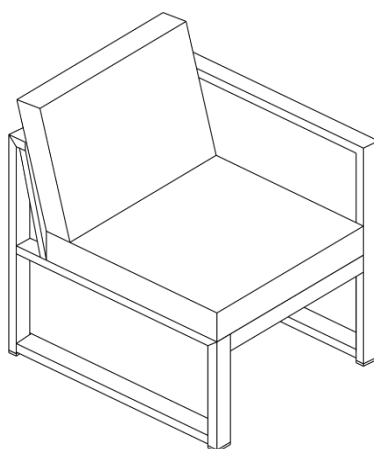
Then, with the assistance from an adult partner, stand the Chair upright.  
Adjust the Pre-installed Levellers until the Chair is level with the ground.  
To adjust the Levellers, with assistance from an adult partner, tilt the Chair to rest on two feet.  
Adjust the levellers to the desired height until the Chair is level.

### Step 4



















Place the Seat Cushion(D) on the Seat(A1).  
Tie the rope to the Seat(A1).



### Step 5



Place the Back Cushion(E) on the Right Armchair.  
Your Right Armchair is ready for use.  
**This Right Armchair can only be used on a flat, level surface.**

## Care & Maintenance

-   ● Do not put hot items directly on furniture surface
-   ● Do not clean furniture with harsh cleansers or polish.
-   ● To obtain the longest lifespan of your outdoor products, minimizing exposure to direct sunlight is recommended.
-   ● Children should not climb or jump on the furniture.
-   ● Do not write on furniture without a padded barrier to protect the surface.
-   ● To obtain the longest lifespan of your outdoor products, avoid extended and lengthy exposure to rain, snow, and direct sunshine. Whenever possible cover the product and /or place under patio or awnings.
-   ● Not for commercial use. For residential use only .
-   ● Stains may be removed with mild soap solution and damp cloth.

- 
-   ● Dust and pick-up spills using a clean, non-colored, lint-free cloth .

### What is Proposition 65?

Proposition 65 is a California law that requires warning labels on products that may contain one of more than 800-plus chemicals or ingredients that the California Office of Environmental Health Hazard Assessment (OEHHA) has deemed to cause cancer or other reproductive toxicity. Chemicals and elements on this list include wood dust, brass, and other everyday substances, which can be found in very common household items, such as: lamps, tableware, jewelry, crystal glasses, electric cords, beauty products, automobiles, and furniture.

### Why Did I Find a Proposition 65 Warning on My Home Goods Product?

We include Proposition 65 warnings on all of our products because there is always a chance that one of the 800-plus common chemicals and ingredients listed under this law could potentially be on our furniture or packing materials. We risk large fines under this law, if we don't include this warning.

### Should I worry?

We realize you may be worried finding this warning on our products, but we want to reassure you that the hazardous exposure limits for any of these chemicals have never been found on furniture products that we've shipped to our customers. Additionally, this warning label is very common and can be found on almost every piece of furniture sold in the state of California.

### Just How Common Are Proposition 65 Warnings?

Proposition 65 warnings have become so common in California that it is hard to take a trip to a local bank, grocery store, or restaurant without finding at least one warning. In fact, even the Disney Land Resort has a Proposition 65 warning:

