

Simple Drum LED Flush Mount

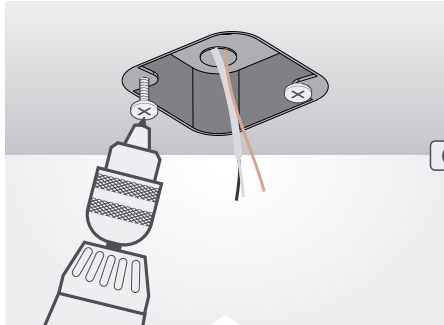


Safety recommendations

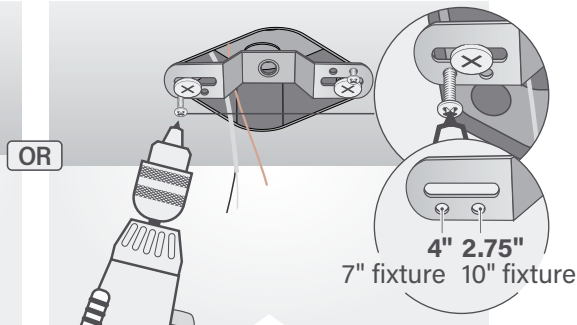
1. Risk of electric shock – this product must be installed in accordance with applicable installation codes by a person familiar with mentioned above codes and hazards involved. disconnect power at circuit breaker or fuse before installing or servicing.
2. Before use of the product carefully read the whole operation manual.
3. The product is purposed for interior use only, suitable for wet locations.
4. Protect the product against direct contact with water.
5. Assemble the product only with the use of parts provided and the housing; improper assembly may result in device failing which could damage the product, personal property or cause injury.
6. Assembly shall follow with accessories delivered with the set only.
7. The device is not a toy, keep out of reach of children.

Specifications:

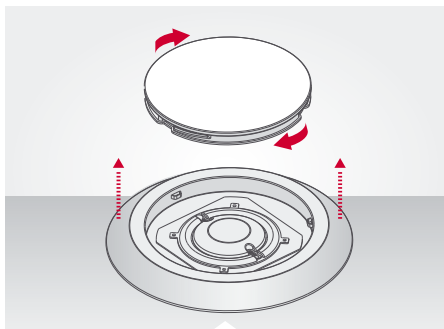
Light Disk
Operating Voltage: 120VAC
Dimming: Triac
Power consumption: 16.5W / 21.5W
Life span: 50,000h



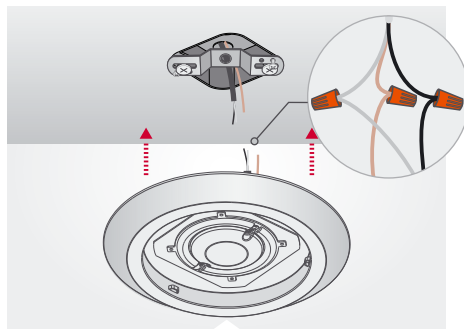
STEP 1a: For 4" Jbox, 7" fixture can be installed to Jbox directly without crossbar. For 2.75" Jbox, 10" fixture can be installed to Jbox directly without crossbar.



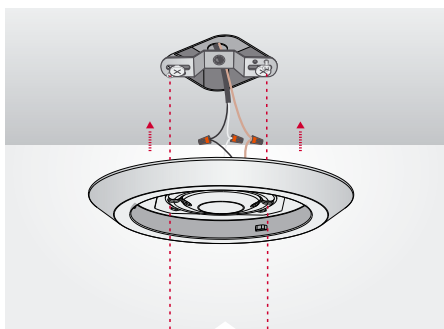
STEP 1b: Attach bracket to jbox using 2 screws (provided). 1. For 2.75" and 3" Jbox, install 7" fixture by attaching 2 long screws to 4" holes of crossbar according to marking. 2. For 3" and 4" Jbox, install 10" fixture by attaching 2 long screws to 2.75" holes of crossbar according to marking.



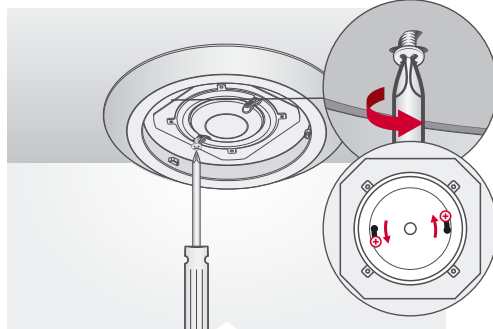
STEP 2: Remove acrylic lens from base by turning counter clockwise. Remove sticker.



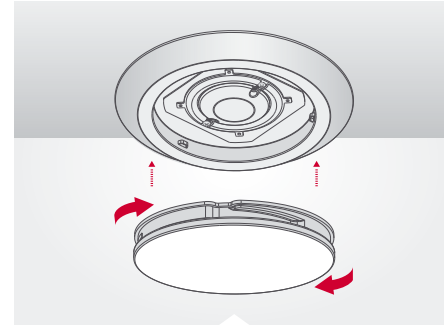
STEP 3: Connect wires to AC cables from junction box with wire nuts (provided): L side to Black AC wire N side to White AC wire. Ground to Ground wire



STEP 5: Carefully push and feed all wires back in to the Jbox. Align the two mounting holes on the fixture body to the two long screws of the crossbar.



STEP 6: Twist clockwise and push to lock fixture in place. Secure base to crossbar by tightening two screws. For wet location usage, please caulk the edge of fixture with glue to ceiling.



STEP 7: Align two tabs on inside wall of light base to threads on acrylic lens. Turn CLOCKWISE until lens locks in place.



STEP 8: Fixture installed.

Dimming

This product is compatible with most residential type dimmers available on the market. The dimming performance will depend on kind of dimmer and dimmer settings.

Cleaning

- Clean with a soft or damp cloth. While cleaning with the damp cloth make sure the power is off.
- Do not clean with liquids or abrasives.

5 Year limited warranty

The purchased product is covered with a 5 year warranty in respect of any defect in material or workmanship after purchase date.

We shall bear no responsibility on account of guarantee, as well as shall bear no liability for any faults, in case of improper operation, use negligence, accident or exposure to natural hazard, or excessive use over the limits specified for the unit, or if any unauthorized alteration or repair followed.