

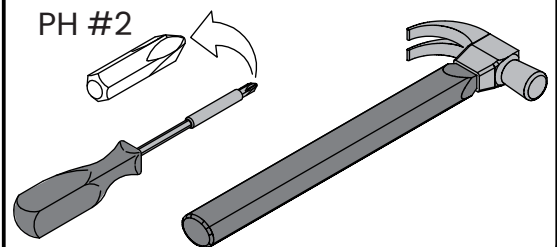
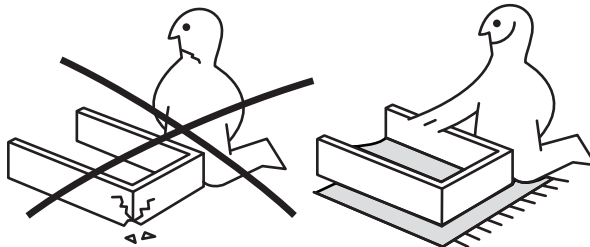
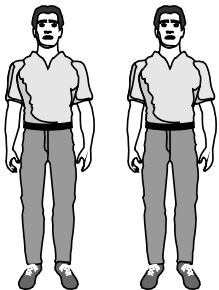
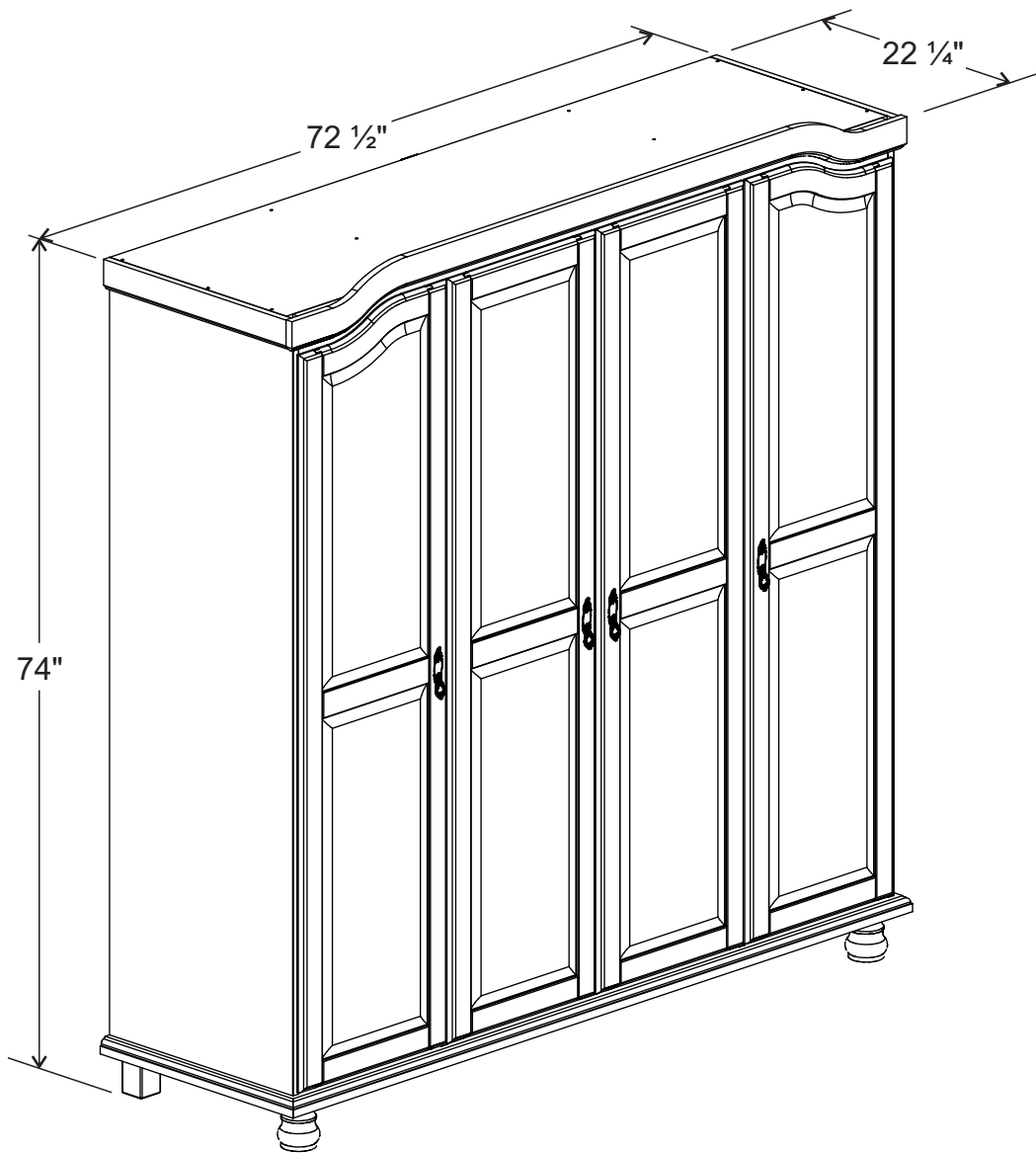
## WARRANTY INFORMATION

- All products are warranted to the original purchaser against defects in material or workmanship in the furniture. Defects as mentioned in this warranty refer to any imperfections which may impair the use of the product. Our warranty is expressly limited to the replacement of furniture parts and components for one year following the date of purchase.
- We will replace any part that is defective. This warranty applies under conditions of normal use. Our furniture products are not intended for outdoor use. The warranty does not cover defects caused by improper assembly or disassembly, defects occurring after purchase due to product modifications, intentional damage, accident, misuse, exposure to the elements and labor or assembly costs.
- New furniture smell is not covered by this warranty. It is normal for all new furniture to have non-toxic off-gassing that dissipates with time. Many smell removal remedies are available online.
- The Seller reserves the right to request proof of purchase to document a warranty claim. In no event shall the Seller be liable for incidental or consequent damages resulting from the misuse of the product.

# ASSEMBLY GUIDE

## 4-DOOR WARDROBE

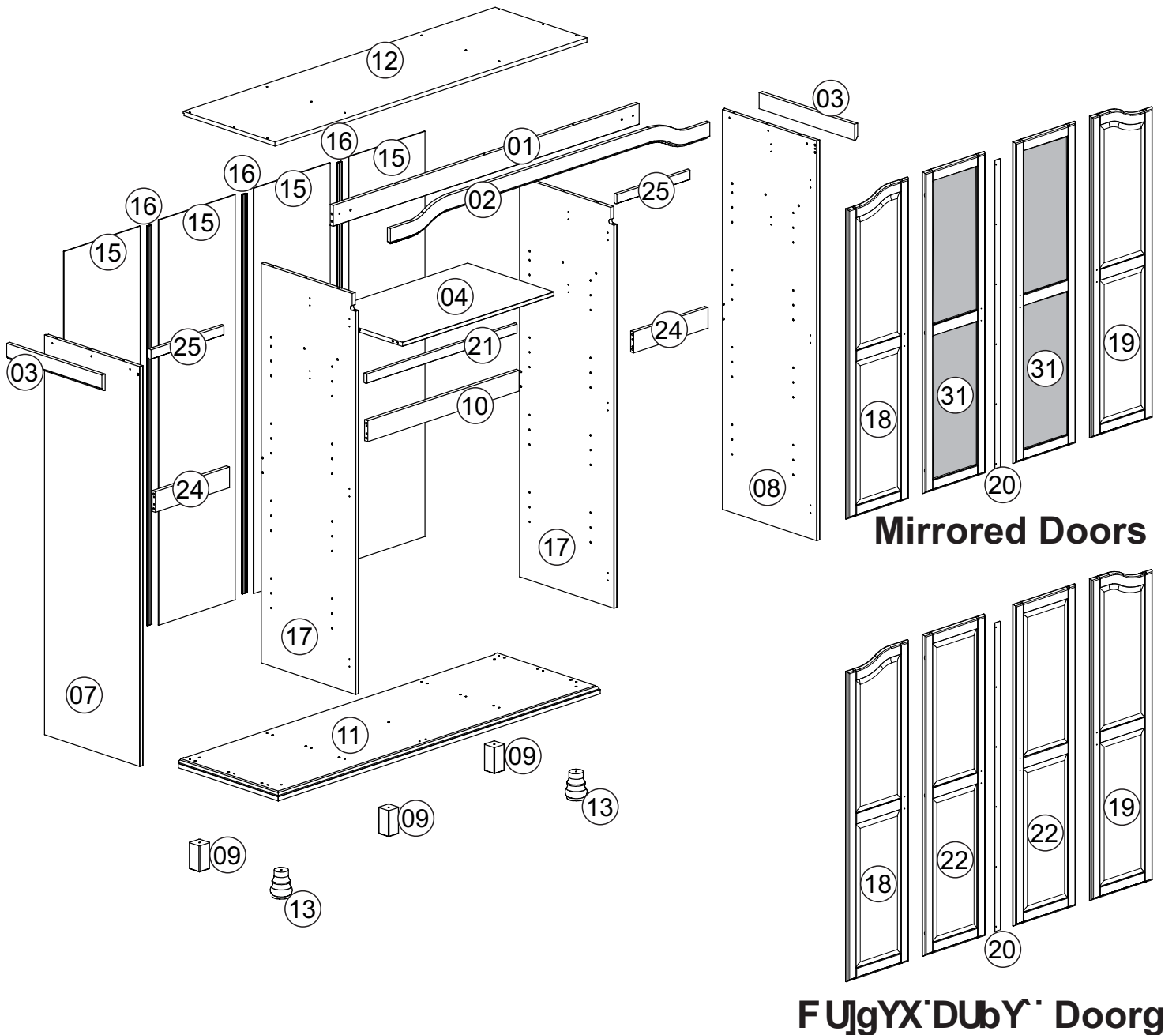
### WITH MIRRORED OR RAISED PANEL DOORS




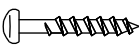


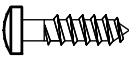
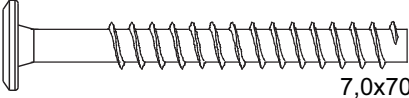

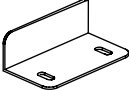
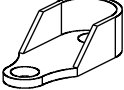

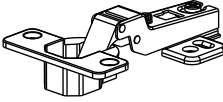
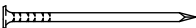
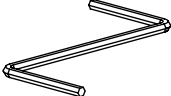

# PRE-ASSEMBLY PREPARATION

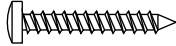
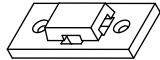

- Please check the contents before assembling. A complete parts list is provided below.
- Please contact us if any parts are missing or damaged
- Assemble on a flat, smooth surface on top of a blanket
- Use only low-speed screw gun setting
- Assemble as near to the point of use as possible
- The hardware pack contains SMALL ITEMS which should be KEPT AWAY FROM YOUNG CHILDREN

## PARTS DIAGRAM



SCREWS ARE SHOWN IN ACTUAL SIZE

A1	 4,0x30	26+1
A7	 3,0x16	08+1
A16	 4,0x40	26+1
A42	 4,0x14	12+1
A44	 3,5x14	74+2
B19	 7,0x70	05
C2	 8,0x25	48+2
D3		01
D10		06
D16		03
F10		12
G1	 10x10	62
G8		01
H18		04

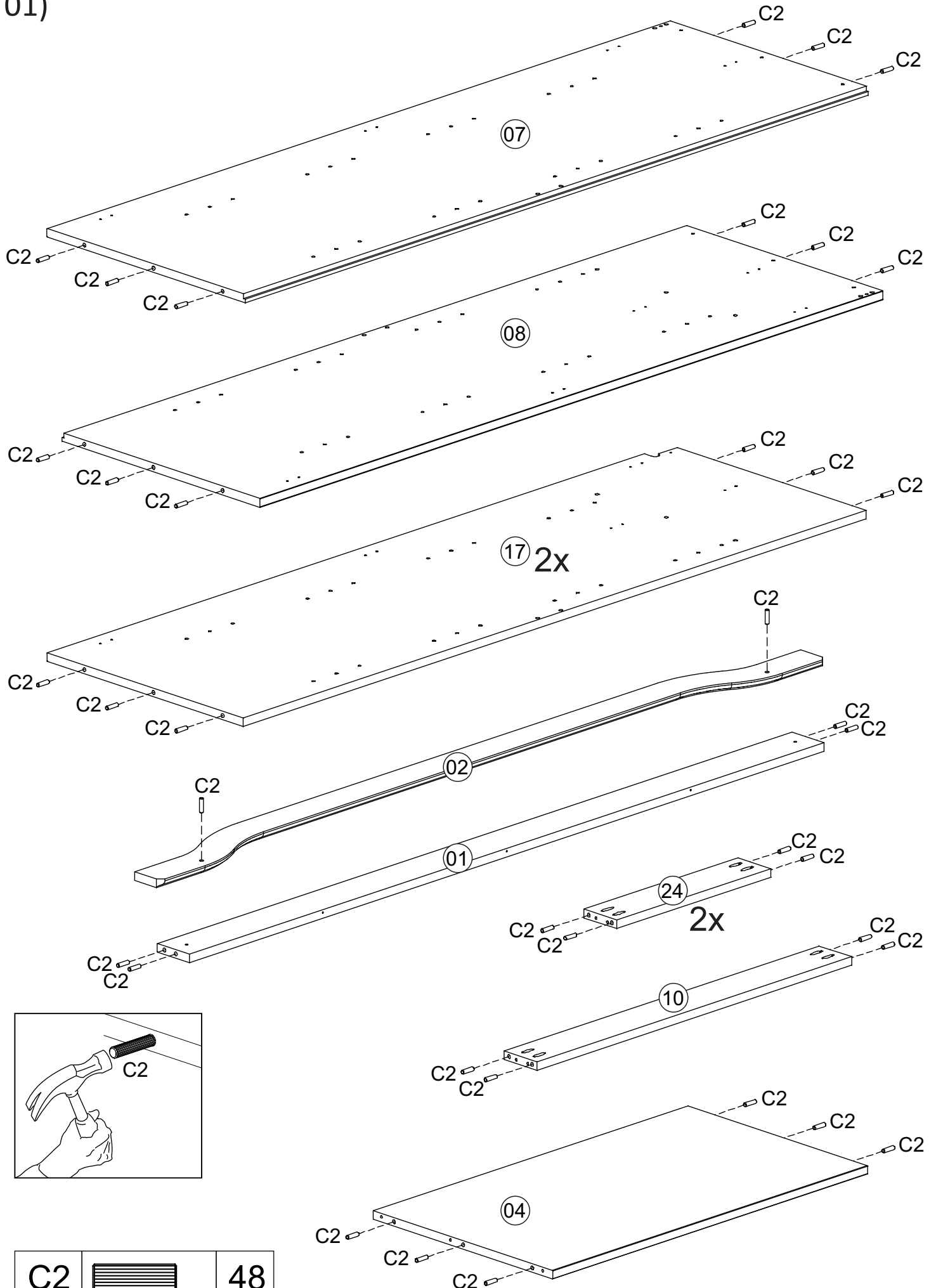
FURNITURE TIPOVER PREVENTION KIT		
A8	 3,0x20	02+1
F8		02
F9		01

**WARNING:**  
 **CHOKING HAZARD**  
 Small Parts.  
 Adult Supervision Required.  
 Not for children under 3 years old.

**WARNING:**  
  
**FURNITURE TIPOVER CAN RESULT  
 IN SERIOUS INJURY OR DEATH**

This wardrobe includes tipover prevention hardware that **MUST BE ATTACHED TO THE WALL** per the assembly instructions.

01)



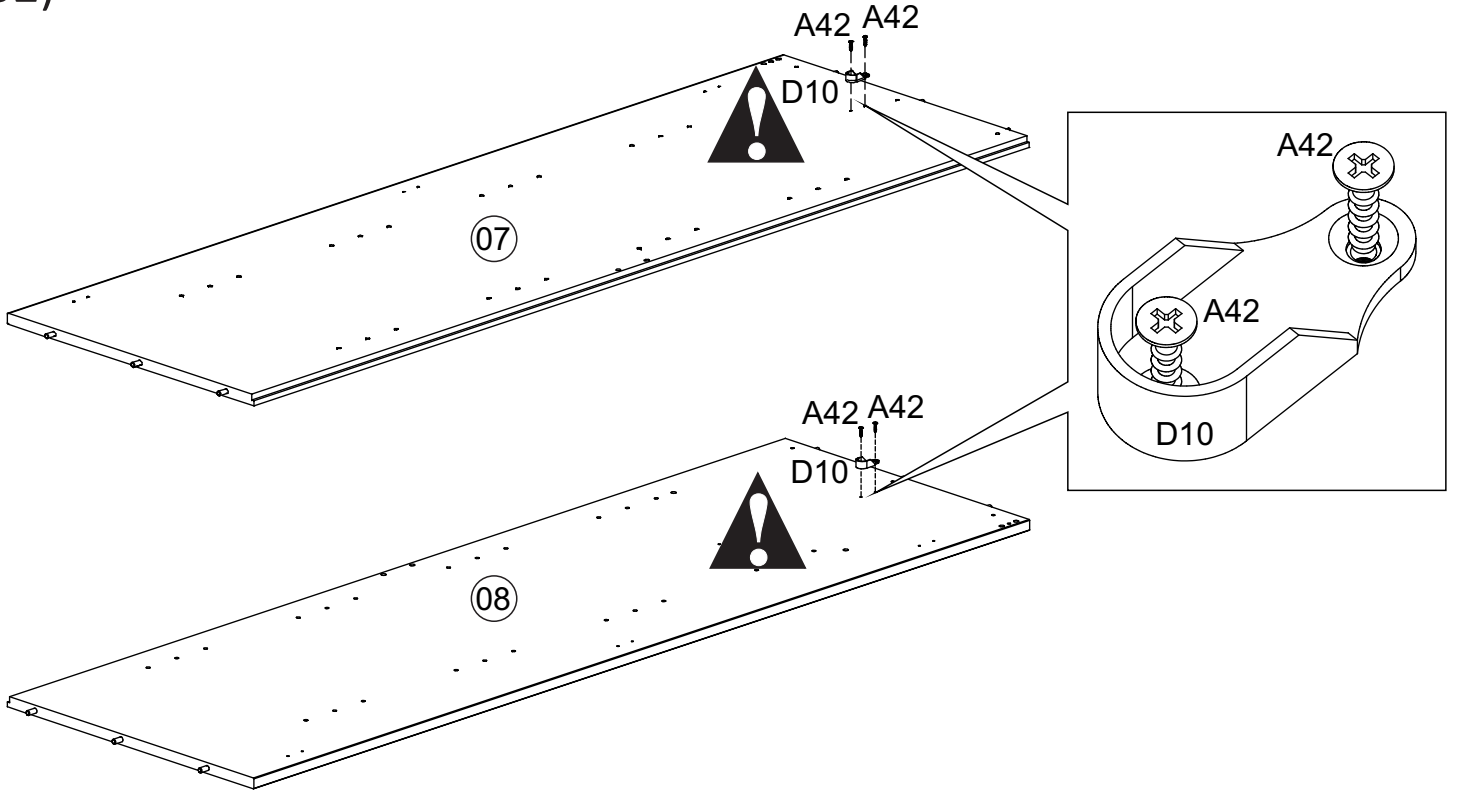
C2



8,0x25

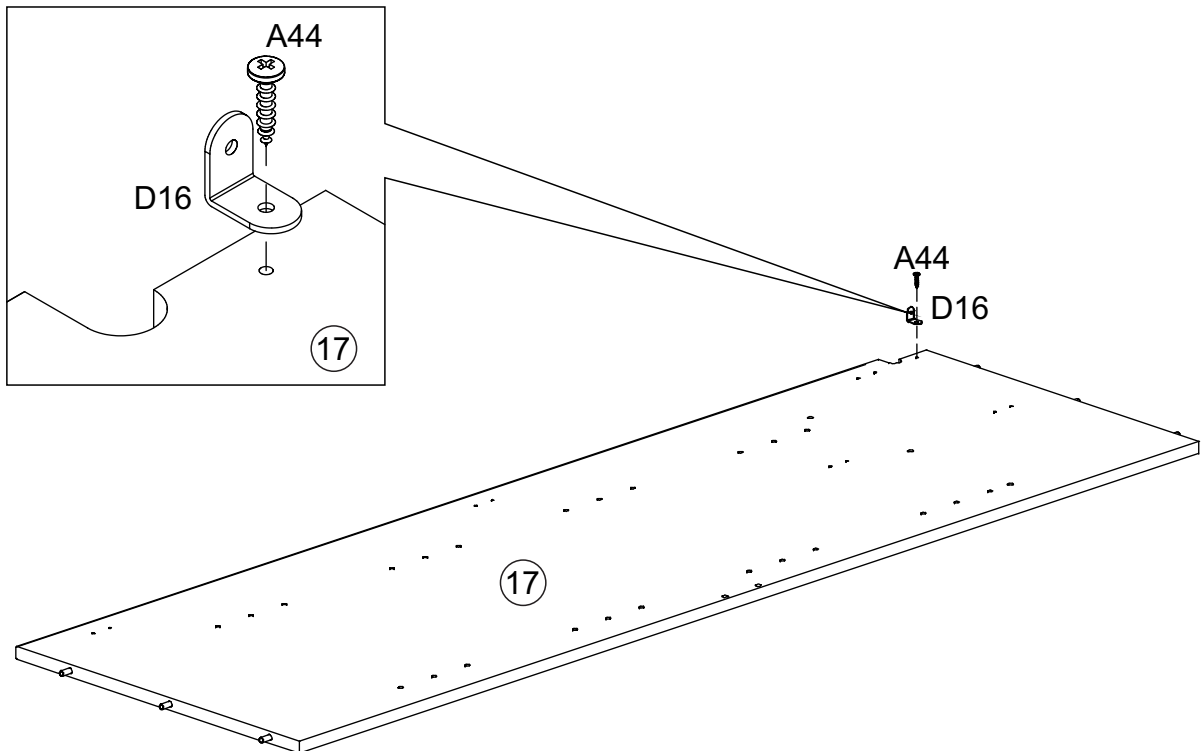
48

02)



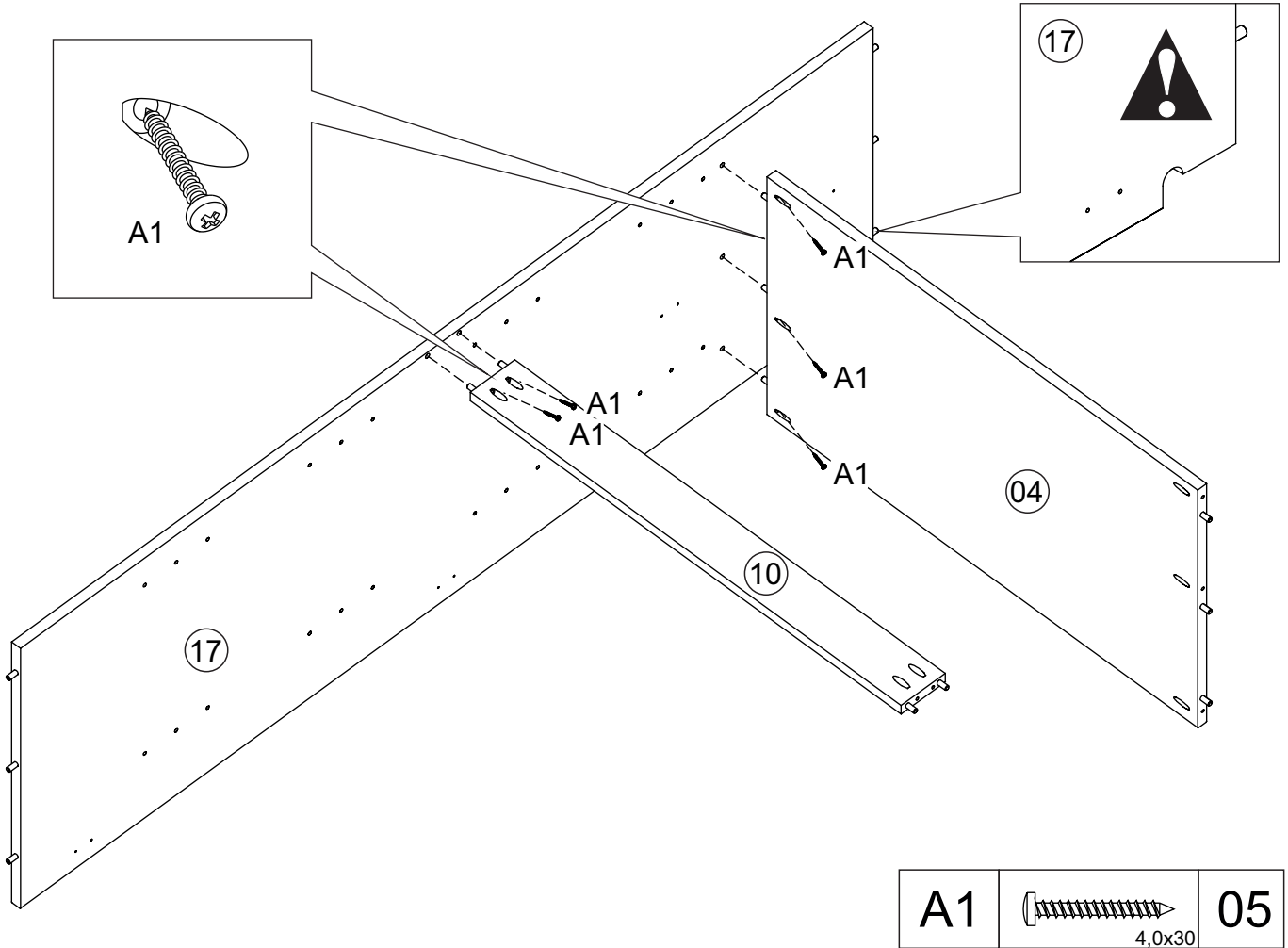
A42		04	D10		02
	4.0x14				

03)  
2x

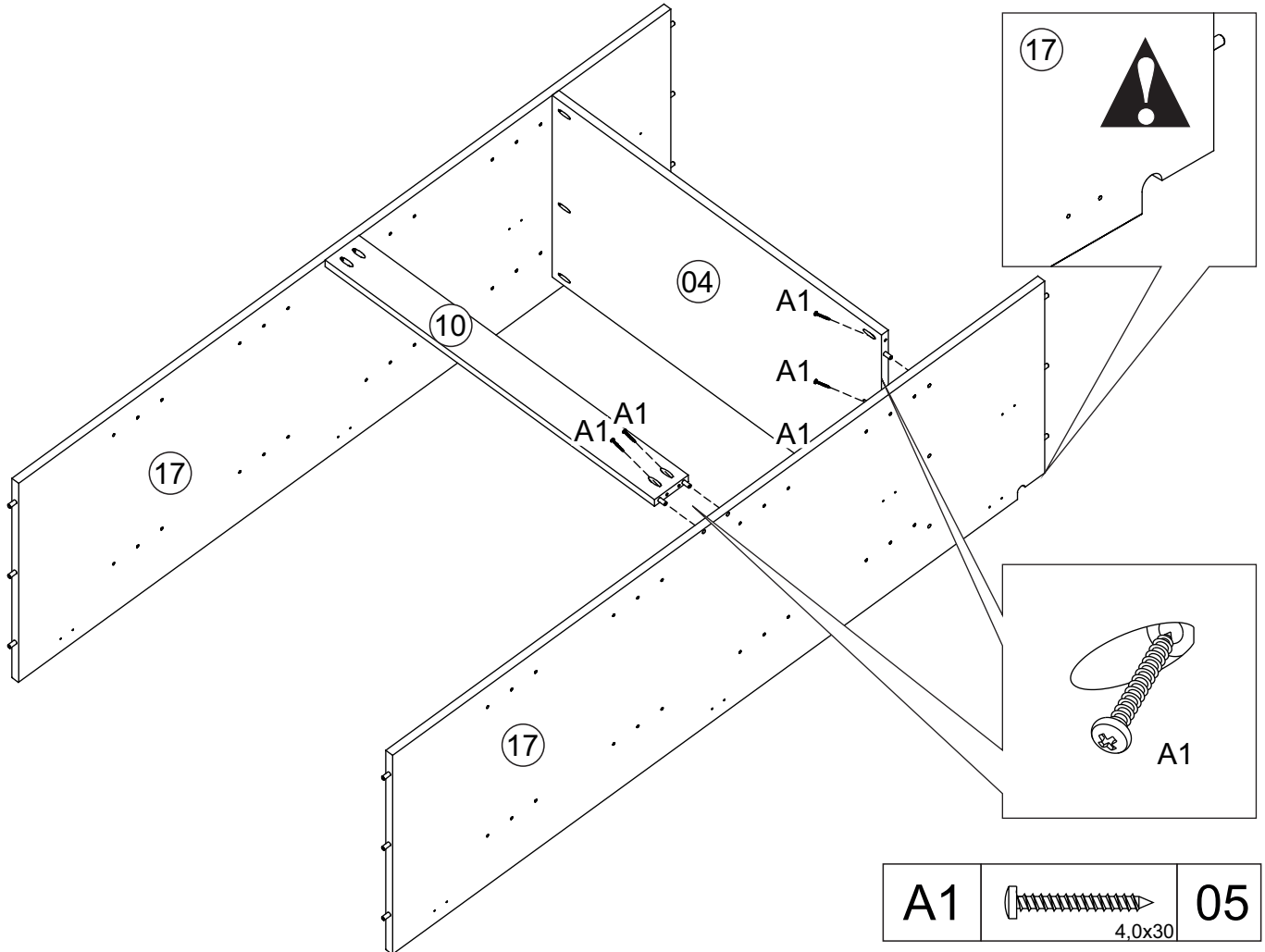


A44		02	D16		02
	3.5x14				

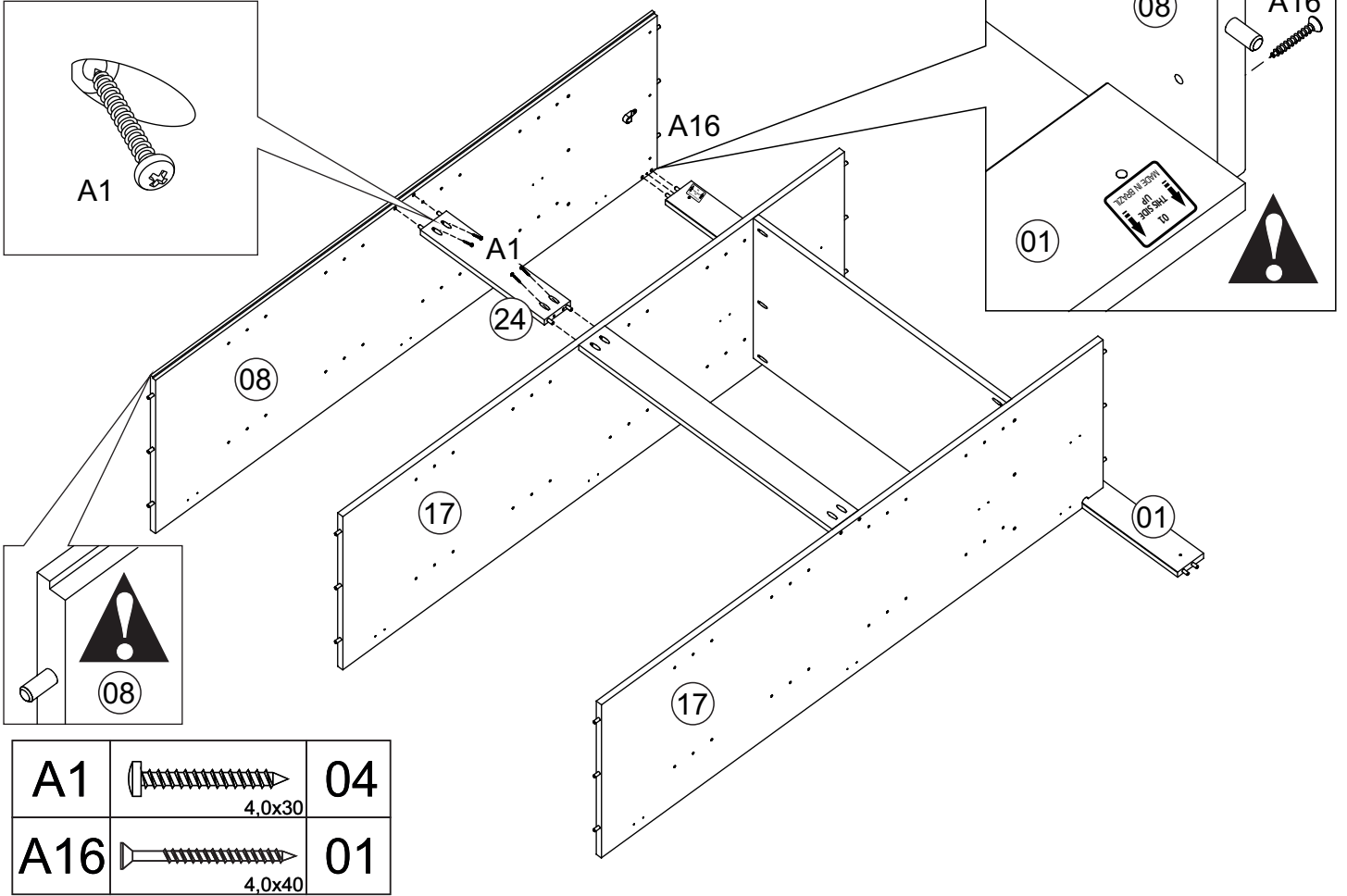
04)



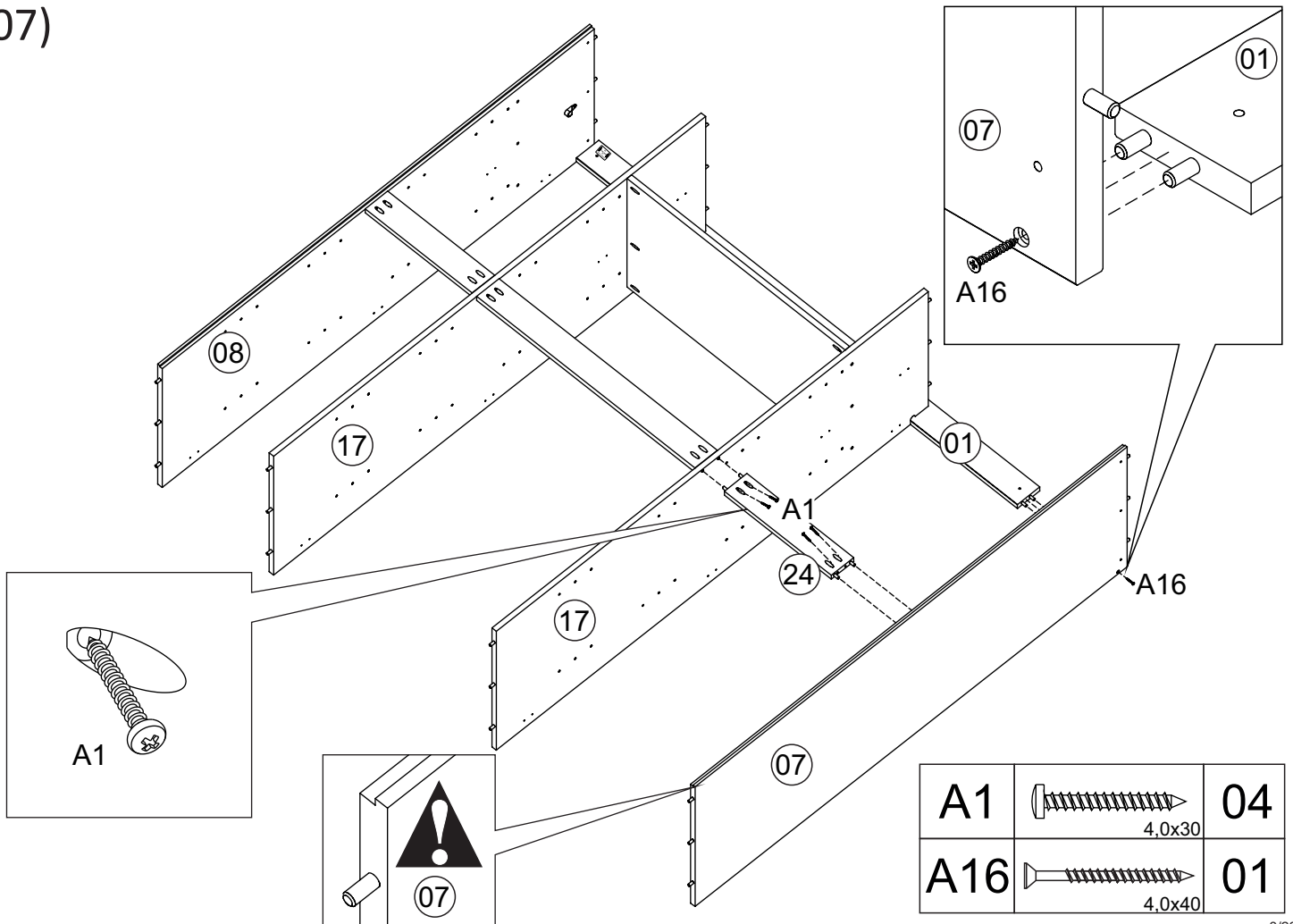
05)



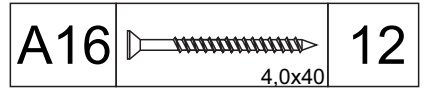
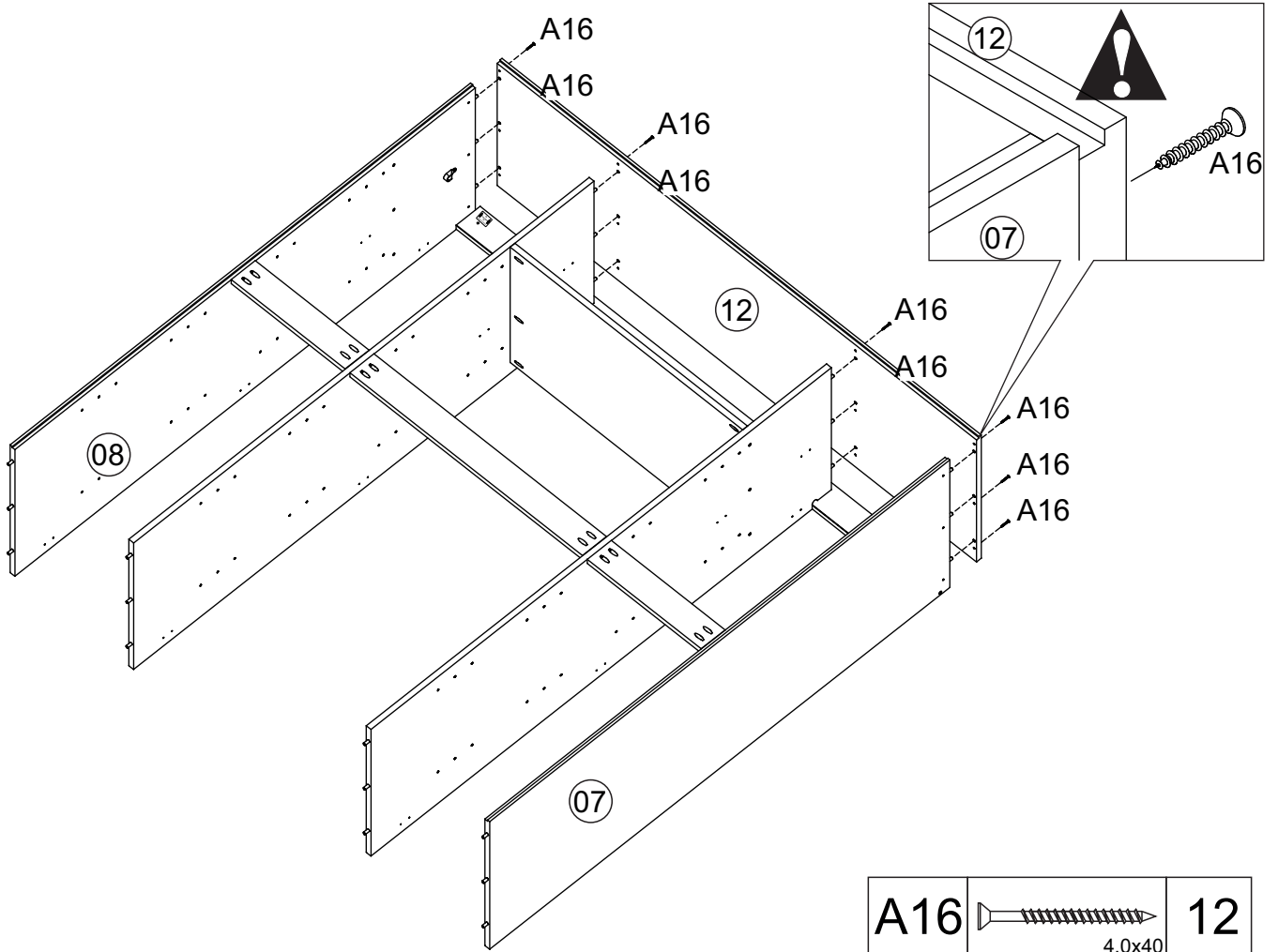
06)



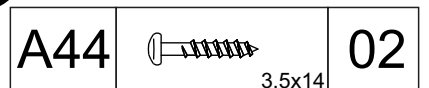
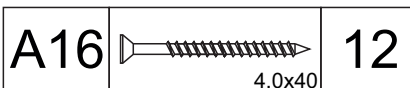
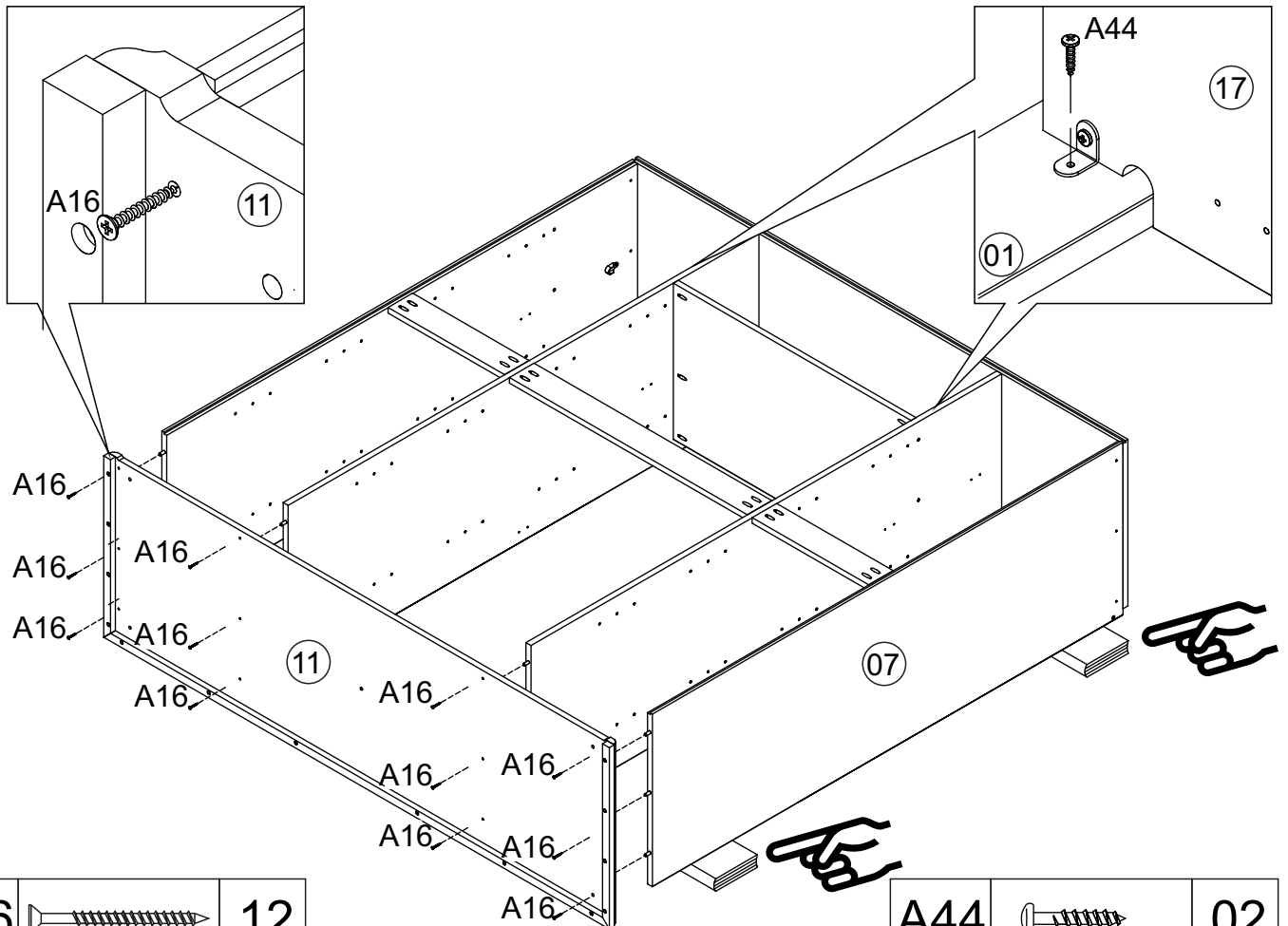
07)



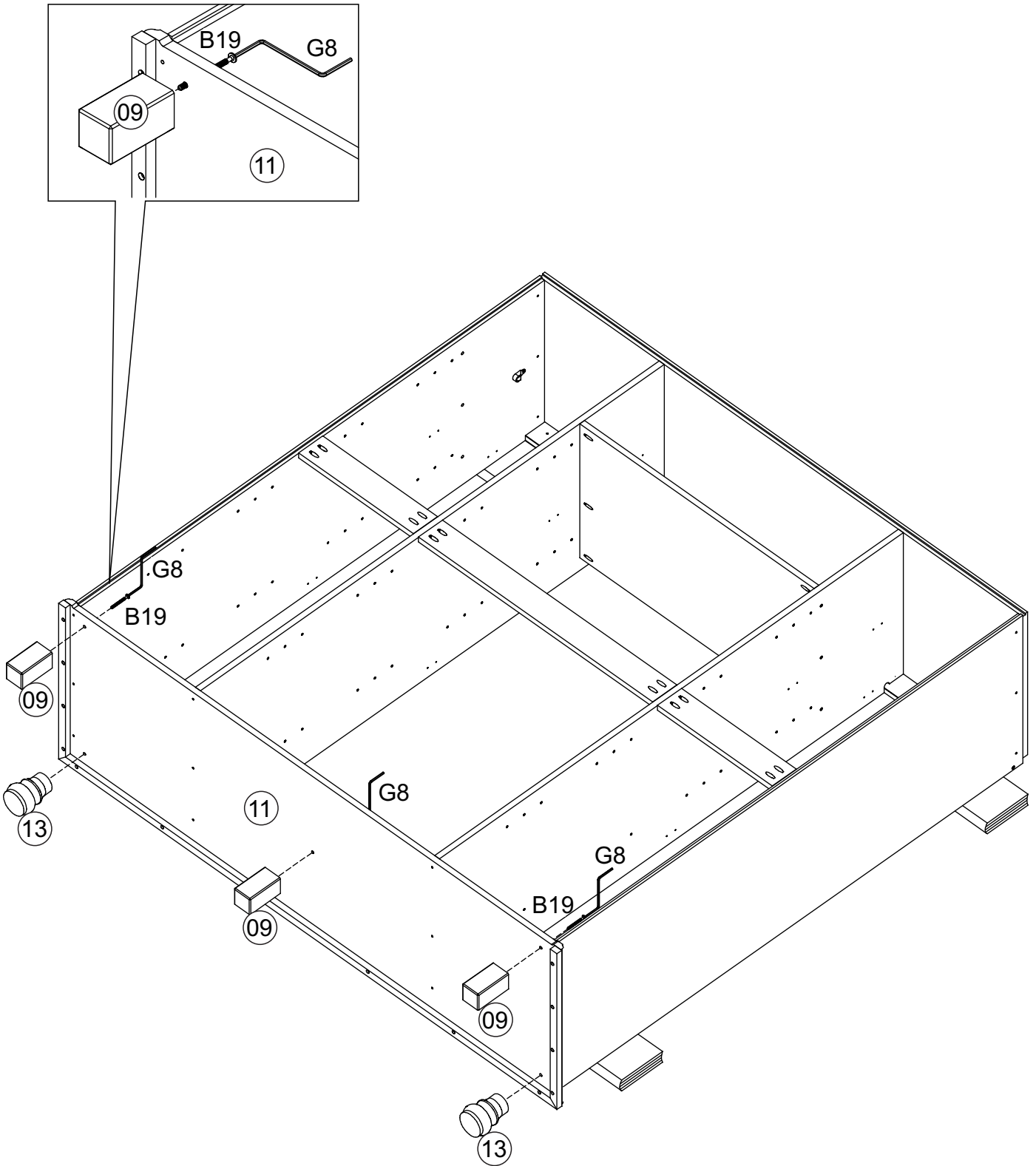
08)

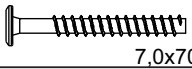



09)

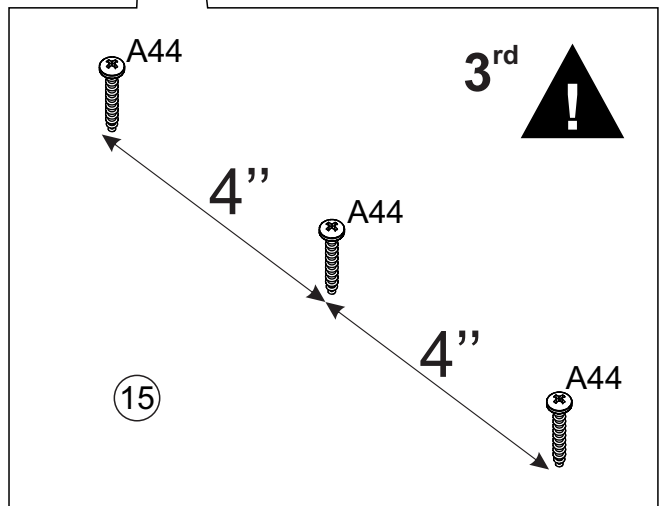
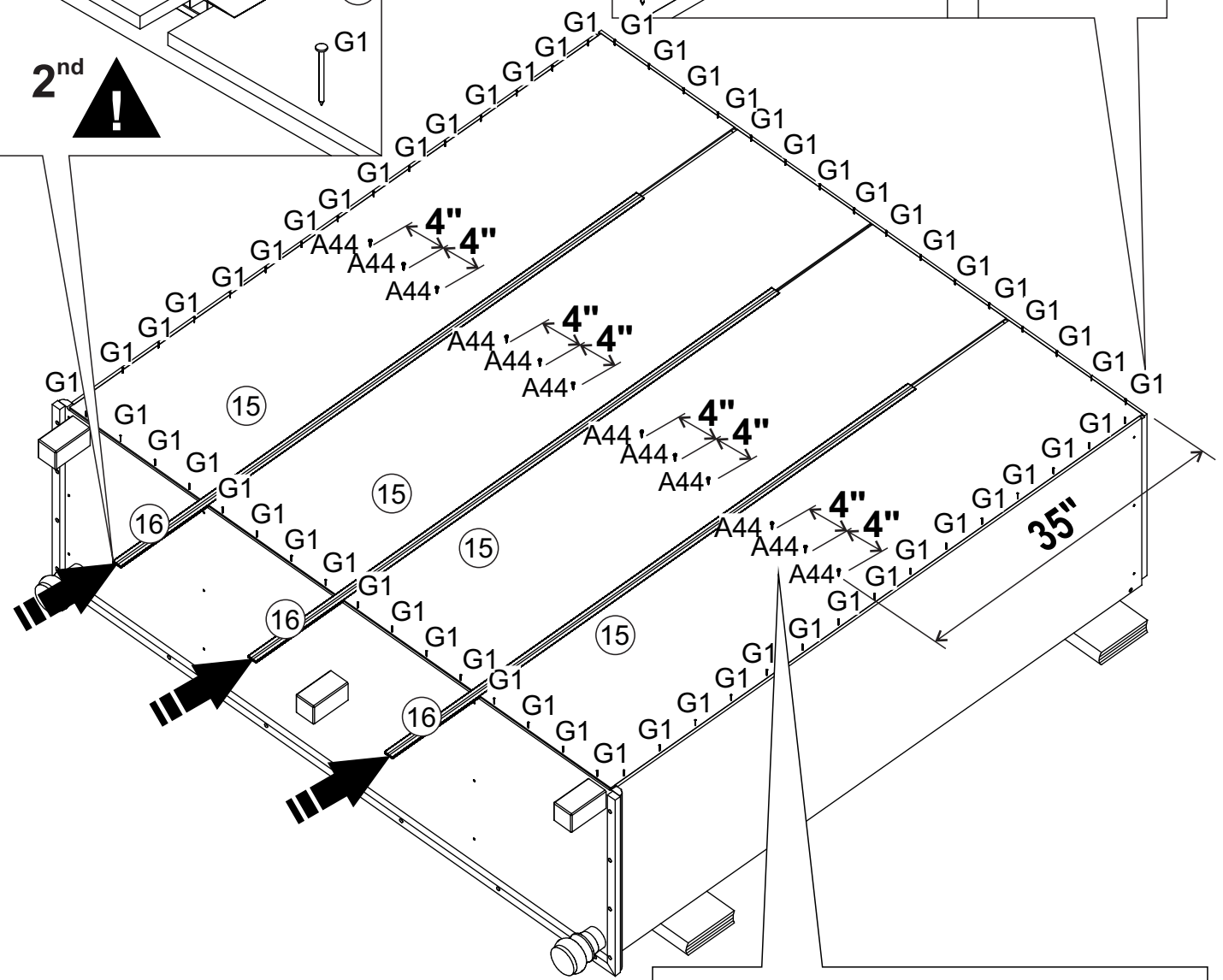
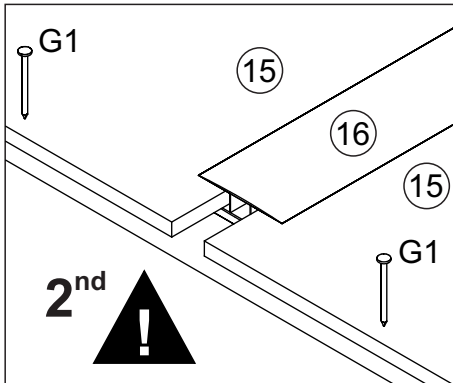
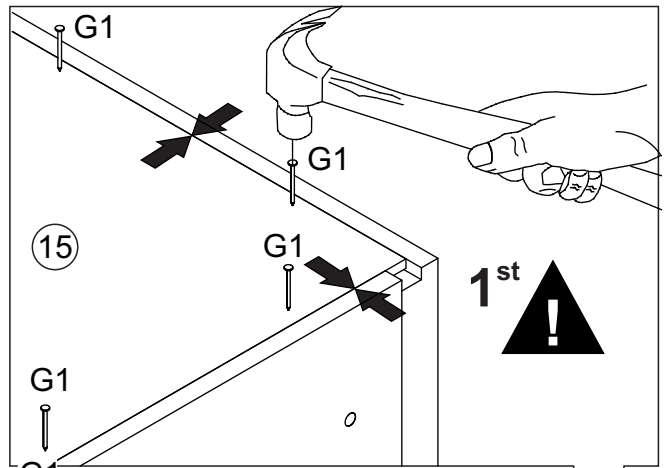


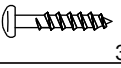
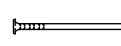
10)



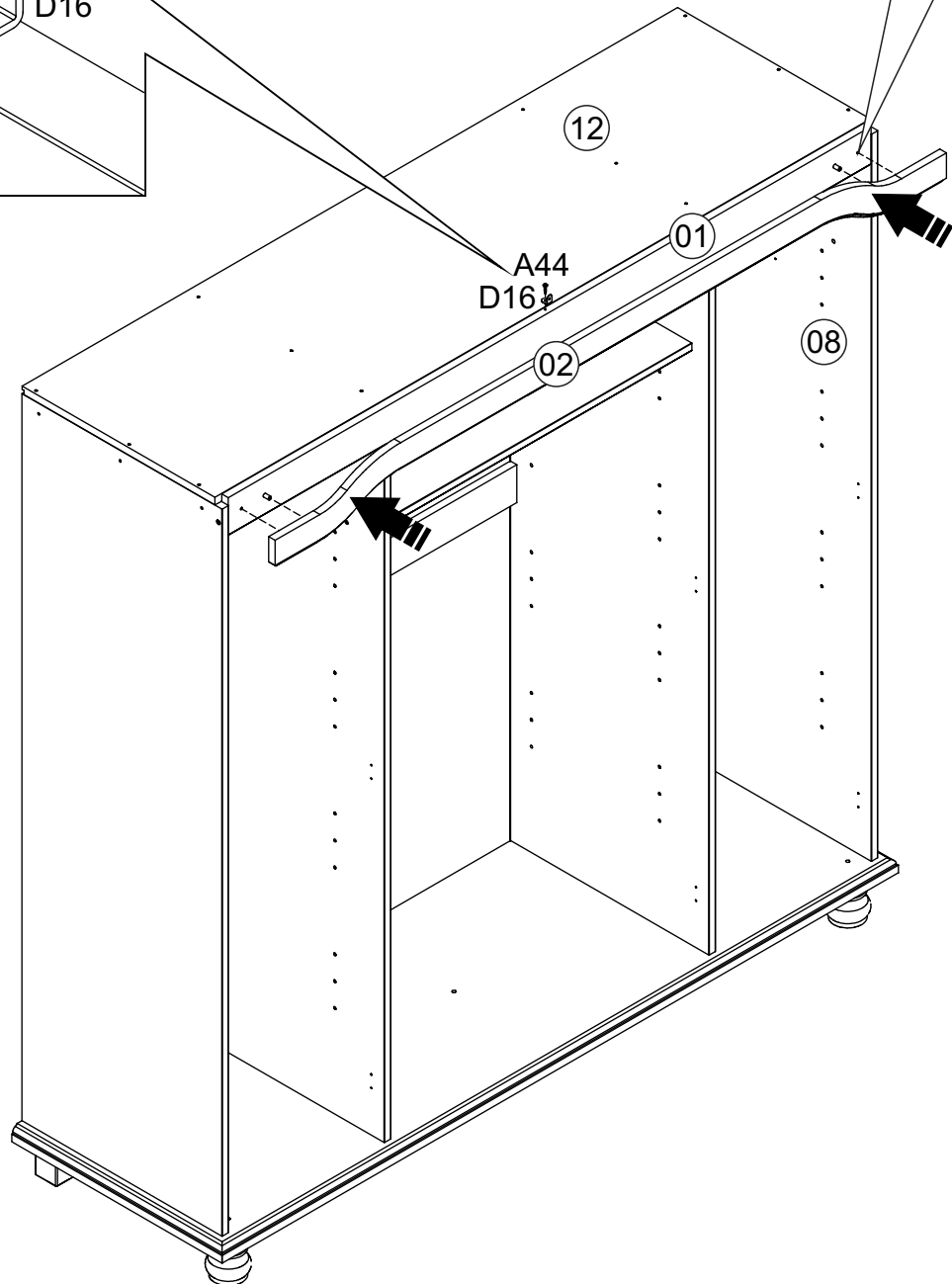
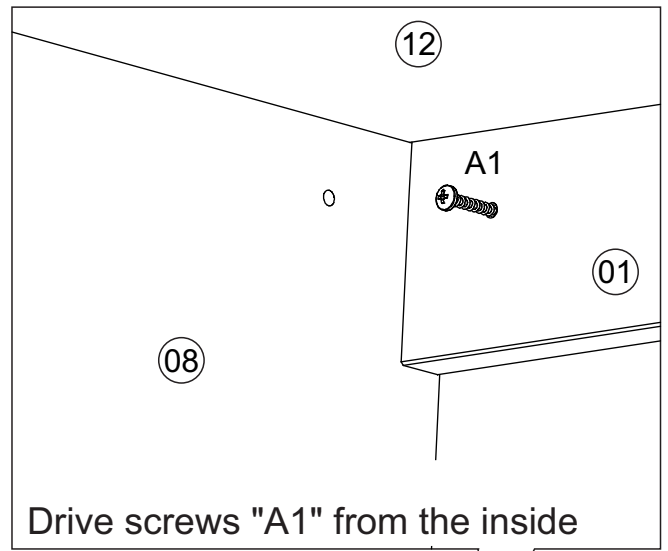
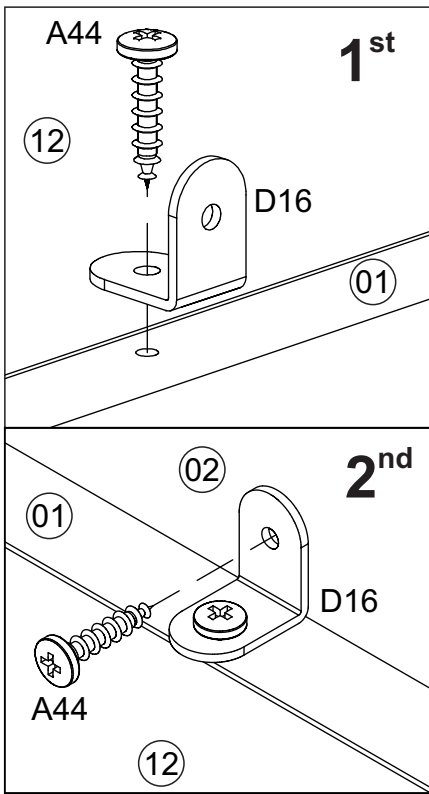
B19	 7.0x70	05
G8		01


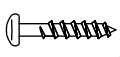

11)



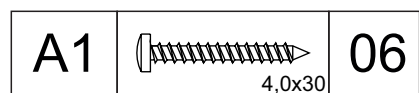
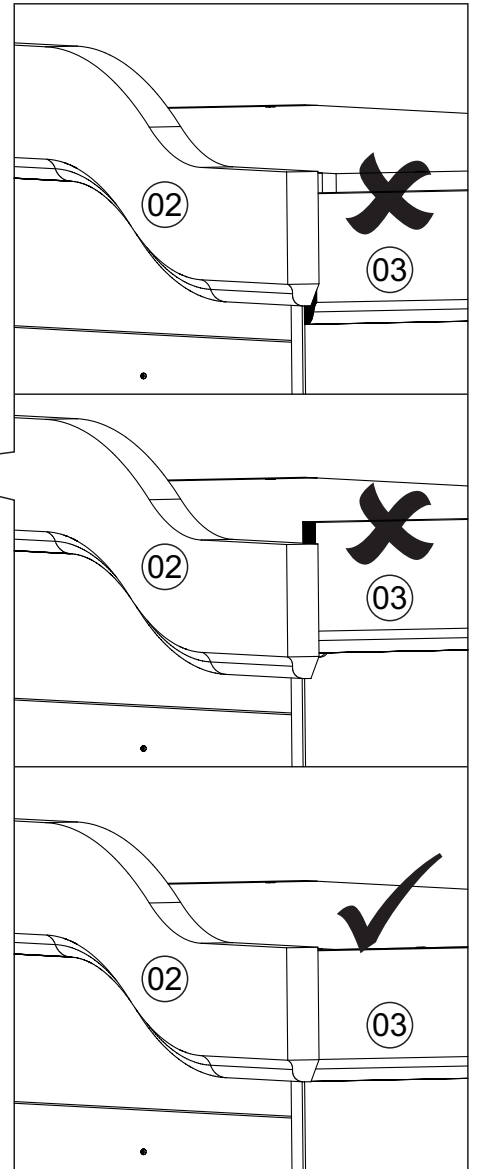
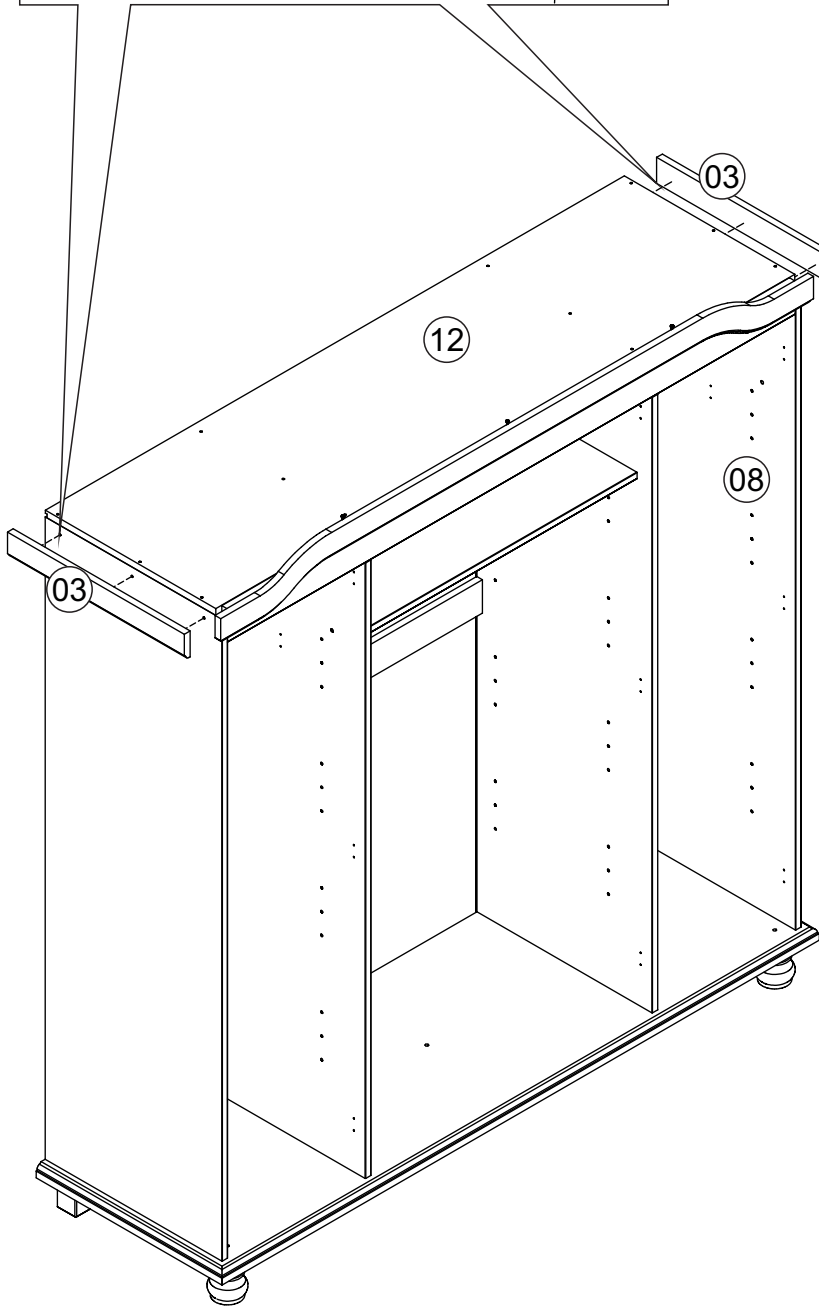
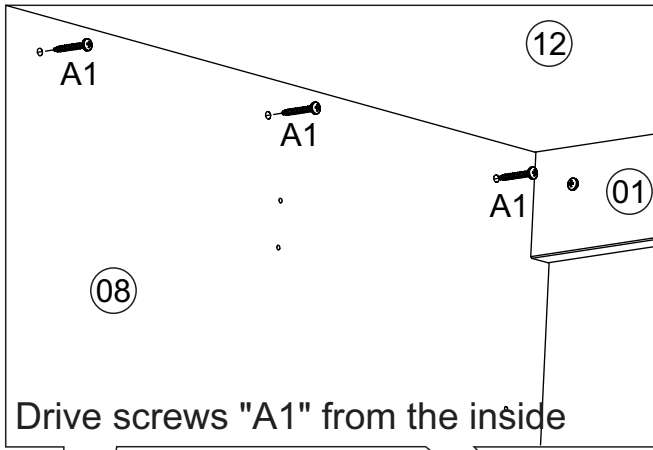
A44	 3.5x14	12
G1	 10x10	62

12)

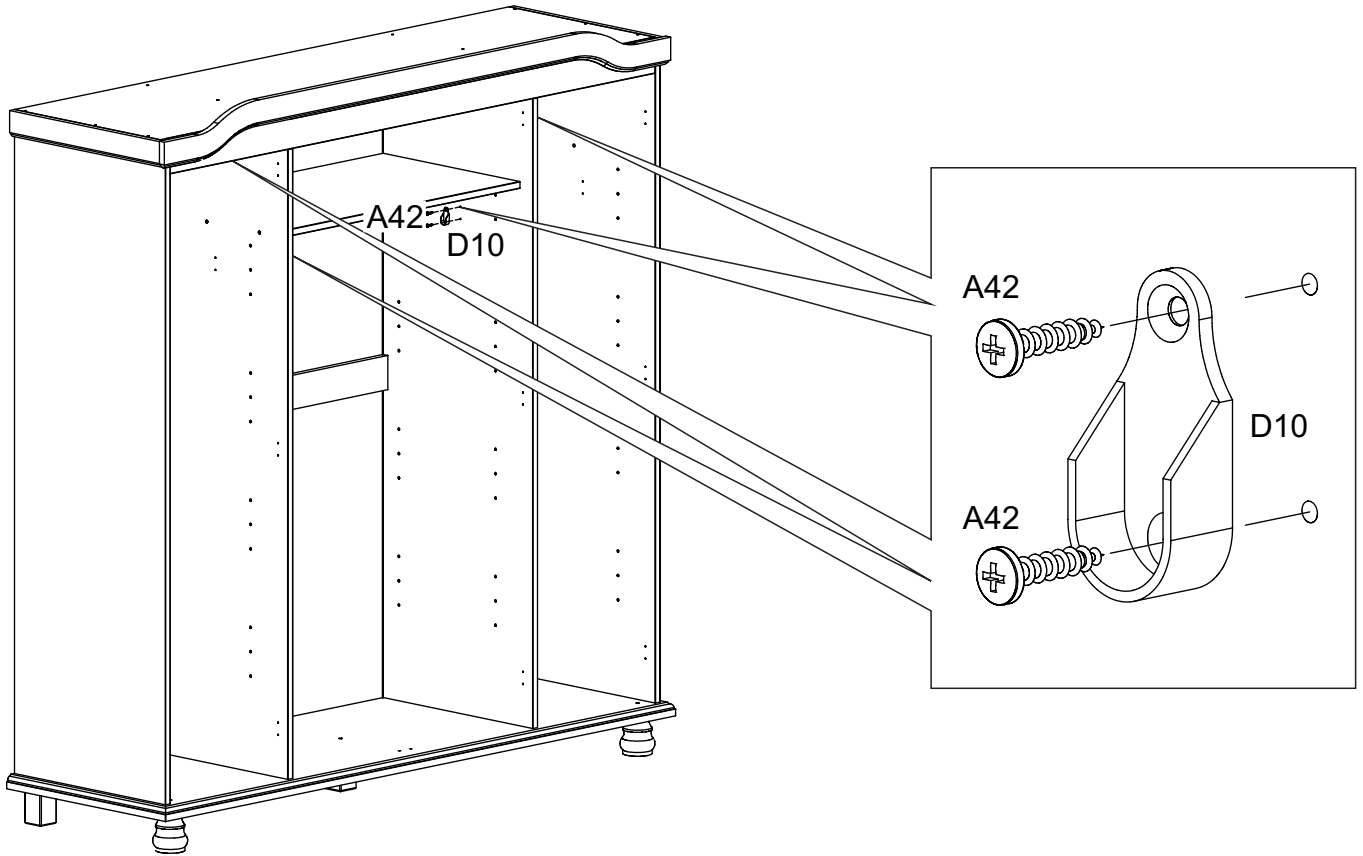




A1	 4,0x30	02	A44	 3,5x14	02	D16		01
----	---	----	-----	---	----	-----	---	----

13)

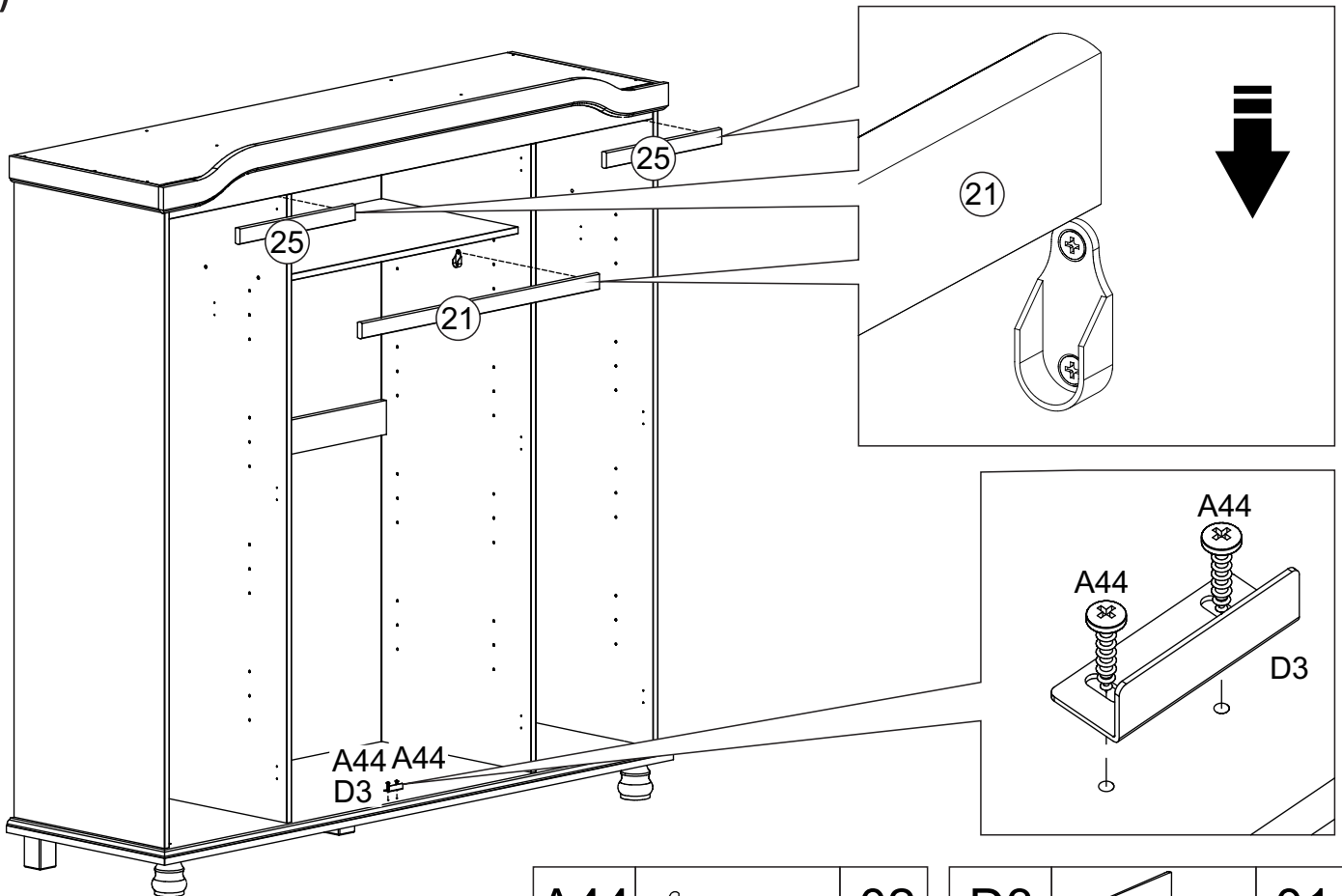


14)



A42		08	D10		04
	4.0x14				

15)

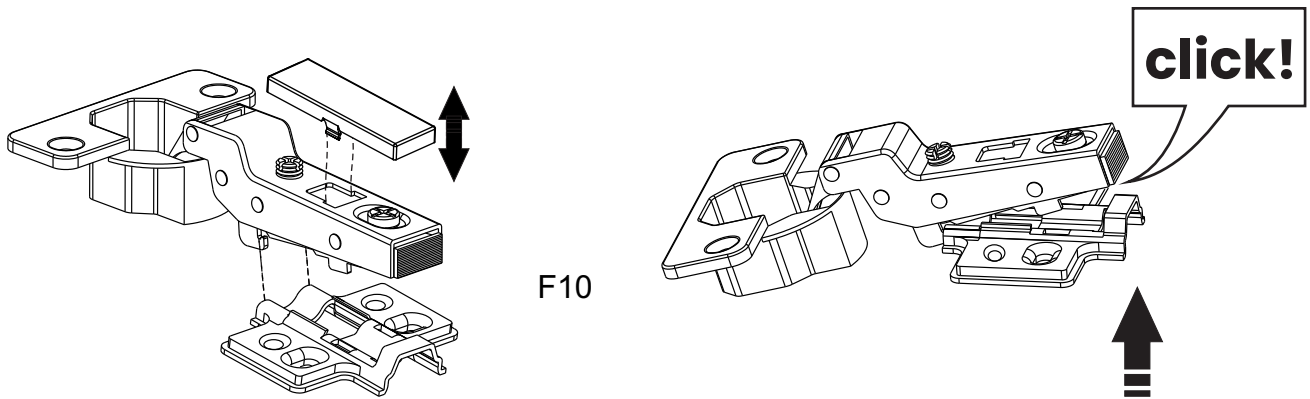


A44		02	D3		01
	3.5x14				

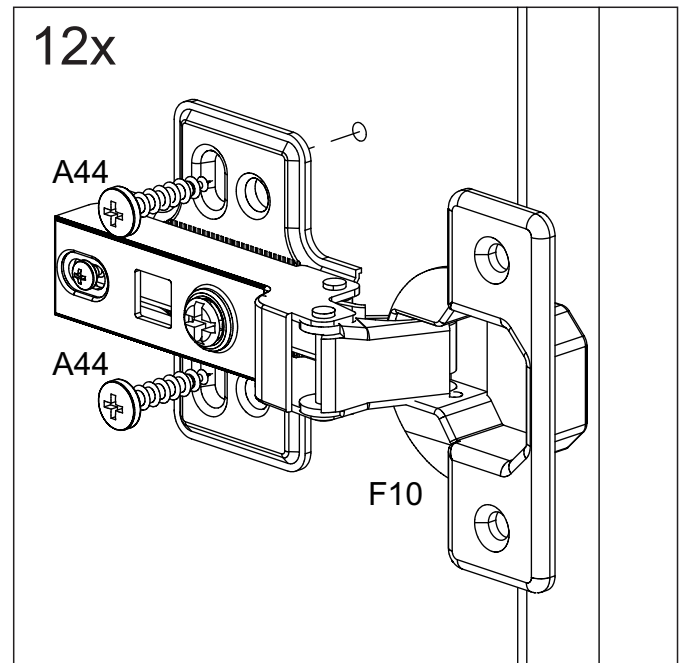
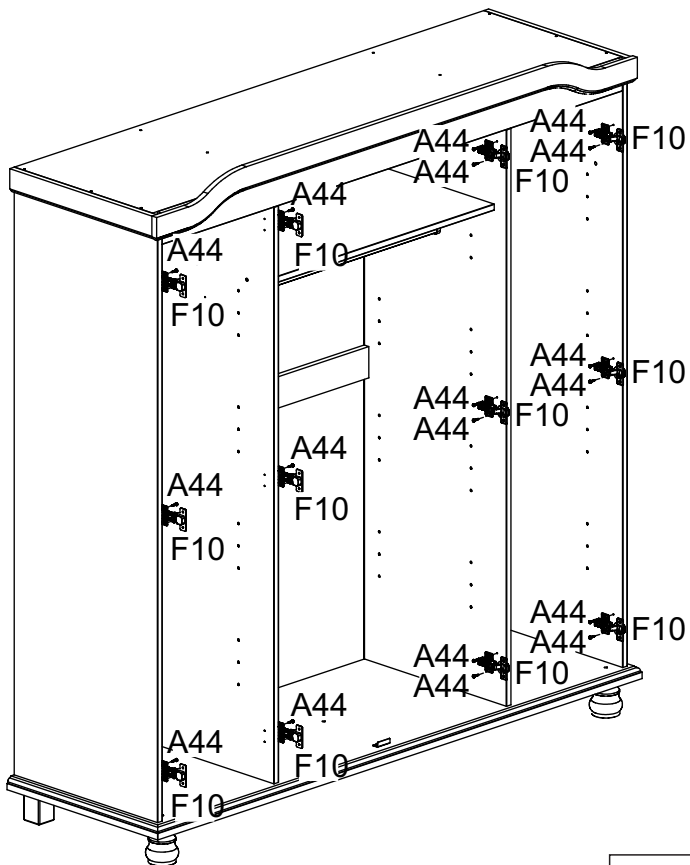
16)

Attach hinge ( F10 ) to hinge plate if it came separated.

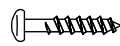
Push hinge against plate until it clicks.



17)



A44



3,5x14

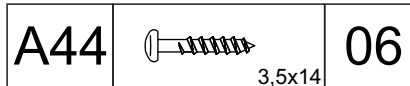
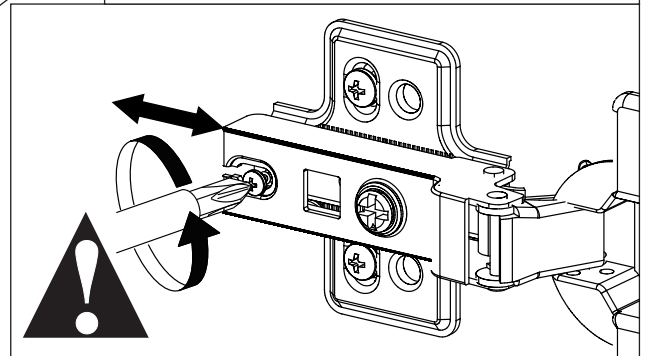
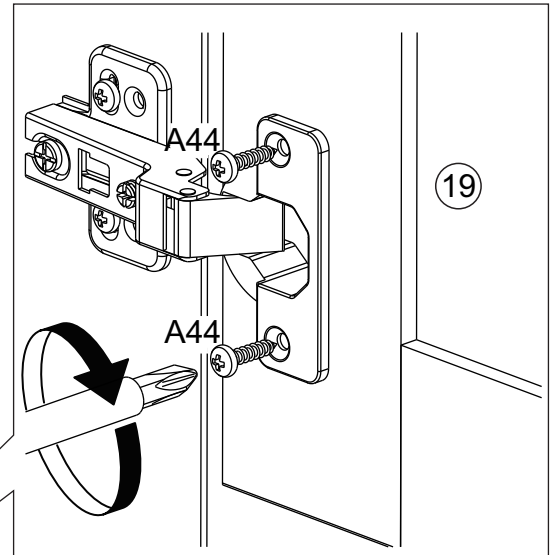
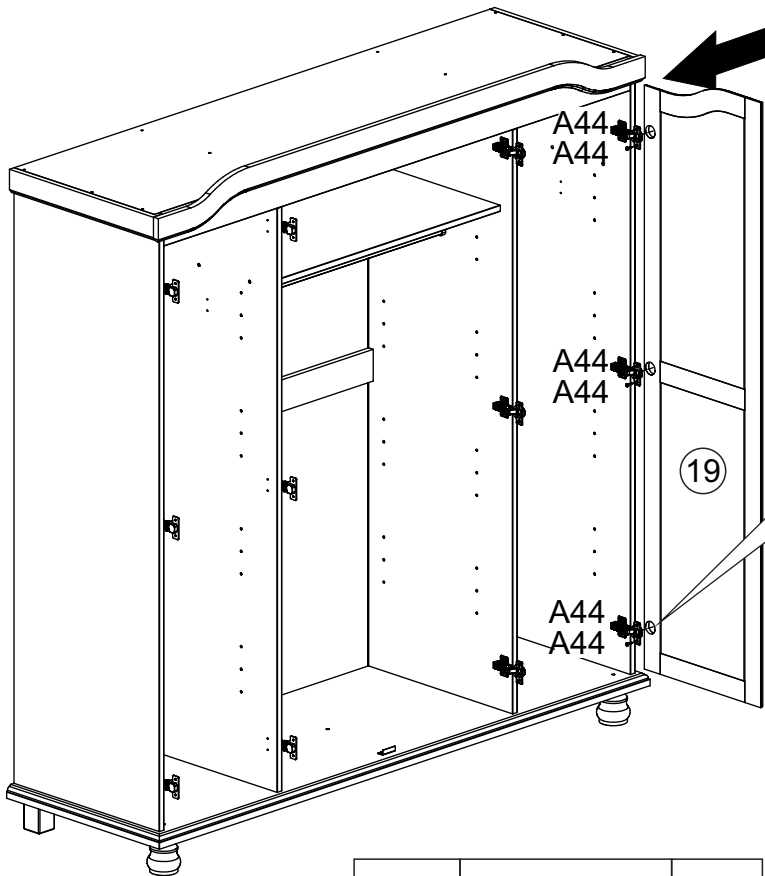
24

F10



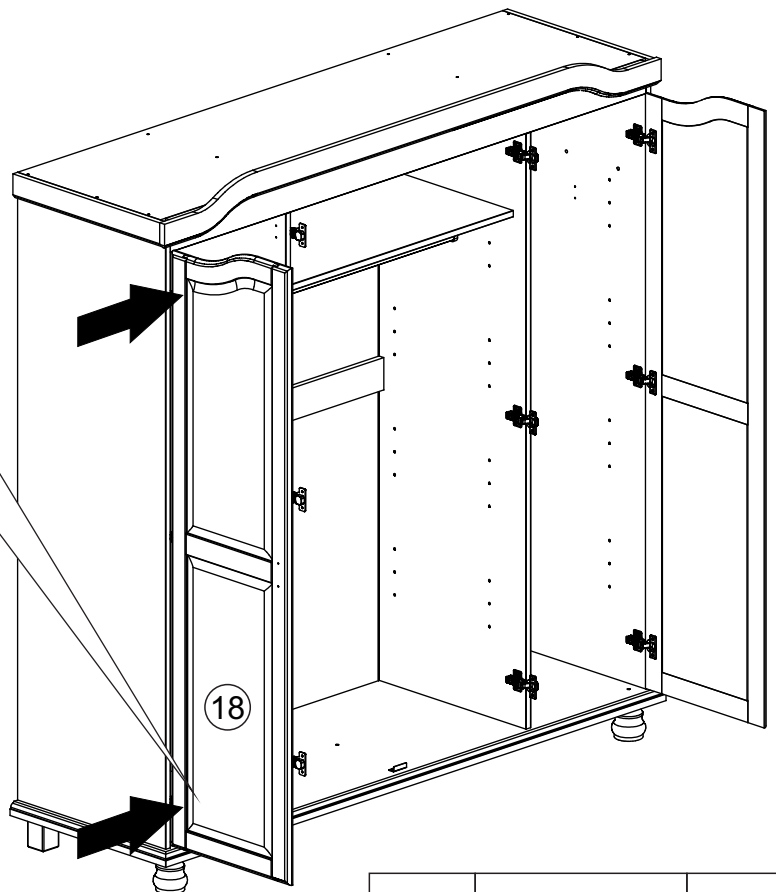
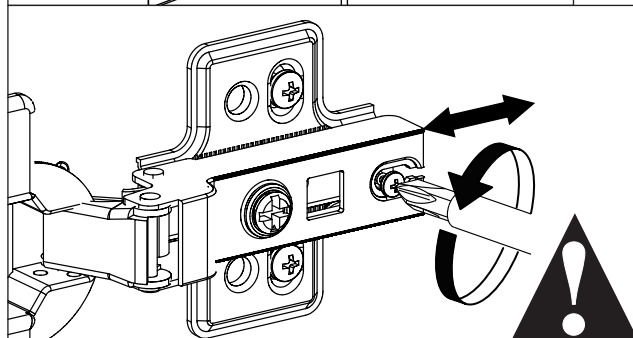
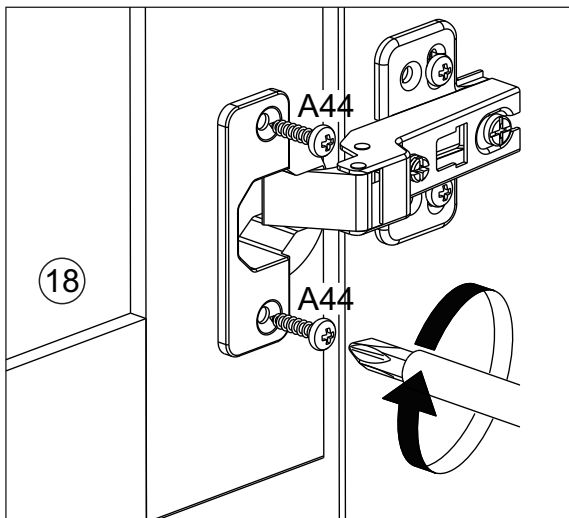
12

18)

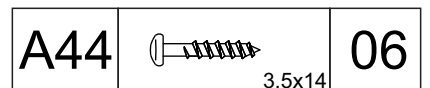


To install the door, it might be necessary to adjust the hinges (F10) before placing the door.

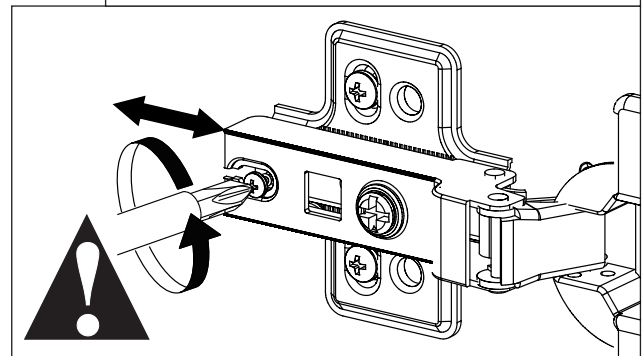
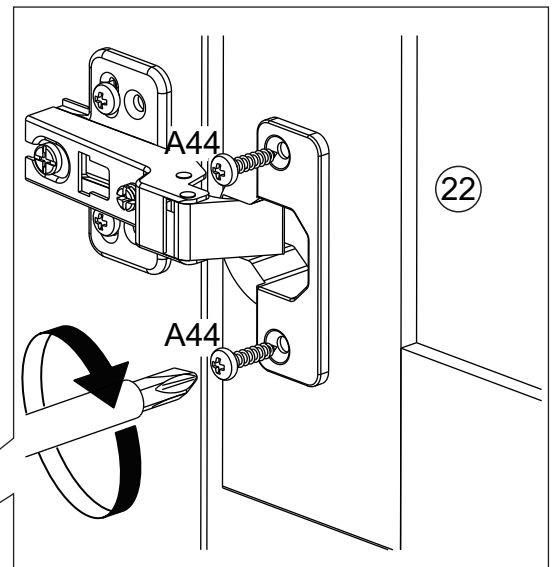
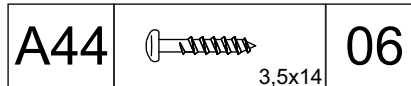
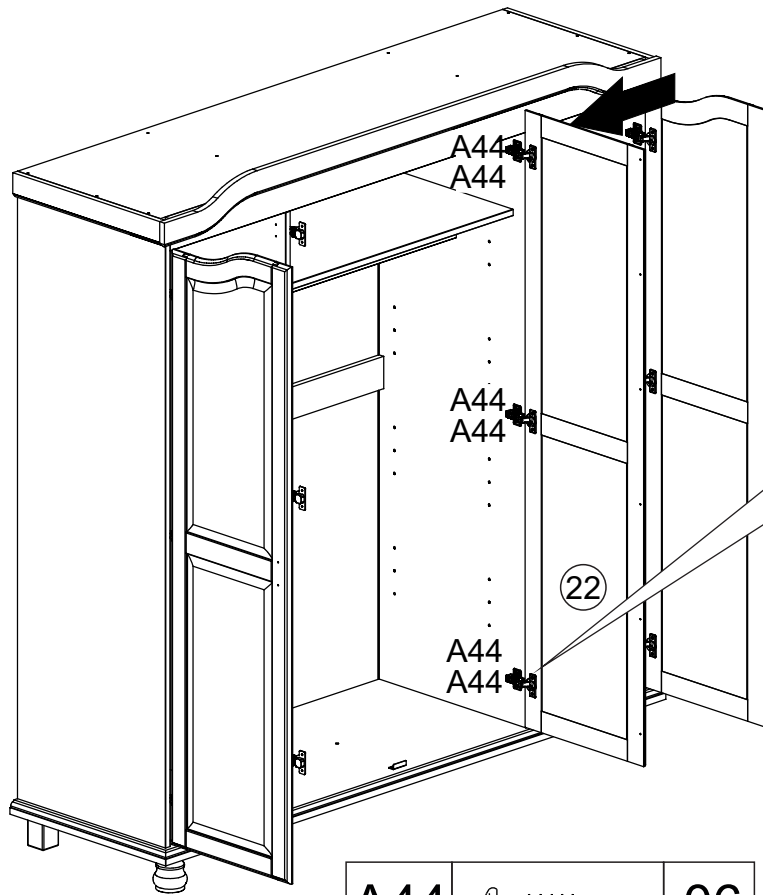
19)



To install the door, it might be necessary to adjust the hinges (F10) before placing the door.

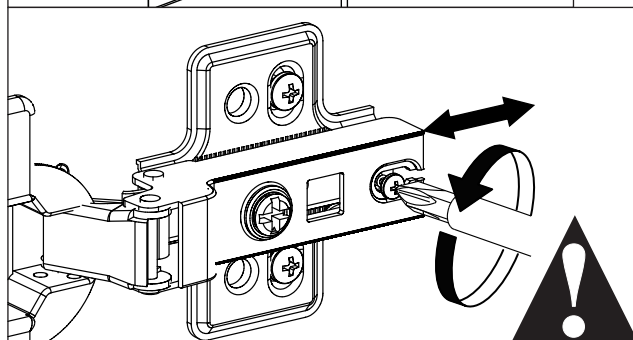
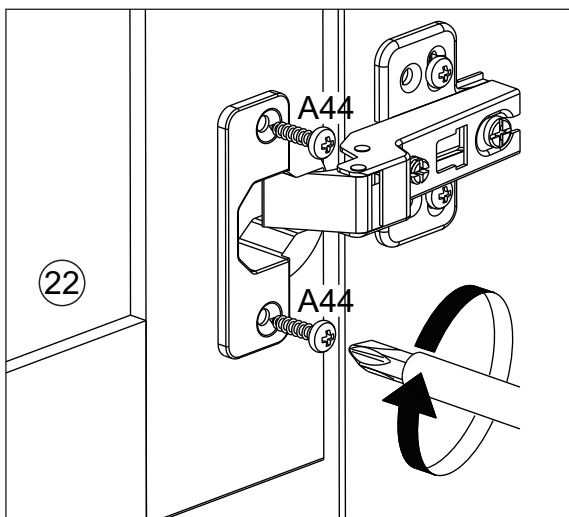


## 20) Raised panel doors

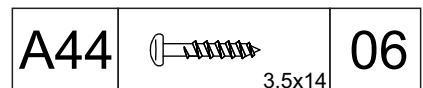
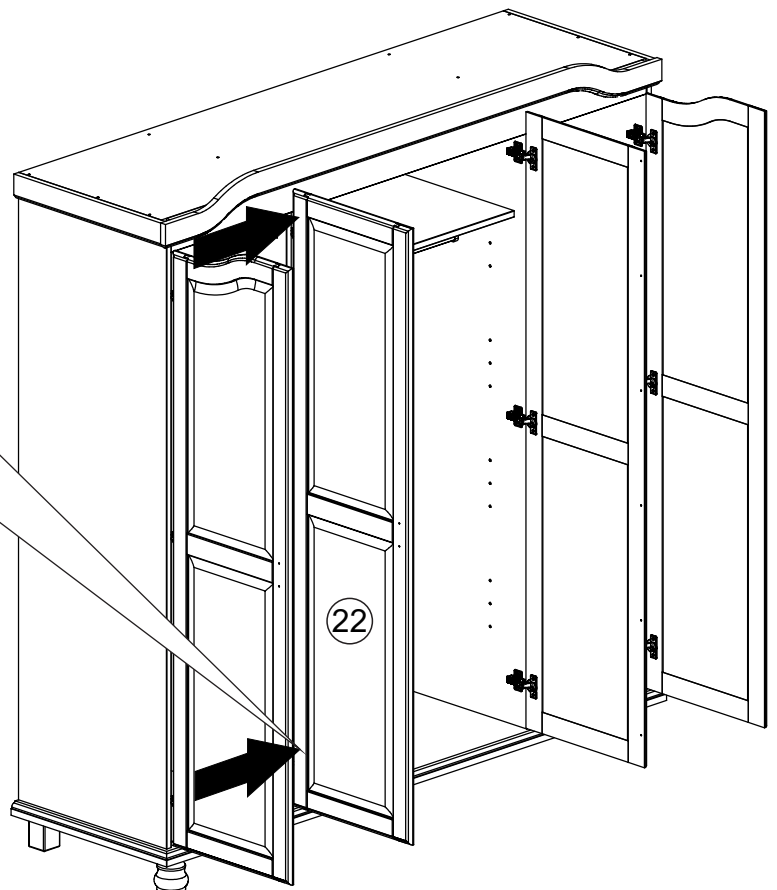


To install the door, it might be necessary to adjust the hinges (F10) before placing the door.

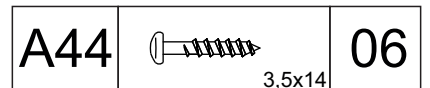
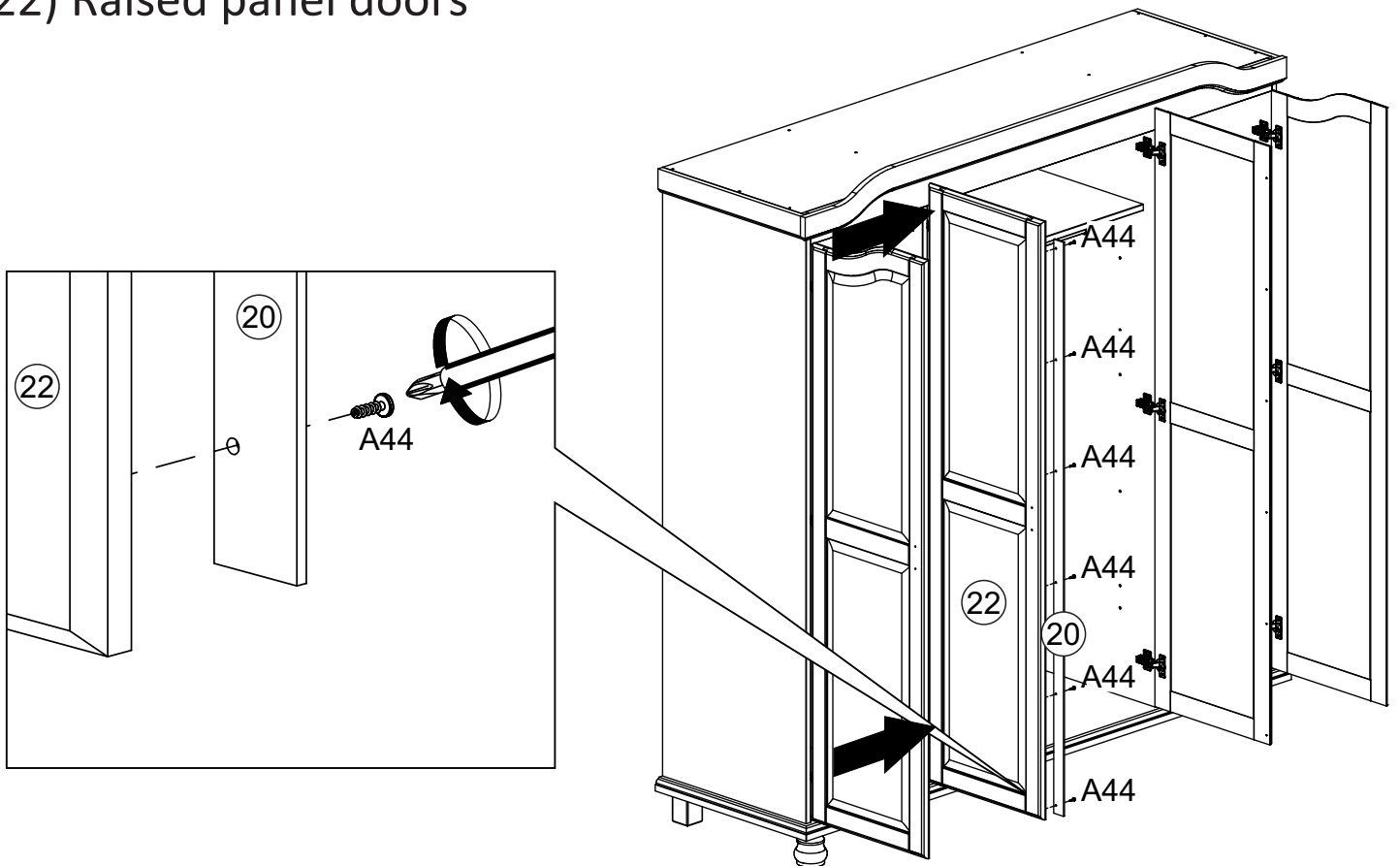
## 21) Raised panel doors



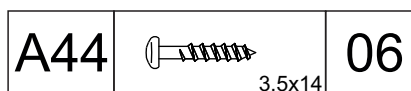
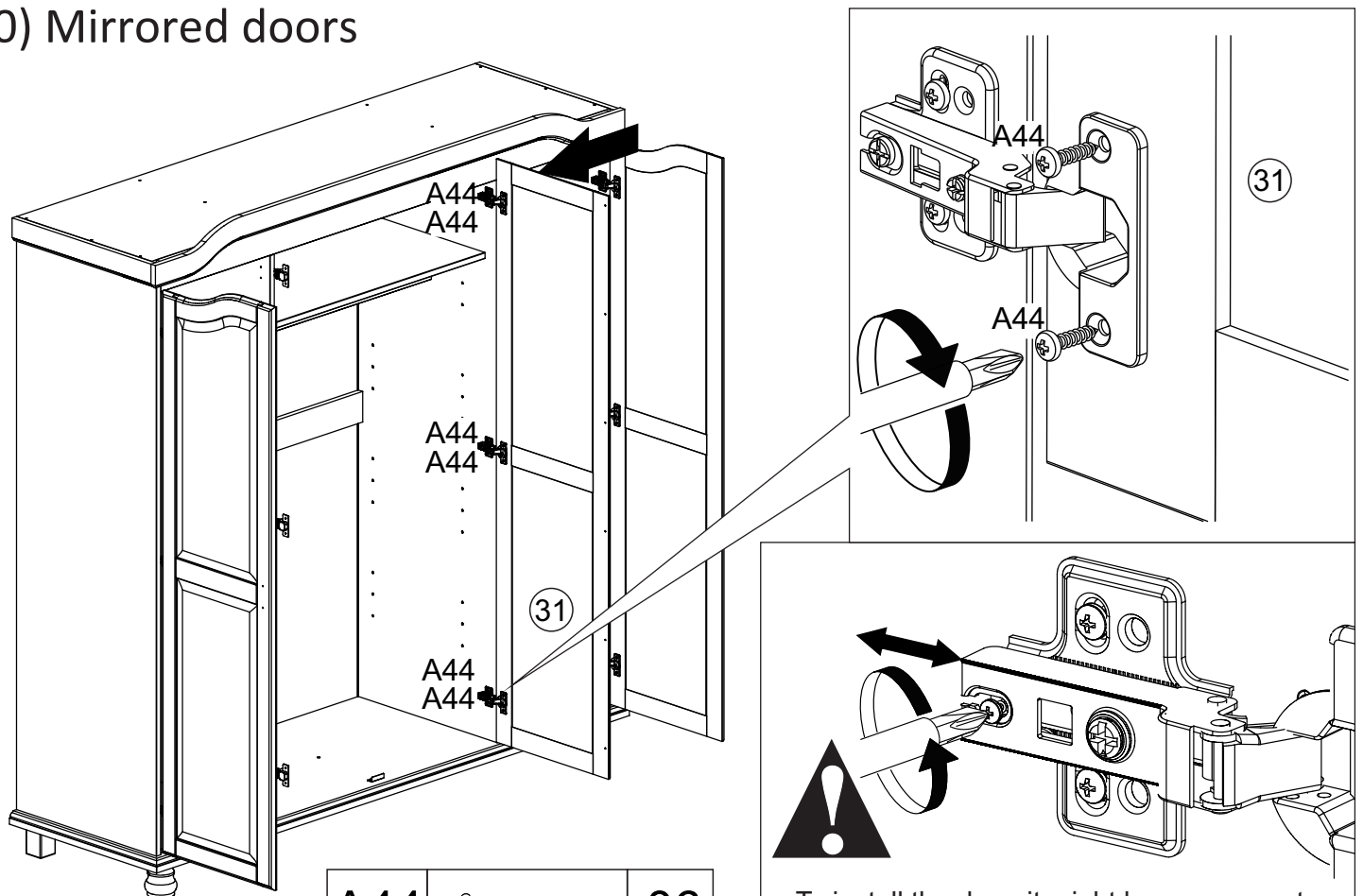
To install the door, it might be necessary to adjust the hinges (F10) before placing the door.



## 22) Raised panel doors

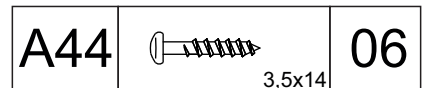
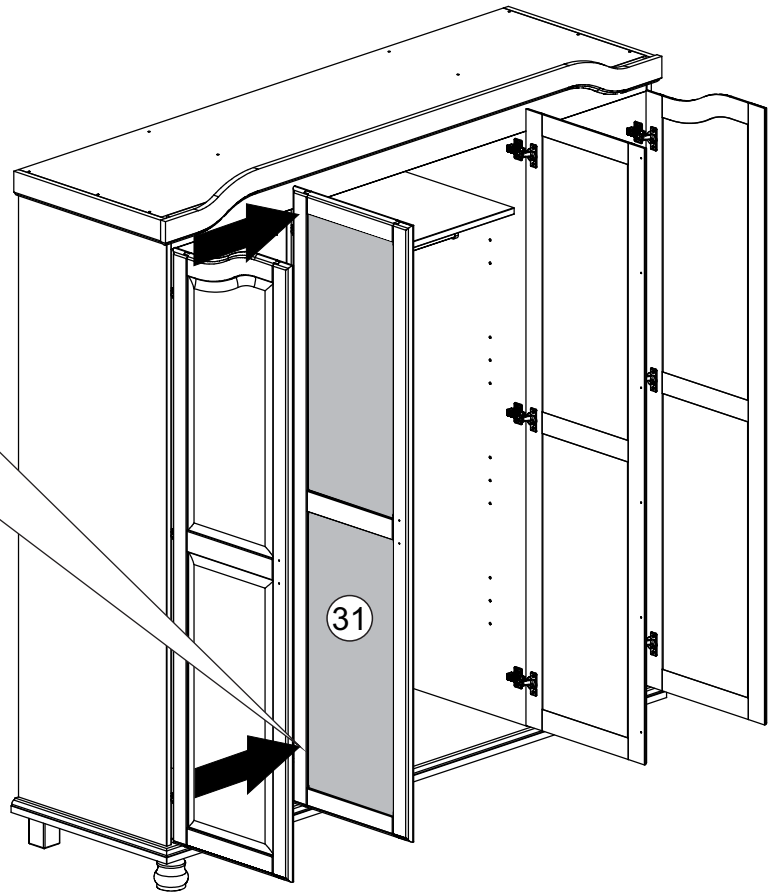
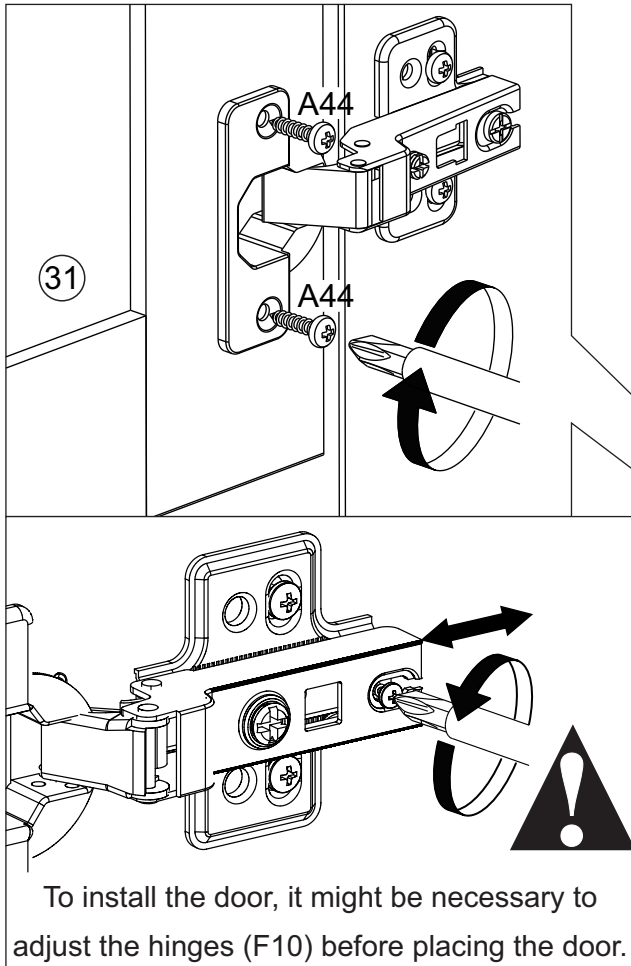


## 20) Mirrored doors

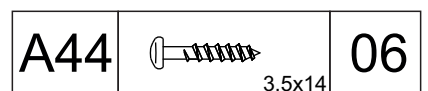
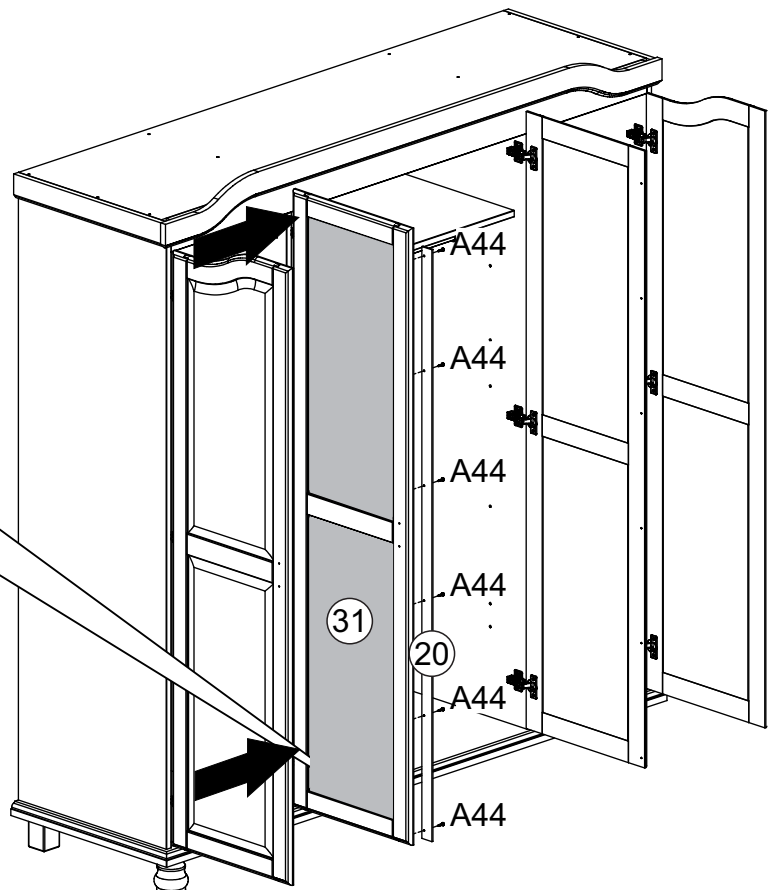
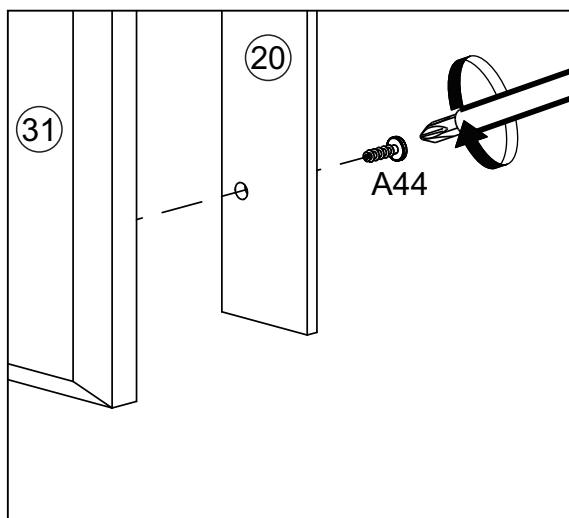


To install the door, it might be necessary to adjust the hinges (F10) before placing the door.

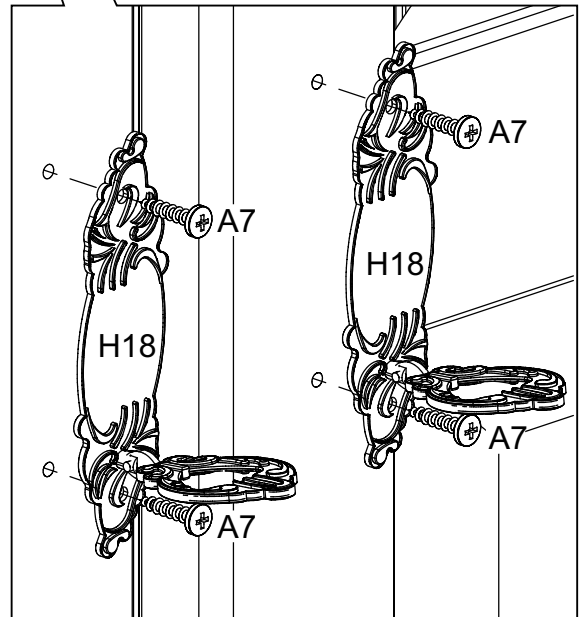
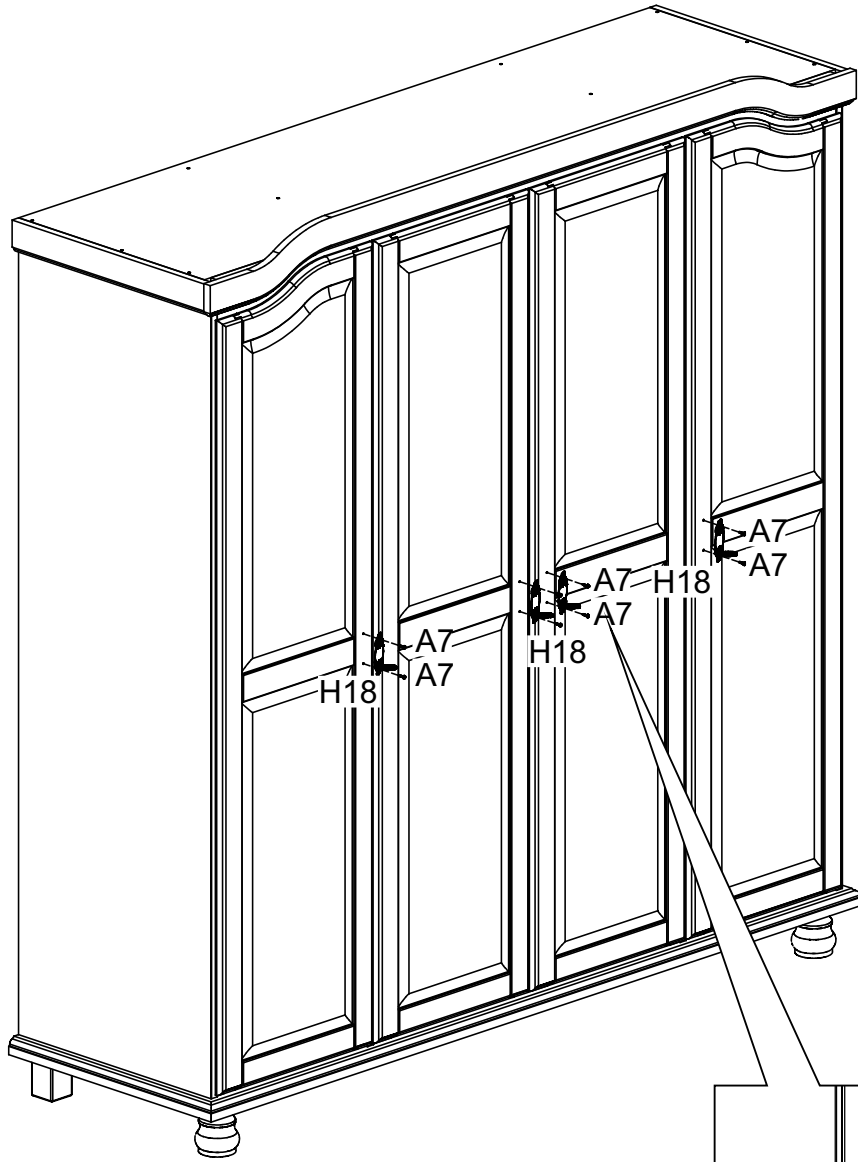
## 21) Mirrored doors

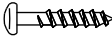



## 22) Mirrored doors

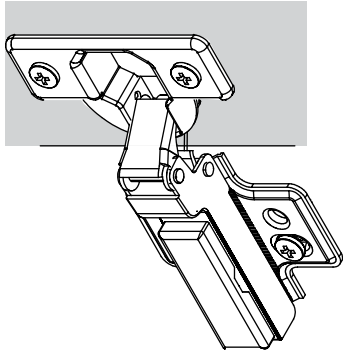
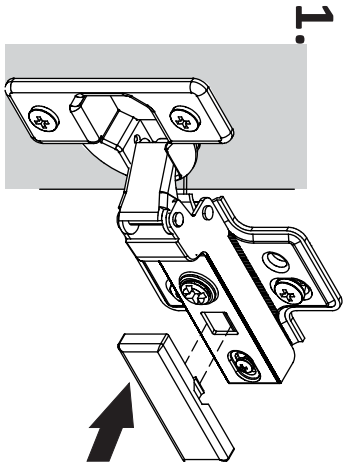
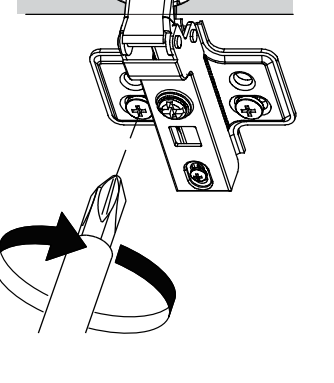
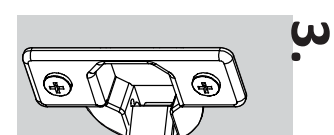
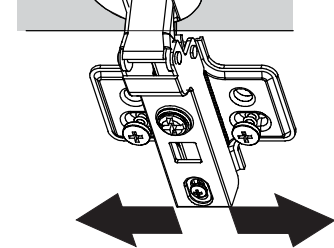
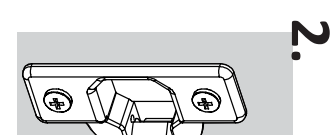
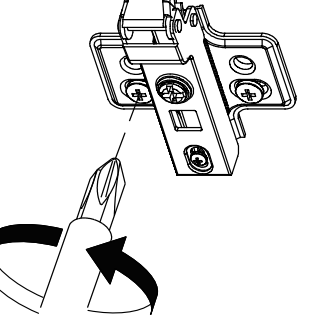
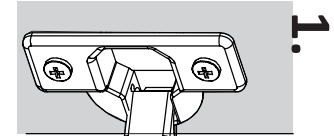
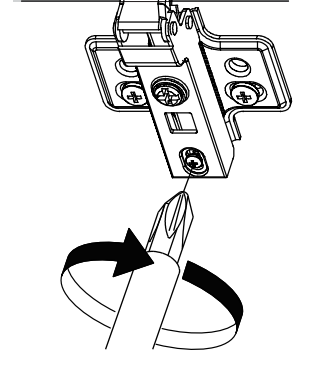
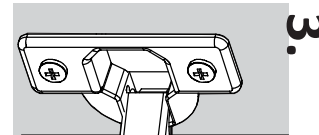
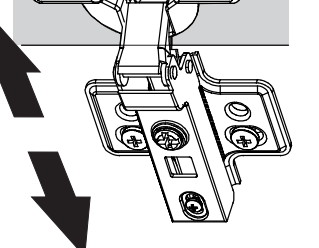
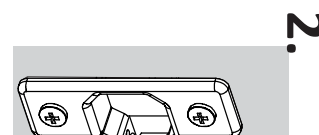
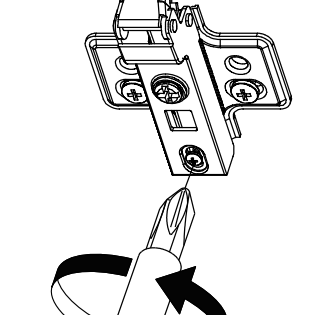
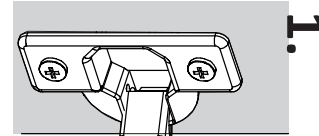
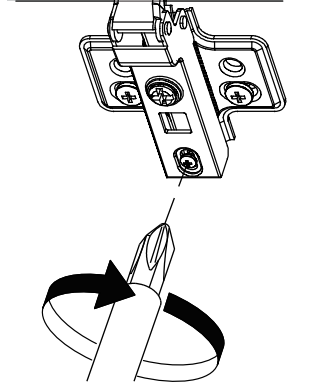
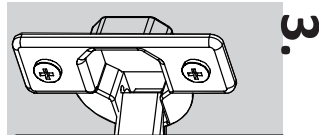
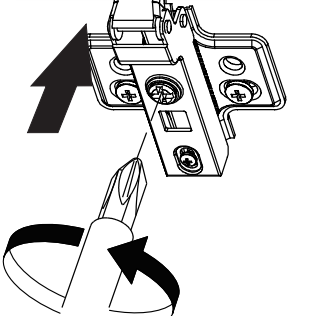
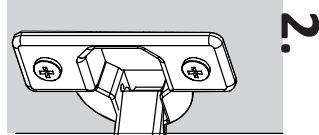
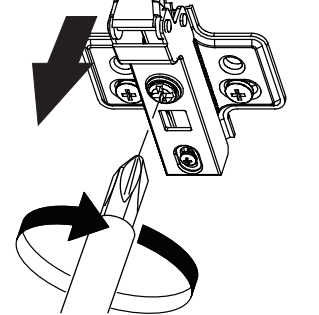
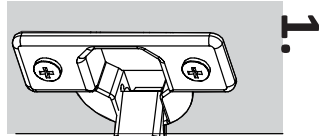
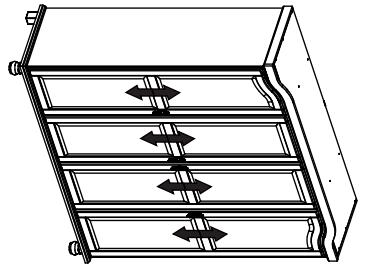
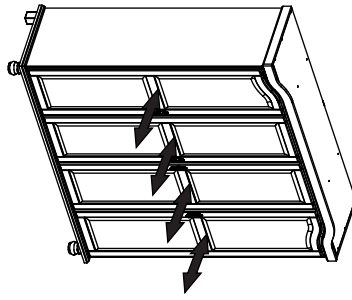
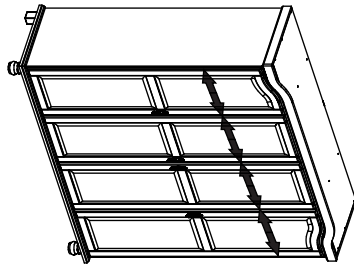


23)

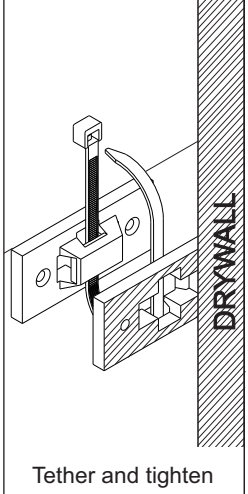
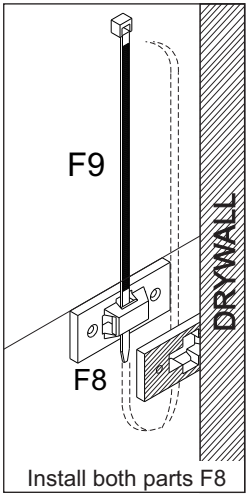
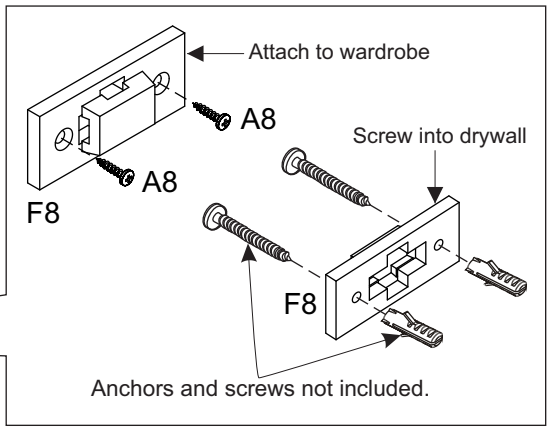
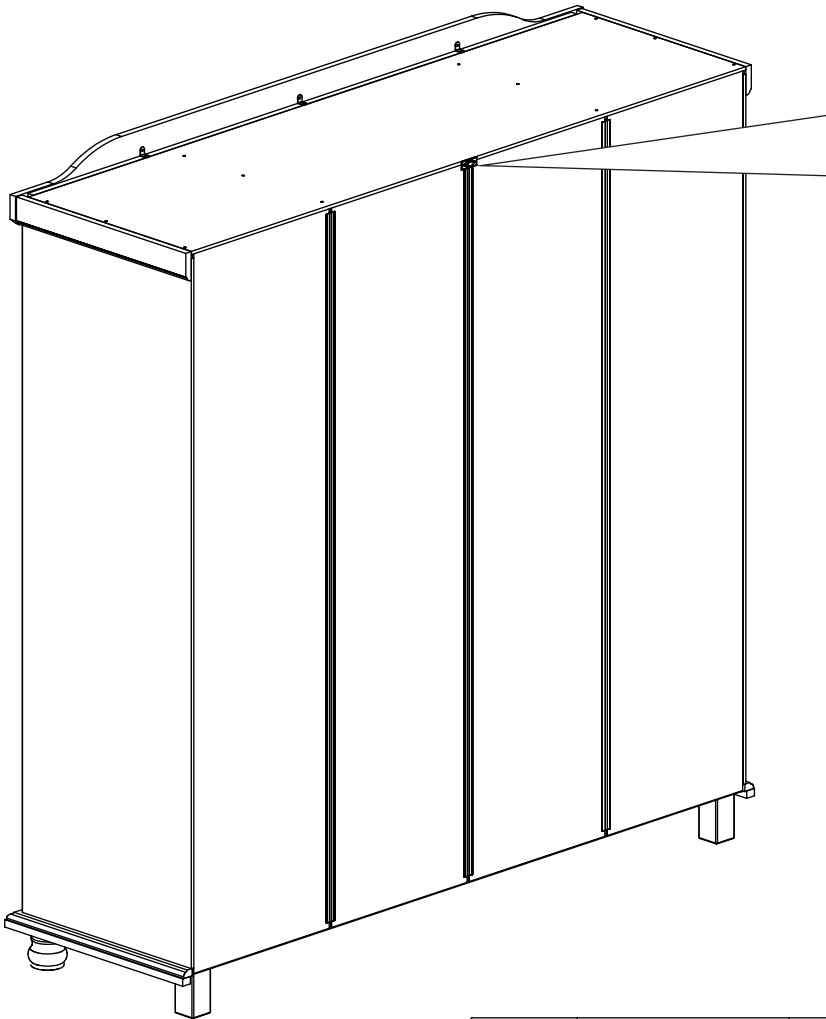
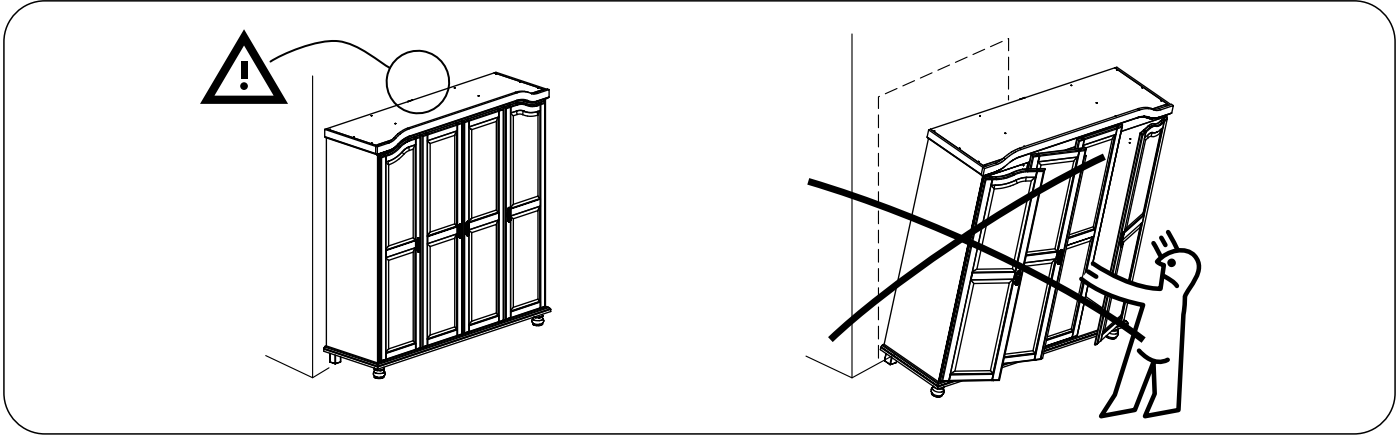



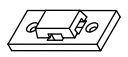

A7	 3.0x16	08
H18		04

# DOOR AND HINGE ADJUSTMENTS



# 25) FURNITURE TIPOVER PREVENTION KIT INSTALLATION



A8	 3.0x20	02
F8		02
F9		01