

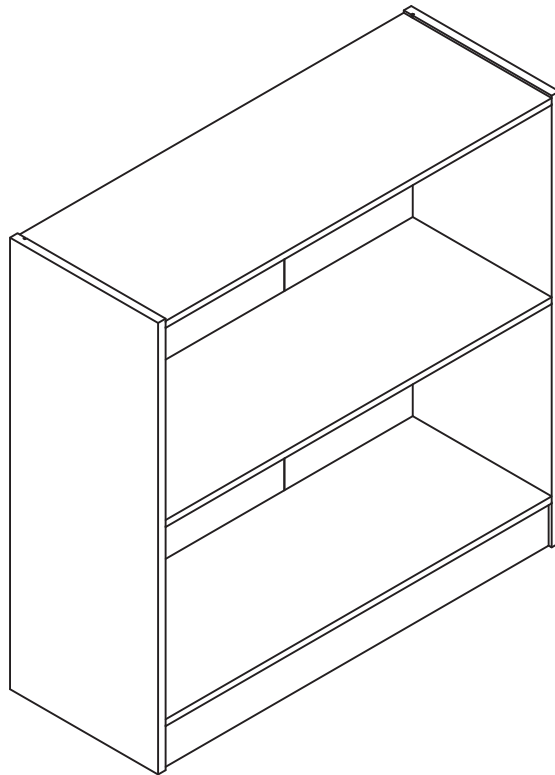
Assembly Instructions



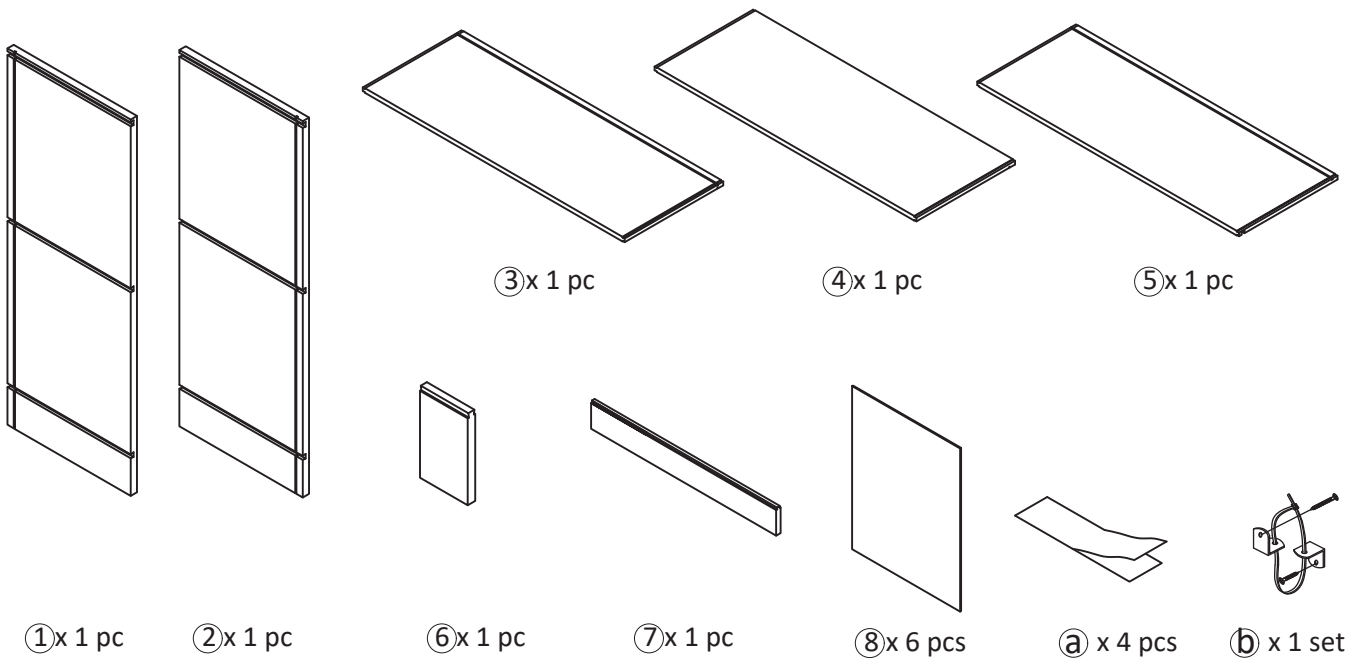
SHOULD YOU HAVE ANY QUESTIONS REGARDING THE ASSEMBLY OR PARTS OF YOUR NEW ITEM, PLEASE DO NOT RETURN TO THE STORE, INSTEAD CALL US.

We offer patented furniture solutions to the consumer with simple assembly & innovative features. Our products are changing the landscape of affordable storage furniture and breaking barriers for consumer reception of RTA/KD items. It is made in state of the art manufacturing facilities by engineering teams that are both creative and precise. Our items are affordable and accessible to all customers regardless of assembly acumen or income level

ASSEMBLY INSTRUCTIONS



COMPLETED ASSEMBLY



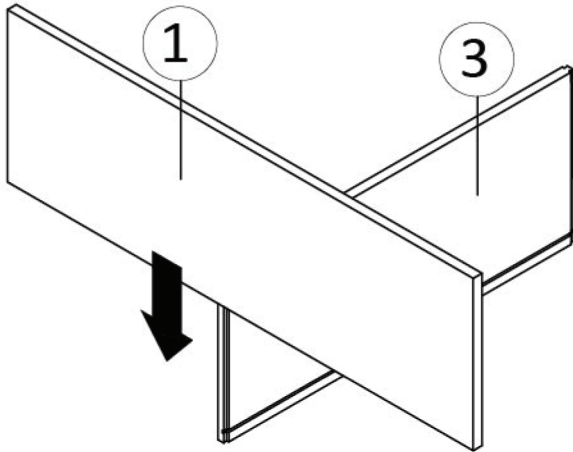
Note: There is no hardware included with this 3 Tier Bookcase, it simply slides together

CLEANING INSTRUCTIONS

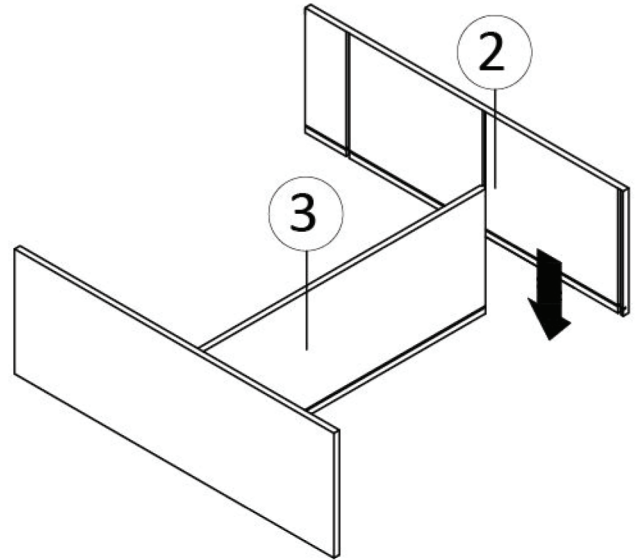
After assembly, clean and wipe with a damp cloth. Be sure to dry this paper veneer product after wiping. Never let water accumulate on the surface. Never let the unit sit in water or a moist environment.

ASSEMBLY INSTRUCTIONS

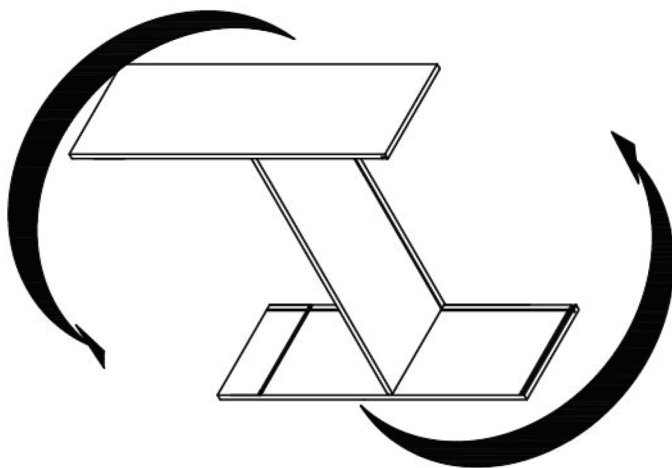
- 1** Place panel 3 on the floor as shown. Align the center groove on panel 1 with the dovetail on panel 3 and gently slide panel 1 down into place



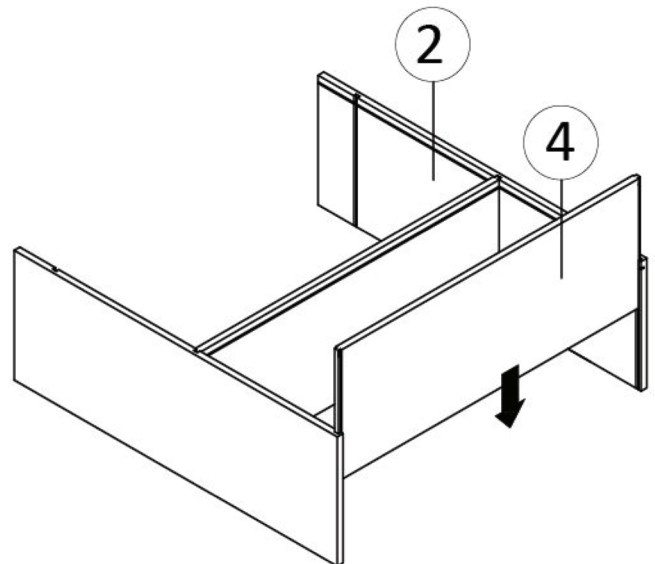
- 2** Repeat with panel 2



- 3** Carefully rotate all 3 panels 180° degrees, turning the unit over before the next step, the back panel grooves should now be away from the floor.



- 4** Align the dovetails on the top panel 4 with the grooves on panels 1 and 2, then gently slide it into place. The grooves for the back panels should all align on panels, 1,2,3 and 4 for back panel insertion later



Note: There is no hardware included with this 3 Tier Bookcase, it simply slides together

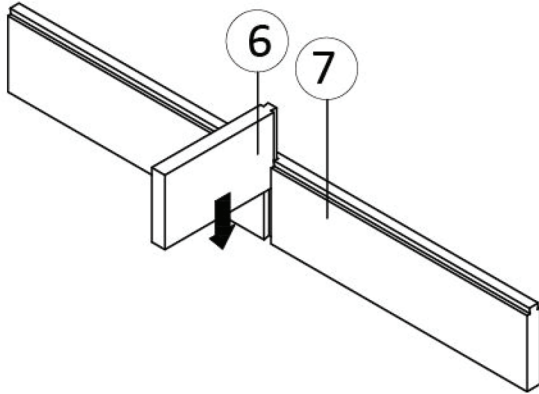
CLEANING INSTRUCTIONS

After assembly, clean and wipe with a damp cloth. Be sure to dry this paper veneer product after wiping. Never let water accumulate on the surface. Never let the unit sit in water or a moist environment.

ASSEMBLY INSTRUCTIONS

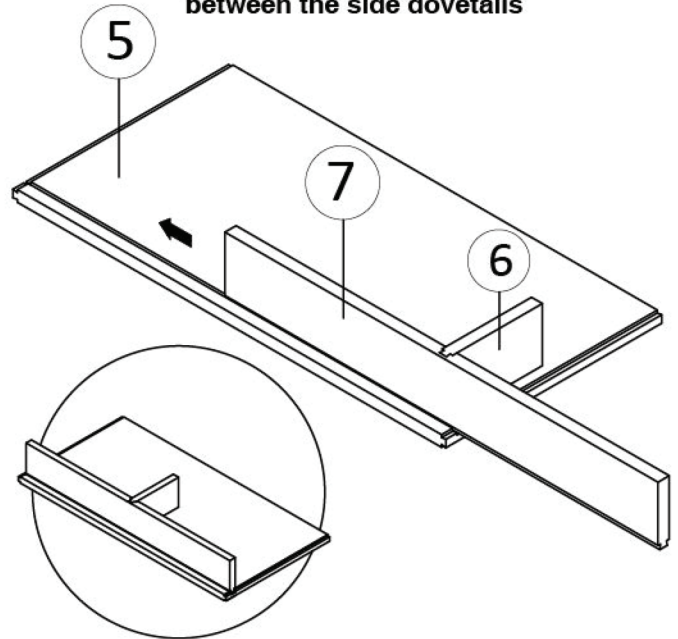
5

Footboard Assembly



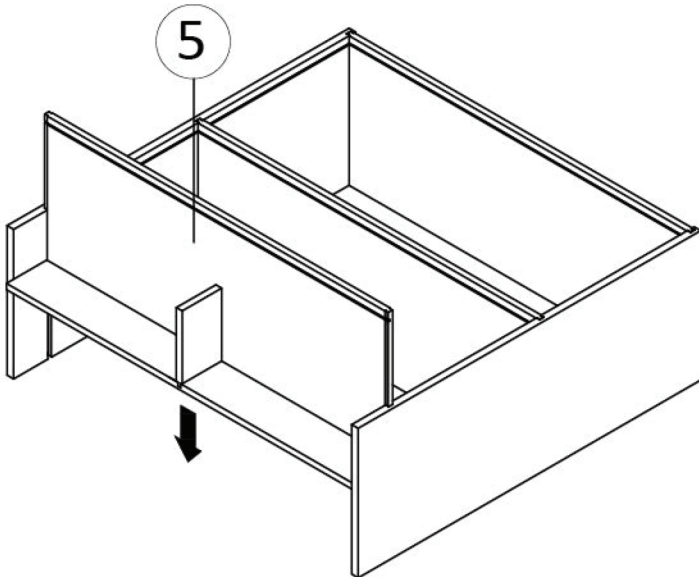
6

Align the dovetail on panel 7 with the groove on bottom panel 5 and carefully slide it all the way across centering it exactly on panel 5 between the side dovetails



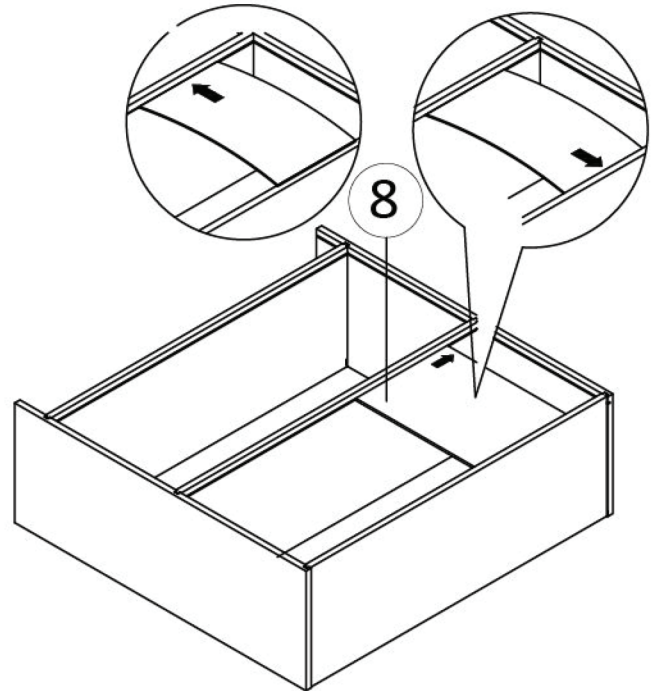
7

Align the dovetails on panel 5 with the grooves on panels 1 and 2, then slide this panel with the footboard attached into place



8

Using the identical back panel inserts 8, bend slightly and insert top and bottom, then push the panel firmly to one side making sure it fully inserts into the groove on the side panel



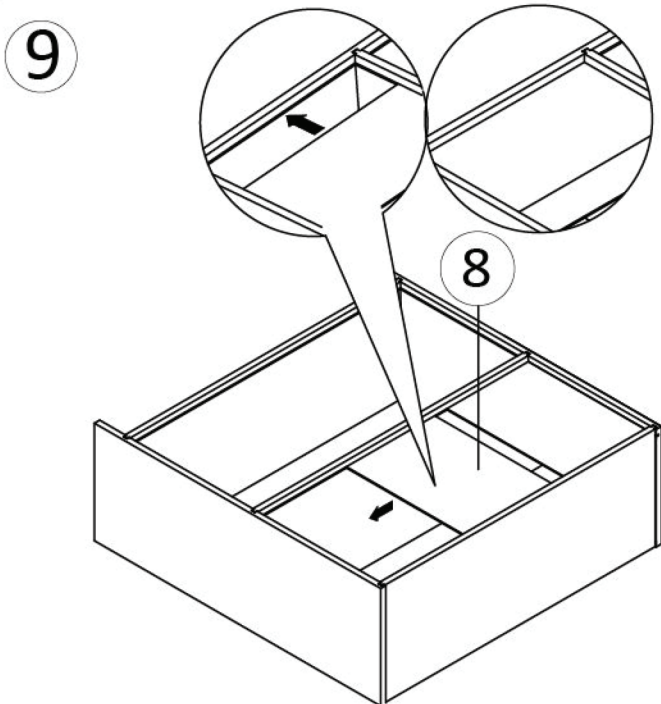
The grooves for the back panels should all align on panels 1,2,3,4 and 5

Note: There is no hardware included with this 3 Tier Bookcase, it simply slides together

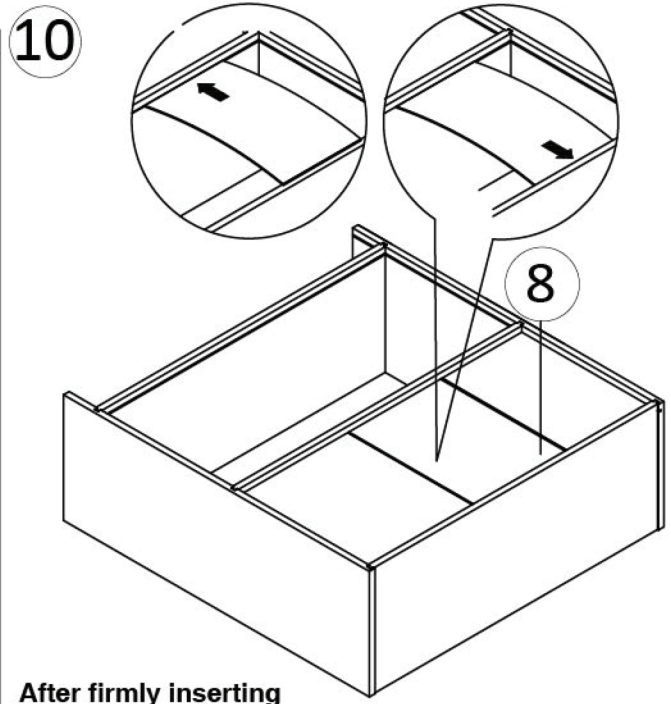
CLEANING INSTRUCTIONS

After assembly, clean and wipe with a damp cloth. Be sure to dry this paper veneer product after wiping. Never let water accumulate on the surface. Never let the unit sit in water or a moist environment.

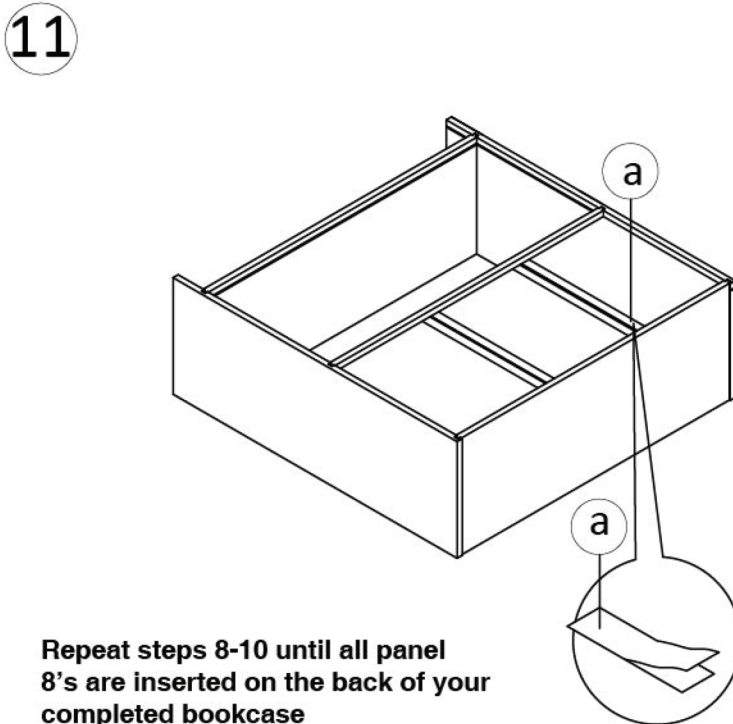
ASSEMBLY INSTRUCTIONS



Insert a second panel 8 and push it firmly to the opposite side making sure it inserts itself completely into the groove on the side panel



After firmly inserting both left and right panel 8's, a center panel 8 should fit snugly but evenly in the middle of the other two with no overlap



Once all 3 panel 8's have been inserted and fit evenly as a back panel, remove the backing from the pre-cut tape pieces and carefully cover the joints between the panels.

Repeat steps 8-10 until all panel 8's are inserted on the back of your completed bookcase

Note: There is no hardware included with this 3 Tier Bookcase, it simply slides together

CLEANING INSTRUCTIONS

After assembly, clean and wipe with a damp cloth. Be sure to dry this paper veneer product after wiping. Never let water accumulate on the surface. Never let the unit sit in water or a moist environment.