

DLEX9900S/ DLEX9900B DLGX9901S/ DLEX9901B

LG SIGNATURE

LG Signature 9.0 cu ft. Mega Capacity Smart Front Load Dryer

KEY FEATURES

9.0 cu.ft. Capacity
Full Touch LCD Screen
AI Sensor Dry
25 Drying Programs
TurboSteam®



LG ThinQ®



PRODUCT FEATURES

SUMMARY		DRYER DETAILS		POWER SOURCE	
Capacity (cu.ft.)	9.0 cu.ft.	No. of Temps	5	Ratings	CSA Listed
Matching Washer	WM9900HSA/ WM9901HBA		High, Med.High, Medium, Med. Low, Low	Electrical Requirements	240V 26 Amps (Electric) 120V, 13 Amps (Gas)
Color	Brushed Platinum Steel Brushed Black Steel	Manual Dry Times	10-100 min. (each 5min), Dry Time	Type	Electric / Gas
ENERGY		FABRIC CARE FEATURES		BTU Rating	Electric: N/A, Gas: 20,000
ENERGY STAR® Certified	Yes	AI Sensor Dry	Yes	OPTIONS / ACCESSORIES	
CEF	Electric: 3.94 Gas: 3.49	Sensor Dry	Yes	LP Conversion Kit	383EEL3002D // LPK1
APPEARANCE		Precise Temperature Control with Variable Heater	Yes	Side Venting Kit	383EEL9001L
Control & Display	Full Touch LCD Screen	Steam	TurboSteam®	Drying Rack	AHB73109002
Touch Buttons	Yes	CONVENIENCE FEATURES		Pedestal	WDP8S, WDP8B 29 x 13 5/8" x 29 1/2" (45 9/16" D with door open)
DRYER PROGRAM		3 Minute Installation Check	Yes	Pedestal (WxHxD)	
	25	End of Cycle Signal	Yes	DIMENSIONS	
	Normal, AI Dry, Bedding, Delicates, Towels, Quick Dry, Timed Dry, Antibacterial, Perm. Press, SteamFresh™, Heavy Duty, Air Dry, SteamSanitary™, Super Dry, Activewear, Jeans, Blanket Refresh, Low Temp Dry, Easy Ironing, Small Load, Large Load, XL Load, Anti-Wrinkle, Overnight Dry, Rack Dry	Drum Light (door open)	Yes	Product (WxHxD)	29" x 40 7/8" x 31 1/2"
Number of Programs		Reversible Door	Yes	Depth with Door Open	53 3/8"
		FlowSense® Duct Clogging Indicator	Yes	Carton (WxHxD)	30 15/16" x 44 11/16" x 33 3/16"
		Wrinkle Care Option	Yes	Weight (Product/Carton)	145.3 / 157 lbs.
		Control Lock	Yes	LIMITED WARRANTY	
		Venting Option	Electric: 4 Ways Venting Gas: 3 Ways Venting	Parts and Labor	1 Year
		Leveling Legs	4 Adjustable Legs	Drum	3 Years
		Remaining Time Display/ Status Indicator(s)	Yes	UPC CODE	
DRYER OPTIONS		THING® TECHNOLOGY		DLEX9900S	195174071410
	15	Smart Diagnosis (v3.0)	Yes	DLGX9901S	195174071427
	Wi-Fi, Remote Start, Drum Light, Control Lock, Cycle List Edit, Signal, Brightness, Cycle Optimization, Smart Diagnosis, Factory Reset, TurboSteam®, Wrinkle Care, Damp Signal, Energy Saver, Low Static	Wi-Fi	Yes	DLEX9900B	195174119808
Number of Options		ThinQ Care (Remote Start/Cycle Monitor)	Yes	DLGX9901B	195174120446
		Energy Monitoring	Yes (WiFi)	MATERIALS AND FINISHES	
		MATERIALS AND FINISHES		NeveRust® Stainless Steel Drum	Yes
		Cabinet	VCM	Cabinet	VCM
		Door	Tempered Glass Door	Door	Tempered Glass Door
		All Available Color	Brushed Platinum Steel Brushed Black Steel		

DLEX9900S / DLGX9901S DLEX9900B / DLGX9901B

LG SIGNATURE Front Load Dryer

QUICK INSTALL & CLEARANCES

For full installation directions/clearances please refer to the corresponding User Manual and Installation Guide.

DIMENSIONS

A Upper Ventilation Opening	≥ 48 sq. in. (310 cm ²)
B Lower Ventilation Opening	≥ 24 sq. in. (155 cm ²)
C Distance to Ventilation Opening	≥ 3"
D Overhead Cabinet Depth	≤ 14"
E Distance to the Overhead Cabinet/Shelf	≥ 18"
F Front Clearance	1"
G Depth	31 1/2"
H Back Clearance	≥ 5"
I Side Clearance	≥ 1"
J Width	29"
K Height of Cabinet Opening	40 7/8"
Carton Dimensions (in) (W x H x D)	30 15/16" x 44 11/16" x 33 3/16"

ENERGY

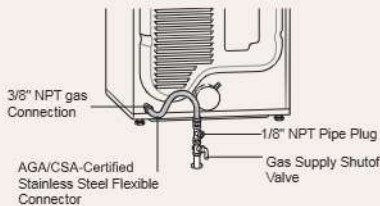
ENERGY STAR® Certified	Yes
CEF	3.94

POWER SOURCE

Ratings	CSA Listed
Electrical Requirements	240V 26 Amps (Electric) 120V, 13 Amps (Gas)

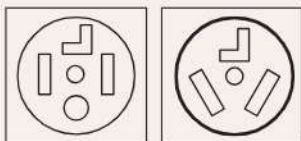
CONNECTING THE GAS SUPPLY

- Installation and service must be performed by a qualified installer, service agency, or the gas supplier.
- Use only a new stainless steel flexible connector and a new AGA-certified connector.
- A gas shutoff valve must be installed within 6 ft. (1.8 m) of the dryer.
- The dryer is configured for natural gas when shipped from the factory. Make sure that the dryer is equipped with the correct burner nozzle for the type of gas being used (natural gas or propane gas).
- If necessary, the correct nozzle (for the LP nozzle kit, order part number 383EEL3002D) should be installed by a qualified technician and the change should be noted on the dryer.
- All connections must be in accordance with local codes and regulations. Gas dryers MUST exhaust to the outdoors.

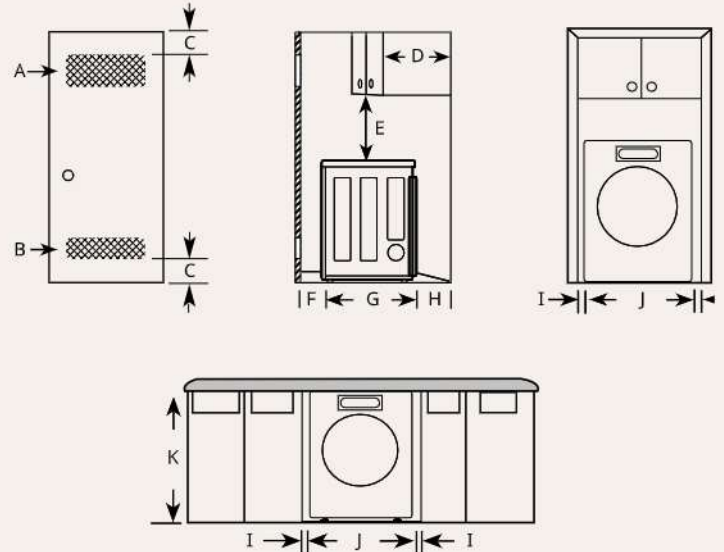


CONNECTING THE ELECTRIC SUPPLY

- A 4-wire connection is required for all mobile and manufactured home installations, as well as all new construction **after January 1, 1996**.
- A 3-wire connection is **NOT permitted** on new construction **after January 1, 1996**.
- A UL-listed strain relief is required.
- Use a 30-amp, 240-volt, 4-wire, UL-listed power cord with #10 AWG-minimum copper conductor and closed loop or forked terminals with upturned ends.



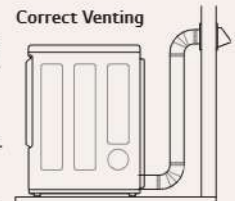
PRODUCT DIMENSIONS



VENTING THE DRYER

Follow the guidelines below to maximize drying performance and reduce lint buildup and condensation in the ductwork. Ductwork and fittings are NOT included and must be purchased separately.

- Use 4-inch (10.2 cm) diameter rigid, semi-rigid or flexible metal ductwork.
- The exhaust duct run should be as short as possible.
- Use as few elbow joints as possible.
- The male end of each section of exhaust duct must point away from the dryer.
- Use duct tape on all duct joints.
- Insulate ductwork that runs through unheated areas in order to reduce condensation and lint buildup on duct surfaces.
- Incorrect or inadequate exhaust systems are not covered by the dryer warranty. Dryer failures or service required because of such exhaust systems will not be covered by the dryer warranty.



- Ductwork is not provided with the dryer. You should obtain the necessary ductwork locally. The vent hood should have hinged dampers to prevent backdraft when the dryer is not in use.
- The total length of flexible metal duct must not exceed 8 ft. (2.4 m).
- Deduct 6 ft. (1.8 m) for each additional elbow. Do not use more than four 90° elbows.

Wall Cap Type	Number of 90° Elbows	Maximum length of 4-inch diameter rigid metal duct	
Recommended	0	65 ft. (19.8 m)	
	1	55 ft. (16.8 m)	
	2	47 ft. (14.3 m)	
	3	36 ft. (11.0 m)	
a: 4" (10.2 cm)	4	28 ft. (8.5 m)	
	Use only for short run installations	0	55 ft. (16.8 m)
		1	47 ft. (14.3 m)
		2	41 ft. (12.5 m)
3		30 ft. (9.1 m)	
b: 2.5" (6.35 cm)	4	22 ft. (6.7 m)	