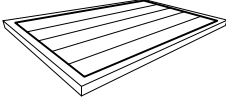
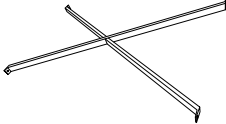







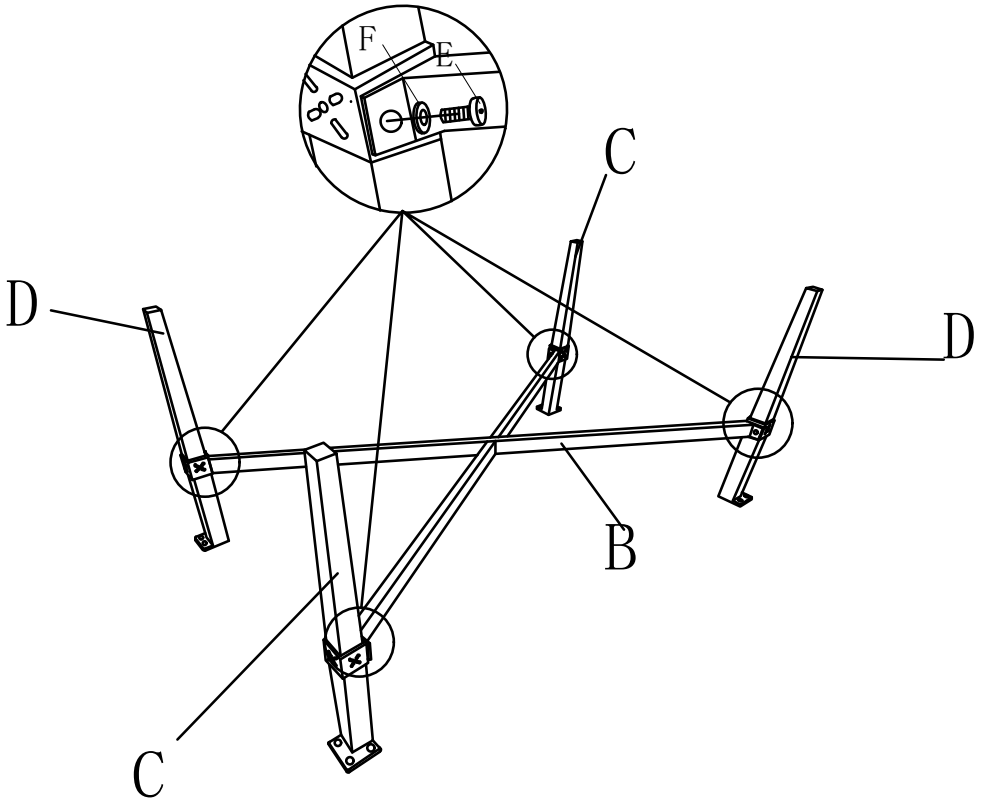
Assembly Instructions

Please read this before you proceed

A	 A rectangular table top with a ribbed surface and a double-layered edge.	table top	1PC
B	 Two long, thin support tubes crossed at their centers.	support tube	1PC
C	 A long, tapered leg with a small rectangular notch at the bottom end.	leg1	2PCS
D	 A long, tapered leg with a small rectangular notch at the bottom end, identical to leg 1.	leg2	2PCS
E	 A screw with a hexagonal head and a threaded shaft.	screw	16PCS
F	 A flat, circular washer with a central hole.	washer	16PCS
G	 An L-shaped allen wrench.	allen wrench	1PC

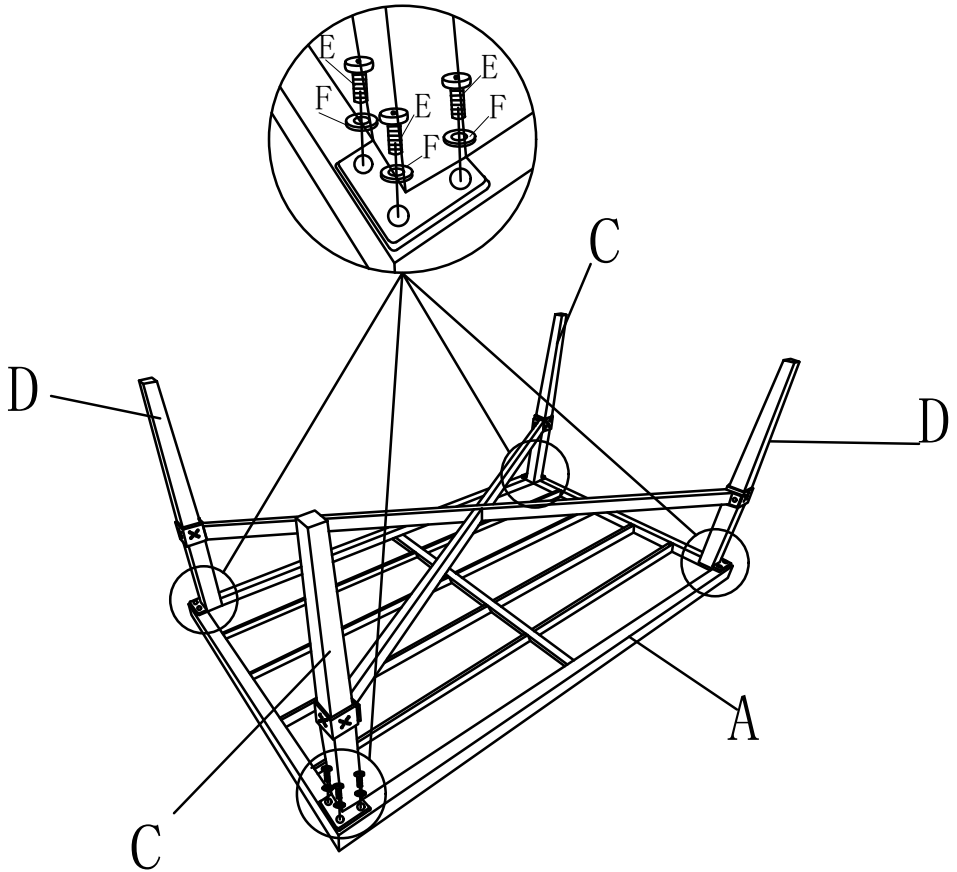
Assembly Instructions

- 1 Don't fasten tight, keep all bolts loose.



Assembly Instructions

- ② Finally, fasten all bolts tight.



Assembly Instructions

3

