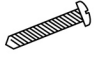

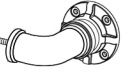
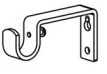



1" DRAPERY ROD INSTALLATION INSTRUCTIONS - 72-144" ROD SET

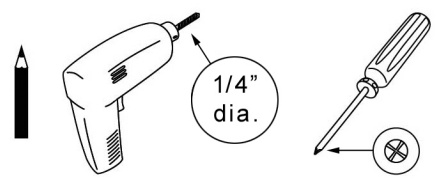
Care Instructions: Clean with a soft cloth. Do not use abrasive cleaning agents, solvents or polishes.

SET INCLUDES:

(A)	(B)	(C)	(D)	(E)
				
X10	X10	X2	X1	X1

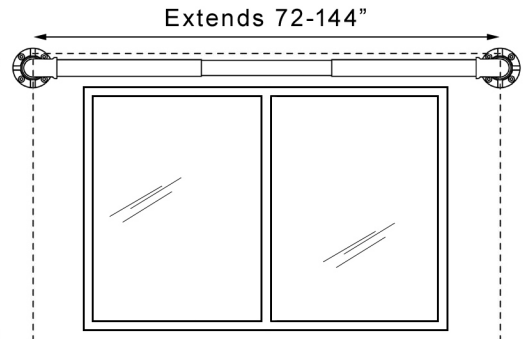
Extends 72-144"

YOU WILL NEED:



1/4" dia.

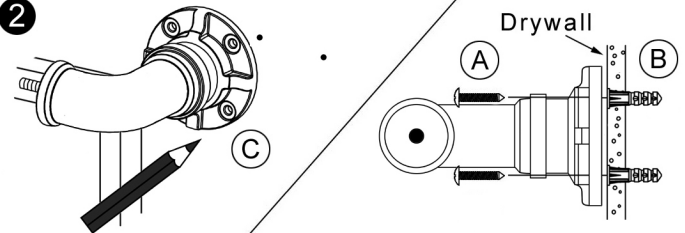
1



Extends 72-144"


Before installation, measure windows to determine appropriate drapery rod length.

2



Use bracket (C) or drilling template (see reverse) as a guide to mark location for mounting screws (A). Drill pilot holes with 1/4" drill bit (not included). Insert wall anchors (B) and attach bracket (C) using mounting screws (A). Wall anchors may not be necessary if drilling into studs.

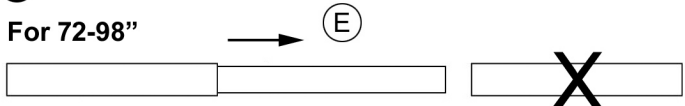
3



Repeat step 2 for additional bracket. Use level if necessary.


4

For 72-98"



Use 2 rod sections (1 larger diam. and 1 smaller diam.).

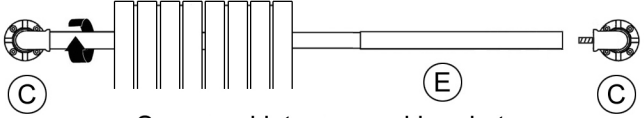
For 99-144"



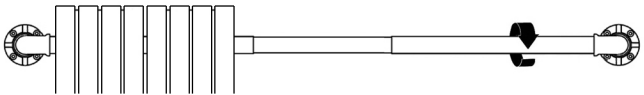
Use 3 rod sections. Extend the smaller diam. rod that is nestled in the larger diam. rod. Then insert the smaller diam. rod into the second larger diam. rod.

5

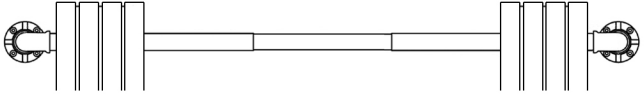
Place drapery panels (not included) onto drapery rod and extend to desired length.



Screw rod into one end bracket.

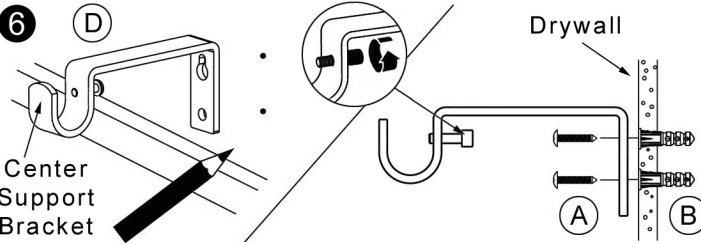


Gather drapery panels to this end. Extend rod to desired length and screw into other end bracket.



Separate panels to each end of rod.

6



Use bracket (D) as a guide to mark location for mounting screws (A). Drill pilot holes into wall with 1/4" drill bit (not included). Insert wall anchors (B) and attach bracket (D) using mounting screws (A). Wall anchors may not be necessary if drilling into studs. Tighten set screw to secure rod in place.