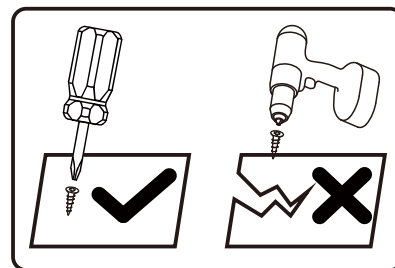
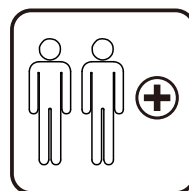
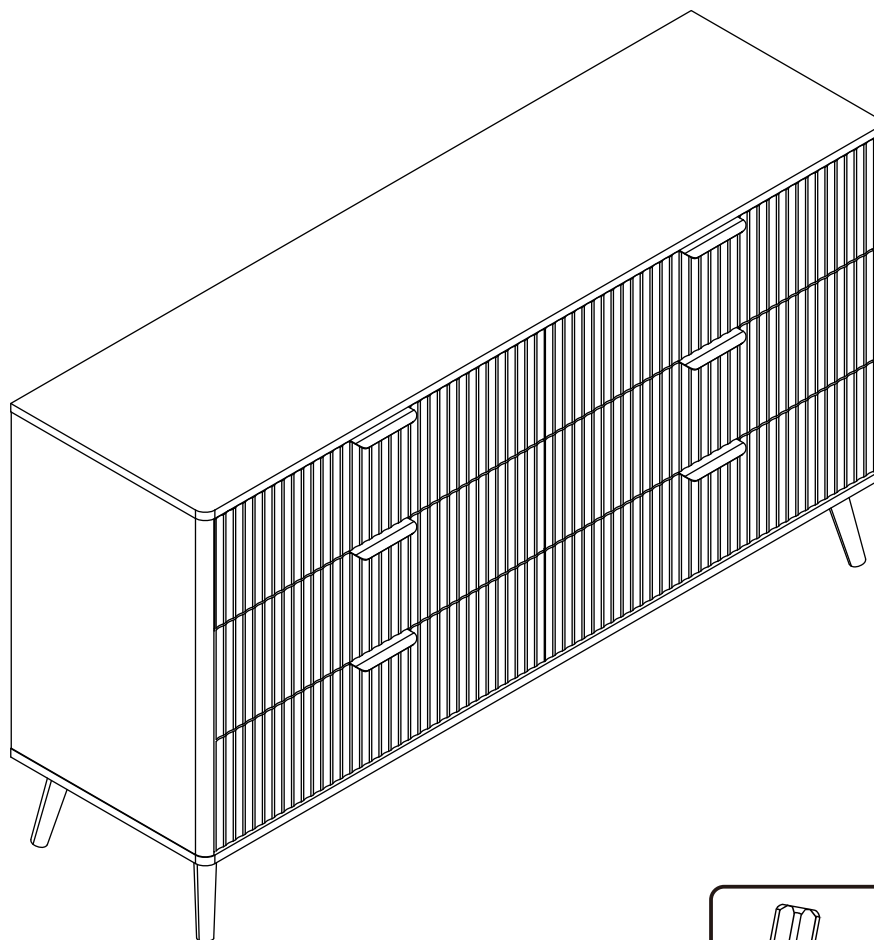


ASSEMBLY INSTRUCTIONS



Tools Recommended

THIS INSTRUCTIONS CONTAINS IMPORTANT SAFETY INFORMATION.
PLEASE READ BEFORE ASSEMBLY AND KEEP FOR FUTURE REFERENCE.

Need Parts or Assistance?

IMPORTANT NOTICE

- This product contains small components, please ensure that they are kept away from small children.
- THIS INSTRUCTIONS CONTAINS IMPORTANT SAFETY INFORMATION. PLEASE READ BEFORE ASSEMBLY AND KEEP FOR FUTURE REFERENCE.
- Read each step carefully. It is very important that each step of instruction is performed in the correct order. If these steps are not followed in sequence, assembly difficulties will occur.
- Make sure all parts are included. Most parts are labelled or stamped on the raw edge.
- Work in spacious area, preferably on a carpet, near the place the unit will be used.
- Do not use power tools to assemble your furniture. Power tools may strip or damage the parts.
- Move your new furniture carefully, with two people lift and carry the unit to it's new location.
- Never push, drag or pull your furniture (especially on carpet)






PLEASE DO NOT RETURN PRODUCT TO US IMMEDIATELY

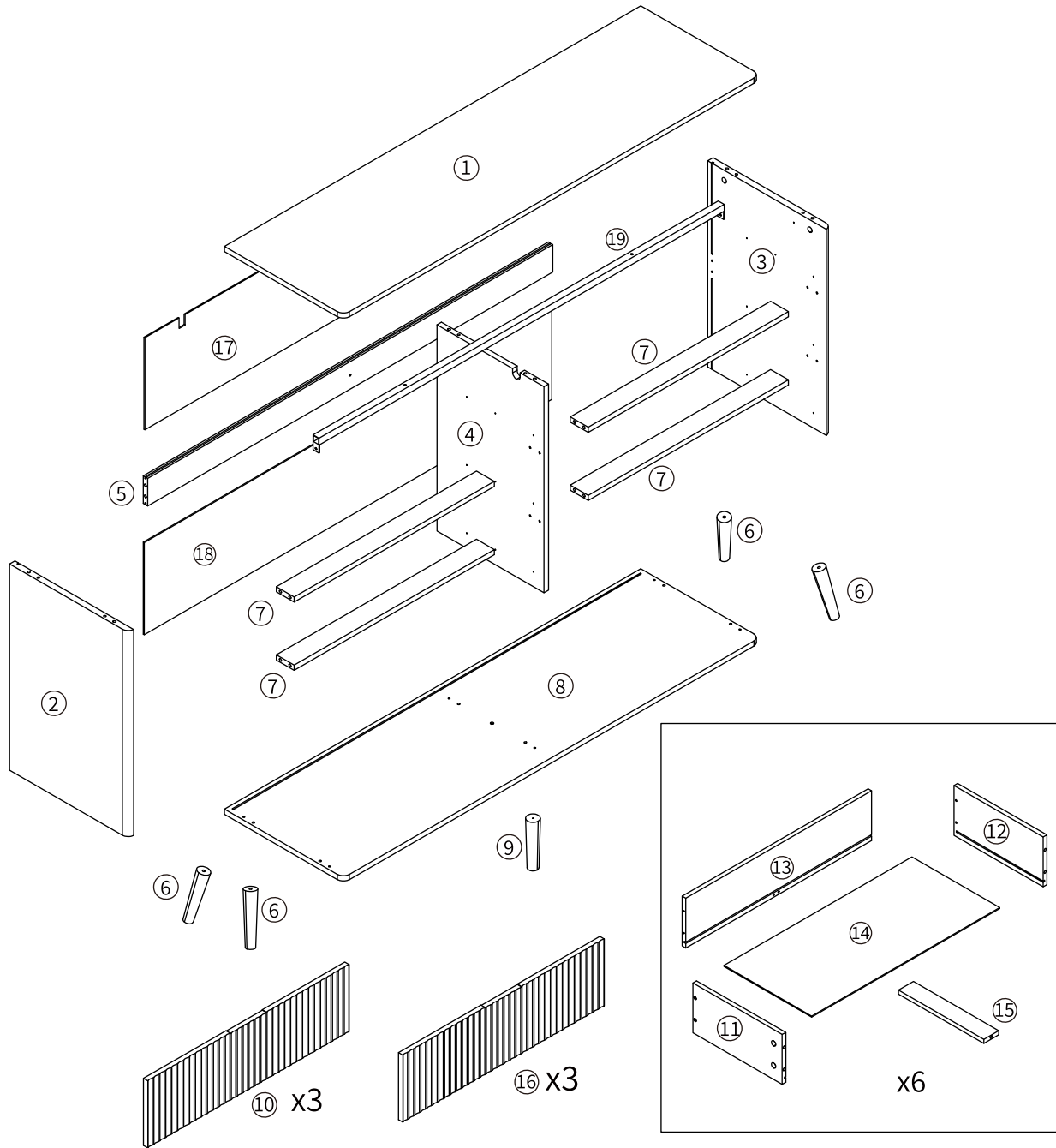
If a part is missing or damaged, email our customer service. We will gladly ship your replacement parts FREE of charge.











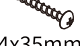





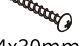





Need Parts or Assistance?

For Prompt, reliable service, please have your assemble instruction ready

 WARNING	
	Children have died from furniture tipover. To reduce the risk of furniture tipover: <ul style="list-style-type: none">- ALWAYS install Anti-tip device provided.- NEVER put a TV on this product.- NEVER allow children to stand, climb or hang on any drawers, doors, or shelves.- NEVER open more than one drawer at a time.- Place heaviest items in the lowest drawers.
	<p><i>This is a permanent label. Do not remove!</i></p>

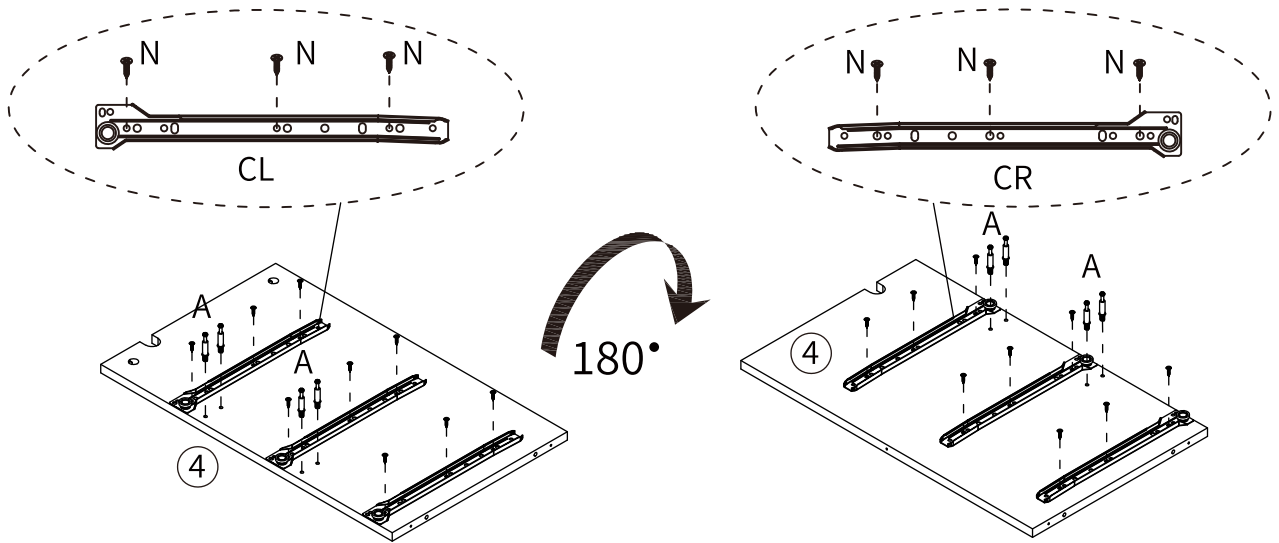
The installation direction should be aligned with the instructions to prevent plate breakage caused by product tipping during installation.







A x56  6x35mm	B x56  6x30mm	C x12  4x40mm	D x8  4x35mm	E x6  3x12mm	F x12  3x14mm	G x16  3x14mm
H x16 	I x2 	J x24  4x14mm	K x2  4x30mm	L x2 	M x36  4x30mm	N x72  3.5x12mm
O x4 	P x1 	R x2  4x30mm	S x4 	CL x6 	CR x6 	DL x6 
DR x6 						

Step 1

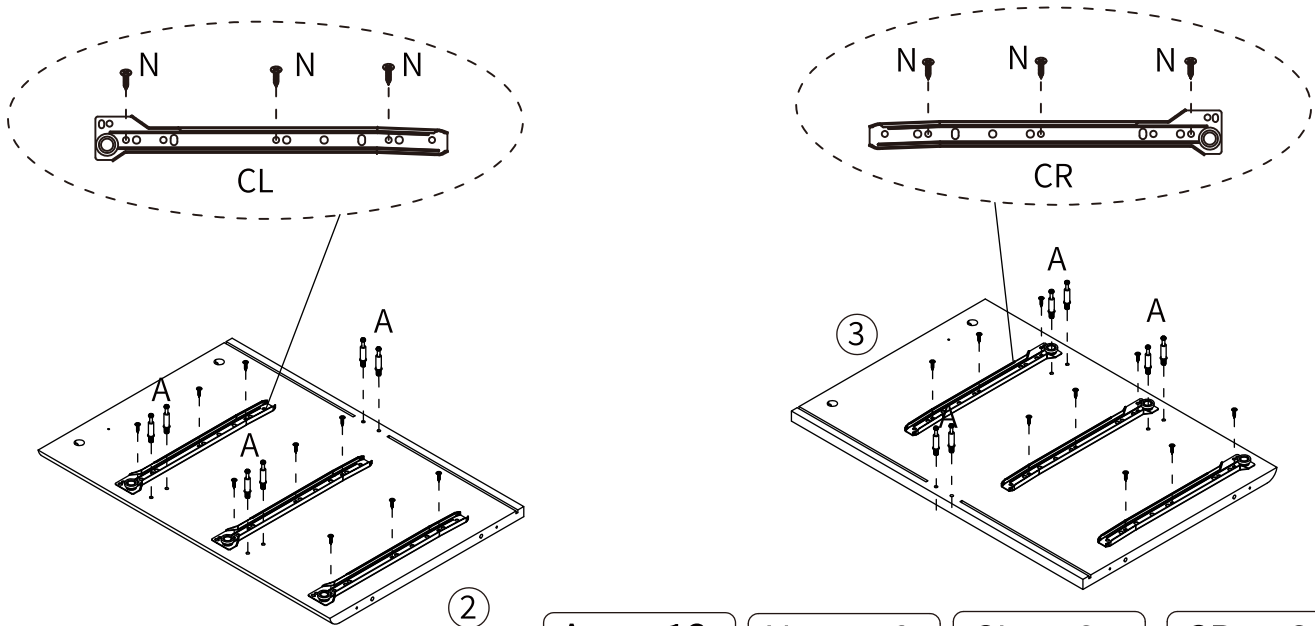
Firstly lock the guide rail (CL) to the left side of the part ④ with screw (N), then turn it in 180 degrees and lock the guide rail (CR) to the right side of part ④. Insert the screw (A) on the right and left of part ④, the installation position is as shown.

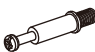





A x8	N x18	CL x3	CR x3
			

Step 2

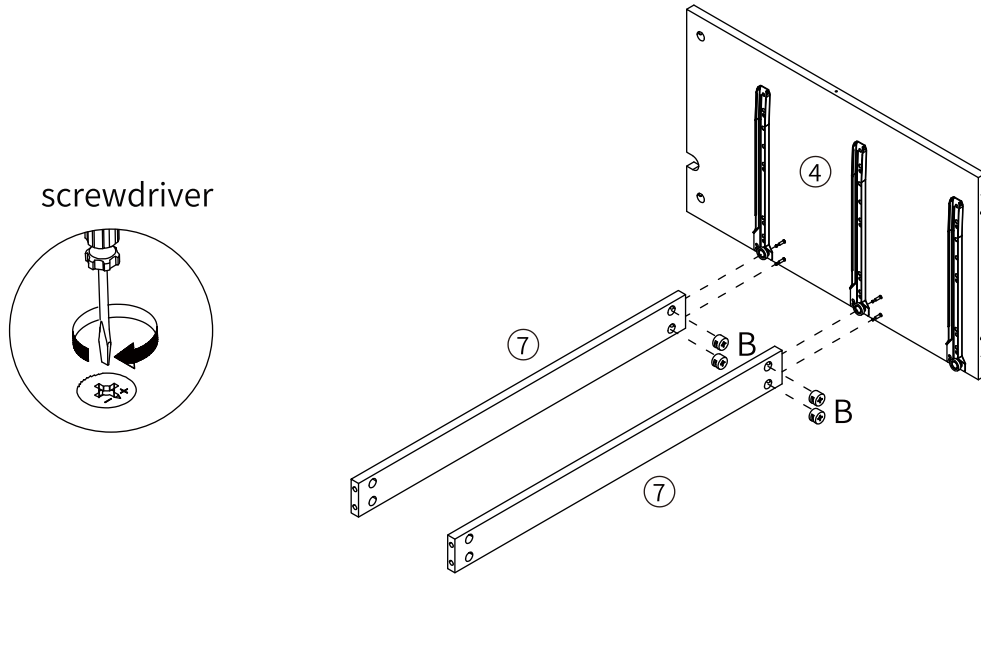
Lock the guide rail (CL) to the part ② with screw (N) and lock the guide rail (CR) to the part ③ with screw (N). Insert screw (A) into corresponding holes on part ② & ③, the installation position is as shown.



A x12	N x18	CL x3	CR x3
			

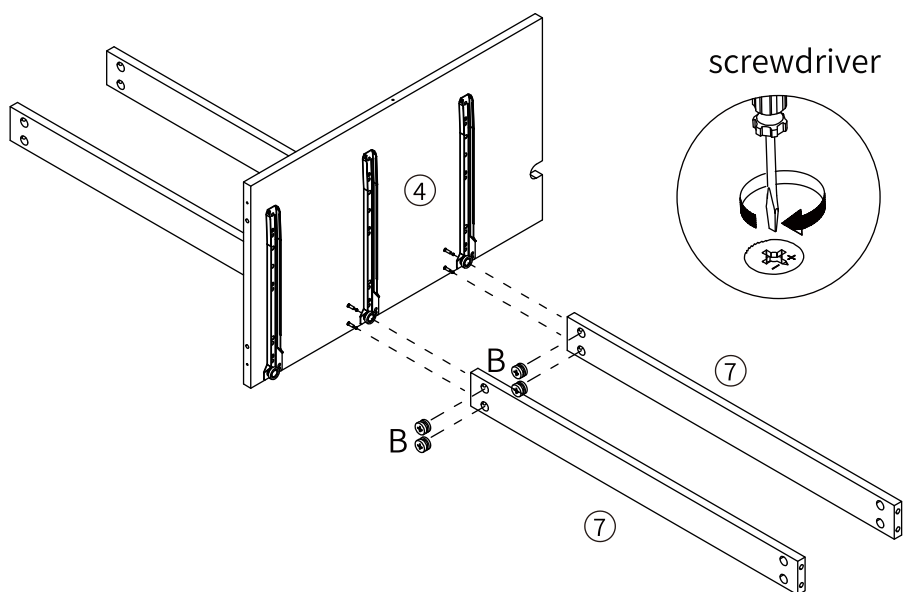
Step 3

Connect part ⑦(X2) to the right of part ④ with cam lock (B), insert cam lock (B) into the corresponding holes on part ⑦ (X2) and use a screwdriver to turn it clockwise to tighten, the installation position is as shown.



Step 4

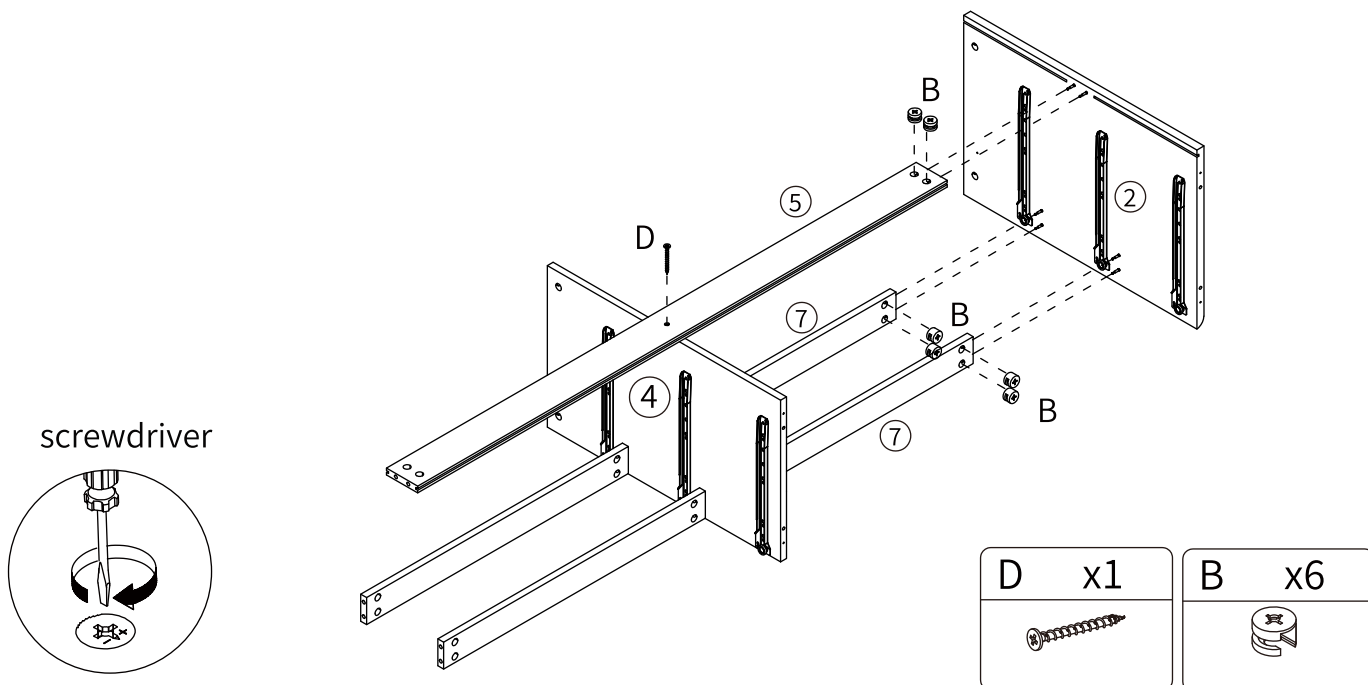
Connect part ⑦(X2) to the left of part ④ with cam lock (B), insert cam lock (B) into the corresponding holes on part ⑦(X2) and use a screwdriver to turn it clockwise to tighten, the installation position is as shown.



The installation direction should be aligned with the instructions to prevent plate breakage caused by product tipping during installation.

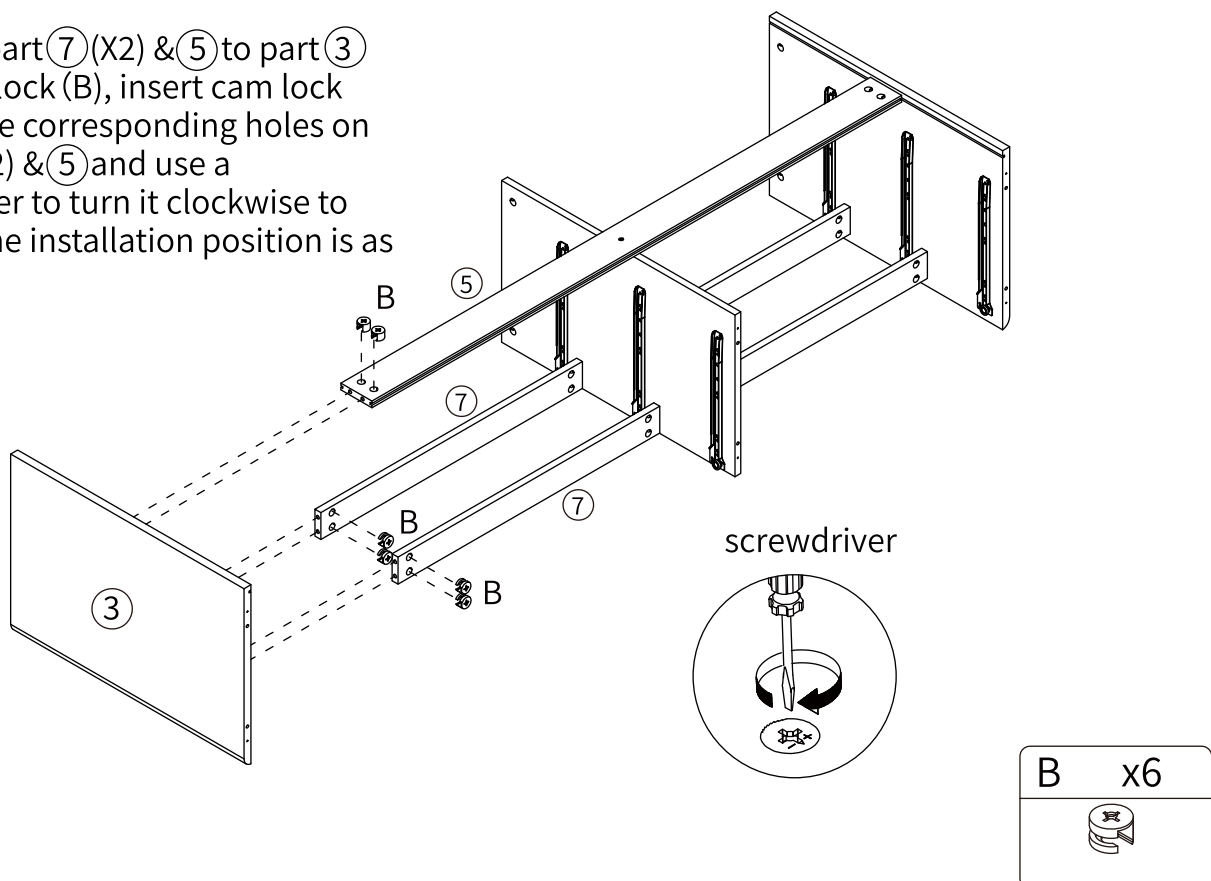
Step 5

Connect part ⑤ to part ④ with screw (D), connect part ⑦(X2) & ⑤ to part ② with cam lock (B), insert cam lock (B) into the corresponding holes on part ⑦(X2) & ⑤ and use a screwdriver to turn it clockwise to tighten, the installation position is as shown.



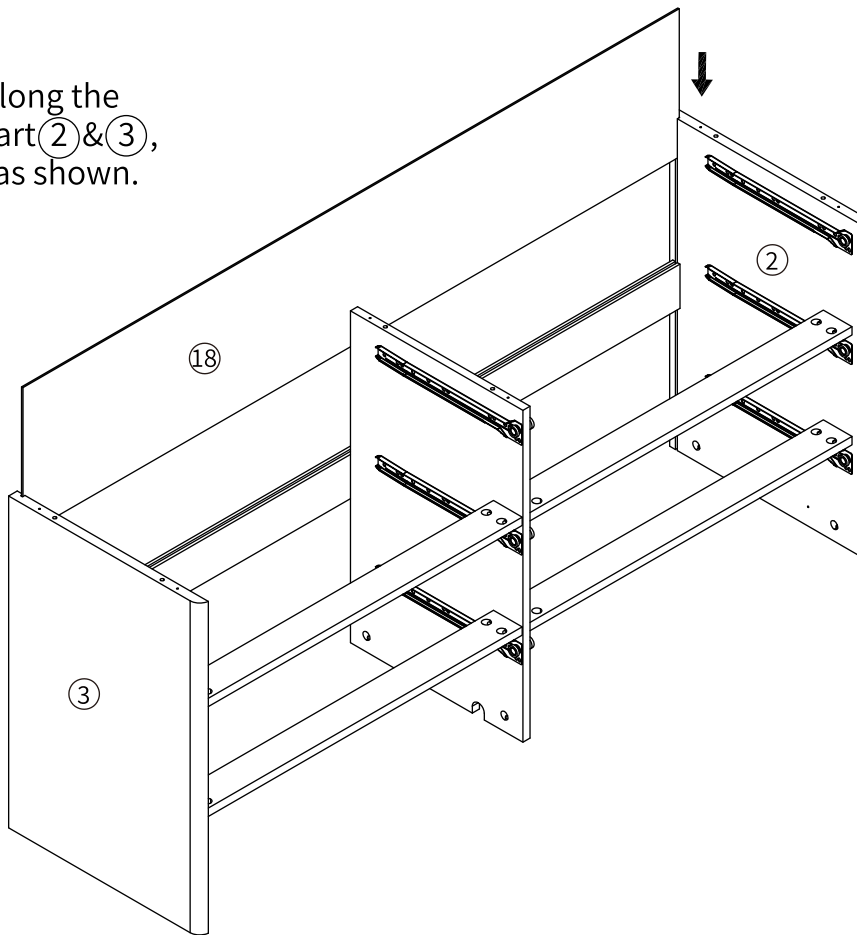
Step 6

Connect part ⑦(X2) & ⑤ to part ③ with cam lock (B), insert cam lock (B) into the corresponding holes on part ⑦(X2) & ⑤ and use a screwdriver to turn it clockwise to tighten, the installation position is as shown.



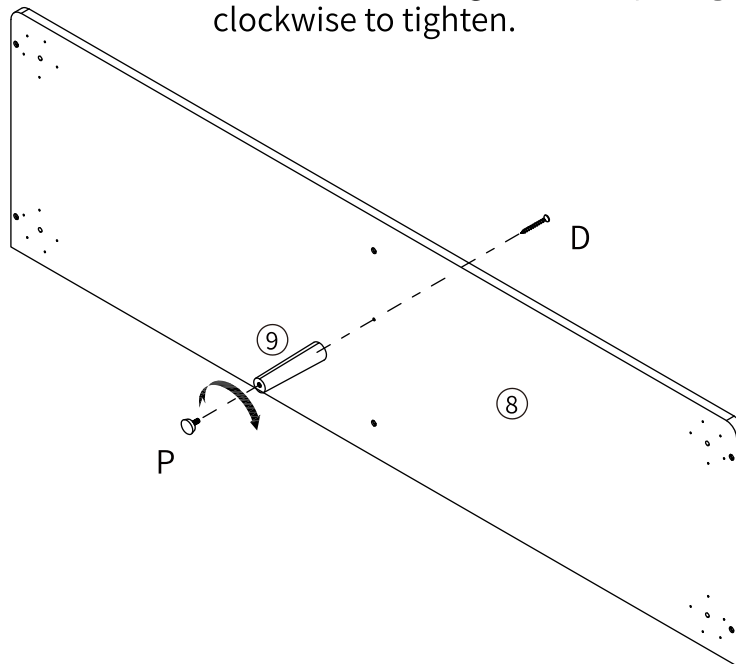
Step 7



Insert part ⑱ along the slot between part ② & ③, the position is as shown.



Step 8

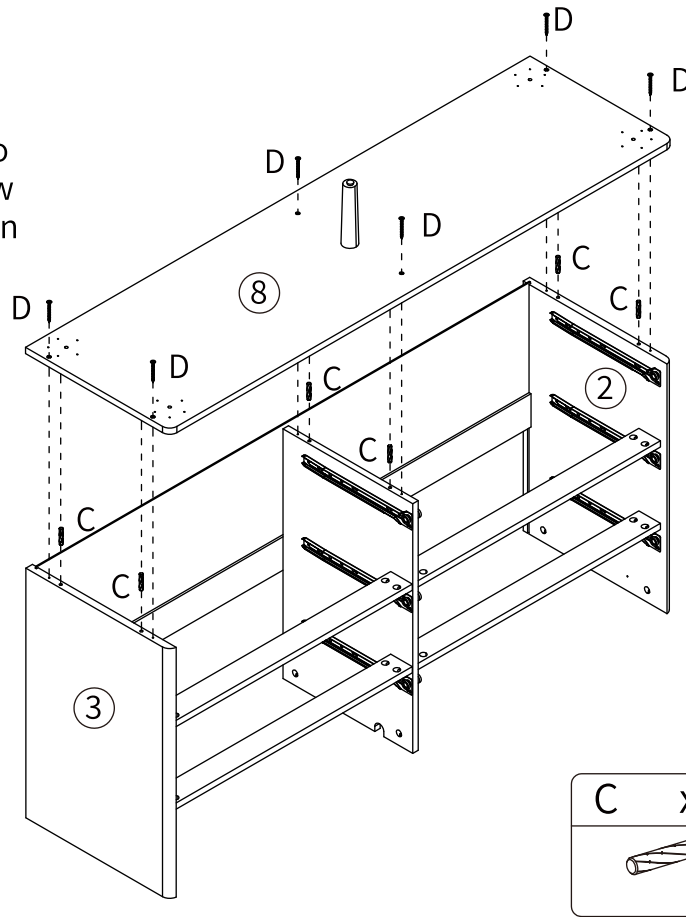
Connect part ⑨ to part ⑧ with screw (D), connect tack glide (P) to part ⑨ in clockwise to tighten.



P	x1	D	x1
			

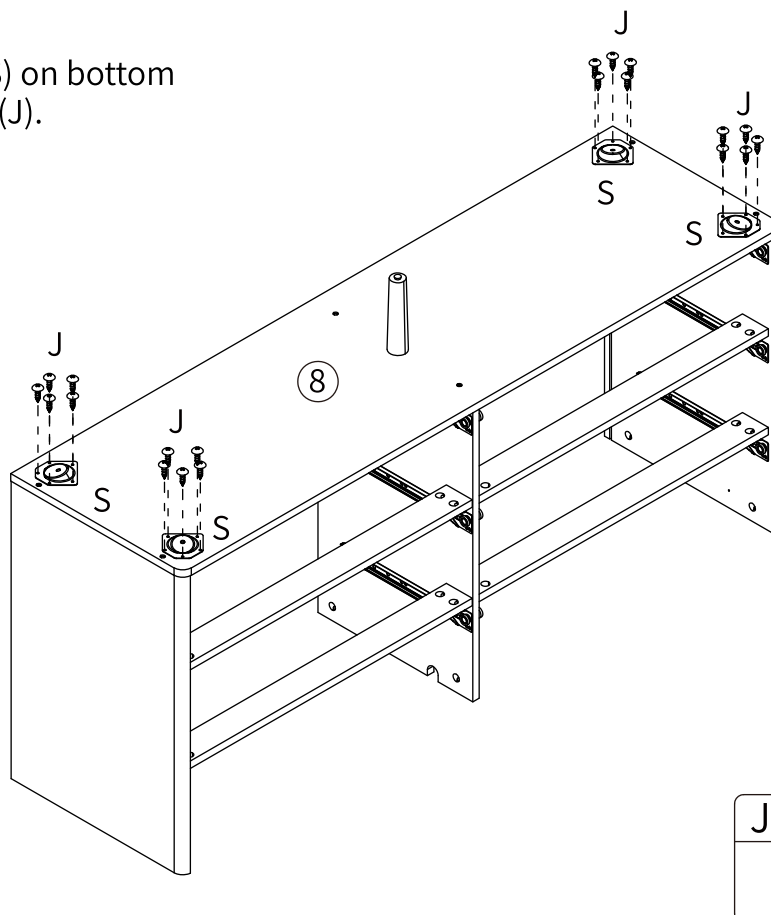
Step 9

Firstly insert the dowel (C) on part ②&③&④, then connect part ②&③&④ to bottom panel ⑧ with screw (D), the installation position is as shown.



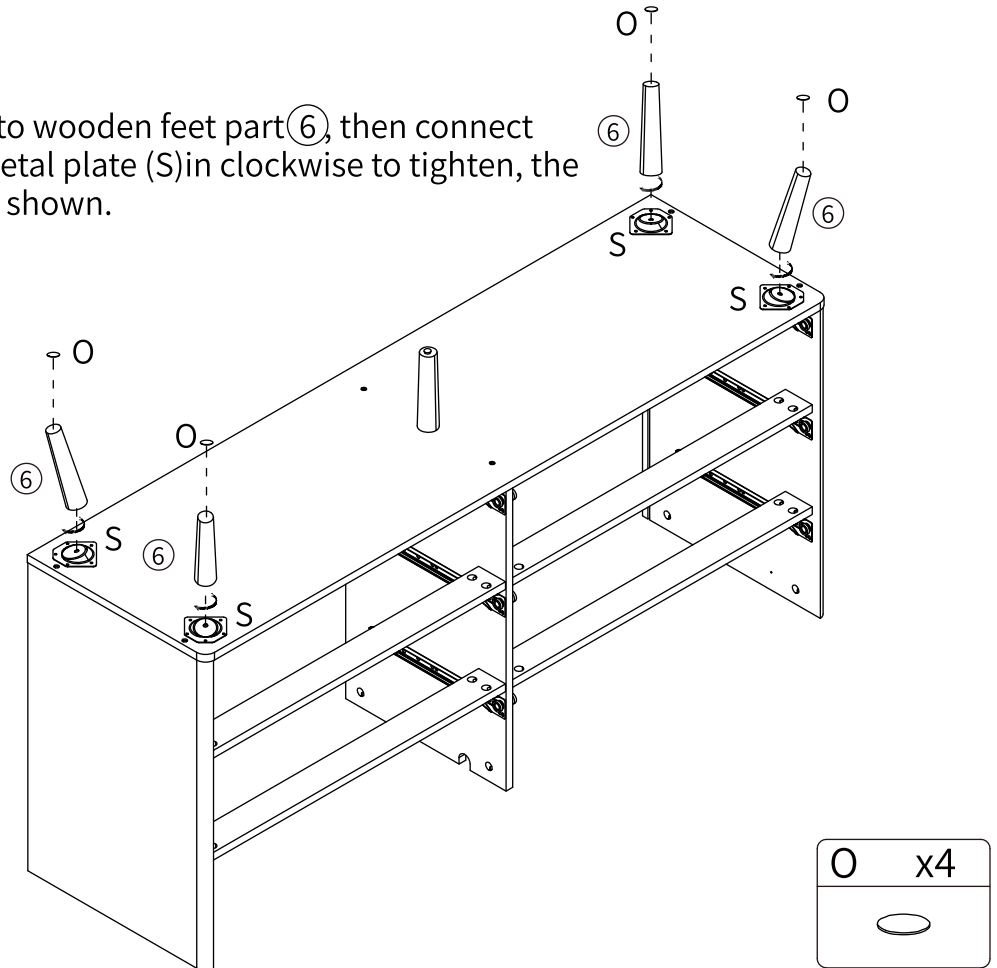
Step 10

Install metal plate (S) on bottom panel ⑧ with screw (J).



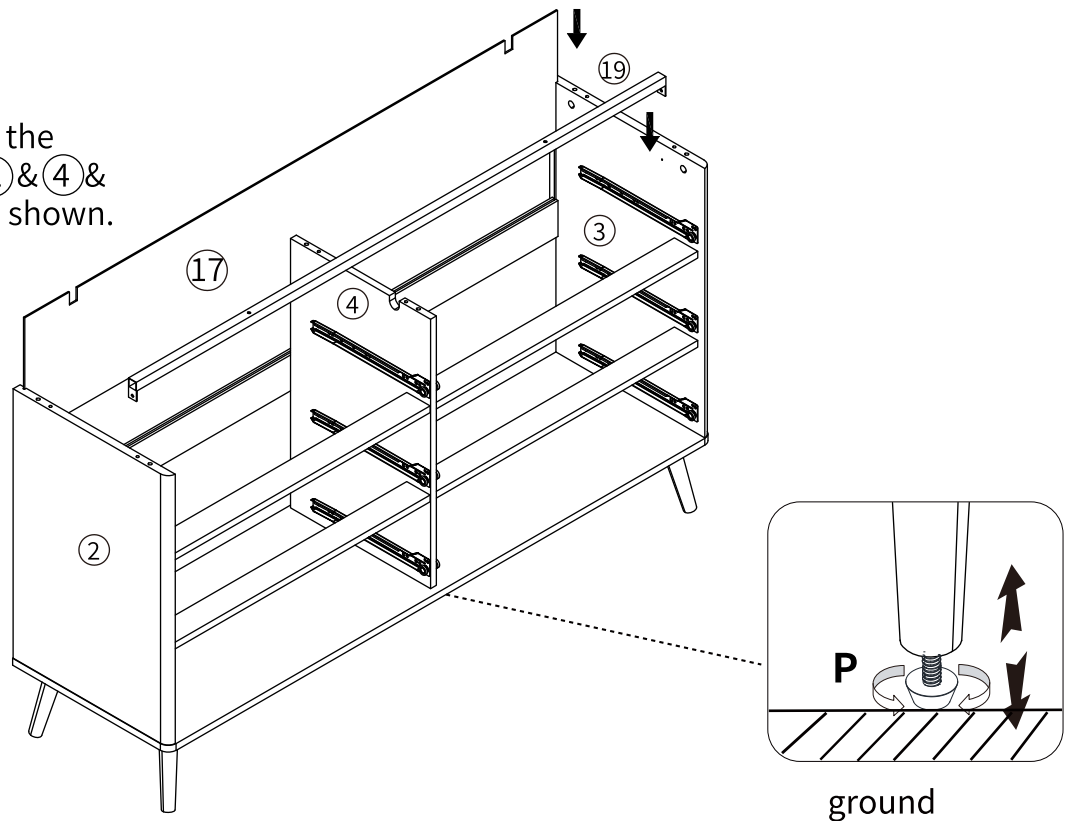
Step 11

Firstly attach leg cap (O) to wooden feet part (6), then connect wooden feet part (6) to metal plate (S) in clockwise to tighten, the installation position is as shown.



Step 12

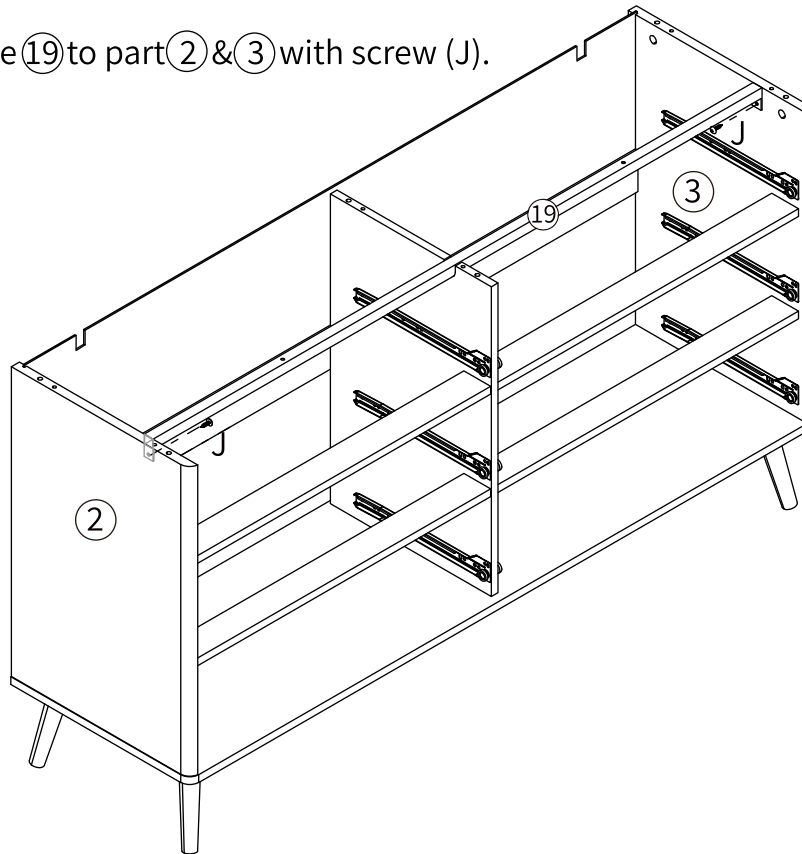
Insert part (17) along the slot between part (2) & (4) & (3), the position is as shown.




Adjusting the pad (P) on the middle leg, please ensure that it is firmly grounded to prevent any potential dresser collapse caused by hanging.

Step 13

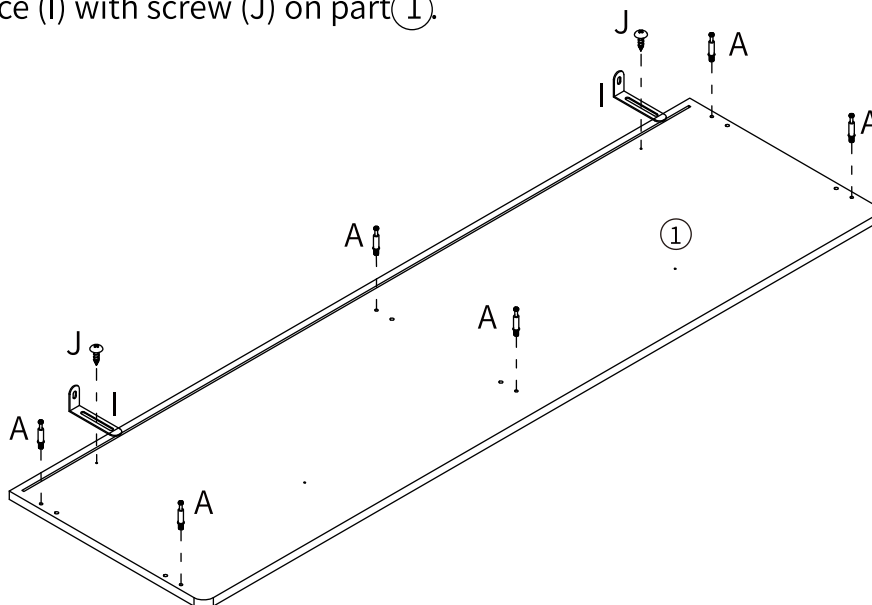
Lock the metal tube (19) to part (2) & (3) with screw (J).

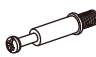



J	x2
	


Step 14

Install the screw (A) on the part (1), fasten the L-shaped iron piece (I) with screw (J) on part (1).



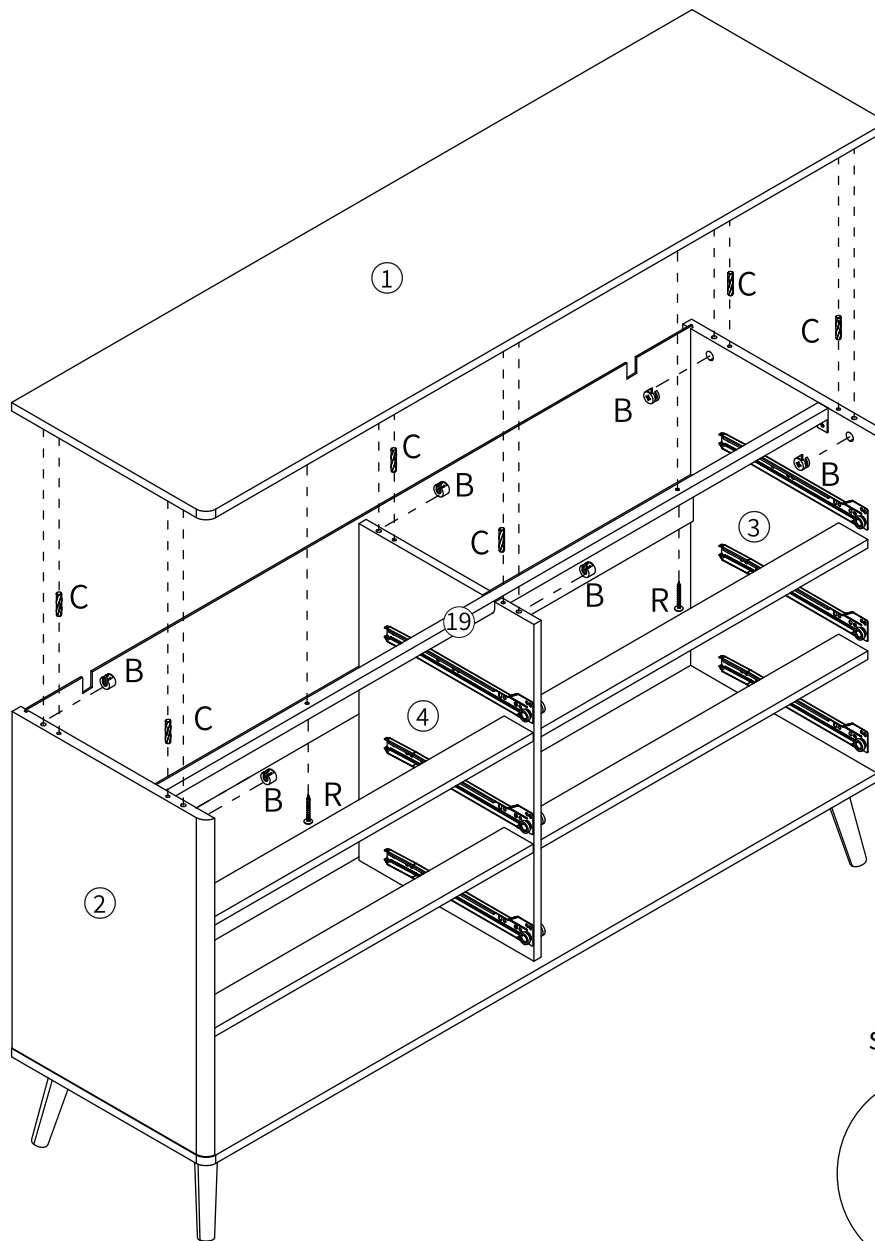
A	x6
	

I	x2
	

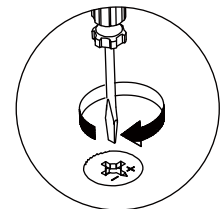
J	x2
	

Step 15

Insert the dowel (C) on part ②&④&③, connect assembled parts ②&④&③ to part ① with cam lock (B), put the cam lock (B) into the corresponding holes on part ②&④&③ and use a screwdriver to turn it clockwise to tighten. Connect part ⑱ to part ① with screw (R), the installation position is as shown.



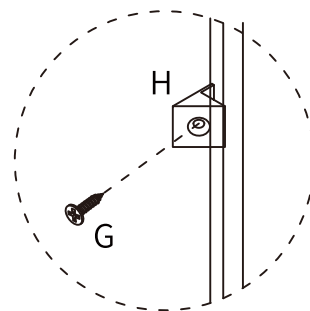
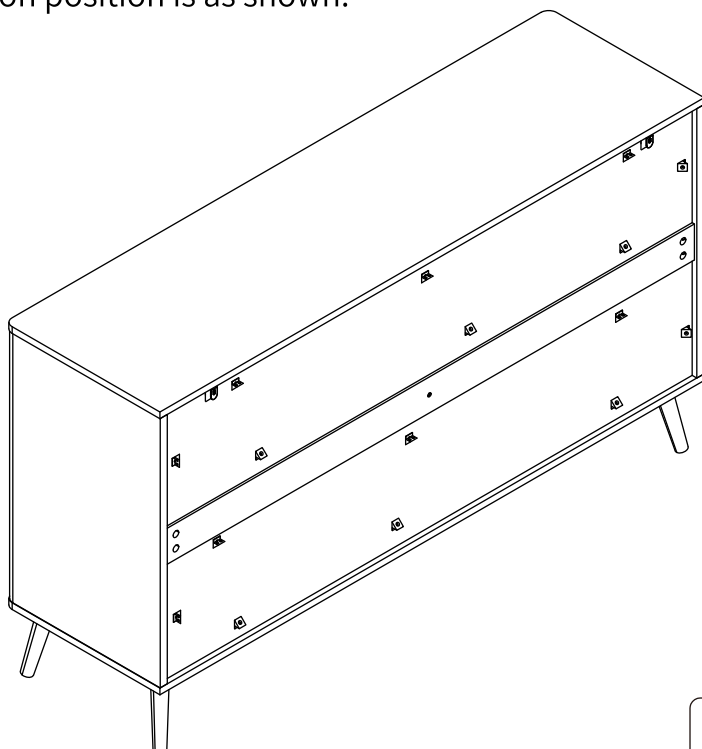
screwdriver





R x2	C x6	B x6

Step 16

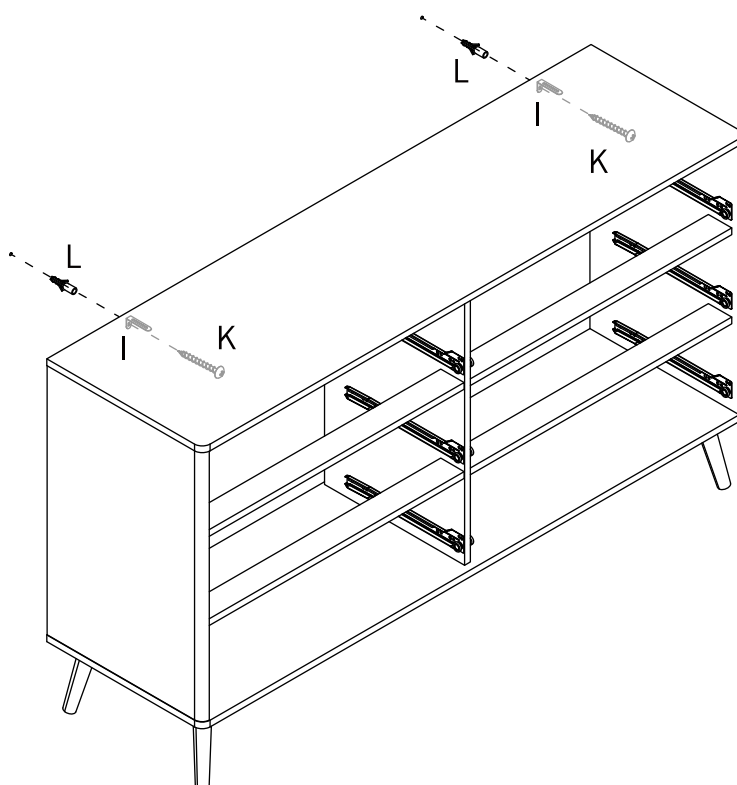
Use the screws in component (G), (H) to fasten the back plate buckle. The installation position is as shown.





G	x16	H	x16
			

Step 17

First drill holes on the wall where it is placed, then use expansionscrew (L) to fix the cabinet with screw (K). The installation location is as shown.

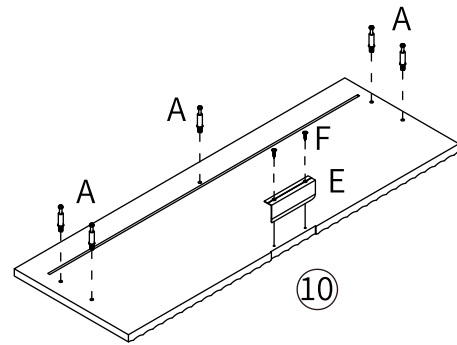
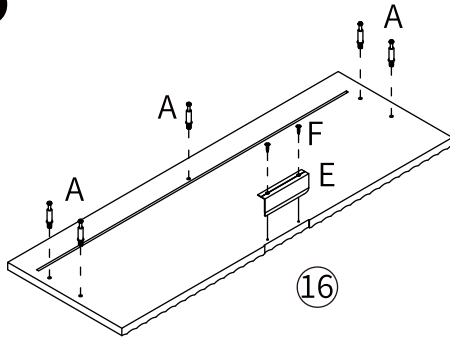


L	x2	K	x2
			

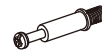
Step 18

Install the screw (A) on the drawer panels (16) & (10) firstly, then use the screw (F) to lock the handle (E) on the drawer panels (16) & (10).

x3



A x30



E x6



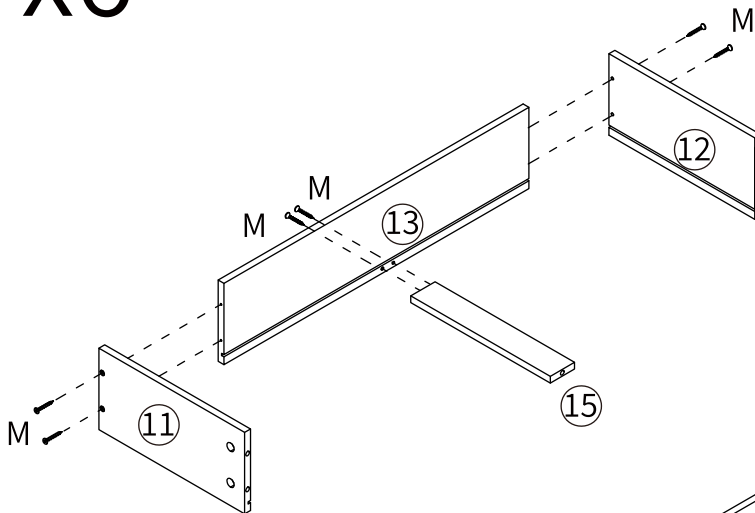
F x12



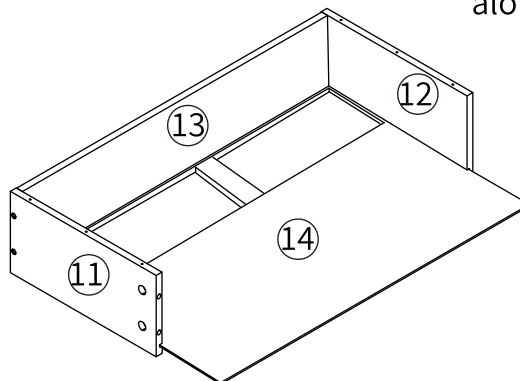
Step 19

Connect part (11) & (12) & (15) and part (13) with screw (M), the installation position is as shown below.

x6



Insert the bottom plate (14) along the slots.



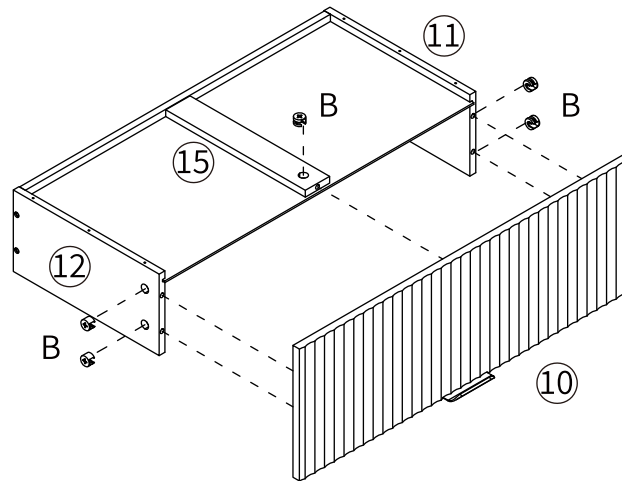
M x36



Step 20

Assemble the drawer front plate (10) to part (11) & (12) & (15), put the cam lock (B) into the corresponding holes on part (11) & (12) & (15) and use a screwdriver to turn clockwise to tighten.

x3



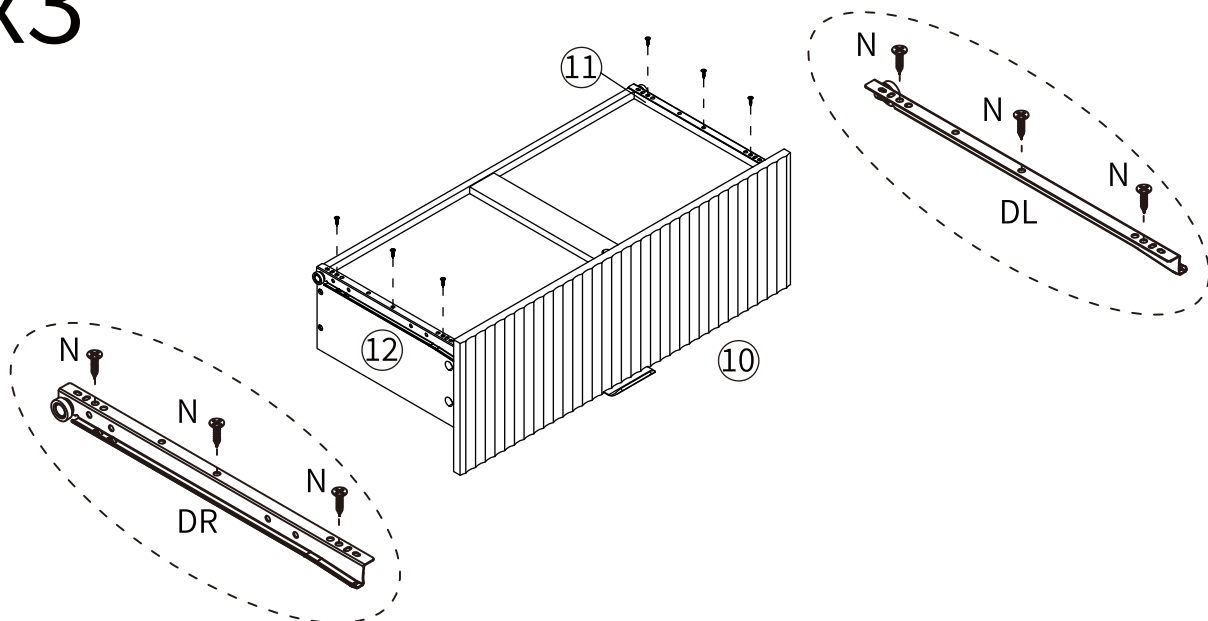
B x15



Step 21

Use the screw (N) to install the guide rail (DR) on the side panel (12) and install the guide rail (DL) on the side panel (11) with screw (N), the installation position is as shown.

x3



DL x3



DR x3



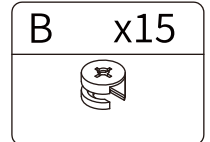
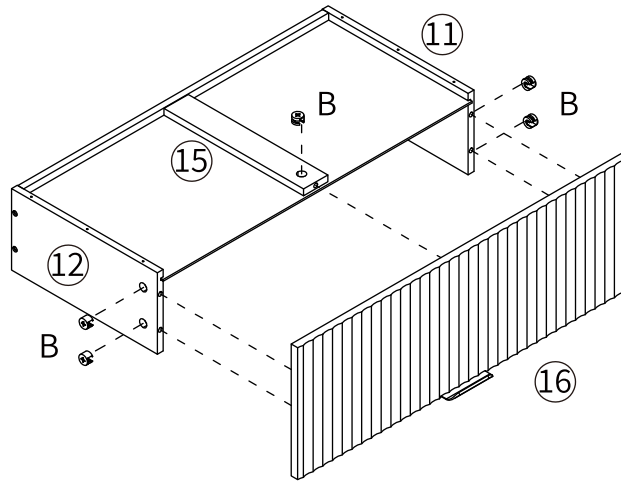
N x18



Step 22

Put the cam lock (B) into the corresponding holes on part ①① & ①② & ①⑤ and use a screwdriver to turn clockwise to tighten, assemble the drawer front plate ①⑥ to the drawer.

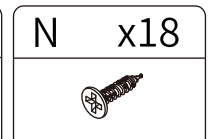
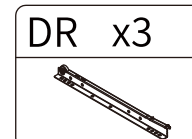
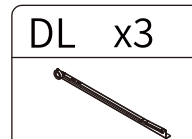
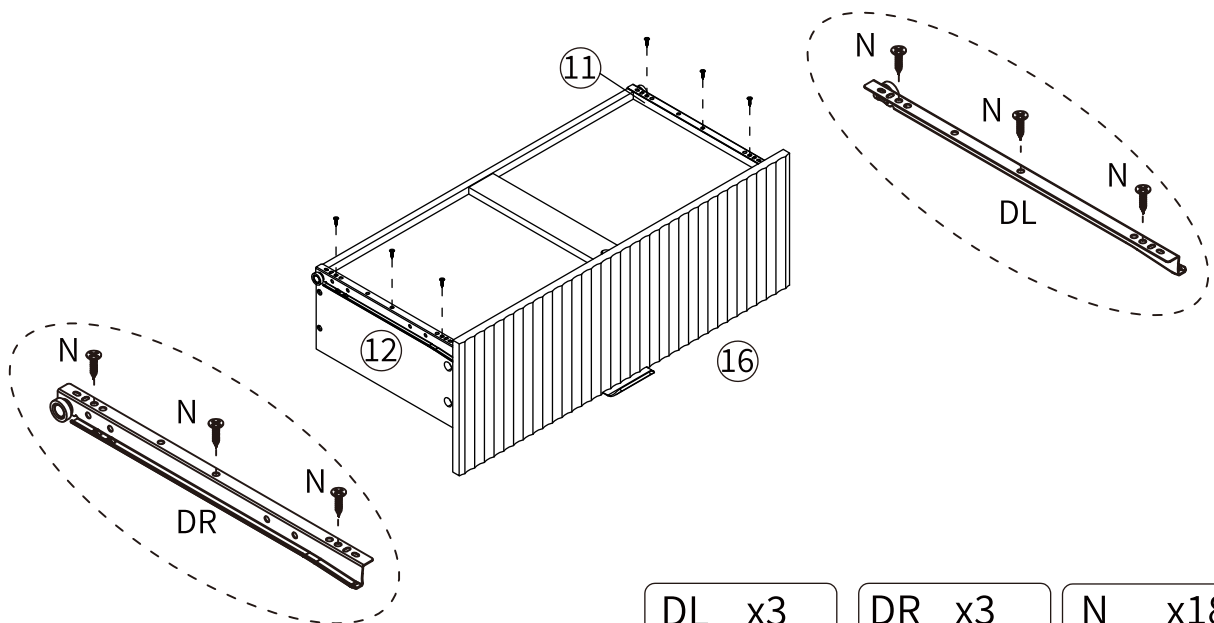
x3



Step 23

Use the screw (N) to install the guide rail (DR) on the side panel ①② and install the guide rail (DL) on the side panel ①① with screw (N), the installation position is as shown.

x3



Step 24

Install the drawers into corresponding drawer spaces as shown.

