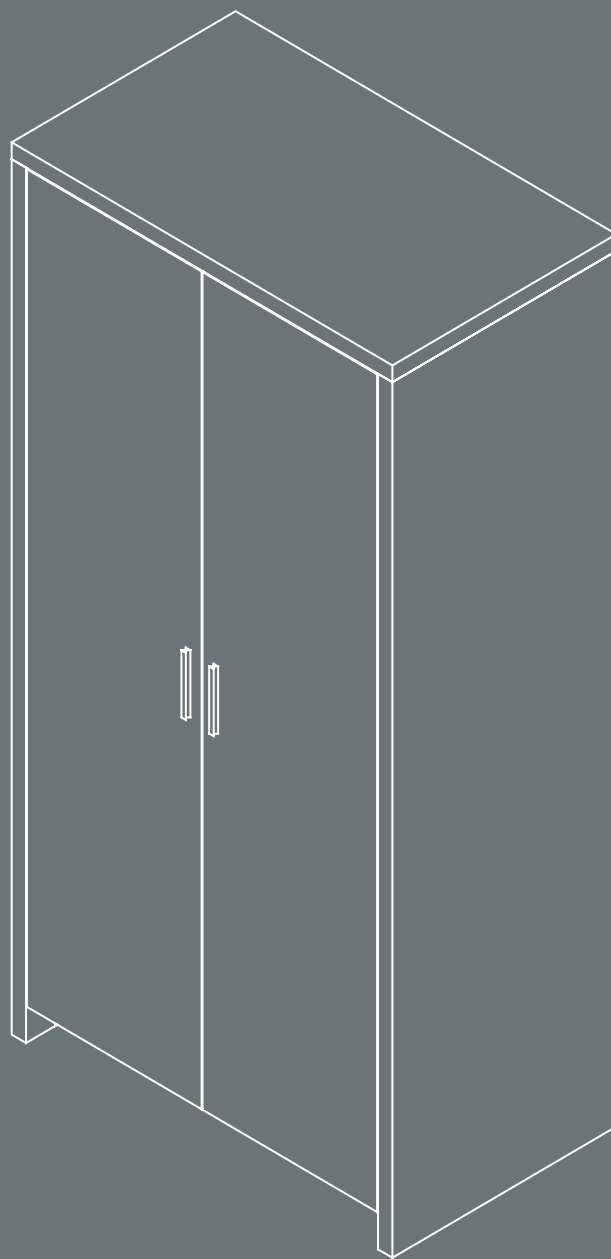


Modena

Wardrobe



Assembly Instructions

Conforms to BS EN 14749:2005

Tutti Frutti Direct Ltd. Unit 3, 1000 North Circular Road, London, UK, NW2 7JP

t: +44 (0) 208 368 5800

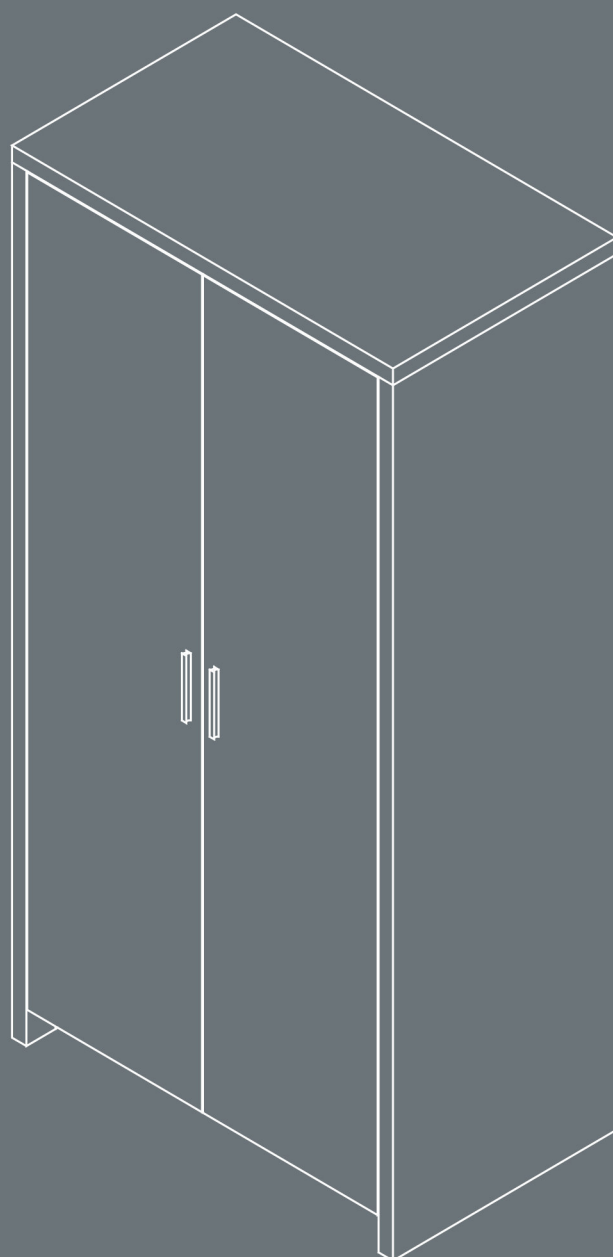
e: customerservice@tuttibambini.co.uk

www.tuttibambini.com

Modena

Wardrobe

211337



IMPORTANT: RETAIN FOR FUTURE REFERENCE.
READ CAREFULLY

Hello,

PLEASE READ THIS LEAFLET BEFORE ASSEMBLY

Dear Customer,

Thank you for buying Tutti Bambini furniture. Follow the instructions carefully and check that you have all the elements including the fittings before attempting assembly. If there are any missing or damaged parts, please inform us before you start the assembly. Please note that incorrect assembly of your furniture will not be a basis for a claim against the product being damaged.

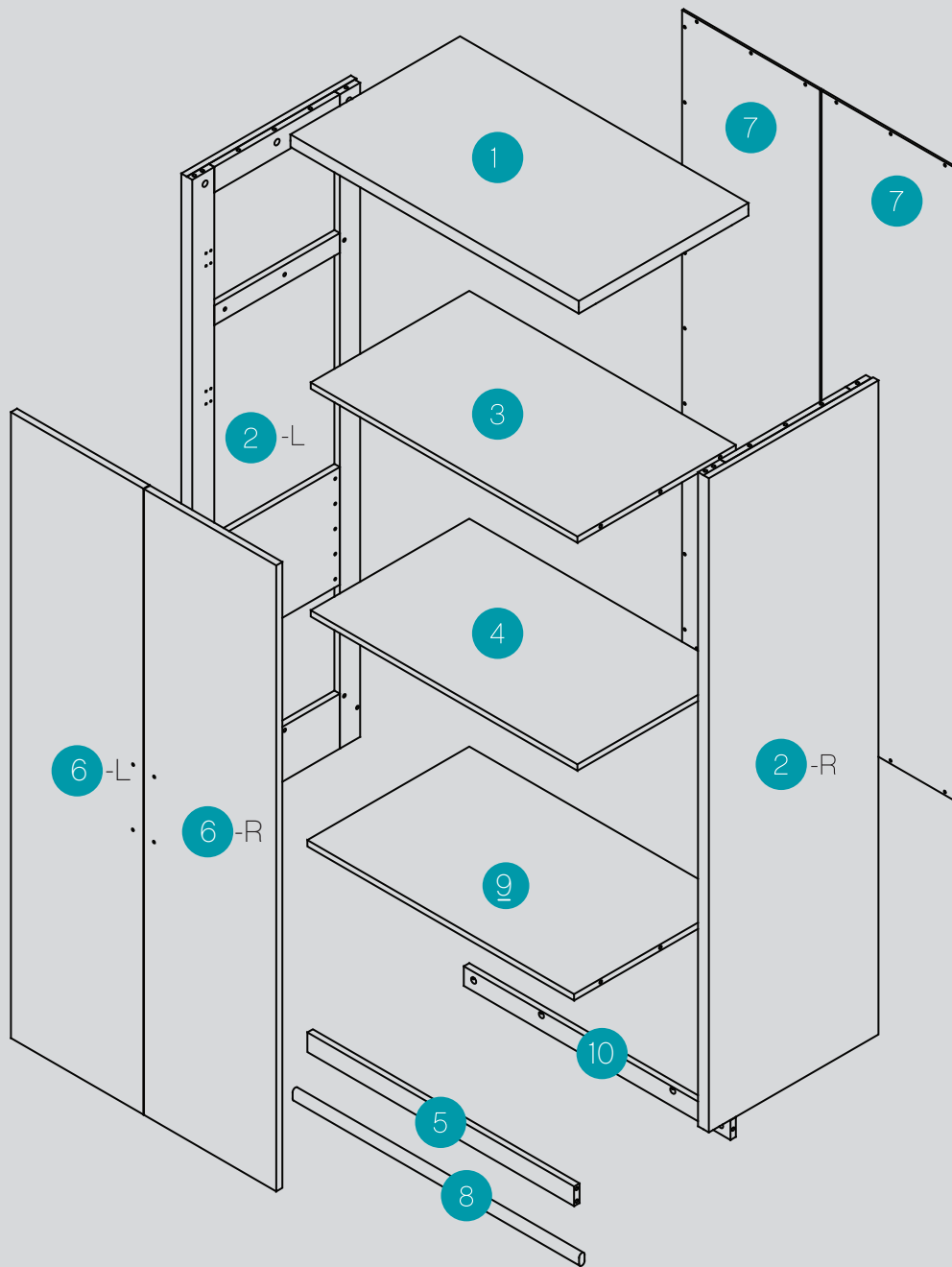
In the unlikely event that your furniture is found to be faulty, we ask that you send an email to: customerservice@tuttibambini.co.uk with the following information that can be found on the white label on the outside parcel.

- Name
- Postcode
- Contact telephone number
- Sales order number (found on white label)
 - Product name & colour
 - Damaged part number
- A photo or video of the damaged part

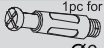



Tutti Bambini guarantee your product against faulty manufacture for a period of 12 months from date of receipt of purchase. This does not affect your statutory rights





Team Tutti


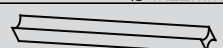



Parts List



Hardware list

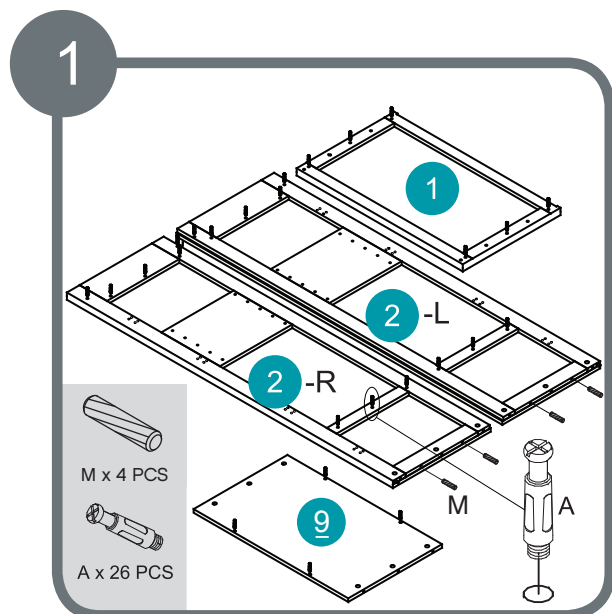
ID#	 1pc for replacement	Qty
A	Ø6.5x40mm	27 pc
ID#	 1pc for replacement	Qty
B	Ø15x11.5mm	27 pc
ID#		Qty
C		2 pc
ID#	 1pc for replacement	Qty
D	Ø3.5x14mm	33 pc

ID#	 1615mm	Qty
E		1 pc
ID#		Qty
F	Ø5x18mm	4 pc
ID#		Qty
H		8 pc
ID#		Qty
G	Ø4x16mm	49 pc

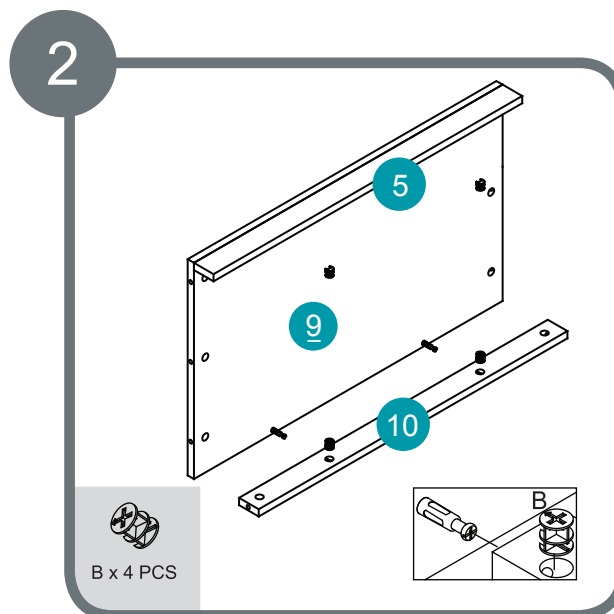
ID#		Qty
I	Ø4x22mm	4 pc
ID#		Qty
J		2 pc
ID#		Qty
K	Ø10/6mm	2 pc
ID#		Qty
L	200x30mm	1 pc
ID#		Qty
M	M8*40mm	4 pc



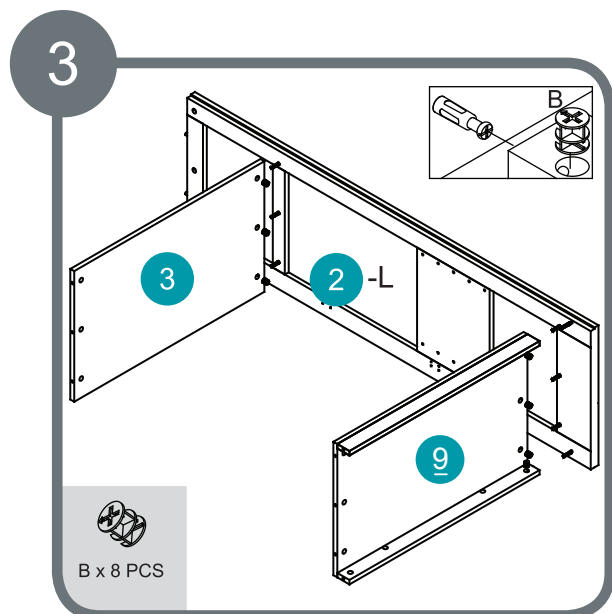
Assembling into wardrobe



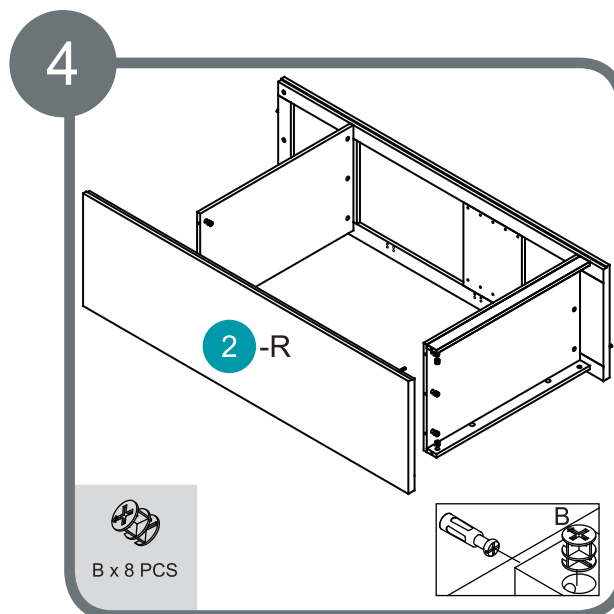
Put wooden dowels into top of part 2L and 2R. Screw metal dowels into top, side and bottom.



Assemble support bars to bottom using 4 x B locking nuts.

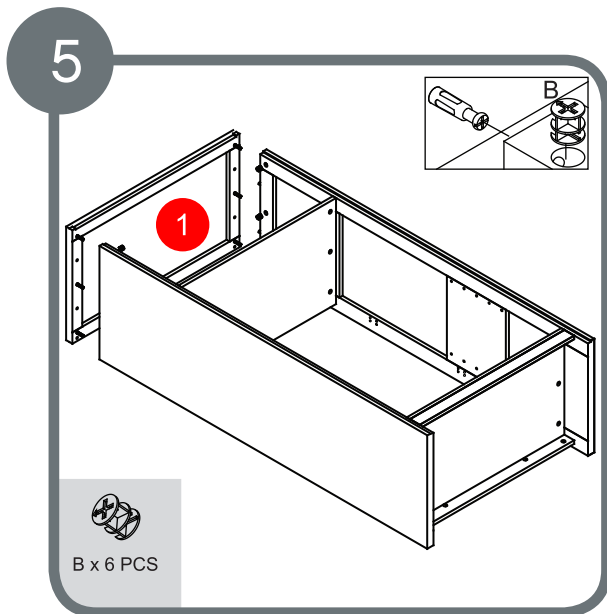


Assemble shelf and support bar to side panel using 8 x B locking nuts

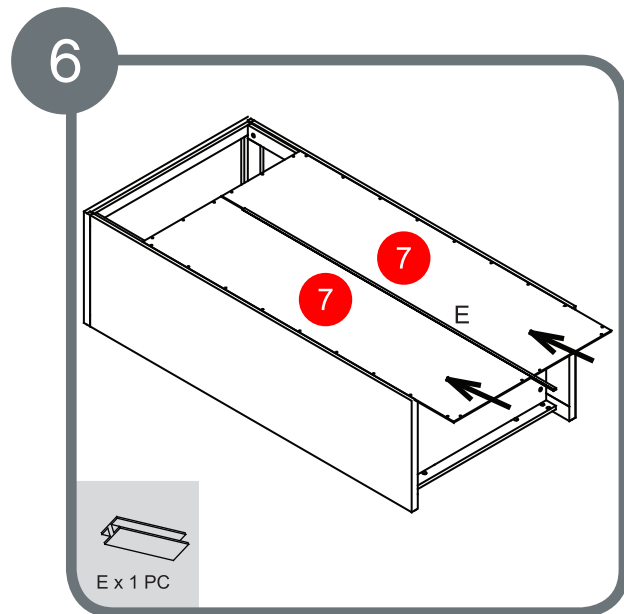


Assemble right side using 8 x B locking nuts

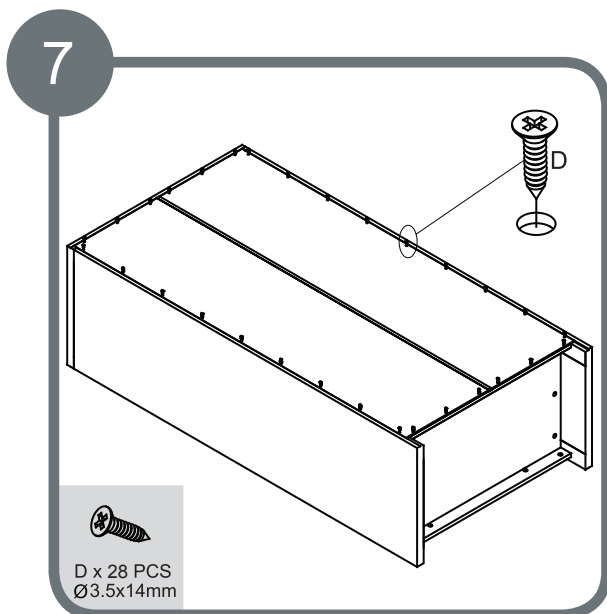
Assembling into wardrobe



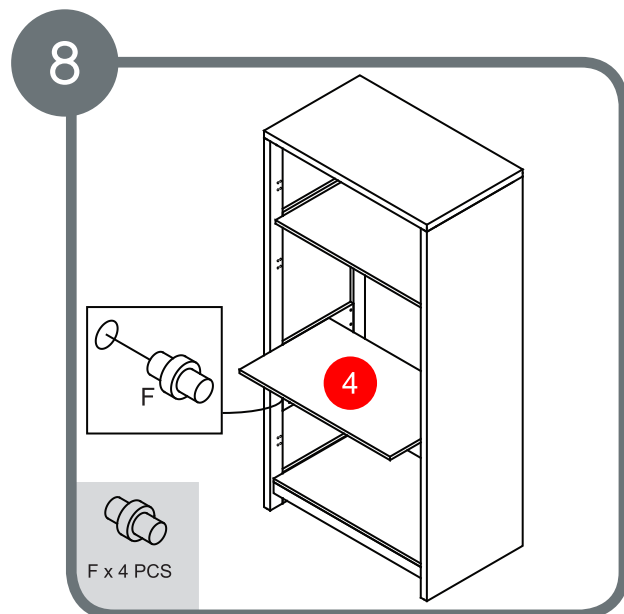
Connect top to the frame using 6 x B locking nuts



Connect two backs with H slat, attach to the frame



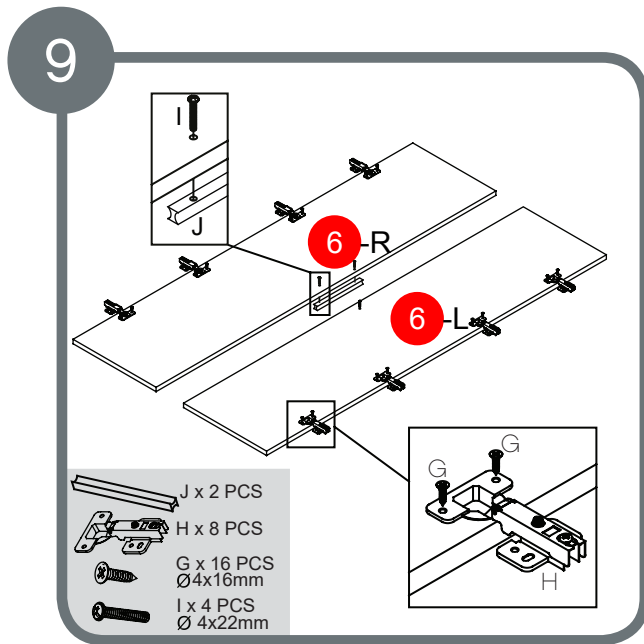
Assemble back using 28 x D screws



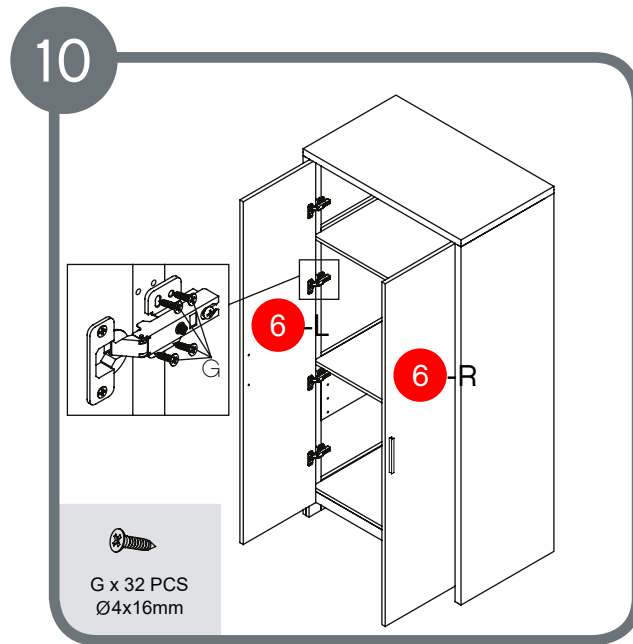
Attach shelf supports F to the side, then put the shelf on the shelf support.



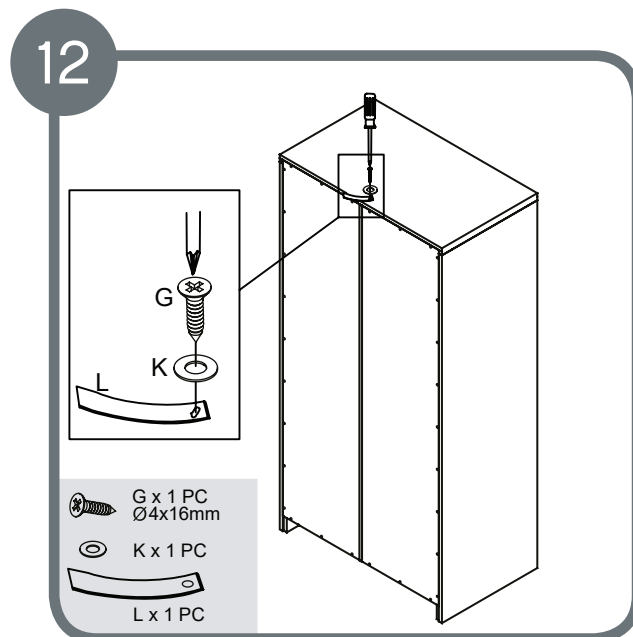
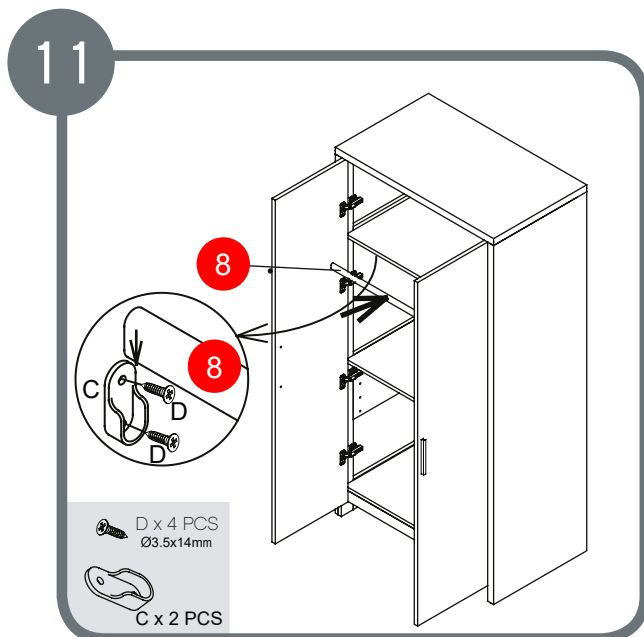
Assembling into wardrobe



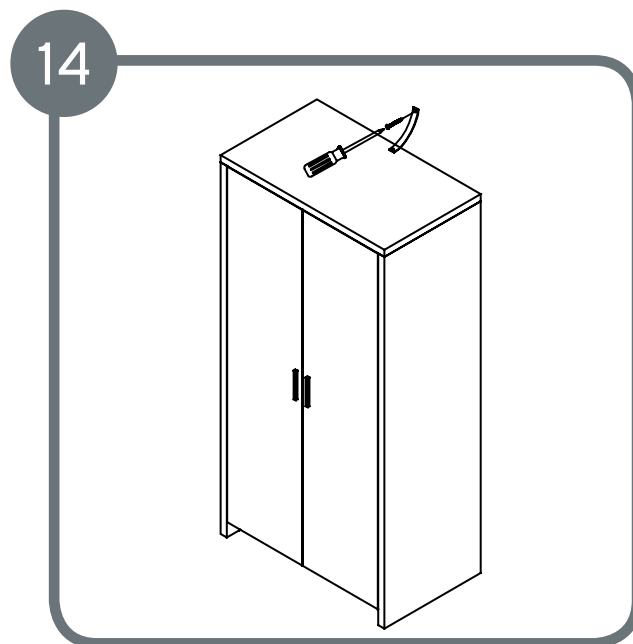
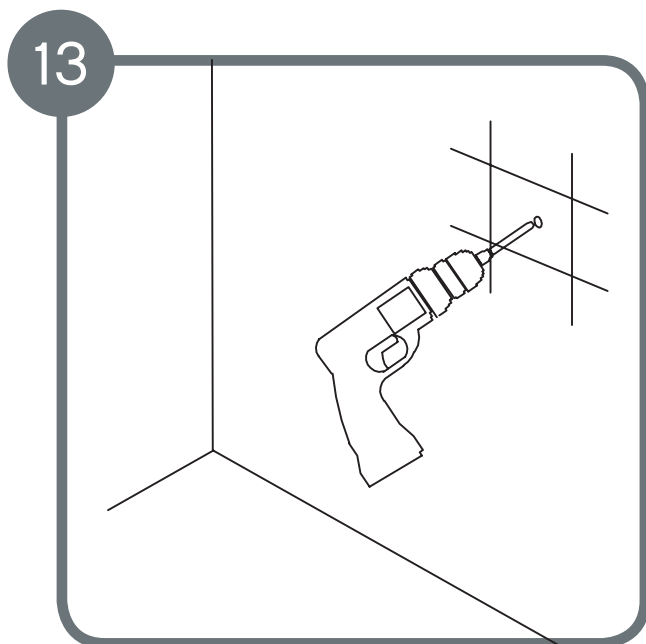
Attach door hinges H to the doors using 16 x G screws. Attach handles J to the doors using screws I.



Attach two doors to side using 32 x G screws



Assembling into wardrobe



Fittings to attach the strap to the wall are not provided and suitable fittings for the wall type should be used.

Caution: The drawer is not provided with end stops that prevent it from being pulled out of the unit

Safety advice and maintenance

IMPORTANT! KEEP FOR FUTURE REFERENCE: READ CAREFULLY

1. WARNING: Never leave your child unattended. The safety of your child is your responsibility.
2. WARNING: Do not allow children to climb on or in the wardrobe.
3. WARNING: Make sure the wardrobe is situated on a clear firm and level surface.
4. WARNING: Do not use the wardrobe if it is damaged or broken or there are parts missing. Use only spare parts approved by Tutti Bambini.
5. WARNING: Do not place the wardrobe in or near the vicinity of open fires or other surfaces of strong heat, such as gas or electric fires.
6. The wardrobe can be cleaned with a clean damp cloth. Do not use aggressive cleaning agents such as bleach or strong detergents.
7. Check on a regular basis that all fittings and screws are correctly tightened and are not damaged. Loose screws can pinch parts of the body and clothing resulting in the risk of strangulation.
8. Do not twist or pivot the wardrobe, if the wardrobe is to be moved always lift with at least two people.

Product development dictates that components may occasionally differ from the ones shown in the diagrams of these instructions. The right to change the specifications and design of the furniture without prior notice remains with the manufacturer.

Guarantee

All our products are produced from the finest quality materials and are manufactured under the strictest quality controls. We guarantee all our products or parts thereof against faulty manufacture for a period of one year from date of purchase. This guarantee is not effective against accidental damage or damage caused by incorrect use or neglect. This does not affect your statutory rights.

Join Us



Follow us on Facebook
TuttiBambiniUK



Follow us on Twitter
TuttiBambiniUK



Follow us on Instagram
TuttiBambiniUK



www.tuttibambini.com