



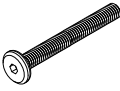

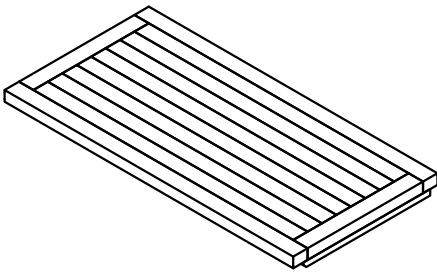
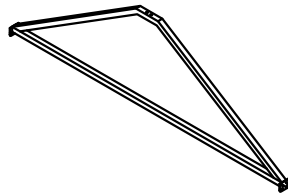


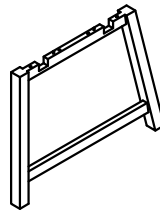
<p>A</p>  <p>Ø4: 1PC</p>	<p>D</p>  <p>Ø8x15(mm): 4 PCS</p>
<p>B</p>  <p>Ø8x50(mm): 2 PCS</p>	<p>E</p>  <p>x 4 PCS</p>
<p>C</p>  <p>Ø8x80(mm): 8 PCS</p>	<p>F</p>  <p>Ø4x20(mm): 4 PCS</p>



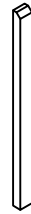
1 x 1 PC



2 x 1 PC

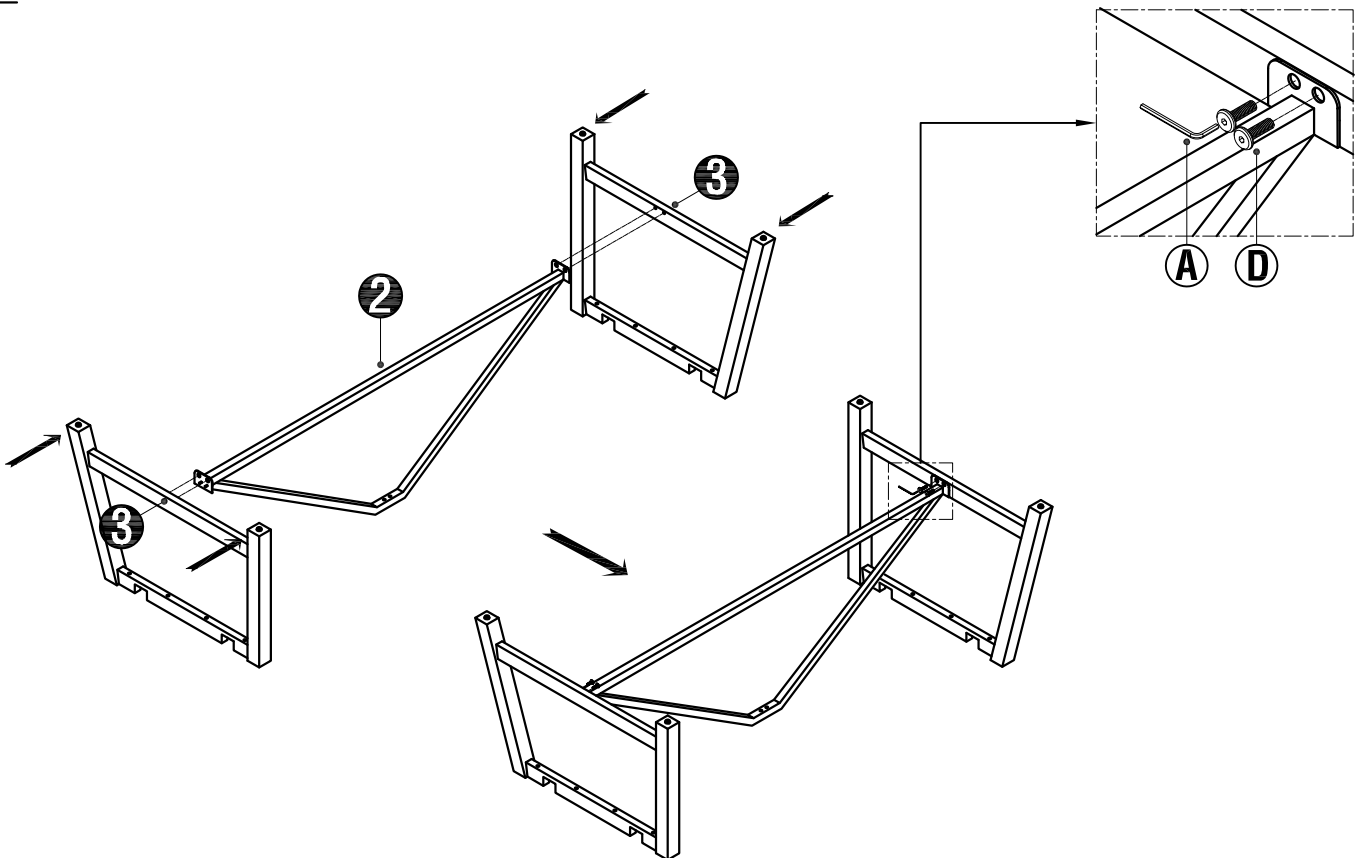


3 x 2 PCS



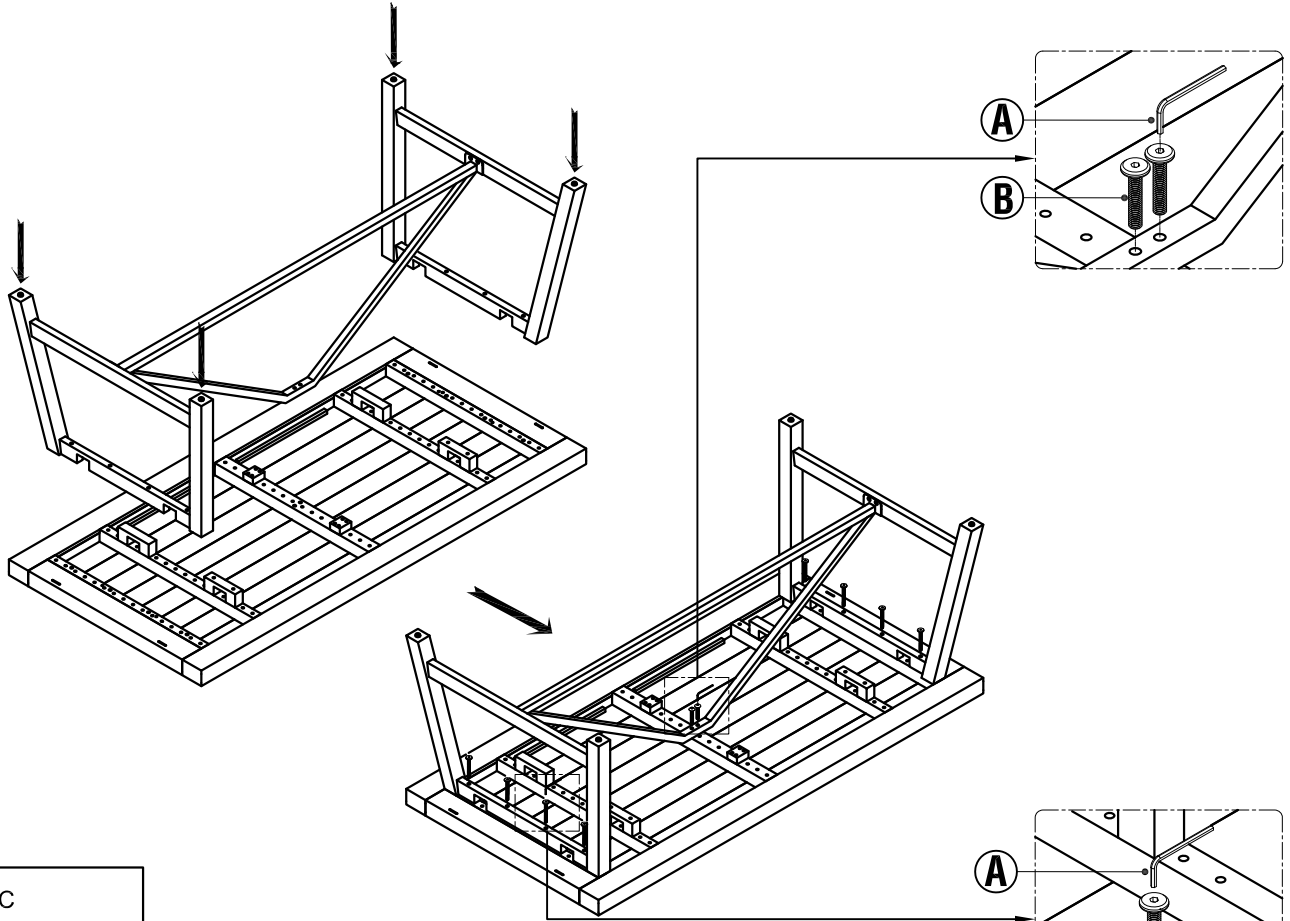
4 x 4 PCS

STEP 1

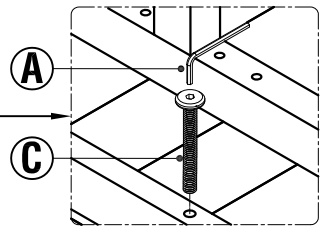


<p>A Ø4: 1PC</p>
<p>D Ø8x15(mm): 4 PCS</p>

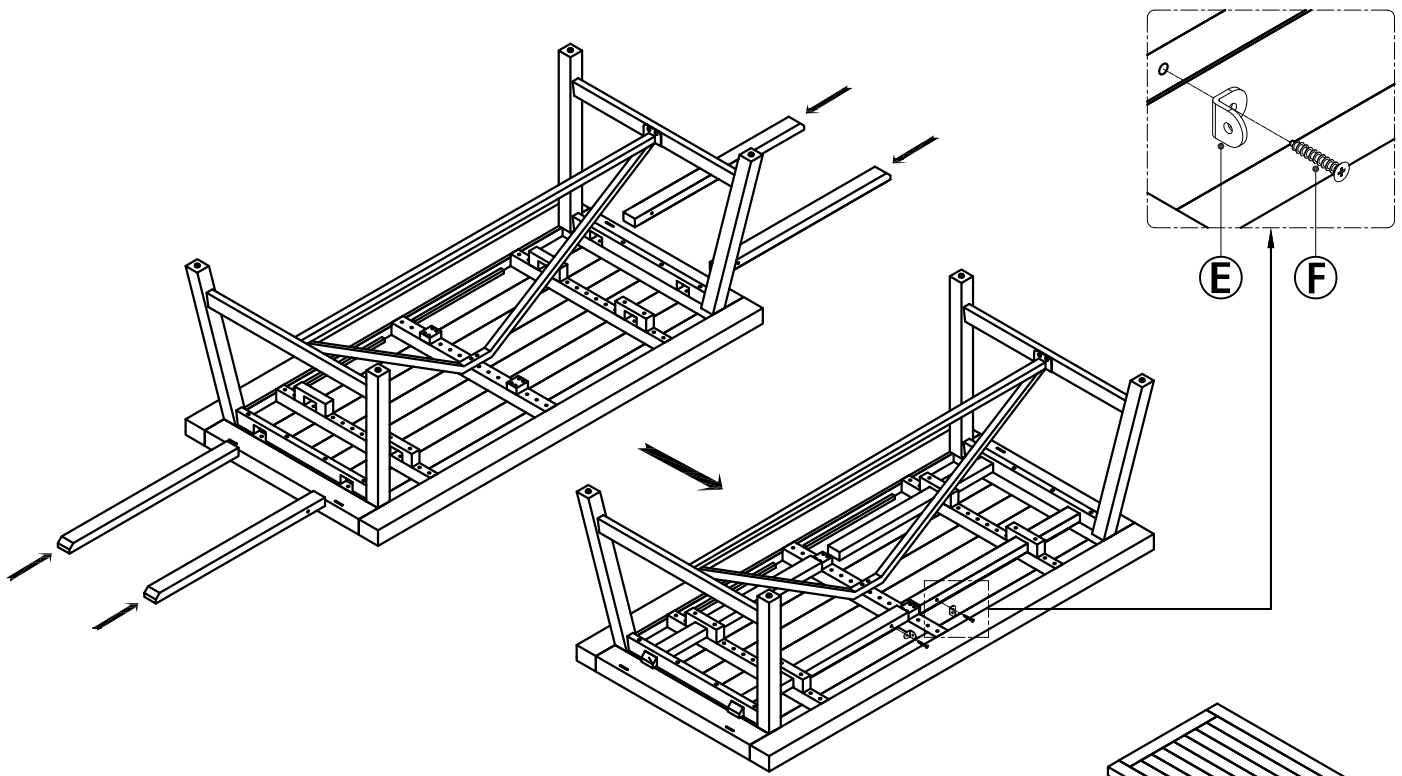
STEP 2



- A** Ø4: 1PC
- B** Ø8x50(mm): 2 PCS
- C** Ø8x80(mm): 8 PCS



STEP 3



- E** 4 PCS
- F** Ø4x20(mm): 4 PCS

