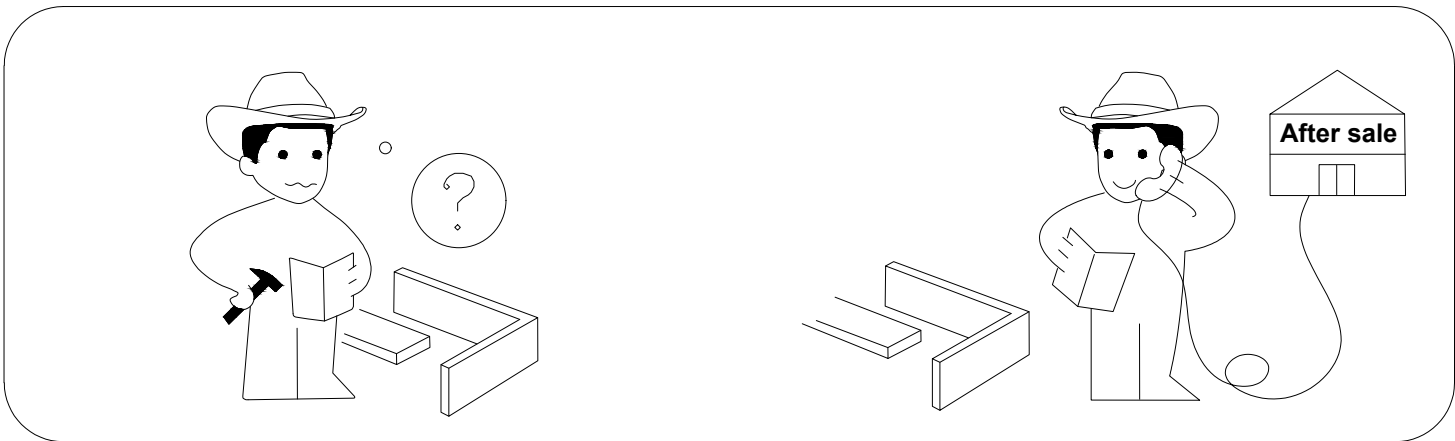
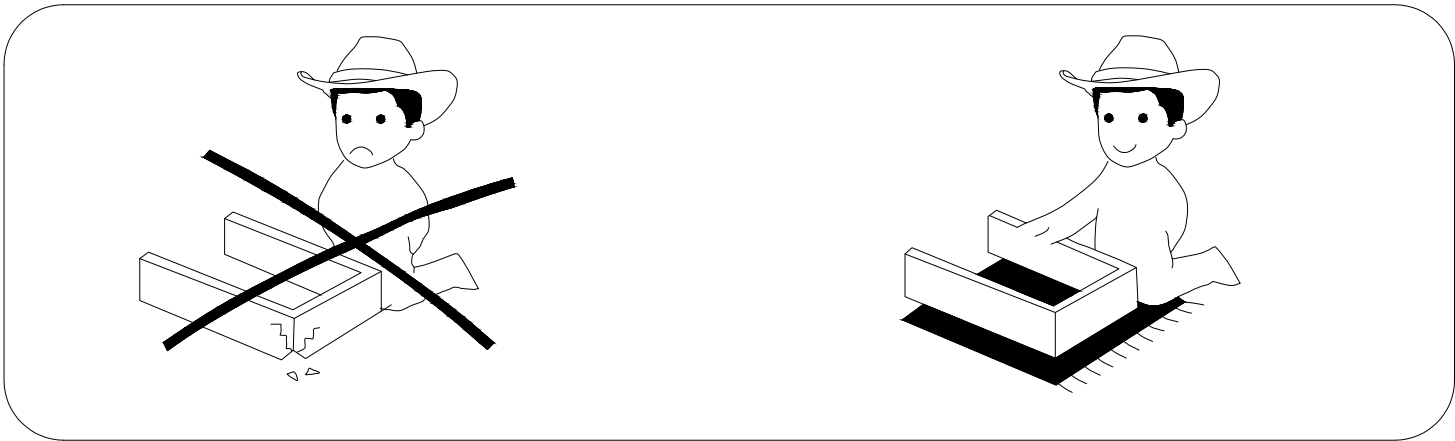
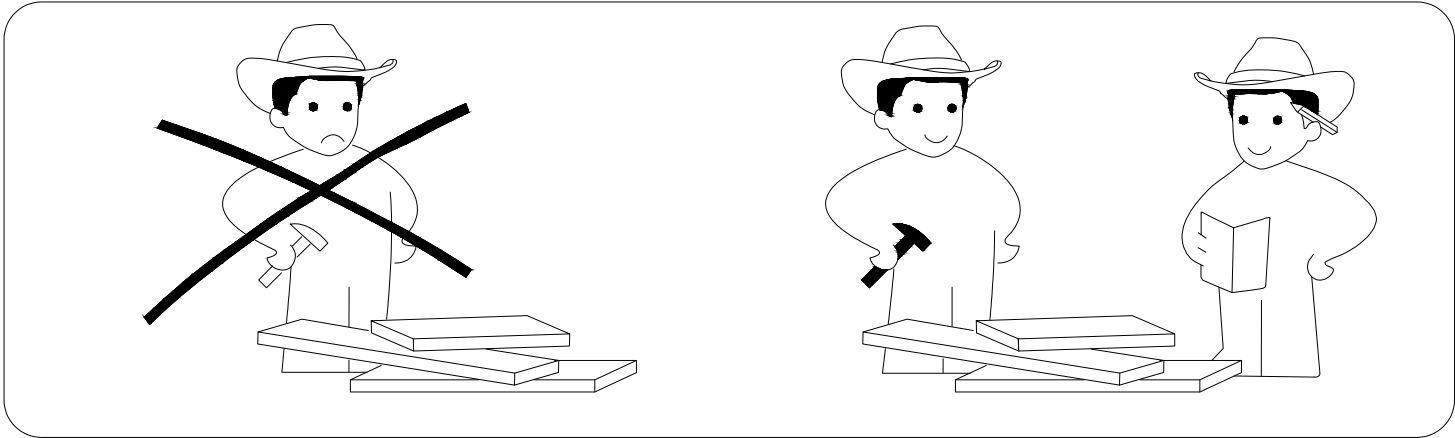
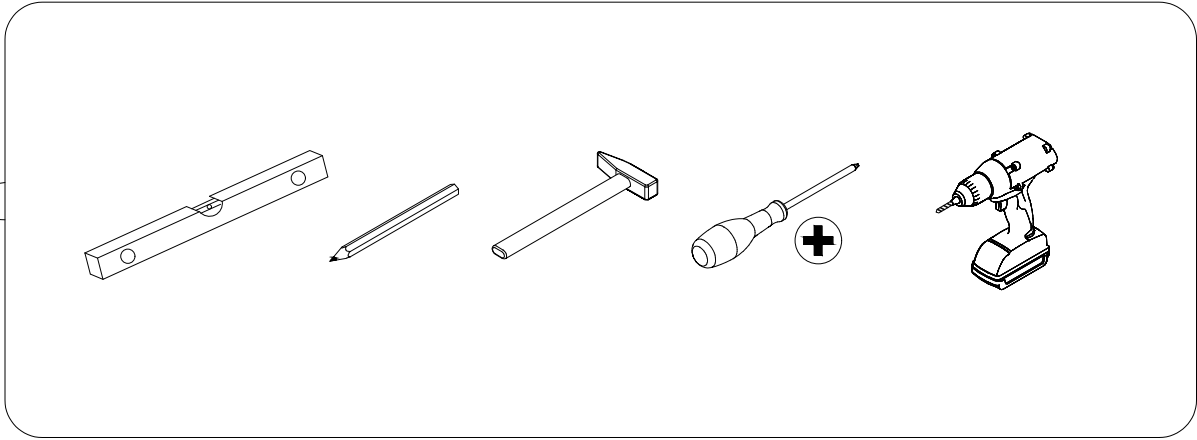
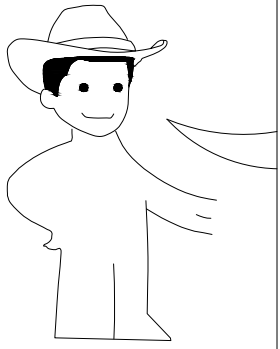

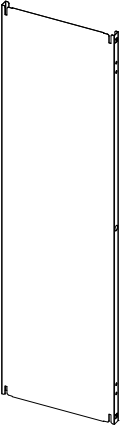
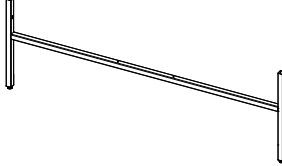
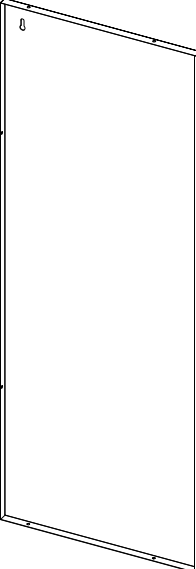
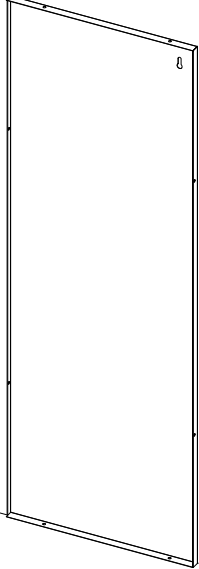
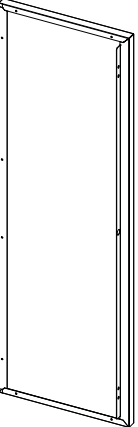
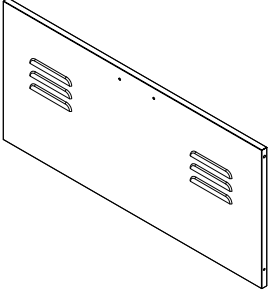
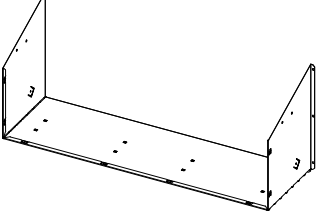
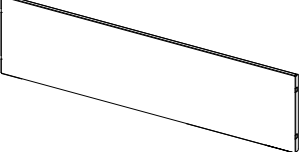
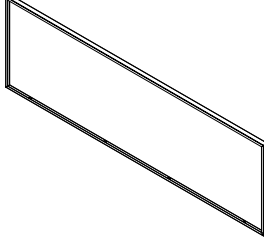
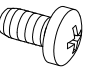

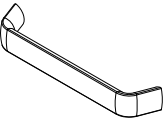


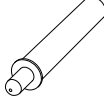

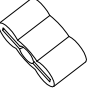
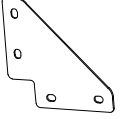
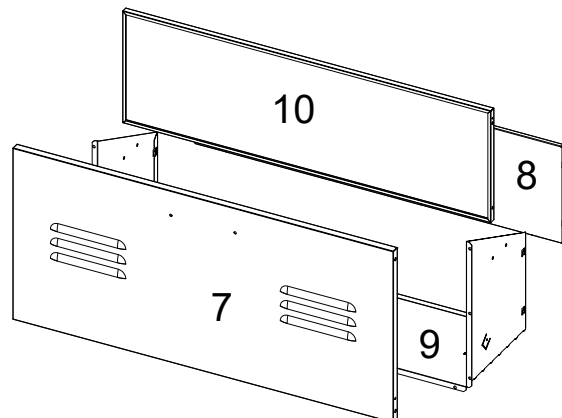
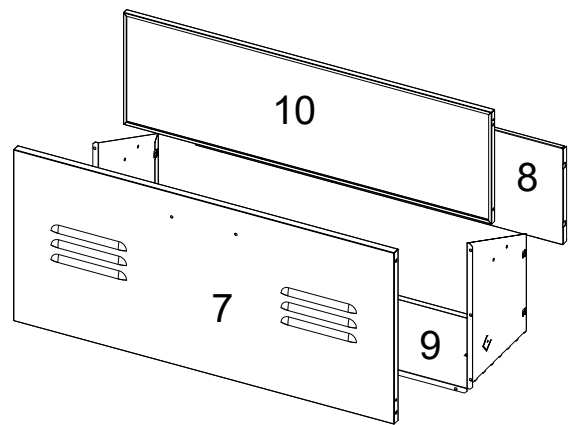
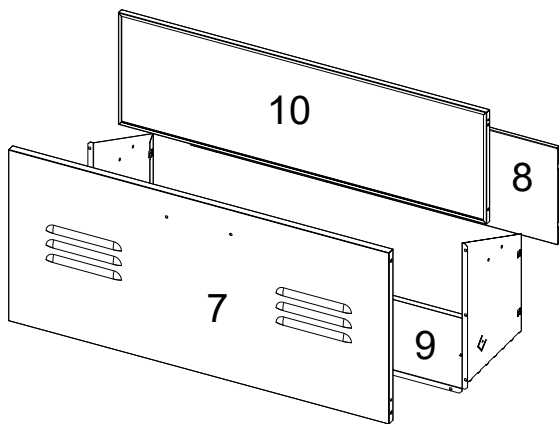
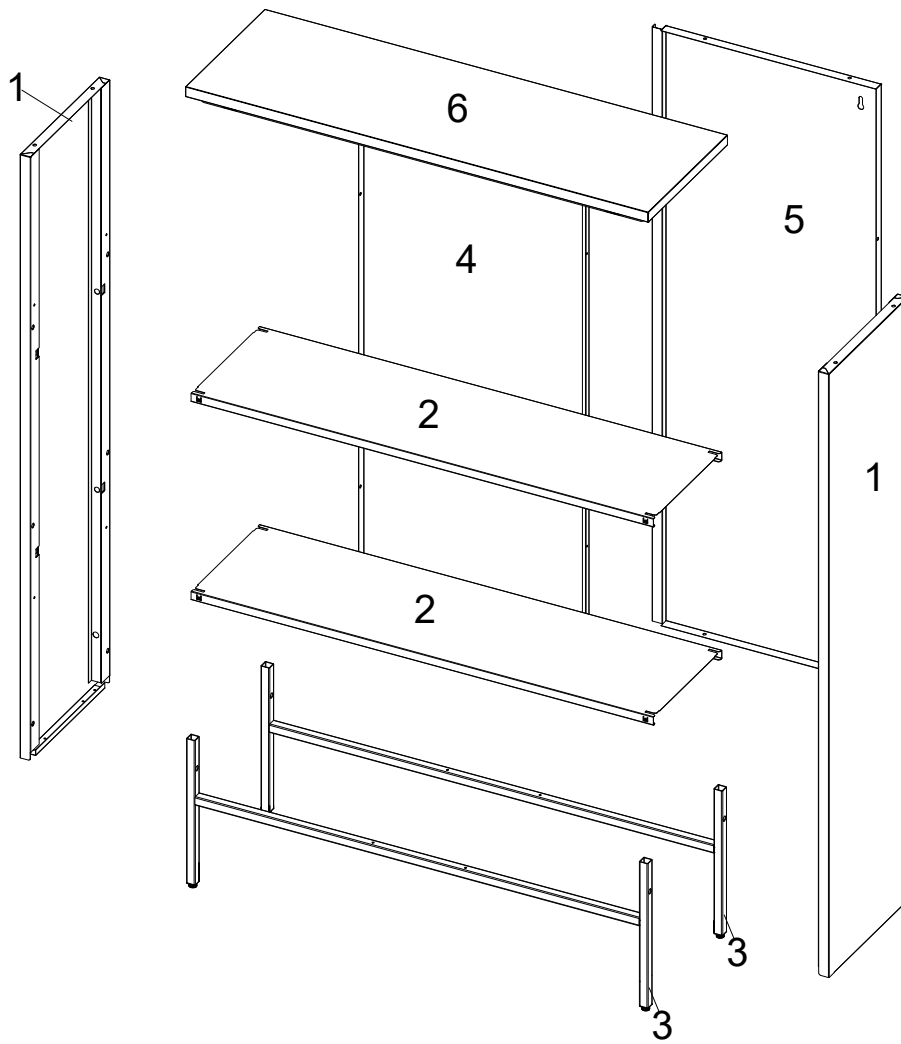


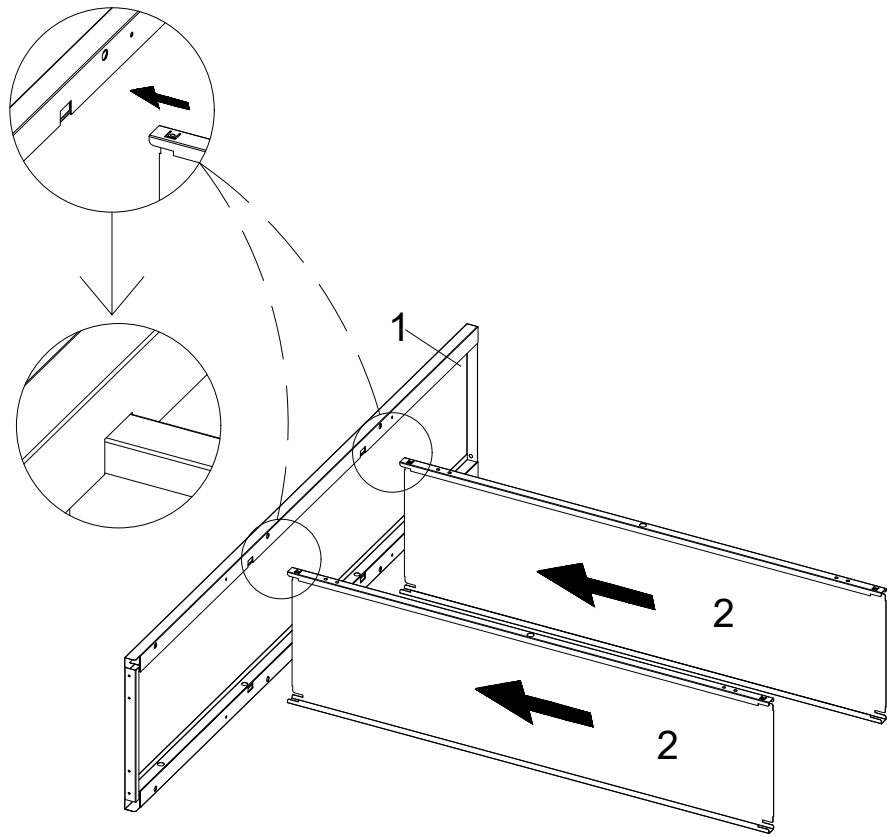
Installation video



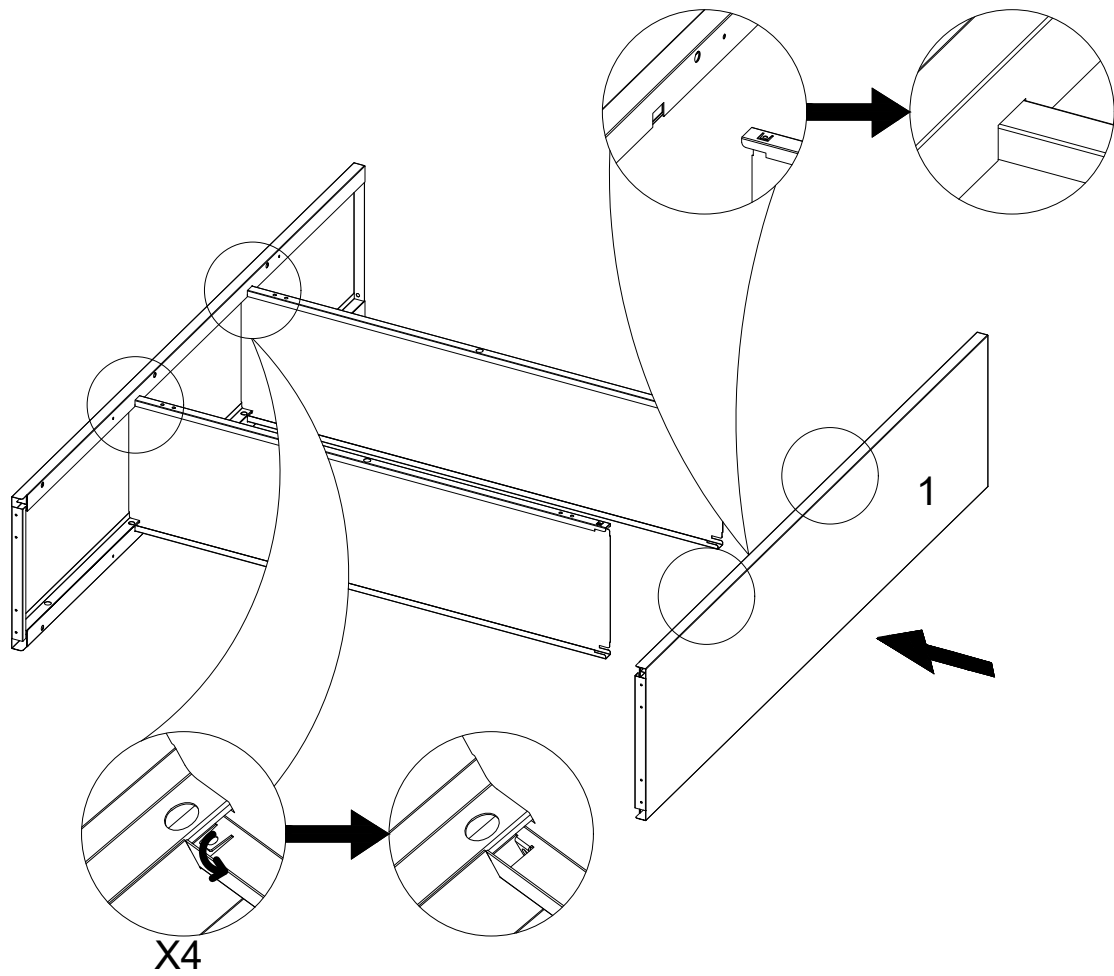
1×2pcs		2×2pcs		3×2pcs		4×1pc	
							
5×1pc		6×1pc		7×3pcs		9×3pcs	
							
				8×3pcs		10×3pcs	
							
A×68pcs	B×6pcs	C×3pcs	D×6pcs	E×6pcs	F×3pcs	G×2pcs	H×6pcs
							
M4×8mm	M4×5mm						
I×4pcs							
							



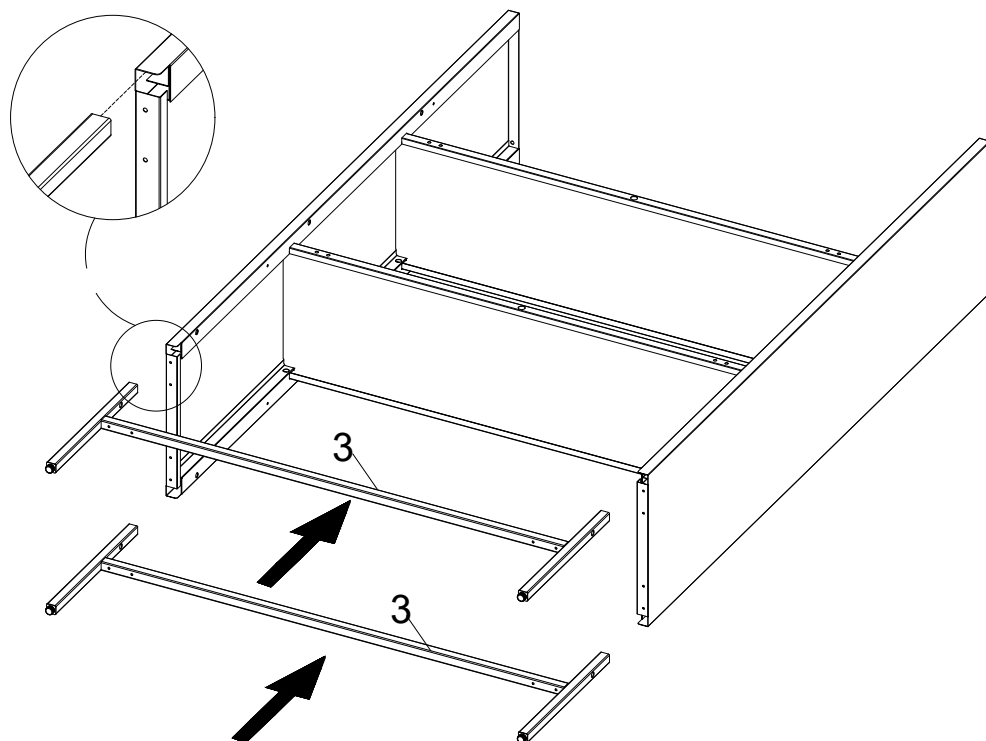
1



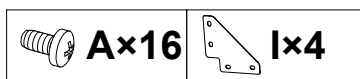
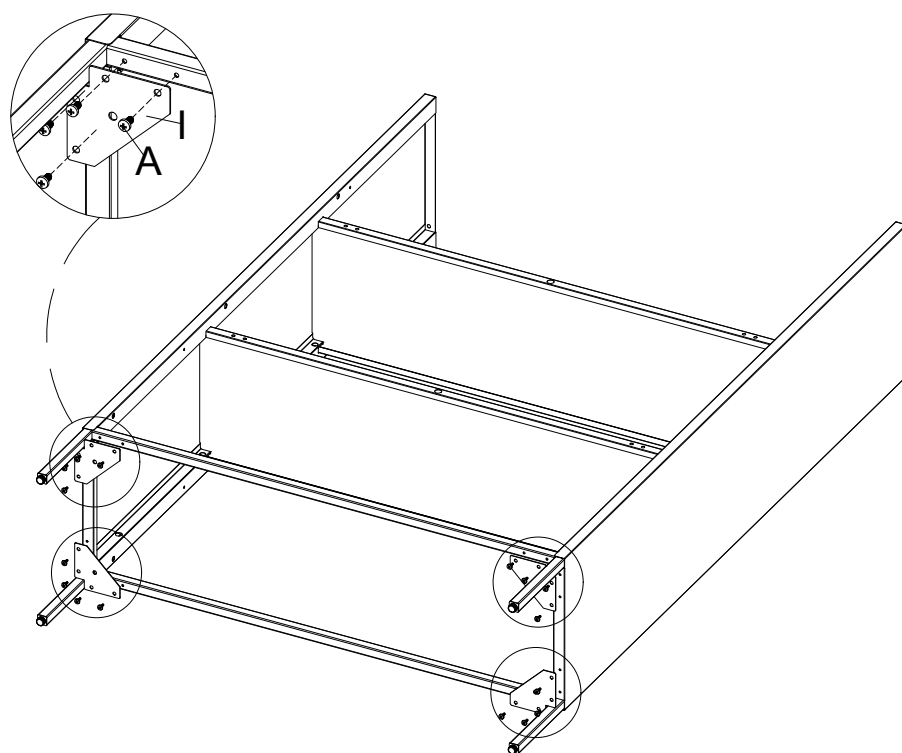
2



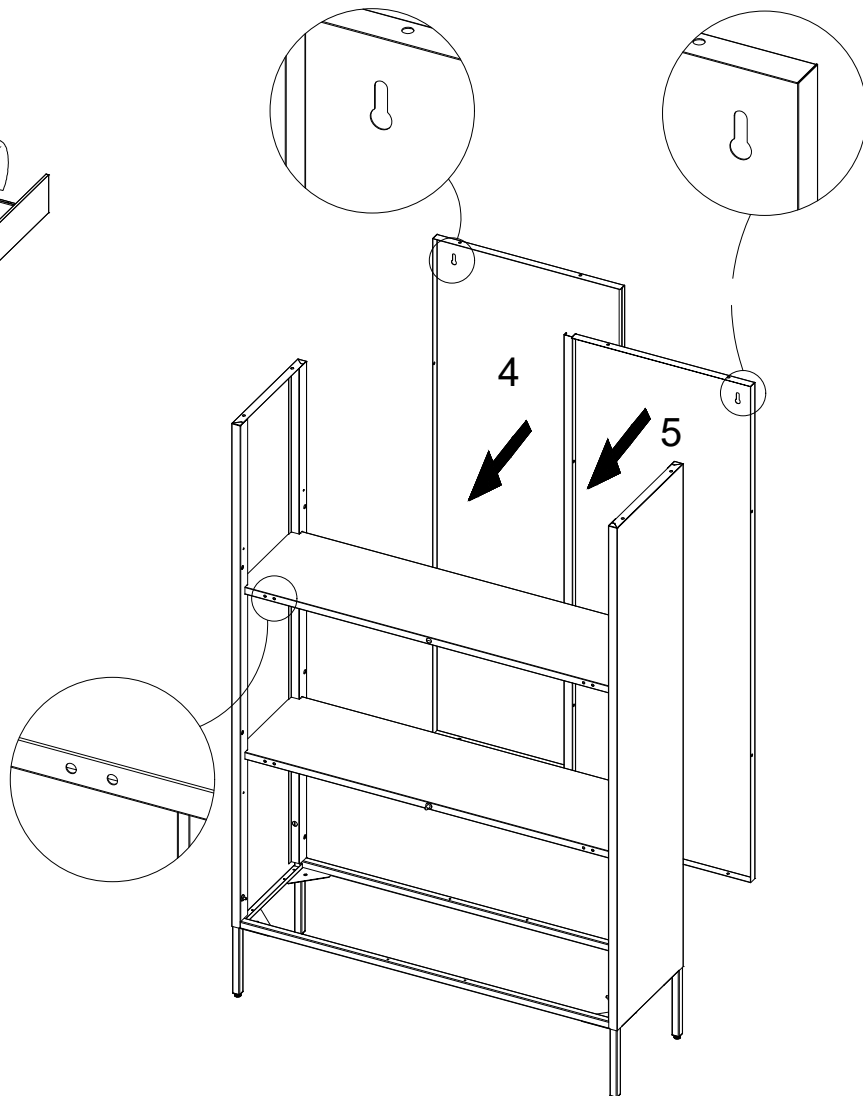
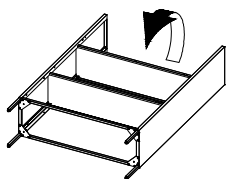
3



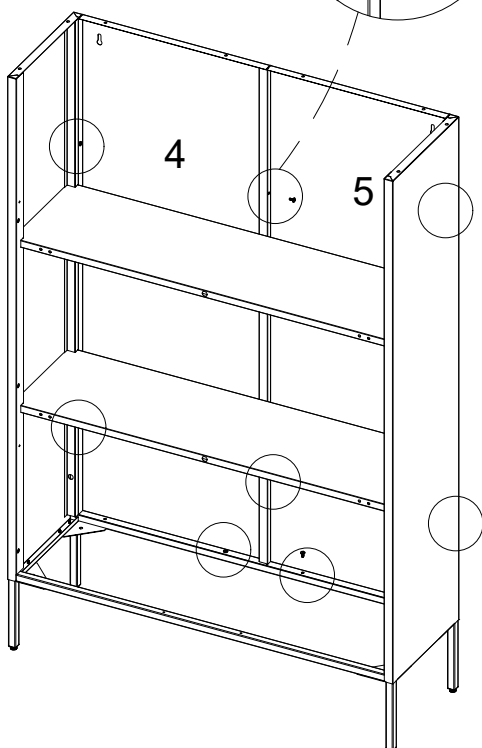
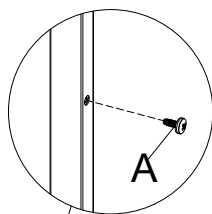
4



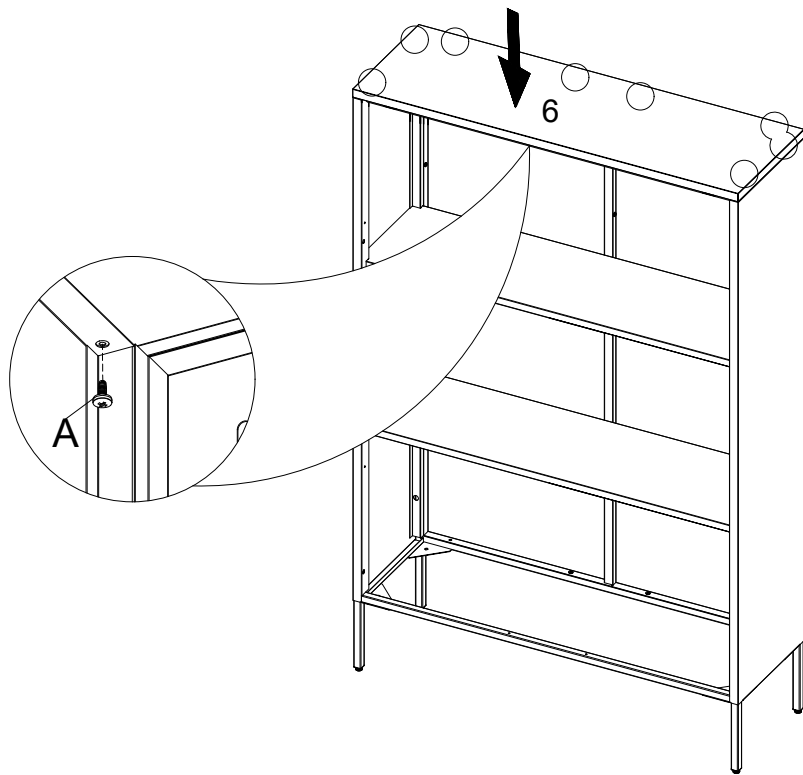
5



6



7

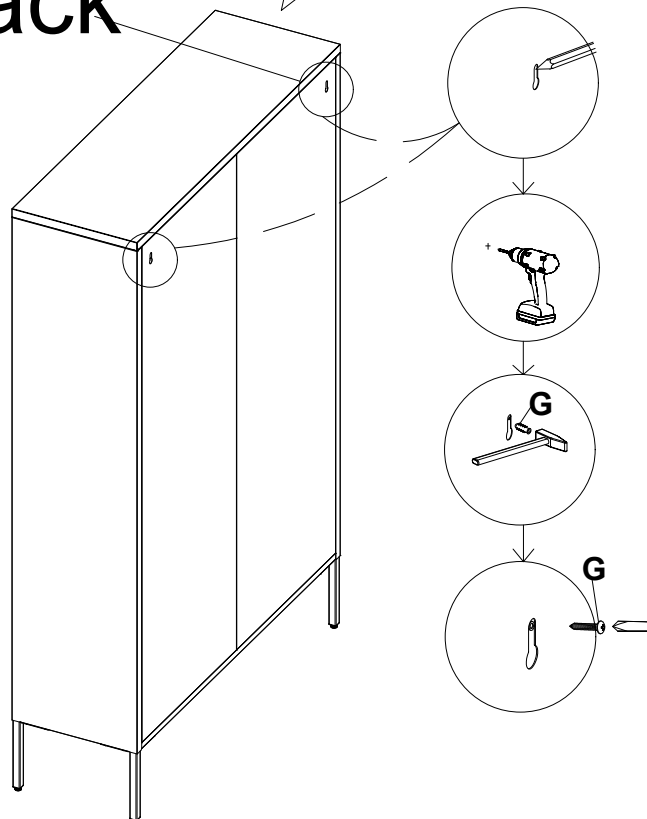


8

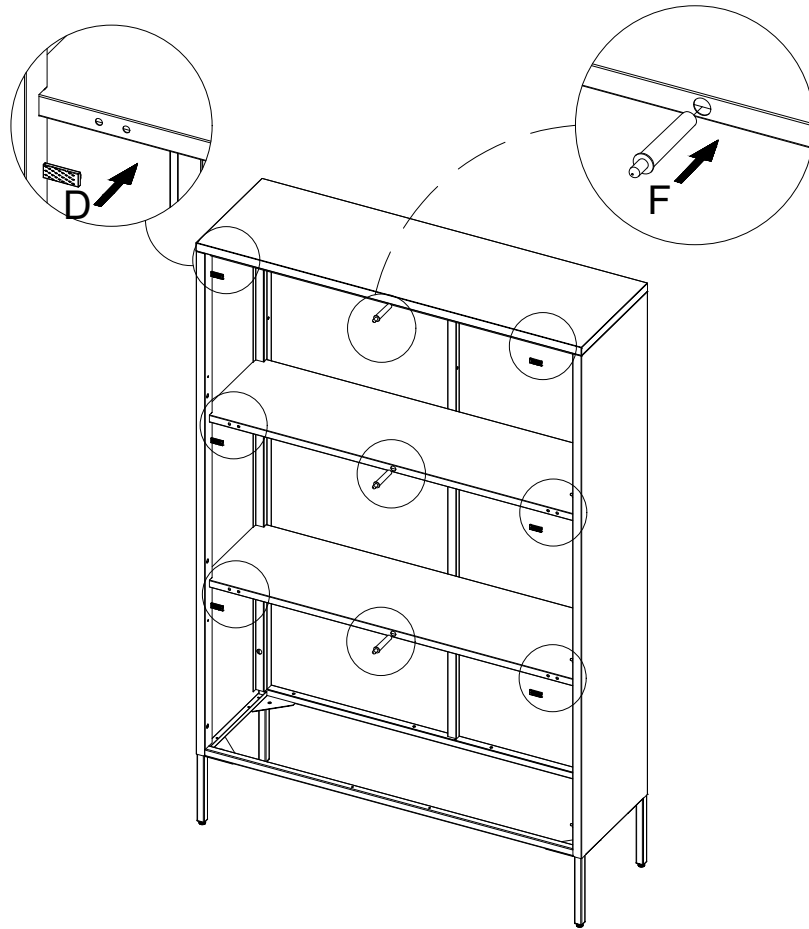


This step is to connect the cabinet to the wall, if you do not need to ignore it

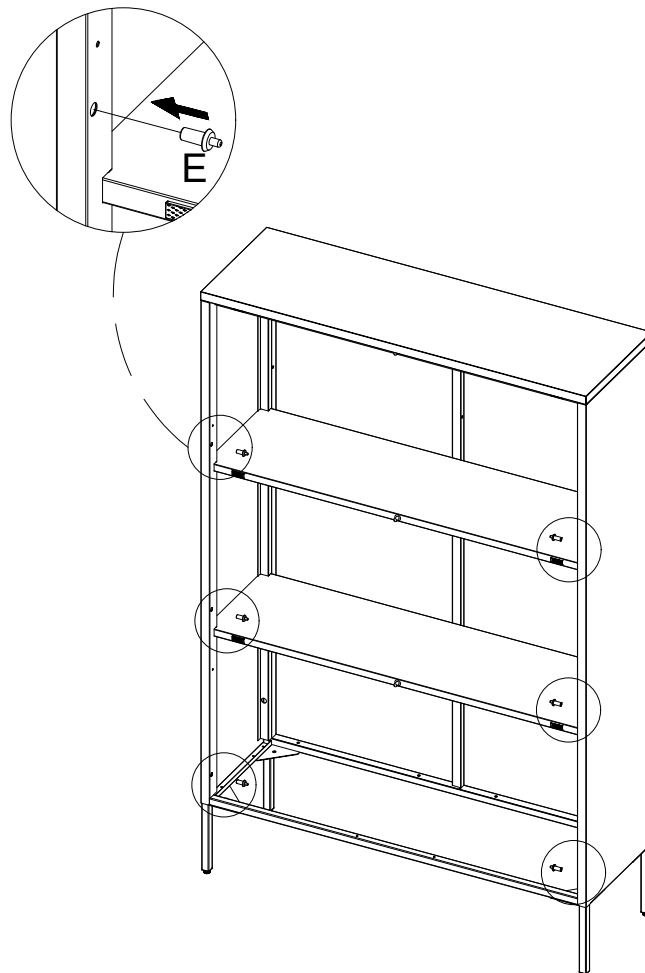
back



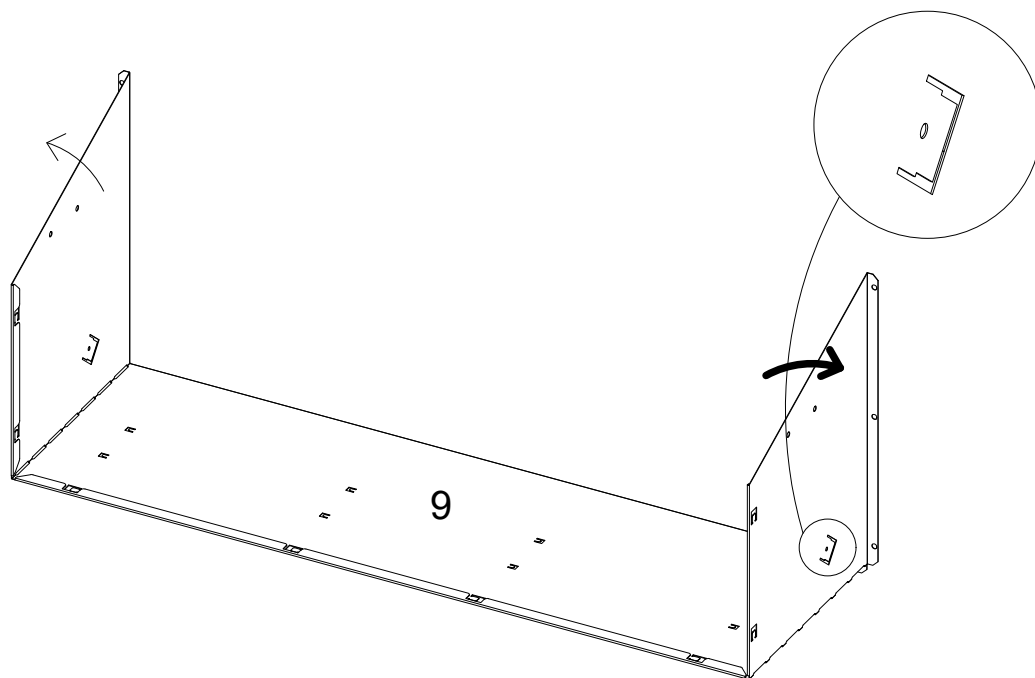
9



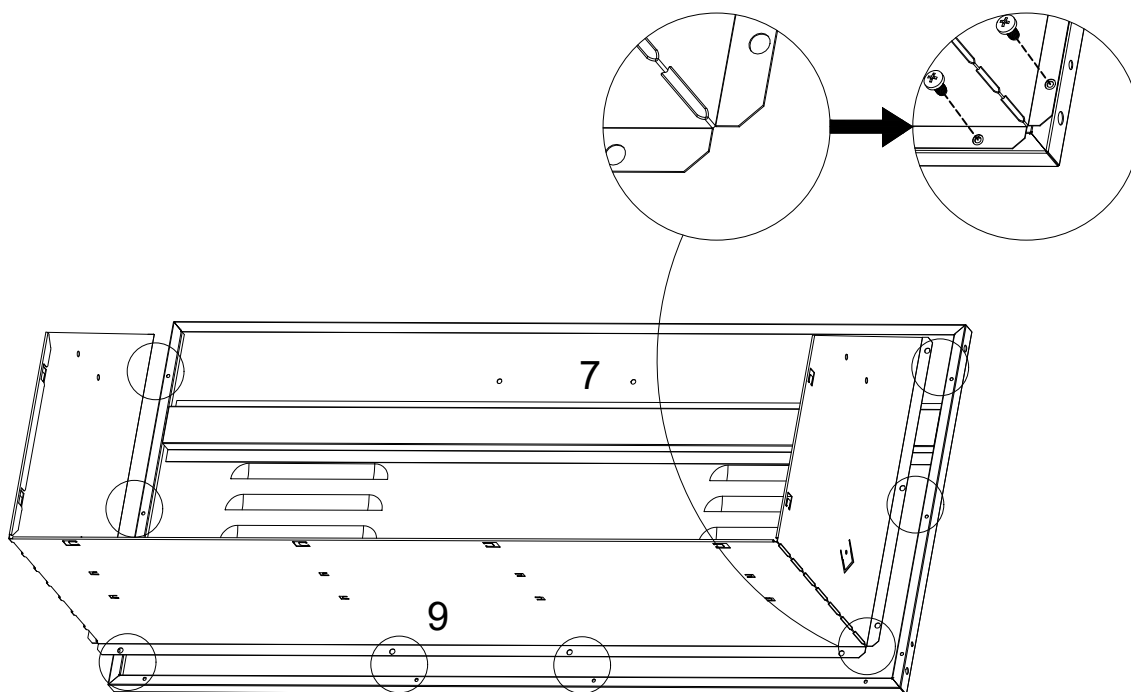
10



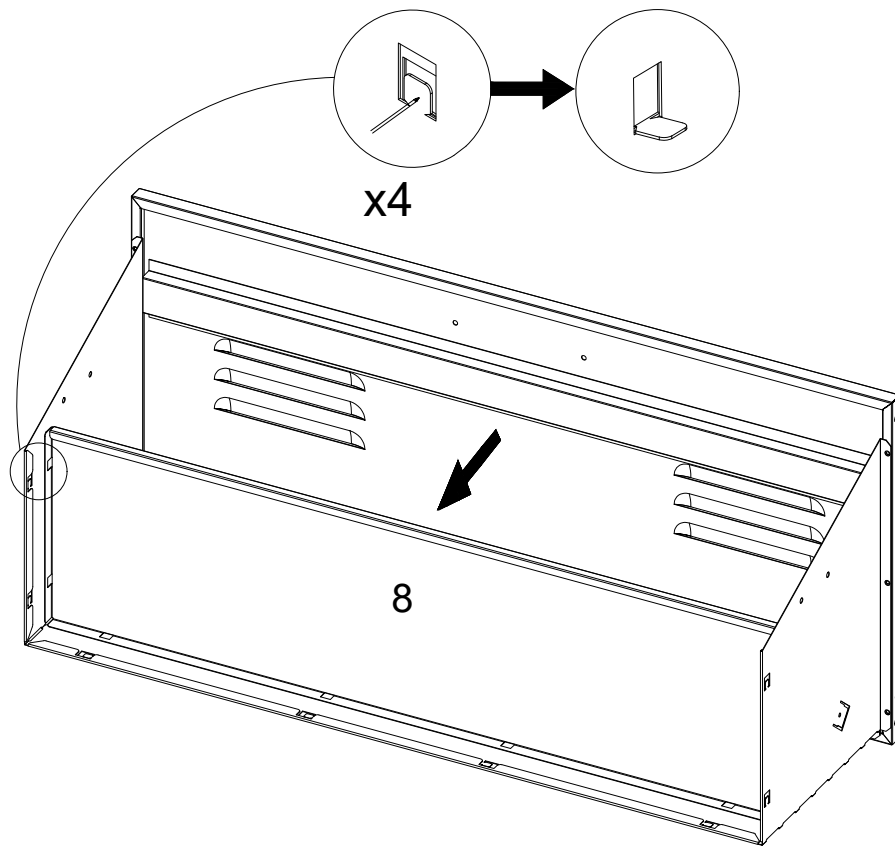
11



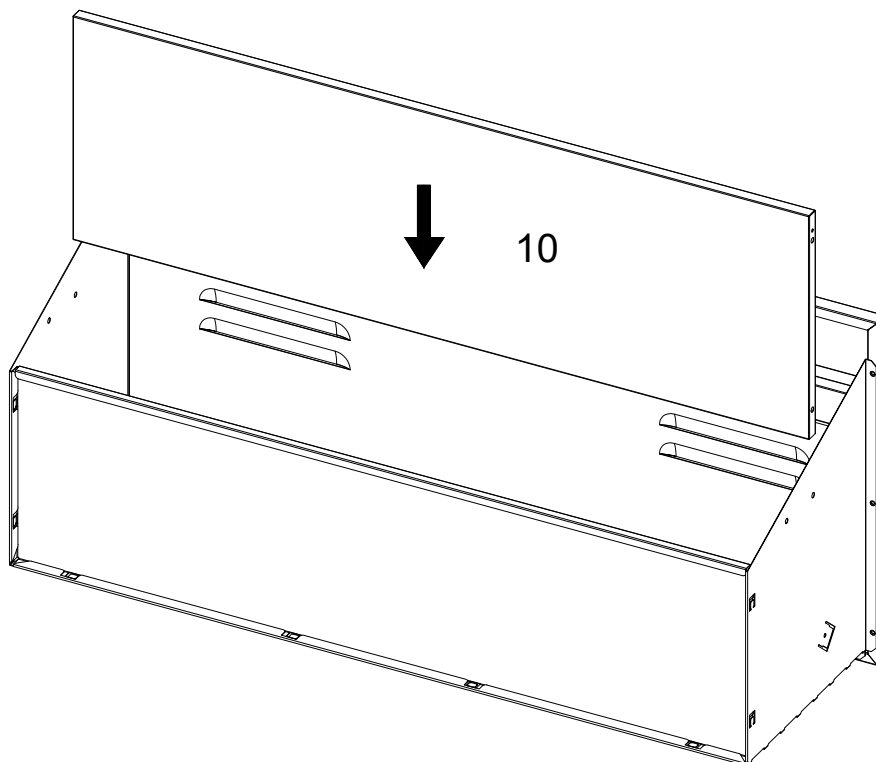
12



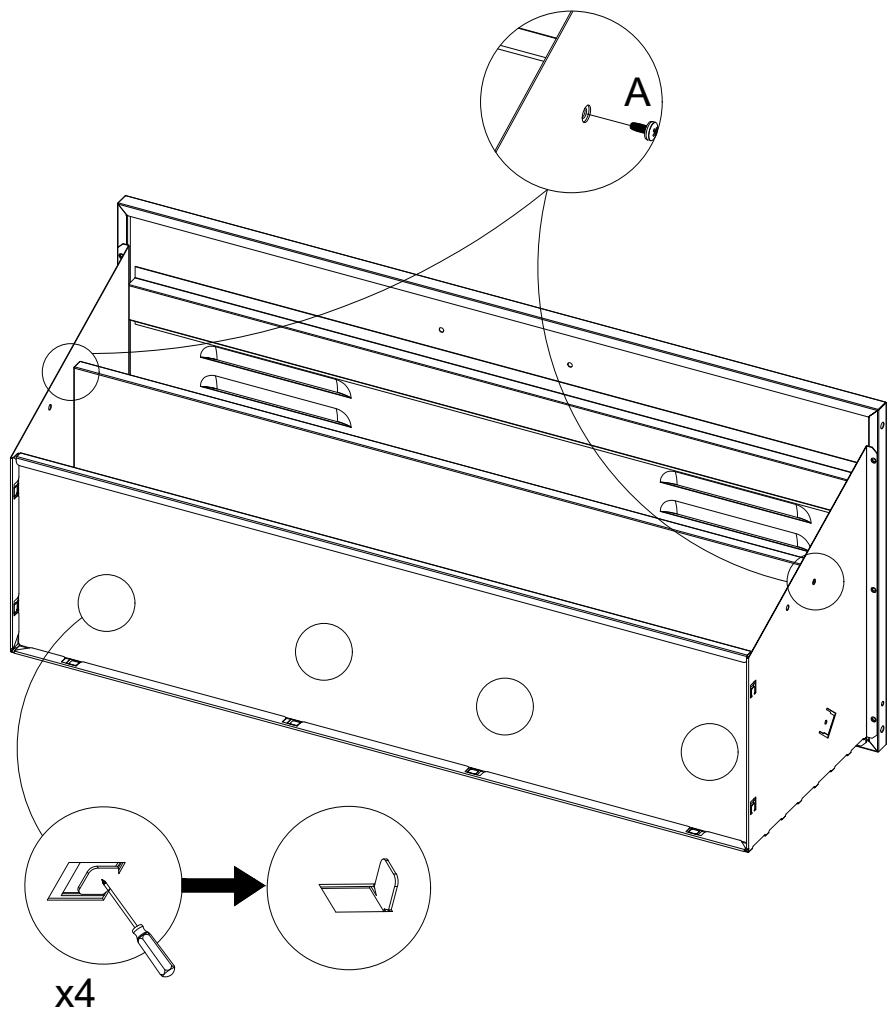
13



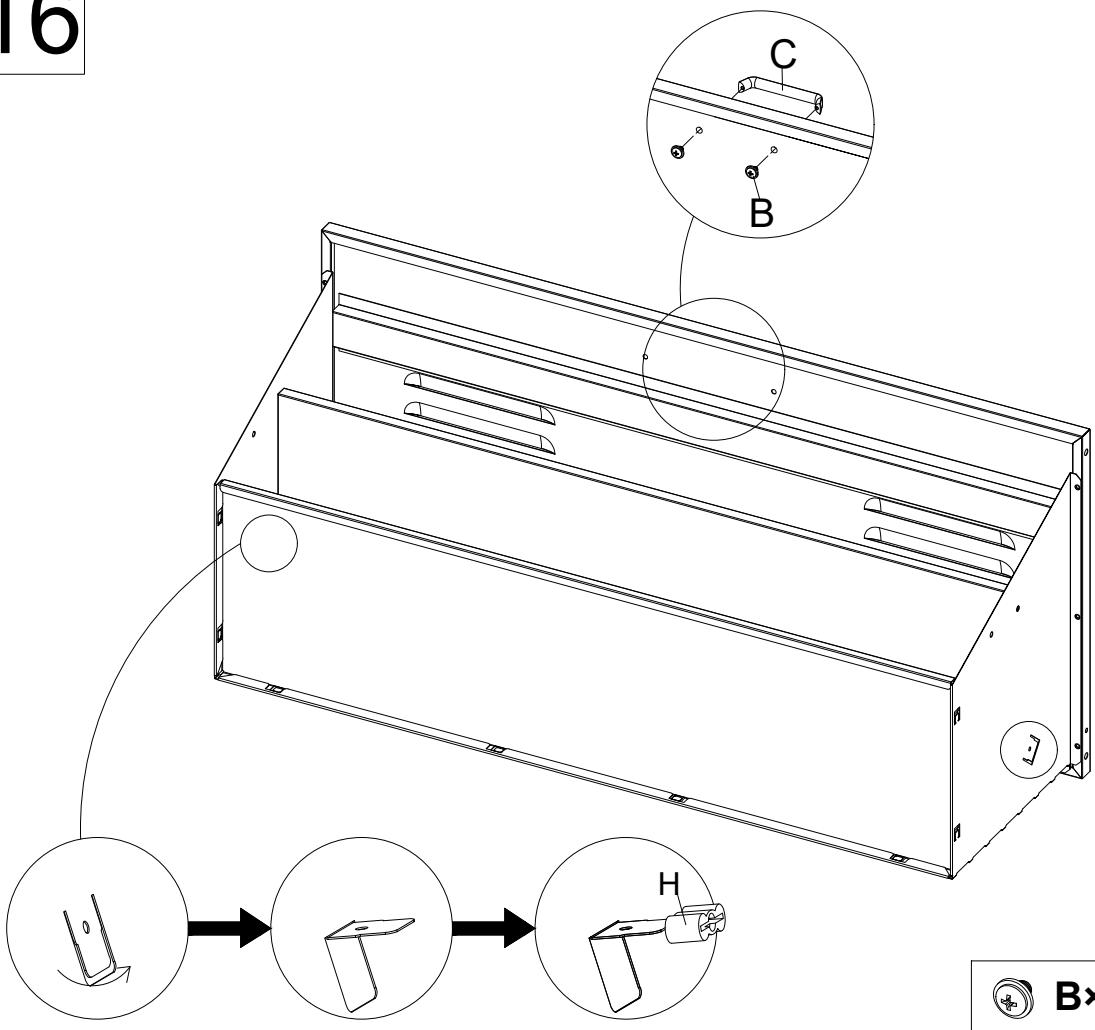
14



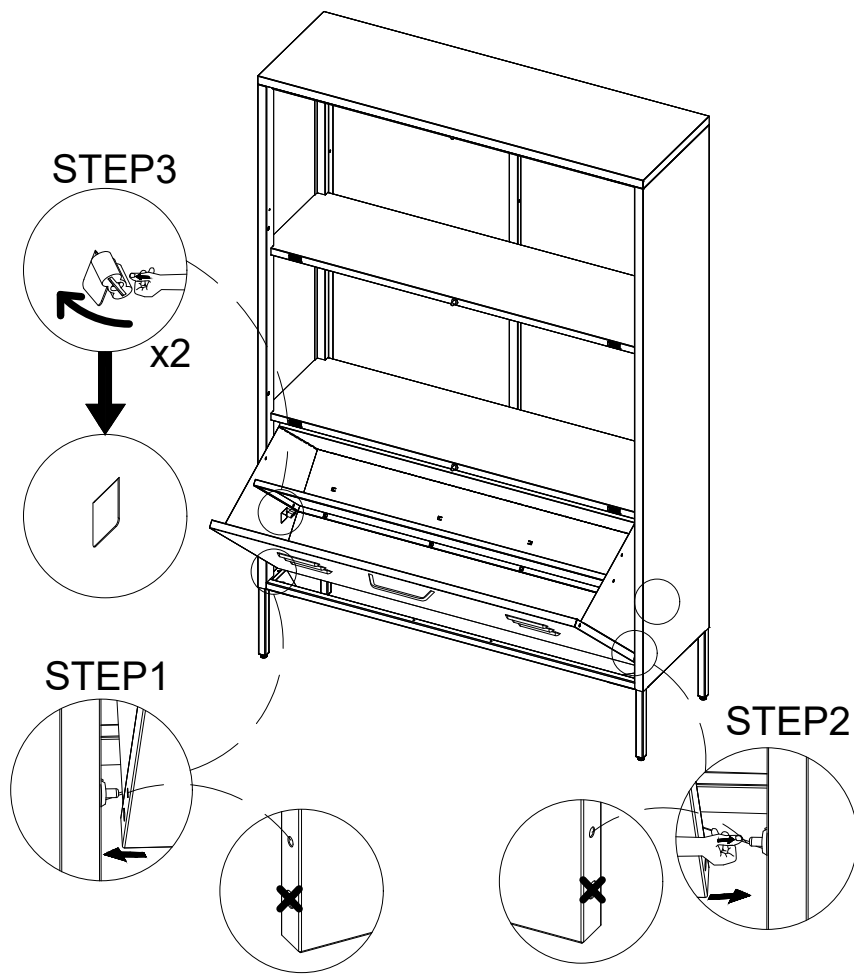
15



16



17



18

