



## LIGHT SOURCE DATA

- 2 x 60W Max E14 SES (required)
- Lamp direction - Indirect
- Non-dimmable
- Energy range: A++, A+, A, B, C, D, E

## DIMENSION DATA

- Height 470mm
- Diameter 210mm

## SPECIFICATION

- 
- Brushed nickel plate and grey cotton
- IP20
- In-line On/Off Switch
- Class II - Double Insulated, No Earth
- 240V
- Assembly required? No
- 1.3m length cable from base to plug

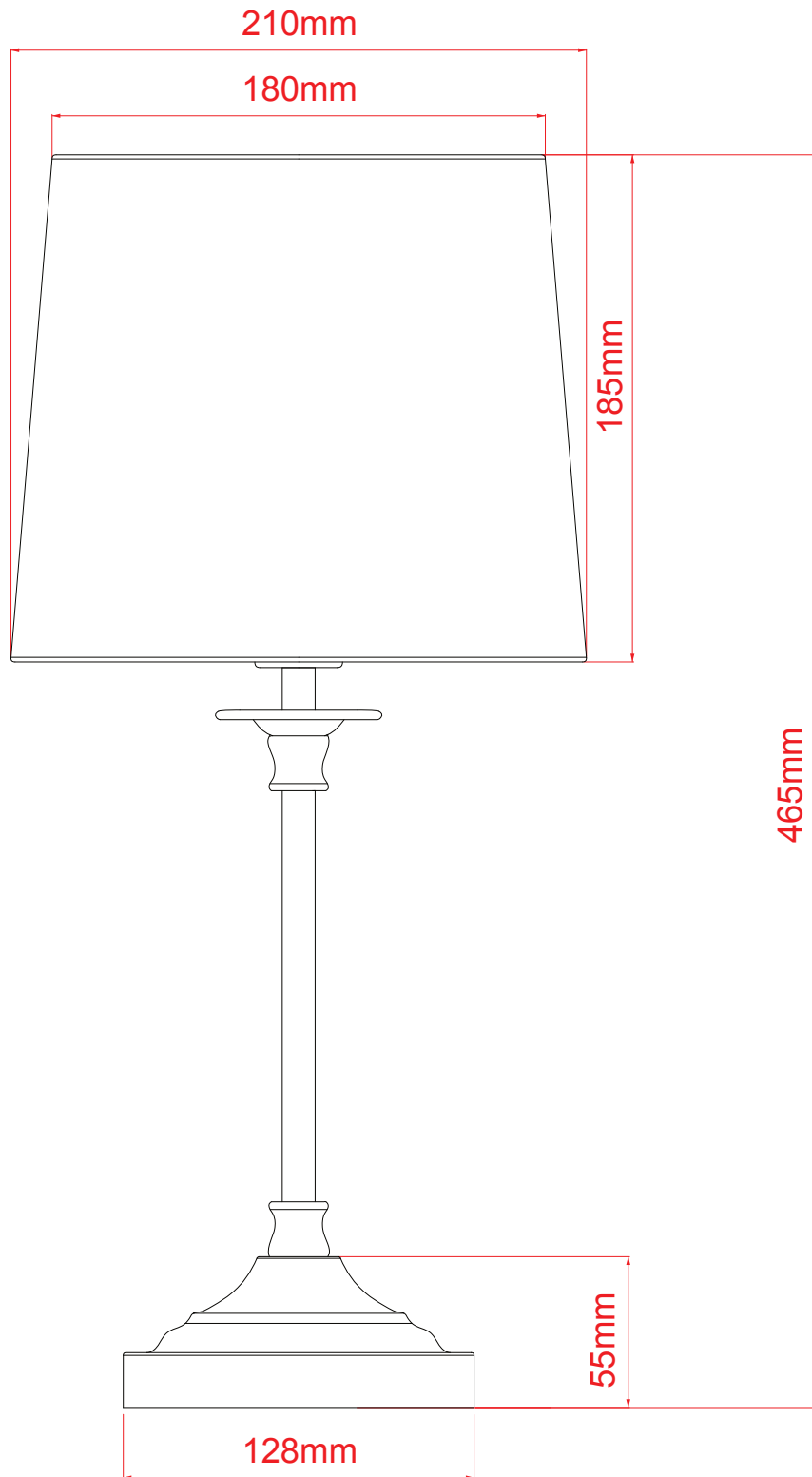
## CERTIFICATION



## CONTACT

[www.firstchoicelighting.co.uk](http://www.firstchoicelighting.co.uk)

[info@firstchoicelighting.co.uk](mailto:info@firstchoicelighting.co.uk)



## CERTIFICATION



## CONTACT