

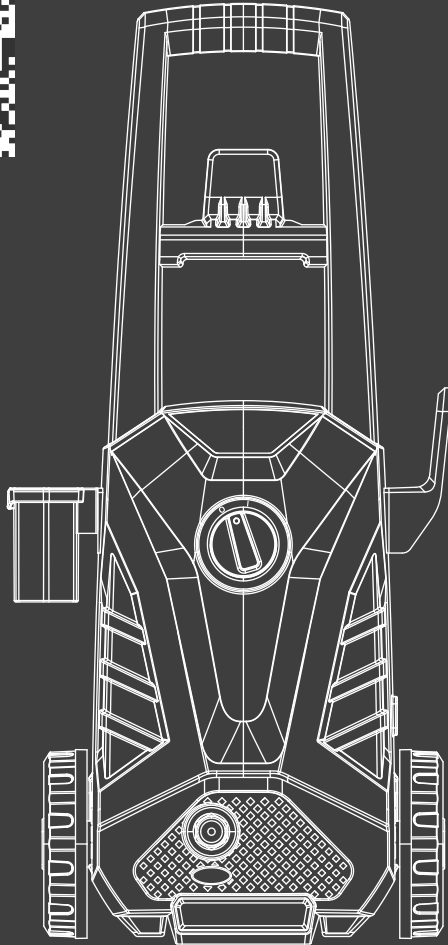
Electric Pressure Washer

Instruction Manual



XCJ-K01-BU

XCJ-K01-GN



✉ HJ-Customer-Service@outlook.com

☎ (909)637-7665 | (909)637-7593

EST 9:00AM--17:00PM

Safety Instructions

Danger

- Never touch the plug or the socket with wet hands.
- The appliance should not be used if the power cord or any critical components (e.g., high-pressure hoses, spray gun, or safety devices) are damaged.
- Check the power cord and plug for damage before each use. If the power cord is damaged, please contact our after-sales service.
- Check the high-pressure hose for damage before each use. If the hose is damaged, arrange for its replacement.
- Do not use the appliance in areas where there is a risk of explosion.
- High-pressure jets can be dangerous if misused. Never direct the jet at people, animals, live electrical equipment, the appliance itself, or use it to clean clothing or footwear.
- Never use the appliance to clean objects containing hazardous substances (e.g., asbestos).
- Vehicle tires and tire valves can be damaged by the high-pressure jet and may burst.
- Maintain a distance of at least 30 cm when cleaning with the jet.
- If you need to use an extension cord, ensure it is watertight and keep it away from water, especially the plug and socket.
- Using an unsuitable extension cord can be hazardous. Only use extension cords that are specifically approved for outdoor use.
- Always fully unwind the extension cord from the cord reel before use.
- Avoid overusing extension cords. Prolonged use of extension cords can cause unstable currents, which may lead to circuit tripping or damage to the appliance.
- Please do not use substandard high-pressure hoses, fixtures, and couplings.

Safety Instructions

- Before use, inspect power outlets and circuits for any signs of damage or wear, and ensure that the power supply complies with IEC 60364 standards.
- Prevent overloading. Avoid connecting multiple high-power appliances to the same outlet simultaneously, as this may exceed the outlet's capacity and pose a safety risk.
- Avoid water-electrical contact. Keep the appliance away from water during operation to protect electrical components and prevent electric shock or damage.
- Check the critical components (e.g., power cord and plug, high-pressure hoses, spray gun, or safety devices) for damage before each use. If there is any problem, please contact our after-sales service.
- If the appliance experiences extended downtime, turn it off and unplug it from the socket.
- Keep the power cord away from heat, oil, and sharp edges.
- This appliance is not intended for use by persons with reduced physical, sensory, or mental capabilities.
- The appliance must not be operated by persons who have not been properly instructed, and prevent children from playing with the appliance.
- This appliance is designed for use with detergents supplied or recommended by the manufacturer. Other detergents or chemicals may pose safety risks.
- When using the appliance, be aware of your surroundings and ensure others keep a safe distance or are wearing safety equipment.
- Wear protective clothing and safety goggles to protect against splashback of water or dirt.
- Avoid prolonged usage. Allow the device adequate rest time to prevent overheating and damage.

- Perform regular maintenance. Regularly clean and maintain the device, including cleaning nozzles and inspecting hoses and filters, to ensure optimal performance and safety.
- If any abnormalities are detected, such as unusual noise, odors, or power issues, stop using the device immediately.
- Do not operate the appliance at temperatures below 32°F (0°C).
- Avoid cleaning painted surfaces to prevent damage.
- Never leave the appliance unattended while it is in operation.
- Oily cleaning tasks, such as engine and undercarriage washes, should only be carried out at stations with an oil separator.

TABLE OF CONTENTS

1. SPECIFICATIONS

2. KNOW YOUR PRODUCT

3. PRESSURE WASHER INSTALLATION INSTRUCTIONS

3.1. Handle Assembly

3.2. Spray Gun Holder Assembly

3.3. Power Cord Holder Assembly

4. SPRAY GUN ASSEMBLY INSTRUCTIONS

4.1. Spray Wand Assembly

4.2. Nozzle Assembly

4.3. Attaching the High-Pressure Water Hose to the Spray Gun

4.4. Attaching the High-Pressure Water Hose to the Machine

4.5. Select the Right Nozzle for the Job

4.6. Install the Detergent Tank

5. ATTACH GARDEN HOSE TO WATER SUPPLY

TABLE OF CONTENTS

6. OPERATION

6.1. Before Operation

6.2. Using the Pressure Washer

6.3. Using Nozzles

6.4. Interrupting Operation

6.5. Finishing Operation

7. FROST PROTECTION

8. MAINTENANCE

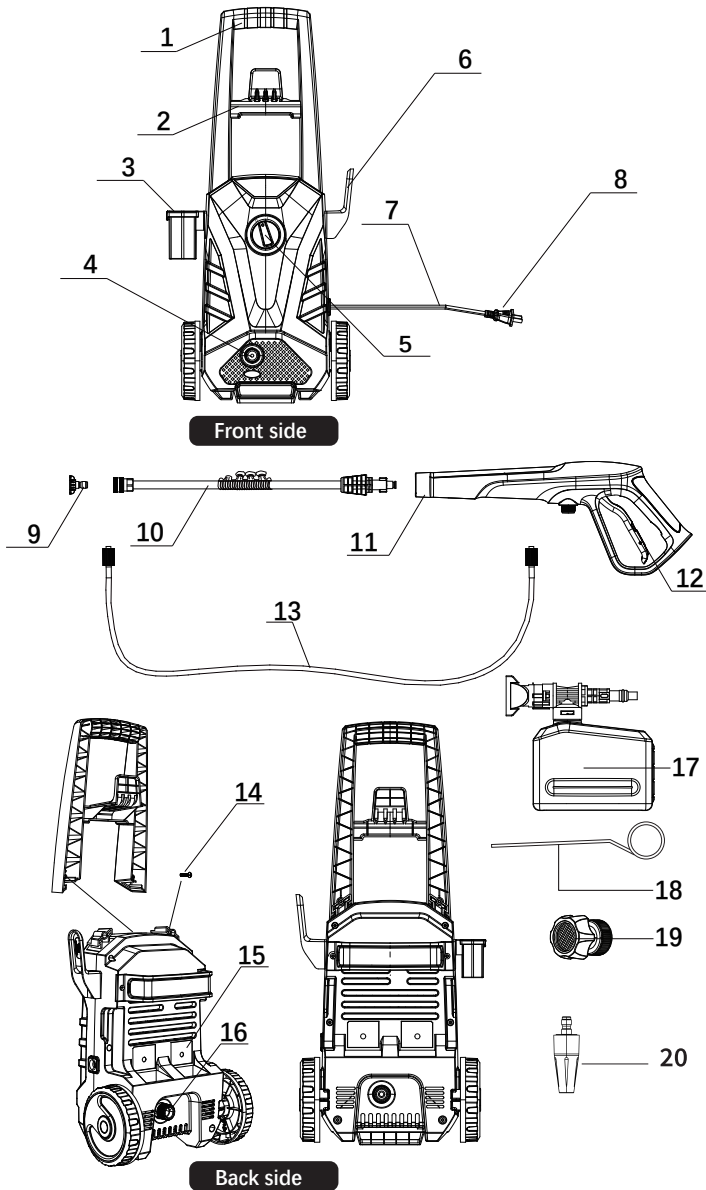
9. TROUBLESHOOTING

SPECIFICATIONS

Voltage:	120V
Maximum Pressure:	2100PSI
Max Flow Rate:	2.0GPM
Input Power:	1430W
Output Power:	970W
Nozzle Material:	Metal
Nozzle Types:	0°, 15°, 25°, 40°, and a turbo nozzle (5 nozzles)
Detergent Tank Capacity:	500 ml
Waterproof Rating:	IPX5
Operating Environment:	Air Temperature: 32°F–104°F (0°C–40°C)

The above data are all reference values and not absolute values. The data are sourced from the testing laboratory. In actual use, the values may vary slightly due to different usage methods .

KNOW YOUR PRODUCT



1. Handle
2. Front hook
3. Spray gun hook
4. Water outlet
5. ON/OFF Switch
6. Power cord hook
7. Power cord
8. Power cord plug
9. Nozzle
10. Spray wand
11. Spray gun
12. Spray gun trigger
13. High-pressure hose
14. Fixing screw*2
15. Rear hook
16. Water inlet
17. Detergent tank
18. Nozzle cleaning needle
19. Garden hose adapter
20. Turbo nozzle

PRESSURE WASHER INSTALLATION INSTRUCTIONS

3.1. Handle Assembly

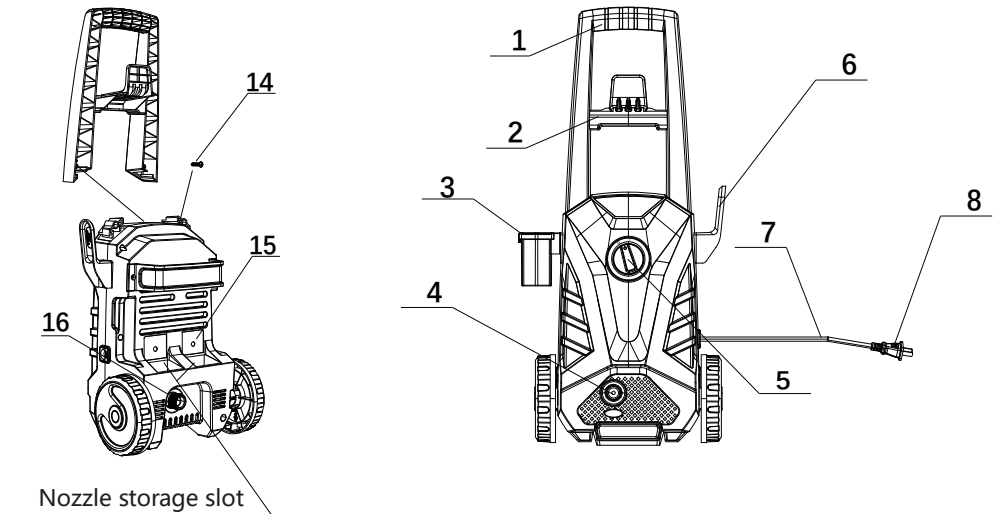
Attach the handle (1) to the designated position on the machine and secure it using screws(14)

3.2. Spray Gun Holder Assembly

Attach the spray gun hook (3) to the left side of the machine.

3.3. Power Cord Holder Assembly

Attach the power cord hook (6) to the right side of the machine.



SPRAY GUN ASSEMBLY INSTRUCTIONS

4.1. Spray Wand Assembly

Insert the spray wand into the spray gun and rotate it until the two parts are securely locked.

4.2. Nozzle Assembly

Attach the nozzle onto the spray wand and press it until the two parts are securely locked.

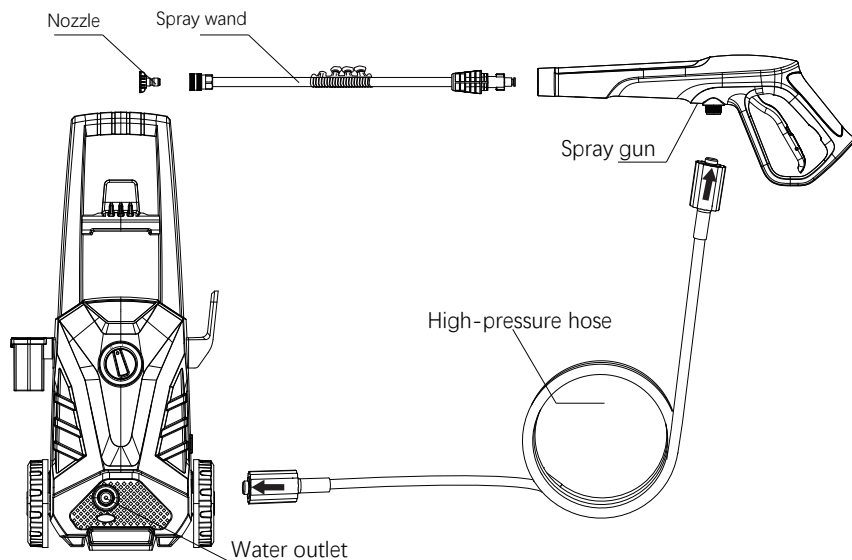
⚠️ Note: The different-sized nozzles are stored in the storage slot on the pressure washer. To prevent losing them, return used nozzles to the storage slot.

4.3 Attaching the High-Pressure Water Hose to the Spray Gun

Connect one end of the high- pressure hose to the spray gun.

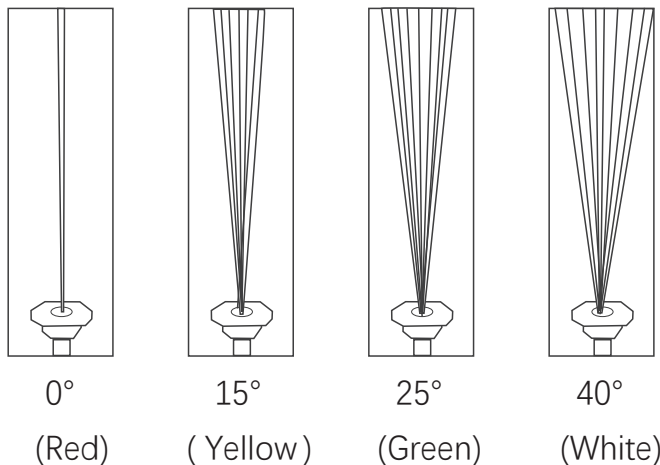
4.4 Attaching the High-Pressure Water Hose to the Machine

Connect the other end of the high- pressure hose to the pressure washer.



SPRAY GUN ASSEMBLY INSTRUCTIONS

4.5. Select the Right Nozzle for the Job



① The 0° intense-jet nozzle (Red) is a powerful nozzle that delivers a high-pressure, pencil-point jet stream. It cuts through heavy dirt deposits in a small, concentrated area. It is ideal for removing stubborn substances like tar and grease spots on concrete or for removing caked mud from equipment. Use this nozzle to clean hard-to-reach areas, including the facades of 2-story buildings or the undersides of lawn mowers and tractors.

⚠ NOTE: Take care when choosing the right nozzle to avoid permanently gouging wood or damaging delicate surfaces.

SPRAY GUN ASSEMBLY INSTRUCTIONS

- ② Use the 15° fan-tip nozzle (Orange) for intensive cleaning on hard surfaces. It is ideal for stripping paint and removing oil stains, grease, heavy mildew stains, and rust from steel. This nozzle should only be used on surfaces that can withstand its high pressure.

- ③ Use the 25° fan-tip nozzle (Green) to clean home siding, brick patios, wood decks, driveways, or sidewalks. When using this nozzle, test a small area first to avoid surface damage.

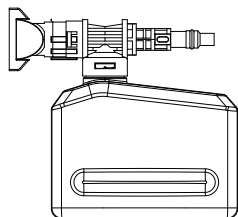
- ④ Use the 40° wide-spray tip nozzle (White) for cleaning cars, trucks, boats, patio furniture, or lawn equipment. This nozzle provides a gentler spray suitable for more delicate surfaces.

- ⑤ Use the turbo nozzle for cleaning decks, moss, concrete surfaces, and other durable outdoor areas. This nozzle delivers a dynamic, swirling water pattern that efficiently tackles stubborn dirt and grime, making it ideal for high-impact cleaning on robust surfaces.

SPRAY GUN ASSEMBLY INSTRUCTIONS

4.6. Install the Detergent Tank

Use the detergent tank for applying detergent at low pressure to clean equipment, remove mildew and oxidation stains from houses, clean bricks, or degrease grimy surfaces.



⚠ WARNING

Do not use household detergents, acids, alkaline substances, bleaches, solvents, flammable materials, or industrial-grade solutions in the detergent tank

⚠ WARNING

Follow the instructions on the solution bottle to prepare the detergent.

⚠ NOTE

If necessary, use a funnel to fill the detergent tank to avoid spills.

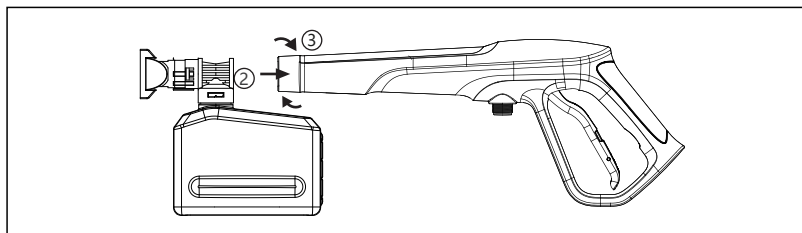
- ① Add the detergent to the detergent tank.
- ② Install the detergent tank onto the gun.
- ③ Turn the gun clockwise to tighten.

⚠ NOTE

When using detergent, ensure the correct detergent tank is installed. Other colored nozzles are not compatible with detergent application.

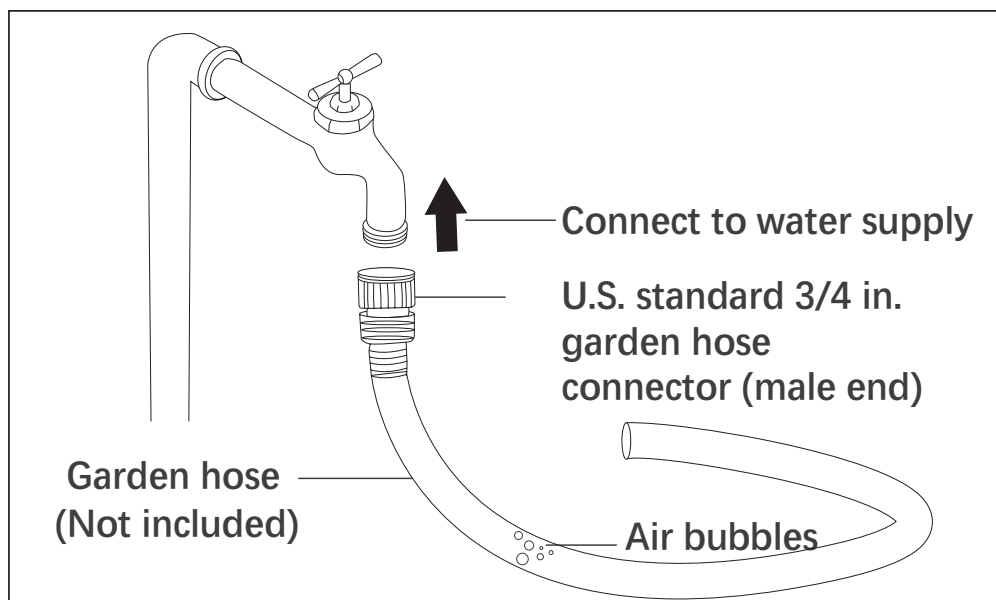
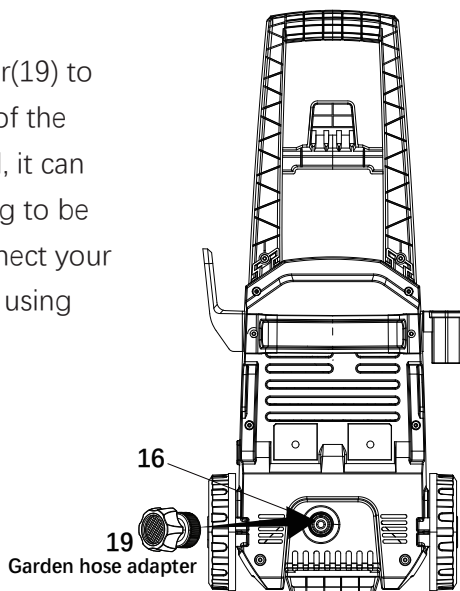
⚠ NOTE

To prevent streaking, do not let the detergent dry on the surface.



ATTACH GARDEN HOSE TO WATER SUPPLY

Attach the garden hose adapter(19) to the water inlet(16) at the back of the pressure washer (once installed, it can remain in place without needing to be removed) and then simply connect your own water supply hose to start using the machine.



- ⚠ NOTE:** If the high-pressure spray gun does not spray water or the pressure is uneven when starting the machine, air bubbles in the water pipe may be affecting the water pressure. Follow these steps to resolve the issue:
1. Wait for the water to completely fill the entire water pipe.
 2. Press the spray gun trigger to release any trapped air from the system.
 3. Wait for the water pressure to stabilize before resuming normal operation.

Water Supply

Water Source Options:

1. Direct Connection: Connect the washer directly to a faucet or valve, allowing water to flow automatically into the pump head.
2. Suction from a Container: Use a water bucket or reservoir, where the washer draws in water through suction.

Advantages of a Faucet:

1. Consistent Water Supply: Faucets provide a steady and sufficient water flow, ensuring higher pressure during operation.
2. Better Water Quality: Tap water generally contains fewer impurities, reducing the risk of clogging in the pump head and nozzles.

Drawbacks of a Bucket/Reservoir:

1. Limited Water Supply: The water flow is often less stable compared to a faucet, which may affect the washer's performance.
2. Risk of Clogging: Impurities from the bucket or reservoir can be drawn into the system, leading to potential blockages in the pump head, spray gun, and nozzles.

⚠ WARNING:

To optimize water suction from a bucket, follow these guidelines:

1. The suction hose should not exceed 2 meters in length.
2. The water bucket should not be taller than 50 cm.
3. Position the bucket on a level surface, ensuring it is aligned with the machine.

OPERATION

Before Operation

1. Before use, inspect the device for loose screws or nuts.
2. Check the pipe joints and high-pressure hoses for damage. Replace any damaged parts immediately to avoid the risk of explosion.
3. Connect the water inlet pipe securely to ensure an airtight seal.
4. Set the cleaning machine's switch to the "O" (OFF) position before connecting it to a power outlet. If using an extension cord, ensure it is suitable for outdoor use and that any connections are protected from water exposure.
5. During cleaning, grip the spray gun handle firmly with one hand and steady the connection between the spray wand and spray gun with the other. Be aware of recoil force and rotational torque when pulling the trigger.
6. Avoid twisting the high-pressure hose. Keep it extended and straightened as much as possible.
7. The spray gun trigger has a safety latch. When not in use, always set the trigger to the safety lock position.
8. After spraying, release the pressure before cleaning, inspecting, or maintaining the machine. If idle for more than 10 minutes, follow the steps on page 15 under '**Finishing Operation**' to shut down the machine and disconnect the high-pressure hose.

OPERATION

⚠ Danger

When the water jet is discharged, the spray gun will experience recoil force. Ensure you have a firm footing and grip the spray gun and spray wand securely.

⚠ NOTE:

1. Move the spray gun to spray and clean the object at a 45° angle to avoid splashing back.

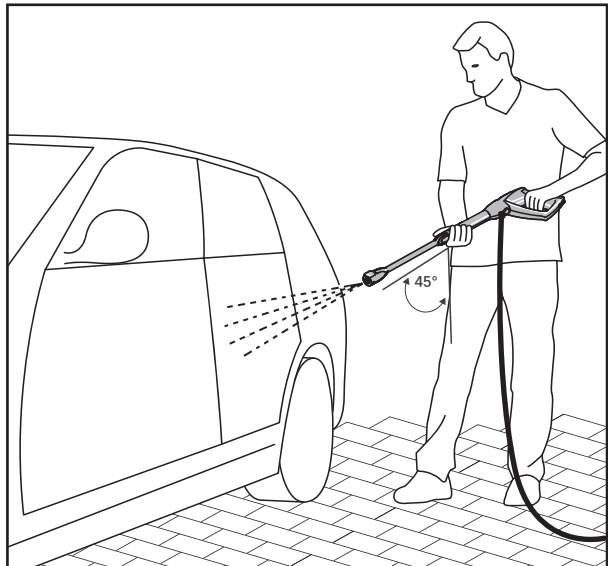
2. Ensure the high-pressure spray gun remains at least 0.9 ft (30 cm) away from the vehicle's tires and valve stems during cleaning to prevent damage from high-pressure spraying. Signs of damage may include tire discoloration.

3. When cleaning, keep the high-pressure spray gun nozzle at least 3.3 ft (1 m) away from the surface being cleaned (e.g., the vehicle body) to ensure sufficient water pressure for effective dirt removal without causing surface damage.

4. As shown in the right figure, always use both hands to hold the spray gun when working.

5. Do not use a 0° nozzle to clean the car surface directly. Use a 40° nozzle for vehicle cleaning.

6. Do not spray water onto yourself or others to clean clothes or shoes.

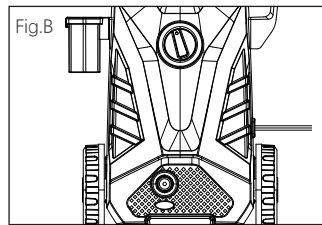
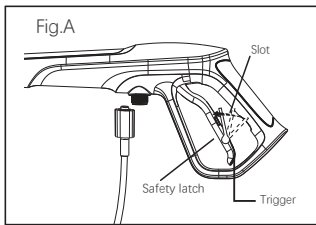


OPERATION

Using the Pressure Washer

1. Turn the water supply tap fully on.
2. Ensure the safety latch is in its original unlocked position, then press the trigger for a few seconds until the water flow is steady. This will release trapped air and discharge any residual pressure from the hose (Fig. A).
3. Turn the ON/OFF switch to the "I"(ON) position to start the pressure washer (Fig. B).
4. When restarting the motor, keep the trigger pressed.

⚠ NOTE: The motor runs only when the trigger is pressed and shuts off when the trigger is released.



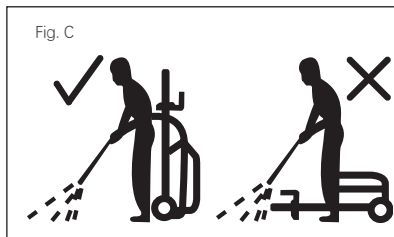
⚠ IMPORTANT!

The pressure washer should be placed on a stable, secure surface in an upright standing position (Fig. C).

⚠ Danger!

The spray gun experiences recoil when the water jet is discharged. Ensure that you have a firm stance and hold the spray gun and spray wand securely.

Place the machine as close to the water source as possible.



OPERATION

Using Nozzles

Before beginning any cleaning task, choose the appropriate nozzle for the job, as each nozzle has a different spray pattern.

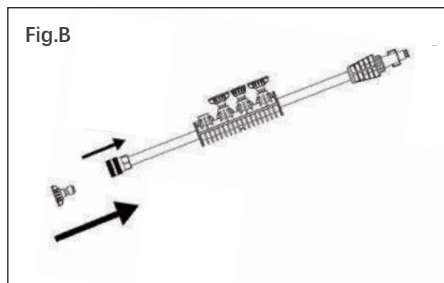
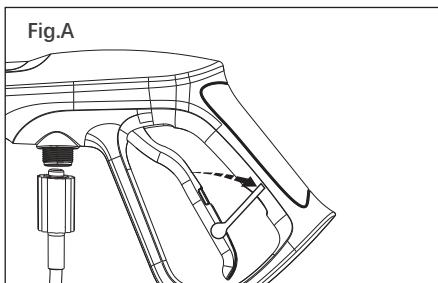
CAUTION! NEVER change nozzles without locking the safety latch on the trigger.

⚠ WARNING!

High-pressure jets can be dangerous if misused. Do not direct the jet at people, pets, live electrical equipment, or the appliance itself. This electric pressure washer is equipped with five quick-connect nozzles, which easily attach to the quick-connect collar on the spray wand.

To change the nozzle on the spray wand:

1. Turn off the pressure washer and shut off the water supply. Pull the trigger to release water pressure.
2. Engage the safety latch on the trigger by pushing it upward until it clicks into place (Fig. A).
3. Attach the desired nozzle to the quick-connect collar until it clicks into place (Fig. B).



OPERATION

Recommended cleaning agents for use in the detergent tank:

1. For washing cars: We recommend Meguiar's Super Concentrated Car Wash. This specially formulated detergent is designed to remove dirt and impurities while restoring your car's shine. It is also eco-friendly and helps protect against minor scratches. Mix it with water at a ratio of 1:128 (detergent to water).

2. For cleaning decks: We recommend Bona Cleaner. Mix the cleaner with water at a ratio of 1:7 (cleaner to water) to effectively remove stains and dirt without causing pollution.

3. For cleaning metal surfaces: We recommend Brasso Cleaner. It is generally advised to mix Brasso Cleaner with water in a 1:1 ratio (cleaner to water) for cleaning metal surfaces.

4. Please refer to the instructions on the selected cleaning agent before use.

Note:

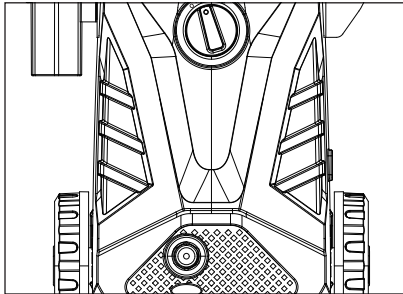
Consider the type of surface you will be cleaning, as different surfaces require different cleaning agents. For example, the detergent used for cleaning a car may differ from the one needed for cleaning a deck. Look for eco-friendly and biodegradable cleaning agents, as they are better for the environment and less likely to harm plants or animals.

Pay attention to the concentration of the cleaning agent. Some are highly concentrated and need to be diluted before use. Always follow the manufacturer's instructions for dilution ratios. Before applying the cleaning agent to a larger area, test it on a small, inconspicuous spot to ensure it is effective and won't damage the surface.

OPERATION

Interrupting operation

1. Release the trigger on the spray gun.
2. Lock the trigger.
3. For longer breaks (more than 10 minutes), also turn the appliance off using the "ON/OFF" switch.
4. Place the spray gun back in its holder.



Finishing operation

⚠ CAUTION!

Only separate the high- pressure hose from the spray gun or the appliance while there is no pressure in the system.

1. After using detergent, run the machine for approximately 1 minute for a clear rinse.
2. Release the trigger on the spray gun.
3. Turn off the appliance using the "ON/OFF" switch, and unplug the appliance.
4. Turn off the water supply.
5. Press the trigger to release any remaining pressure in the system.
6. Lock the trigger.
7. Disconnect the appliance from the water supply.

FROST PROTECTION

To prevent damage from freezing, ensure that all water is drained from the appliance and its accessories, as any remaining water can freeze and cause harm; always turn off the appliance immediately after use.

When not in use, store it in a room with a temperature above 0°C to avoid damage.

If you must store your pressure washer in a location where the temperature drops below 32°F (0°C), follow these steps to minimize the risk of damage:

1. Disconnect all water connections.
2. Drain all water from the high-pressure washer.
3. Ensure the high-pressure hose does not become kinked.
4. If the equipment is frozen, do not attempt to start the pressure washer or use methods such as pouring hot water or applying heat to thaw it. These actions can cause cracks due to the rapid temperature change. Allow the equipment to thaw naturally at room temperature.
5. If the high-pressure cleaning equipment becomes frozen and is then operated, it may lead to deformation and damage of critical components, such as the spring and valve cover inside the high-pressure pump. In severe cases, this can result in the pump cracking and water pipes bursting.
6. Freezing can also damage the seals within the high-pressure pump, thereby reducing its sealing performance.
7. To prevent freezing damage to components that come into contact with water—such as the pump head, high-pressure hose, and spray gun—it is advisable to use an appropriate antifreeze.

FROST PROTECTION

⚠ WARNING!

Before reuse, thoroughly flush the unit with clean water.

Antifreeze products may damage the paint; therefore, ensure that no antifreeze remains in the system before operating it again.

Avoid storing the unit near a furnace or other heat sources that could dry out the pump seals.

MAINTENANCE

⚠ DANGER!

Turn off the appliance and unplug it before any care and maintenance work.

⚠ WARNING!

When servicing the machine, use only identical replacement parts. Using any other parts may create a hazard or cause product damage.

⚠ WARNING!

Before inspecting, cleaning, or servicing the machine, turn off the unit, unplug it from the power outlet, pull the trigger to release any residual water pressure, and disconnect the high-pressure hose. Failure to follow these instructions may result in serious personal injury or property damage.

GENERAL MAINTENANCE

Avoid using solvents when cleaning plastic parts. Most plastics are susceptible to damage from commercial solvents. Instead, use a clean cloth to remove dirt, dust, oil grease, and other contaminants.

⚠ WARNING!

Never allow brake fluids, gasoline, petroleum-based products penetrating oils, or similar chemicals to come into contact with plastic parts, as these substances can damage, weaken, or destroy plastic, potentially resulting in serious personal injury.

MAINTENANCE

High-Pressure Hose Maintenance

- Avoid kinking the hose.
- Do not drive vehicles over the hose.
- Keep the hose away from sharp edges or corners.

Misuse may cause the hose to balloon or fail prematurely, which will void the warranty.

Nozzle Maintenance

⚠ NOTE: After each use, check if there are any foreign objects blocking the nozzle. Use a cleaning needle to clean it (if necessary).

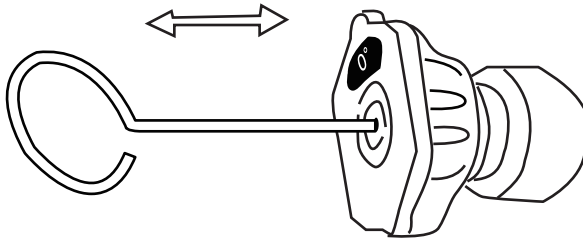
Cleaning Instructions:

Remove the nozzle from the spray gun.

Use a straight paper clip or an appropriate cleaning tool to clear the spray tip.

Rinse thoroughly.

Reinstall the clean nozzle onto the spray wand.

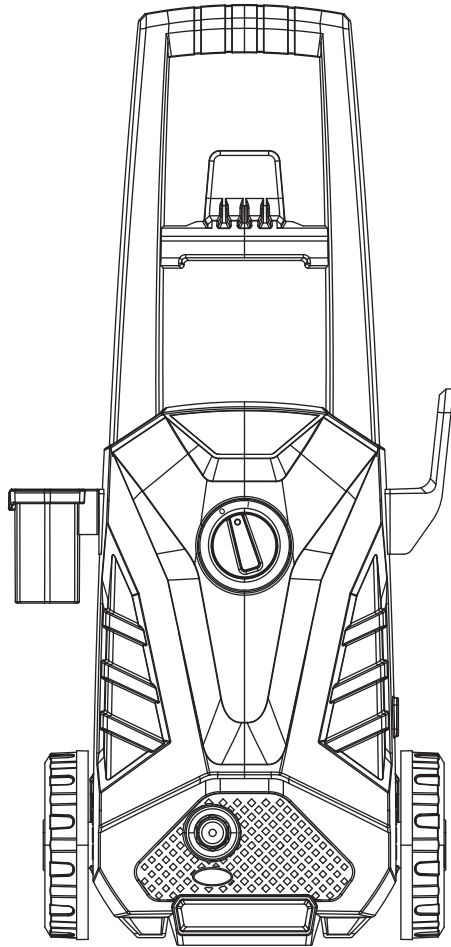


TROUBLESHOOTING

PROBLEM	POSSIBLE CAUSE	SOLUTION
The machine will not start	The machine is not plugged-in	Plug the machine in
	Faulty receptacle	Try another receptacle
	The fuse has blown	Replace the fuse or unplug other appliances
	Faulty extension cord	Try without the extension cord
Fluctuating pressure	The pump is drawing in air	Check that hose and connections are airtight
	Valves dirty, worn or sticking	Contact our after-sales service
	The water supply is not sufficient	Contact our after-sales service
	Pump seals worn	Contact our after-sales service
The machine stops	The fuse has blown	Replace the fuse
	Incorrect mains voltage	Unplug other appliances
	Thermal sensor activated	Check that the mains voltage matches the specifications on the nameplate
	Partially blocked jet	Leave the machine to cool for 5 mins
		Clean the jet with a needle and spray water through the jet

TROUBLESHOOTING

Fuse blown	Fuse too small	Replace it with a fuse with higher amp rating than the washer
	Increase in the amperage	Try without the extension cord
The machine turns on and off by itself	Pump fuse and/or trigger out of order	Contact our after-sales service
	No water supply	Connect the water supply
The machine is on but no water comes out	Water filter blocked	Clean the filter
	Blocked jet	Clean the jet with a needle and spray water through the jet
The hose is hard to release	There is pressure inside the machine	Turn off the device and press the spray gun trigger to release any remaining pressure in the system



Technical Support

(909)637-7665 | (909)637-7593

HJ-Customer-Service@outlook.com

Thank you for choosing this product. We strive to provide you with the best quality products and services in the industry. Should you have any issues, please don't hesitate to contact us.