



LIGHT SOURCE DATA

- 2 x 40W Max E27 ES (required)
- Lamp direction - Indirect
- Lamp shape - Standard
- Non-dimmable
- Energy range: A++, A+, A, B, C, D, E

DIMENSION DATA

- Height 430mm
- Diameter 250mm

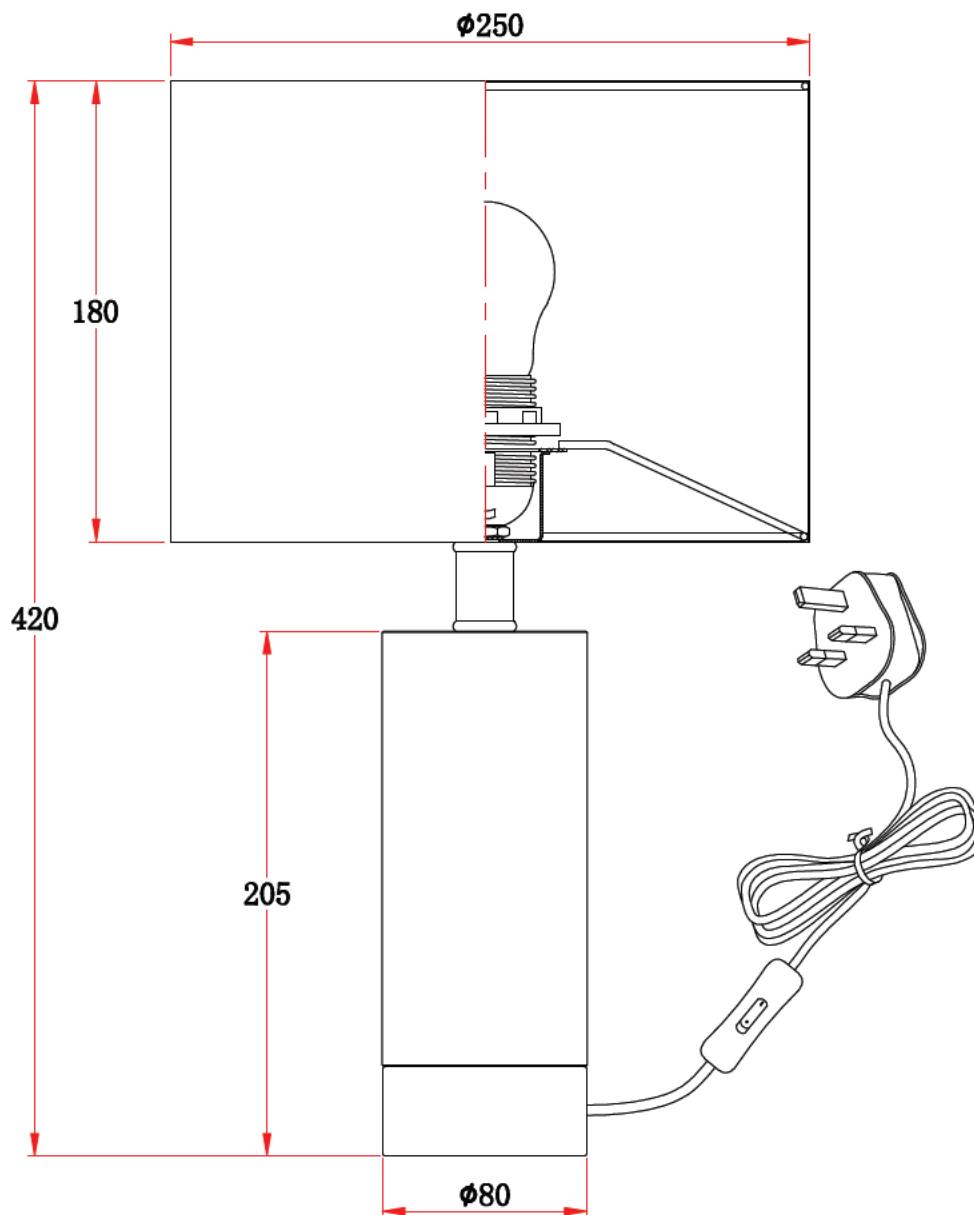
- Weight 2.46kg

SPECIFICATION

- Manufacturer warranty for 2 years from date of purchase
- Brushed chrome plate with clear crystal glass detail and white cotton
- IP20
- In-line On/Off Switch
- Class II - Double Insulated, No Earth
- 240V
- Assembly required? No
- Clear PVC cable, 1200mm clear plug to clear switch, 600mm clear switch to base
- CE Marking, Energy Efficient, Energy Saving

CERTIFICATION





CERTIFICATION

