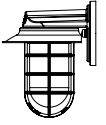




SPS-0027 REV B

INDUSTRIAL STATIC SCNCE

JOB NAME: _____ FIXTURE TYPE: _____



BLE - W - CGGT - _____ - _____ - _____ - _____ - _____ - _____
A B C D E F

Order Example: BLE - W - CGGT - 370 - FS - TGG - 370 - FST - E26

A - MOUNTING & TOP FINISH

POWDER COAT FINISHES:

100	Black
105	Textured Black
200	White
300	Dark Green
307	Emerald Green
311	Jadite
370	Mint
380	Chartreuse
390	Teal
400	Barn Red
420	Orange
470	Watermelon
480	Blush Pink
490	Magenta
495	Sherbet Orange
500	Buttery Yellow
570	Sunflower
600	Bronze
601	Chocolate
605	Rust
615	Oil-Rubbed Bronze
700	Royal Blue
705	Navy
710	Cobalt Blue
715	Delphite Blue
790	Lavender
800	Industrial Grey
805	Charcoal Granite
810	Graphite
975	Galvanized

B - SHADE OPTION

NA	No Shade
FS	Flared Shade

C - CAST GUARD OPTION

WGG	Wire Guard
CGG	Standard Cast Guard
TGG	Heavy Duty Cast Guard

D - GUARD FINISH

POWDER COAT FINISHES:

100	Black
105	Textured Black
200	White
300	Dark Green
307	Emerald Green
311	Jadite
370	Mint
380	Chartreuse
390	Teal
400	Barn Red
420	Orange
470	Watermelon
480	Blush Pink
490	Magenta
495	Orange Sherbet
500	Buttery Yellow
570	Sunflower
600	Bronze
601	Chocolate
605	Rust
615	Oil-Rubbed Bronze
700	Royal Blue
705	Navy
710	Cobalt Blue
715	Delphite Blue
790	Lavender
800	Industrial Grey
805	Charcoal Granite
810	Graphite
975	Galvanized

E - GLASS OPTIONS

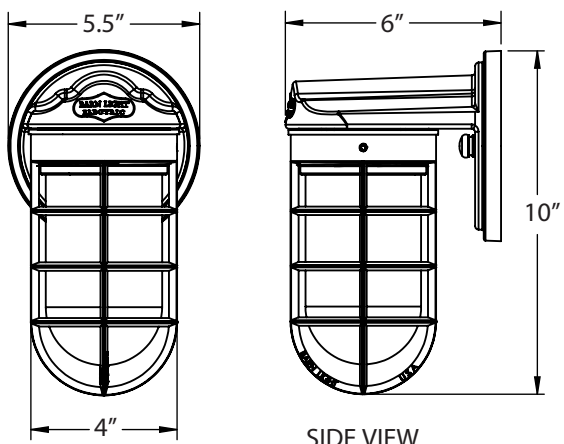
CLR	Clear Glass
FST	Frosted Glass
RIB	Ribbed Glass
SMK	Smoke Crackle Glass
BLU	Blue Glass
RED	Red Glass
AMB	Amber Glass
GRN	Green Glass

F - LIGHT SOURCE

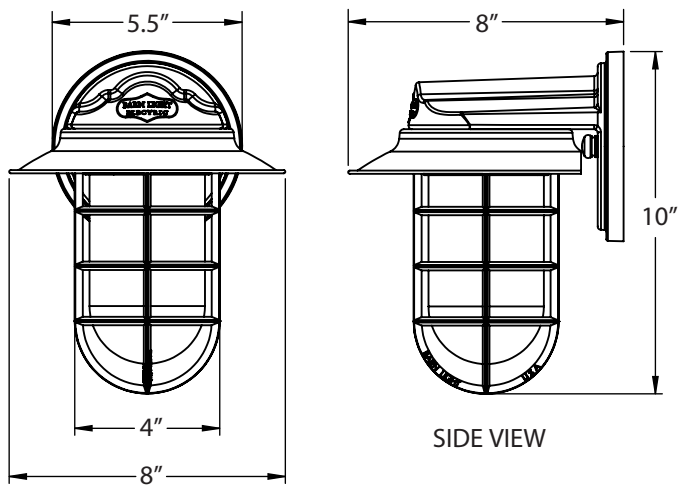
E26	100 Watt Max
GU24	24 Bi-Pin, 18W Max ¹

IMPORTANT: (1) Fixtures configured with a GU24 socket are non-returnable

LUMINAIRE DIMENSIONS



SHOWN WITH: NO SHADE



SHOWN WITH: FLARED SHADE

SPECIFICATIONS

CERTIFICATIONS, LISTINGS & WARRANTY

MADE IN THE USA
Manufactured and Hand-Crafted in Our 60,000 Square Foot Facility
Located in Titusville, FL

CSA LISTED FOR WET LOCATIONS
Vertical Orientation Only, Cast Guard Pointing Down

LIMITED WARRANTY
For Additional Information on Our Limited Warranty, Please See
Our Terms & Conditions

MAX FIXTURE WEIGHT
10 lbs

CONSTRUCTION & FINISH

POWDER COAT FINISHES
Polyester Powder Coat Finishes Are Electro-Statically Applied and
Thermocured

LIGHT SOURCE

INCANDESCENT
Medium Base E26 Socket, 120 VAC, 100W Max

COMPACT FLUORESCENT
Bi-Pin Base GU24 Socket, 120 VAC, 18W Max