























Assembly Instructions

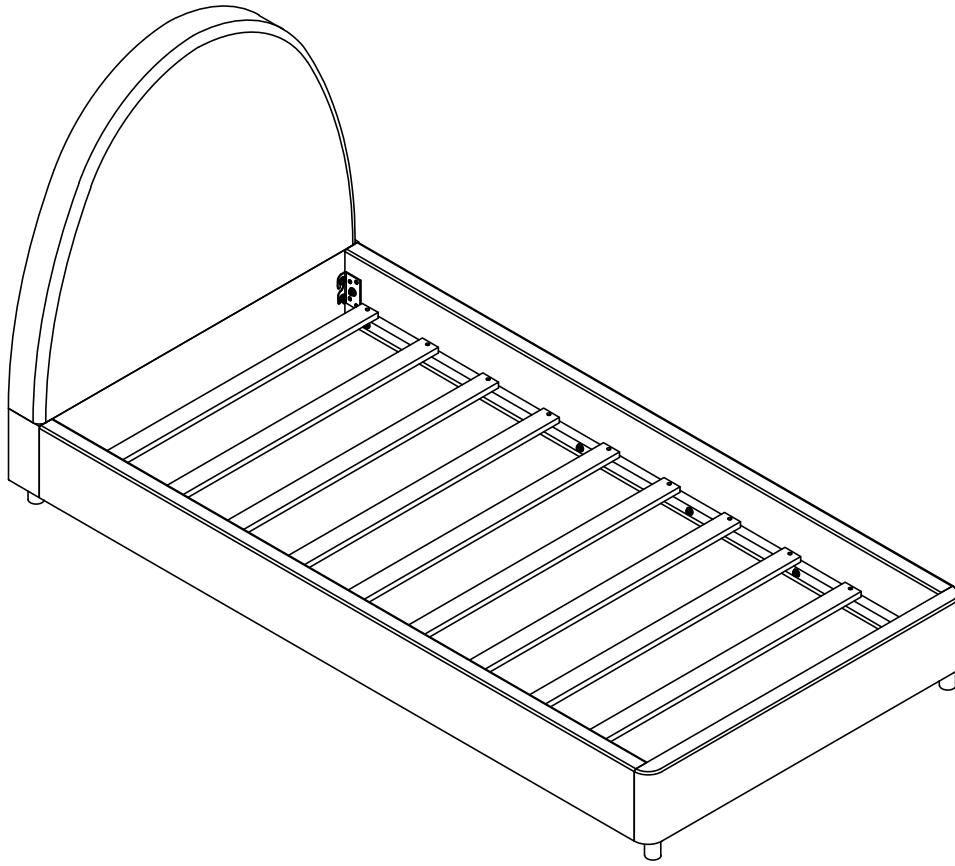
Care & Maintenance

 	<ul style="list-style-type: none">● Not for commercial use. For residential use only.
 	<ul style="list-style-type: none">● Furniture may scratch floors. We recommend using furniture pads to protect your floors.
 	<ul style="list-style-type: none">● Do not put hot items directly on furniture surface.
 	<ul style="list-style-type: none">● Do not clean furniture with harsh cleansers or polish.
 	<ul style="list-style-type: none">● Do not place furniture under direct sunlight.
 	<ul style="list-style-type: none">● Do not place furniture near heating or cooling vents.
 	<ul style="list-style-type: none">● Do not write on furniture without a padded barrier to protect the surface.
 	<ul style="list-style-type: none">● Do not place furniture outsideFor indoor use only.
 	<ul style="list-style-type: none">● Stains may be removed with mild soap solution and damp cloth.
 	<ul style="list-style-type: none">● Children should not climb or jump on the furniture.
 	<ul style="list-style-type: none">● Dust and pick-upspills using a clean, non-colored, lint-free cloth.

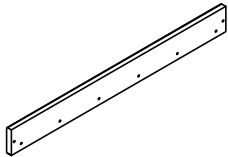
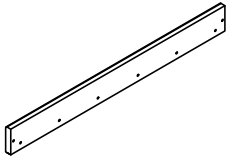
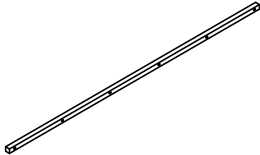
Please look in the box for hardware packs and legs.

Sets often ship in multiple boxes and may arrive a day or two apart.

N757P329197W

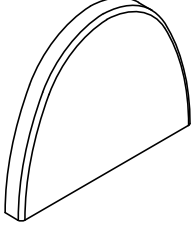
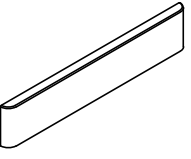
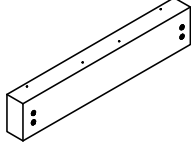
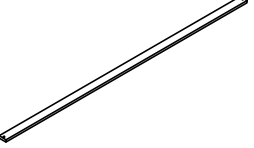



Part List

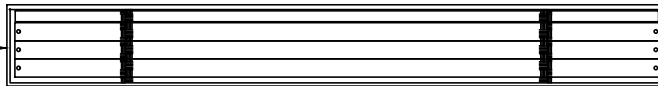
①		Side Rail(R)	1pc
②		Side Rail(L)	1pc
⑨		Support Rail	2pcs

TWIN Bed
N757P329196W

Part List

Label	Picture	Description	QTY
④		Headboard	1pc
③		Footboard	1pc
⑩		Headboard Storage	1pc
⑥		Slats with 2 pre-holes	10pcs
⑪		Bed leg	4pcs

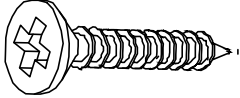
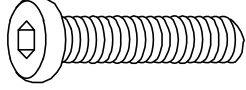
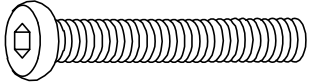
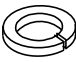
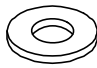

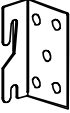
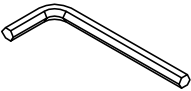
⑩



Noted :Slats with 2pre-holes (6) and are packaged behind the Headboard Storage (10).

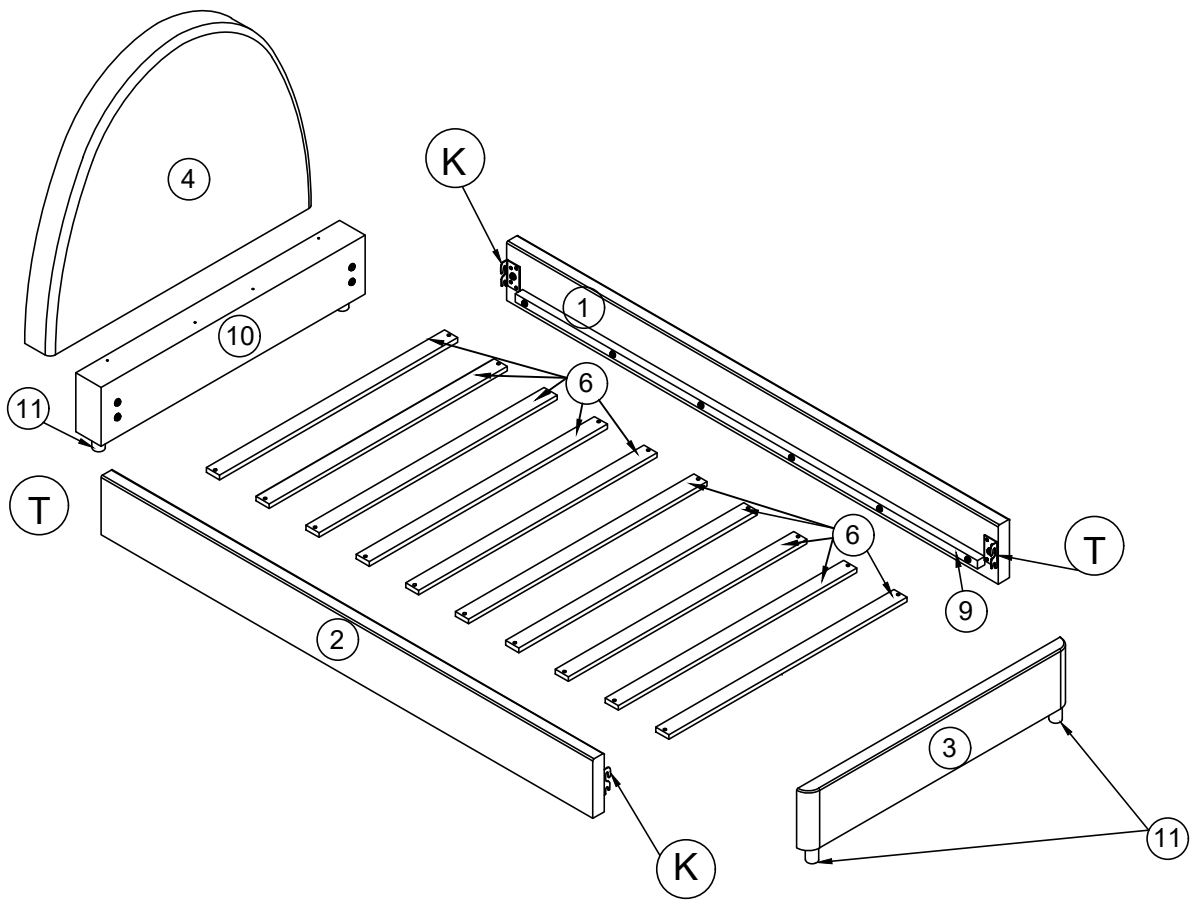
Hardware



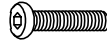

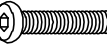

N757P327196W





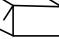
Label	Picture	Description	QTY
(A)		Screw(4x30mm)	36+1pcs
(B)		Bolts(5/16x30mm)	12+1pcs
(C)		Bolts(5/16x50mm)	16+1pcs
(E)		Lock washer(5/16x20mm)	28+1pcs
(F)		Flat washer(5/16x20mm)	28+1pcs
(T)		Metal pad(L)	2pcs
(K)		Metal pad(R)	2pcs
(M)		Allen Key(M4)	1+1

Assembly Preparation

Before Beginning assembly:

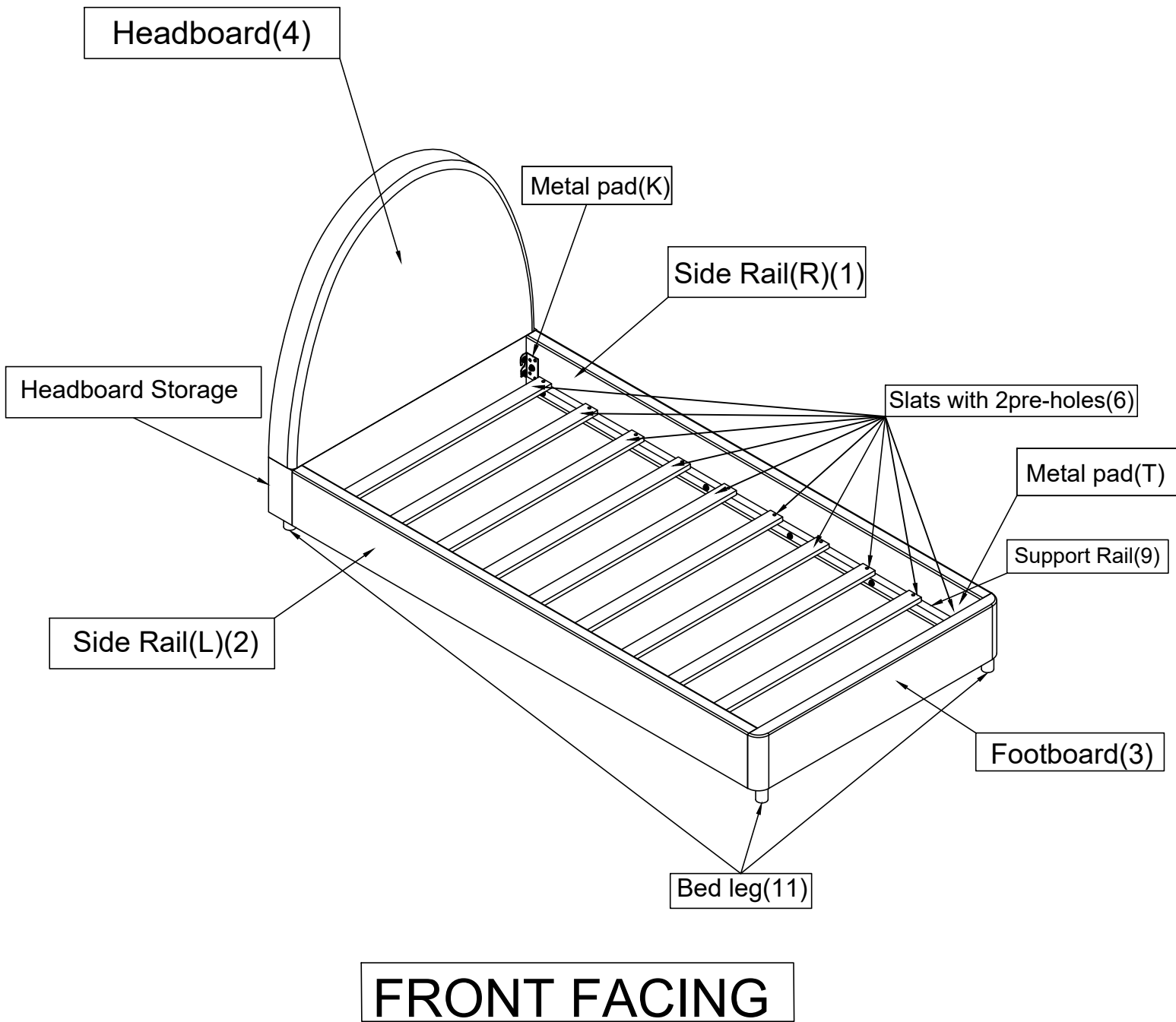


A	 x36pcs+1	E	 x28pcs+1
B	 x 12pcs+1	F	 x28pcs+1
C	 x 16pcs+1	M	 x1pcs+1

-  Read the instructions cover to cover
-  Have 2 adults on hand for assembly
-  Do not assemble on flooring or carpet
-  Assemble on a clean, non-marring surface (packing foam)
-  Save all packaging until finished

Assembly Steps

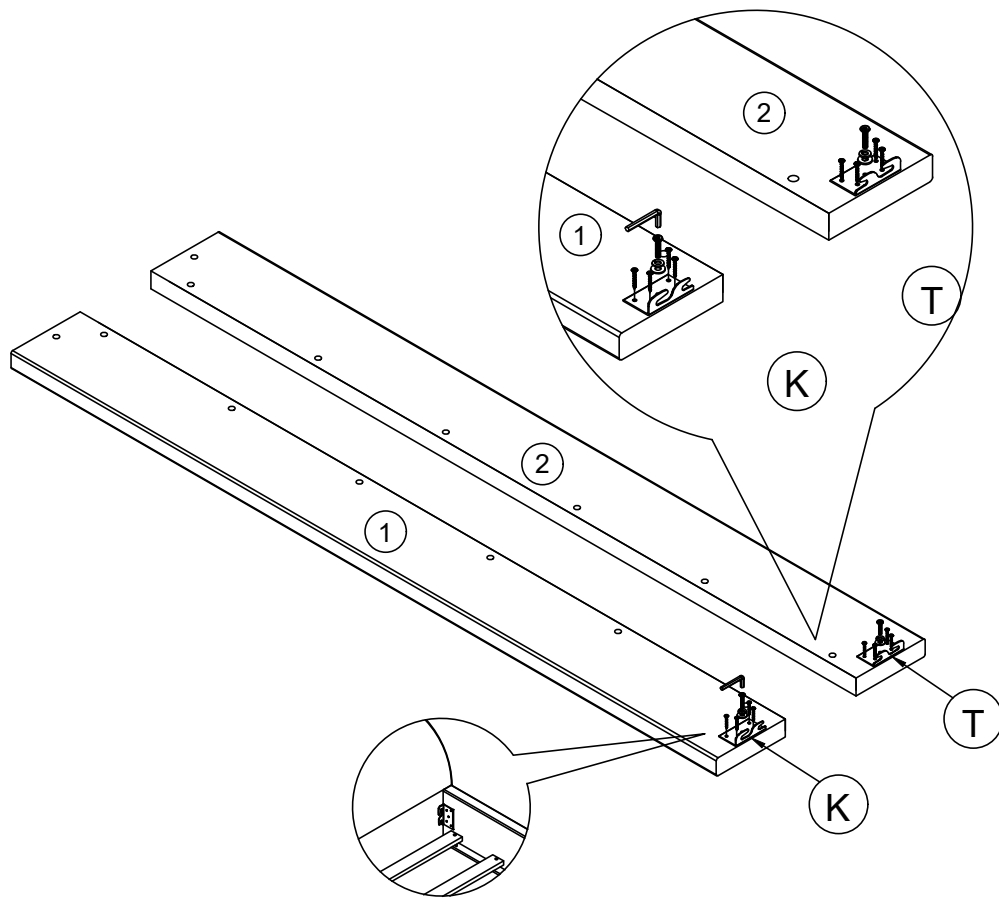
OVERVIEW



This Bed have multiple parts and may require up to 30 minutes to assemble. To give you an overview of the Bed parts, the above picture is to help you put the various parts into perspective. Please read through the instructions below to familiarise yourself with the parts and steps before assembly.

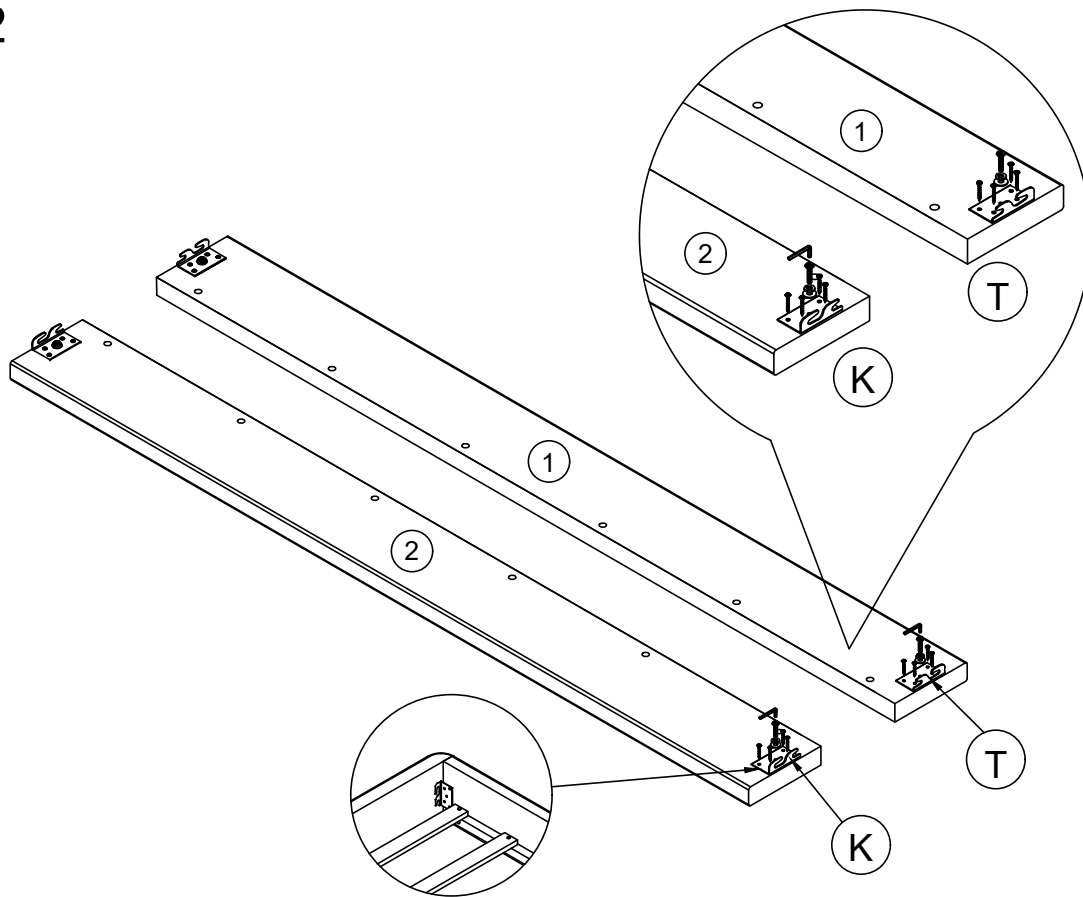
Note: It is recommended that you have an adult partner to assist during the entire assembly process.

Step 1



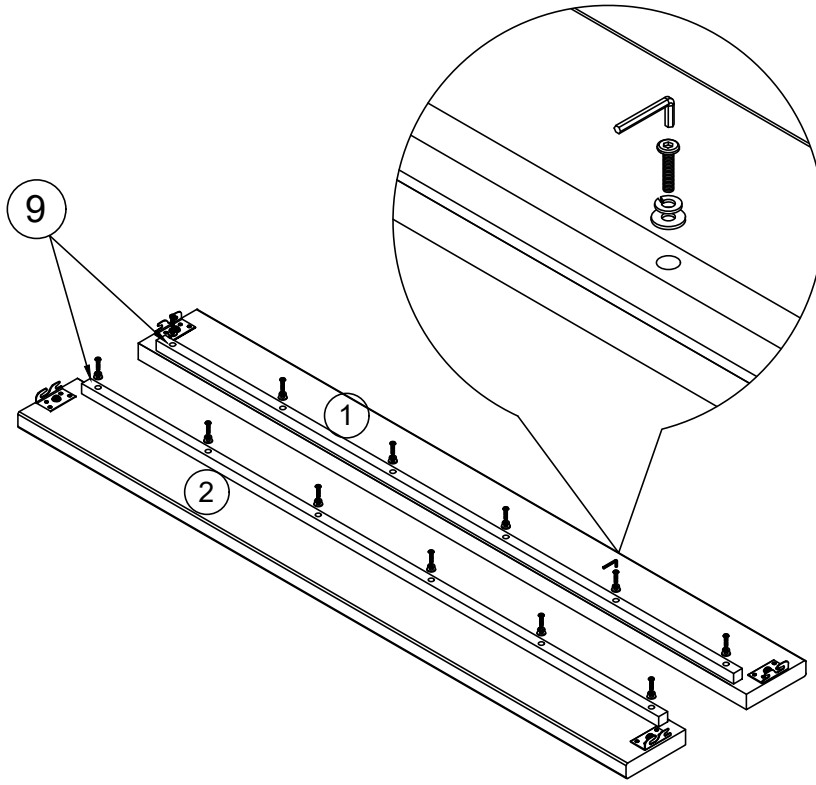
Attach the Metal pad(K) to the Side Rail (R) (1), attach the Metal pad(T) to the Side Rail (L) (2) .
 By using the Bolts (B) and Flat Washer (F) with the Lock Washer (E) and Screw (A) to connect the Hinge and the Side Rail (Note: The hinge hook is facing down and this place is connected to the Headboard Storage (10))

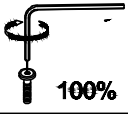




Step 2



Use the Metal pad (T) to attach to the Side Rail (1), use the Metal pad (K) to attach the Side Rail (2).
 By using the Screw (A) and the Bolts (B) with M4 Allen Key (M) to connect the Hinge and the Side Rail
 (Note :The direction of the Hinge and this place is connected to the Footfoard (3)).

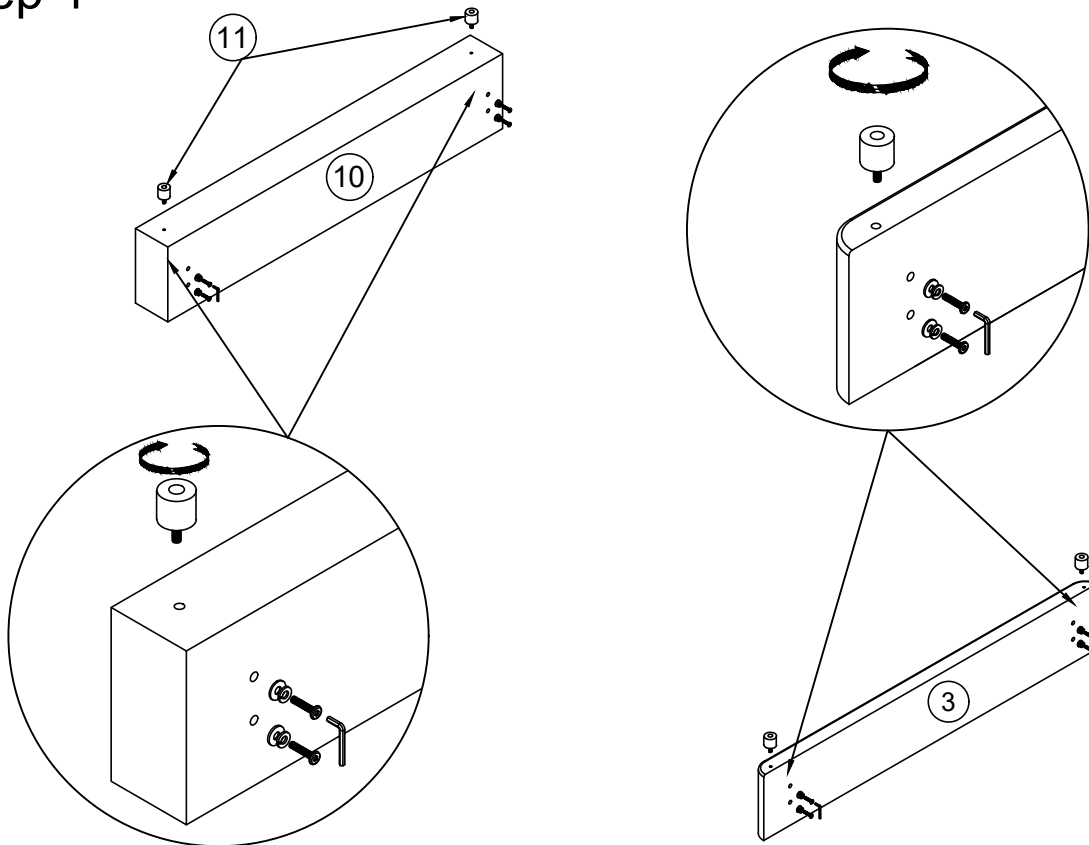
Step 3

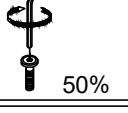


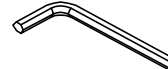
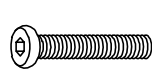


- M**  100%
- E**  5/16"x20mm x12pcs
- F**  5/16"x20mm x12pcs
- M**  100%
- C**  5/16"x50mm x12pcs

Attach the Support Rail (9) to the Side Rail (1) and the Side Rail (2). By using the Bolts (C), the Flat Washer (F) and the Lock Washer (E) with M4 Allen Key (M)

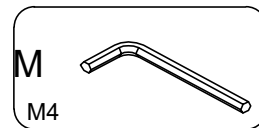
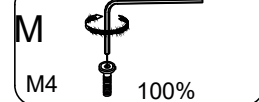
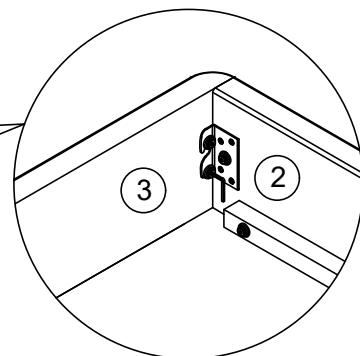
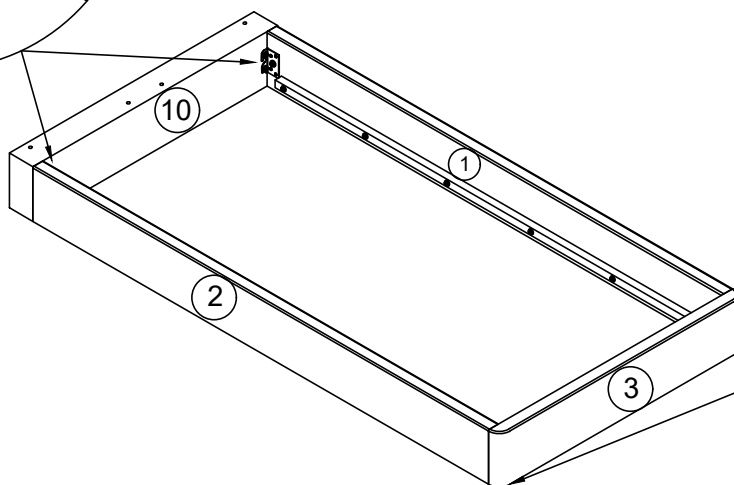
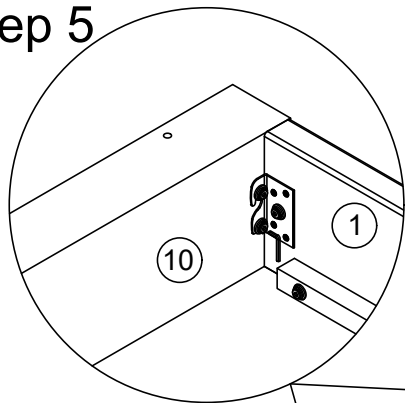
Step 4



- M**  50%
- E**  5/16"x20mm x8pcs
- F**  5/16"x20mm x8pcs
- M**  100%
- B**  5/16"x30mm x8pcs

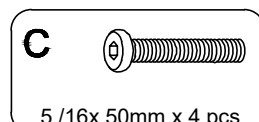
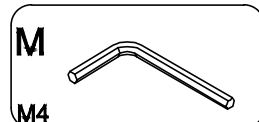
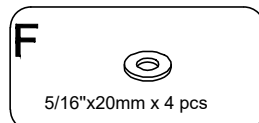
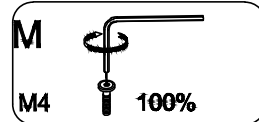
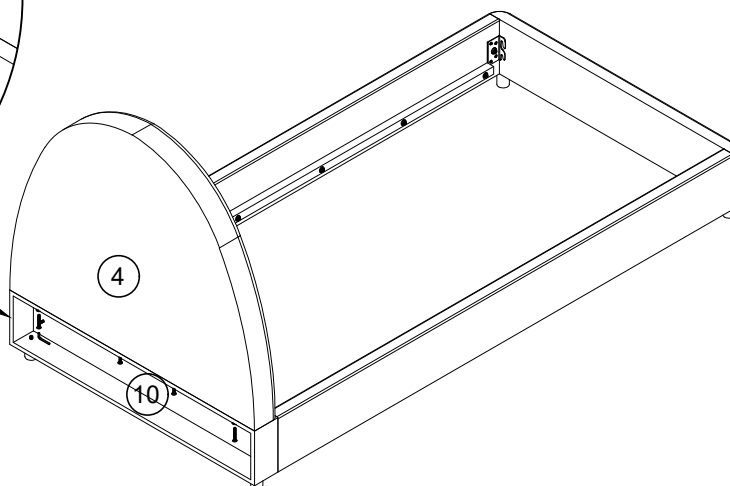
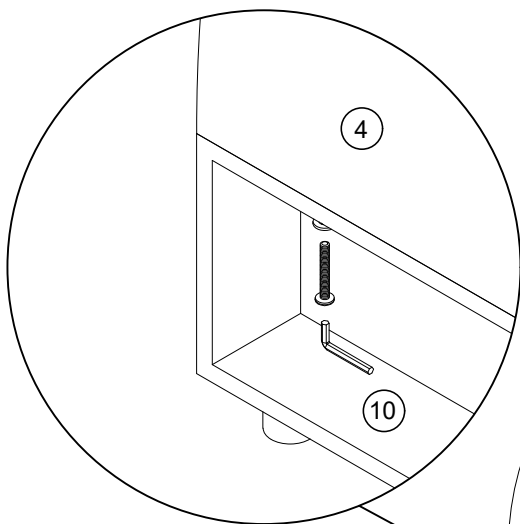
Use Bolts (B) and Lock Washer (E) with Flat Washer (F). Then attach 1/2 Bolts (B) to the Headboard Headboard Storage (10) and Footboard (3). Use 2 Bed Legs (11) attached to the Headboard Storage (10) and 2 Bed legs (11) attached to the Footboard (3)

Step 5



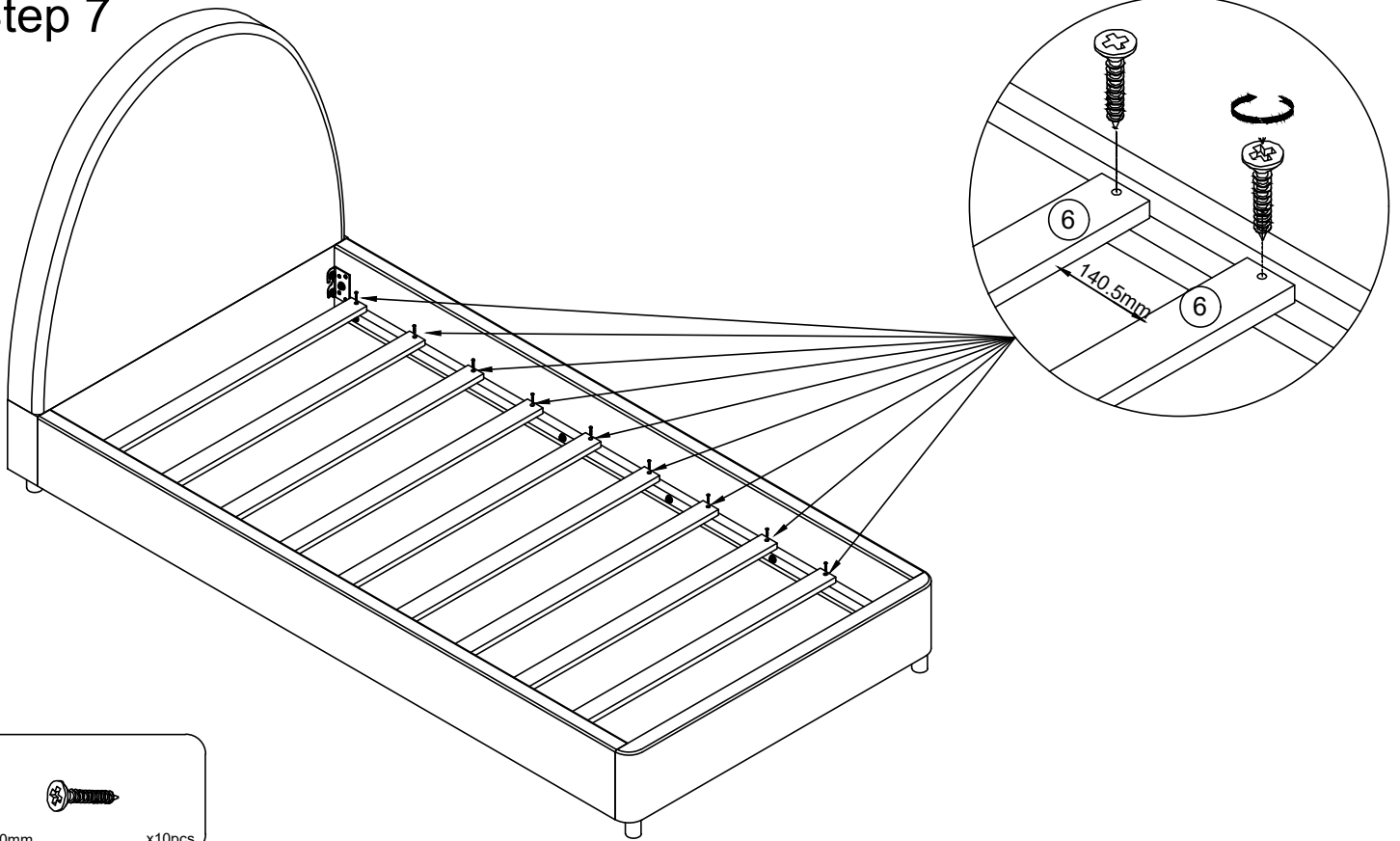
Attach the Side Rail (1) and the Side Rail (2) to the Headboard Storage (10) (Note: the direction of the Metal pad is down), by using M4 Allen Key (M) to tighten the Bolts (B). Then attach the Footboard (3) to the Side Rail (1) and the Side Rail (2) (Note: the direction of the Metal pad is down), by using M4 Allen Key (M) to tighten the Bolts (B).

Step 6



Use the bolts (C), Lock washer (E) and Flat washer (F) to connect the Headboard (4) and the Headboard Storage (10) then tighten with Allen Key (M)

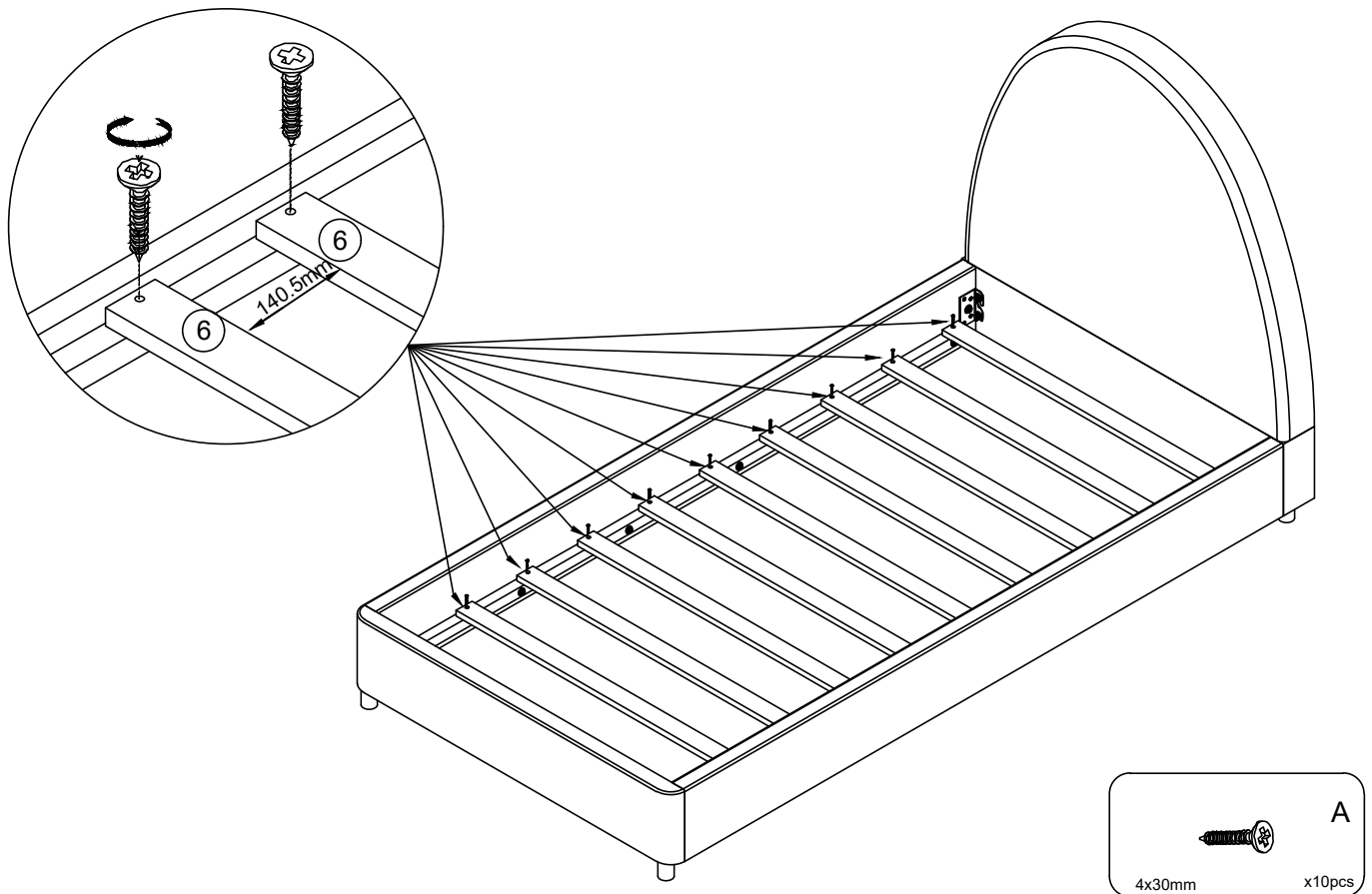
Step 7



Assemble the Slat with 2pre-holes(6) to the bed Sides Rail (1). Use screw A

Note : The distance between 2 Slats is 140.5mm

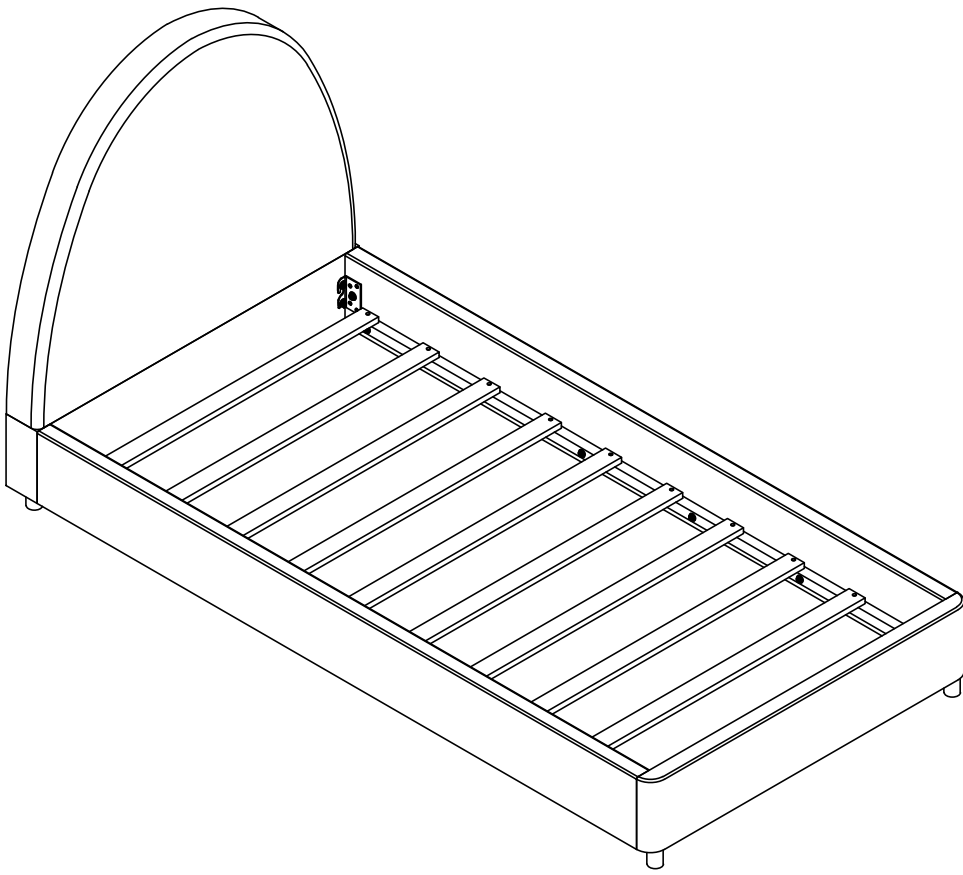
Step 8



Assemble the Slat with 2pre-holes(6) to the bed Sides Rail (2). Use screw A

Note : The distance between 2 Slats is 140.5mm

Finish



Thank you for your trust and preference in using our products.
The product will bring you a peaceful sleep forever