

40 Inch LED Saucer Swing

User Manual

Please read this user manual before assembly and use, and retain it for future reference.

(01) SAFETY INSTRUCTIONS

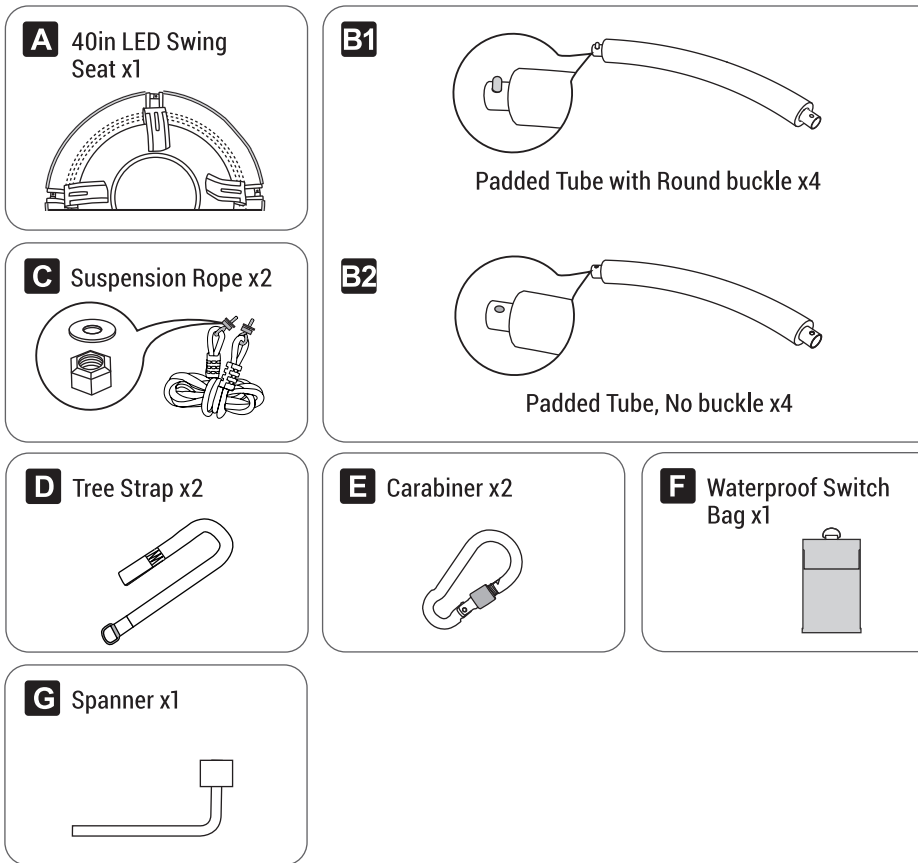
- Please preserve this manual and the packing carefully for later reference. If you give this product to a third party, remember to hand over this manual as well.
- This product is NOT meant for commercial use but is ONLY intended for domestic use. Use only under the supervision of adults. To avoid the risk of falling, never leave your child unsupervised on the swing.
- Follow the assembly and maintenance instructions to prevent your child from falling, or tumbling down and to prevent the tearing of ropes.
- We recommend that you set up the swing on an even surface and maintain a distance of at least 2m from other structures or obstacles, e.g. fence, garage, house, projecting branches, clotheslines, or electric cables.
- Not suitable for children below 3 years old. Risk of strangulation!
- Children below 3 years old are still unable to maintain their balance.
- Since children have different development levels, please check beforehand if your child is able to maintain his balance.
- The recommended height from the ground to the swing seat is 20in (50cm).
- Please place the LED battery compartment in the water-proof bag after use. Or exposure to rainwater or damp environment may cause the switch to malfunction.

- 1 -

(02) MAINTENANCE

- Always pay attention to the following points if the swing was not in use for a long period (Especially at the beginning of a new season!).
- Lubricate all metal parts. Check all the caps on screws and sharp edges and replace them if necessary. Check the swing seats, chains, ropes, and other accessories for any signs of wear.
- Check the ropes and rings constantly for decay, wear and tear resistance. The best way to check this is to turn the ropes till their inside becomes visible! Check the knots regularly for tightness. Examine the wood regularly for decay and cracks.
- Do not expose the swing to the weather during long periods of rain and sun.
- Always replace defective parts with original spares.

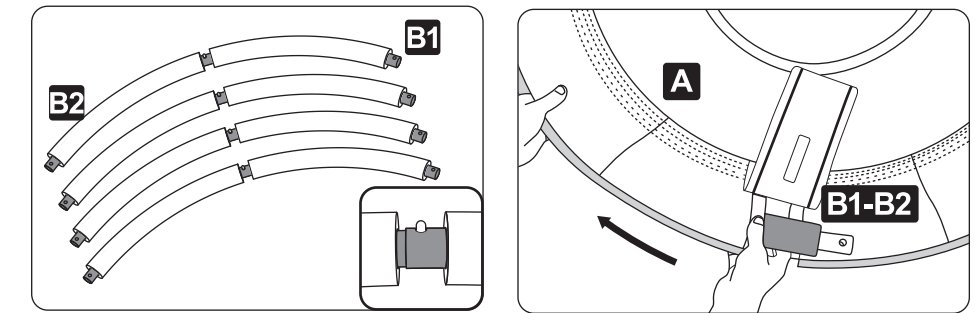
(03) PARTS LIST



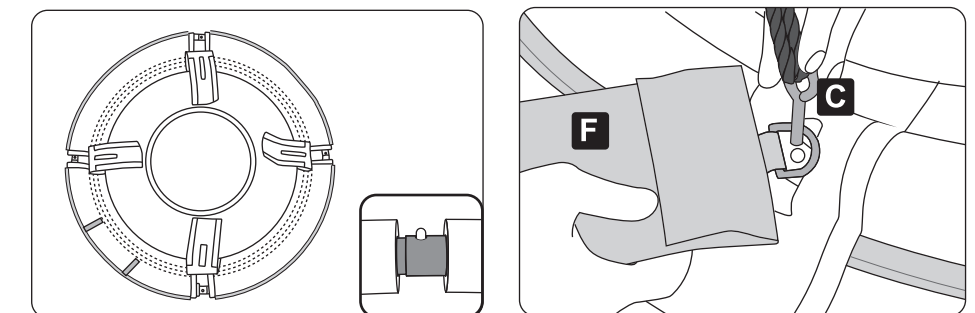
- 2 -

(04) ASSEMBLY INSTRUCTIONS

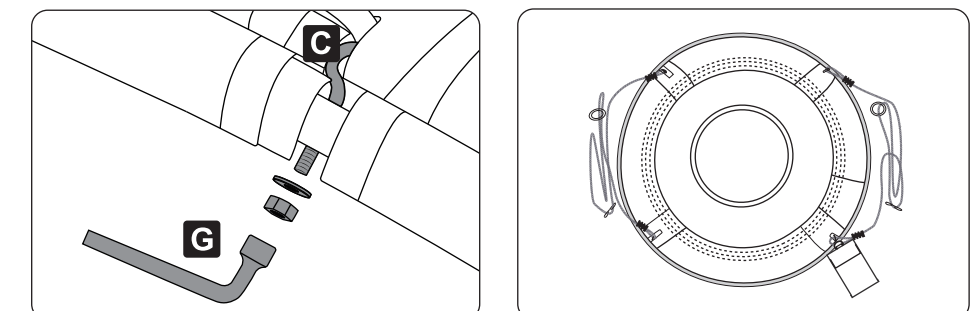
Tips: This is the general user manual of the swing, the actual color of the product should refer to the item you purchased



1. Attach tube B1 to tube B2, and connect the rest tubes as same to turn the 8 tubes into 4 B1-B2 tubes.
2. Insert 4 B1-B2 tubes into the swing seat.



3. Connect the adjacent iron tubes two by two to form a circle.
4. Cover up the joint with the joint cover, thread the bolt through the water-proof bag plastic D ring then into the joint hole. (NOTE: the water-proof bag should be on the side where the LED power connector is.

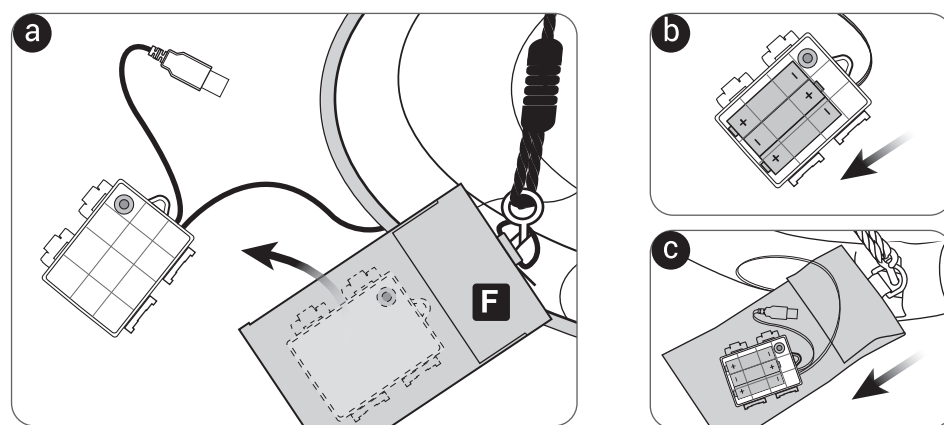


5. Screw on the nut. Then repeat for all four joints.
6. Assembly complete

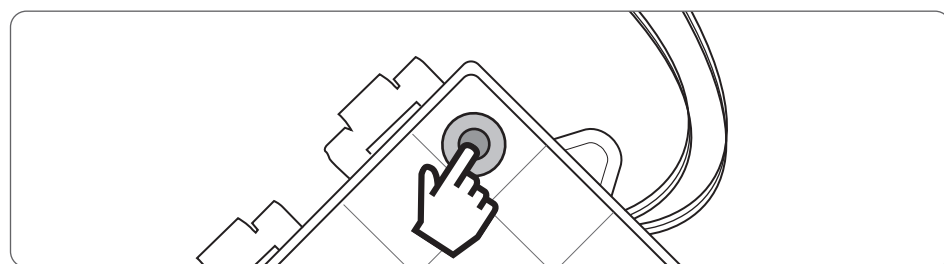
- 3 -

(05) LED BATTERY COMPARTMENT INSTALLTION AND OPERATION

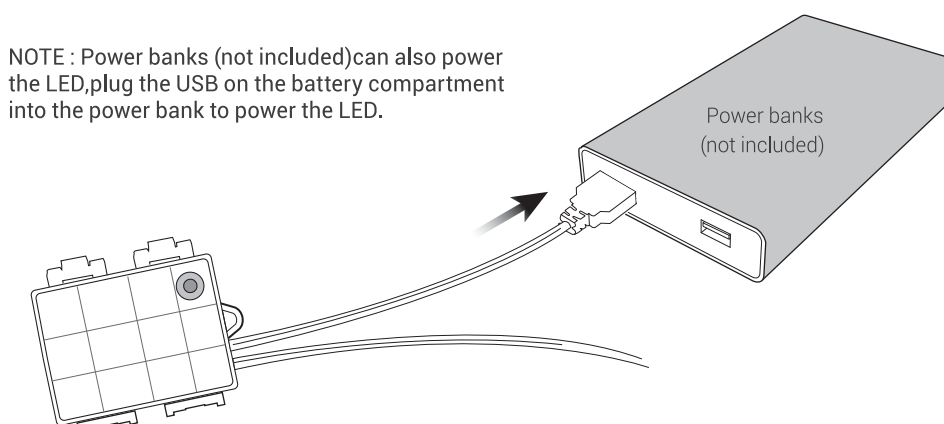
1. To install the battery compartment, first, connect the battery compartment with the LED switch, install three AA batteries (batteries not included), then place the battery compartment and switch assembly within the water-proof bag and seal the bag.



2. To operate the LEDs, press the white button on the battery compartment to turn on the LEDs, click to switch modes, and long press the button to turn off the LEDs.

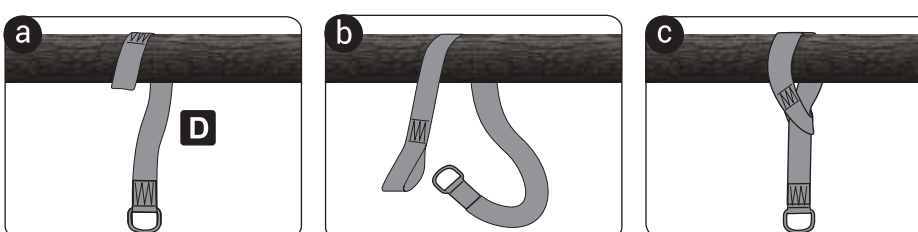


NOTE : Power banks (not included) can also power the LED, plug the USB on the battery compartment into the power bank to power the LED.

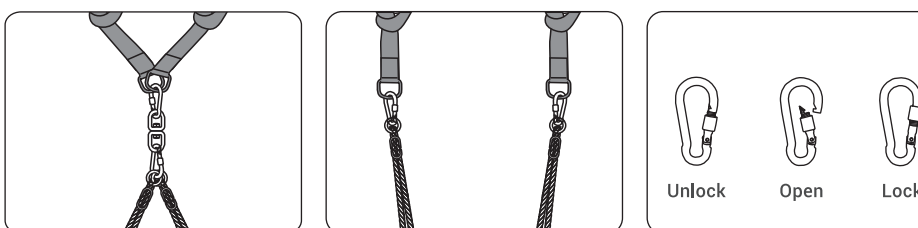


- 4 -

(06) ASSEMBLY INSTRUCTIONS

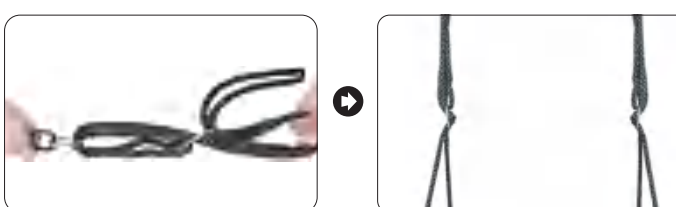


1. Wrap the tree straps around a tree branch to the desired length, thread the D-ring through the loop end, and tighten the strap.



2. Hang the swing by buckling the carabiners to the D-ring of the tree straps. Or you could use a swivel (Not included) to hang the swing.

NOTICE: make sure the screw lock of the carabiner is 100% tightened.



3. Adjust the rope to a desired length to keep balance.

- 5 -



- 6 -