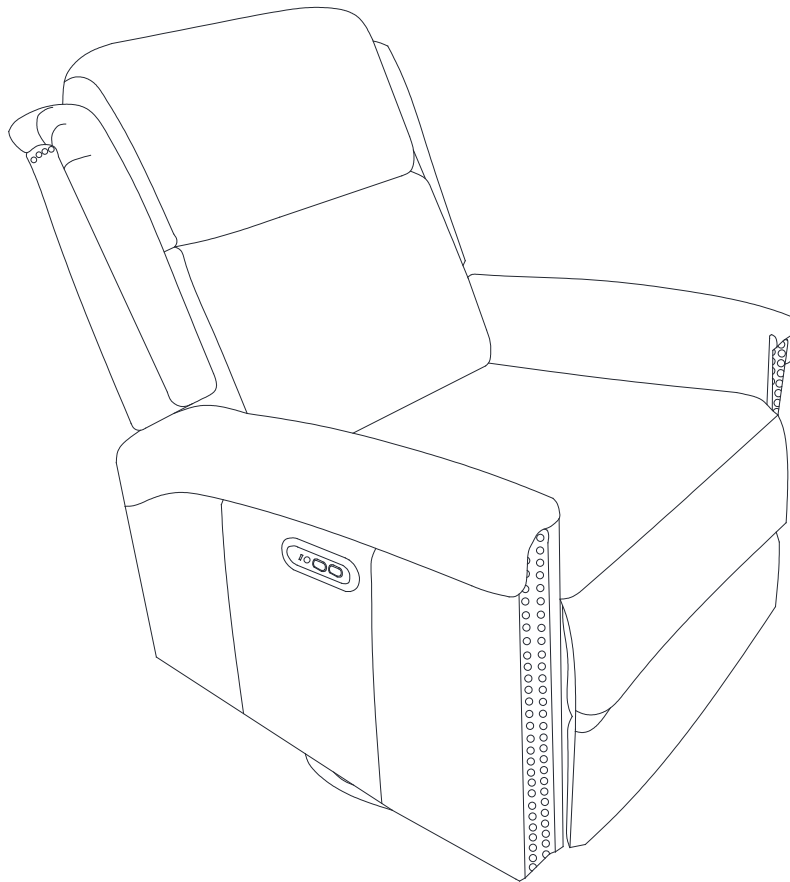


Owner Manual



Per Seat Weight Limitation

350 LBS



Installation:
10 minutes.








Two Person

MAINTENANCE AND WARNINGS



Before You Start

Please follow the steps below:




-  Check the packaging for any damage, deformation, or water stains. If there is significant damage, please contact us promptly.
-  Unpack the box and compare the contents with the parts list and hardware list to ensure all components and accessories are present and complete.
-  Please read the installation instructions carefully to understand the installation steps and precautions to ensure proper installation.
-  Clean the installation area in advance and ensure the ground is level and there is enough space to avoid damaging the furniture or making installation difficult.
-  Lay a protective mat on the ground to prevent scratching the floor during installation.

After-Sales Service

- If you encounter any issues or need technical support during use, please contact our after-sales team. We offer long-term maintenance and warranty services.





Precautions

-  This product is for indoor use only. Do not expose it to outdoor elements or high-humidity environments.
-  Keep the product away from high heat or open flames to prevent fire hazards.
-  Do not allow children to climb on the product, as this may cause tipping and result in personal injury.



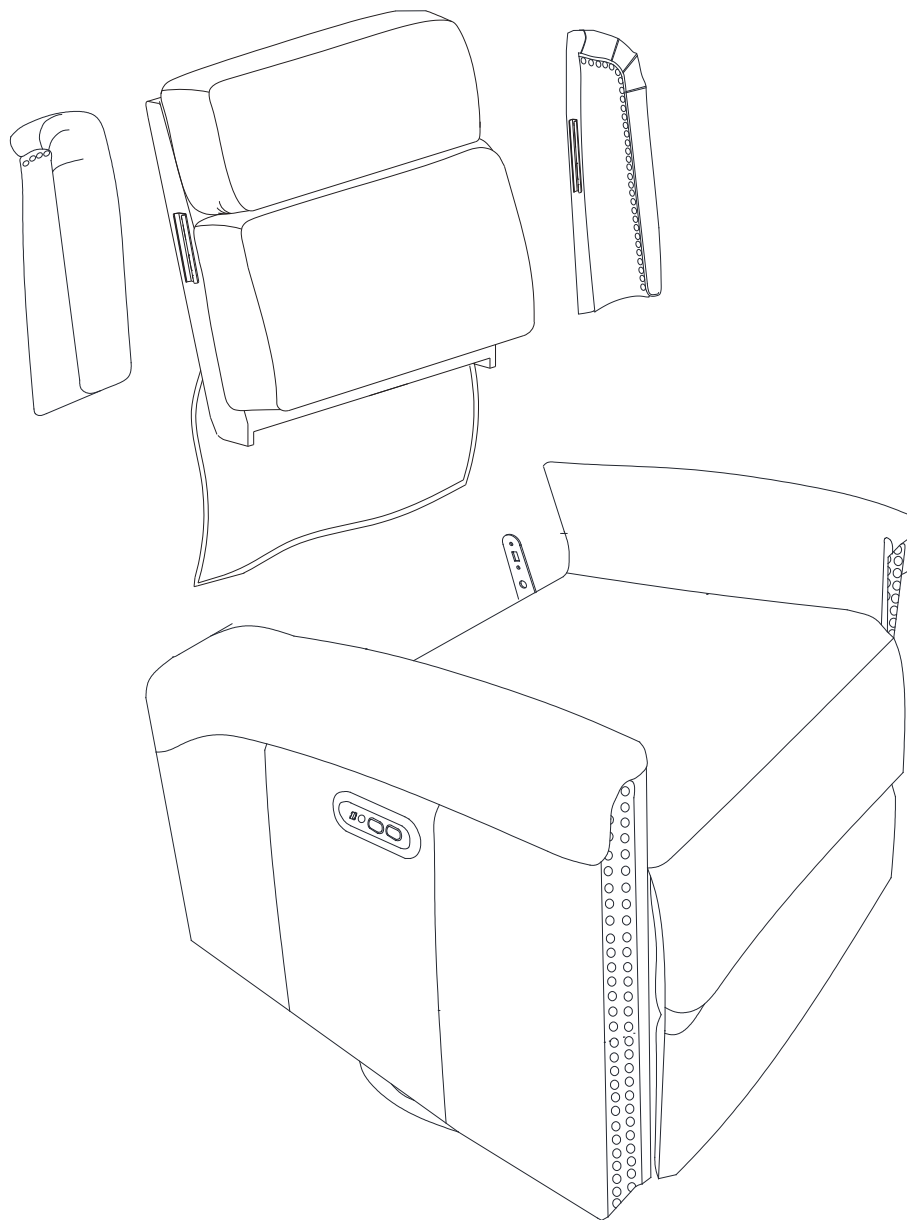
Safety Warnings

-  If you notice any loose or damaged parts, stop using the product immediately and contact customer service.
-  Do not attempt to disassemble or replace any components yourself, as this may affect the stability and safety of the product.

Daily Maintenance

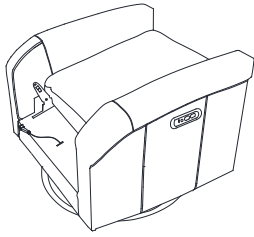
- Regularly clean the surface with a soft cloth to prevent dust accumulation.
- Do not use cleaning agents containing acids, alkalis, or corrosive substances, as they may damage the surface. It is recommended to use neutral cleaning agents or specialized furniture cleaners.
- Avoid exposing furniture to humid environments for extended periods. Use a dehumidifier or desiccant during humid weather.
- Avoid direct contact of furniture with water. If water is accidentally spilled, wipe it dry immediately.
- Avoid placing excessively heavy objects on the furniture: ensure the weight is within a reasonable load-bearing range.
- Avoid using sharp or rough items on the furniture surface to prevent scratches. Handle items gently when moving them.

Explosive view

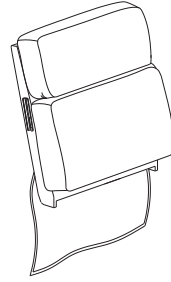


Parts list

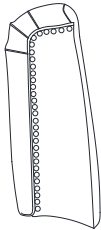
A x1 Seat cushion



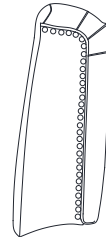
B x1 Back cushion



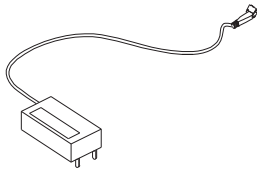
C x1 Left armrest



D x1 Right armrest

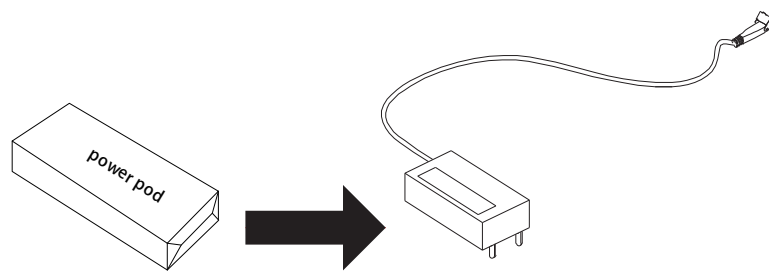
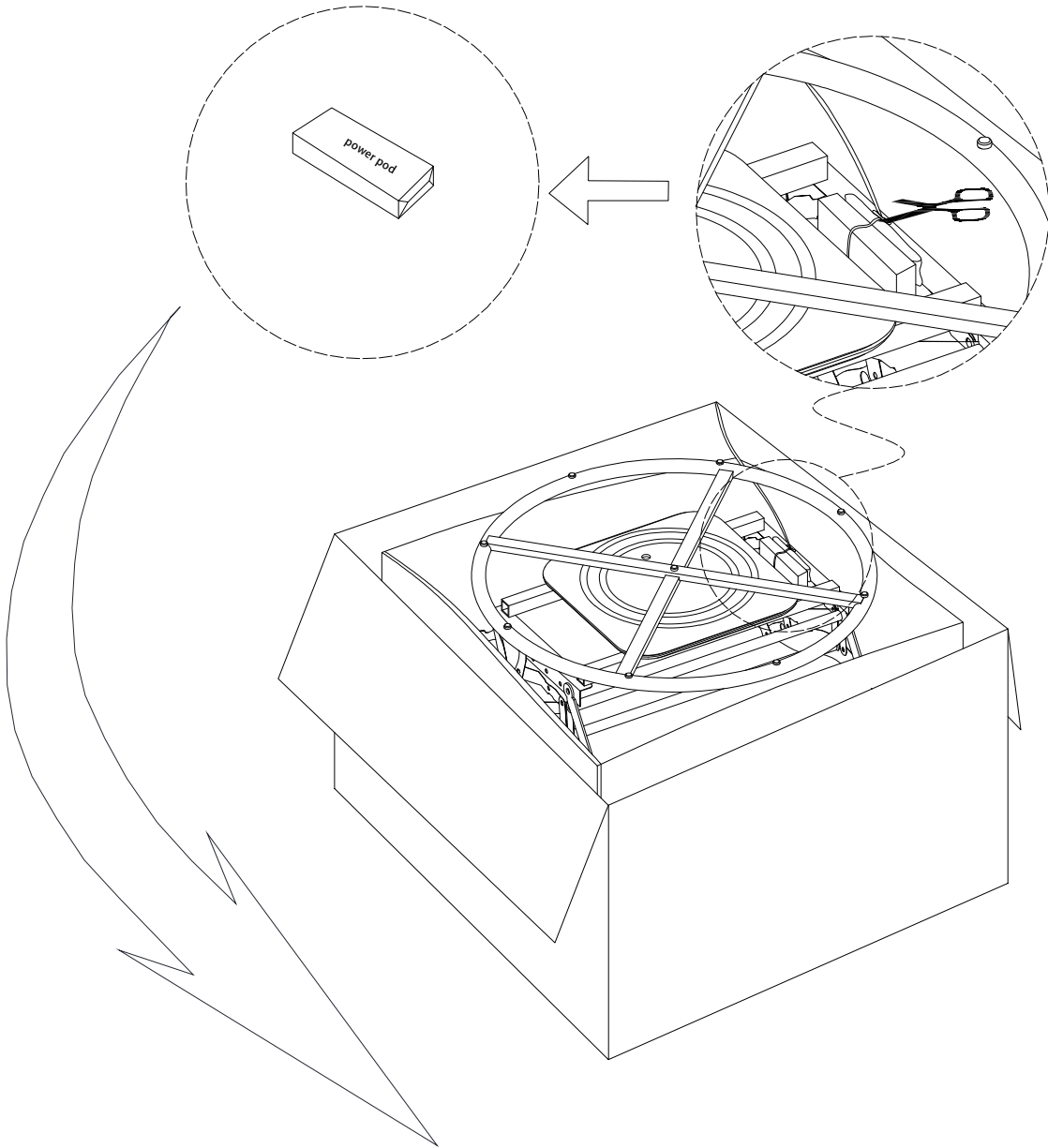


E x1 Power adapter



Step 1

Open the box and find the hardware pack



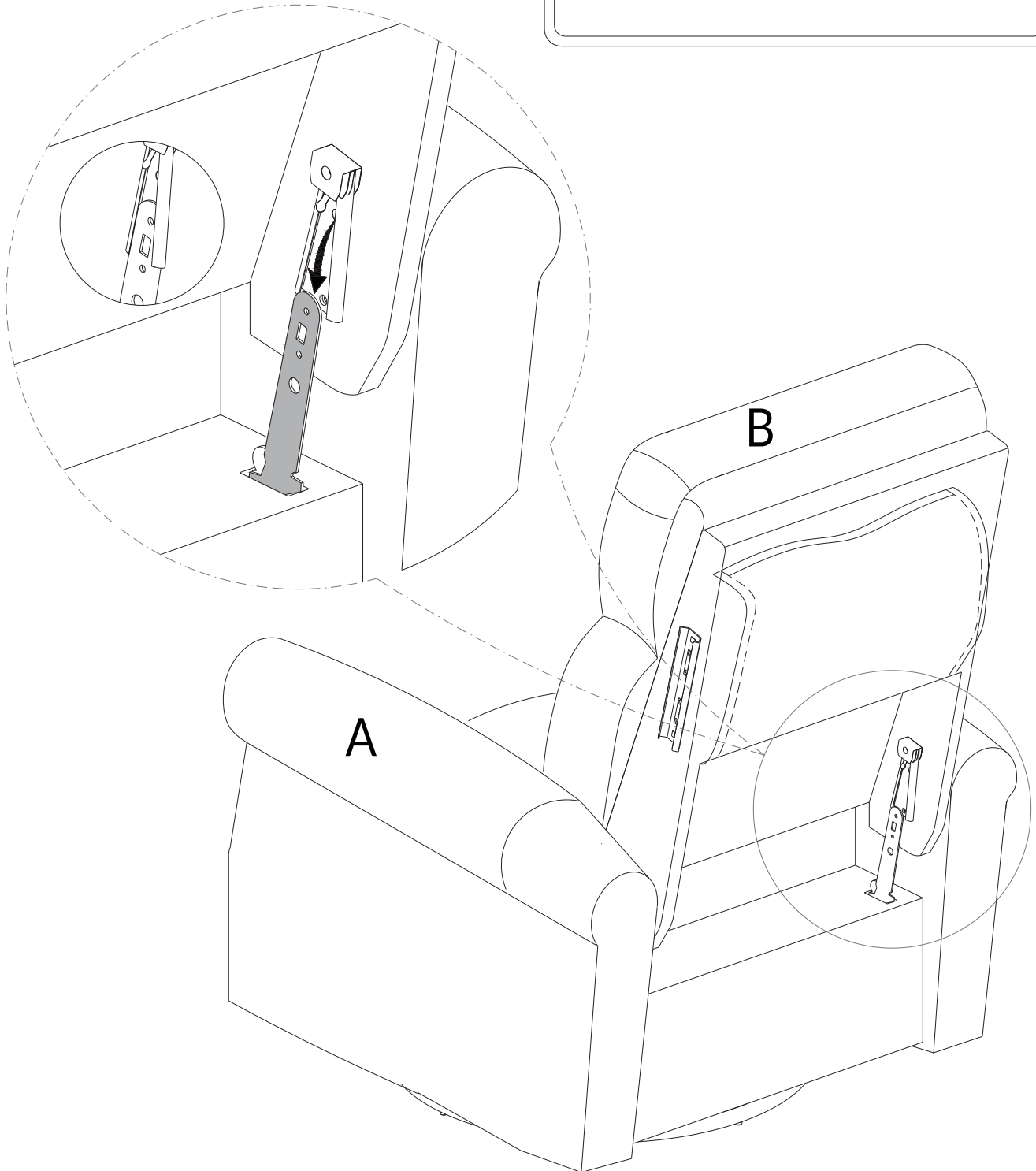
You can Find it on the underside of Seat A !

Step 2

Insert the backrest into the two slots of the base, and it needs to be inserted parallelly.

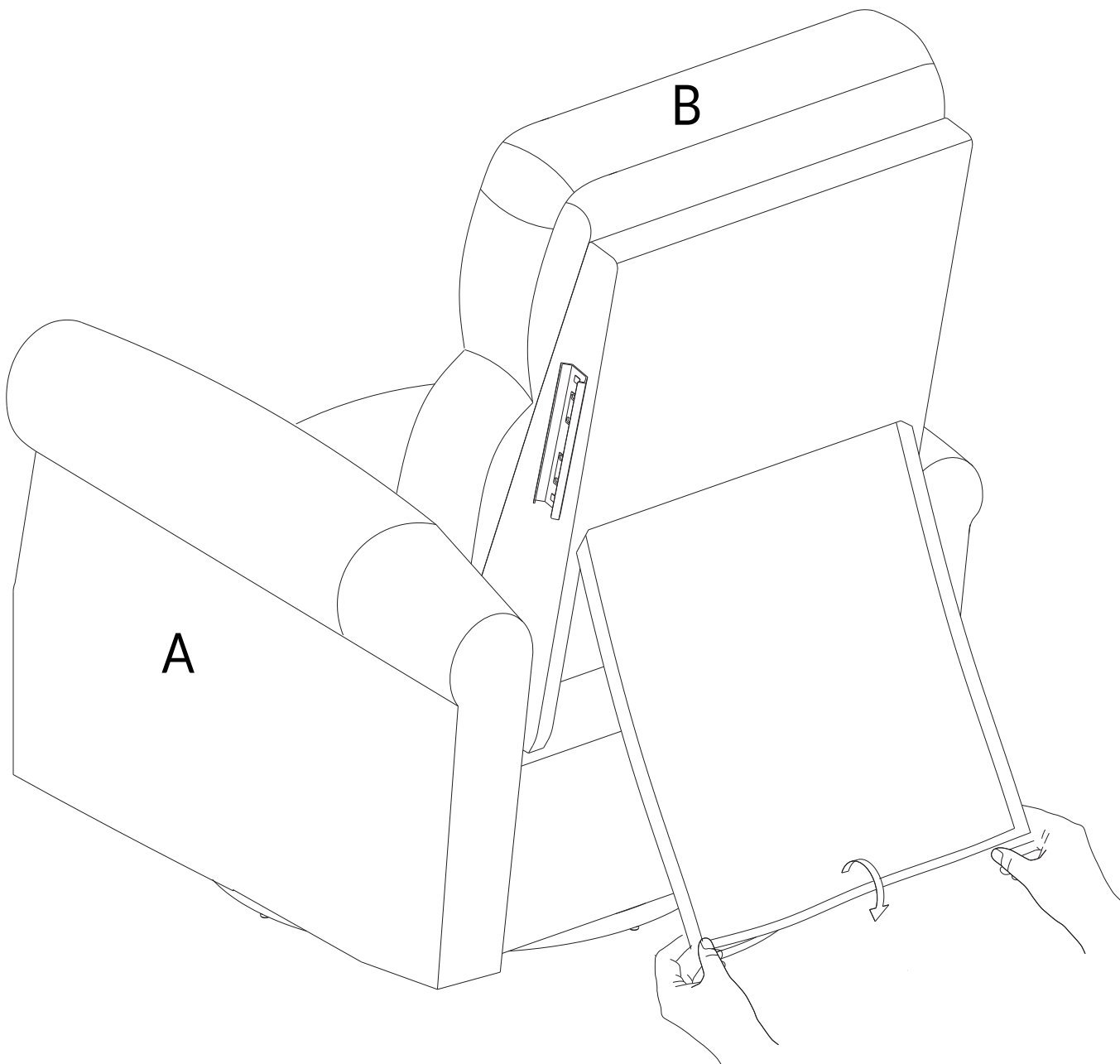


Be sure to have adult partner help to hold both armrests while aligning metal brackets on backrest/armrests.



Step 3

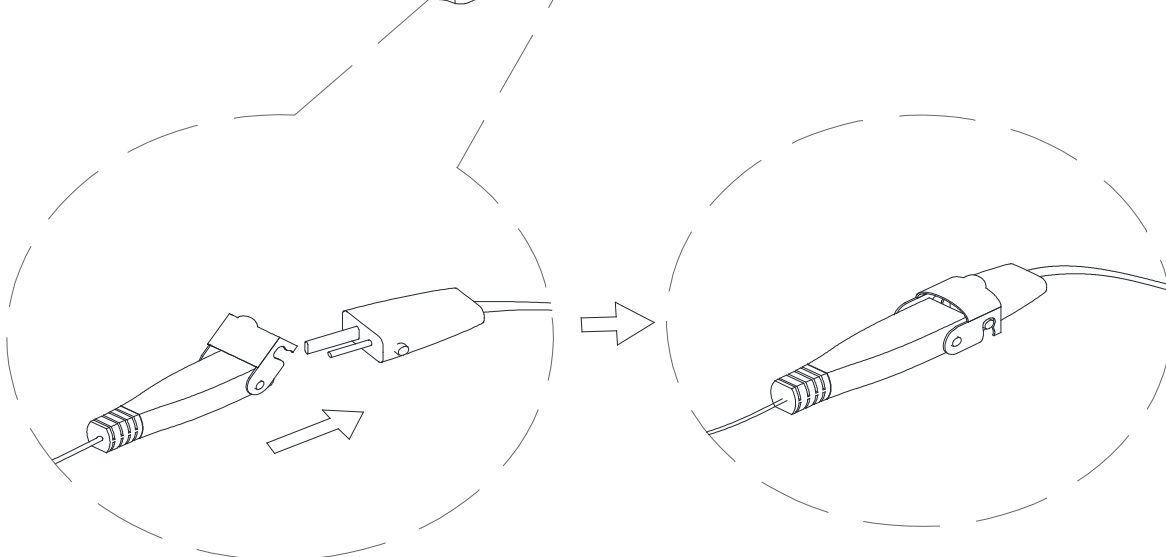
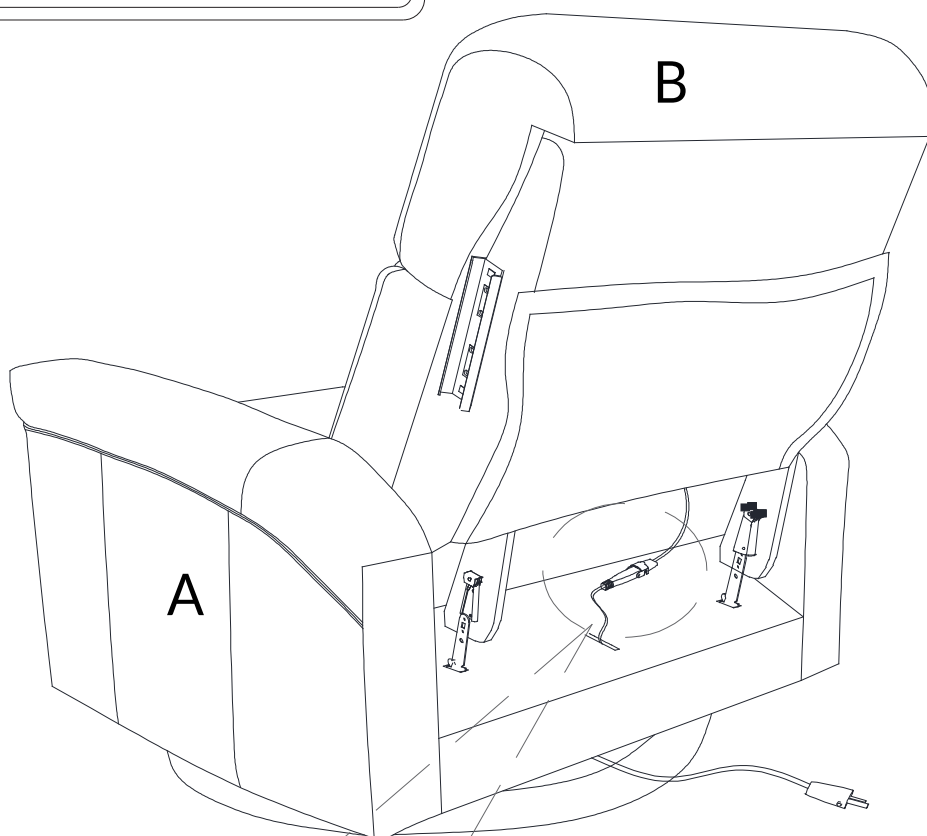
Pull the backrest cover downward and secure the bottom in place.



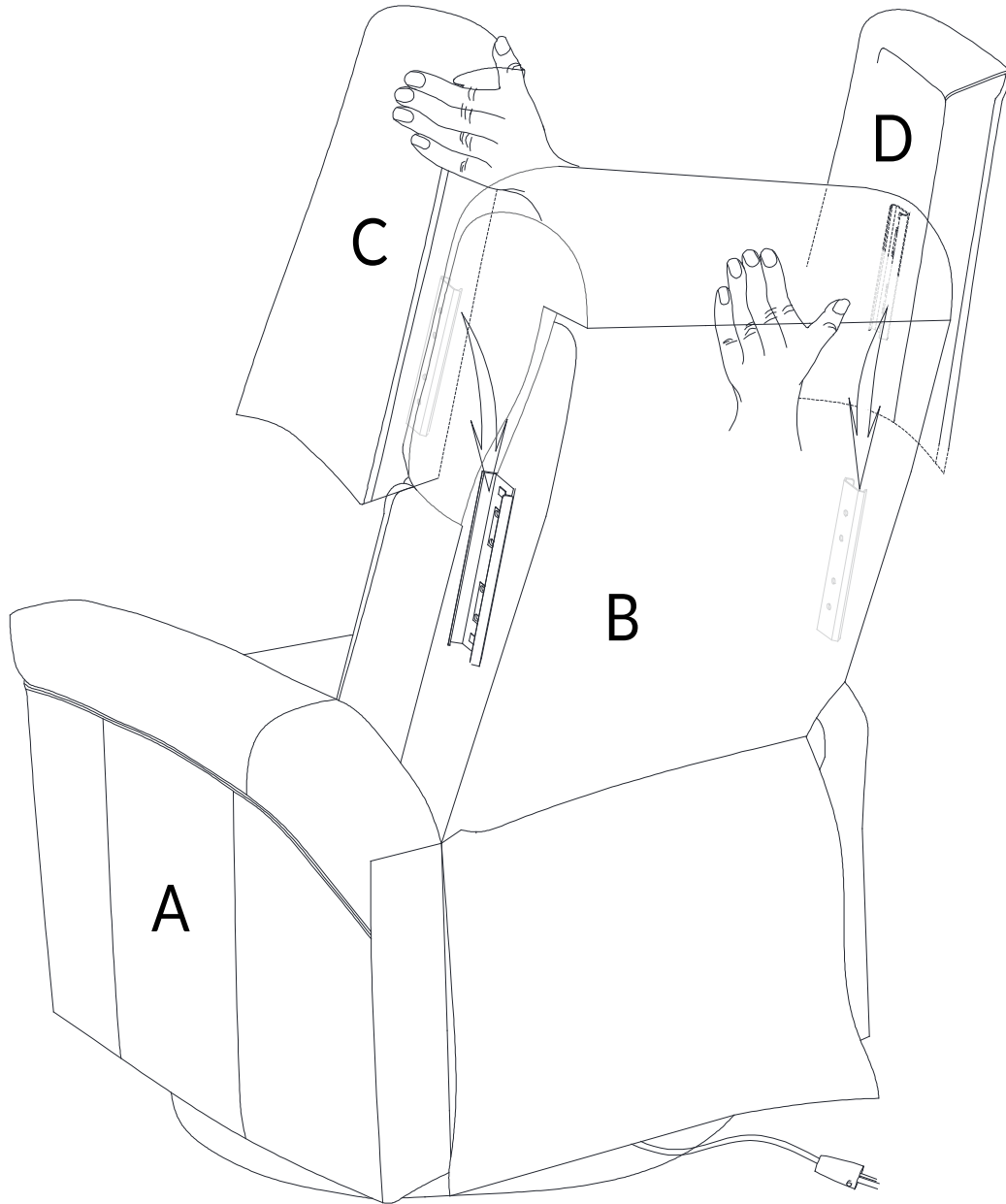
Step 4



The backrest power cable is connected to the seat cushion power cable.



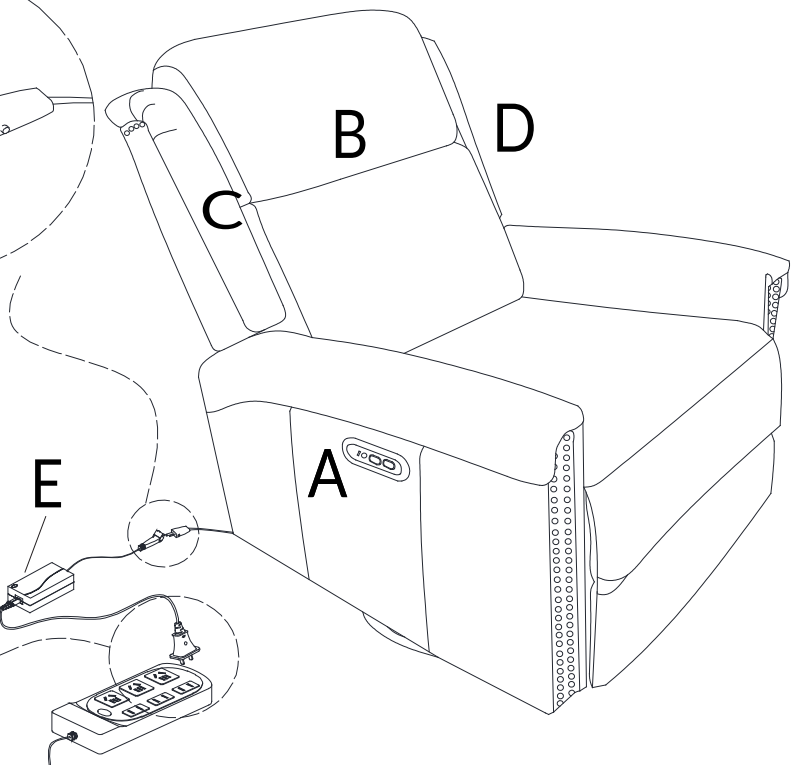
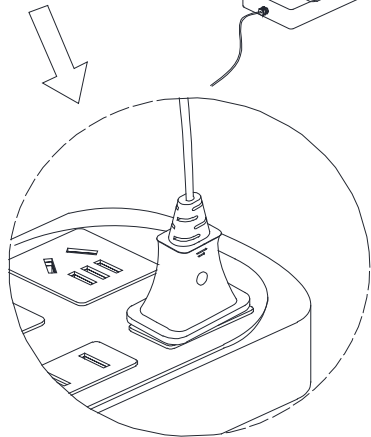
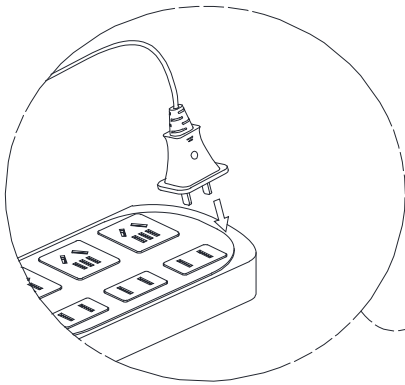
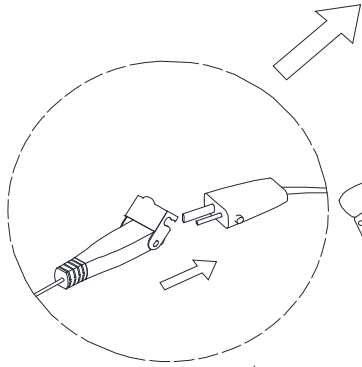
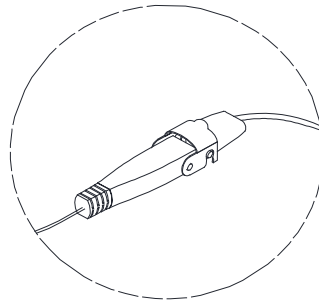
Step 5



Functions Introduction



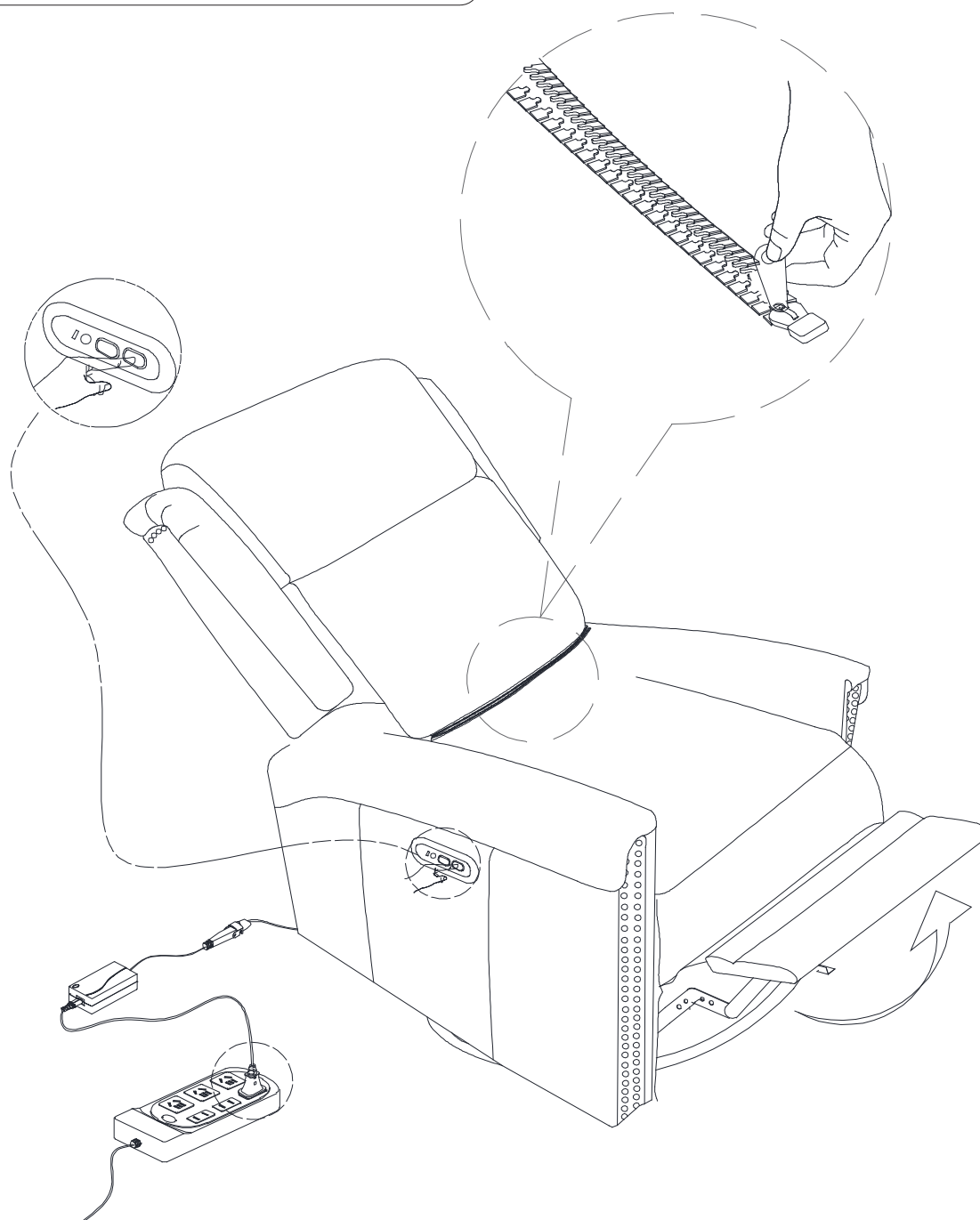
Please connect the cable from the sofa power adapter to the power cord on the back of the sofa, and plug it in.



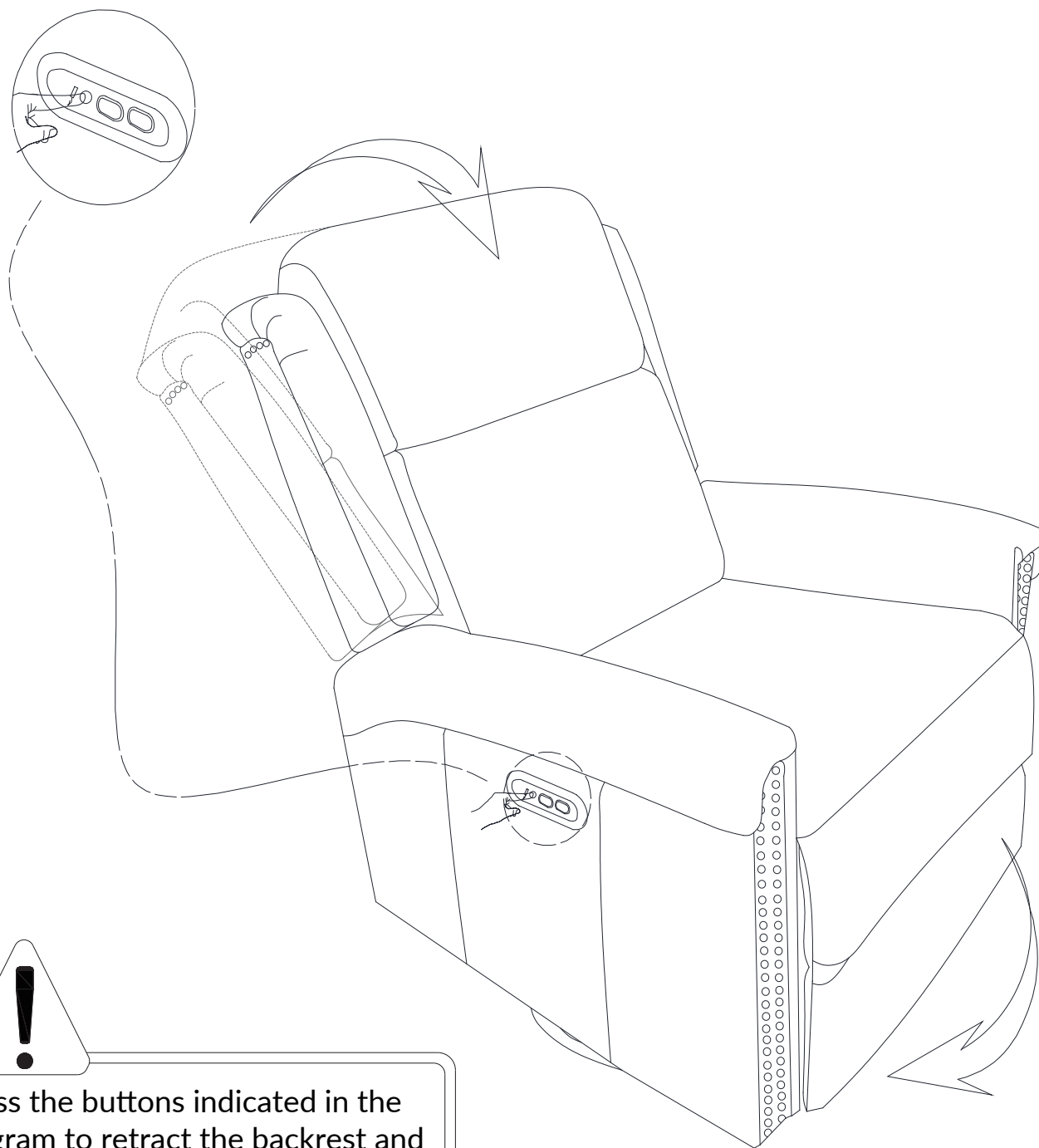
Step 6



First, follow the diagram to tilt the backrest switch down, then zip up the zipper.



Step 7

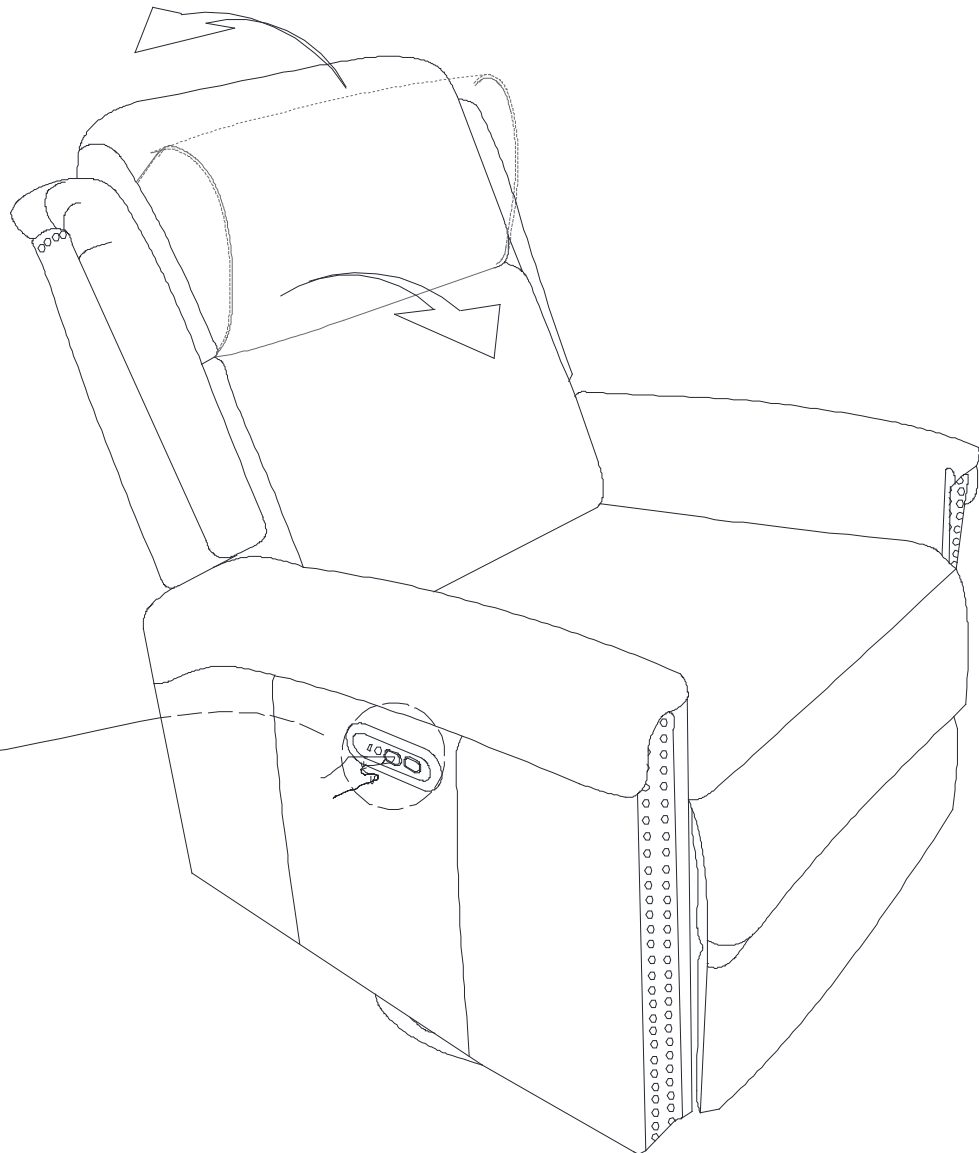
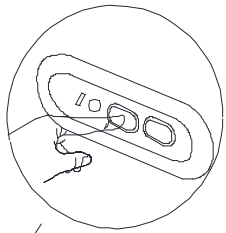


Press the buttons indicated in the diagram to retract the backrest and footrest.

Step 8



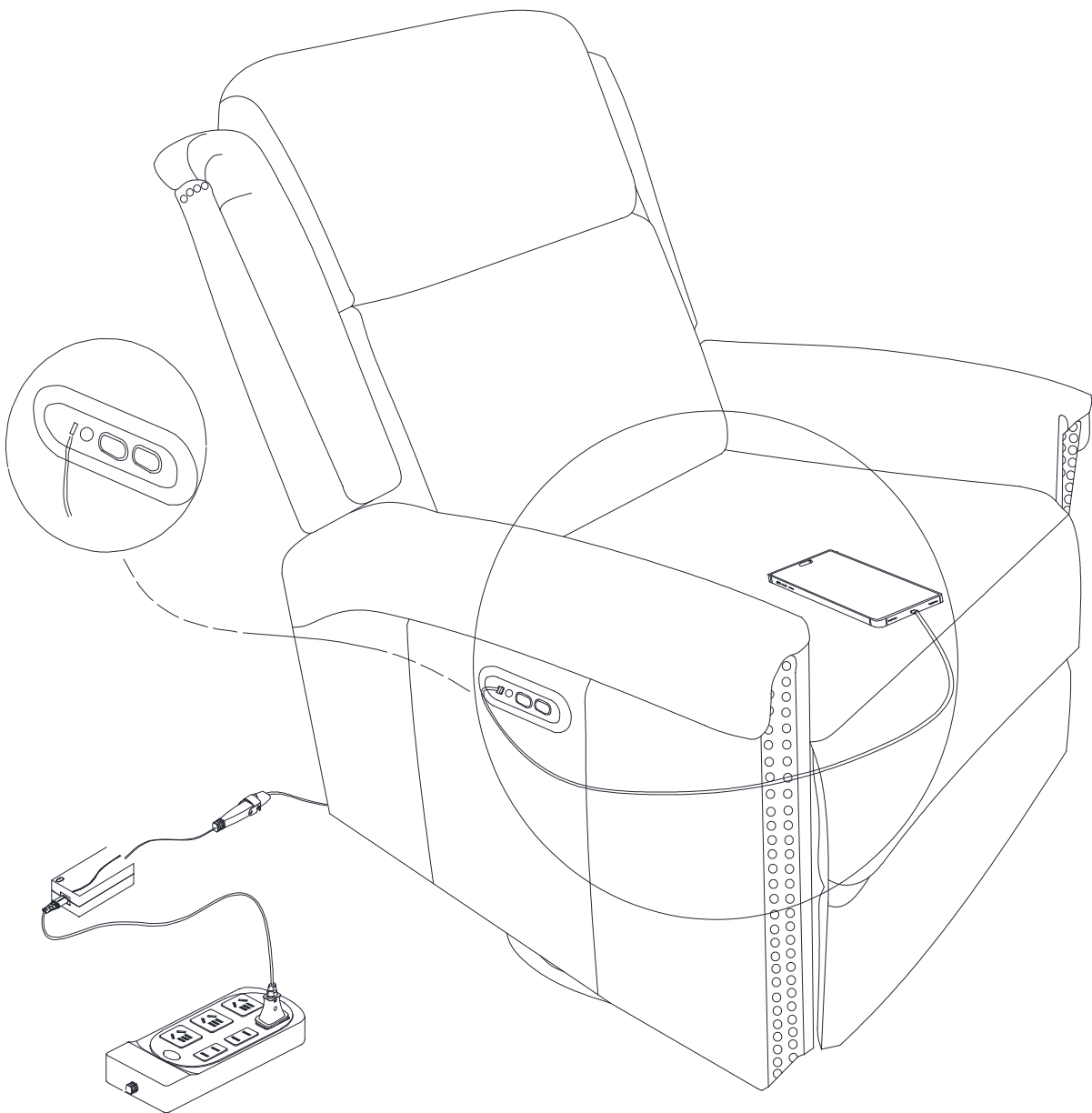
The buttons in the picture can adjust the backrest headrest.



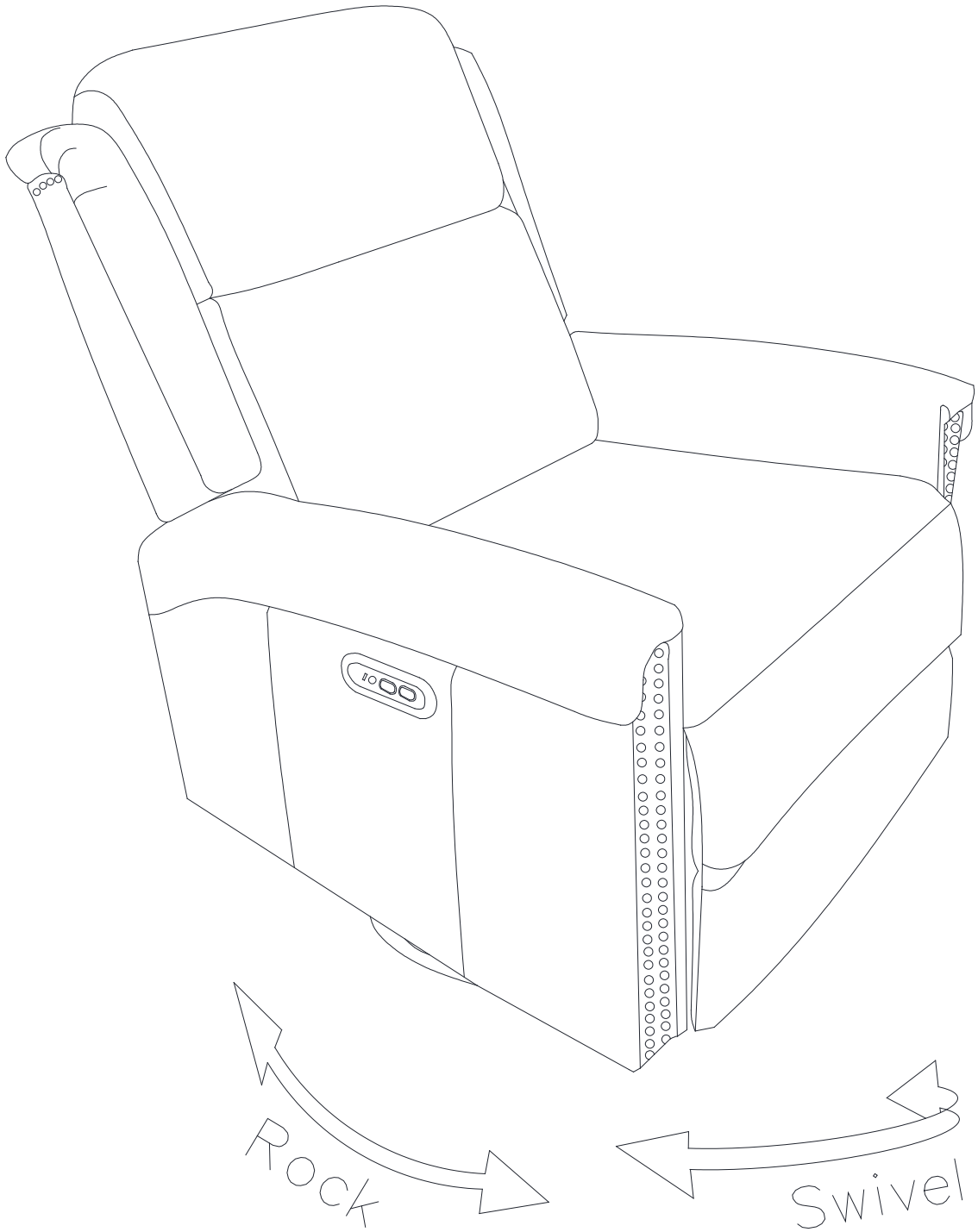
Step 9



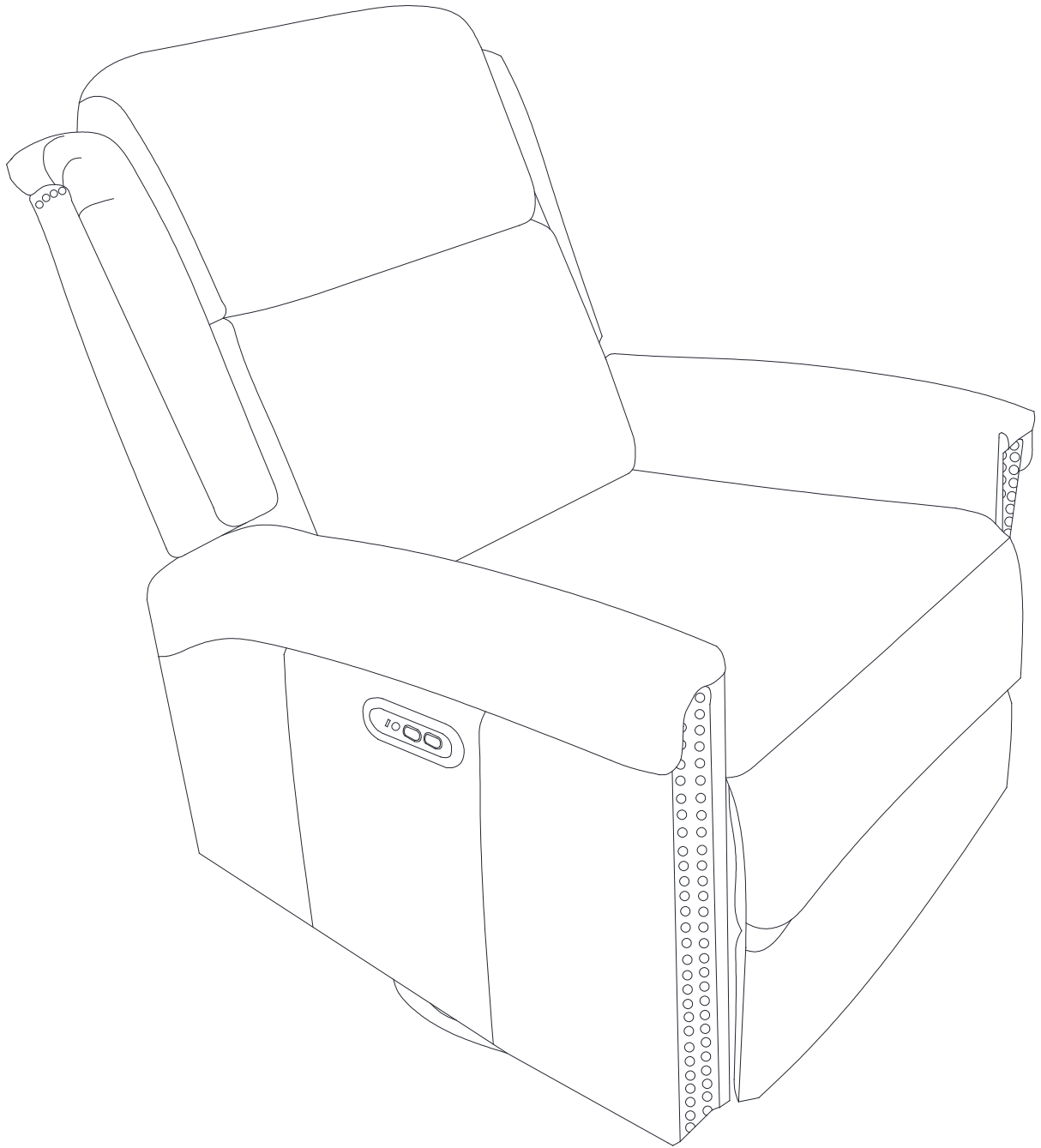
USB power port, can charge mobile phones.



Step 10



Step 11



WARRANTY

- We strive to offer quality products, and we also try our best to satisfy every customer who orders from us with products or services as needed.
- Replacement parts can be purchased from our company if available.
- For returns, please check the return policy with the retailer or marketplace where you purchased the item.