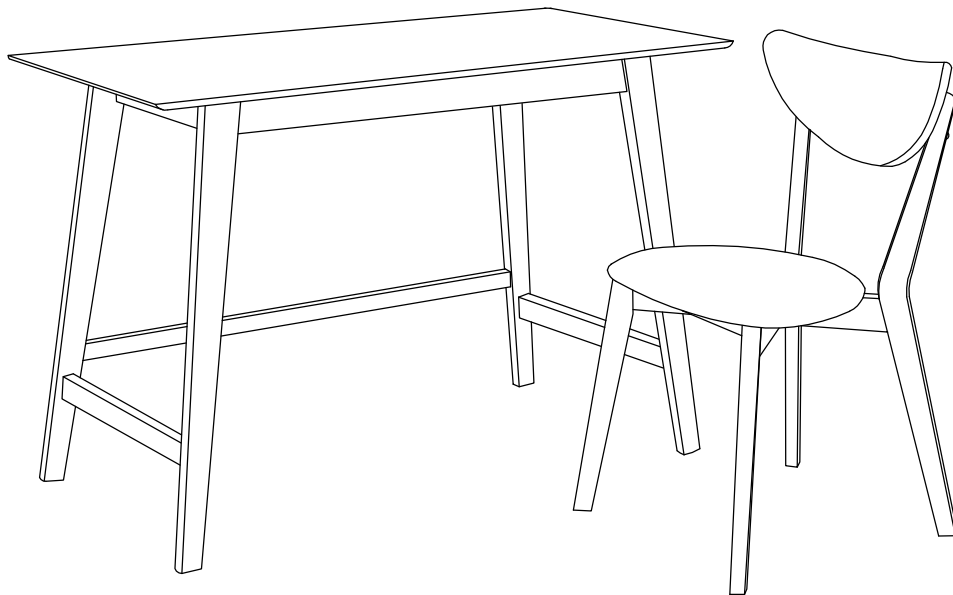


# ASSEMBLY INSTRUCTIONS



*Fine Furniture for every stage of life*

**2Pc Desk Set**

REVISION 0 : 11/17/2016  
REVISION 1 : 04/22/2019  
REVISION 2 : 02/02/2020

**PAGE 1 OF 9**

# ASSEMBLY INSTRUCTIONS

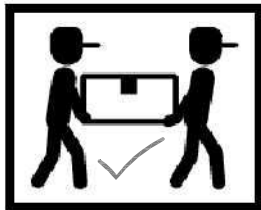
## ASSEMBLY TIPS :

1. Remove hardware from box and sort by size.
2. Please check to see that all hardware and parts are present prior to start of assembly.
3. Please follow attached instructions in the same sequence as numbered to assure fast & easy assembly.



### WARNING !

1. Don't attempt to repair or modify parts that are broken or defective. Please contact the store immediately.
2. This product is for home use only and not intended for commercial establishments.



ASSEMBLY TIME

45 MINUTES

## PARTS IDENTIFICATION

A	DESK TOP		1PC
B	DESK LEG (WITH "B" LABEL)		1PC
C	DESK LEG (WITH "C" LABEL)		1PC
D	DESK LEG (WITH "D" LABEL)		1PC
E	DESK LEG (WITH "E" LABEL)		1PC
F	LONG TRESTLE BAR		1PC
G	SHORT TRESTLE BAR		2PCS
H	BACKREST		1PC
I	UPPER LEG FRAME		1PC
J	LOWER LEG FRAME		1PC
K	WOOD CLEAT		1PC
L	SEAT CUSHION		1PC

# ASSEMBLY INSTRUCTIONS

## ASSEMBLY TIPS :

1. Remove hardware from box and sort by size.
2. Please check to see that all hardware and parts are present prior to start of assembly.
3. Please follow attached instructions in the same sequence as numbered to assure fast & easy assembly.








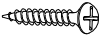


### WARNING !


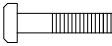
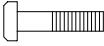




1. Don't attempt to repair or modify parts that are broken or defective. Please contact the store immediately.
2. This product is for home use only and not intended for commercial establishments.

## HARDWARE IDENTIFICATION

### DESK

1	<b>ALLEN WRENCH</b> (M4 x 110MM - BLK)		1PC
2	<b>LONG BOLT</b> (M6 x 70MM - RBW)		8PCS
3	<b>SHORT BOLT</b> (M6 x 50MM - RBW)		2PCS
4	<b>SMALL LOCK WASHER</b> (1/4" - BLK)		2PCS
5	<b>BIG LOCK WASHER</b> (5/16" - RBW)		8PCS
6	<b>SMALL FLAT WASHER</b> (M6 x 13MM - RBW)		2PCS
7	<b>BIG FLAT WASHER</b> (5/16" - RBW)		8PCS
8	<b>PAN HEAD SCREW</b> (#8 x 1 1/2" - BLK)		4PCS

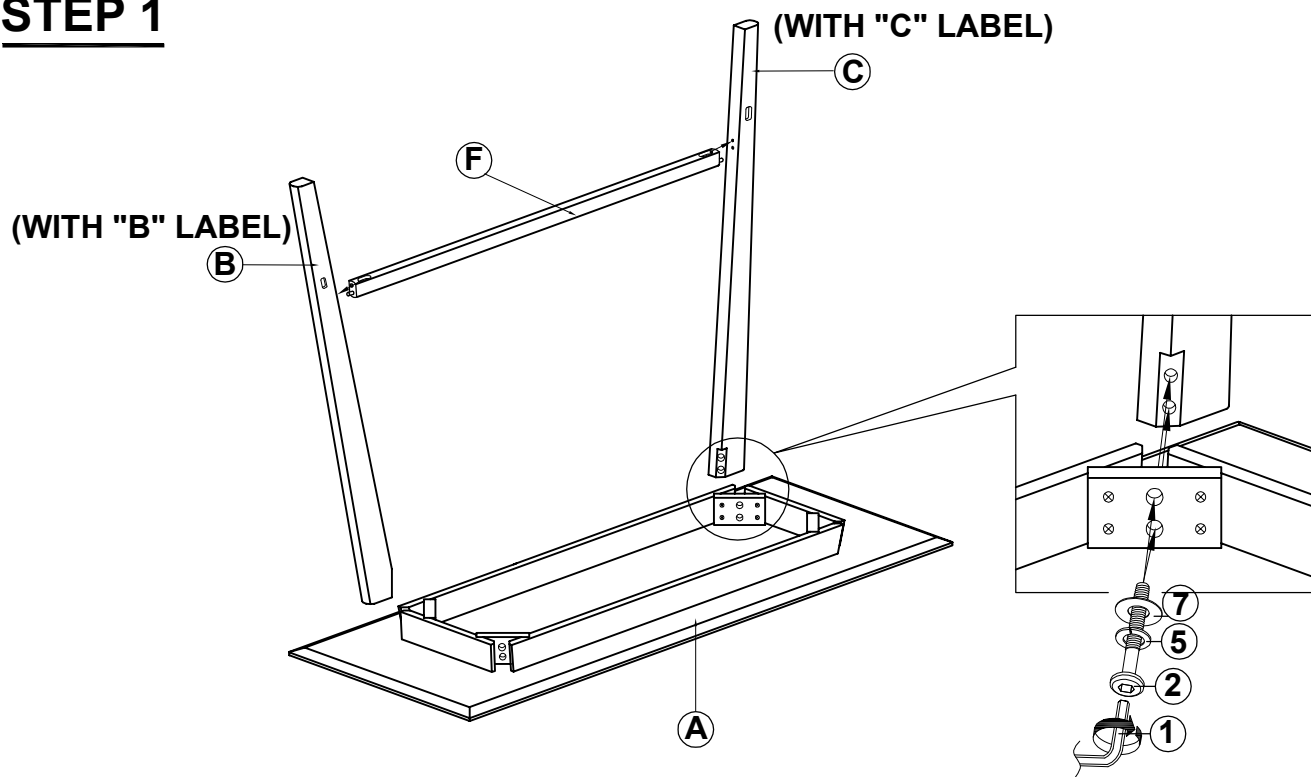
### CHAIR

9	<b>LONG BOLT</b> (M6 x 60mm - RBW)		4PCS
10	<b>MEDIUM BOLT</b> (M6 x 35mm - RBW)		4PCS
11	<b>SHORT BOLT</b> (M6 x 25mm - RBW)		4PCS
12	<b>LOCK WASHER</b> (1/4" - BLK)		8PCS
13	<b>FLAT WASHER</b> (M6 x 13MM - RBW)		4PCS
14	<b>BOLT</b> (M7 x 50MM - ZB)		1PC
15	<b>WOOD PLUG</b> (Ø14.5 x9MM)		4PCS

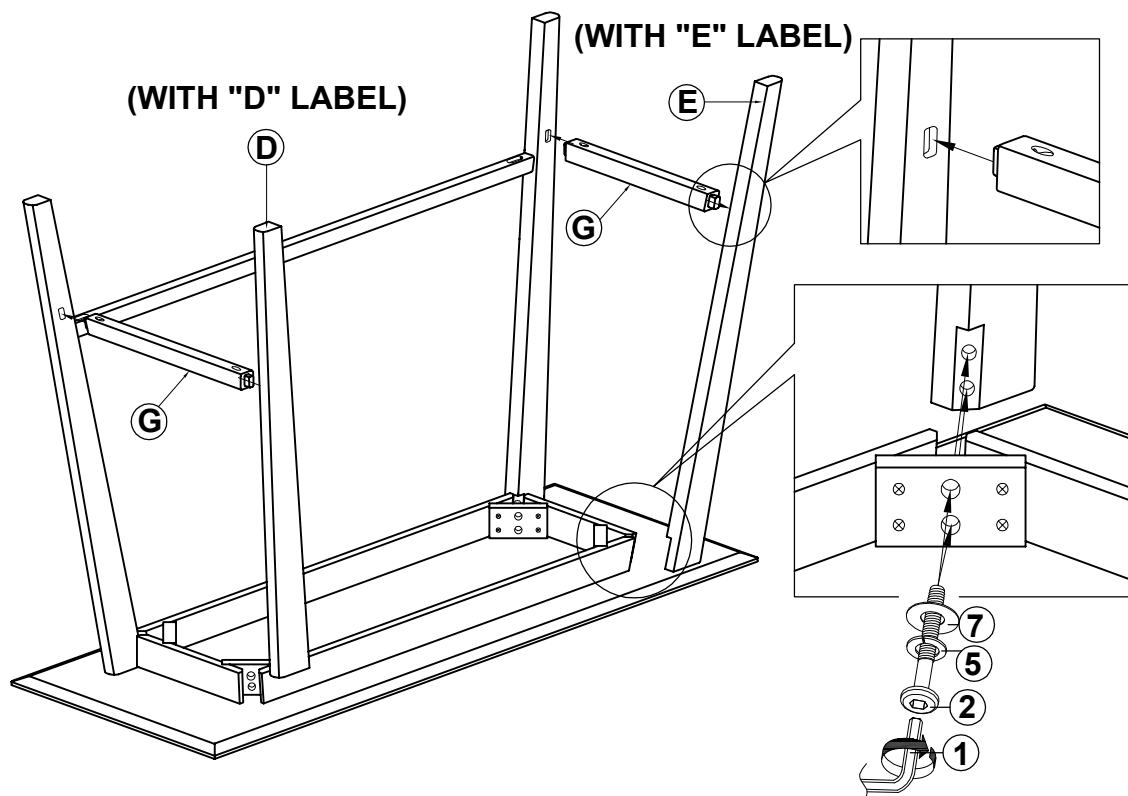
# ASSEMBLY INSTRUCTIONS

## DESK

### STEP 1

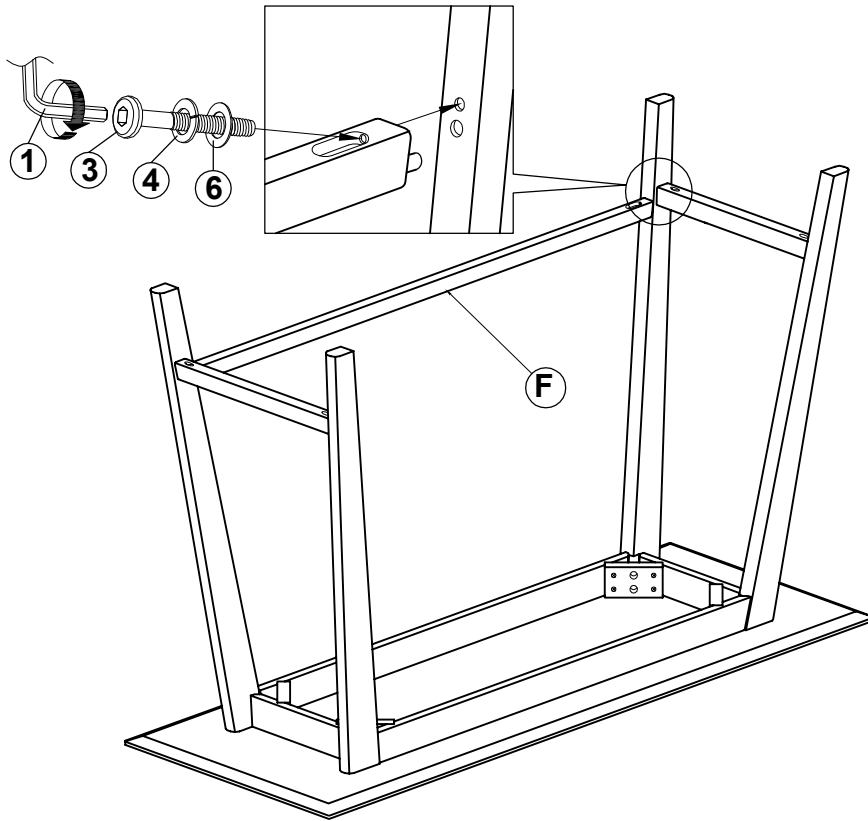


### STEP 2

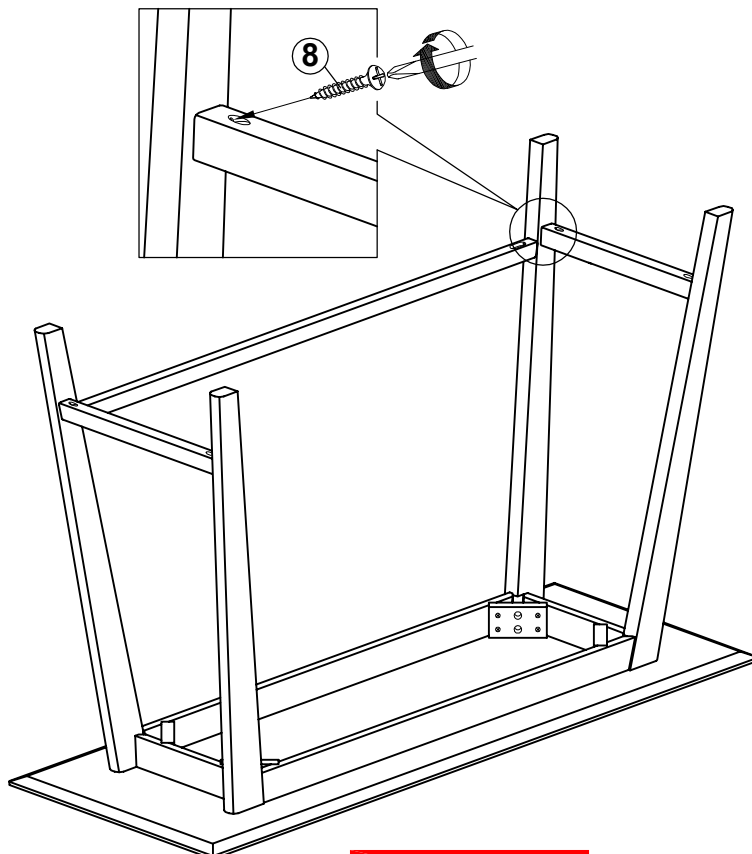


# ASSEMBLY INSTRUCTIONS

## STEP 3



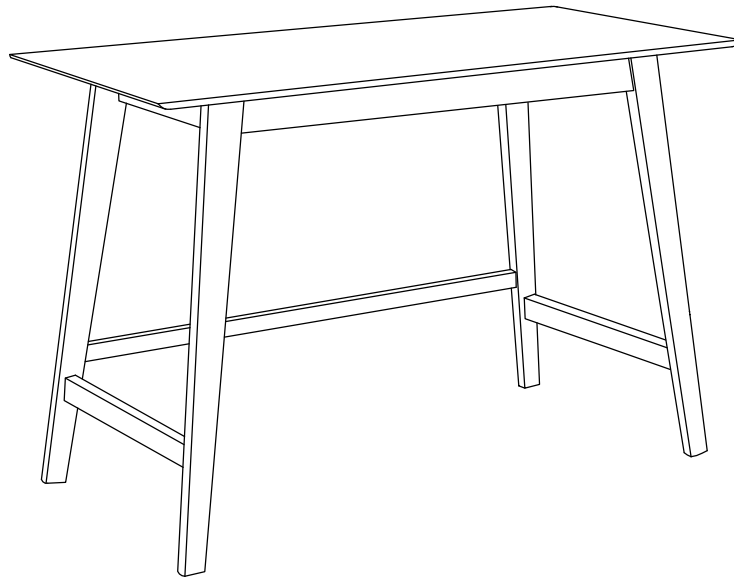
## STEP 4



# ASSEMBLY INSTRUCTIONS

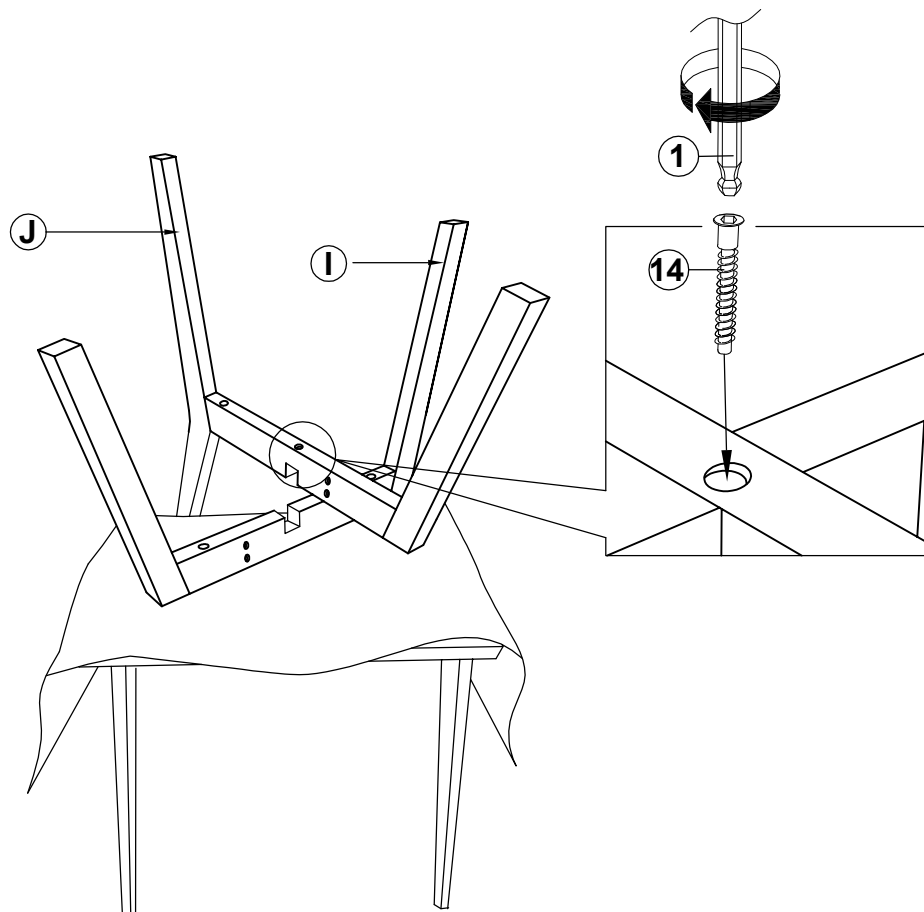
## STEP 5

## COMPLETE



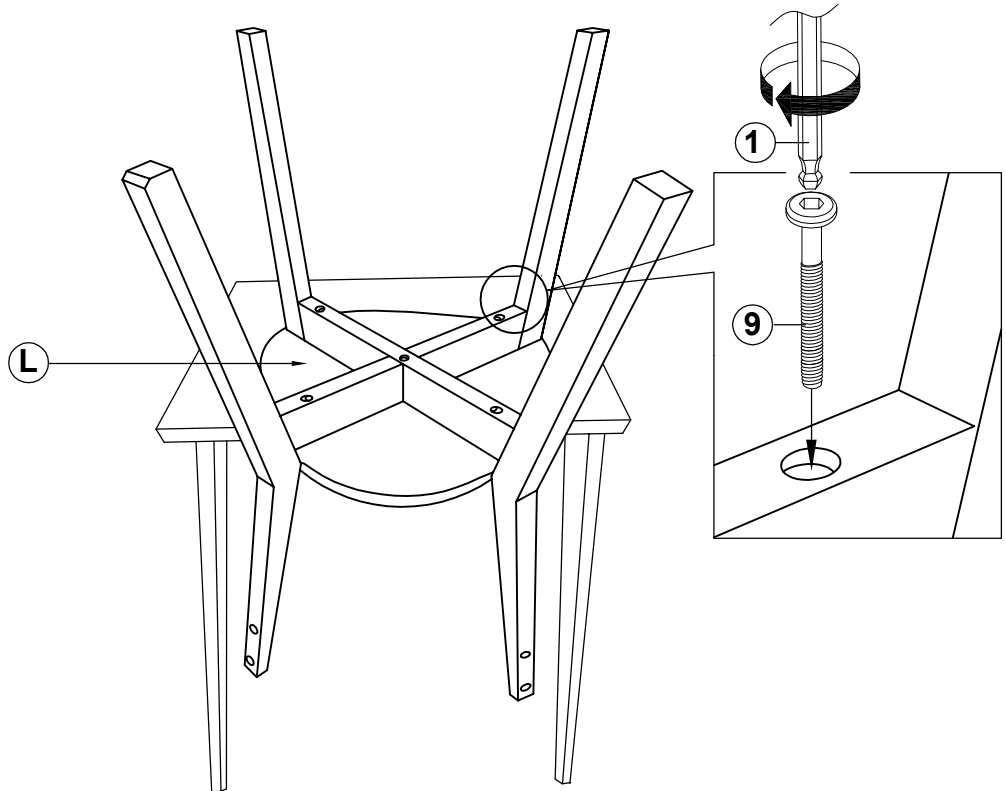
## CHAIR

## STEP 6

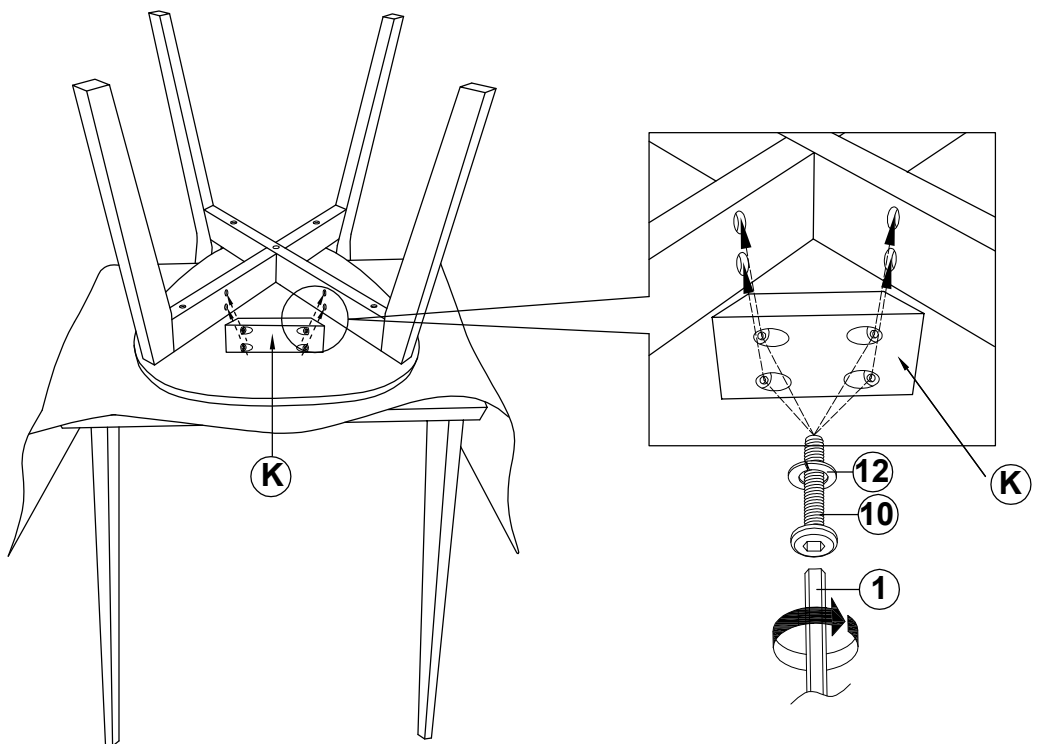


# ASSEMBLY INSTRUCTIONS

## STEP 7

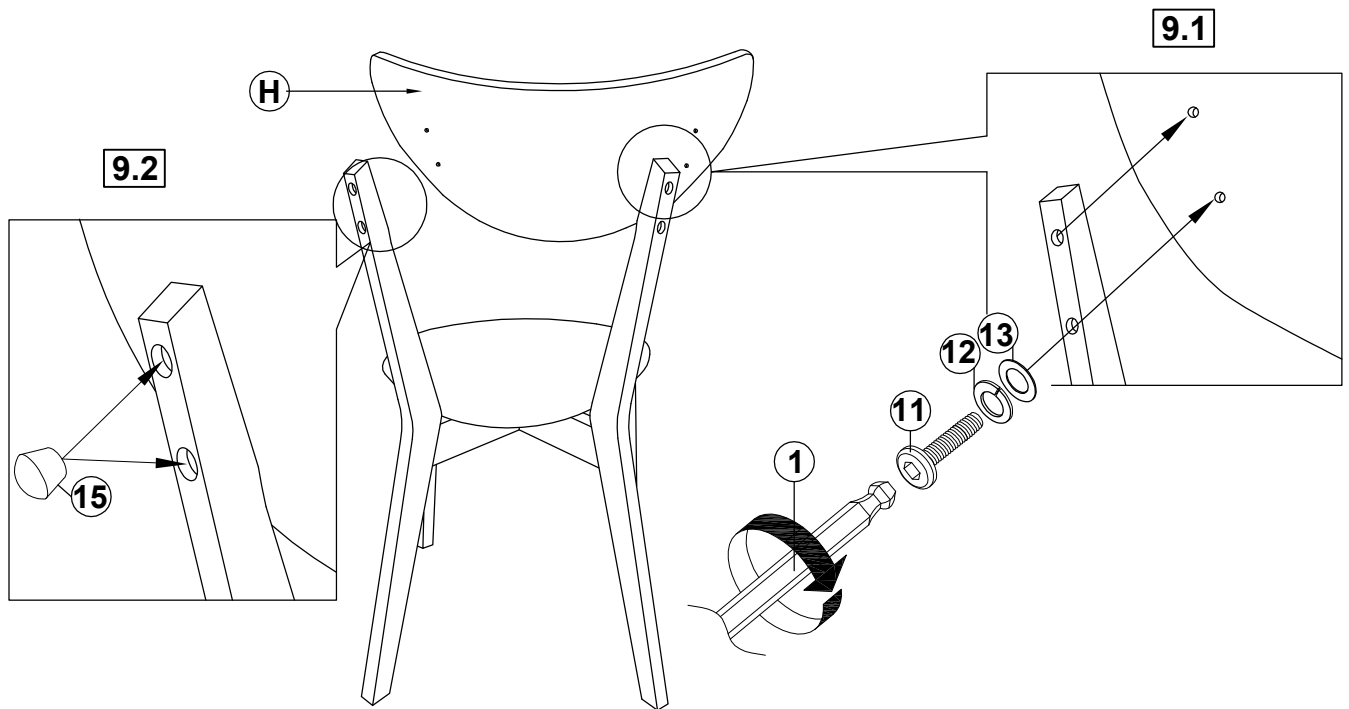


## STEP 8



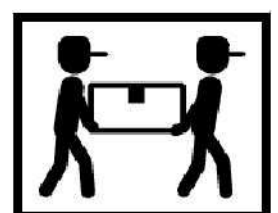
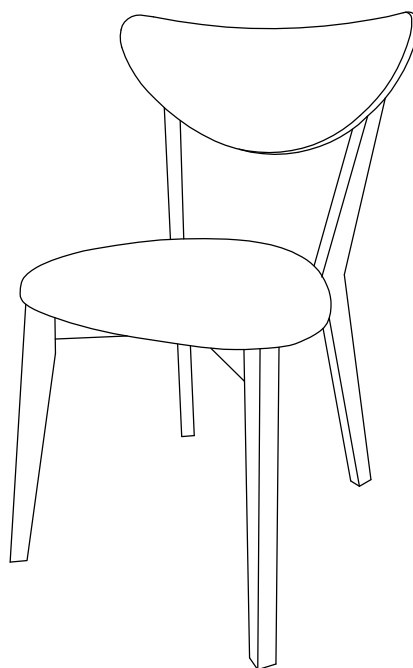
# ASSEMBLY INSTRUCTIONS

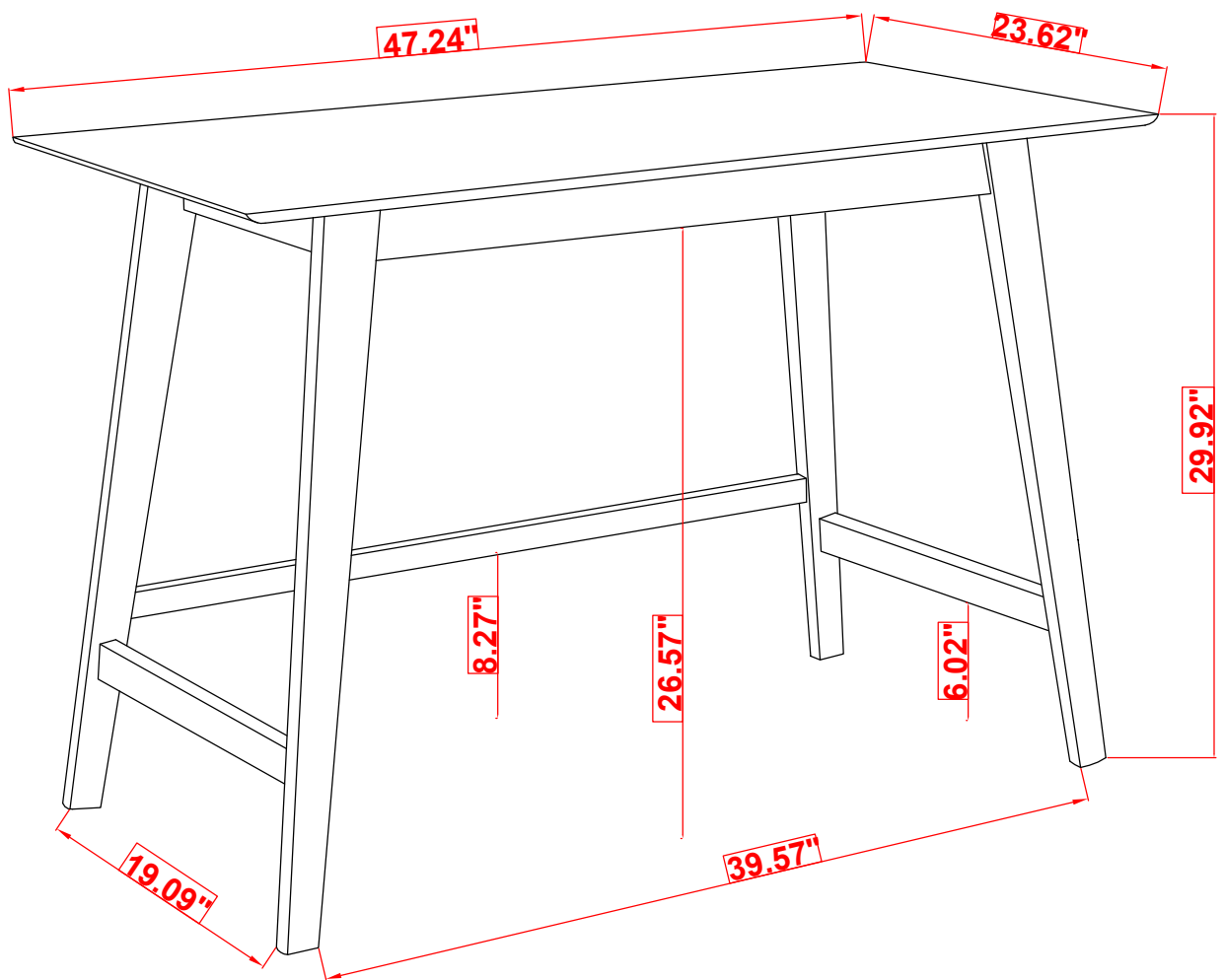
## STEP 9



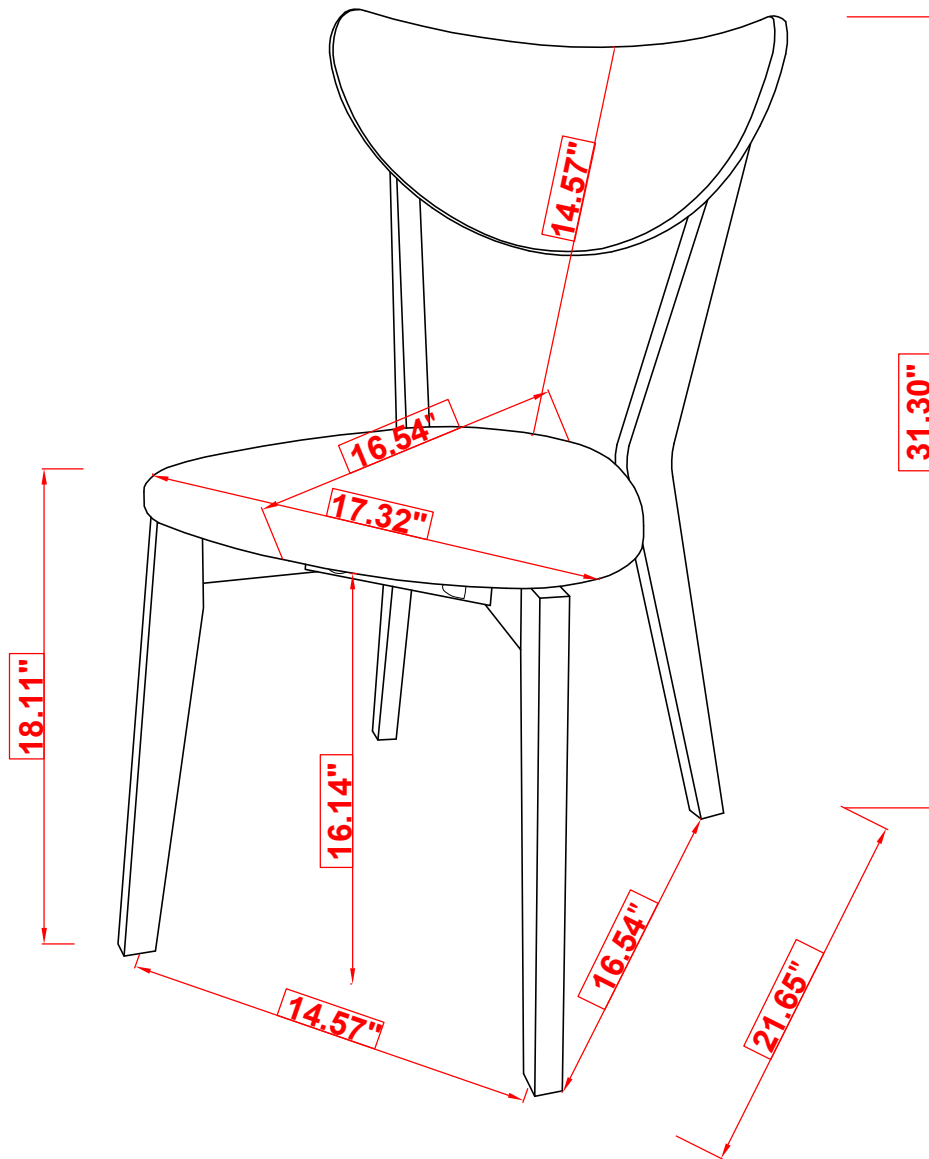
## STEP 10

### COMPLETE





Note : Dimension tolerance  $\pm 5\%$



Note : Dimension tolerance  $\pm 5\%$