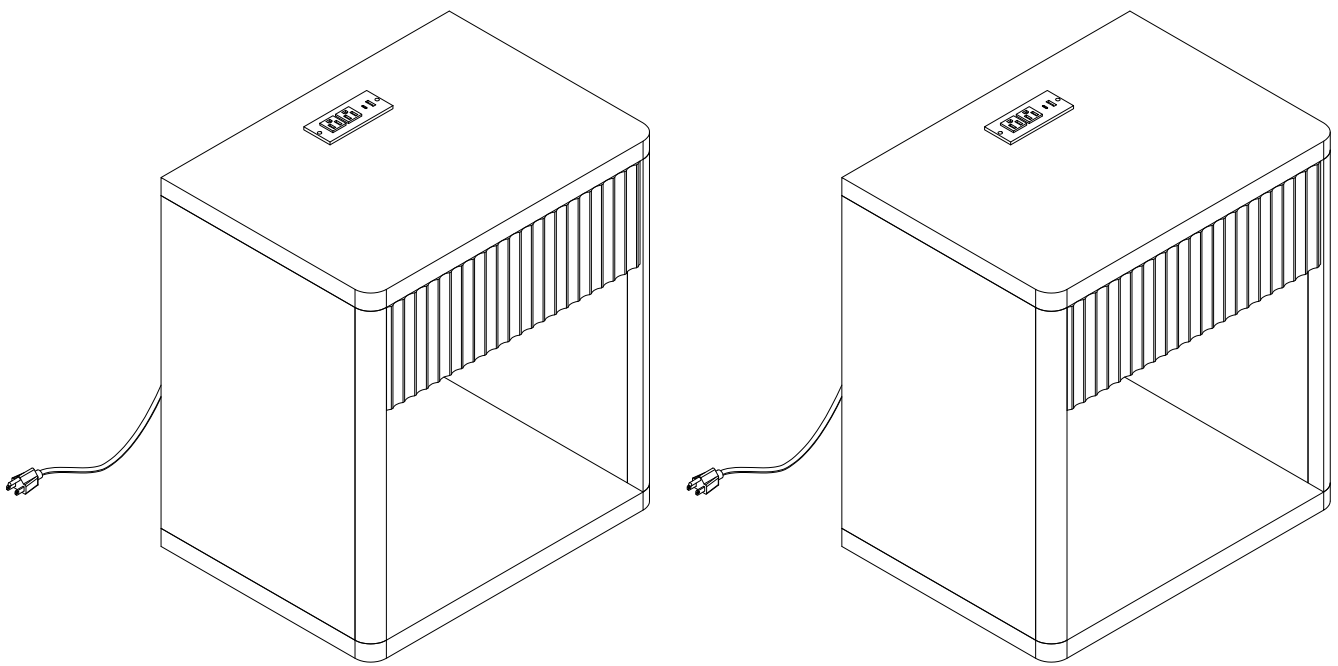


Assembly Instructions



Before Start:



Check part List: Check the part list to make sure you have all parts before starting assembly



Cursory glance: A cursory glance through the manual can help speed up the installation process and reduce mistakes before starting



Follow Instructions: Follow instructions step by step to avoid Unnecessary mistakes, destruction and failure.

Recommended:



Two Person may help assemble work easier.

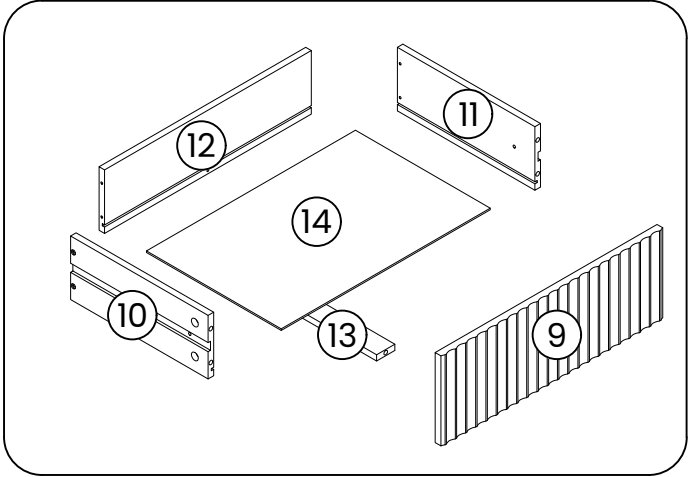
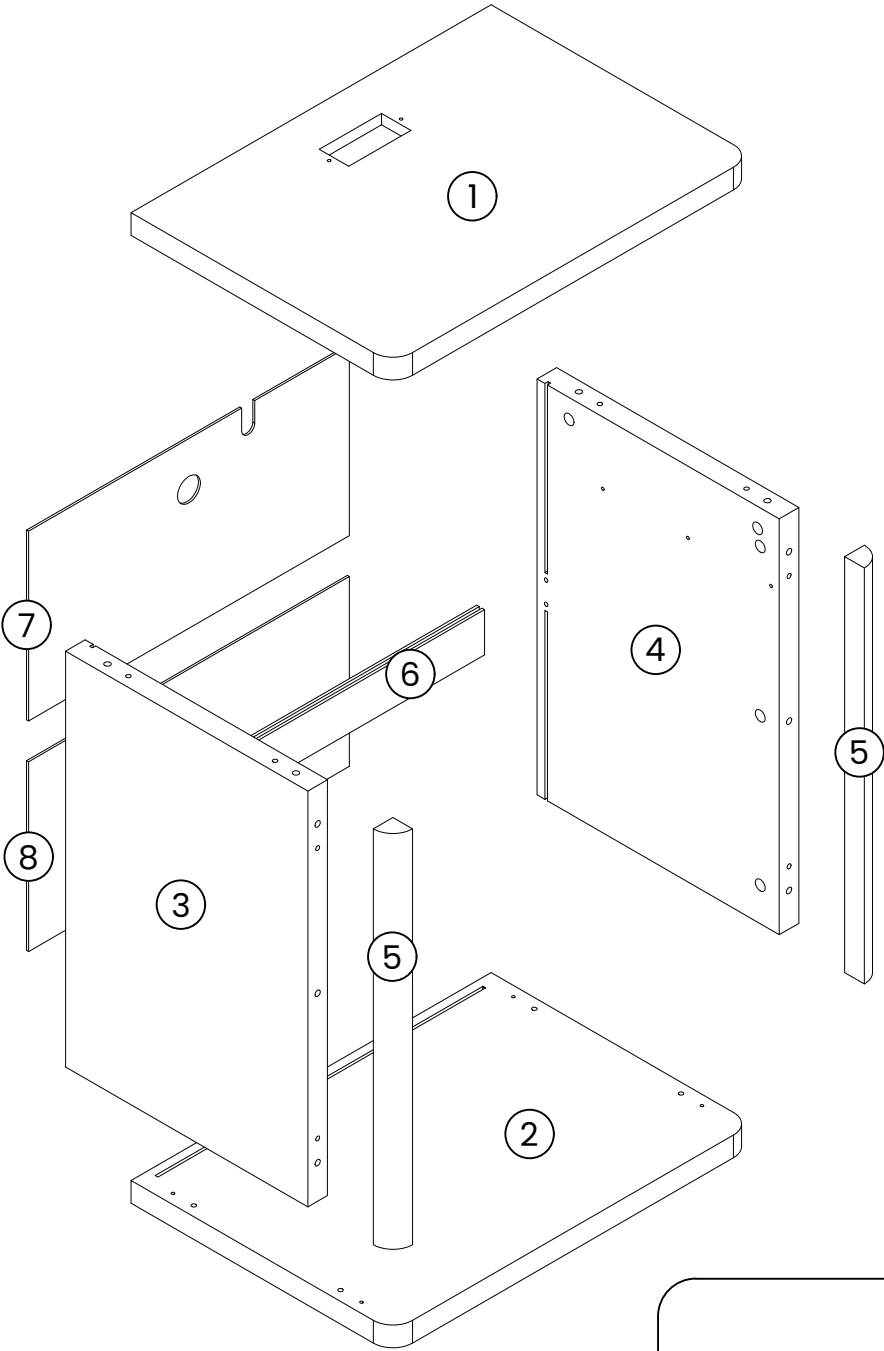


Phillips and hexagonal screwdriver.




Power tools can reduce installation time.


Disassemble diagram:




Hardware Part List

A  M6x35mm x38+2

B  M15x10mm x38+2


C  M6x30mm x24+2

D  x4


E  M3x12mm x12


F  M5x40mm x8

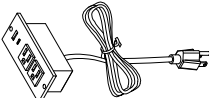
G  x8

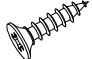
H  M4x12mm x2

I  x2

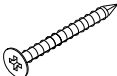
J  x16

K  M3x16mm x16+2

L  x2

M  M3.5x14mm x4

N  M4x30mm x10

O  M4x35mm x2

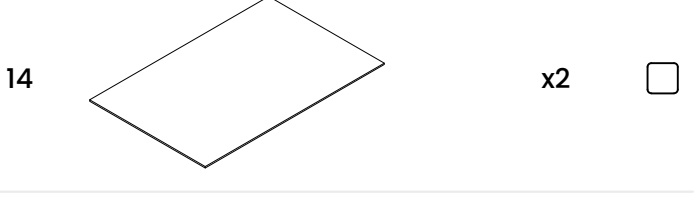
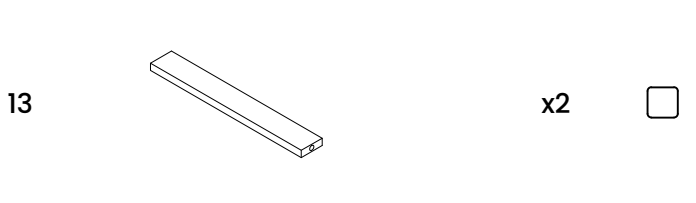
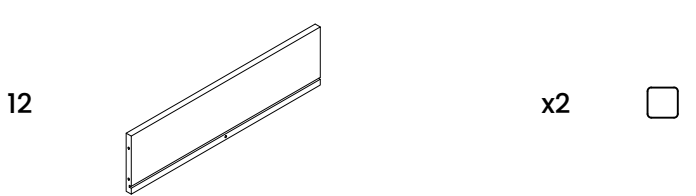
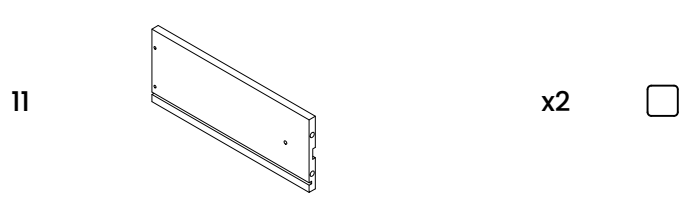
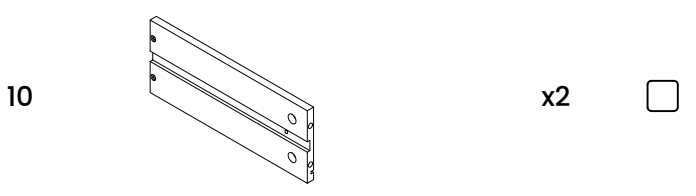
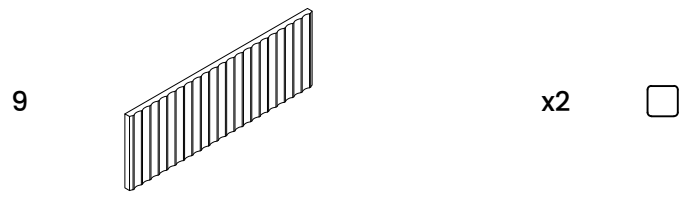
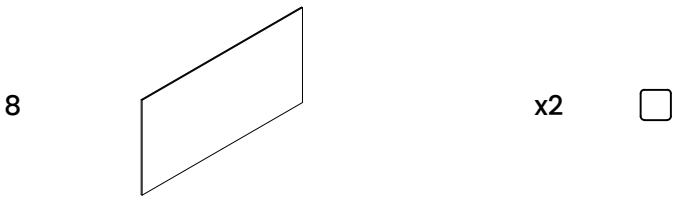
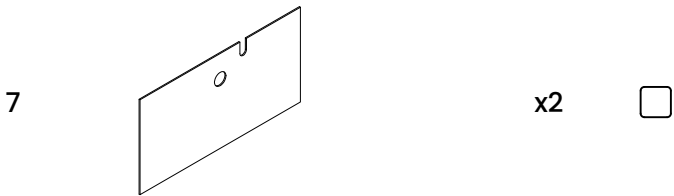
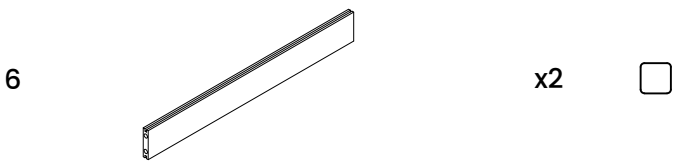
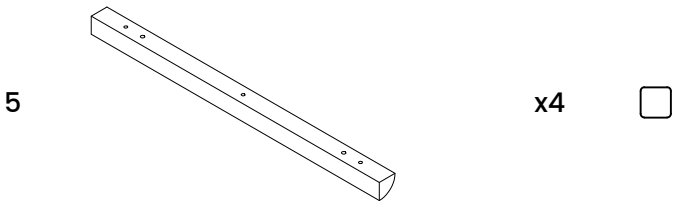
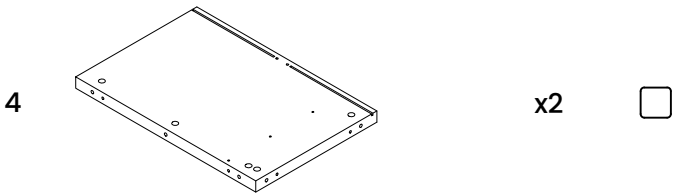
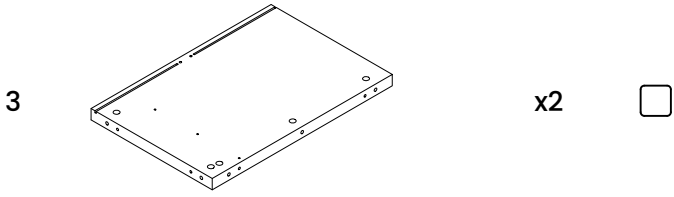
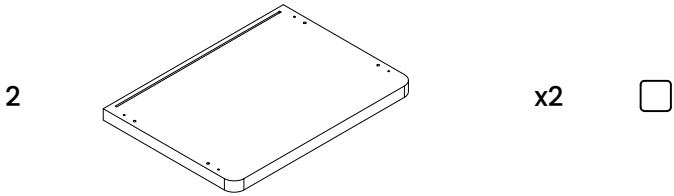
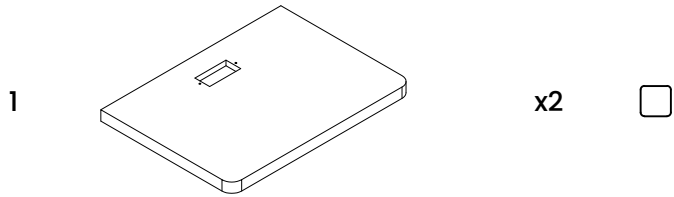
P  x2

Q  M4x9mm x4

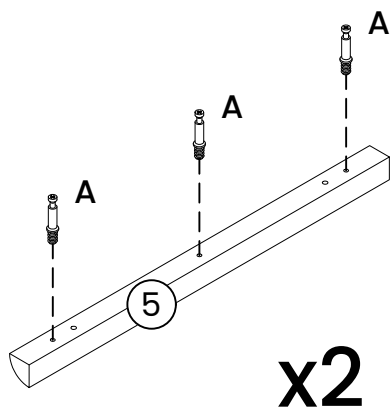
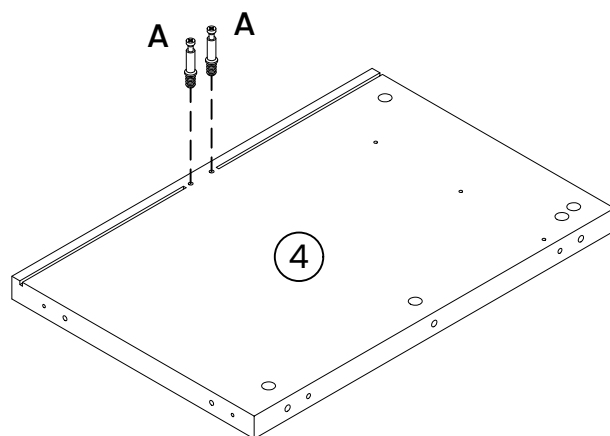
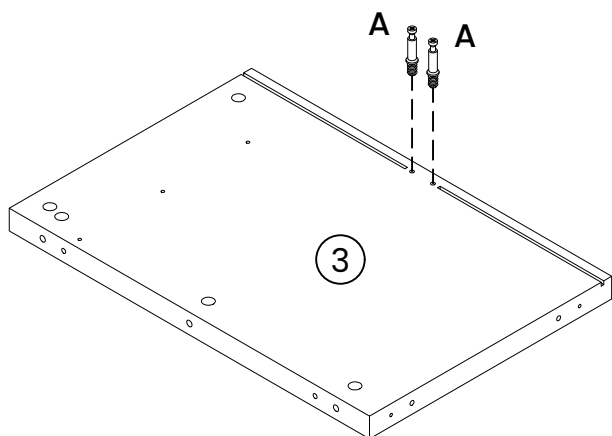
R  x8+2

S  x2

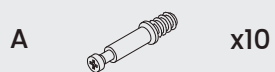
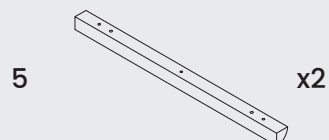
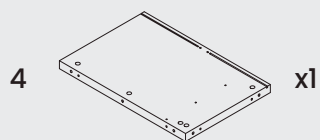
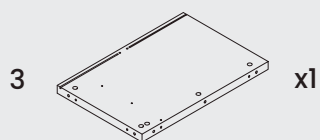
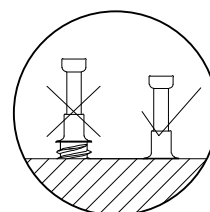
Components Part List



Step 1 / 20

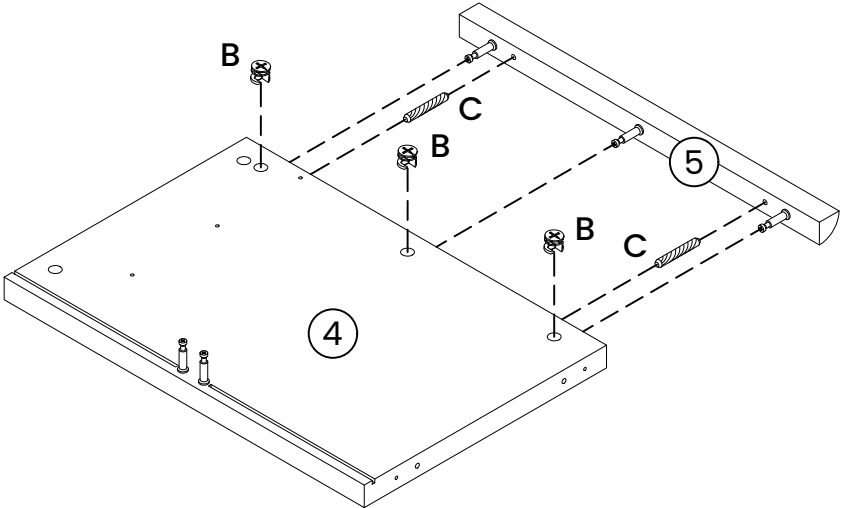
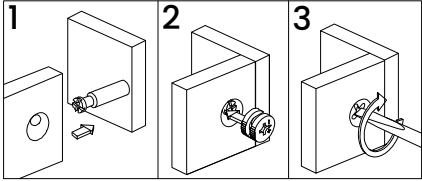
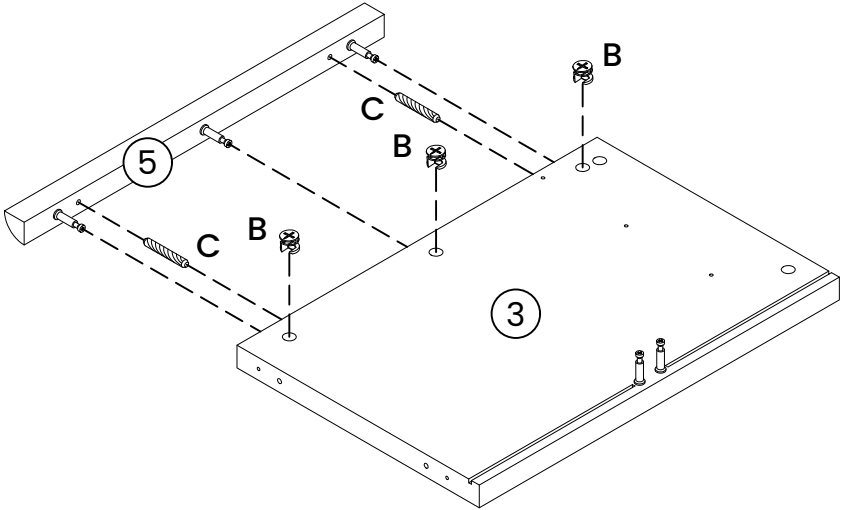




x2



Note:

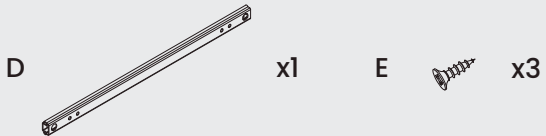
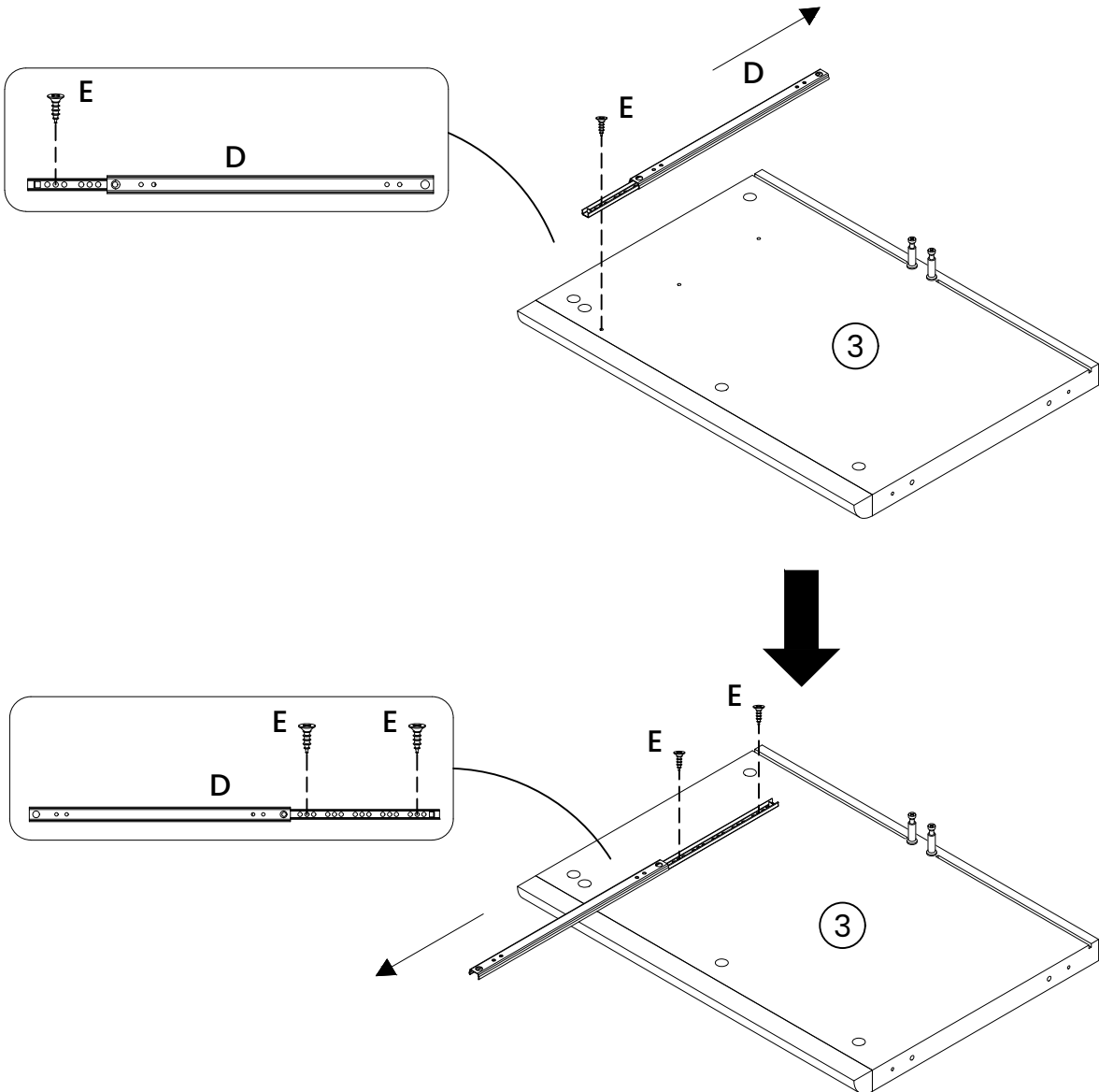
Step 2 / 20



B  x6 C  x4

Note:

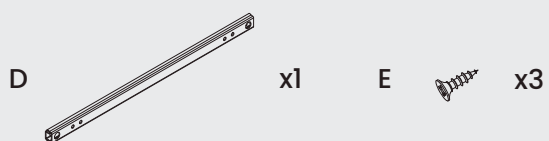
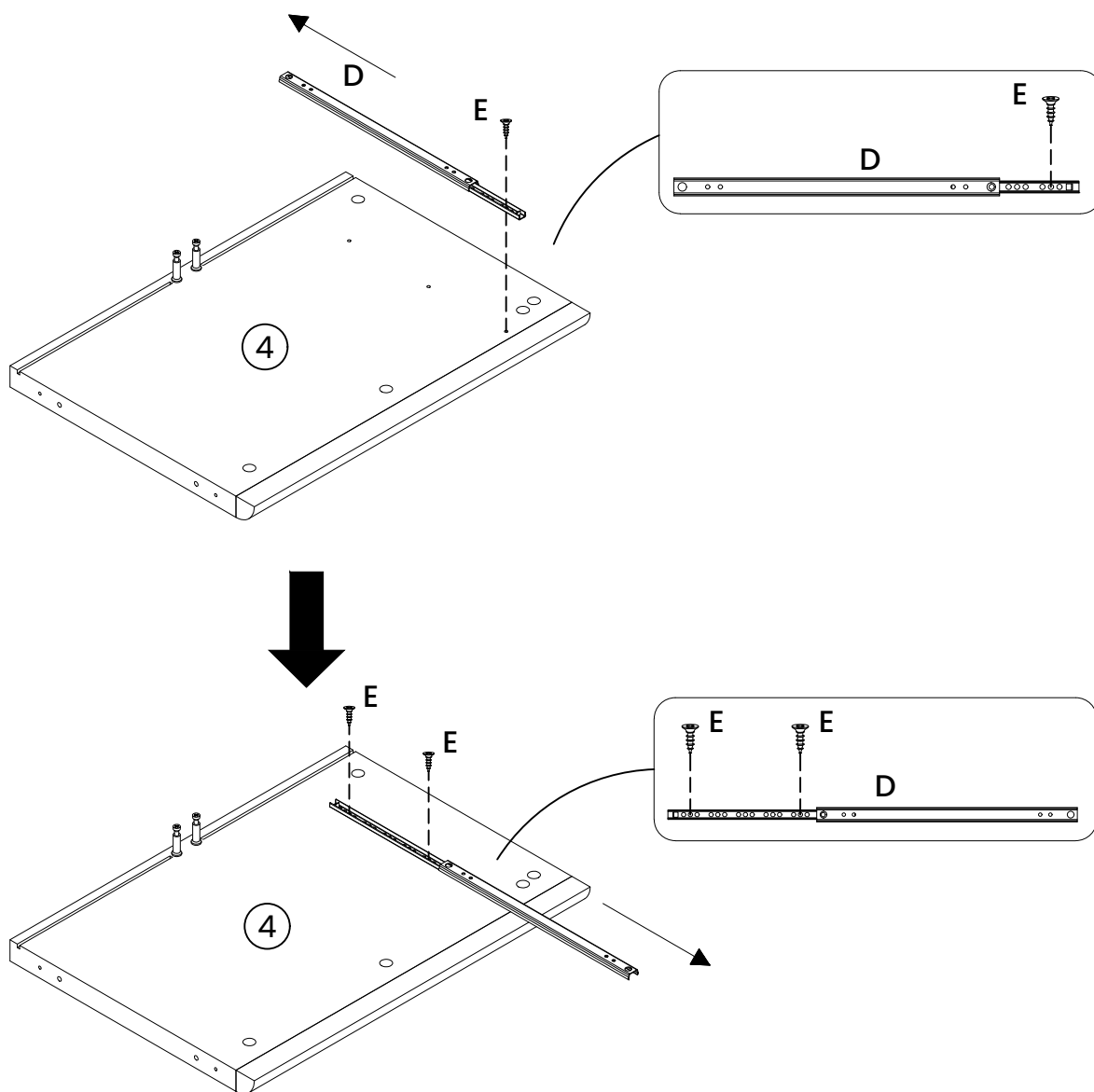
Step 3 / 20



Note:

To locate correct holes, slide(D) needed to be moved in 2 directions.

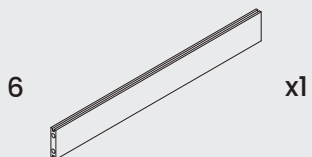
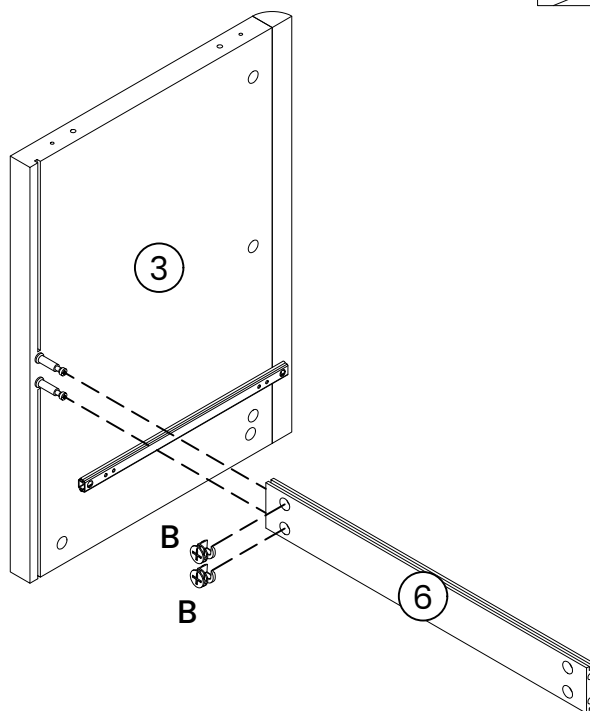
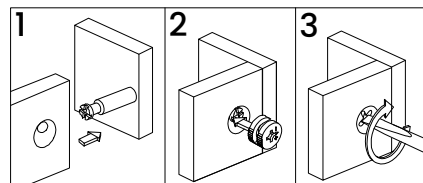
Step 4 / 20



Note:

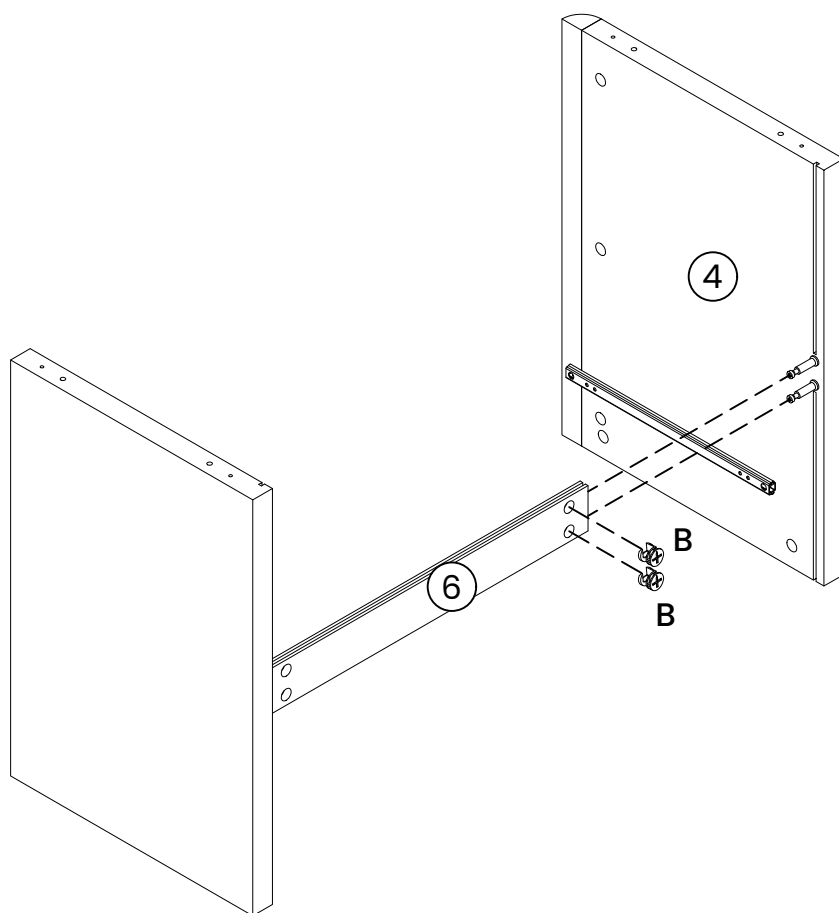
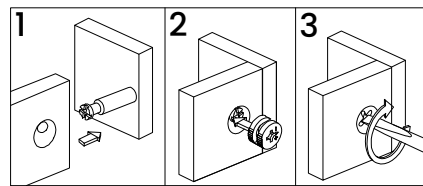
To locate correct holes, slide (D) needed to be moved in 2 directions.

Step 5 / 20



Note:

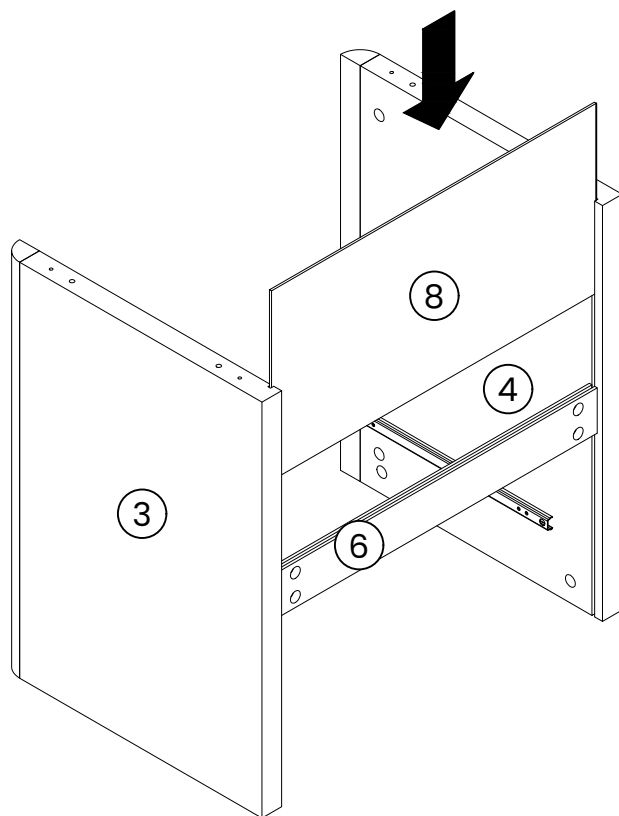
Step 6 / 20



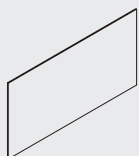
B  x2

Note:

Step 7 / 20



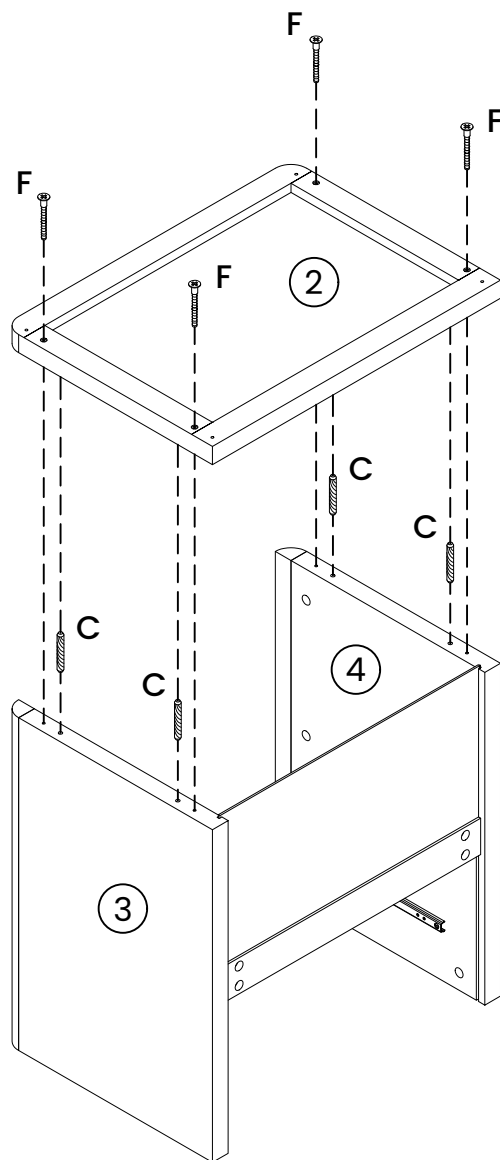
8



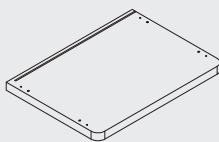
x1

Note:

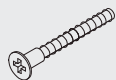
Step 8 / 20



2 x1

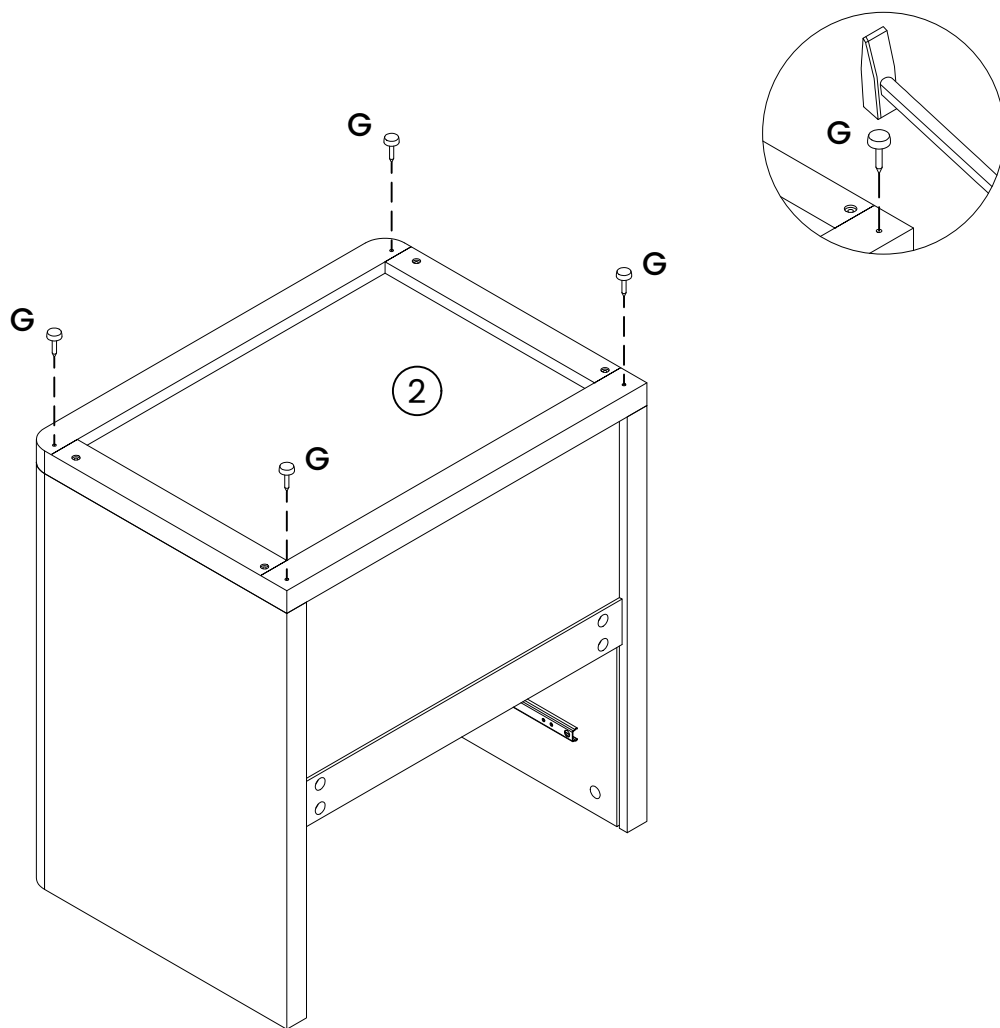


C x4 F x4



Note:

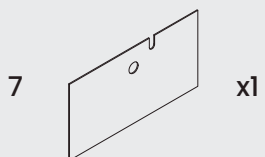
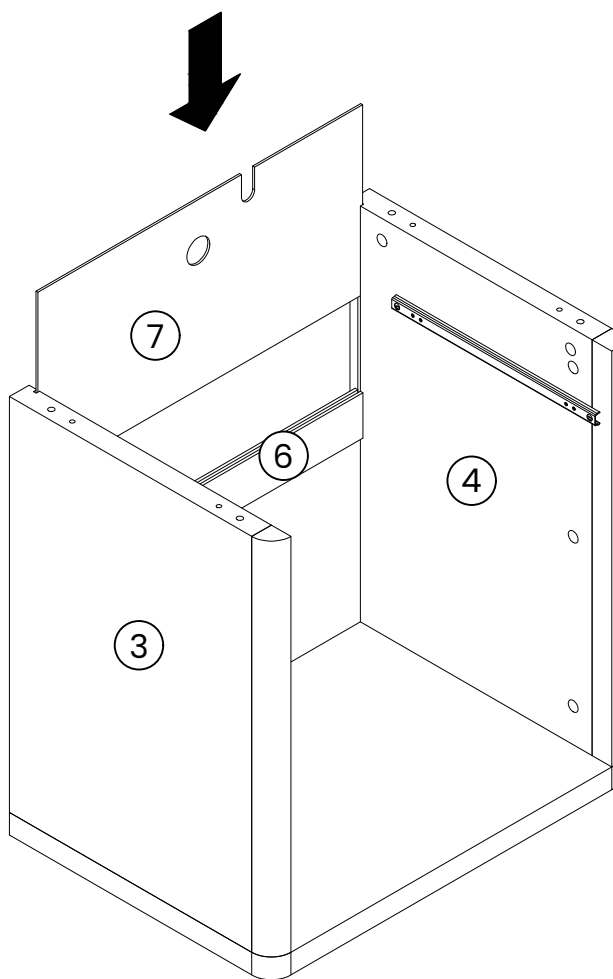
Step 9 / 20



G  x4

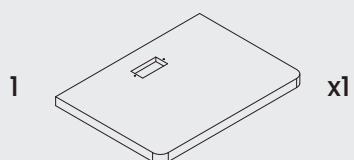
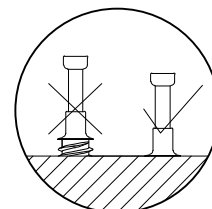
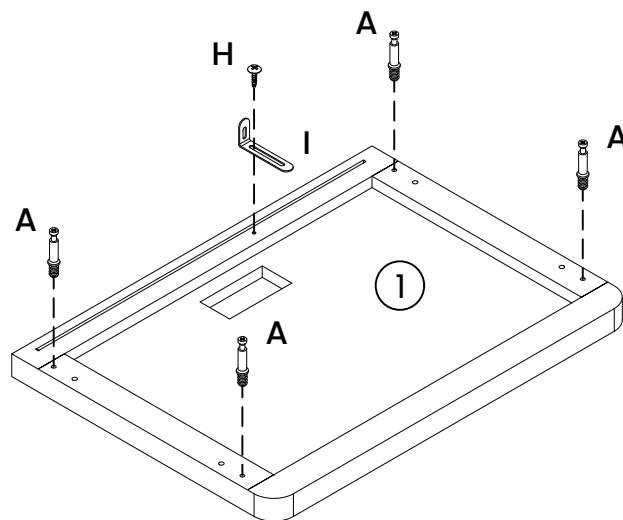
Note:

Step 10 / 20



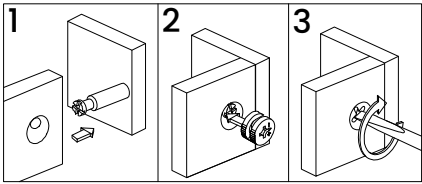
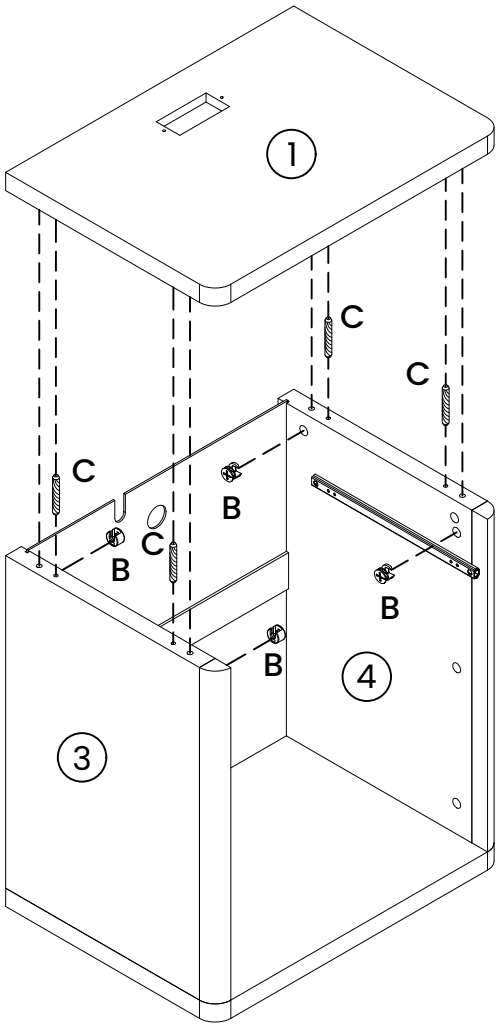
Note:



Step 11 / 20



Note:

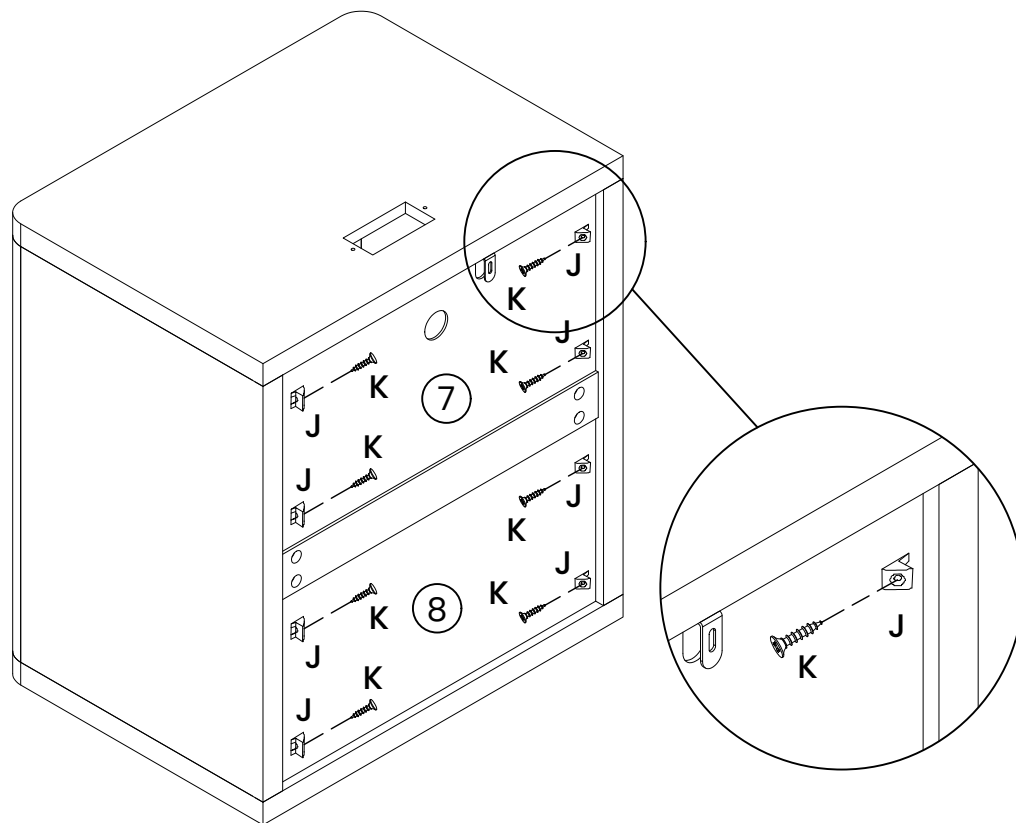
Step 12 / 20



B  x4 C  x4

Note:

Step 13 / 20

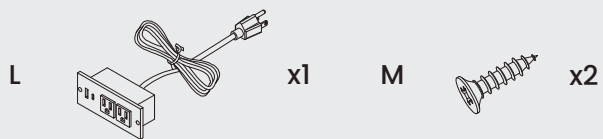
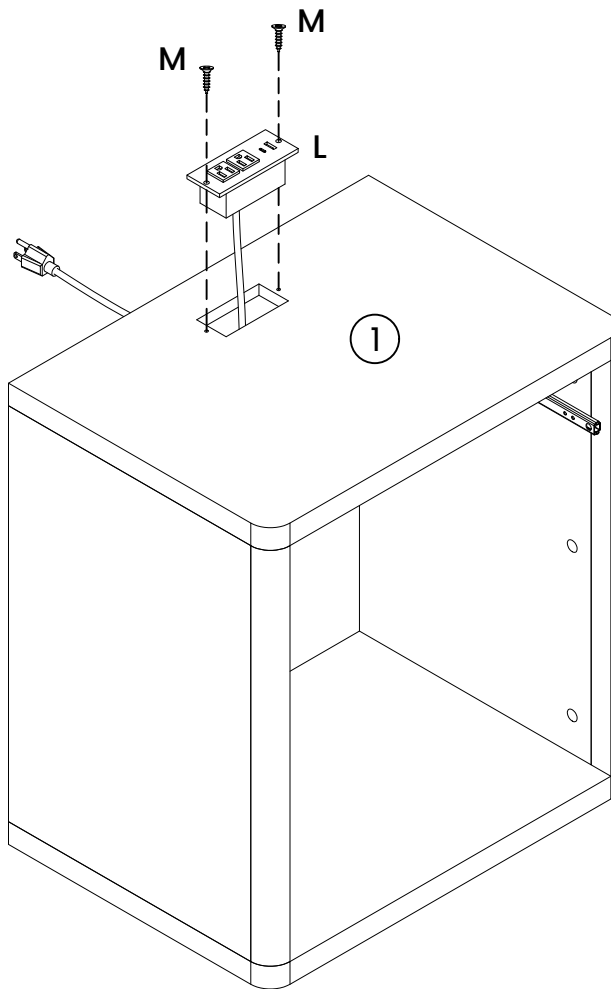
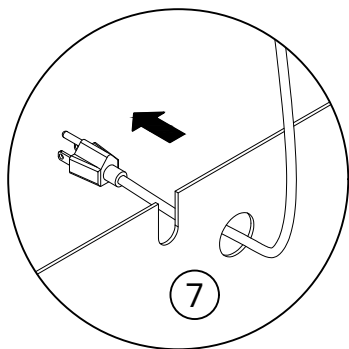


J  x8

K  x8

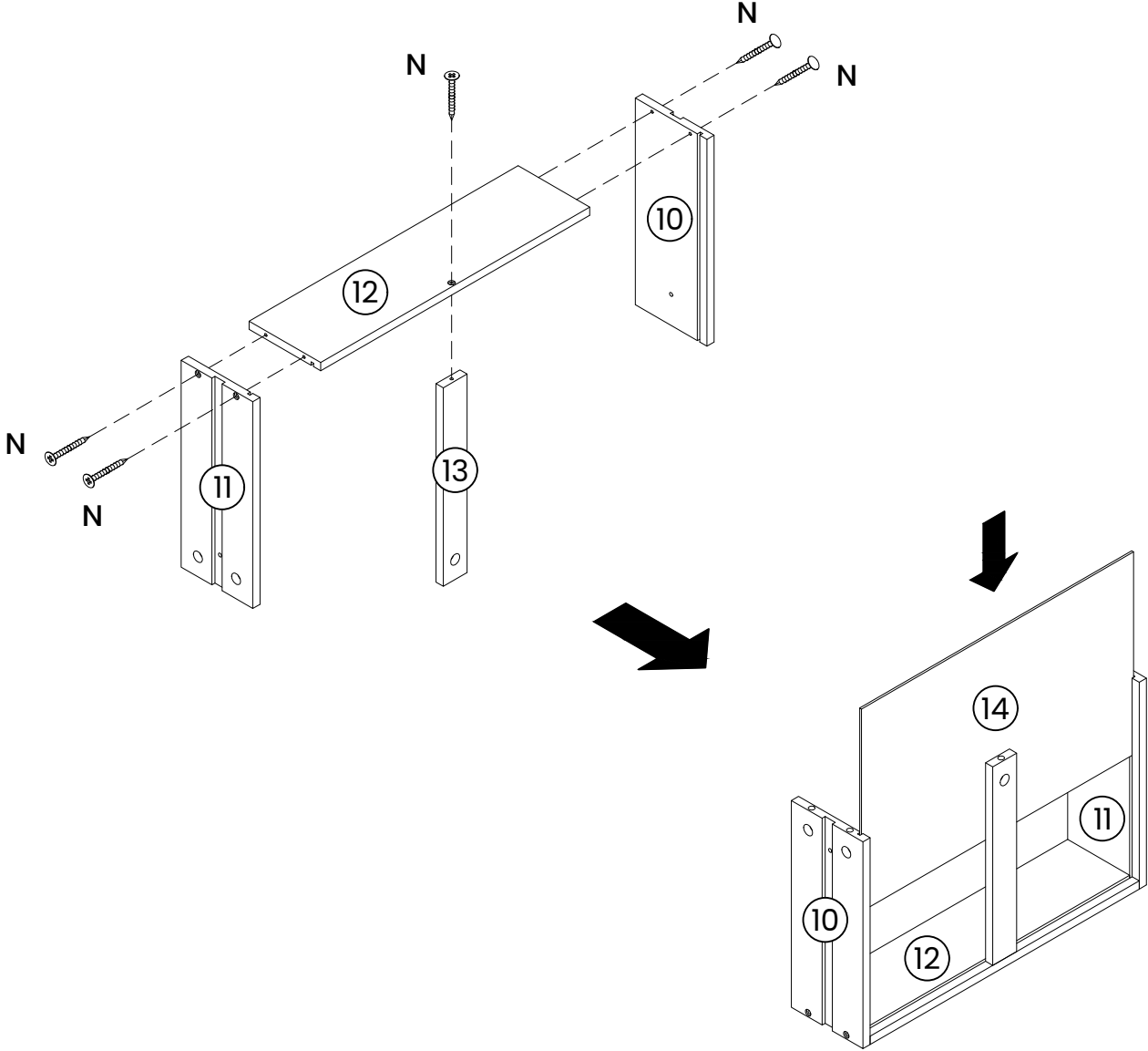
Note:

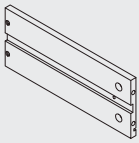
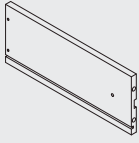
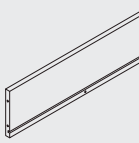
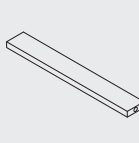
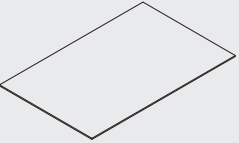
Step 14 / 20



Note:

Step 15 / 20

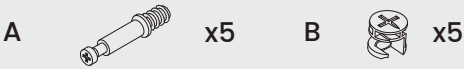
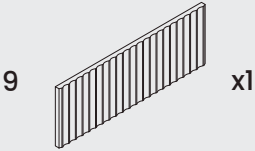
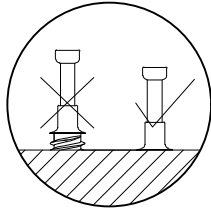
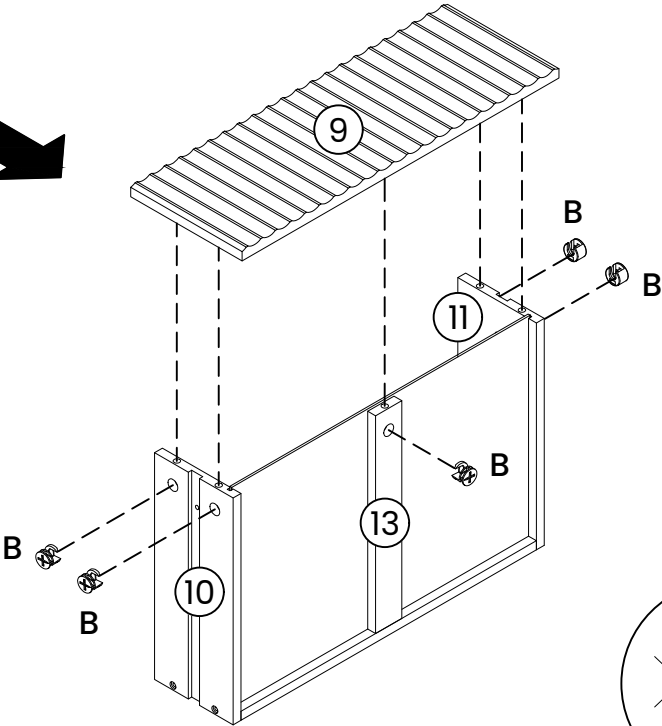
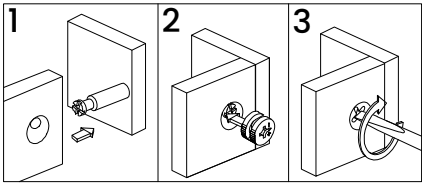
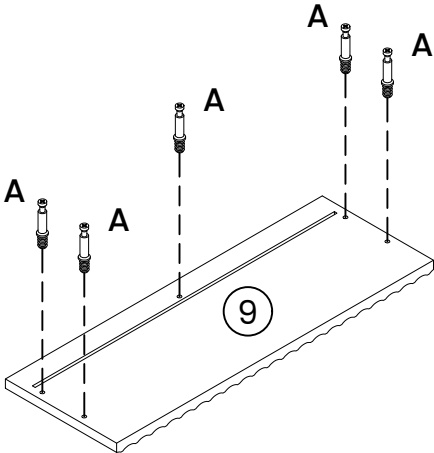


- 10  x1
- 11  x1
- 12  x1
- 13  x1
- 14  x1

- N  x5

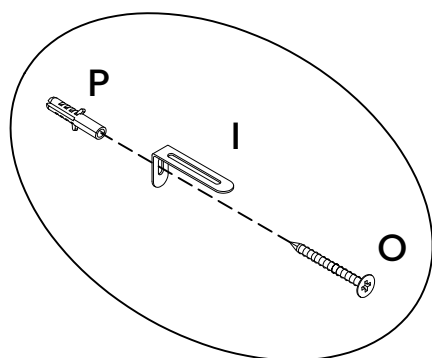
Note:

Step 16 / 20

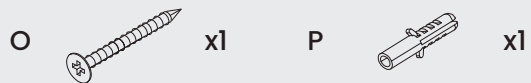
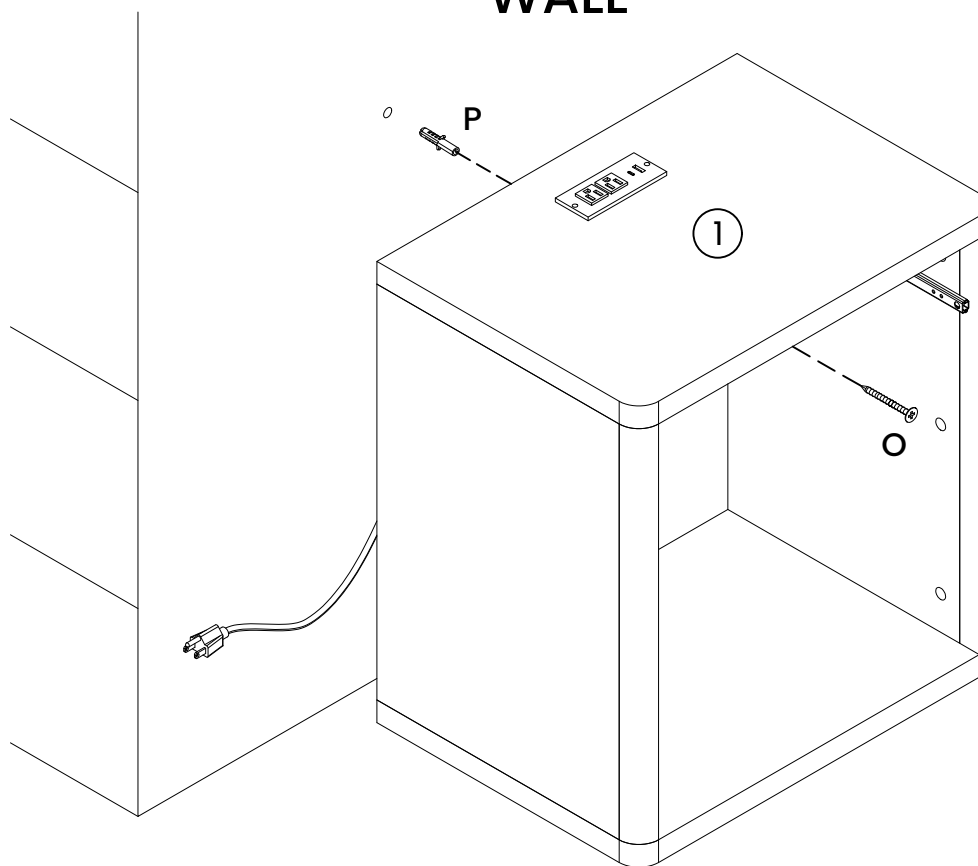


Note:

Step 17 / 20

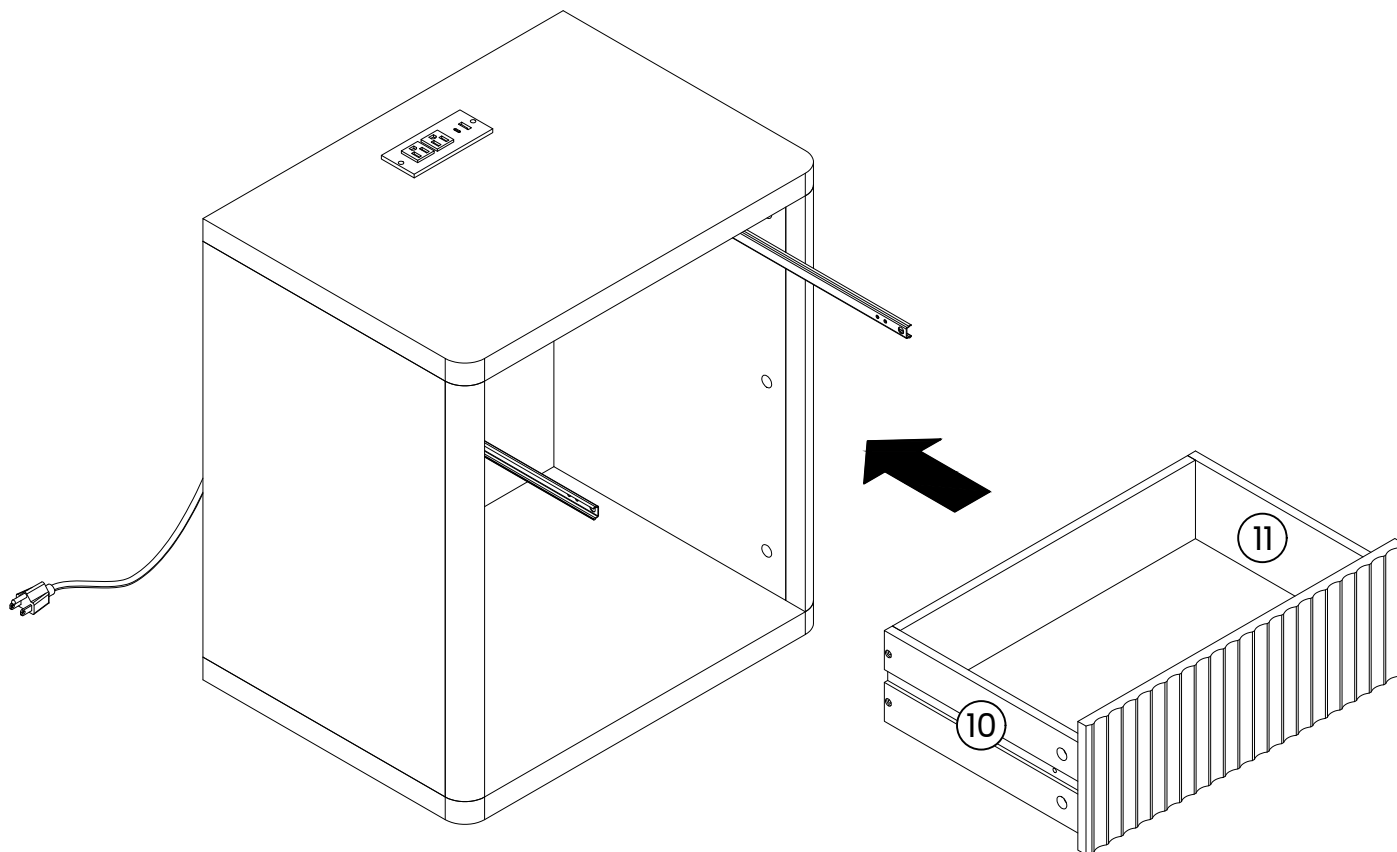


WALL



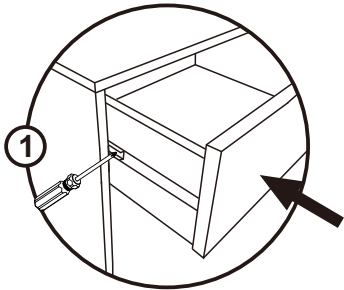
Note:

Step 18 / 20

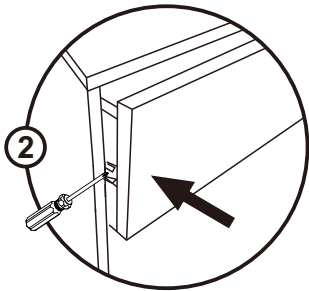


Note:

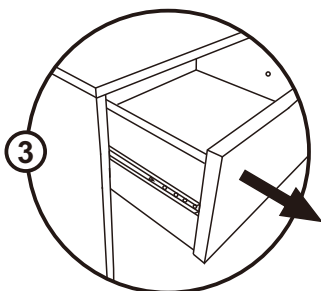
You may need patience to get a perfect smooth slide of drawer experience, and we appreciate your patience. Asking for a second person to assist you will simplify the process.



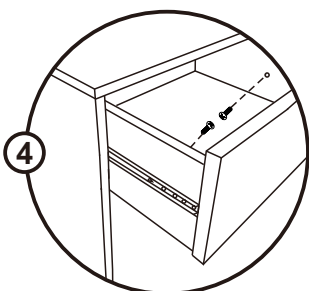
1.Align Components: Position the groove on the drawer side to match the rail profile. Insert a precision tool (e.g., screwdriver tip) into the outermost hole of the slide rail. Ensure both sides are aligned symmetrically.



2.Slide Drawer Inward: Gently push the drawer into the cabinet until slide come up against drawer front. This step needs to be done simultaneously for both sides.

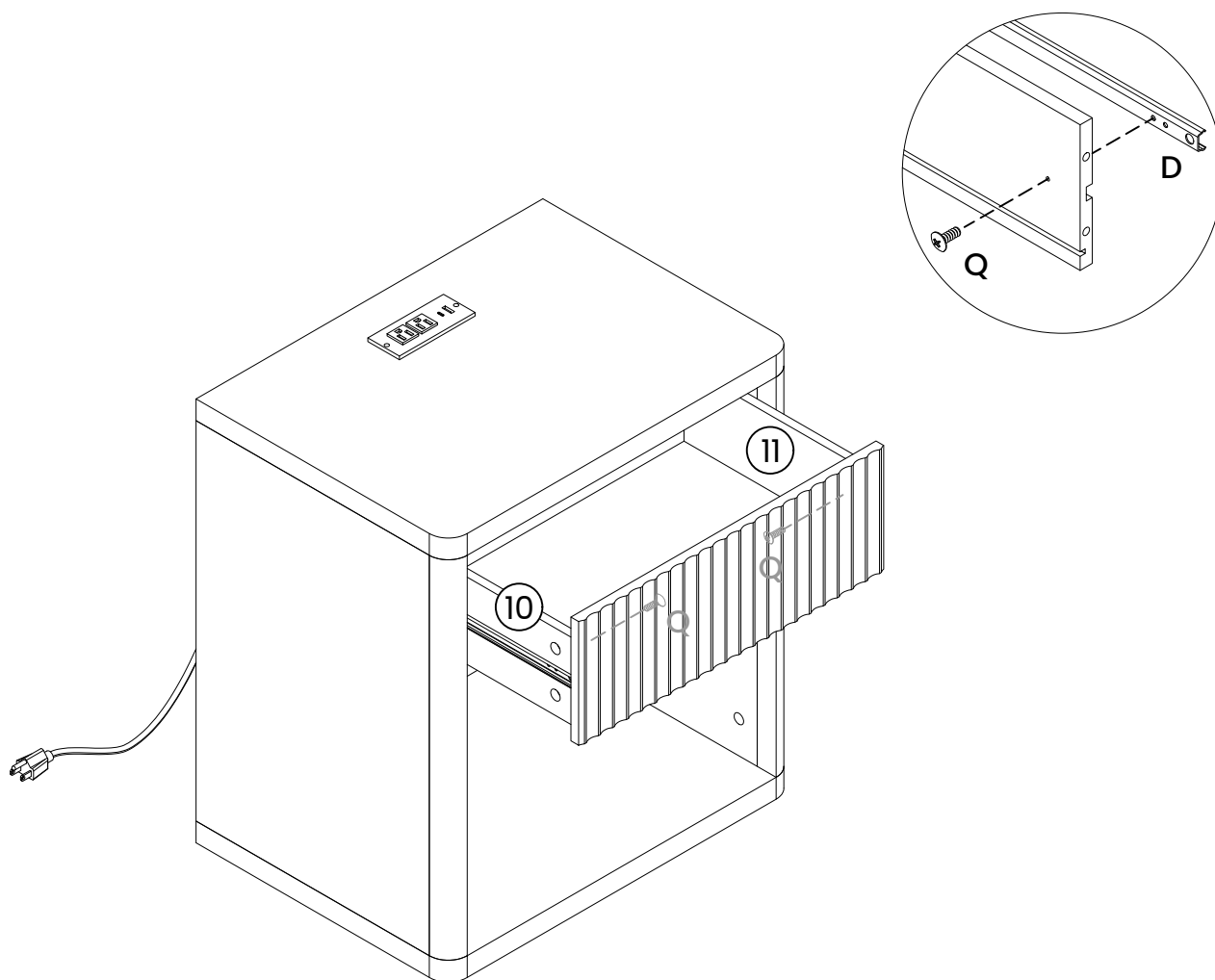


3.Secure & Adjust: While maintaining pressure on the tool, slowly pull the drawer outward until slide can not be moved.



4.Finalize Installation: Locate the pre-drilled mounting holes where the rails meet the drawer sides. Securely tighten all screws on both sides.

Step 19 / 20

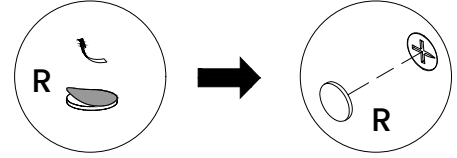
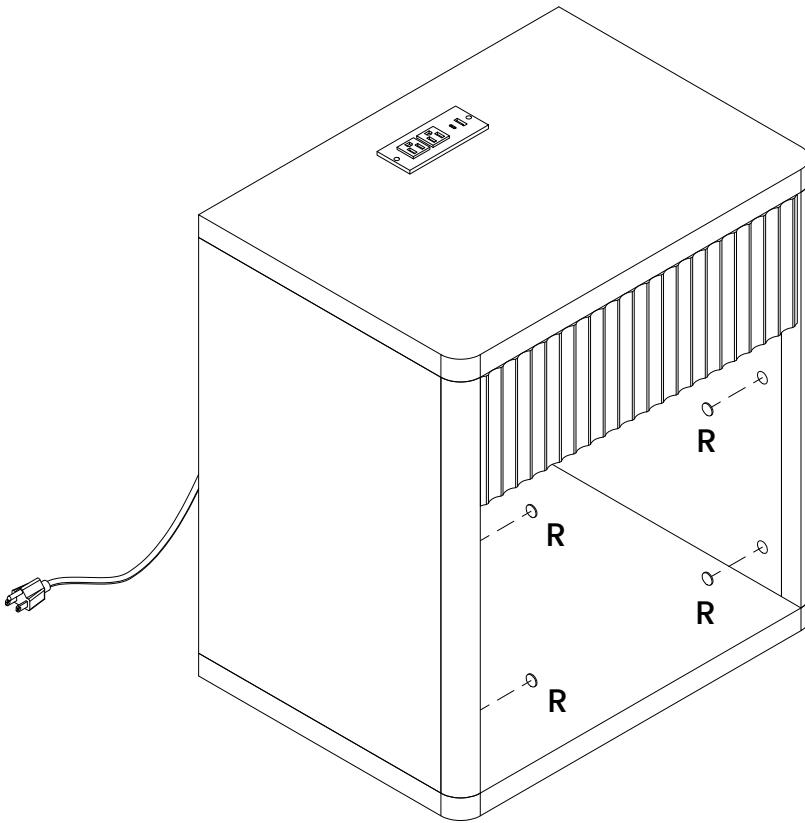


Q  x2

Note:

Screw Q needed to be installed from inside of the drawer to outside.

Step 20 / 20



R  x4

Note: