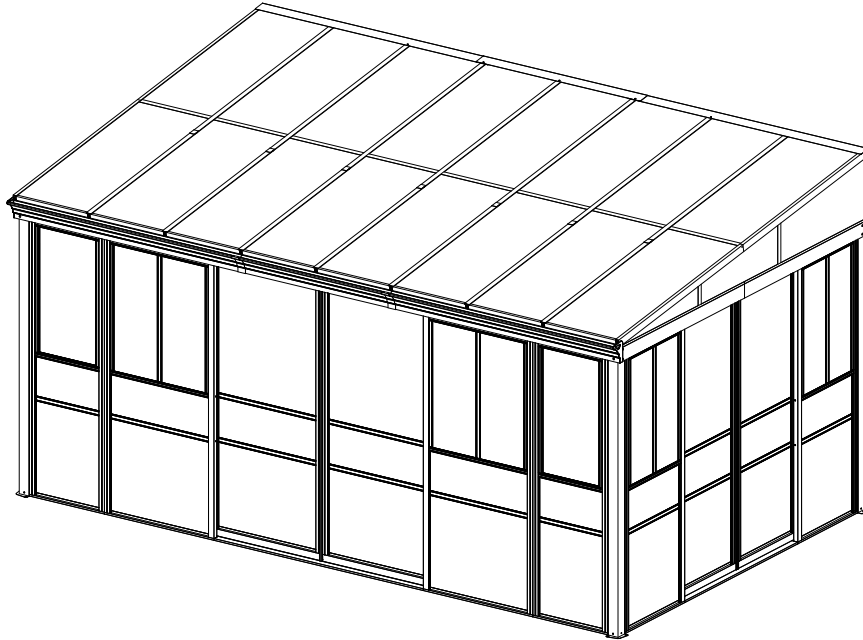
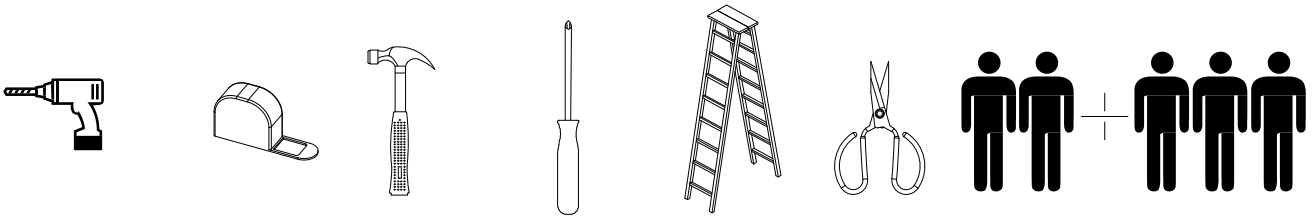


10 x 16 FT

WQOT303



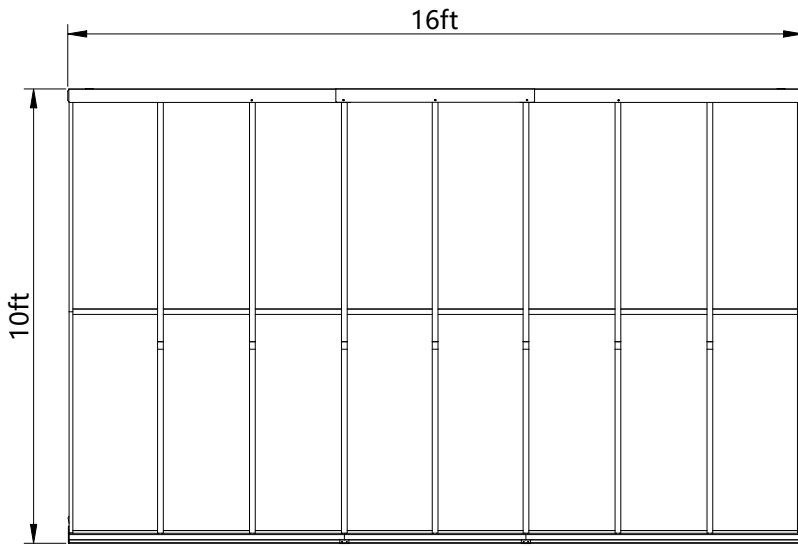
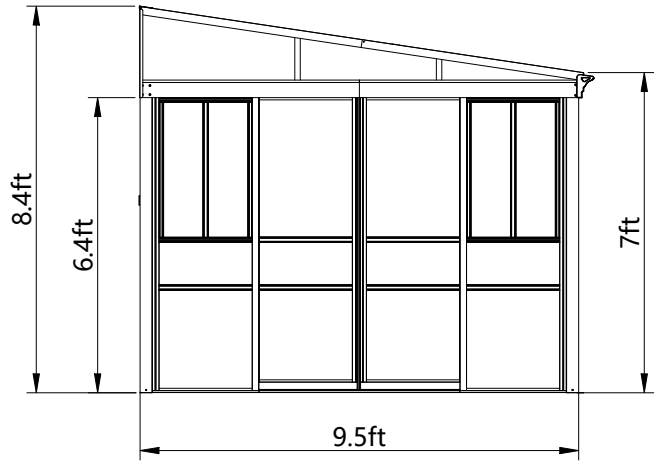
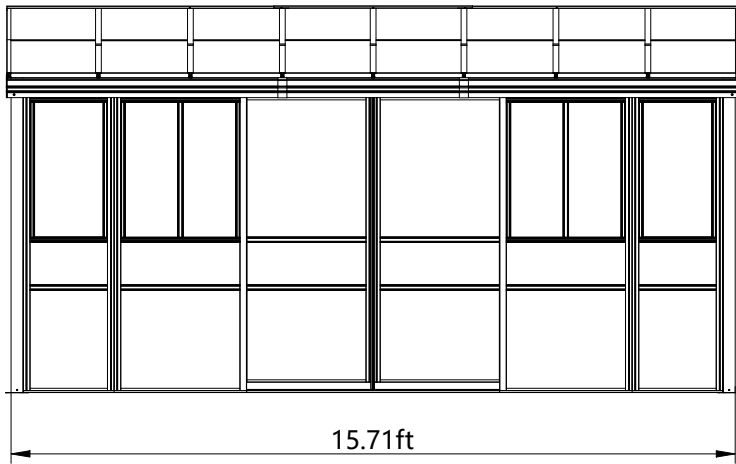
Note: The gazebo needs to be installed in cooperation with five people.
The following tools are not included and needed for assembly:



Pistol Drill Tape Measure Hammer Screwdriver Ladder Scissor 5 People

ATTENTION:

1. Please check the manual carefully and make sure you have received all the parts.
2. If any parts are missing, please let us know the letter marked on the part.
3. If any parts are damaged, please send us clear photos. We will review them and provide the best solution as soon as possible.
4. If you have any problems, please feel free to contact us. Our professional customer service and after-sales team are always ready to help you.
5. You can reach us via email at customer01service@hotmail.com.

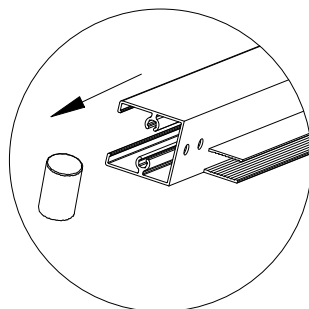
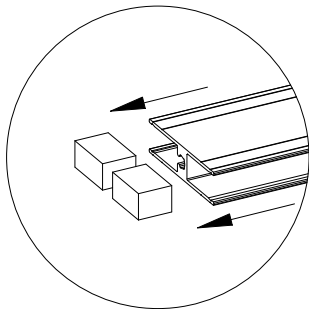


Box A	
Part #	Qty
ⓐ1	1
ⓐ1-1	1
ⓐ2	1
ⓐ2-1	1
ⓐ1	2
ⓐ1-1	2
ⓐ1	4
ⓐ2	4
ⓐ3	2
ⓐ1	6
ⓐ7	2
ⓐ2	2
ⓐ3	2
1A	3
2A	3
1F	3
1Q	2
2H	4
2K	4
5K	2
5J	1
2J	2
1L	4
2L	8
5L	4
1N	1
2N	2

Box B	
Part #	Qty
ⓐ1	1
ⓐ1-1	1
ⓐ1	1
ⓐ1-1	1
ⓐ2	2
ⓐ2-1	2
ⓐ1	1
ⓐ1-1	1
ⓐ2	1
ⓐ2-1	1
ⓐ1	7
ⓐ2	7
1H	2
1K	2
1P	2
Bags for screws: 1-18	1
Instructions	1

Box C	
Part #	Qty
ⓐ5	1
ⓐ6	1
ⓐ6-1	1
1B	5
2B	5
5B	3
6B	3
1D	3
2D	3
1C	3
2C	3
1M	2
2M	4

Remove the plastic packing blocks from both ends of profiles 1E, 1G, 2G, 3G, 1L, 2L, 1H and 2H.



Box D	
Part #	Qty
(C3)	1
(C3-1)	1
(A4)	1
(A2)	2
(A2-1)	2
(B3)	3
(M1)	1
(M2)	1
(M3)	2
(1E)	16
(1G)	6
(2G)	8
(3G)	16
(6G)	4
(2P)	4
(5P)	2
(1R)	16
(2R)	4
(3R)	8
(5R)	4
(5-1)	2
(L3)	1
(L3-1)	1

Box E	
Part #	Qty
(R1)	1

4

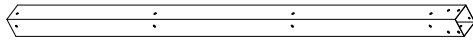
(R1-1)	1
(R2)	1
(R2-1)	1
(R3)	1
(R3-1)	1
(T2)	4
(S1)	4
(S2)	4
(Z)	12
(Z1)	4

Box F	
Part #	Qty
(I1)	2
(I2)	2
(J)	2
(J1)	2
(K)	2
(P)	2
(P1)	2
(P2)	4
(P3)	6
(Q2)	24
(Q3)	2
(U1)	3
(U2)	3
(U3)	3
(U4)	3
(V1)	1
(V2)	1
(V3)	7
(W)	2

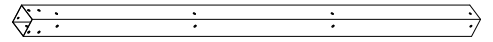
(X1)	6
(X2)	26
(X3)	2
(Y)	4
(N1)	1
(N2)	1
(D1)	32
(D2)	64
(D3)	16
(D4)	12
(D5)	12
(T)	2
(T1)	4
(T3)	2
(T4)	2
(T5)	2
(T6)	2
(T7)	2
(S)	4
(S1)	4
(S2)	4
(S3)	4
(S4)	4
(1S)	4
(2S)	2
(4S)	2
(3-1)	12
(4-1)	12
(15)	1

10x16					
AB	AB	AC	BA	BA	CA
AD	AD	AE	DA	DA	EA
AF	AF	AF	AF	AG	AG
AH	AH	AJ	AJ		

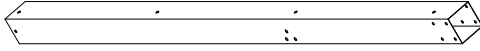
1



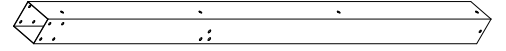
(C1) 1x



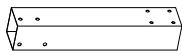
(C1-1) 1x



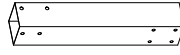
(C2) 1x



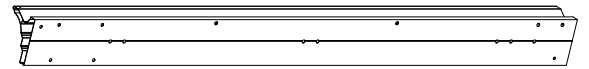
(C2-1) 1x



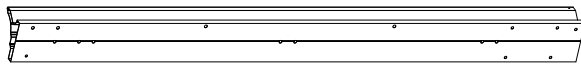
(C3) 1x



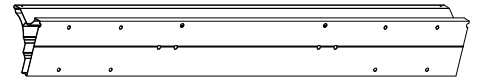
(C3-1) 1x



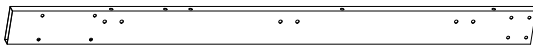
(A1) 1x



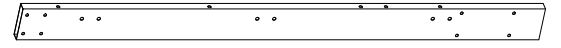
(A1-1) 1x



(A4) 1x



(A2) 2x



(A2-1) 2x



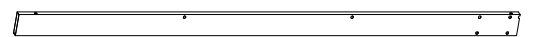
(B1) 1x



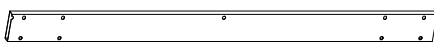
(B1-1) 1x



(B2) 2x



(B2-1) 2x



(B3) 3x



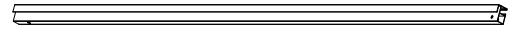
(O1) 2x



O1-1 2x



E1 1x



E1-1 1x



E2 1x



E2-1 1x



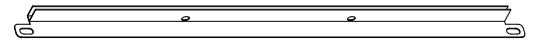
F1 7x



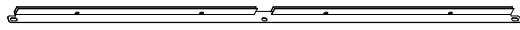
F2 7x



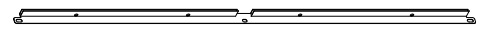
G1 4x



G2 4x



G3 2x



H1 6x



H7 2x



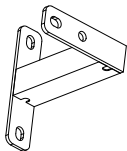
H2 2x



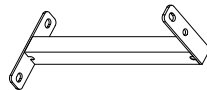
H3 2x



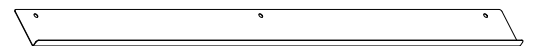
I1 2x



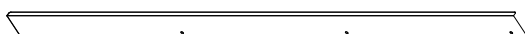
I2 2x



L5 1x

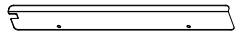


L6 1x



L6-1 1x





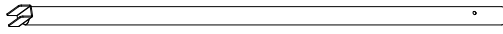
L3 1x



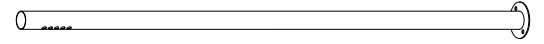
L3-1 1x



M1 1x



M2 1x



M3 2x



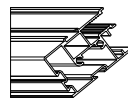
1A 3x



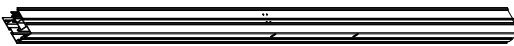
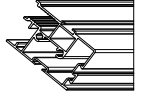
2A 3x



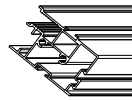
1B 5x



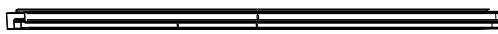
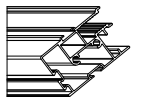
2B 5x



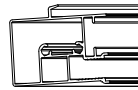
5B 3x



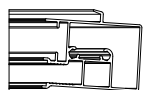
6B 3x



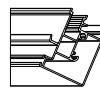
1D 3x



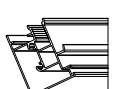
2D 3x



1C 3x



2C 3x

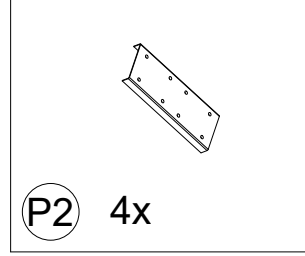
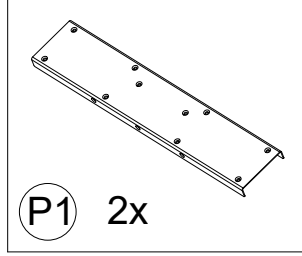
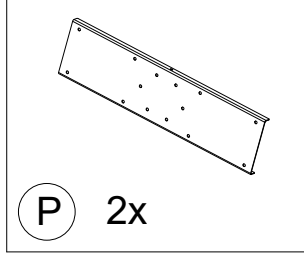
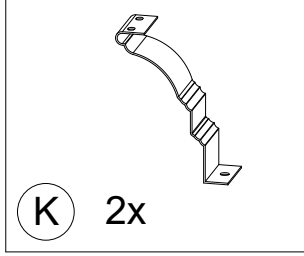
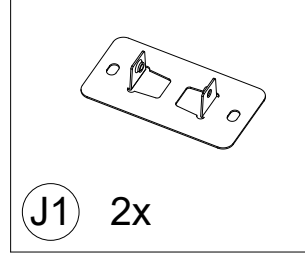
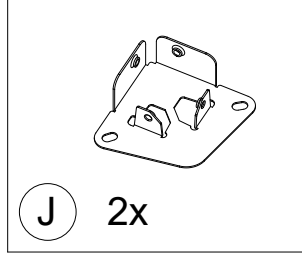
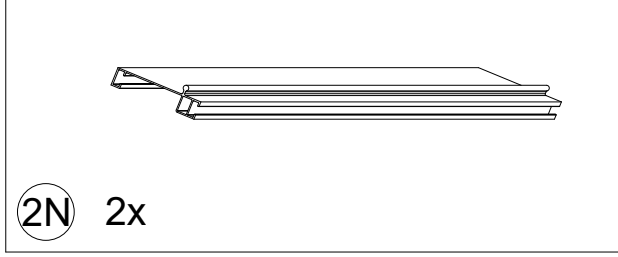
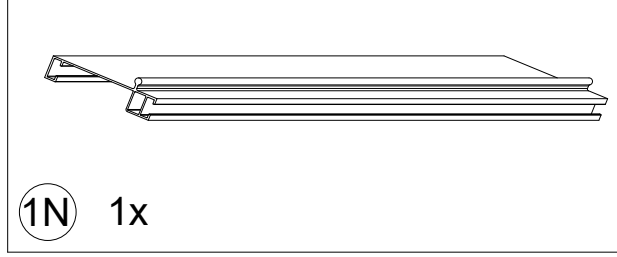
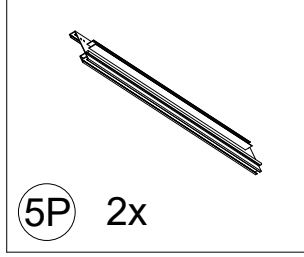
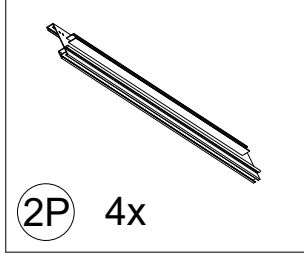
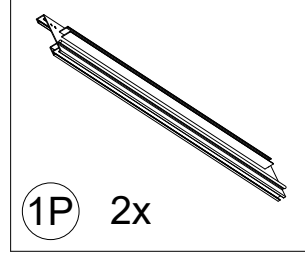
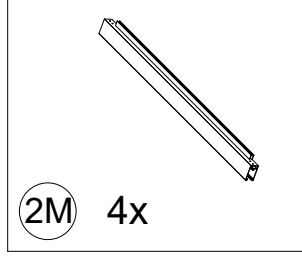
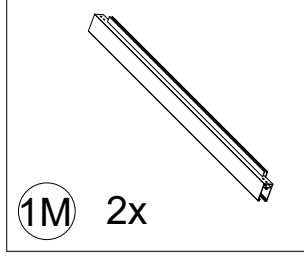
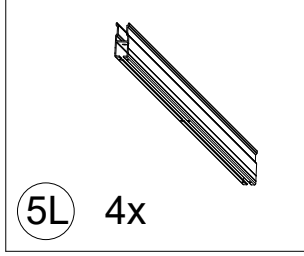
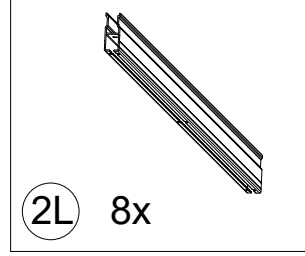
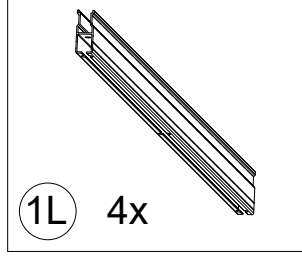
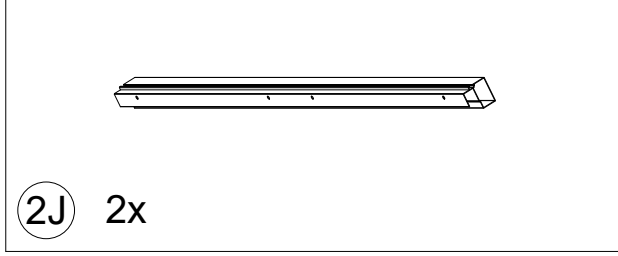
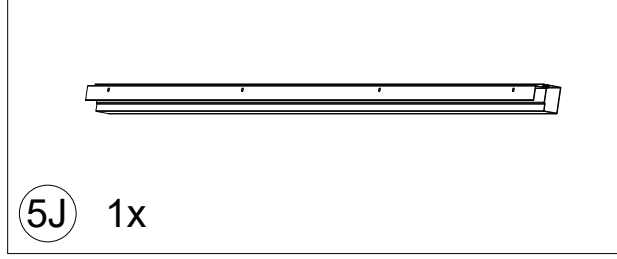
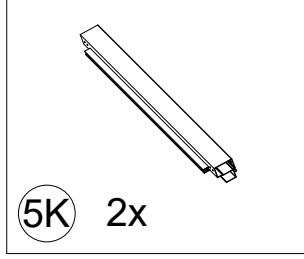
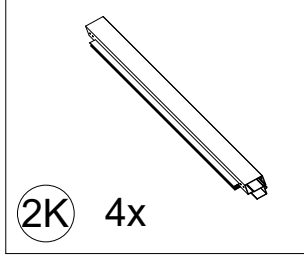
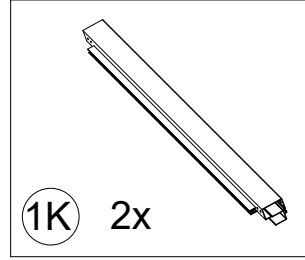
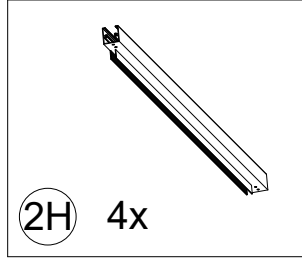
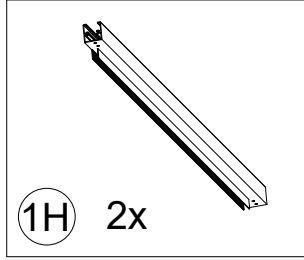
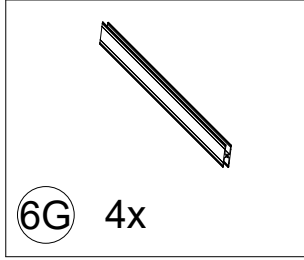
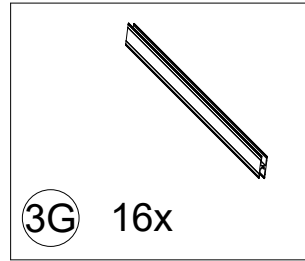
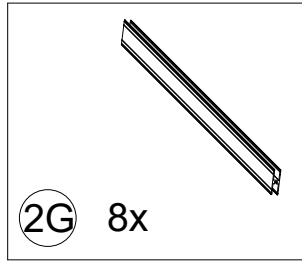
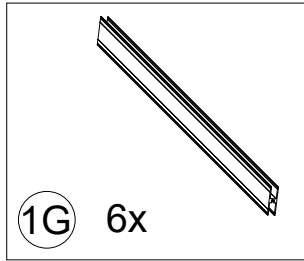
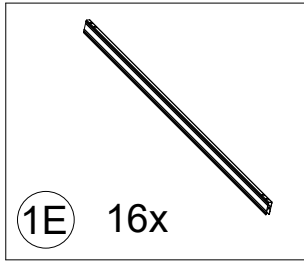


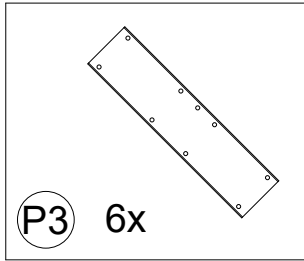
1F 3x



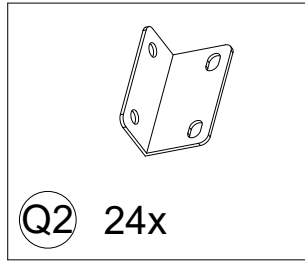
1Q 2x



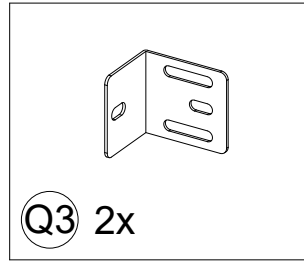




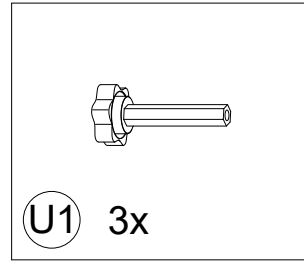
P3 6x



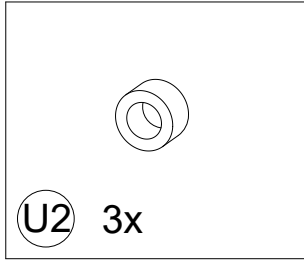
Q2 24x



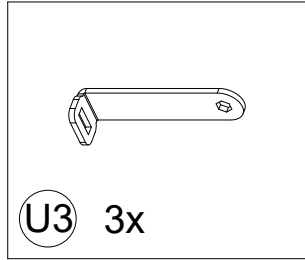
Q3 2x



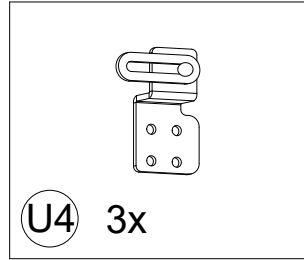
U1 3x



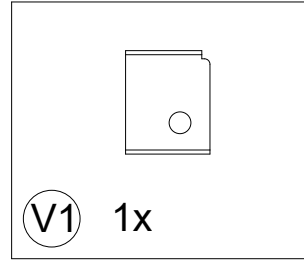
U2 3x



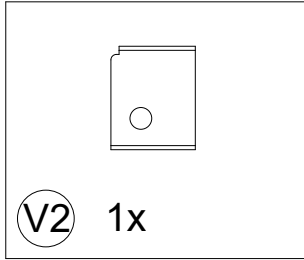
U3 3x



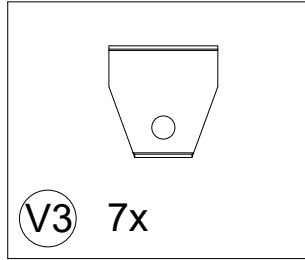
U4 3x



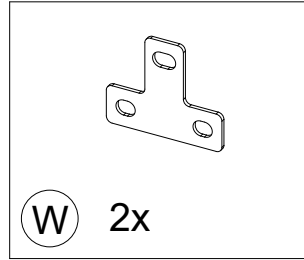
V1 1x



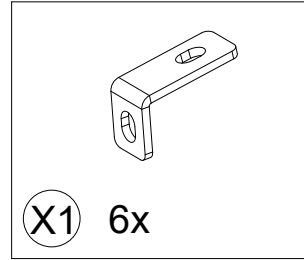
V2 1x



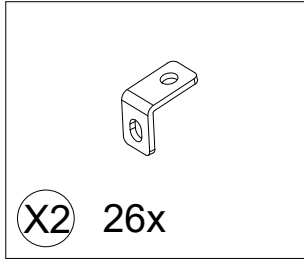
V3 7x



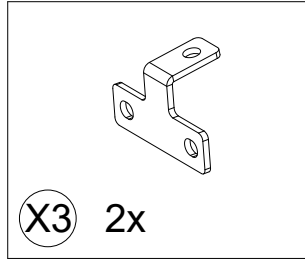
W 2x



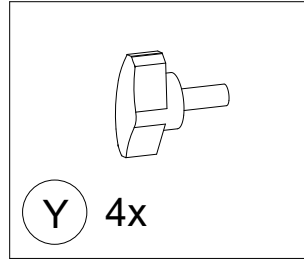
X1 6x



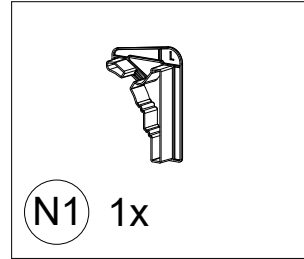
X2 26x



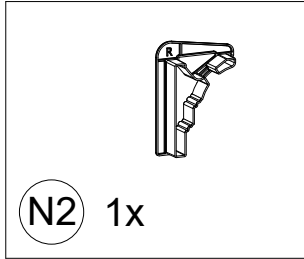
X3 2x



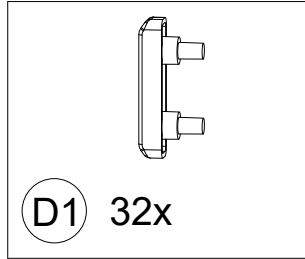
Y 4x



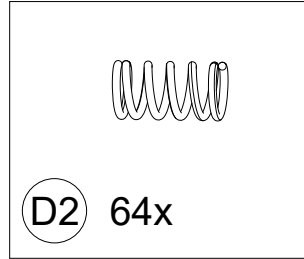
N1 1x



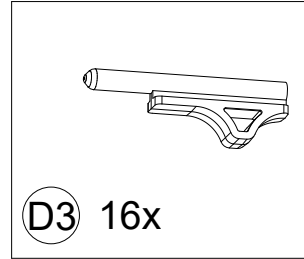
N2 1x



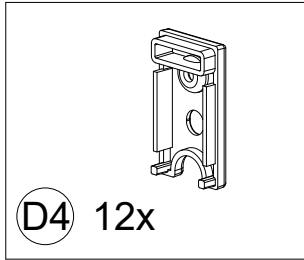
D1 32x



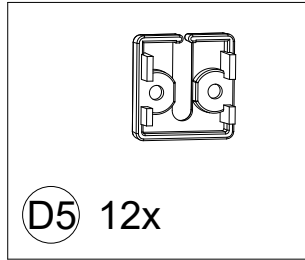
D2 64x



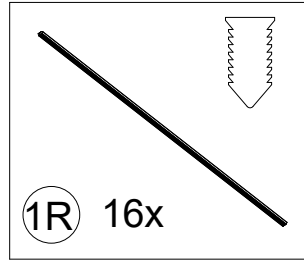
D3 16x



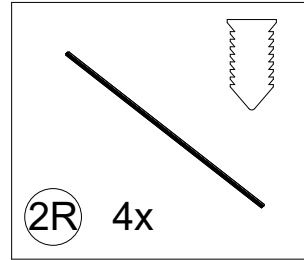
D4 12x



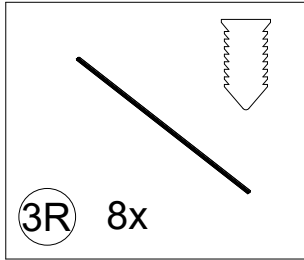
D5 12x



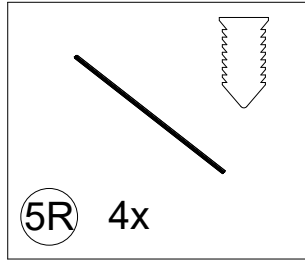
1R 16x



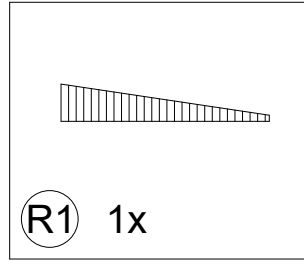
2R 4x



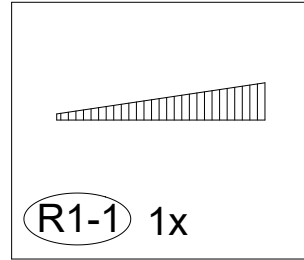
3R 8x



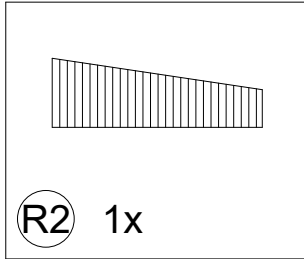
5R 4x



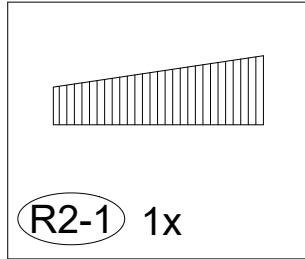
R1 1x



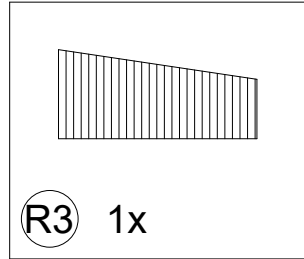
R1-1 1x



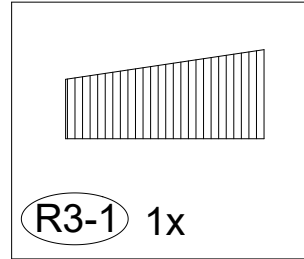
R2 1x



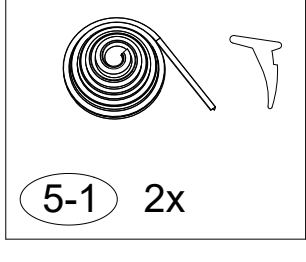
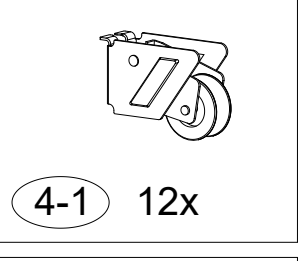
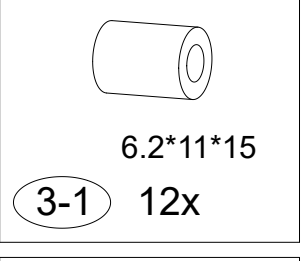
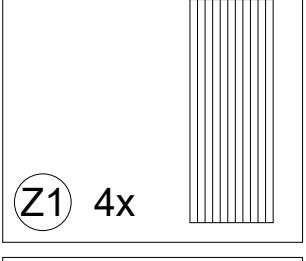
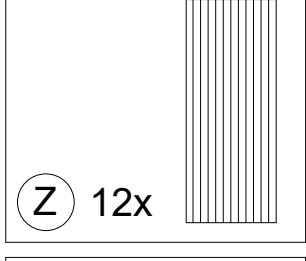
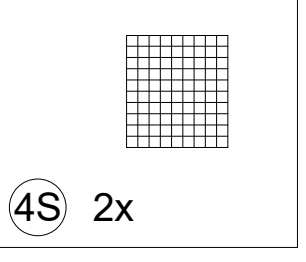
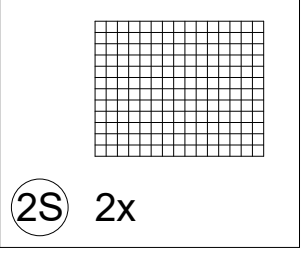
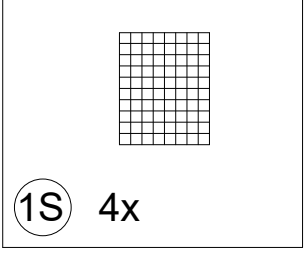
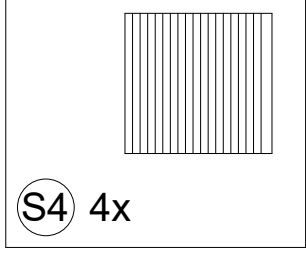
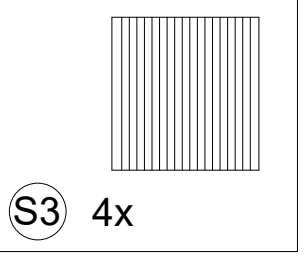
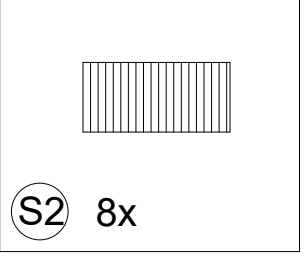
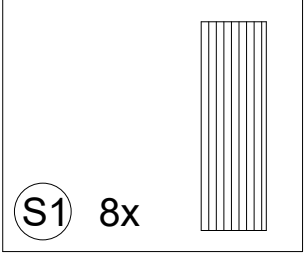
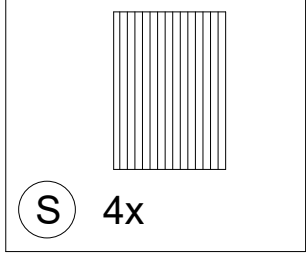
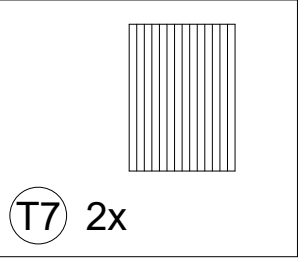
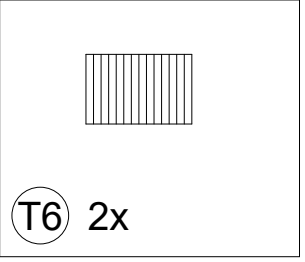
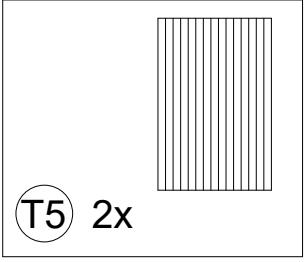
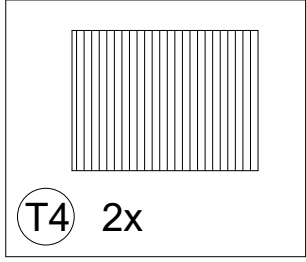
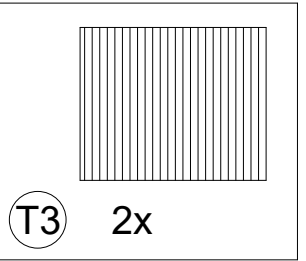
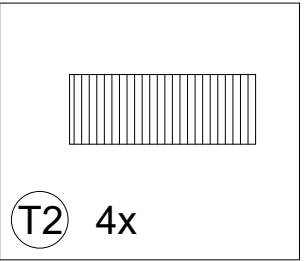
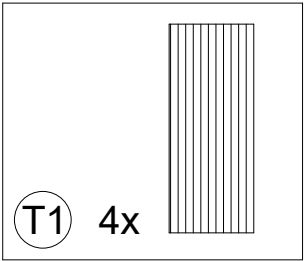
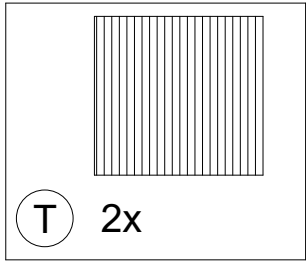
R2-1 1x




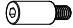

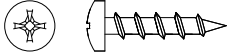
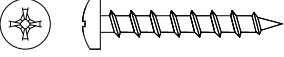
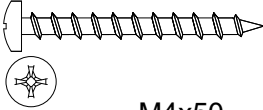
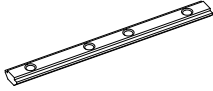

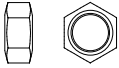

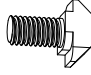



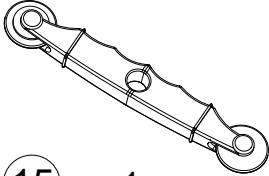
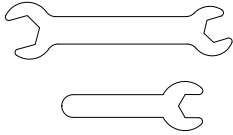


R3 1x



R3-1 1x



Bags of Screws

 M6x15 1 363x	 2 22x	 ST 4.8x12 3 16x	 M4x20 4 136x
 M4x35 5 56x	 M4x50 6 56x	 7 24x	 M5x6 8 96x
 M6 9 12x	 M5 10 40x	 M5x12 11 40x	 12 10x
 M5x15 13 12x	 M4x12 14 3x	 15 1x	 16 1x
 4mm 17 2x	 2.5mm 18 2x		

AB	AB	AC	BA	BA	CA
AD	AD	AE	DA	DA	EA
AF	AF	AF	AF	AG	AG
AH	AH	AJ	AJ		

letter sticker 1x

<1>

C1 1x

J 1x

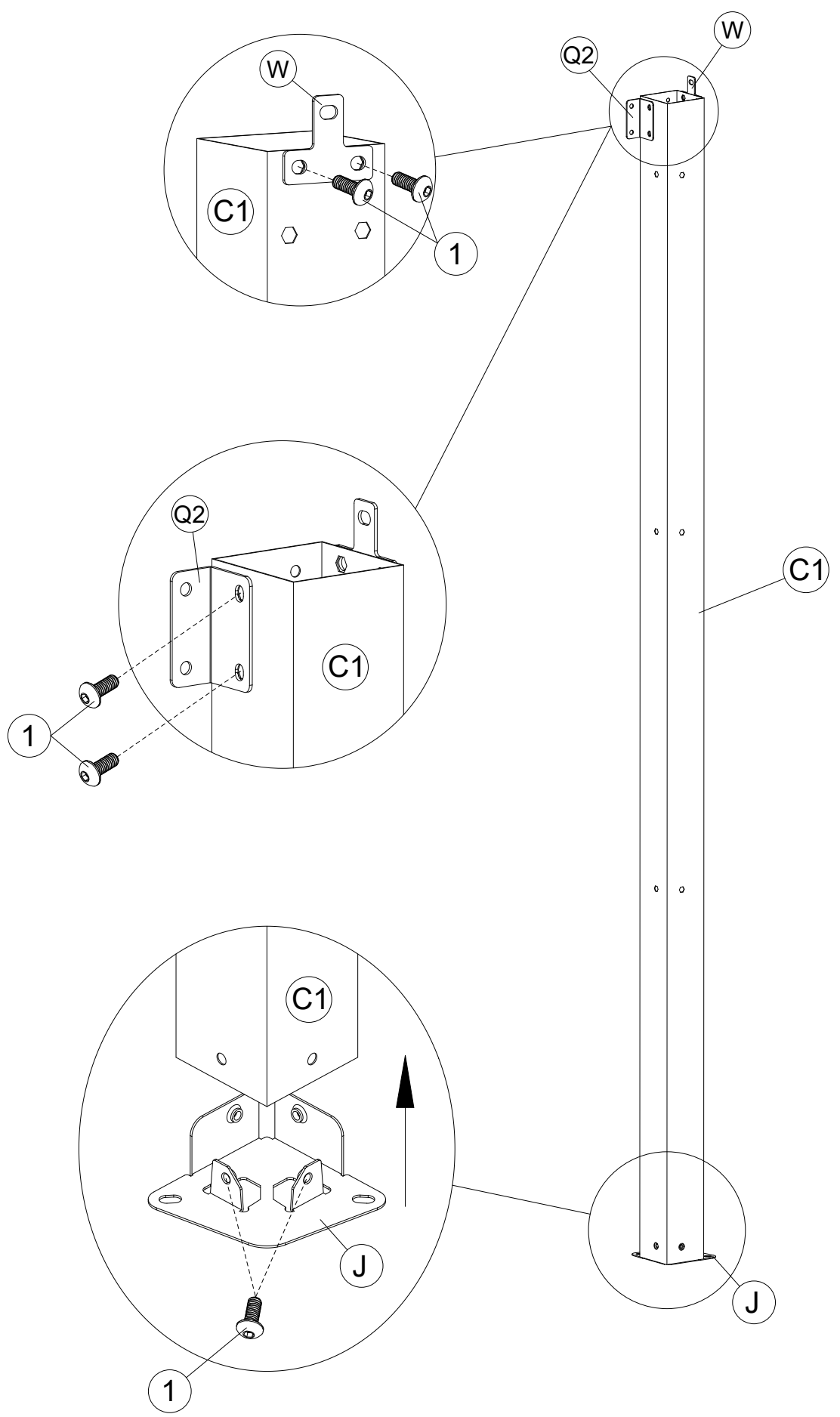
Q2 1x

W 1x

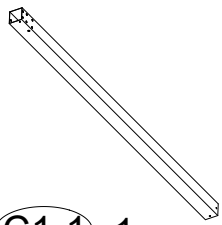
1 6x

M6x15

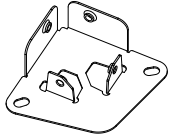
12



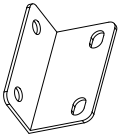
<2>



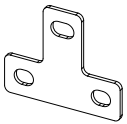
C1-1 1x



J 1x



Q2 1x

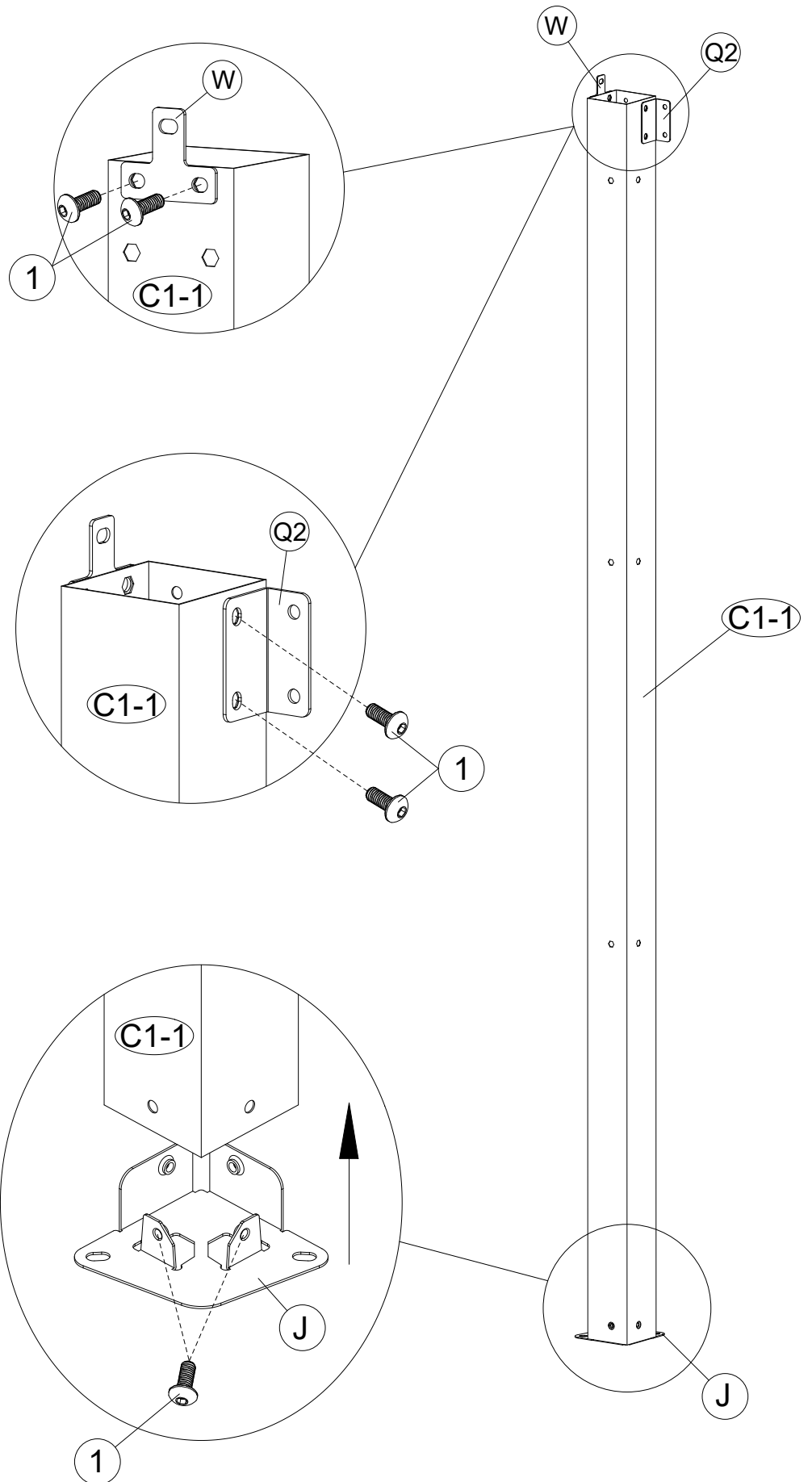


W 1x

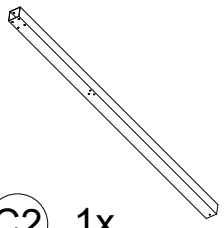


M6x15

1 6x



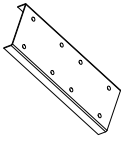
<3>



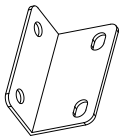
C2 1x



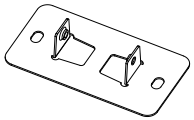
C3 1x



P2 2x



Q2 1x

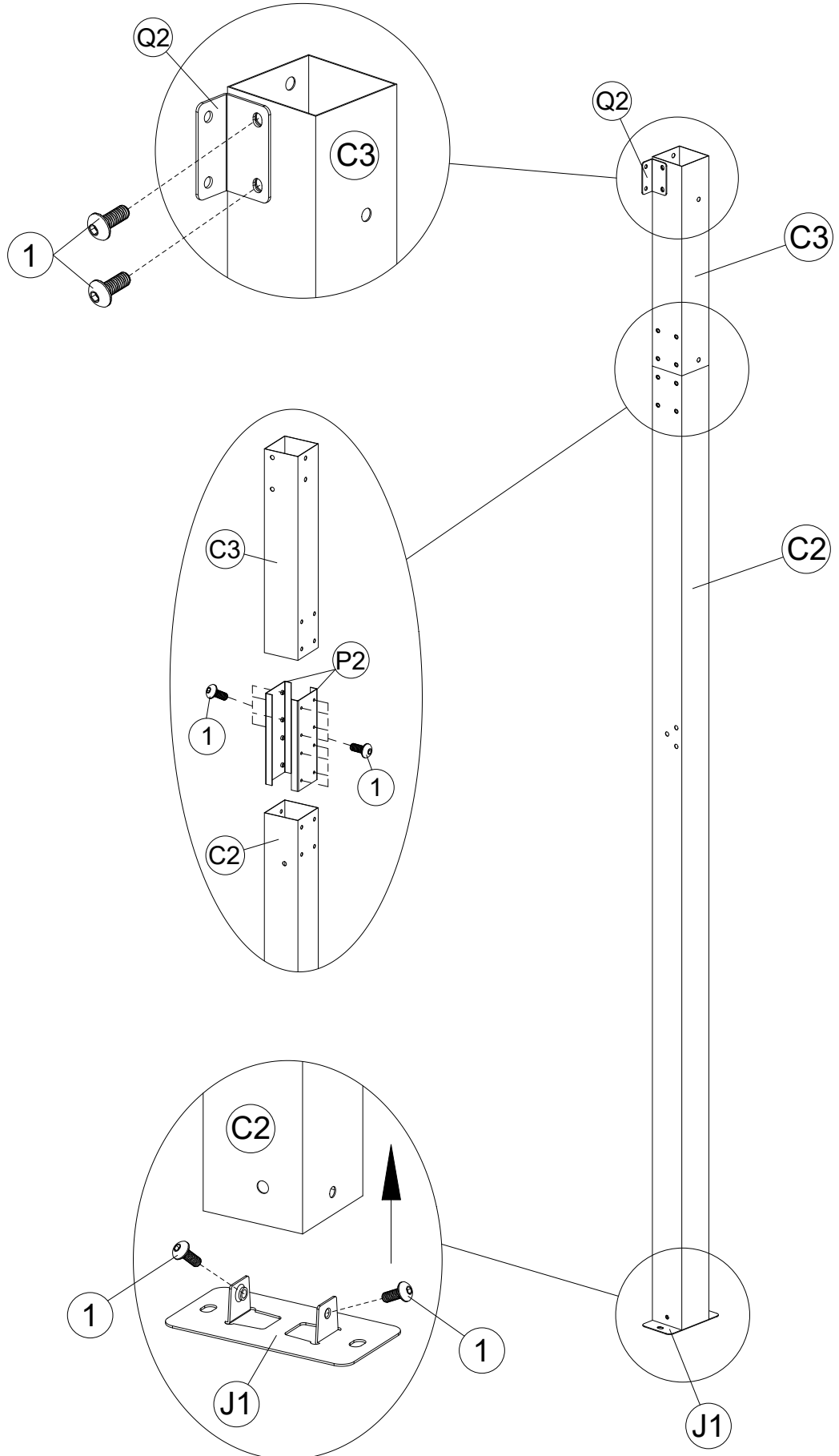


J1 1x

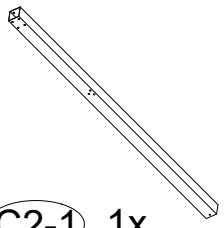


M6x15

1 16x



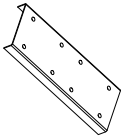
<4>



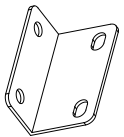
C2-1 1x



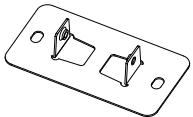
C3-1 1x



P2 2x



Q2 1x

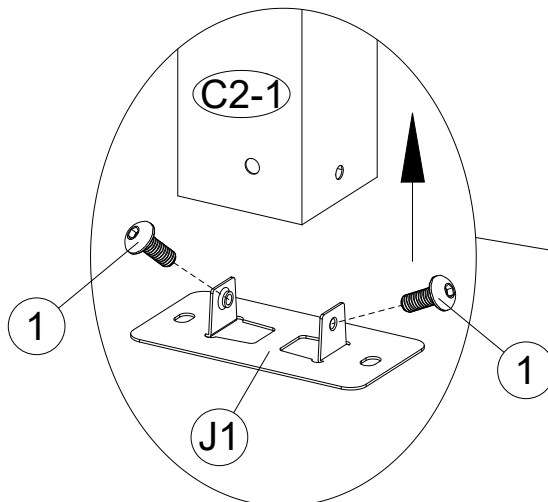
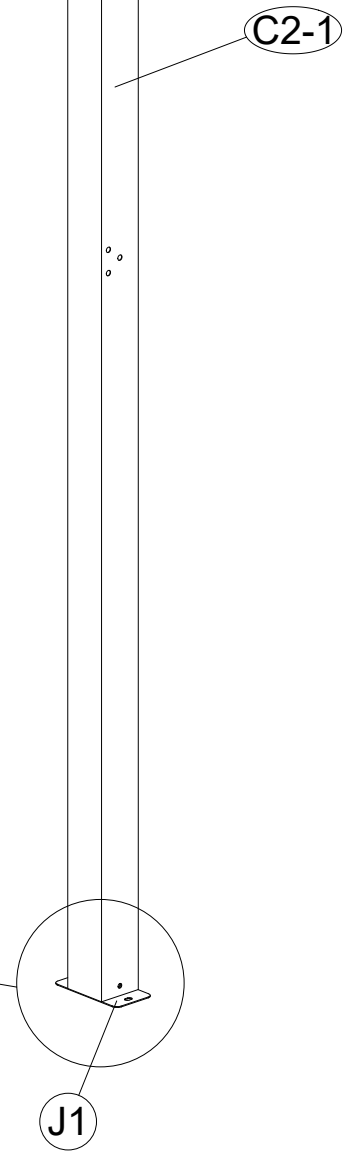
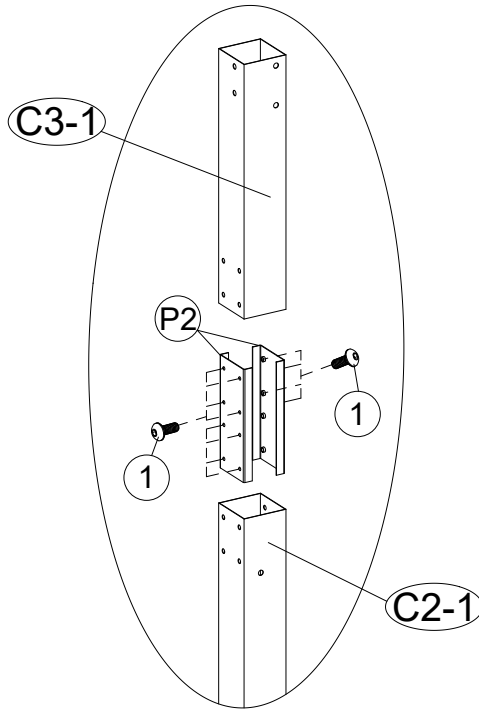
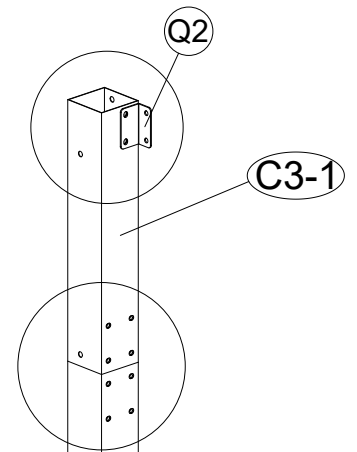
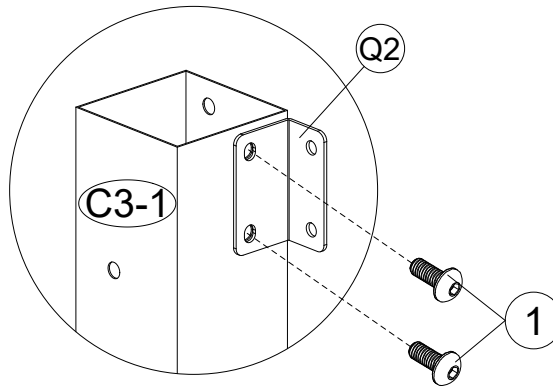


J1 1x

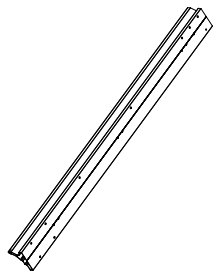


M6x15

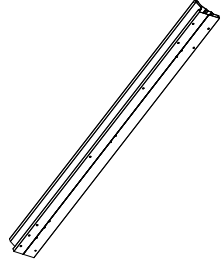
1 16x



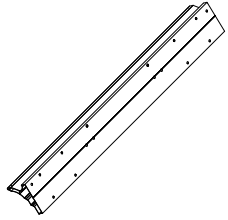
<5>



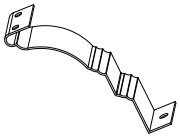
A1 1x



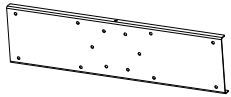
A1-1 1x



A4 1x



K 2x



P 2x



ST 4.8x12

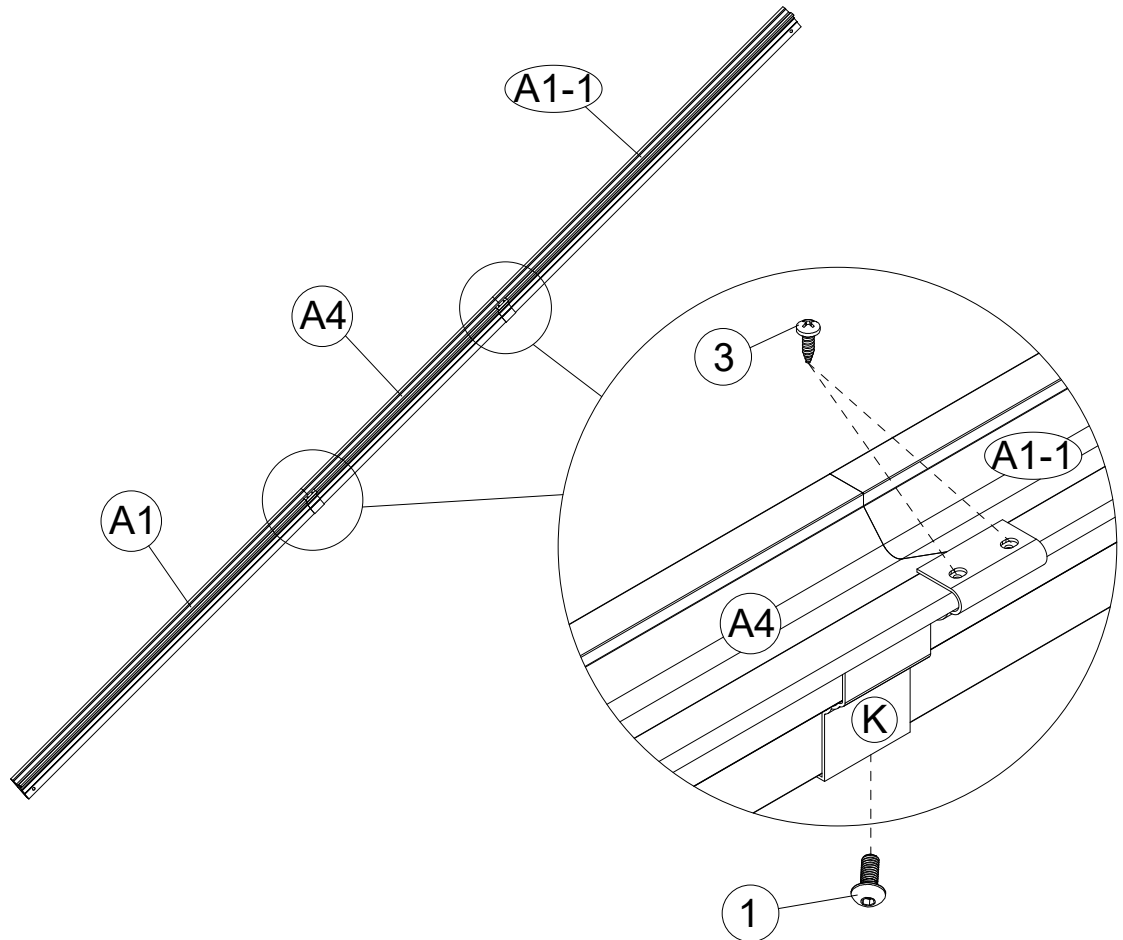
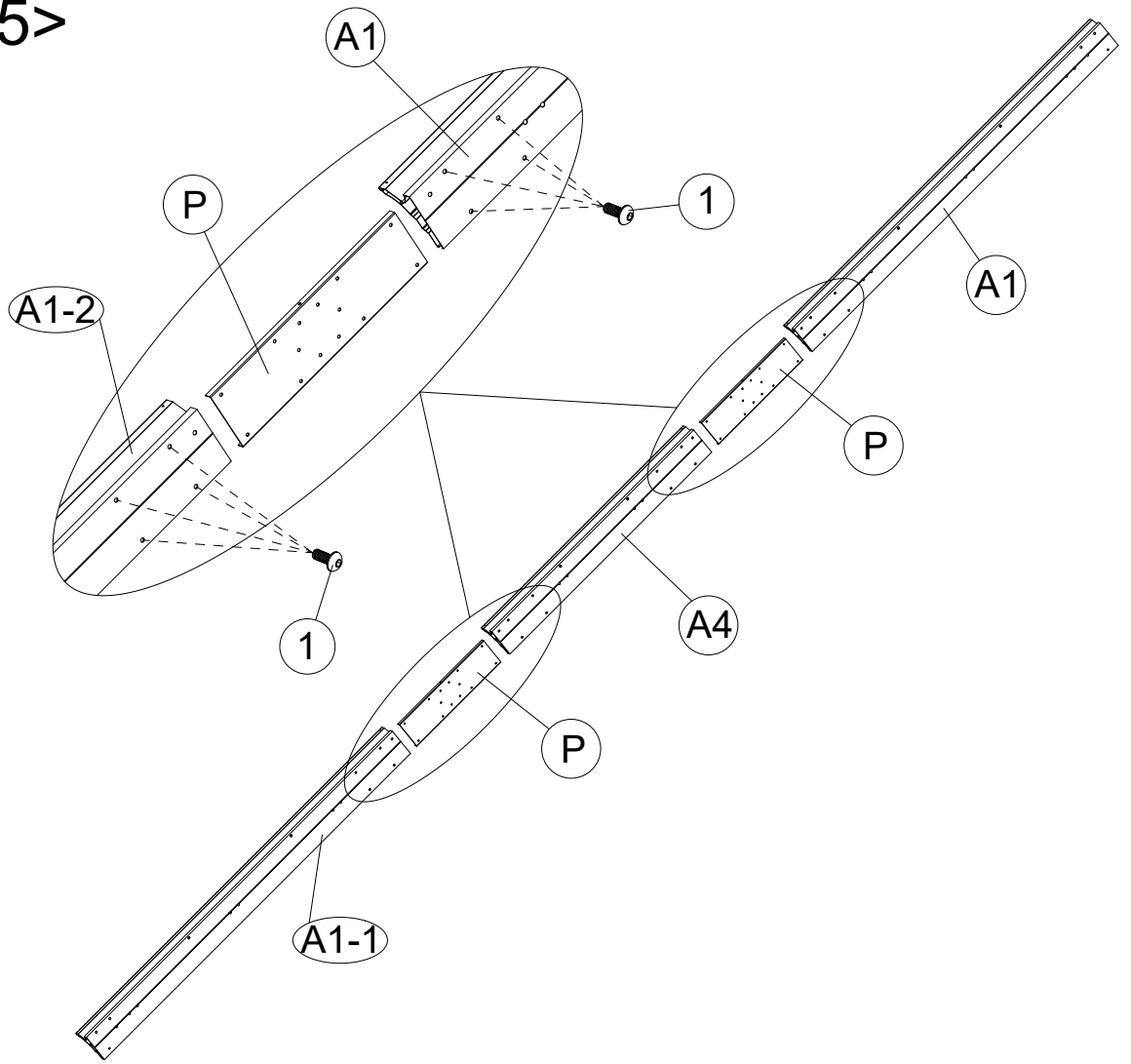
3 4x



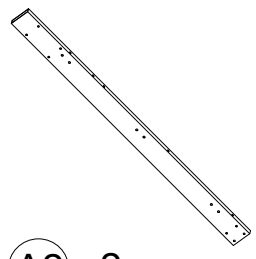
M6x15

1 18x

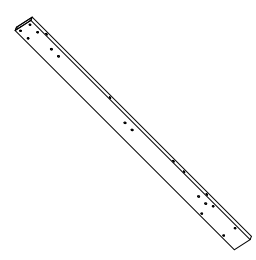
16



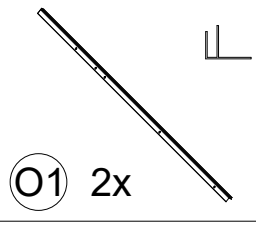
<6>



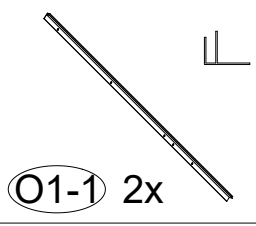
A2 2x



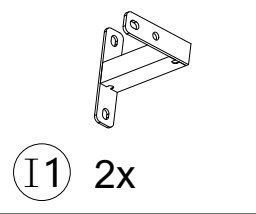
A2-1 2x



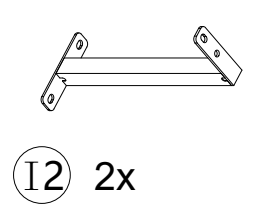
O1 2x



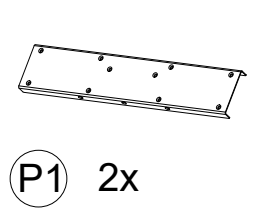
O1-1 2x



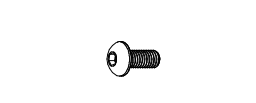
I1 2x



I2 2x

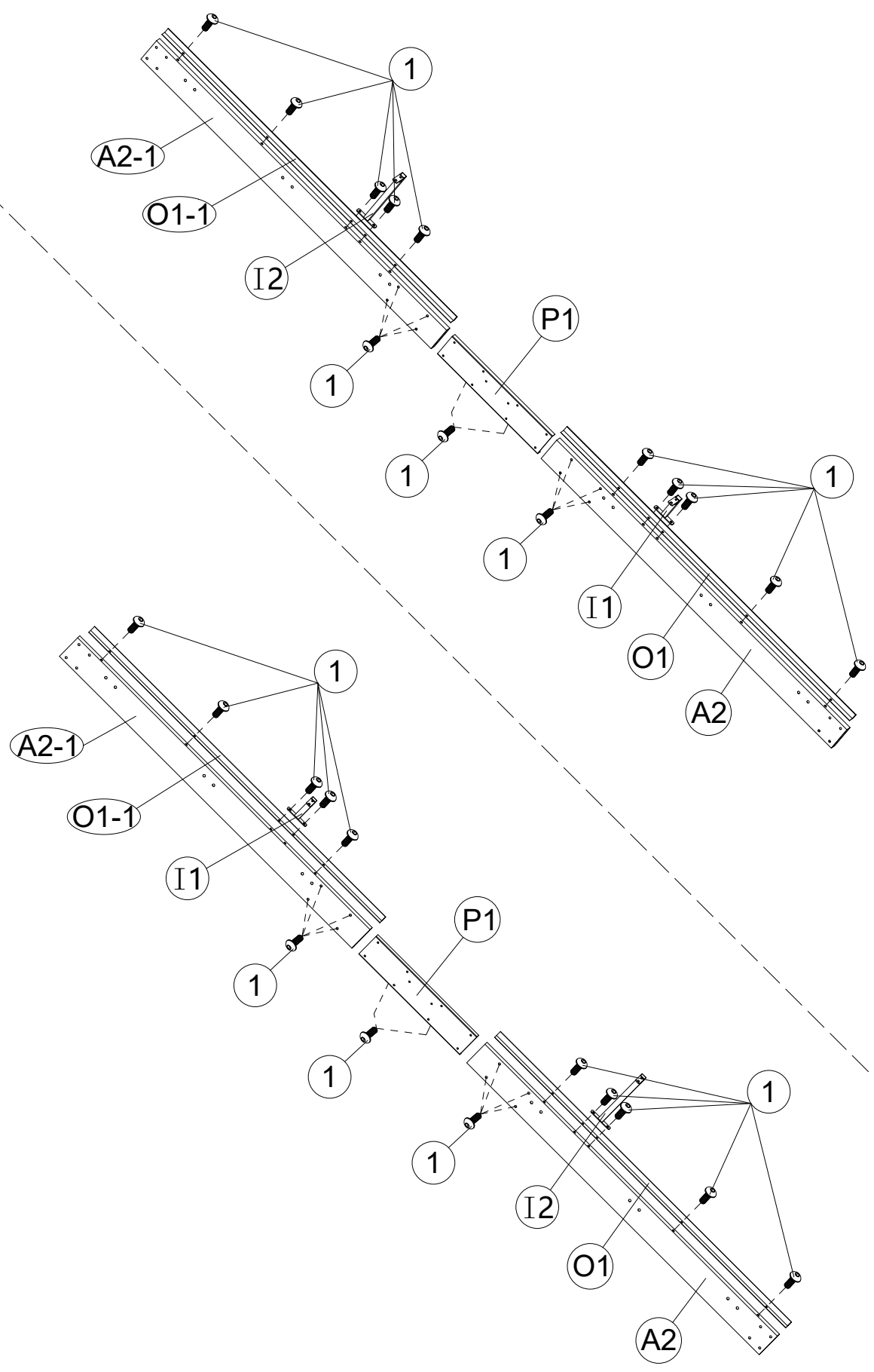


P1 2x

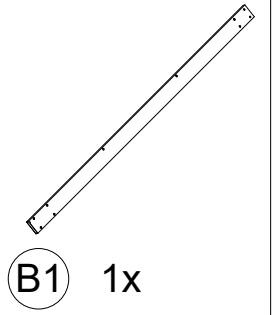


M6x15

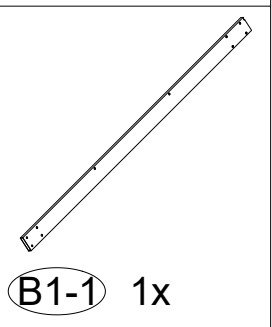
1 40x



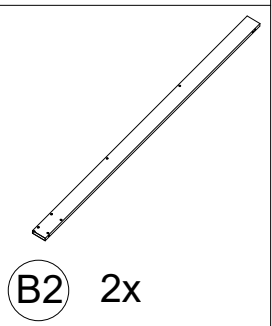
<7>



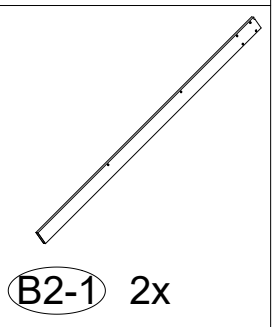
B1 1x



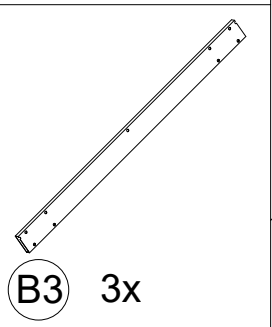
B1-1 1x



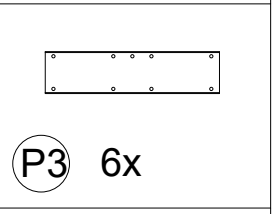
B2 2x



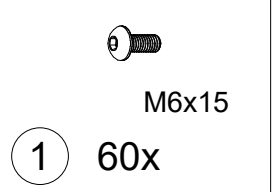
B2-1 2x



B3 3x



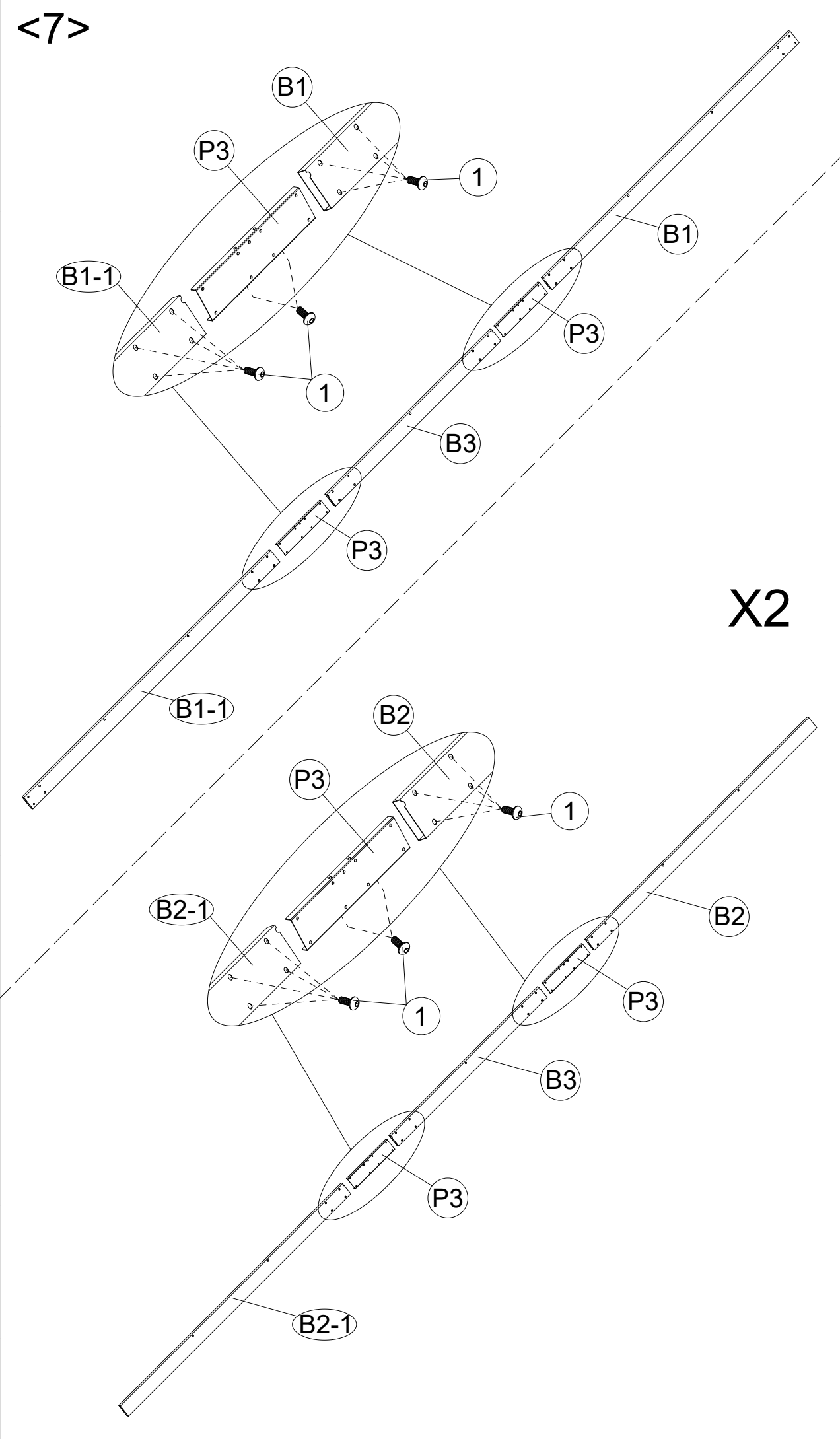
P3 6x



M6x15

1 60x

18



<8>

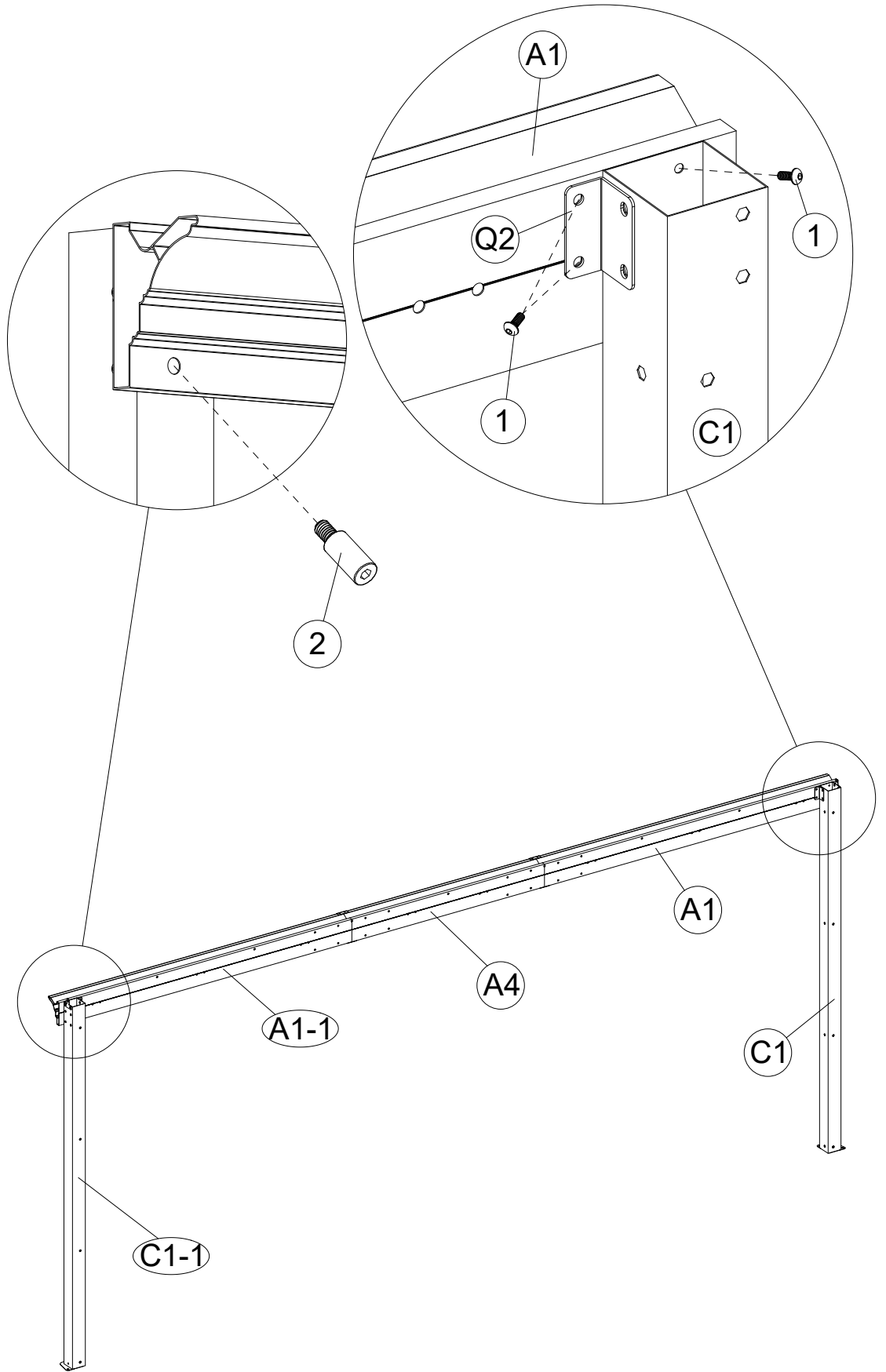


2 2x



M6x15

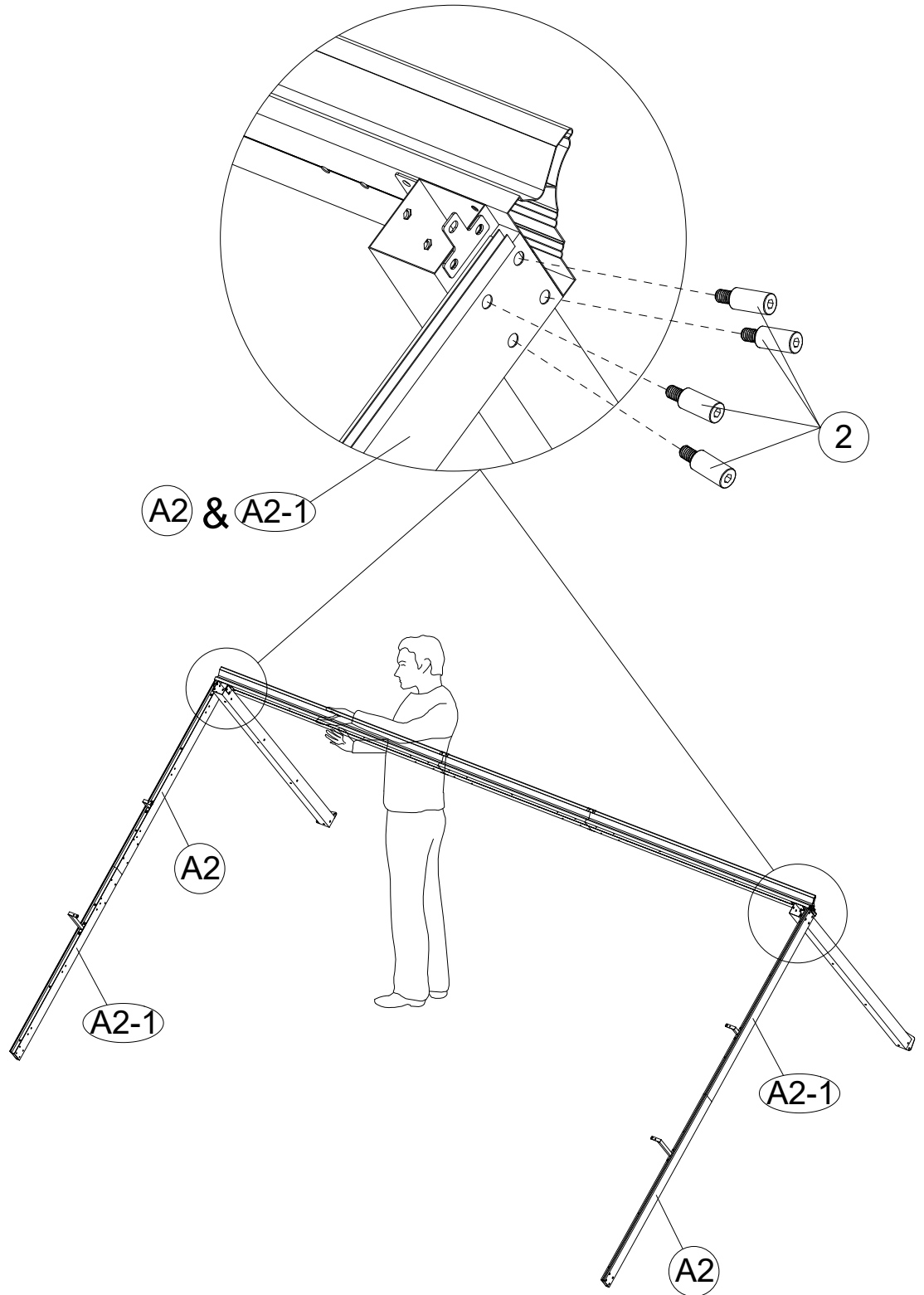
1 6x



<9>



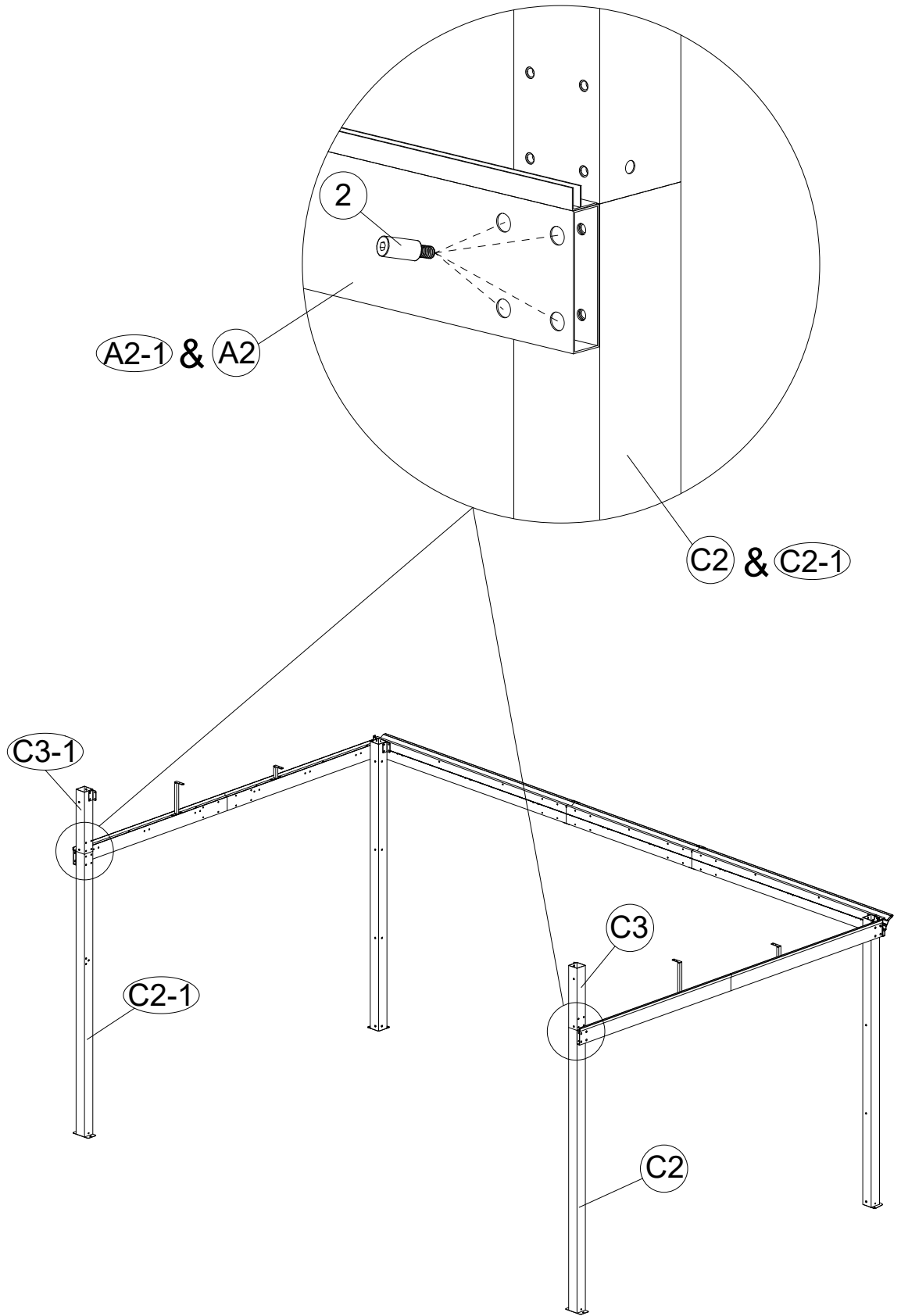
2 8x



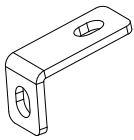
<10>



2 8x



<11>



X1 2x

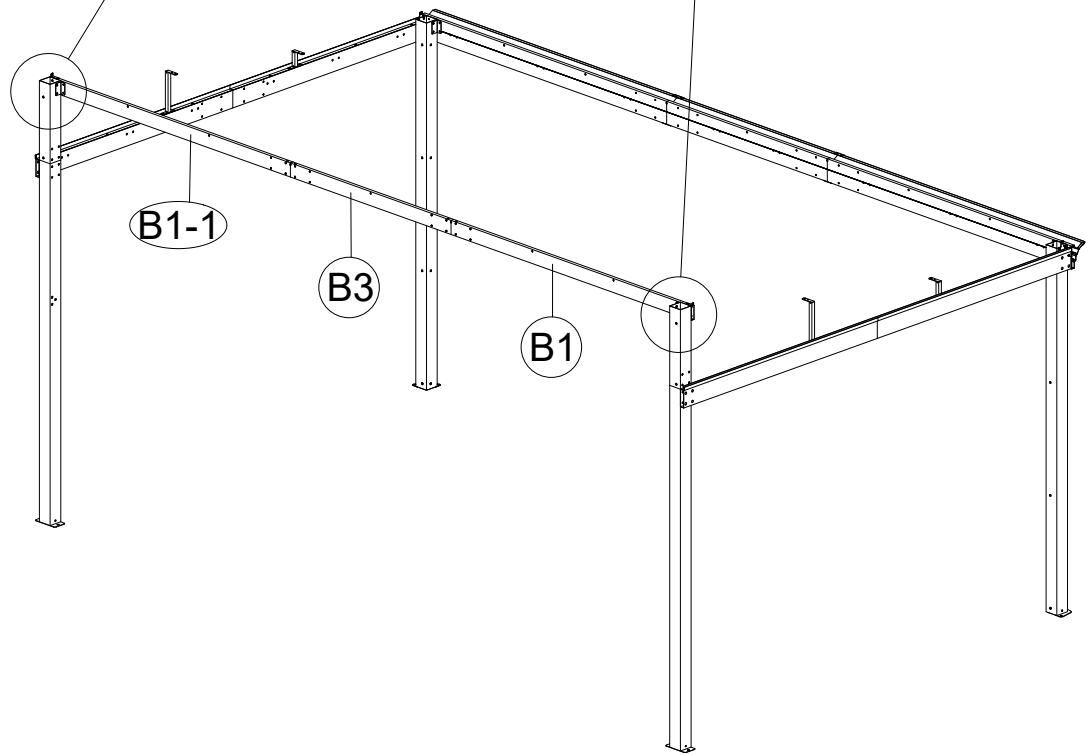
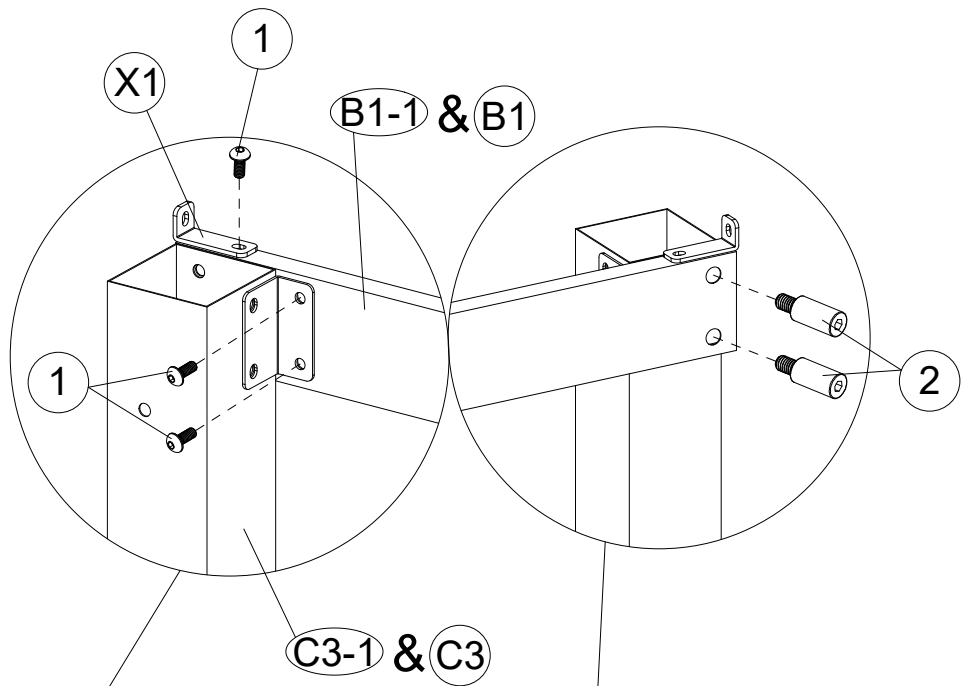


2 4x

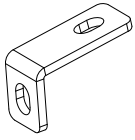


M6x15

1 6x



<12>

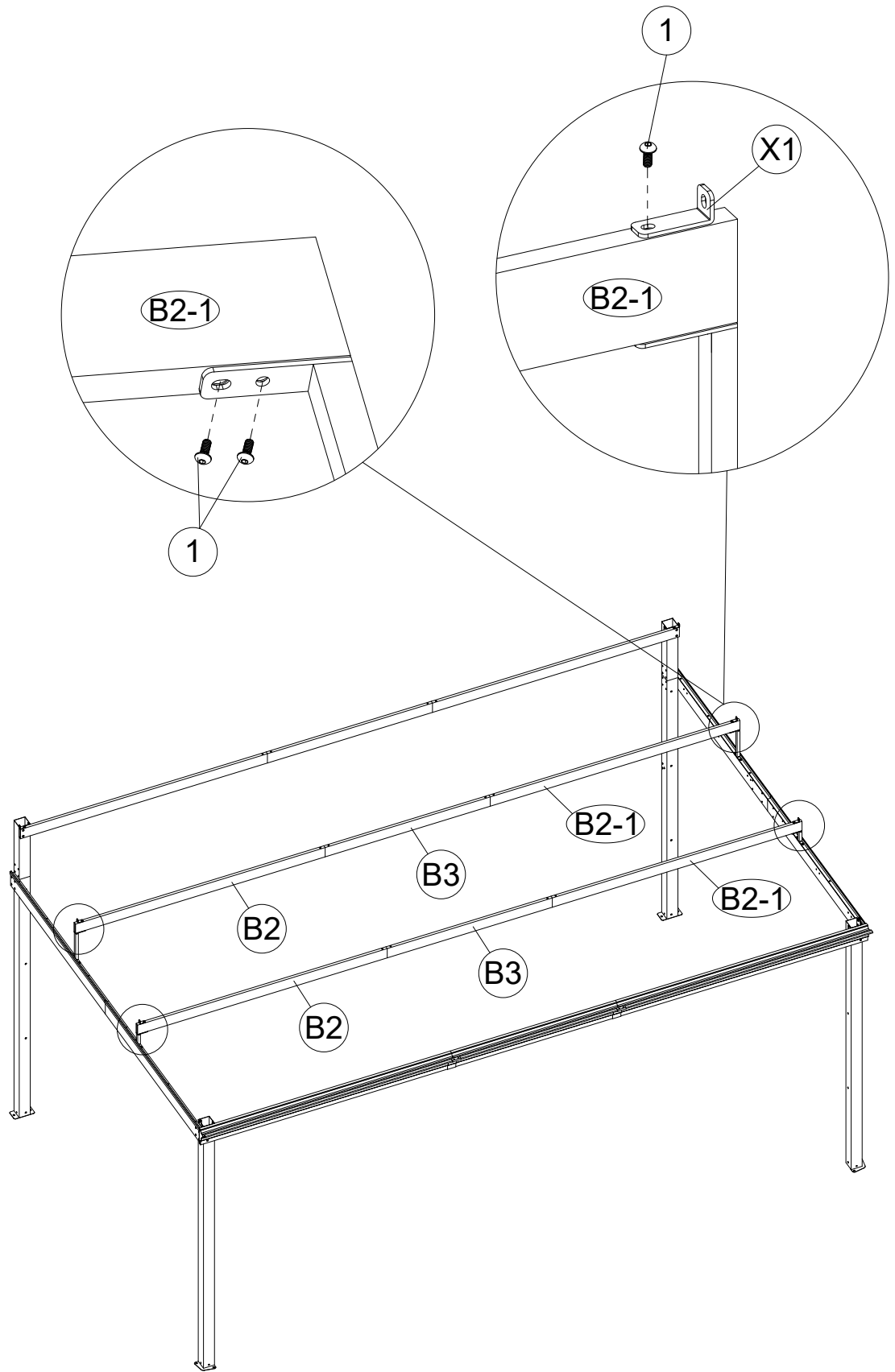


X1 4x

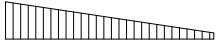


M6x15

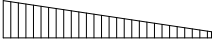
1 12x



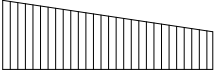
<13>



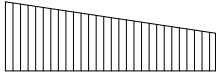
(R1) 1x



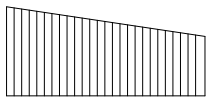
(R1-1) 1x



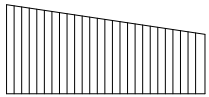
(R2) 1x



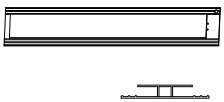
(R2-1) 1x



(R3) 1x



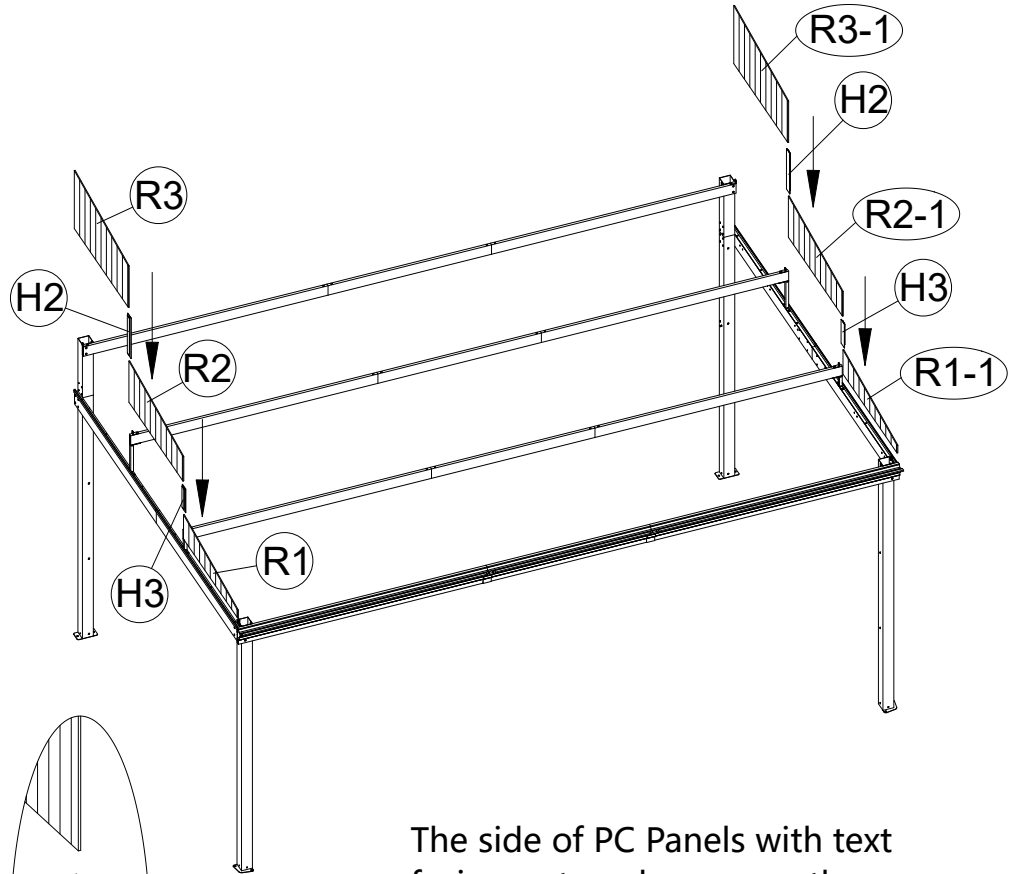
(R3-1) 1x



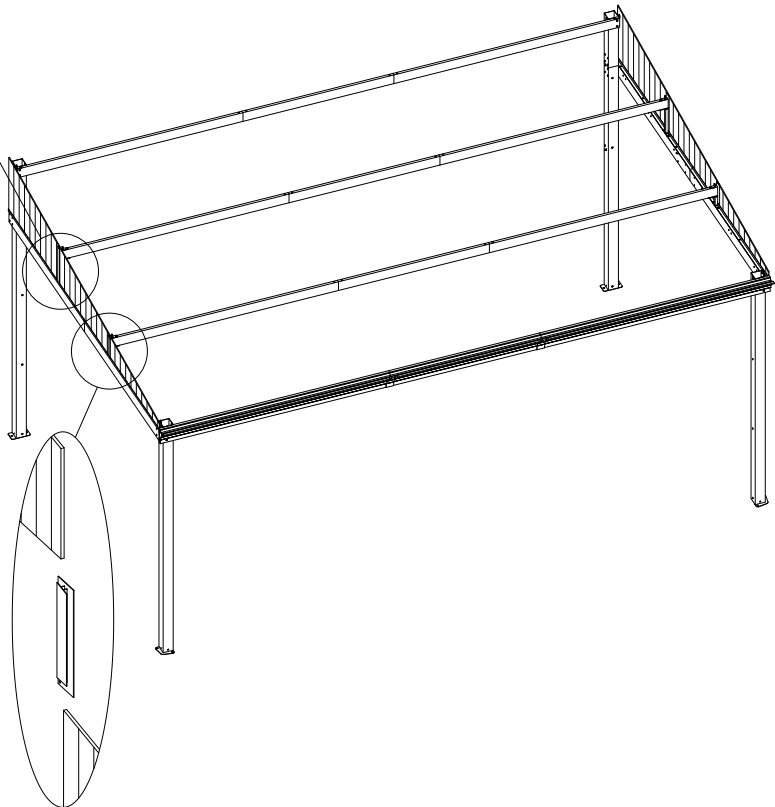
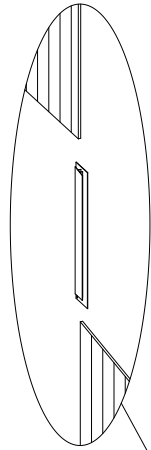
(H2) 2x




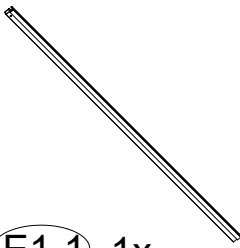
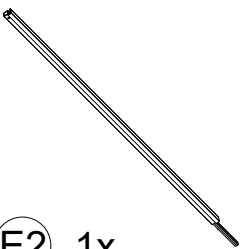

(H3) 2x

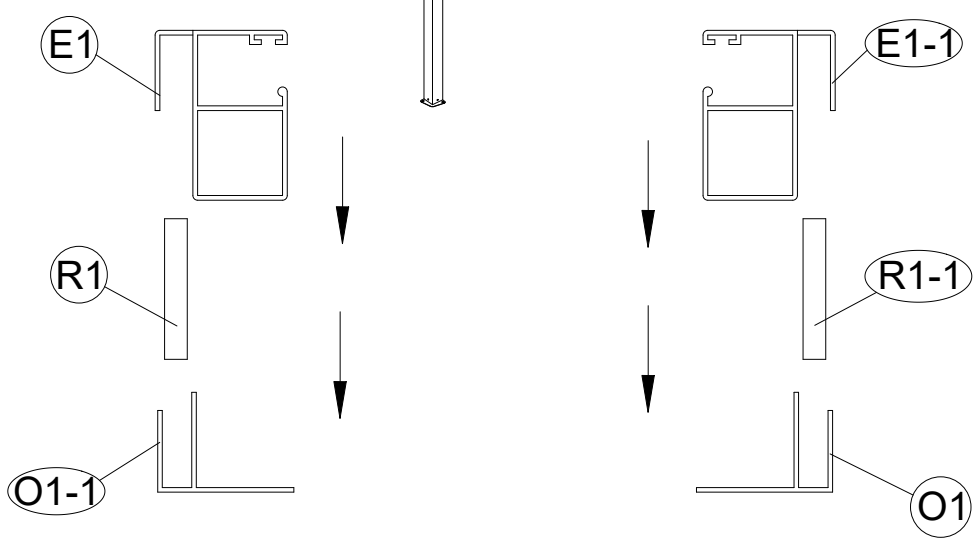
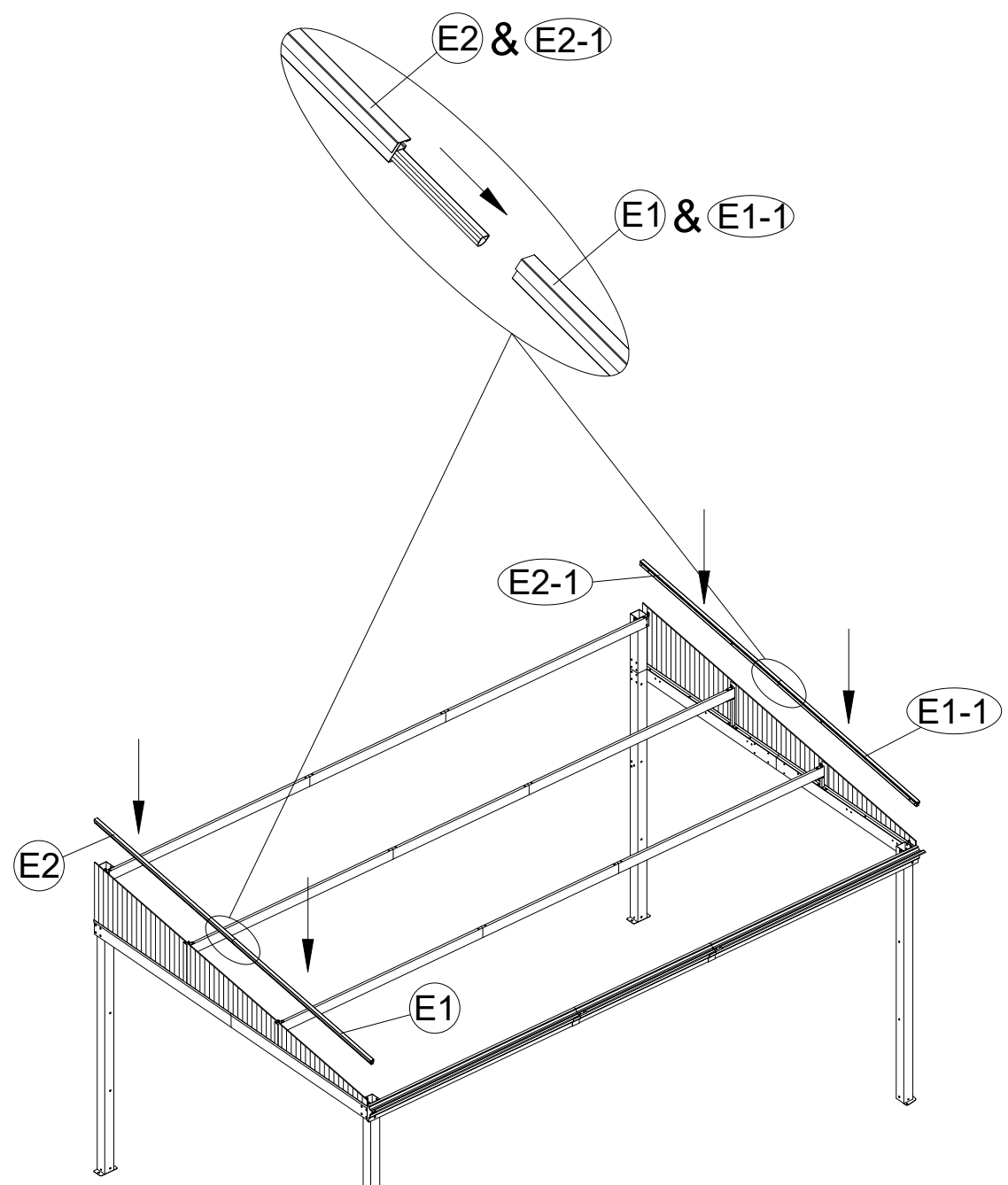


The side of PC Panels with text facing outwards, remove the protective film and install the panel.



<14>

-  E1 1x
-  E1-1 1x
-  E2 1x
-  E2-1 1x

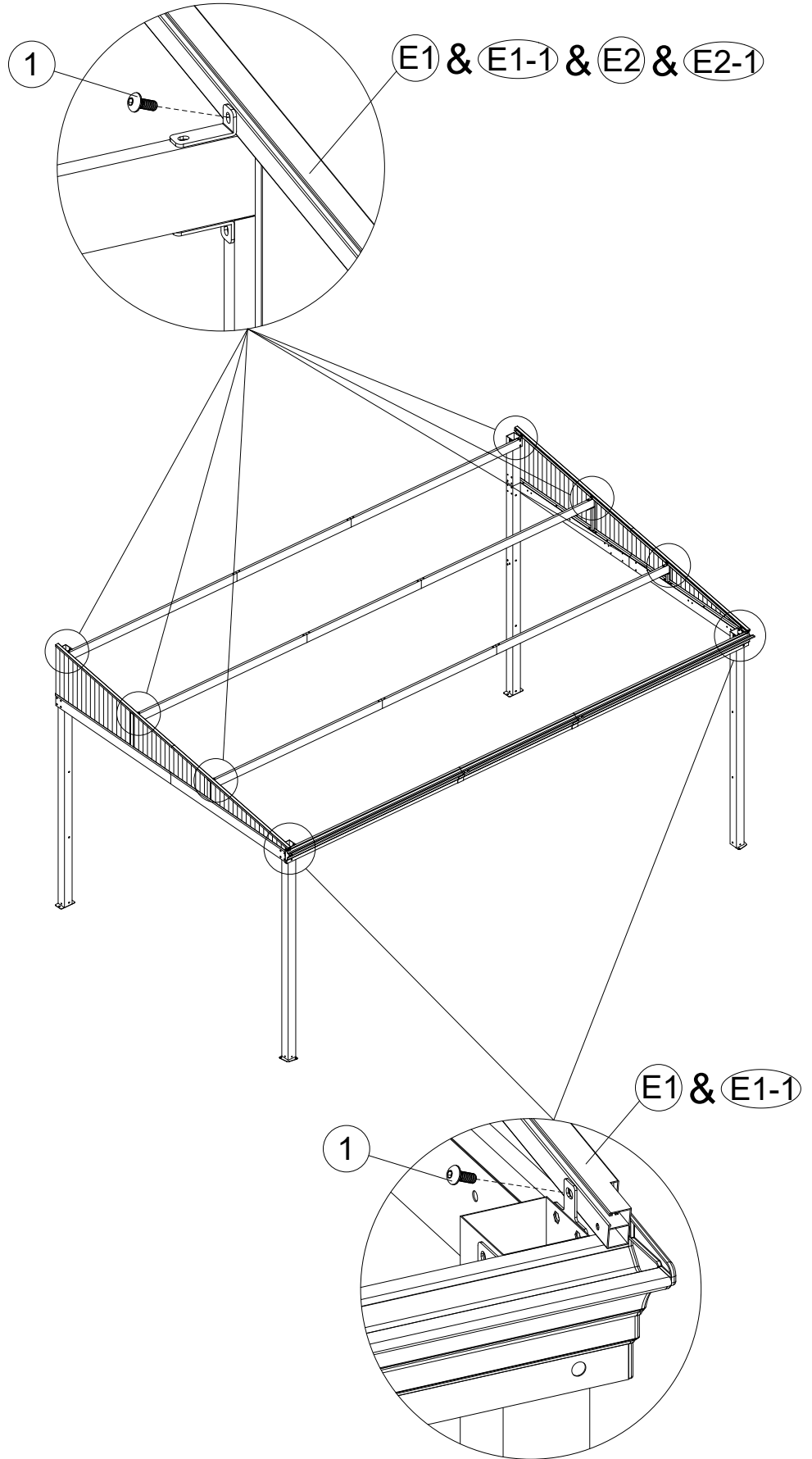




<15>

M6x15

1 8x

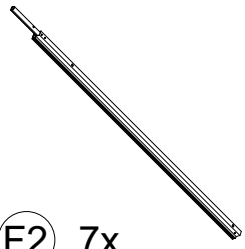


<16>

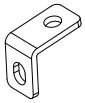
x5



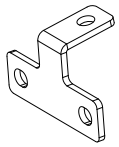
F1 7x



F2 7x



X2 26x

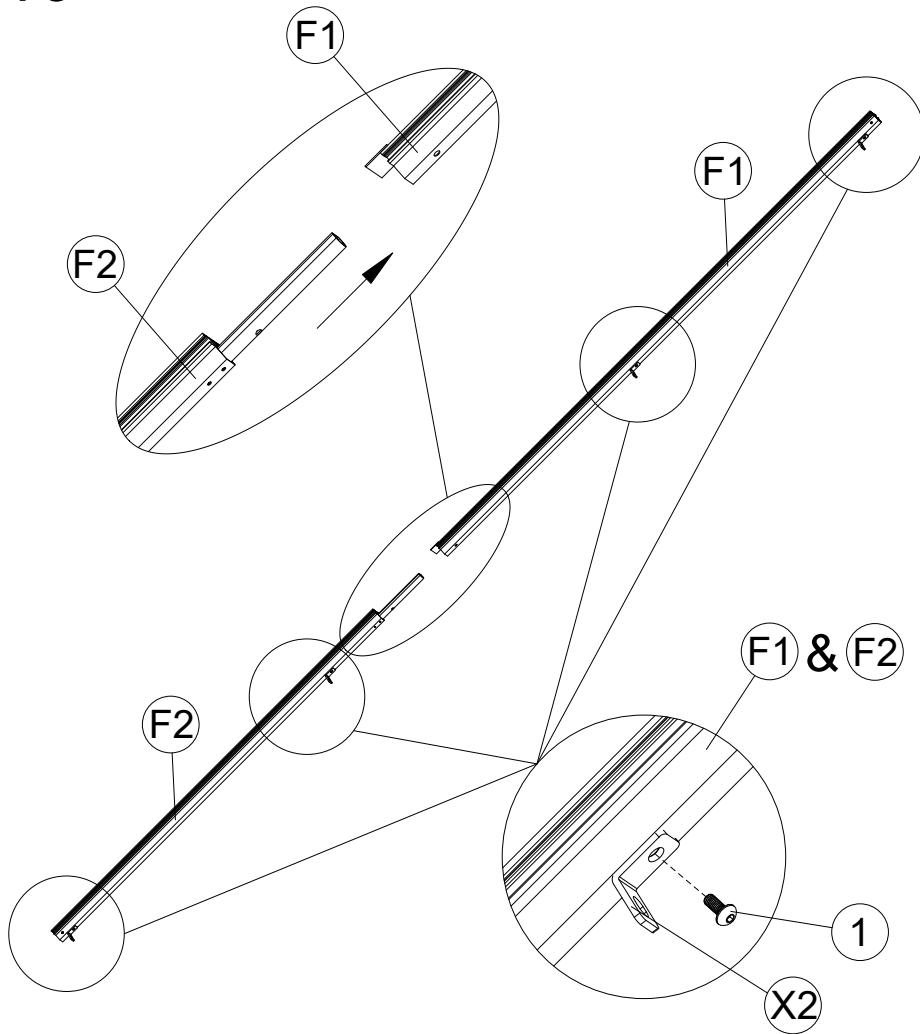


X3 2x

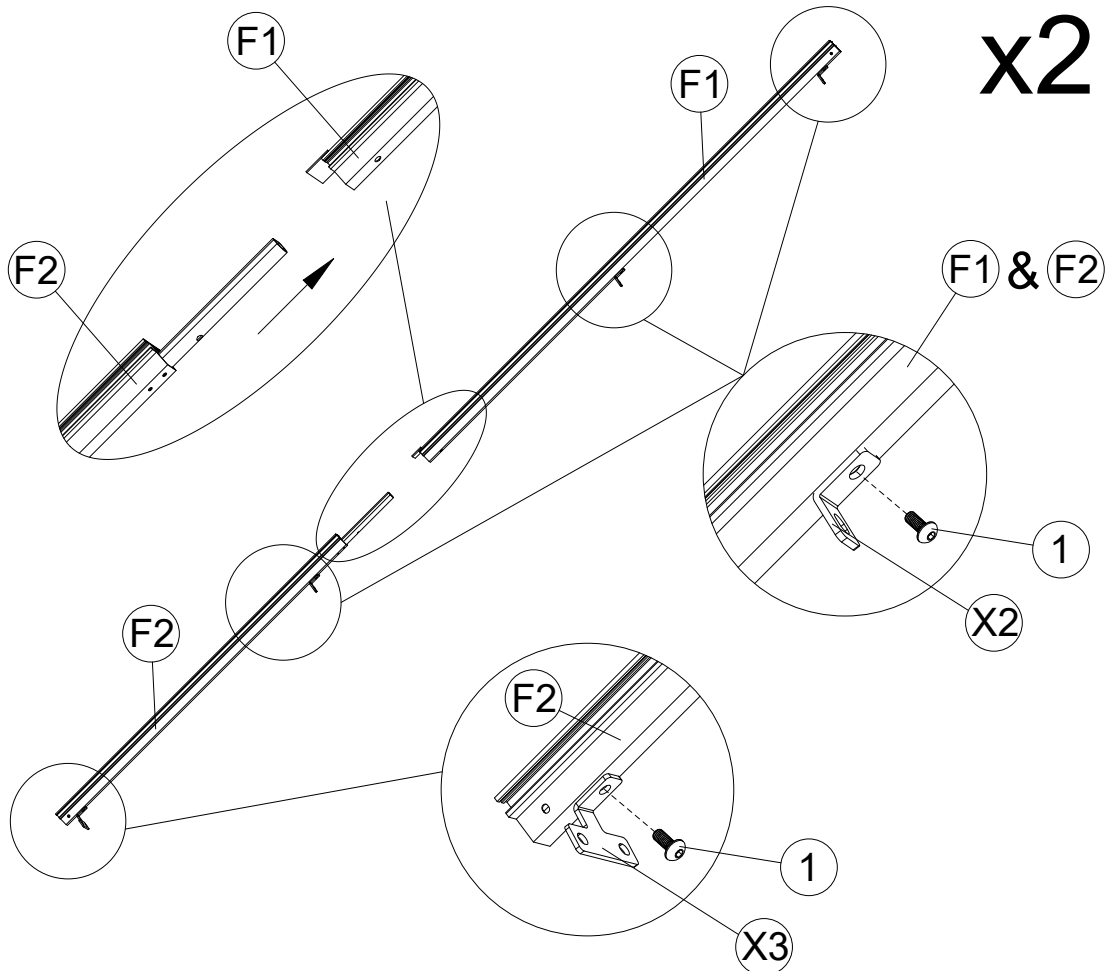


M6x15

1 28x

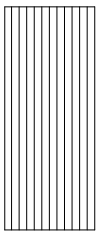


x2

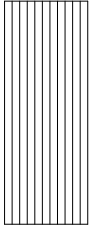


27

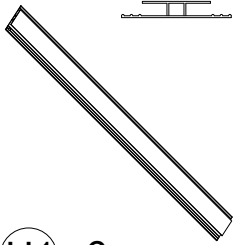
<18>



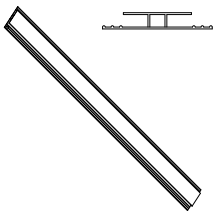
(Z) 12x



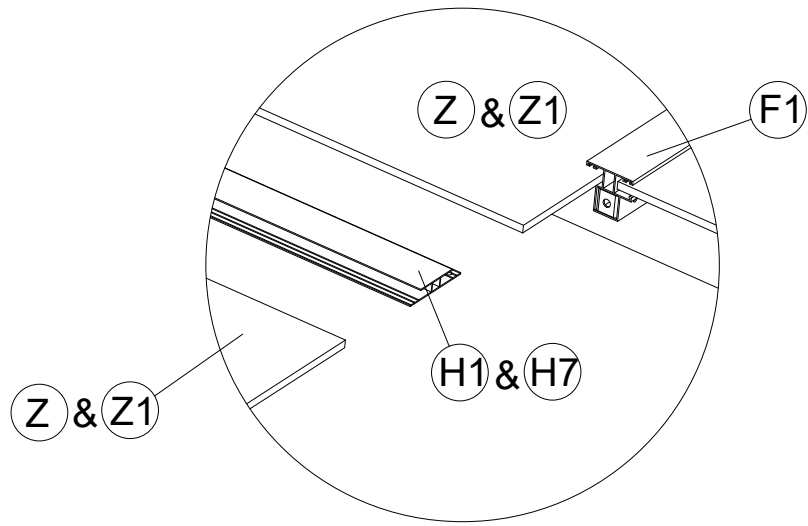
(Z1) 4x



(H1) 6x

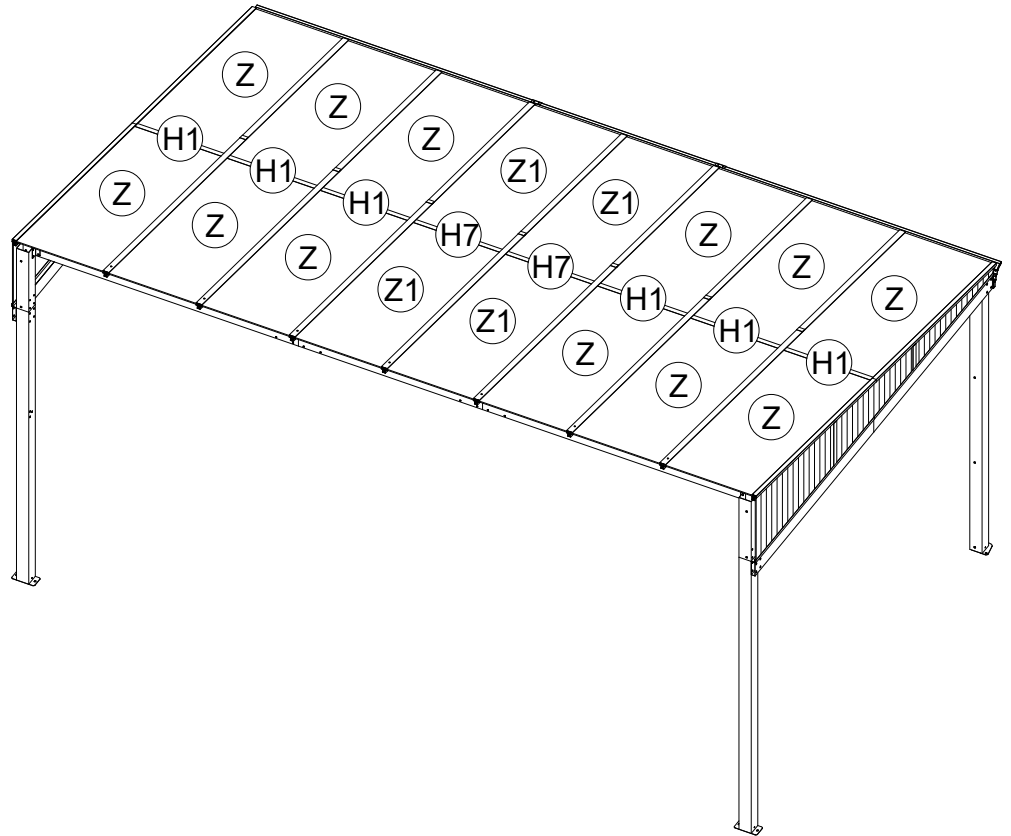


(H7) 2x

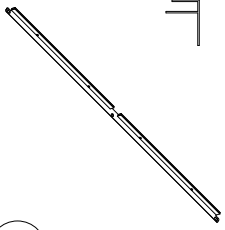


Note:

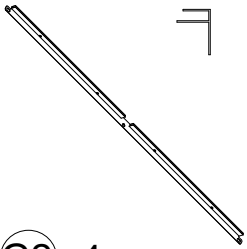
When H1 and H7 slide into the F1, the wide side must be face down and narrow side face up, otherwise will cause water leaking



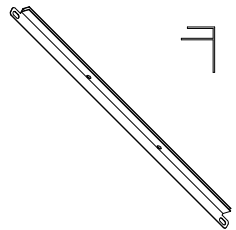
<19>



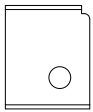
G3 2x



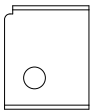
G2 4x



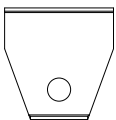
G1 4x



V1 1x



V2 1x



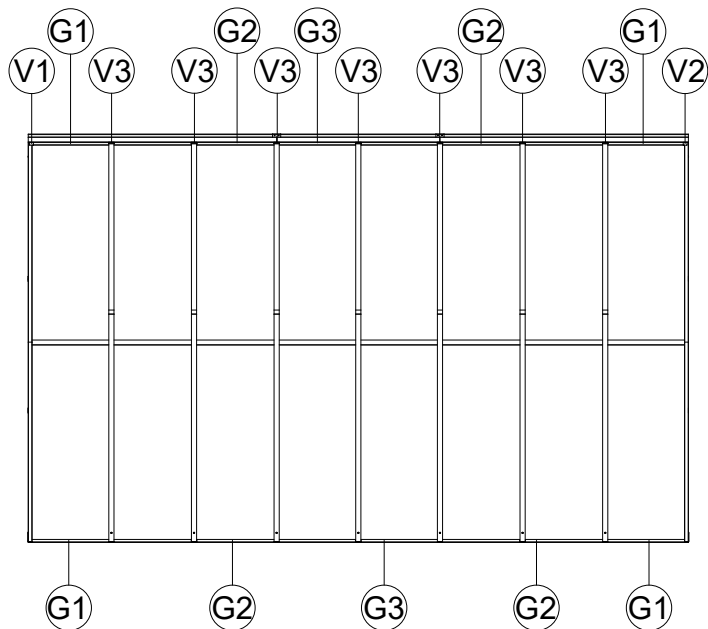
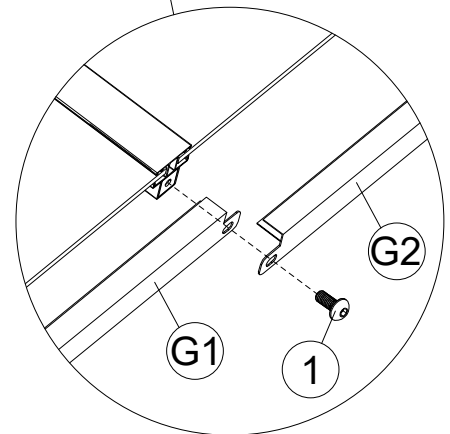
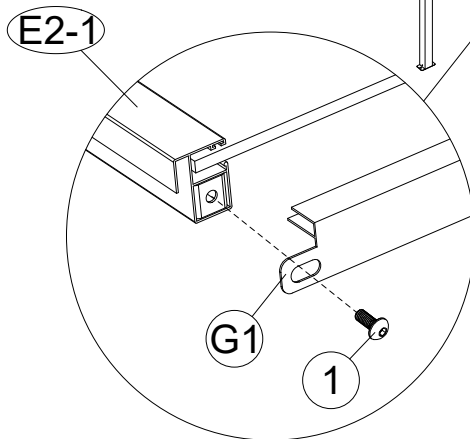
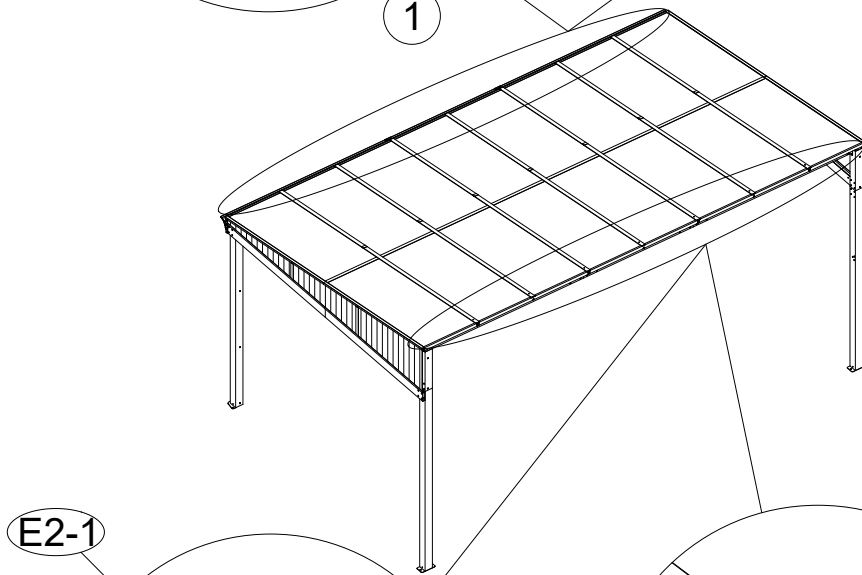
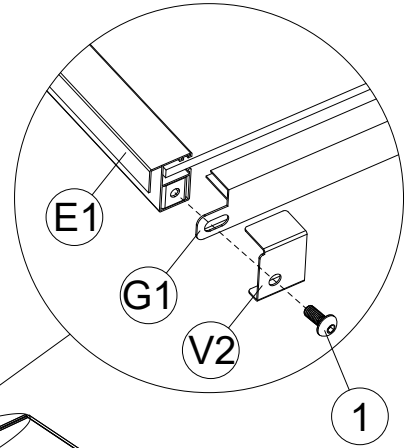
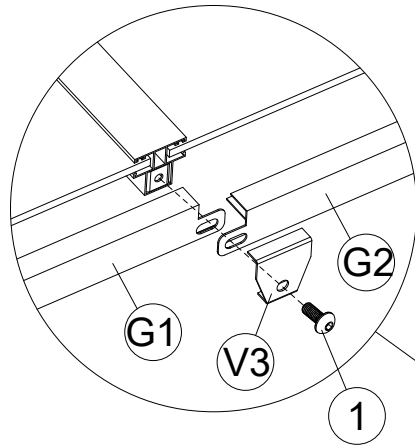
V3 7x



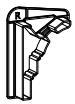
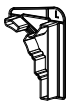
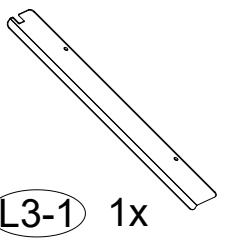
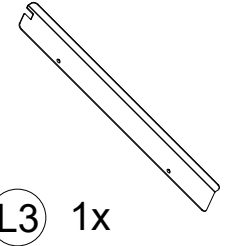
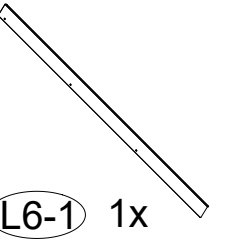
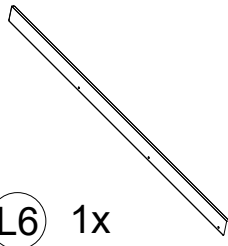
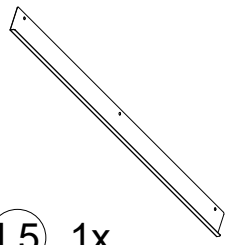
M6x15

1 18x

30

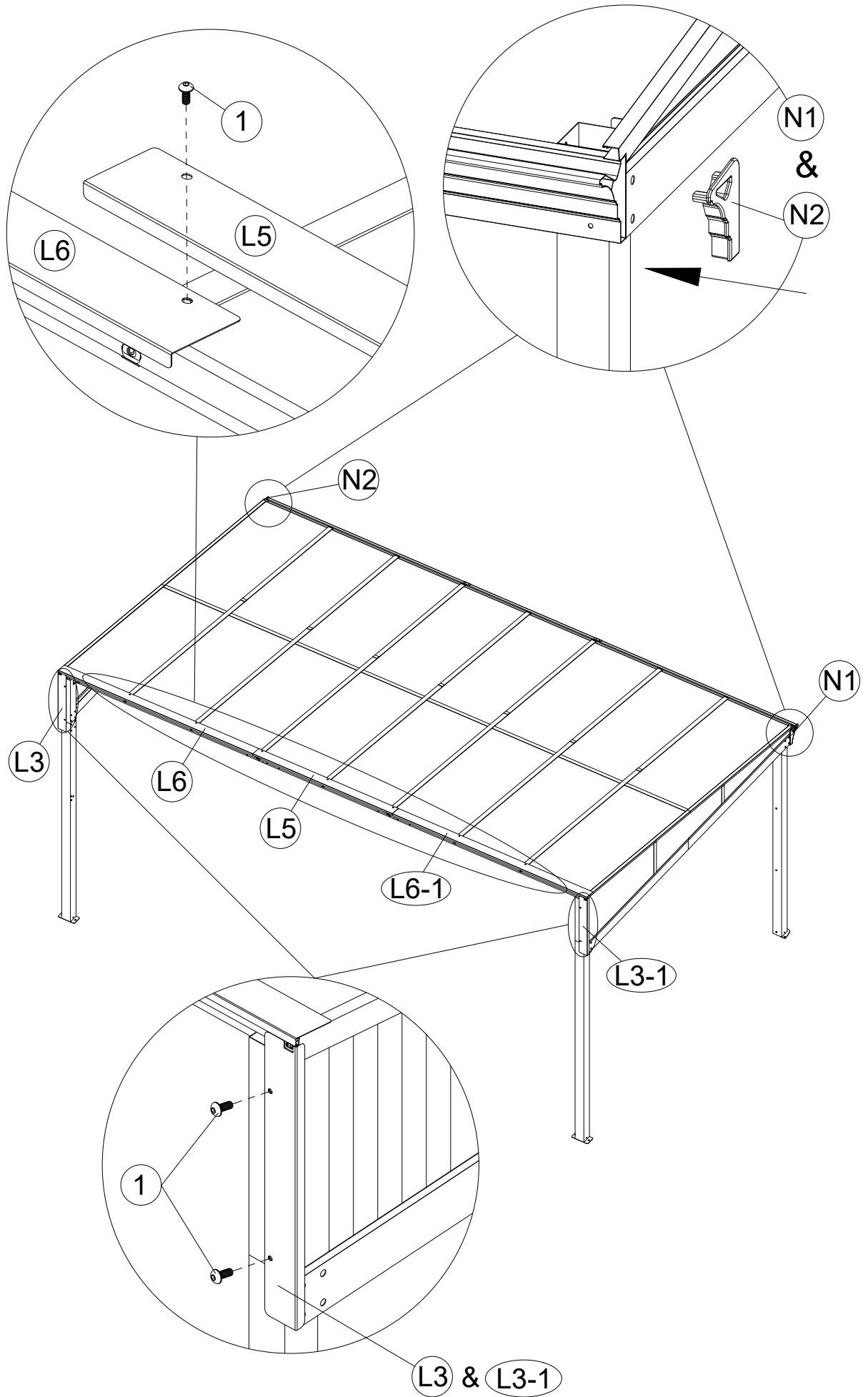


<20>



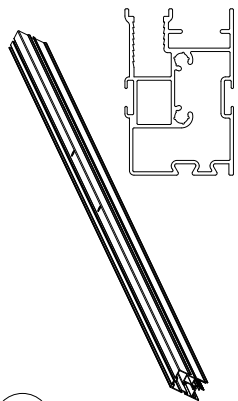
1 11x

31

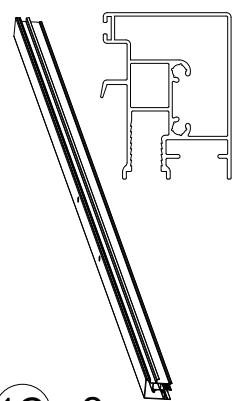


<21>

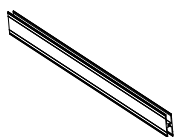
AB 2x



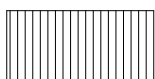
1B 2x



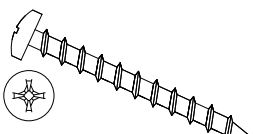
1C 2x



3G 4x

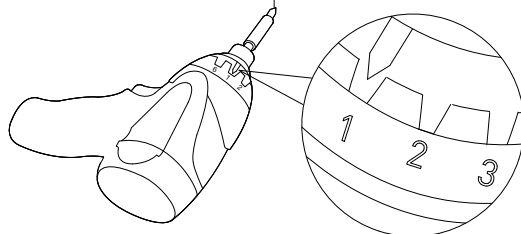
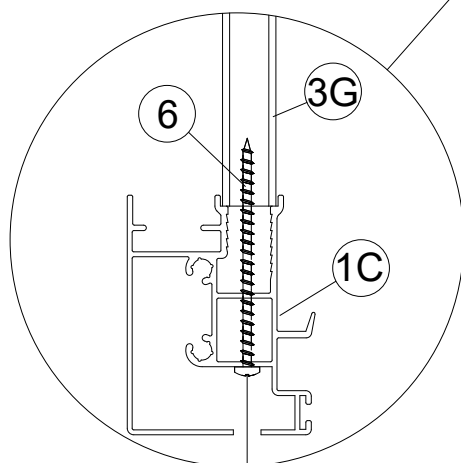
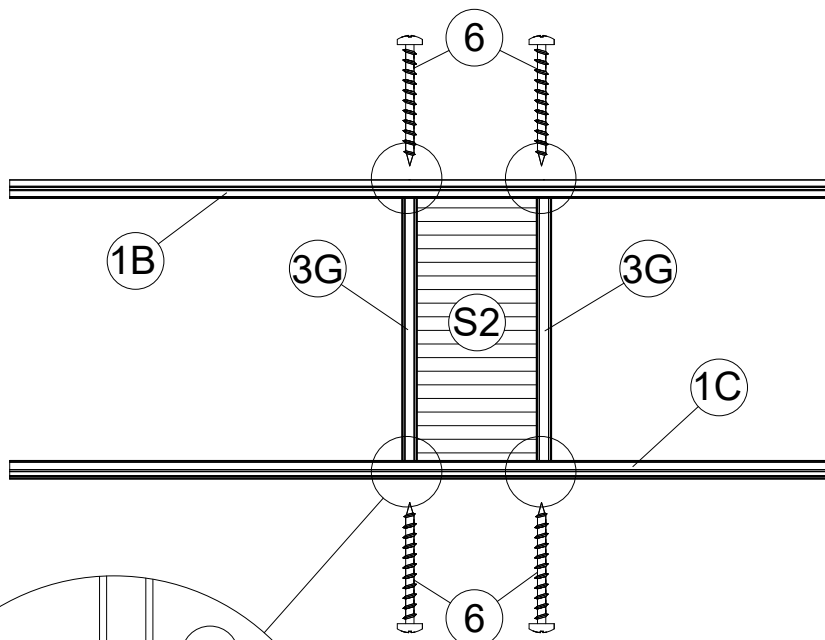


S2 2x



M4x50

6 8x



Select the low gear.

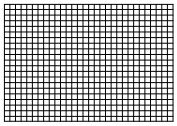
The side of PC Panel with text facing outwards, remove the protective film and install the panel.



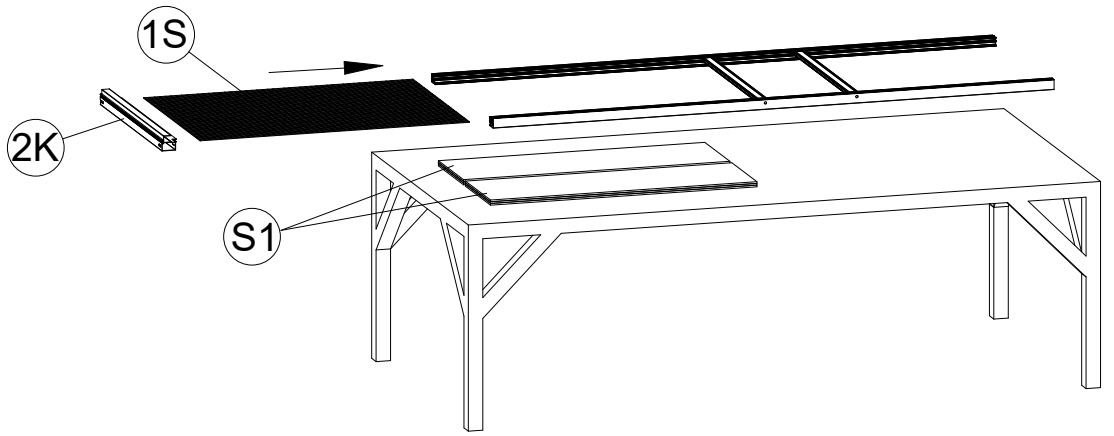
The door frame installation template on pages 32 to 36 is displayed. All subsequent door frames follow this template.

<22>

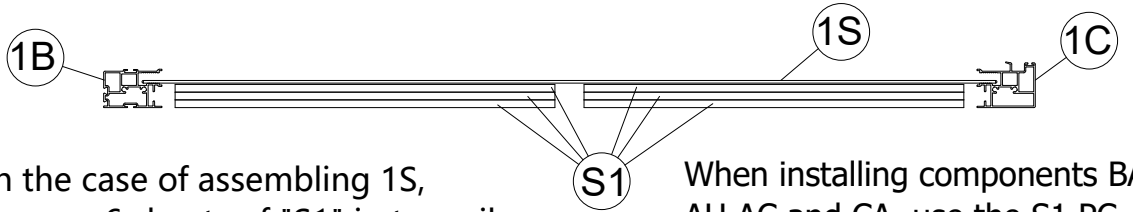
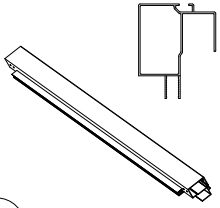
AB 2x



1S 2x

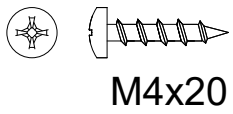


2K 2x



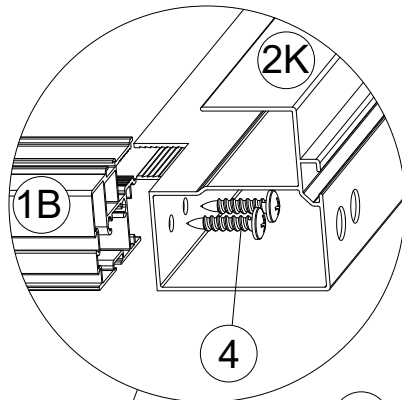
In the case of assembling 1S, borrow 6 sheets of "S1" in two piles and drain the bottom, lift the "1S".

When installing components BA, AH, AC and CA, use the S1 PC panel as a pad in the same way.

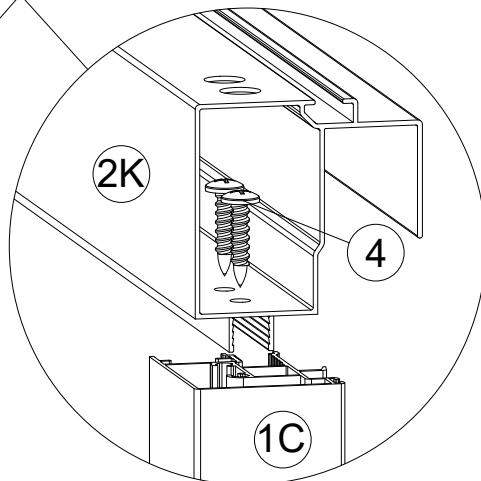
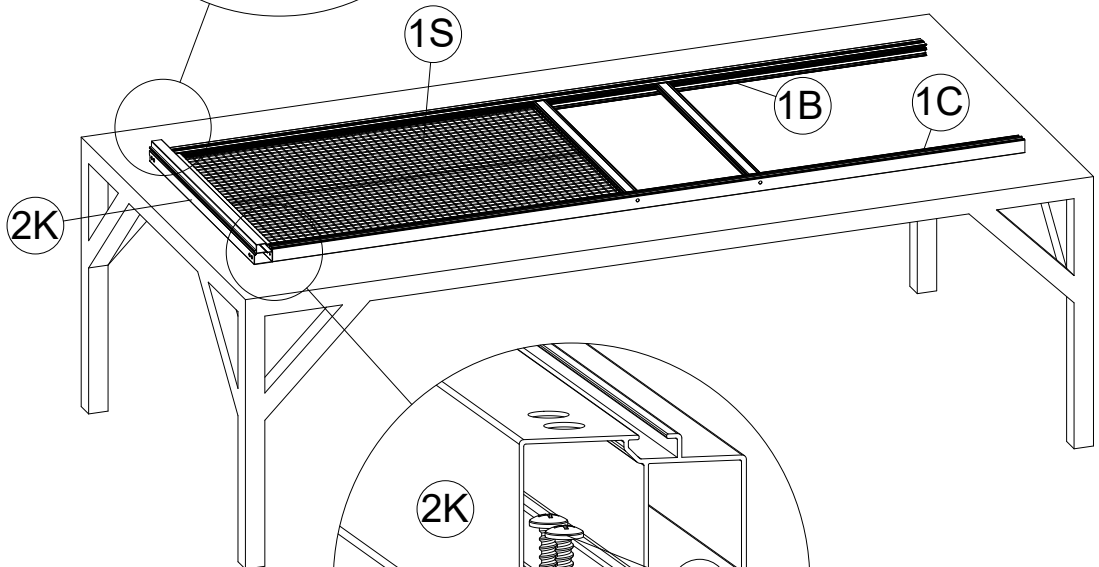


M4x20

4 8x



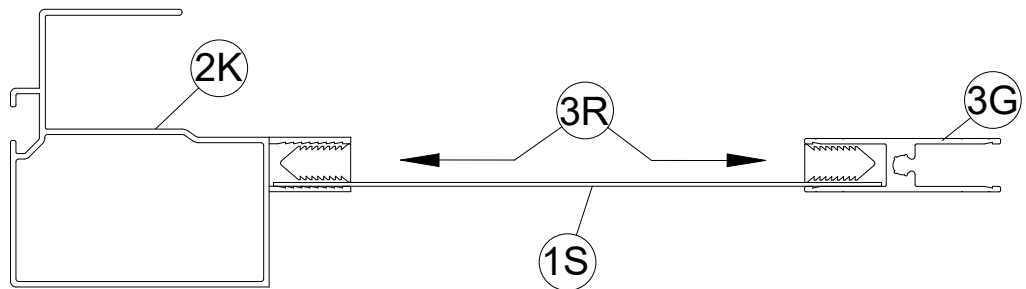
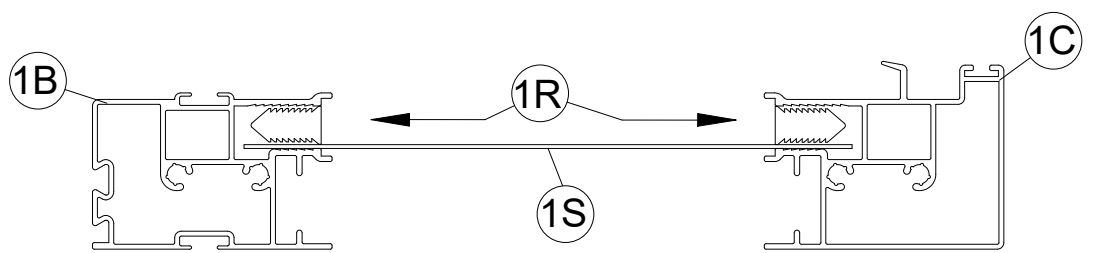
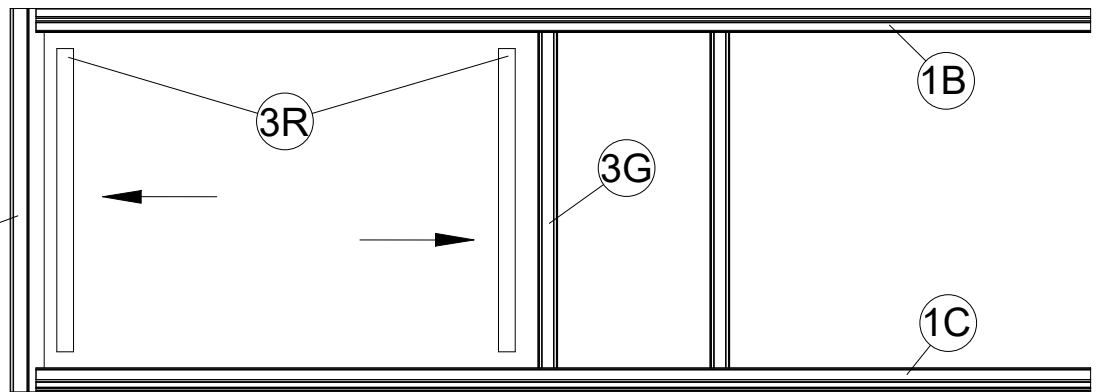
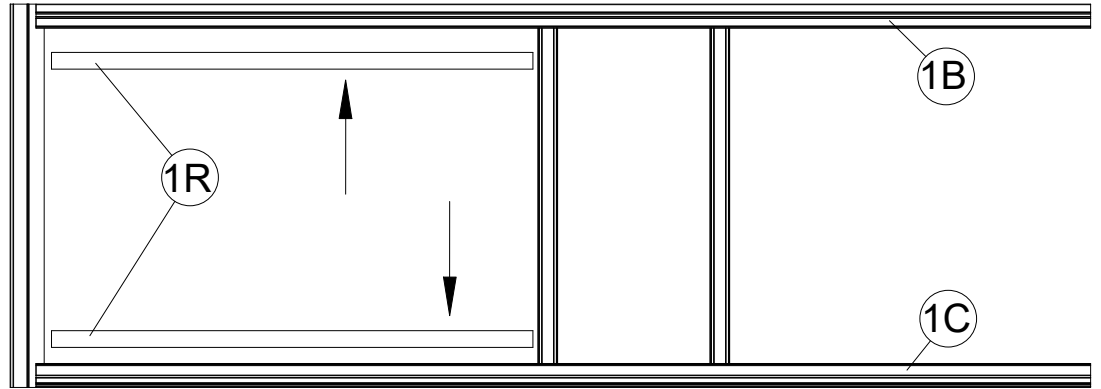
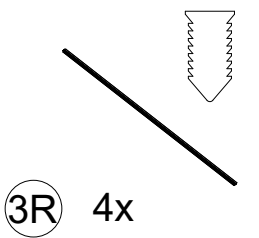
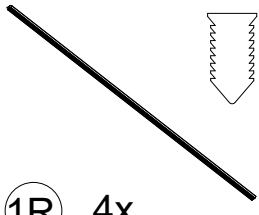
Please pay attention to the details.



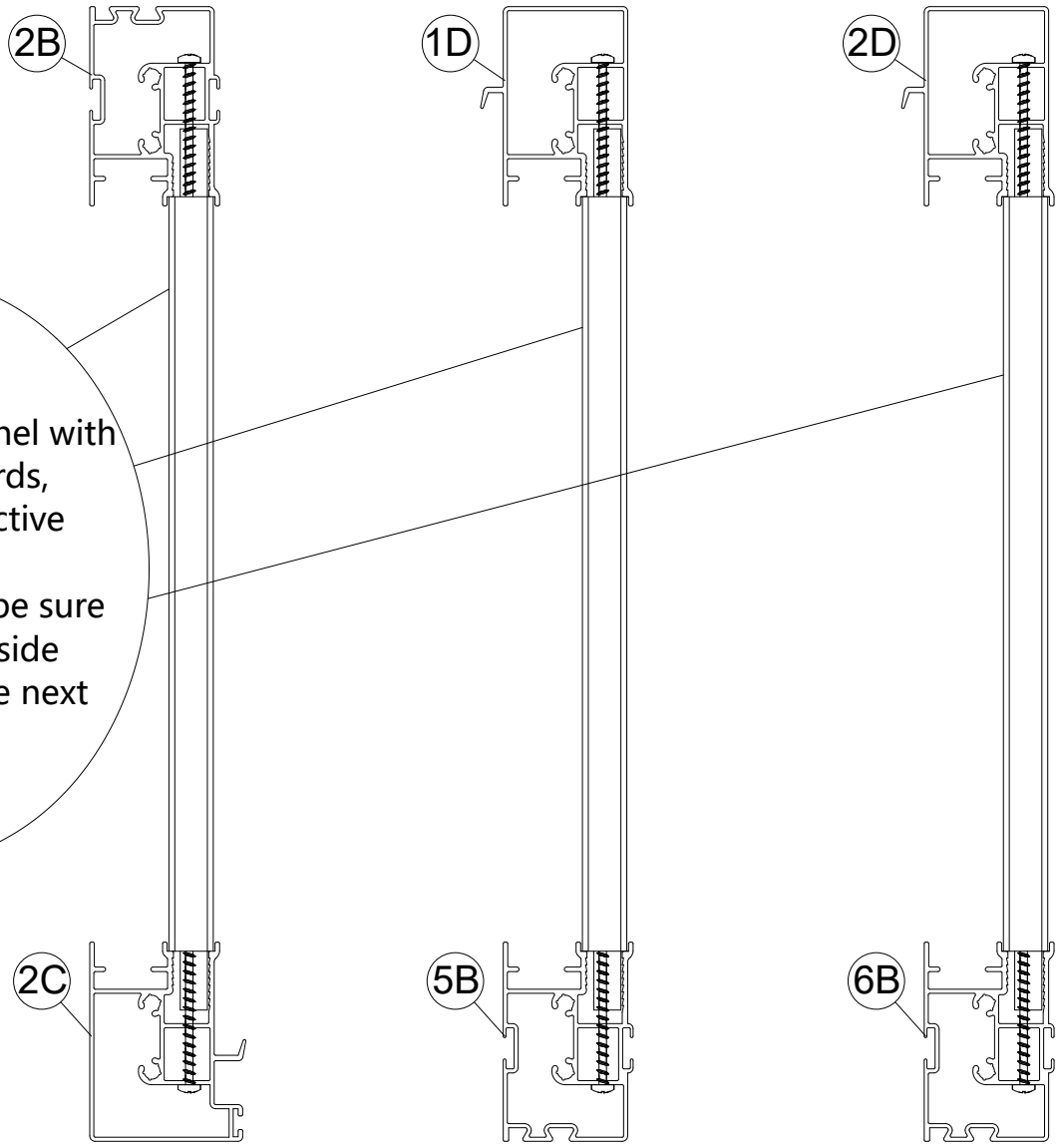
<23>

AB 2x

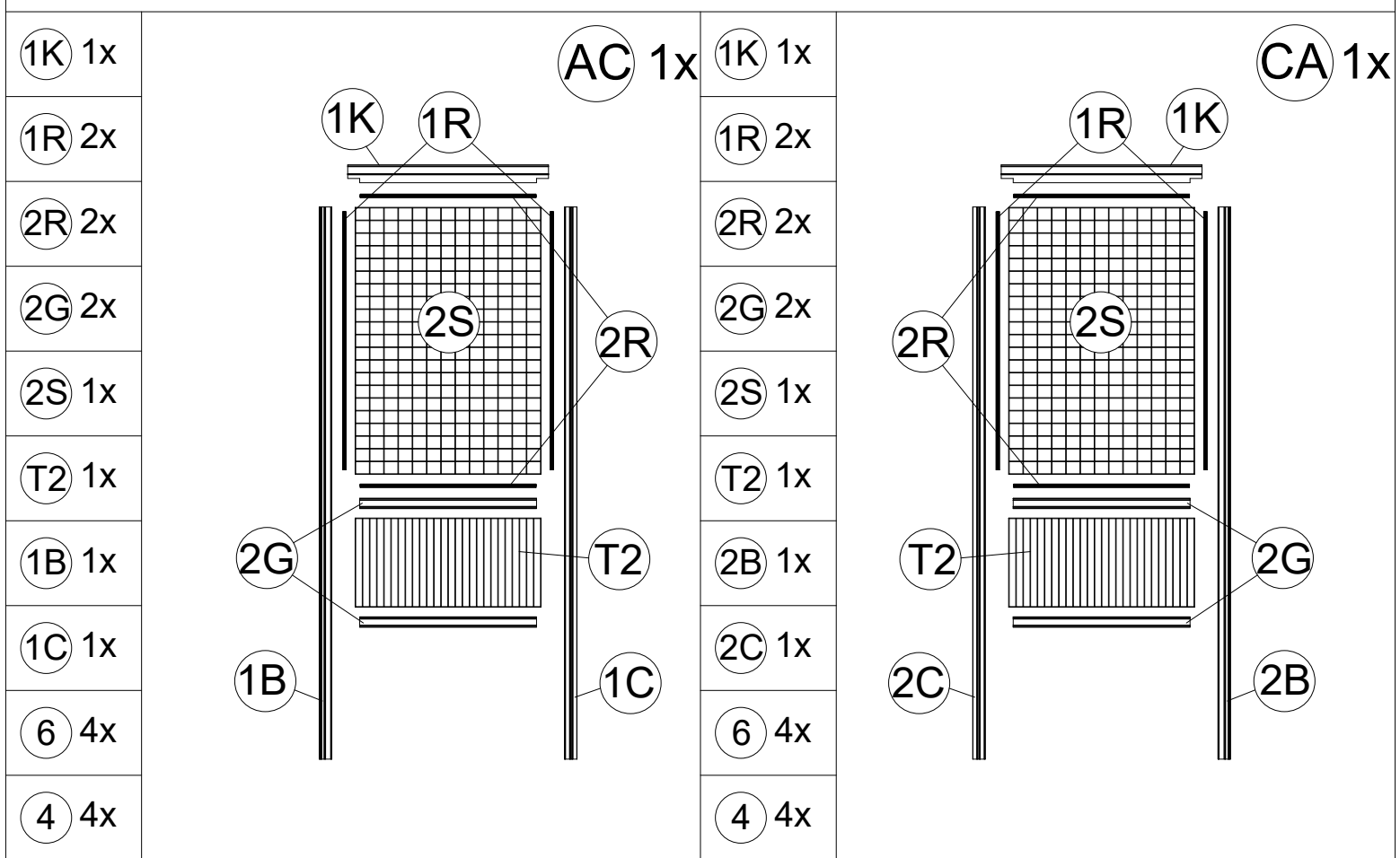
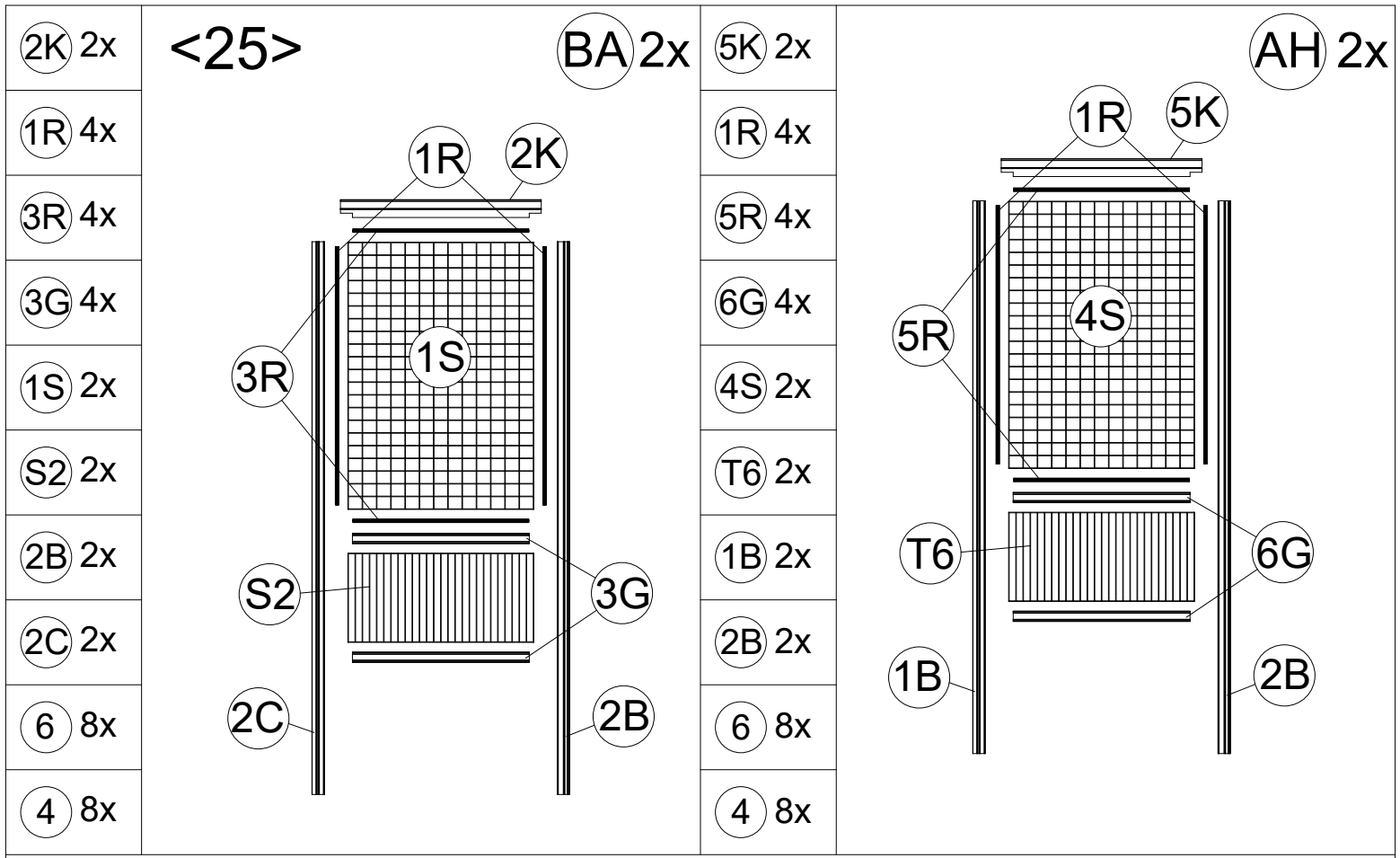
Before installing the parts (1R and 3R),
move the mesh by hand to ensure make
enough space around the mesh.



This diagram is for subsequent reference.



The side of PC Panel with text facing outwards, remove the protective film and install it. After installation, be sure to keep the front side unchanged for the next step.

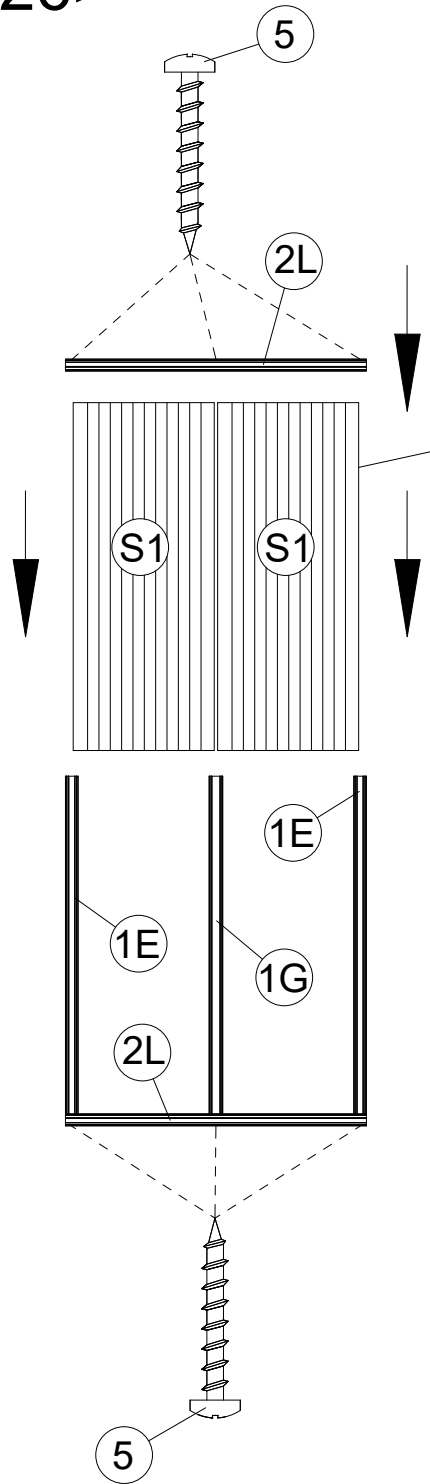
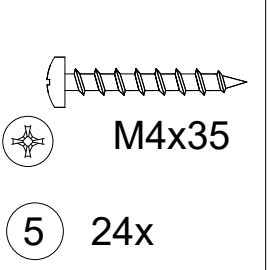
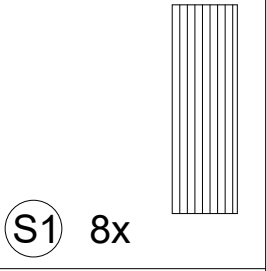
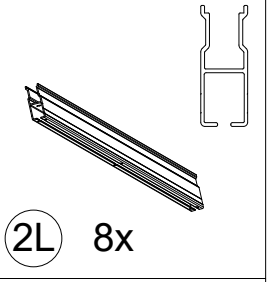
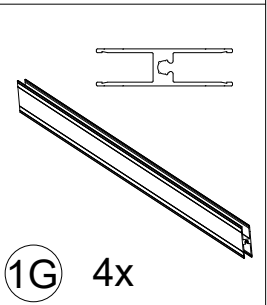
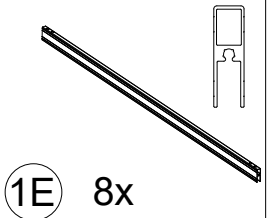


Install door frame BA, AH, AC, CA according to the installation on pages 32 to 36.

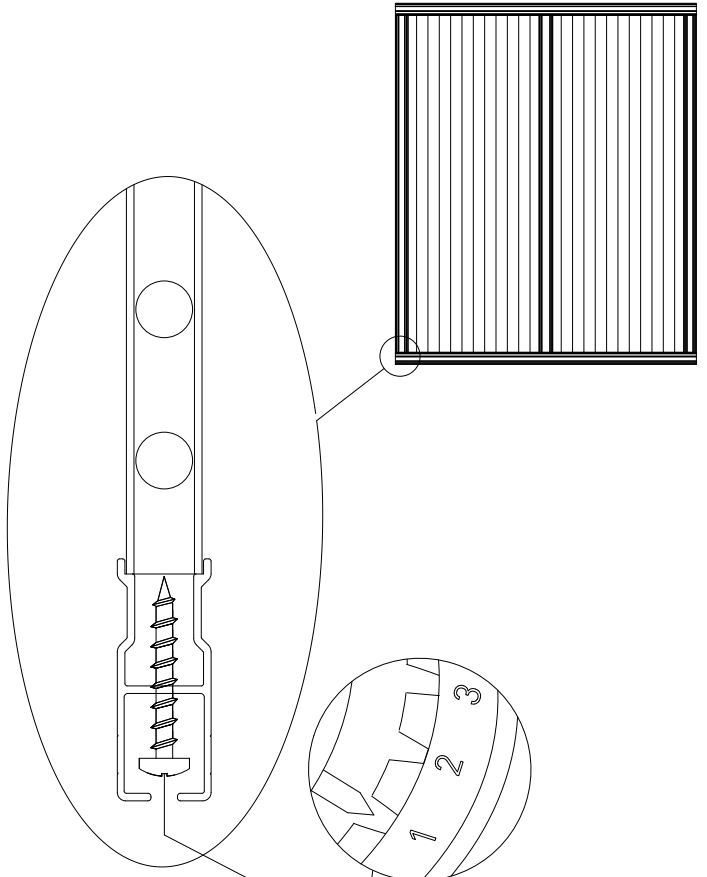
Component AB is symmetric to BA, AC is symmetric to CA.

<26>

AF 4x



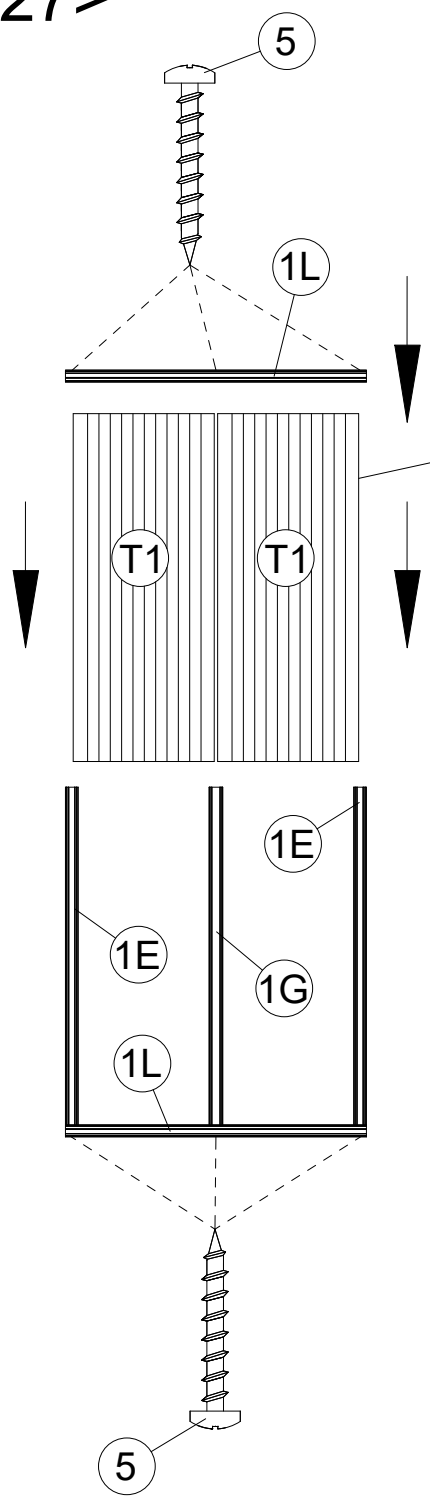
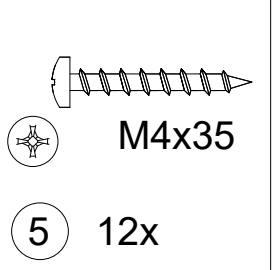
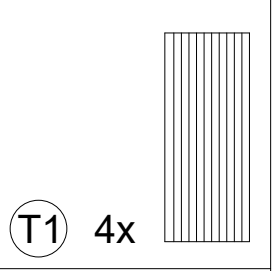
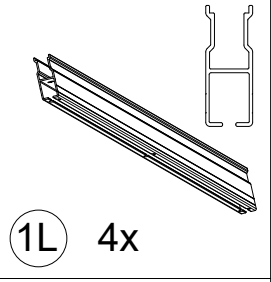
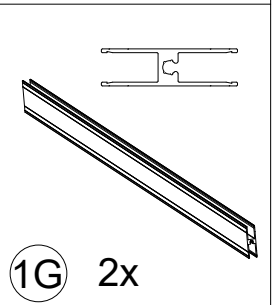
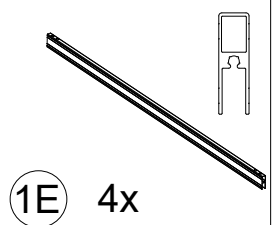
The side of the PC panel with the text facing outward, remove the protective film and install it. After installation, be sure to leave the front side unchanged for the next step.



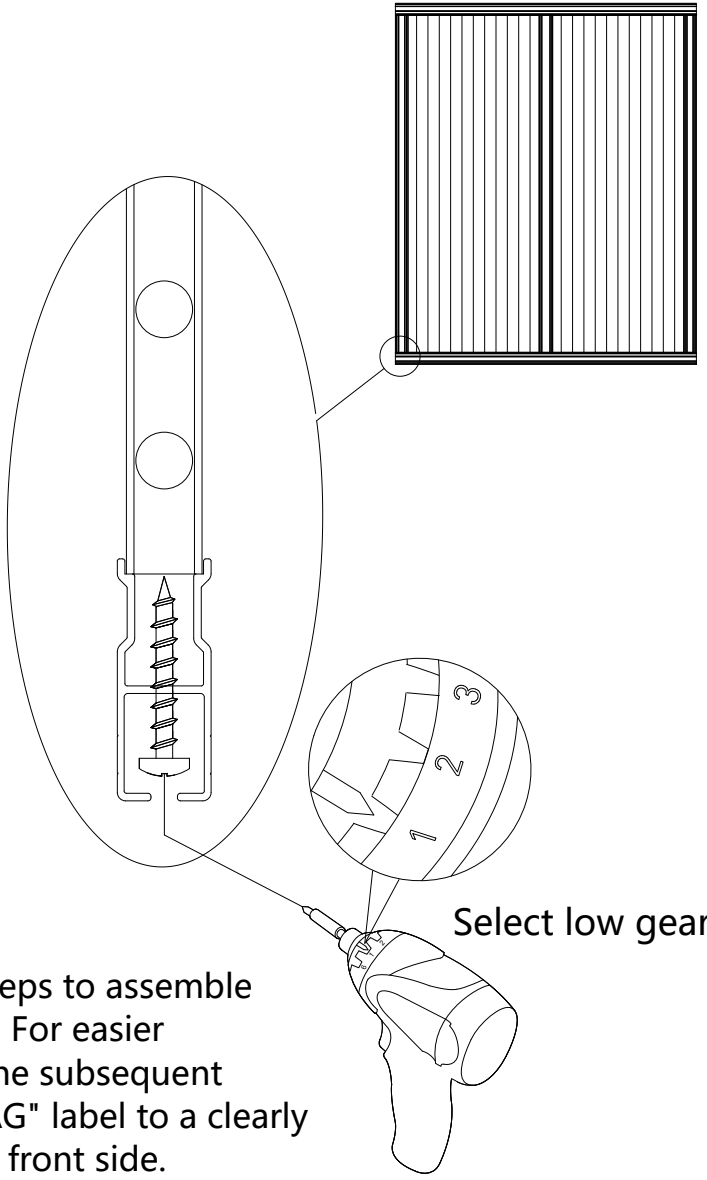
Repeat the previous steps to assemble eight AF components. For easier identification during the subsequent assembly, attach an "AF" label to a clearly visible position on the front side.

<27>

AG 2x



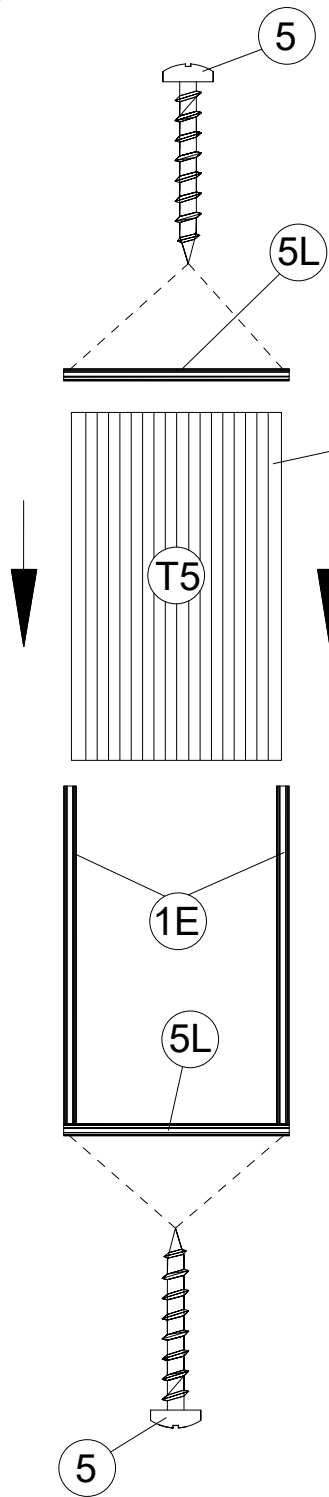
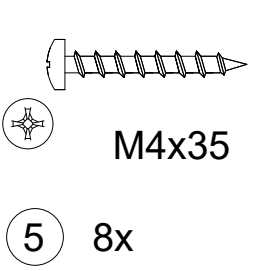
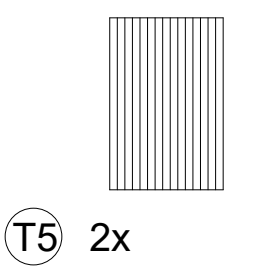
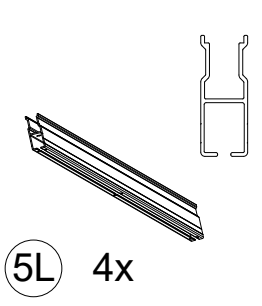
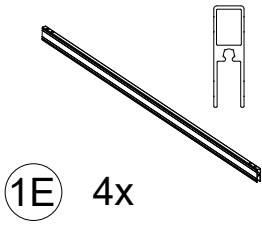
The side of the PC panel with the text facing outward, remove the protective film and install it. After installation, be sure to leave the front side unchanged for the next step.



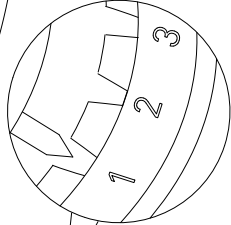
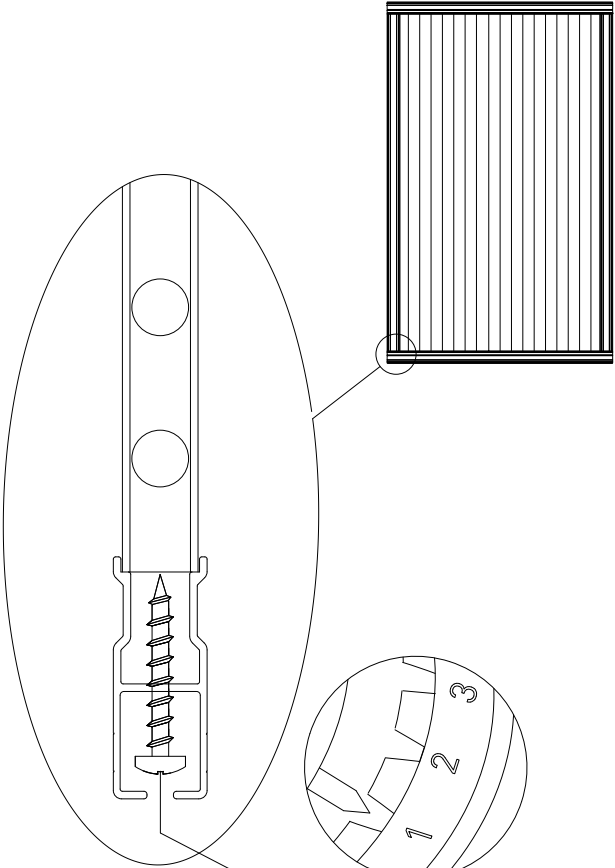
Repeat the previous steps to assemble eight AG components. For easier identification during the subsequent assembly, attach an "AG" label to a clearly visible position on the front side.

<28>

AJ 2x

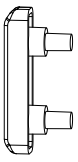


The side of the PC panel with the text facing outward, remove the protective film and install it. After installation, be sure to leave the front side unchanged for the next step.



Select low gear

Repeat the previous steps to assemble eight AJ components. For easier identification during the subsequent assembly, attach an "AJ" label to a clearly visible position on the front side.



<29>

AF 4x

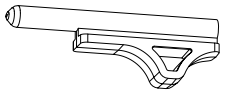
AG 2x

AJ 2x

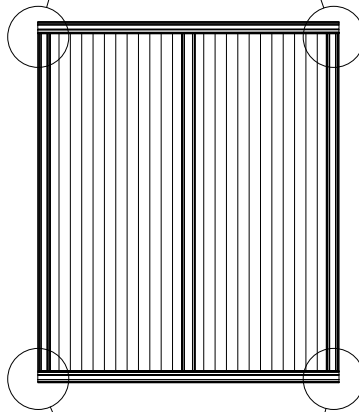
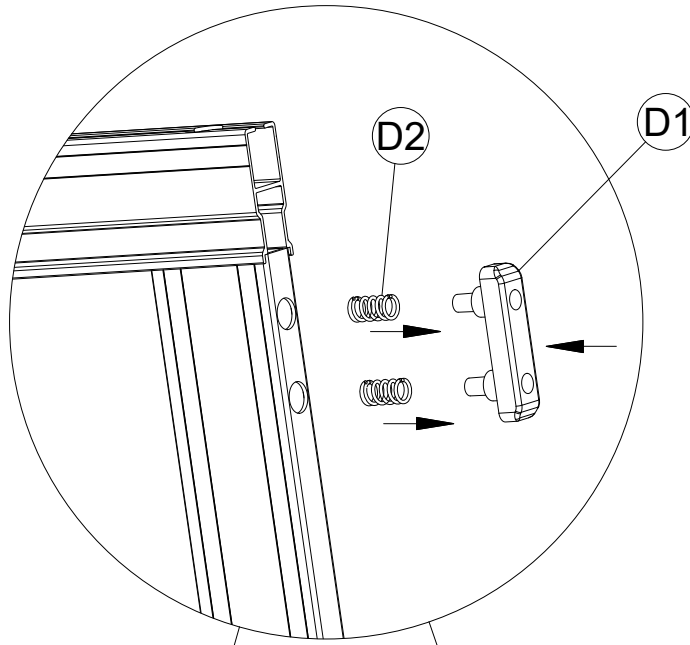
D1 32x



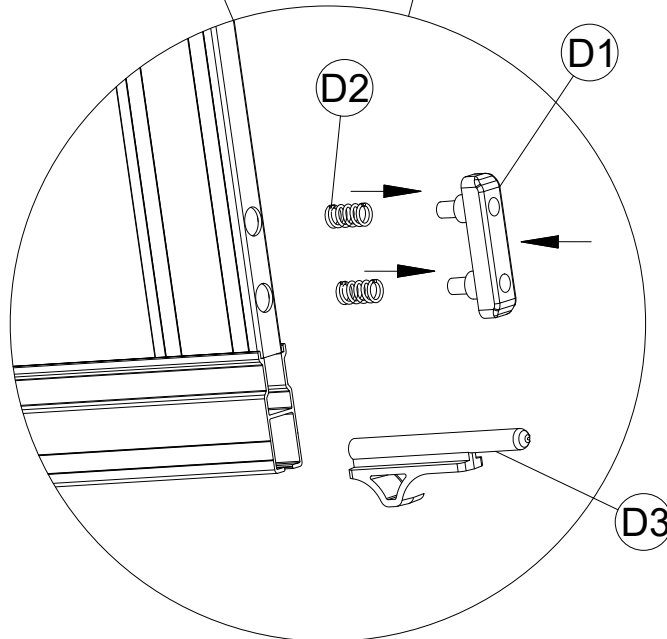
D2 64x



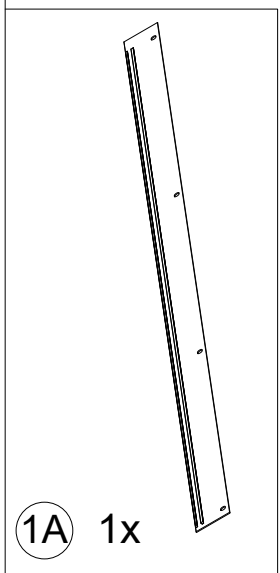
D3 16x

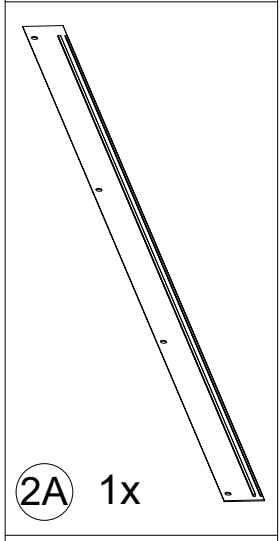


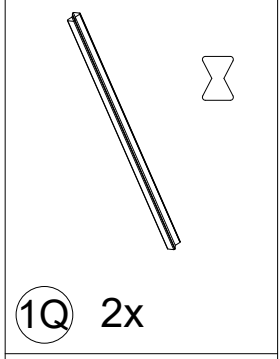
It is recommended that this step be assembled along with the next step.

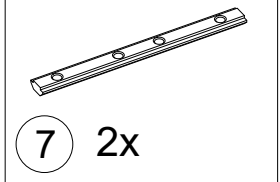


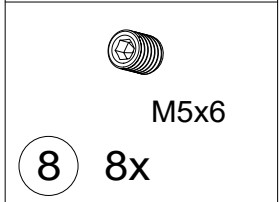
<30>

- 

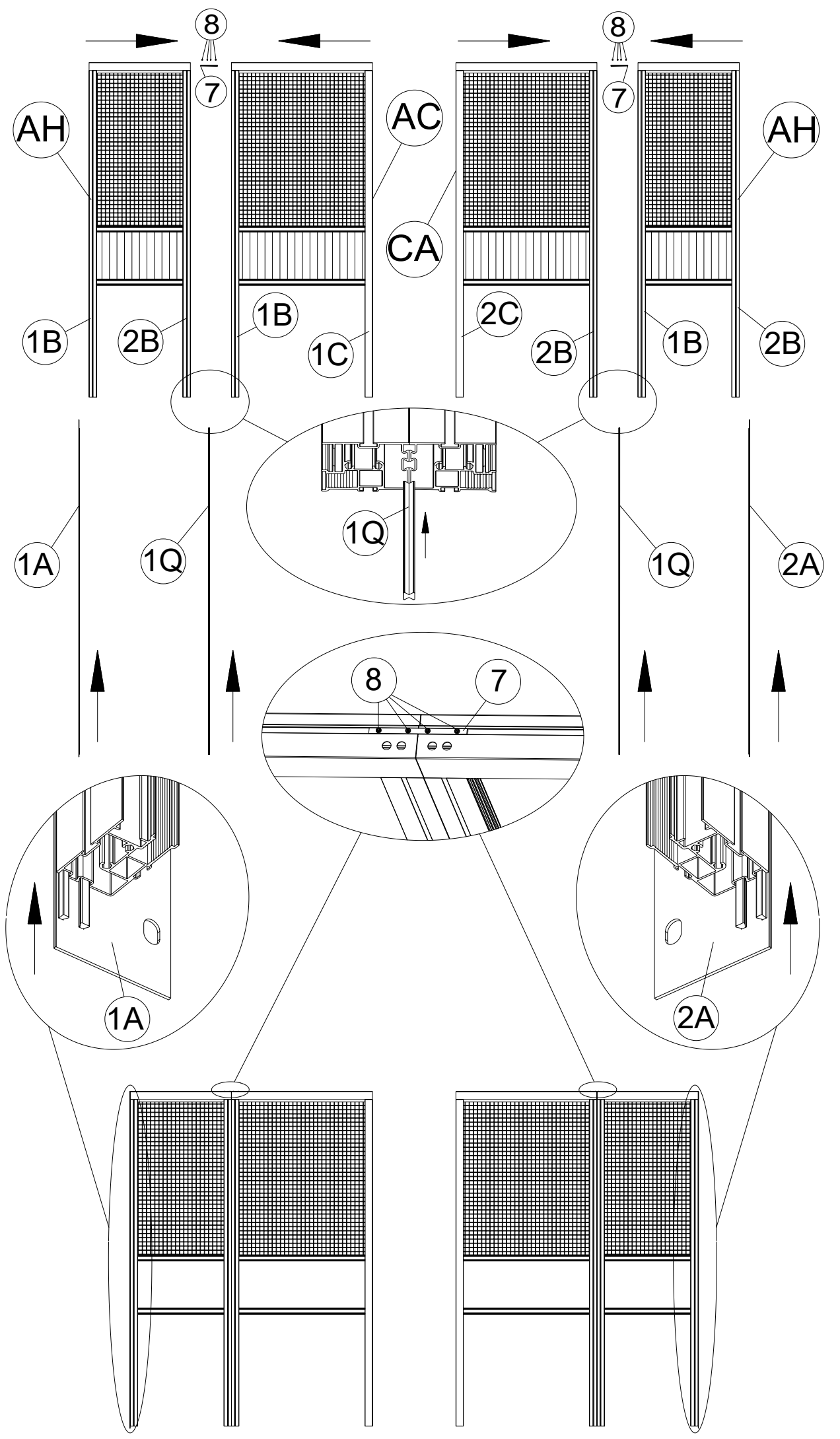
1A 1x
- 

2A 1x
- 

1Q 2x
- 

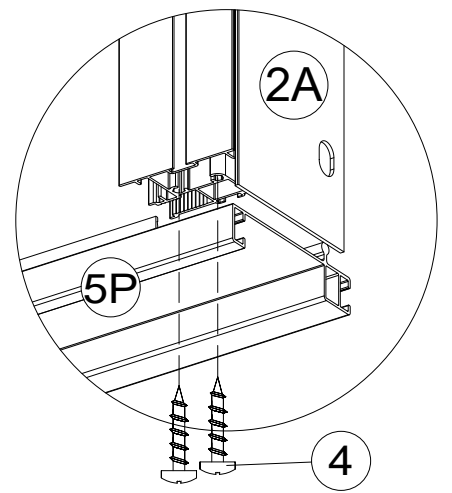
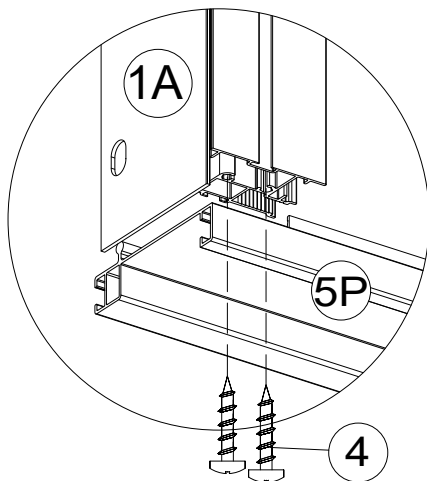
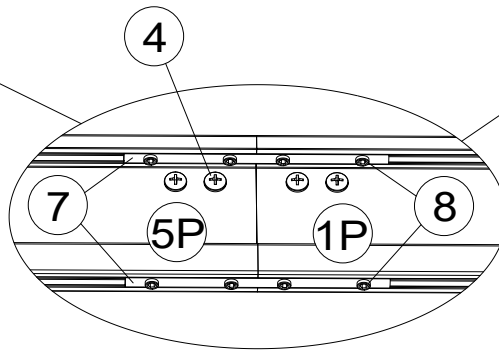
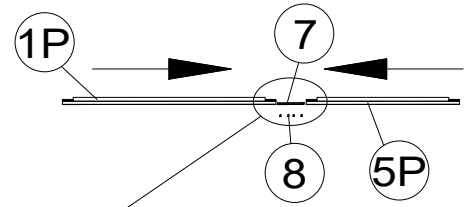
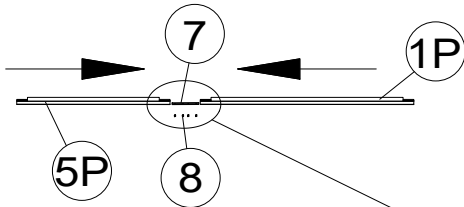
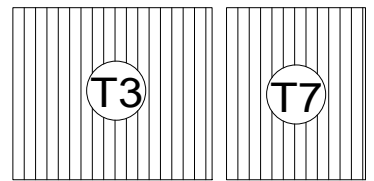
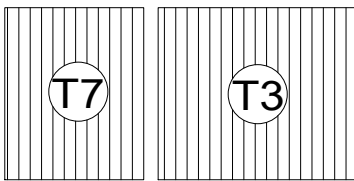
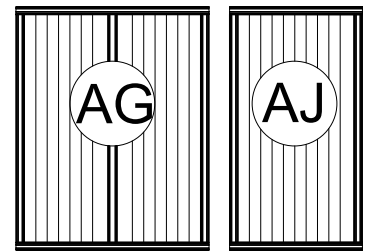
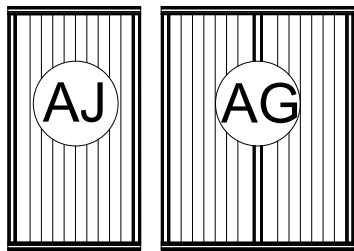
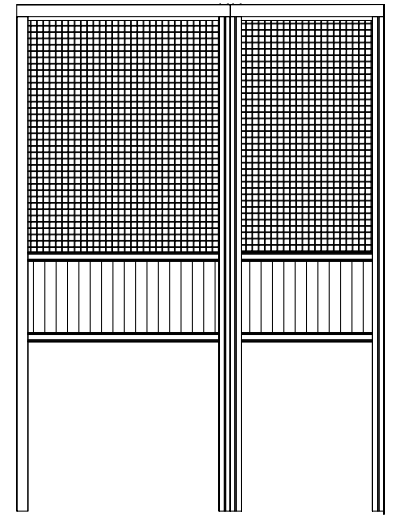
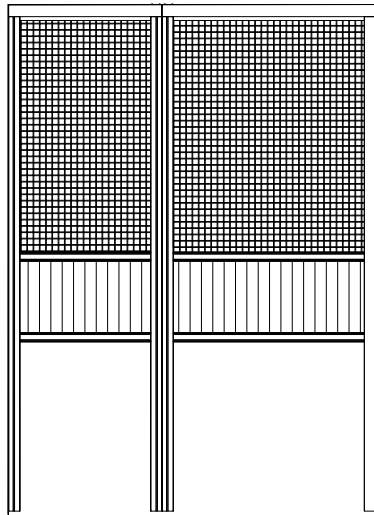
7 2x
- 

M5x6
8 8x
- 41



<31>

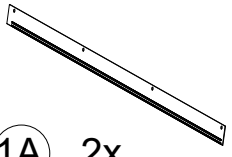
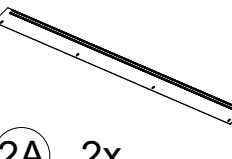
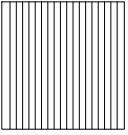
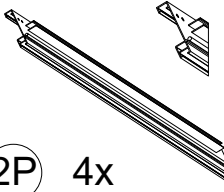
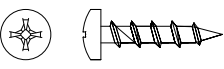

- 7 4x
- 8 16x M5x6
- T7 2x
- T3 2x
- 1P 2x
- 5P 2x
- 4 16x M4x20

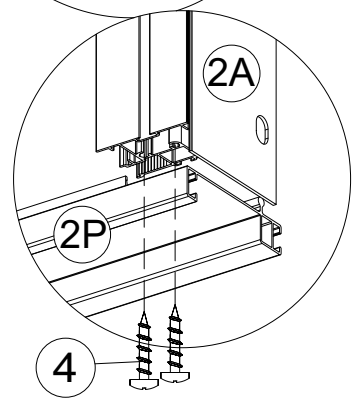
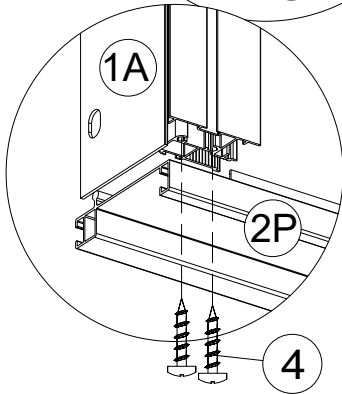
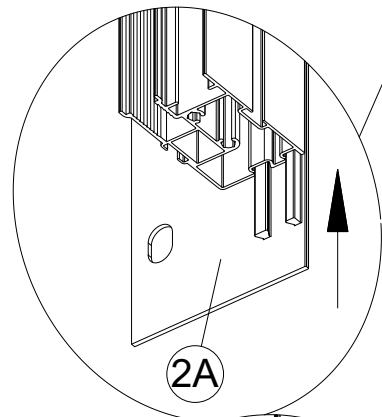
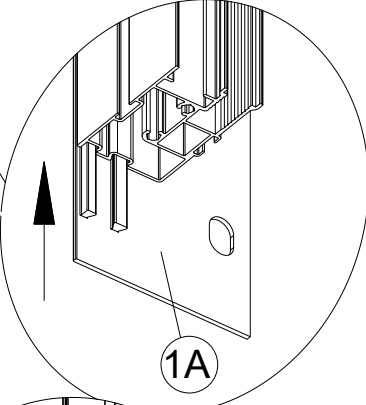
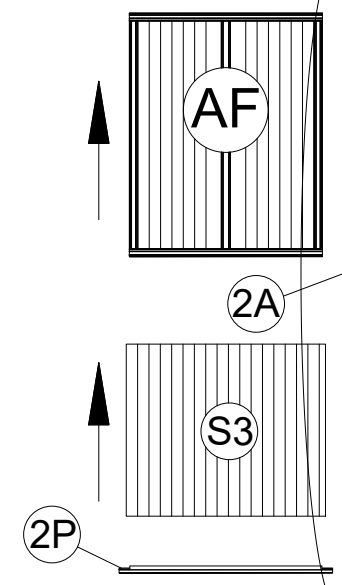
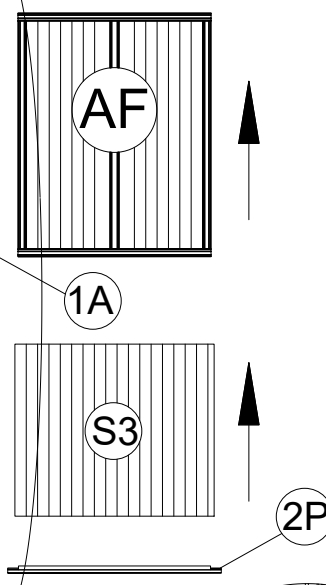
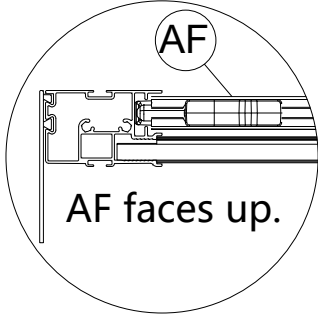
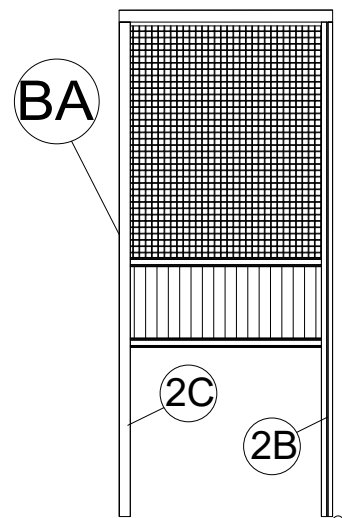
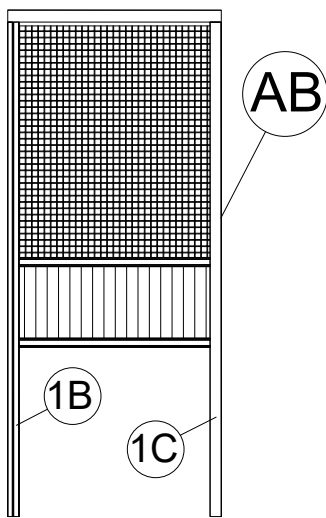


<32>

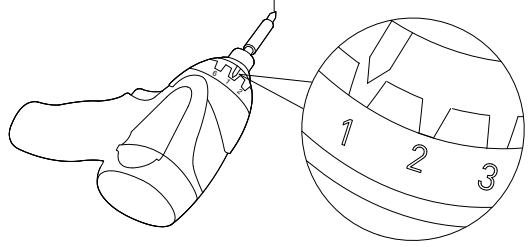
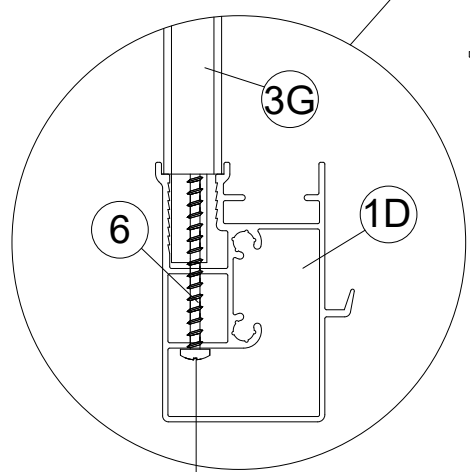
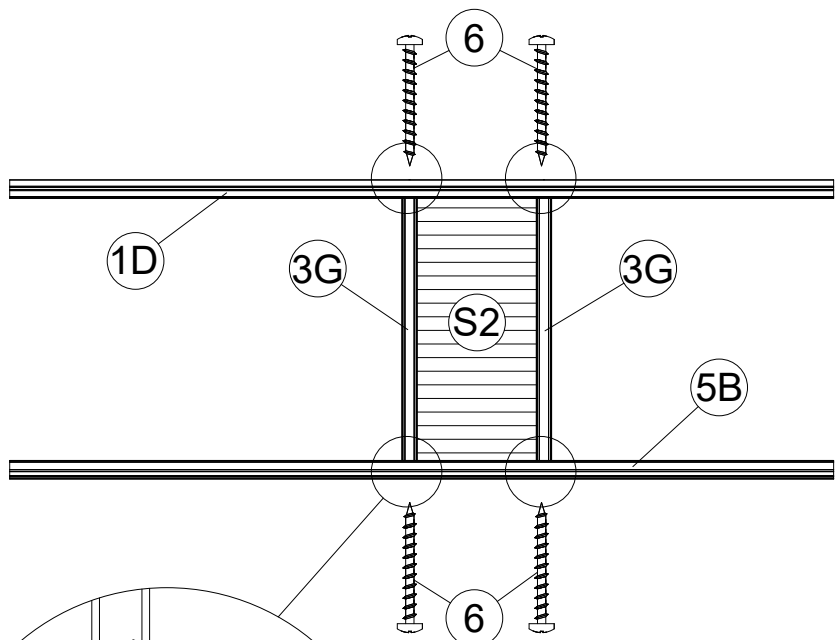
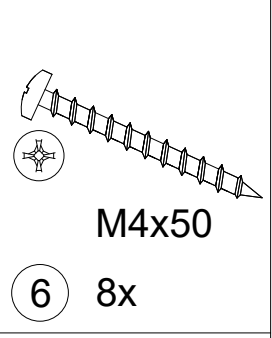
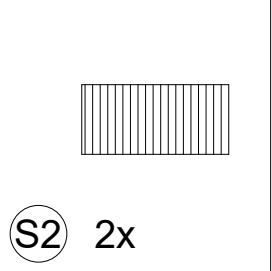
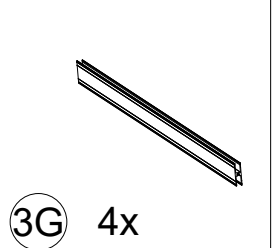
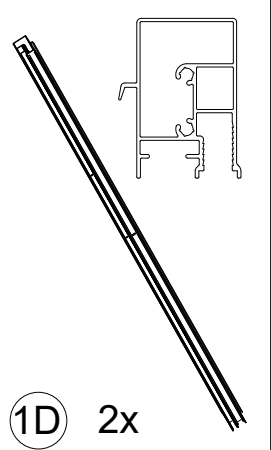
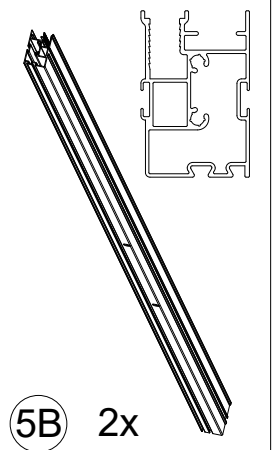
AB 2x

BA 2x

-  1A 2x
-  2A 2x
-  S3 4x
-  2P 4x
-  M4x20
-  4 16x

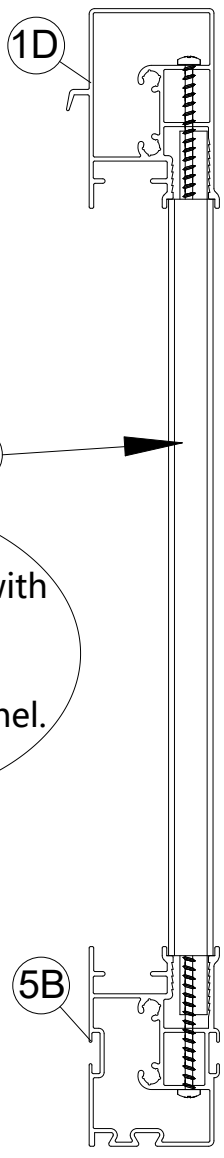


<33>



Select the low gear.

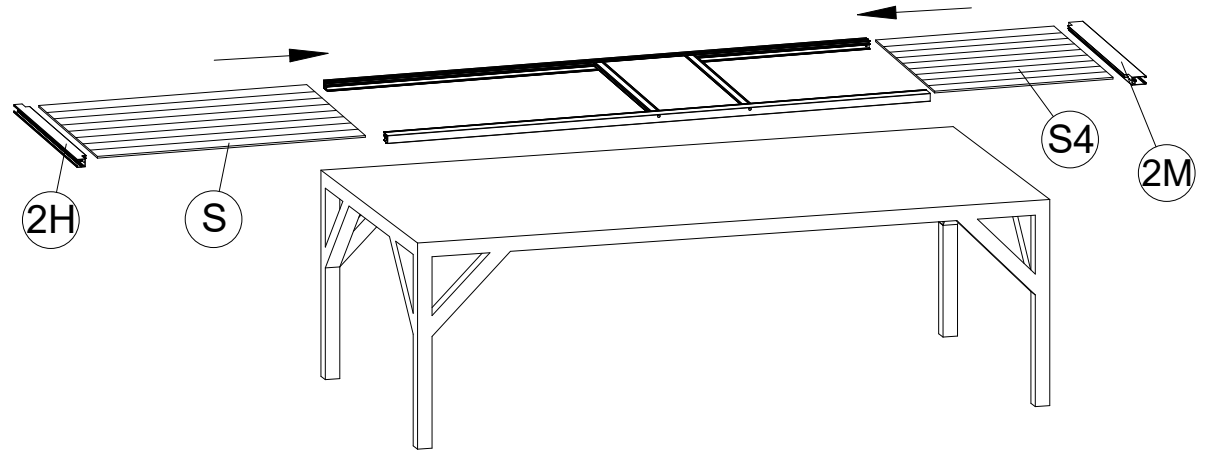
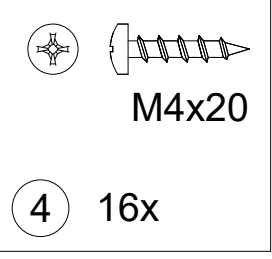
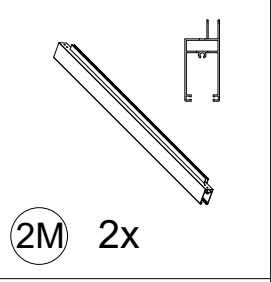
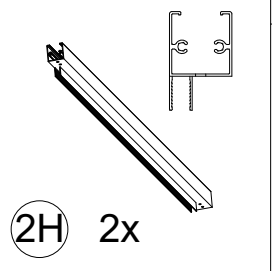
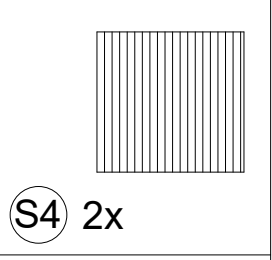
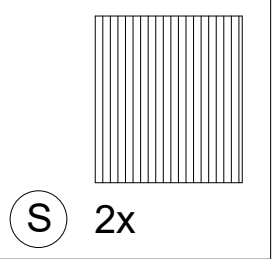
The side of PC Panel with text facing outwards, remove the protective film and install the panel.



The door frame installation template is shown on pages 44 to 46. All subsequent door frames should follow this template.

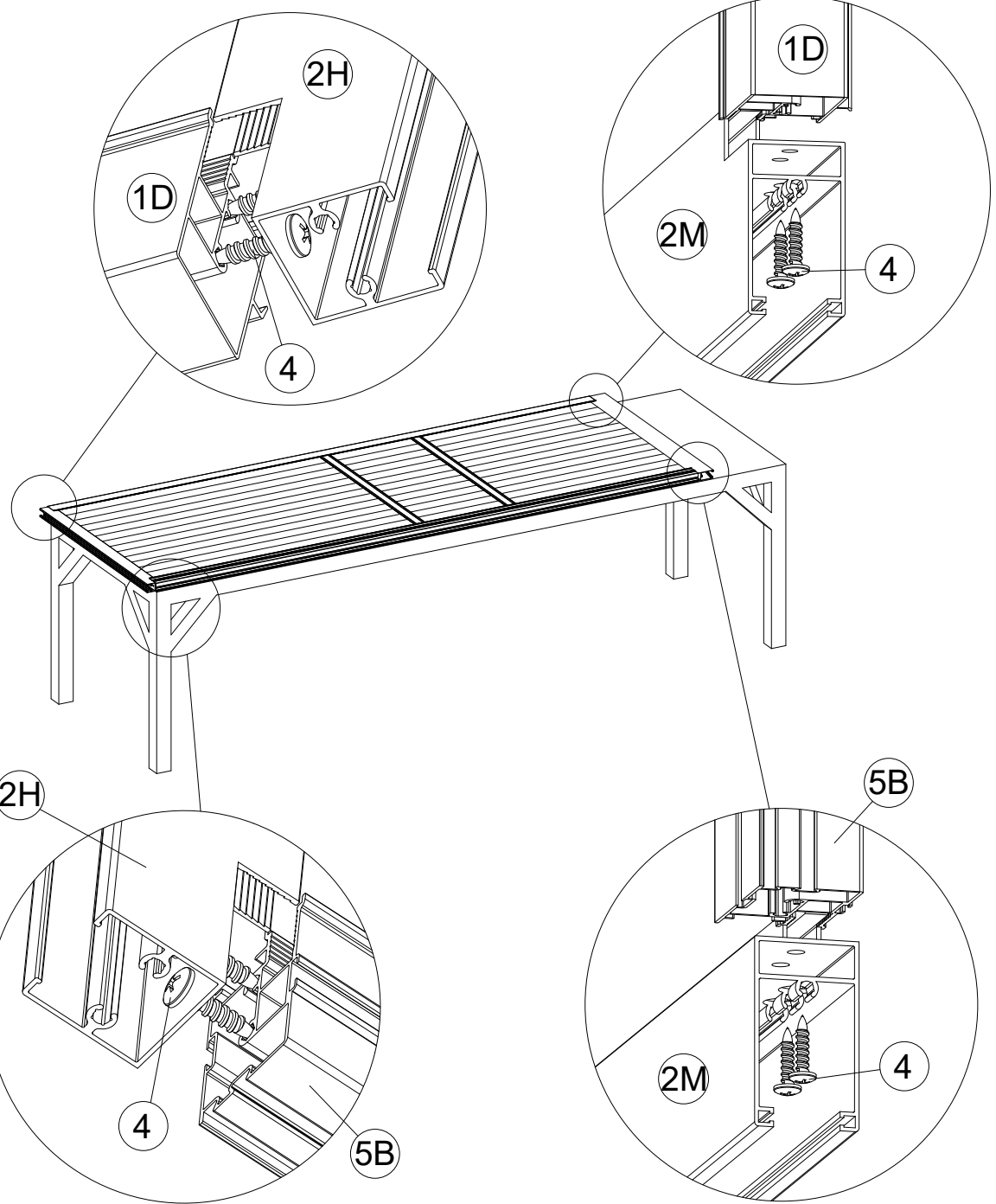
<34>

AD 2x



This diagram is for subsequent reference.

General diagram of AD, DA, AE, and EA components.



<35>

Install door frame DA,
AE, EA according to
the installation on
pages 44 to 46.

2H 2x

2M 2x

S 2x

S2 2x

S4 2x

3G 4x

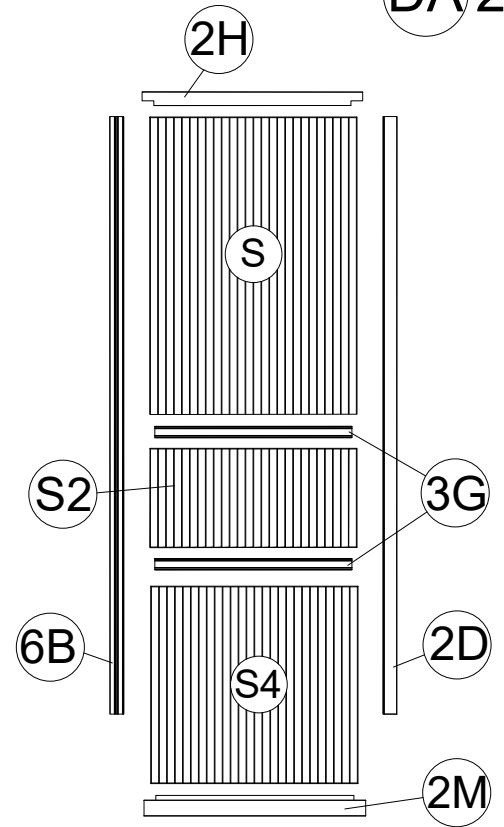
6B 2x

2D 2x

6 8x

4 16x

DA 2x



1H 1x

1M 1x

T 1x

T2 1x

T4 1x

2G 2x

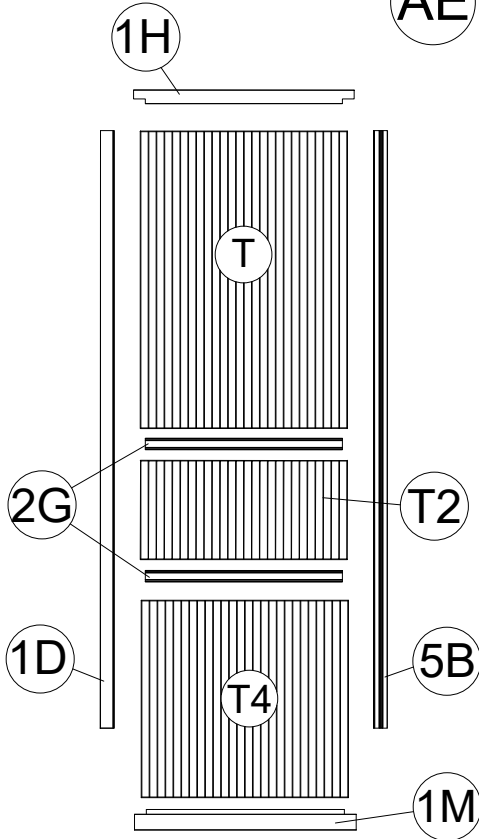
5B 1x

1D 1x

6 4x

4 8x

AE 1x



1H 1x

1M 1x

T 1x

T2 1x

T4 1x

2G 2x

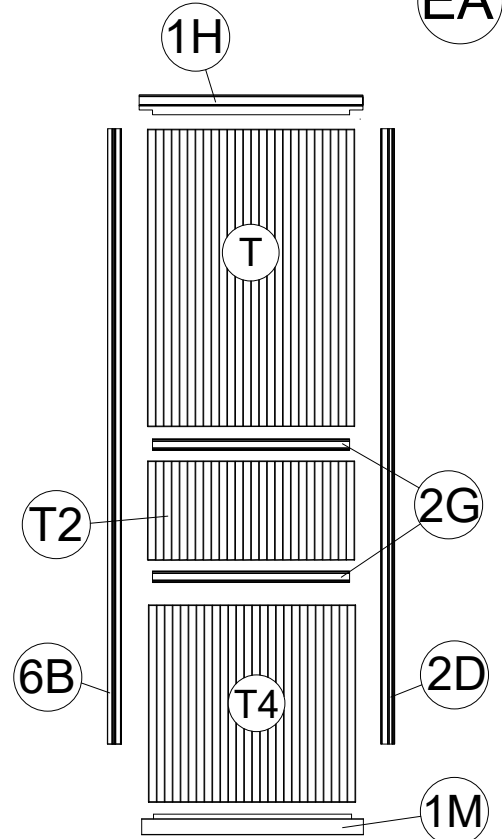
6B 1x

2D 1x

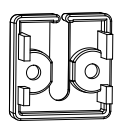
6 4x

4 8x

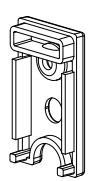
EA 1x



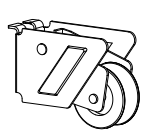
<36>



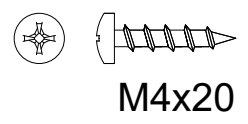
D5 4x



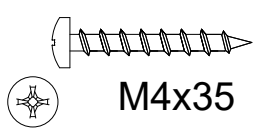
D4 4x



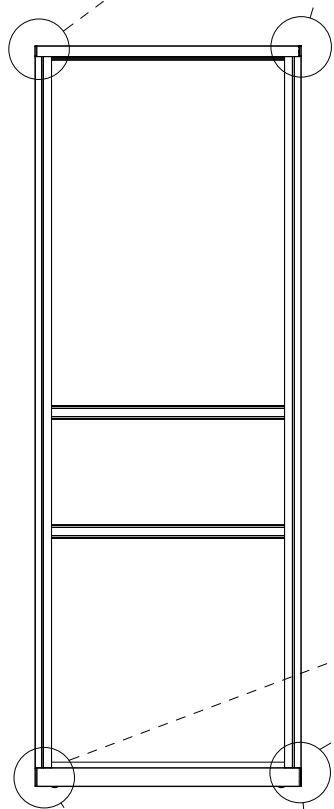
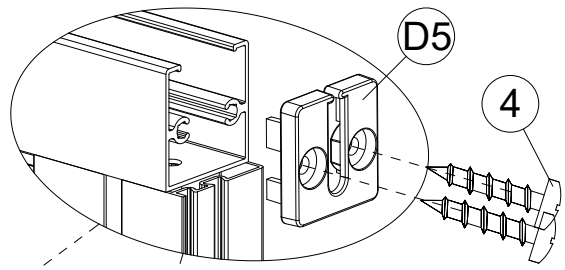
4-1 4x



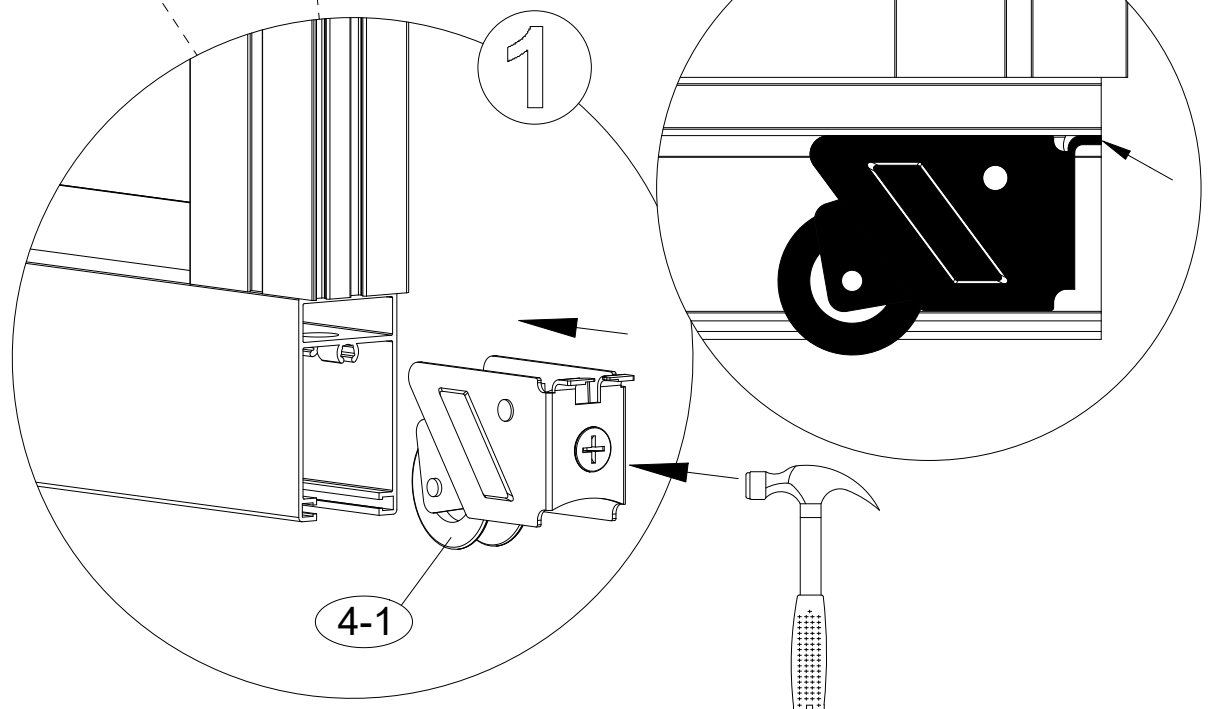
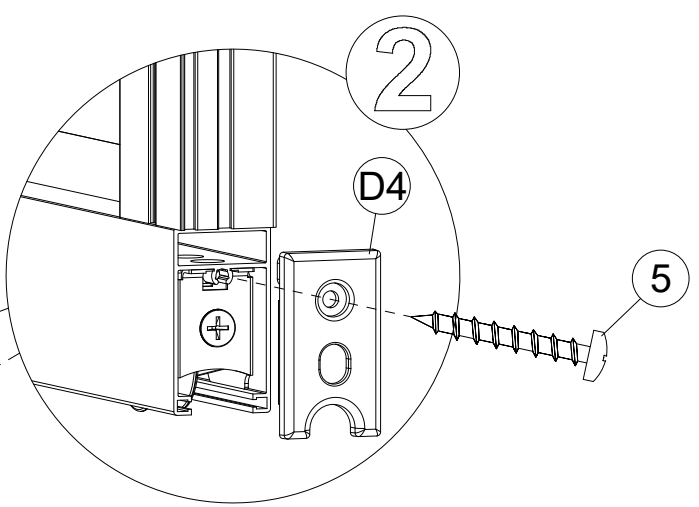
4 8x



5 4x



The door frame installation template is shown on pages 47 to 48. All subsequent door frames should follow this template.



Tap gently so that the pulley is flush with the profile.

<37>

Install door frame DA, AE, EA according to the installation on pages 47 to 48.

D4 4x

D5 4x

4-1 4x

4 8x

5 4x

D5

DA 2x

D4

4-1

D5

EA x1

D4

4-1

D4 2x

D5 2x

4-1 2x

4 4x

5 2x

AE x1

D4 2x

D5 2x

4-1 2x

4 4x

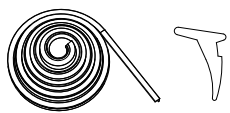
5 2x

D5

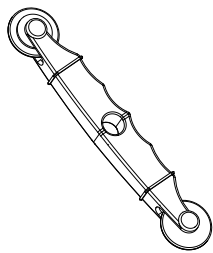
D4

4-1

Component AD is symmetric to DA, AE is symmetric to EA.



5-1 2x

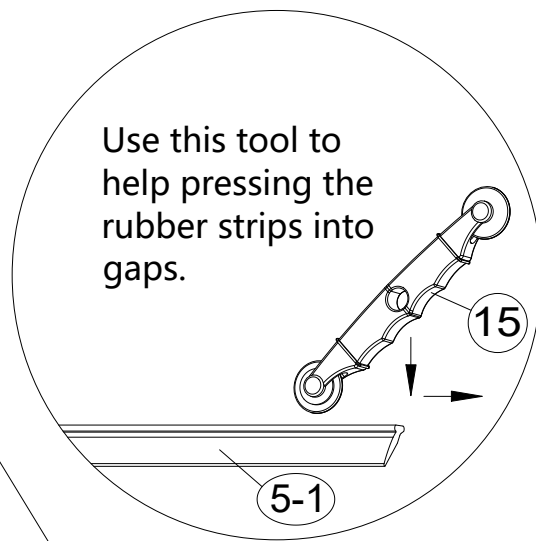
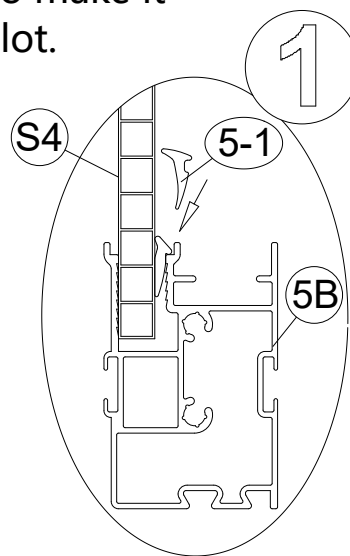
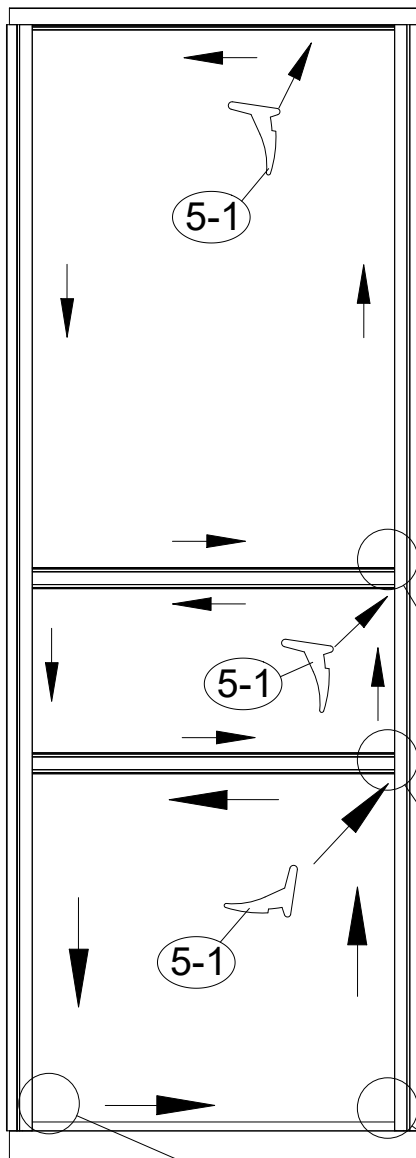


15 1x

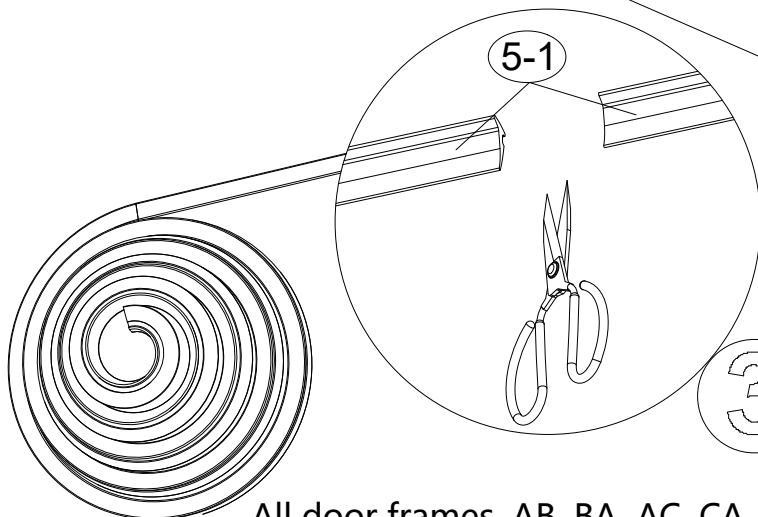
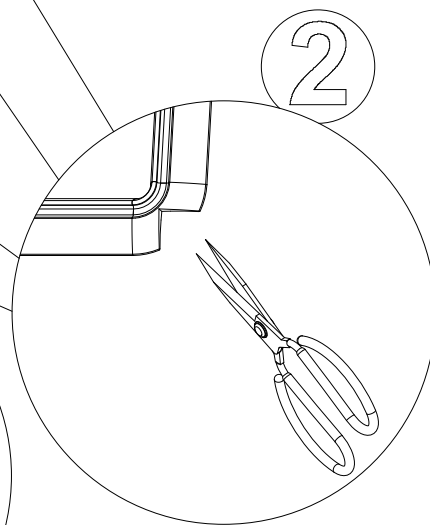
<38>

Before installation, wet the rubber strips "5-1" with water to make it easier to stick into the slot.

AD 2x

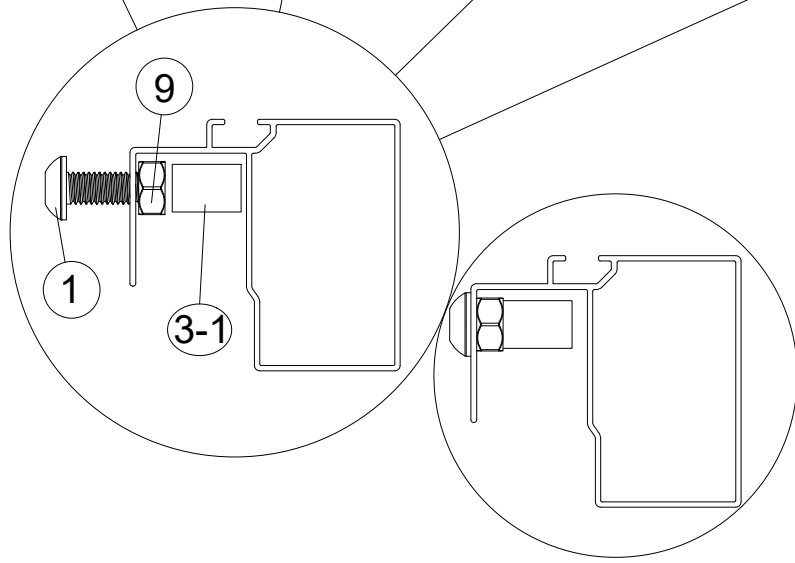
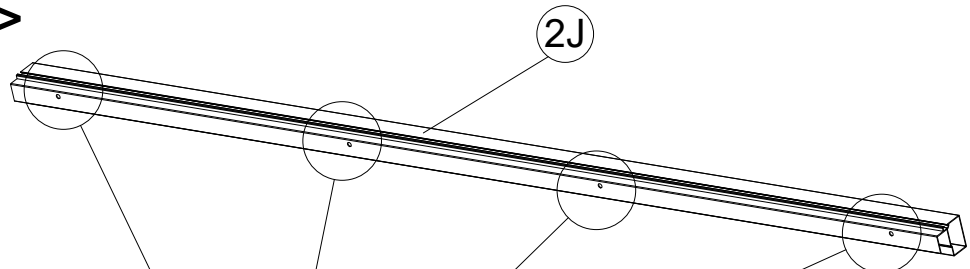
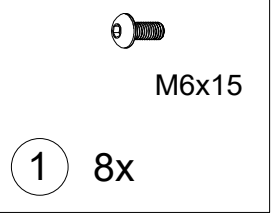
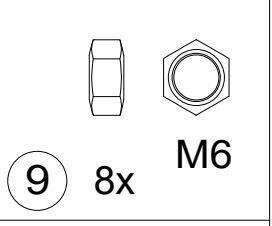
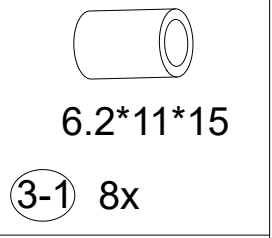
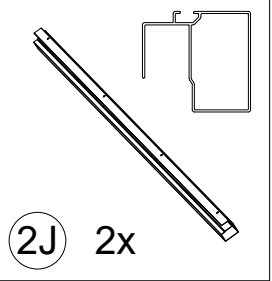


Use this tool to help pressing the rubber strips into gaps.

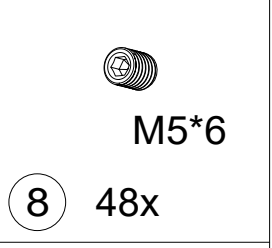
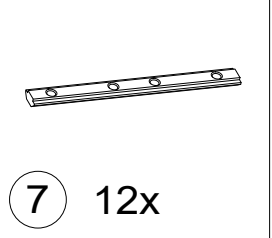
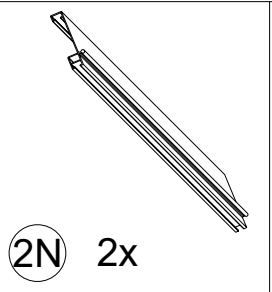


<39>

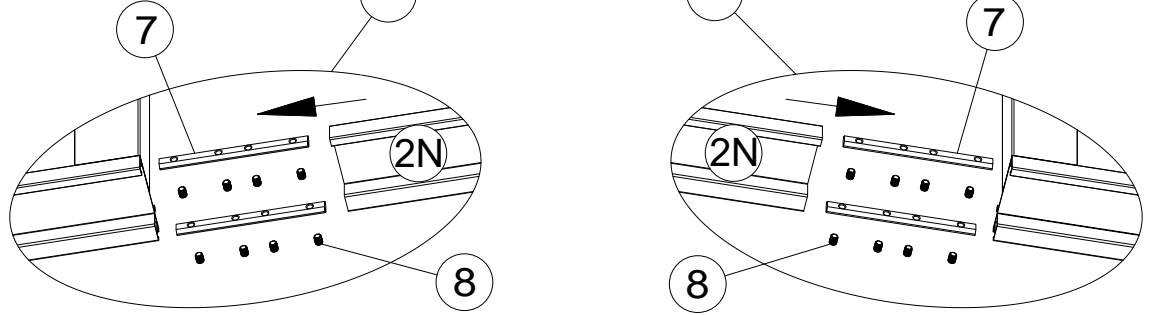
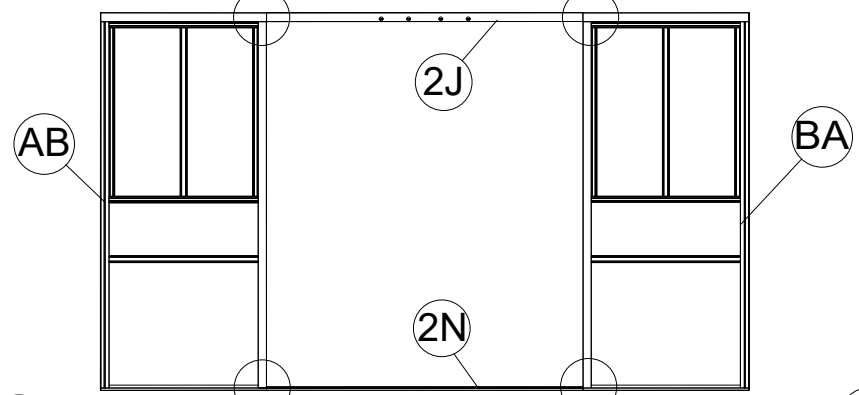
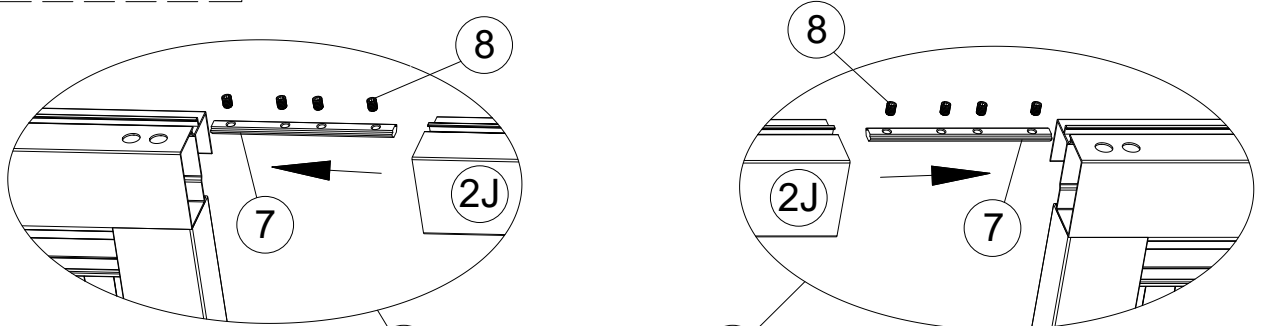
x2



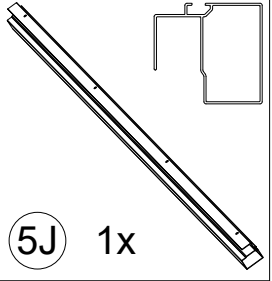
x2



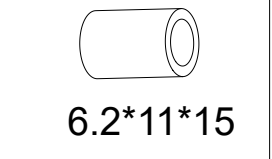
50



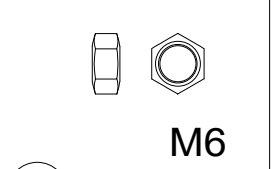
<40>



5J 1x

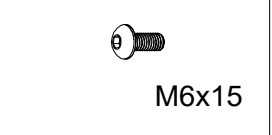


3-1 4x



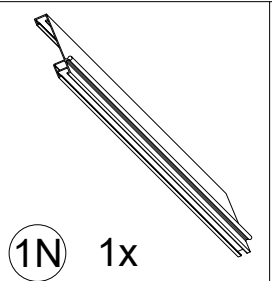
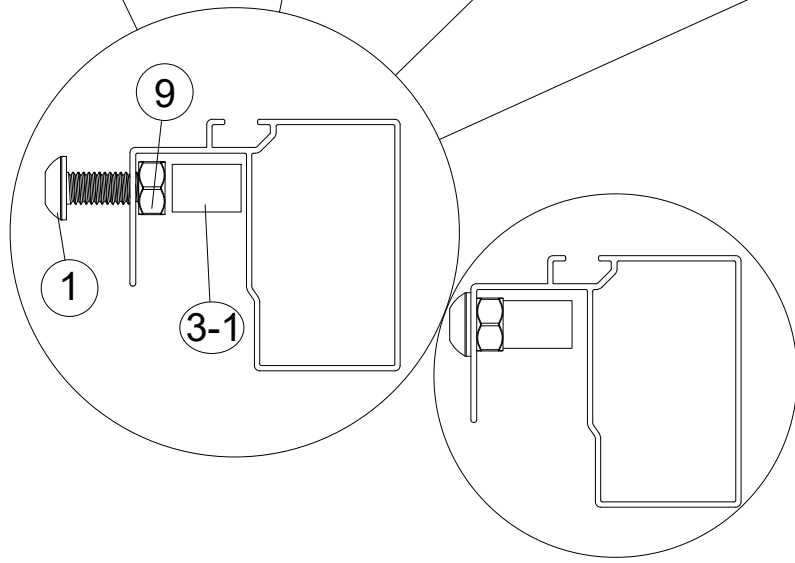
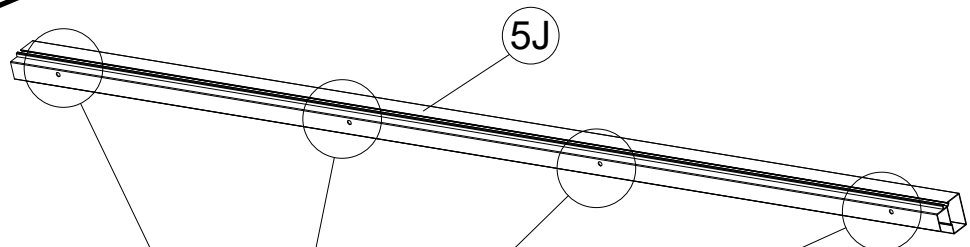
9 4x

M6

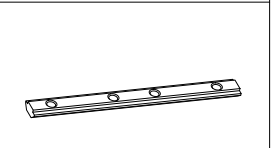


1 4x

M6x15



1N 1x

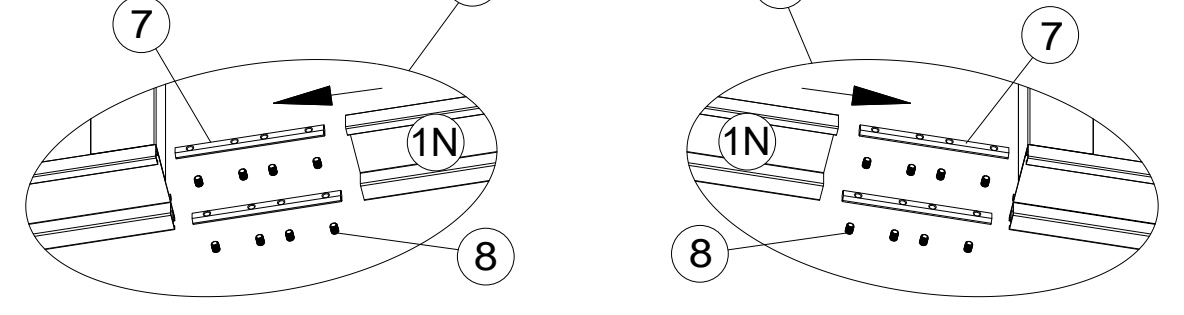
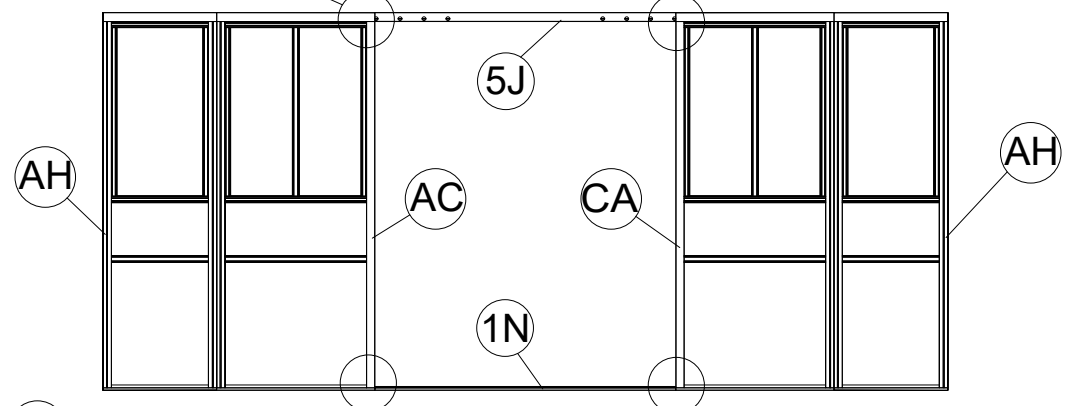
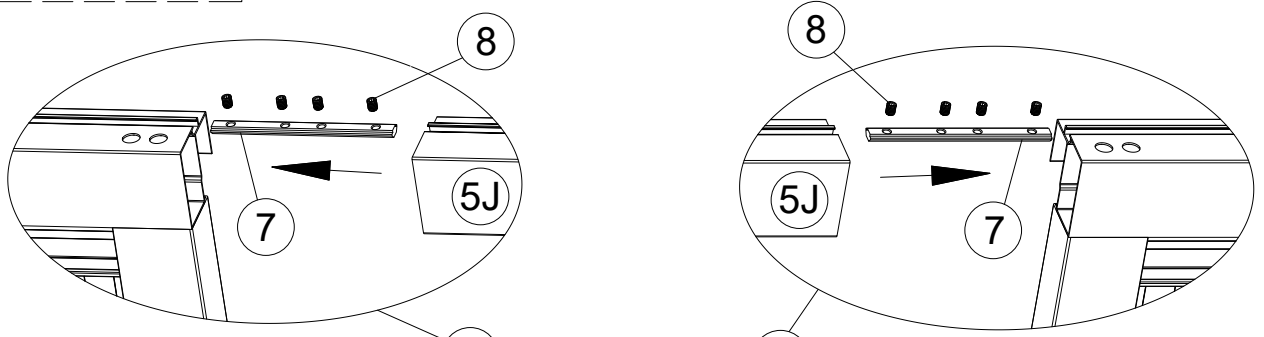


7 6x



8 24x

M5*6



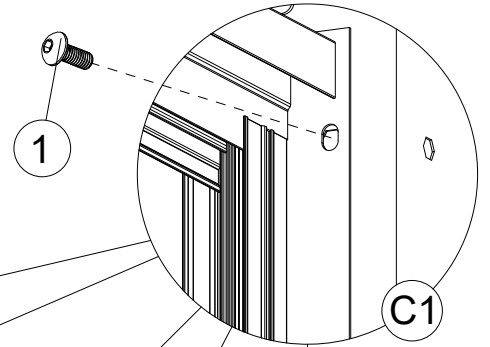
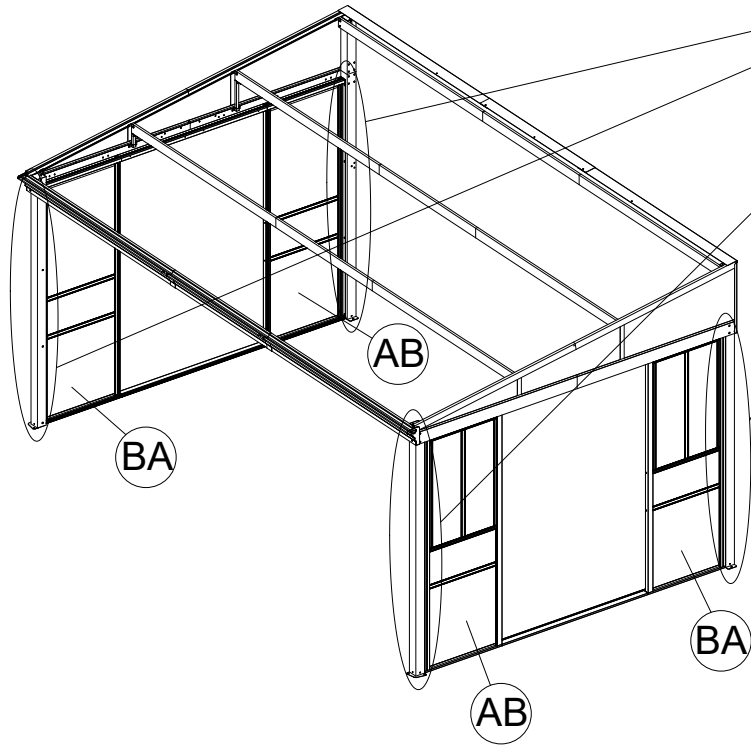
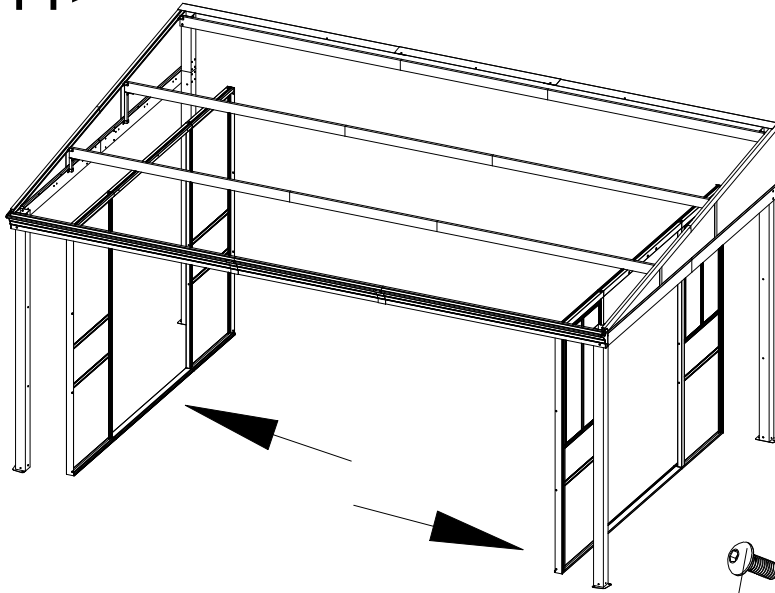
51



M6x15

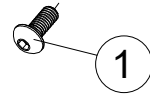
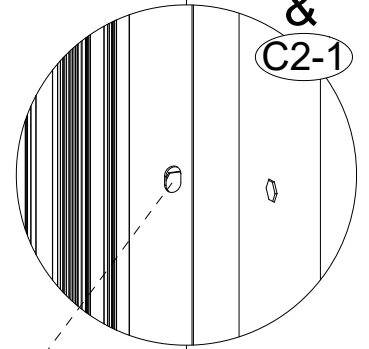
1 16x

<41>

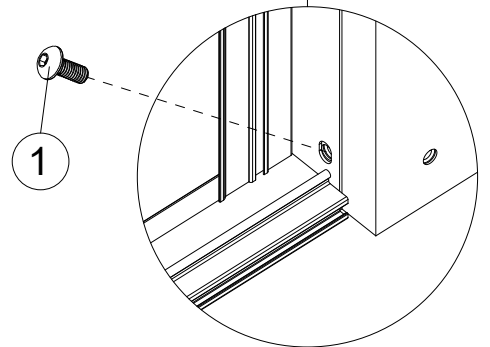


1

C1
&
C1-1
&
C2
&
C2-1



1



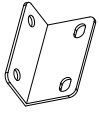
1

<42>



M6x15

1 24x



Q2 12x



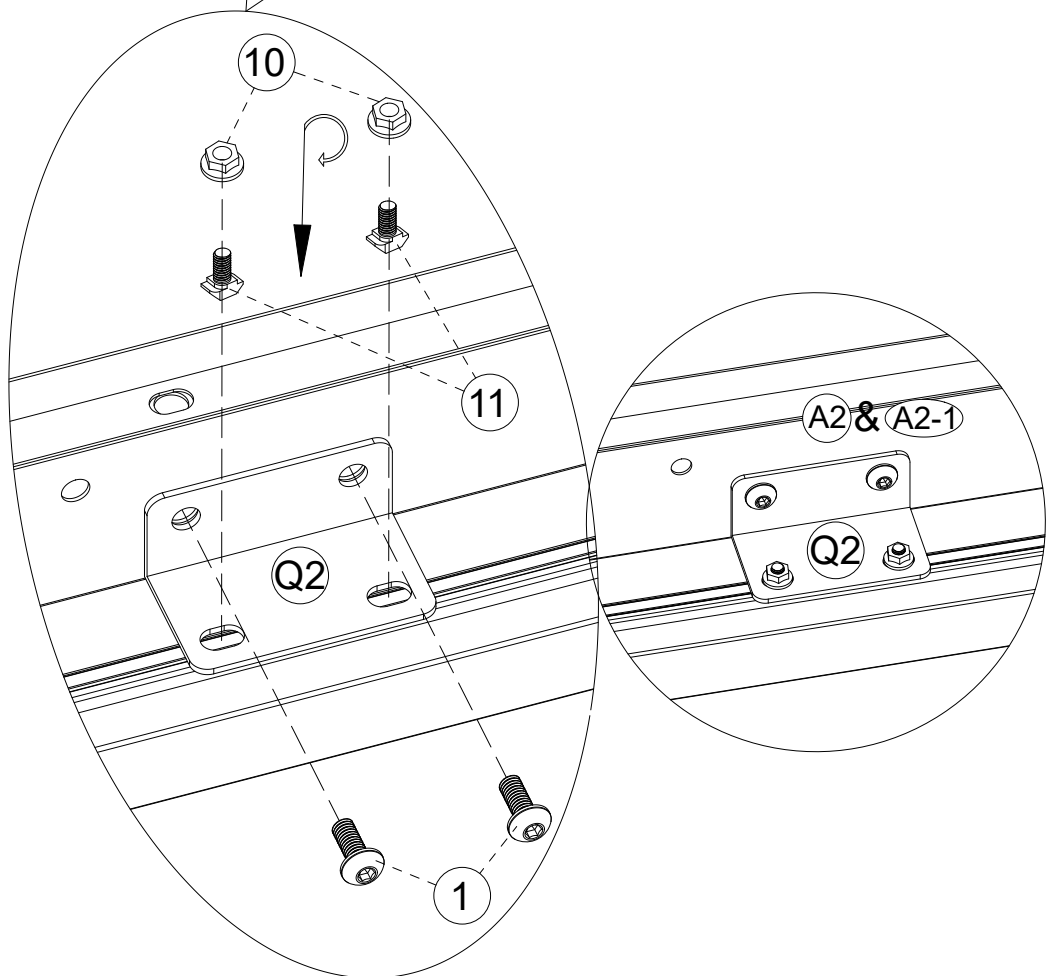
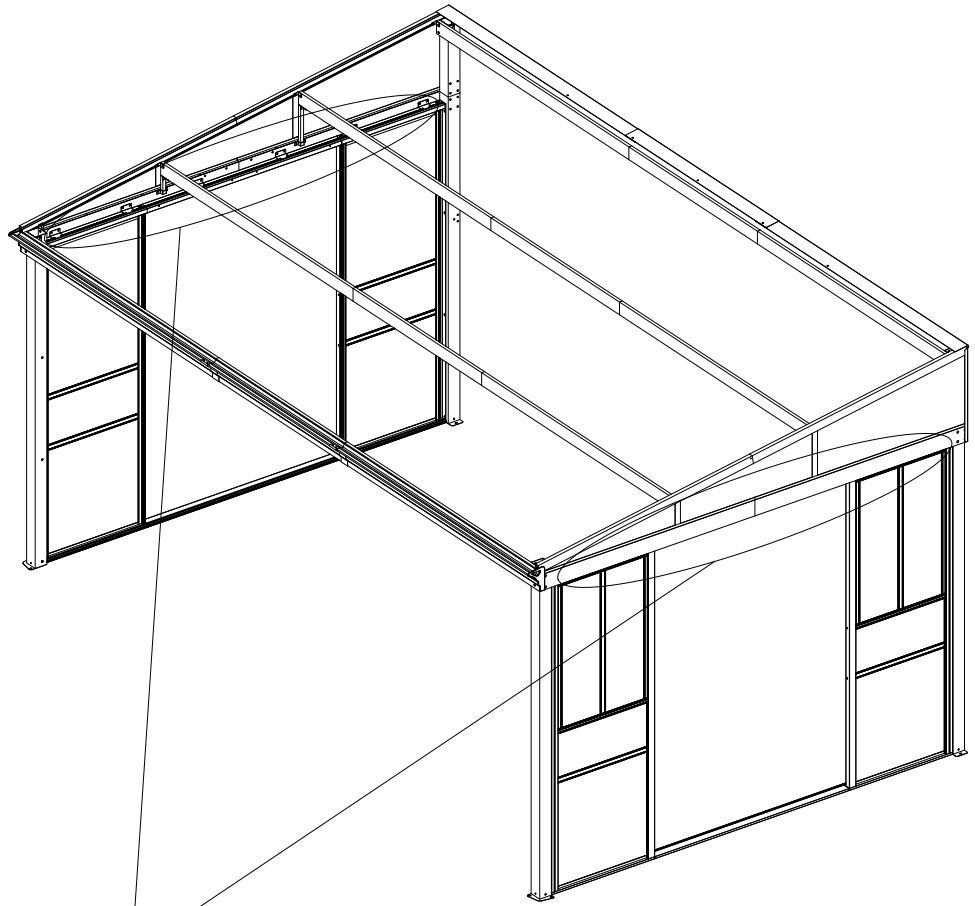
M5

10 24x



M5*12

11 24x

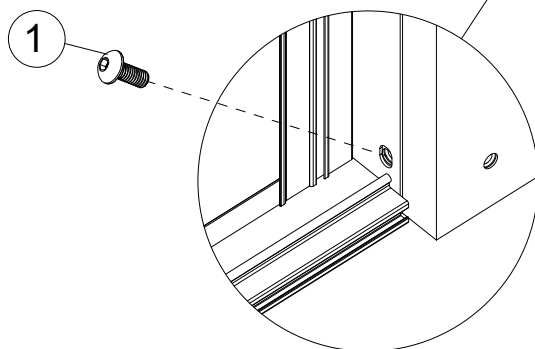
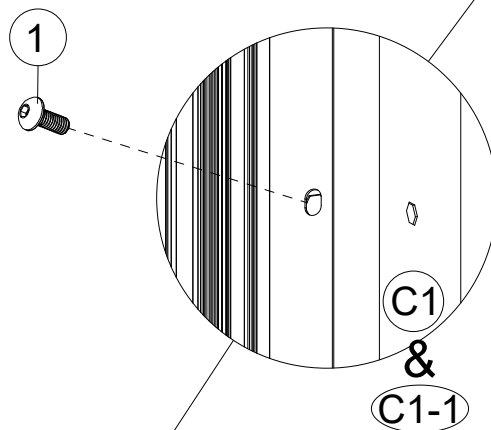
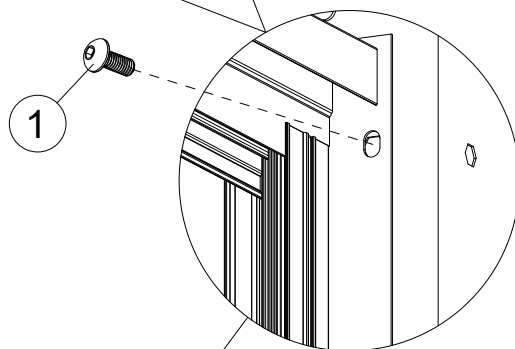
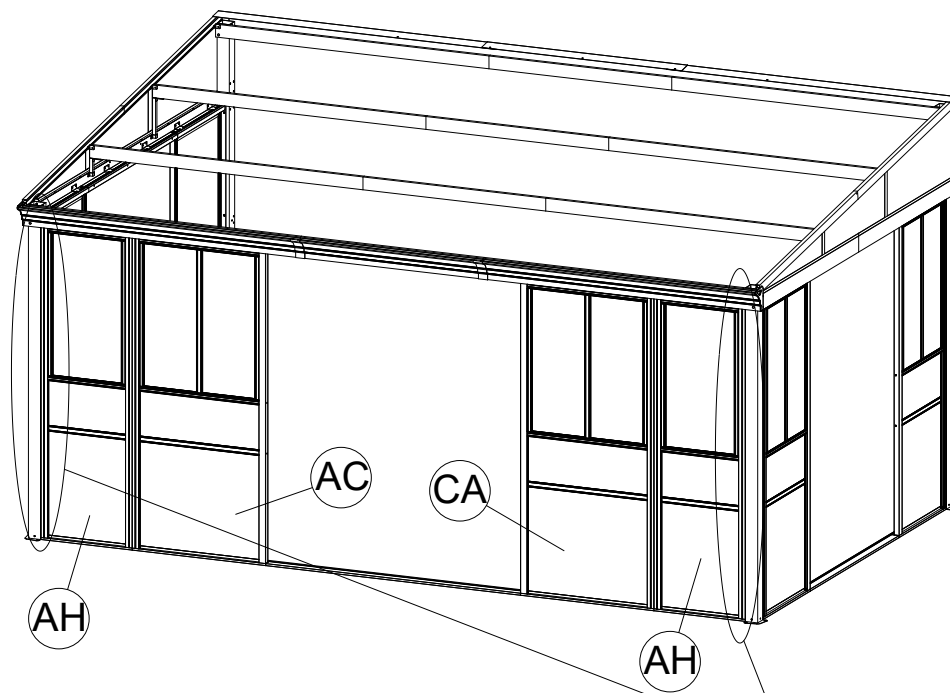




M6x15

<43>

1 8x

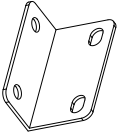


<44>



M6x15

1 16x

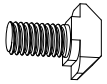


Q2 8x



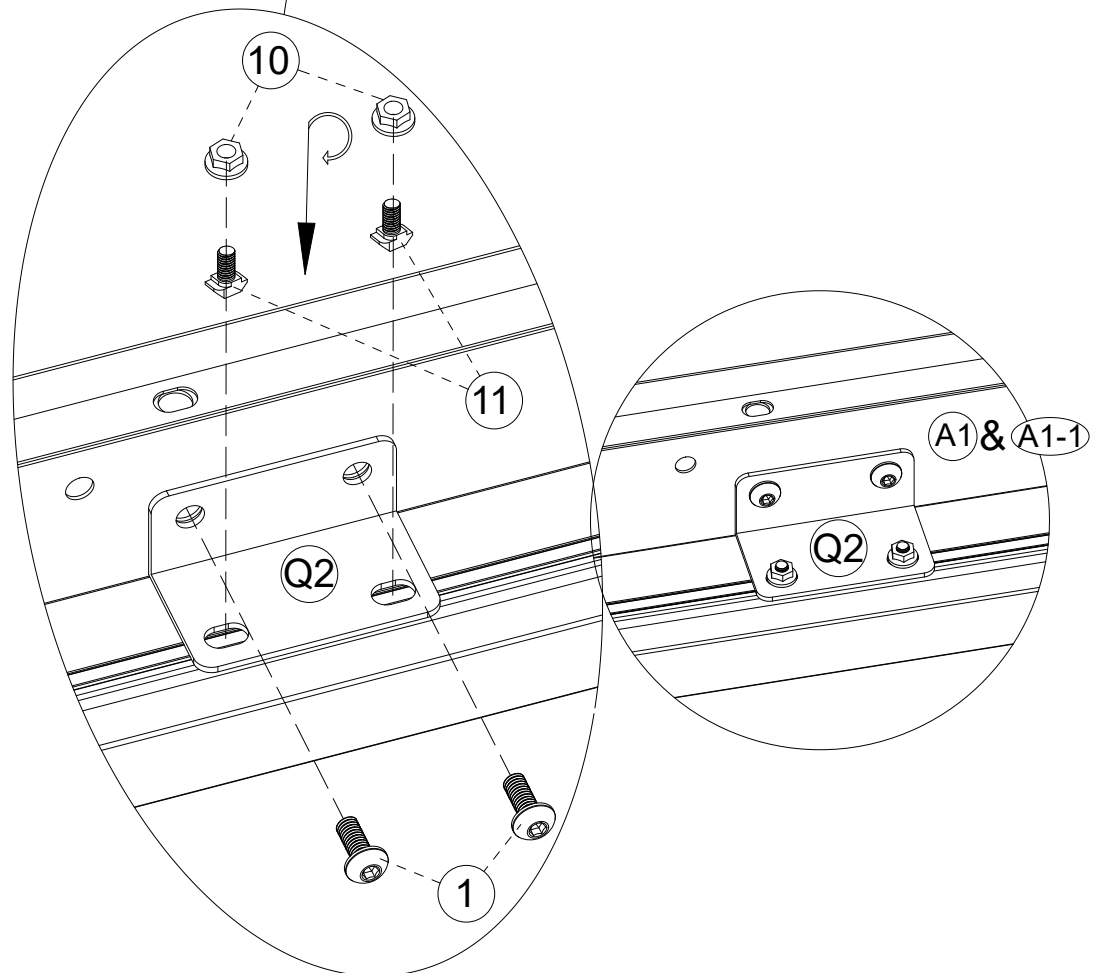
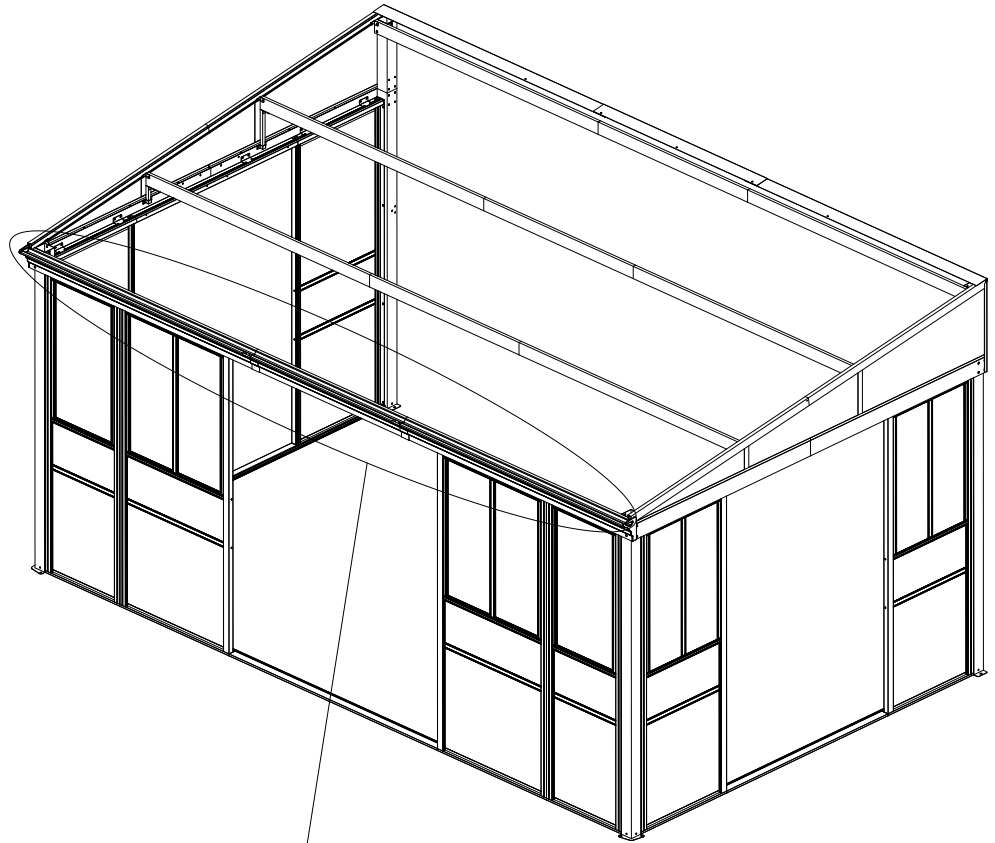
M5

10 16x

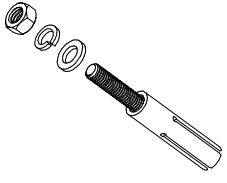


M5*12

11 16x

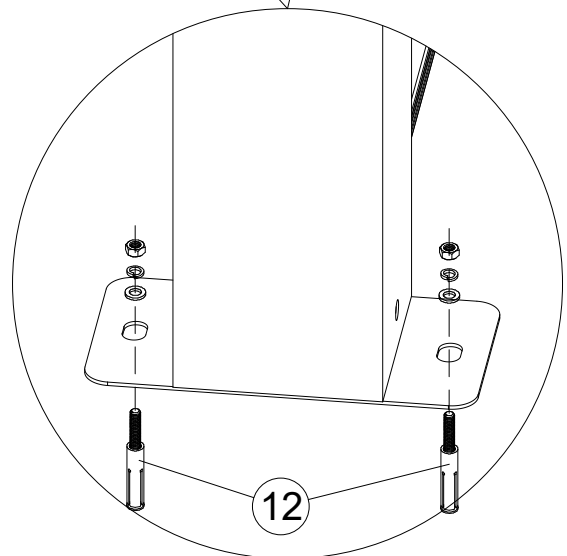
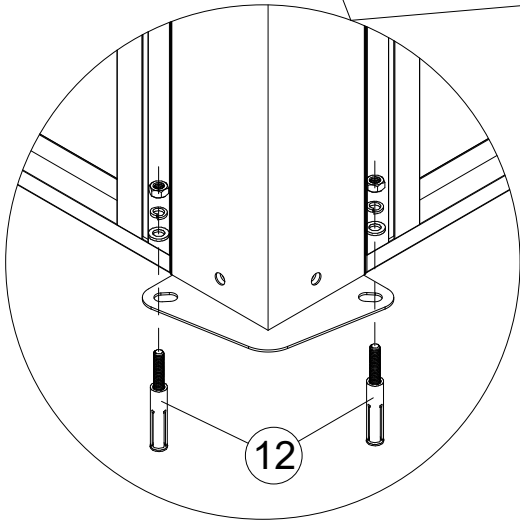
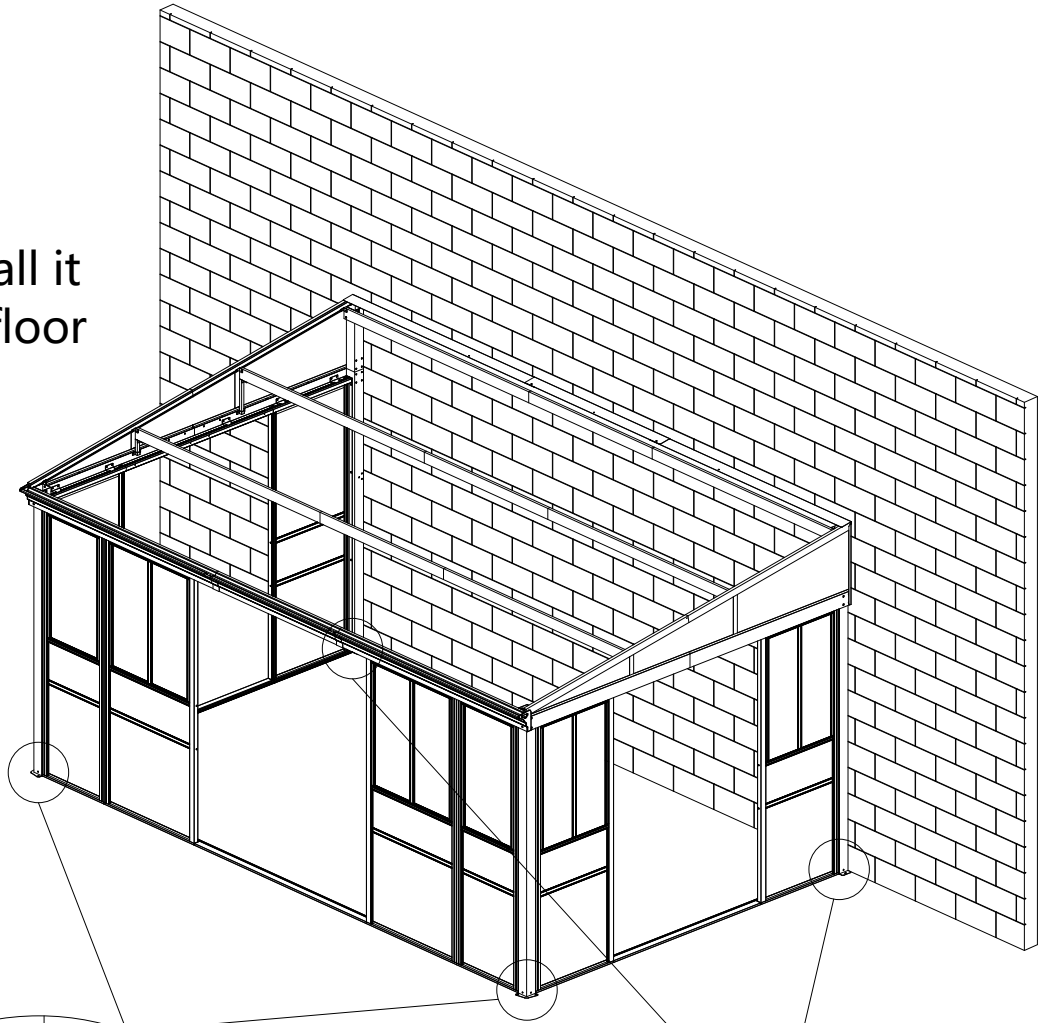


<45>

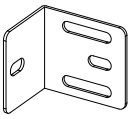


12 8x

Please install it
on a level floor



<46>

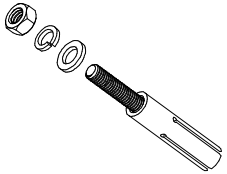


Q3 2x

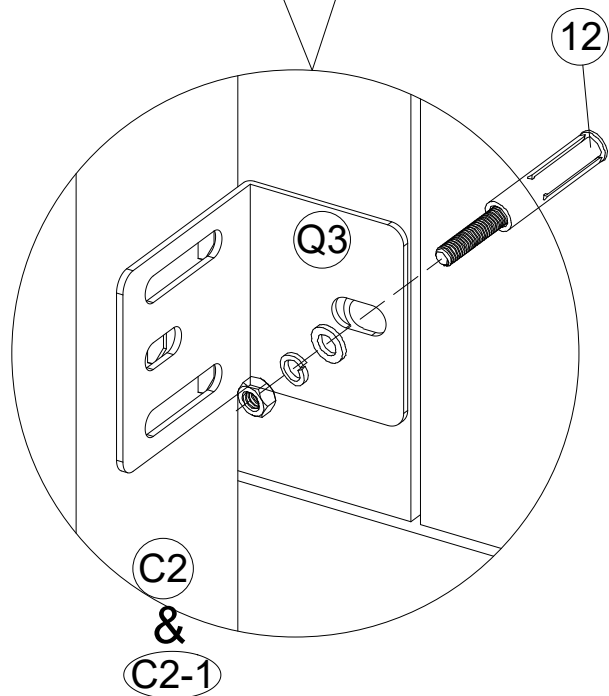
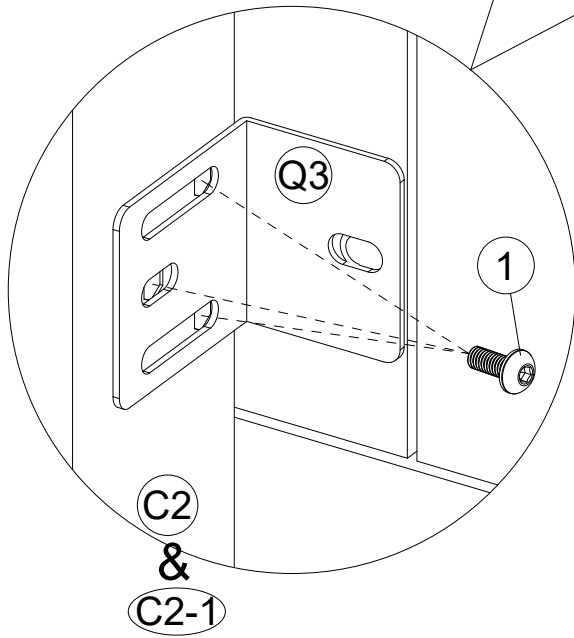
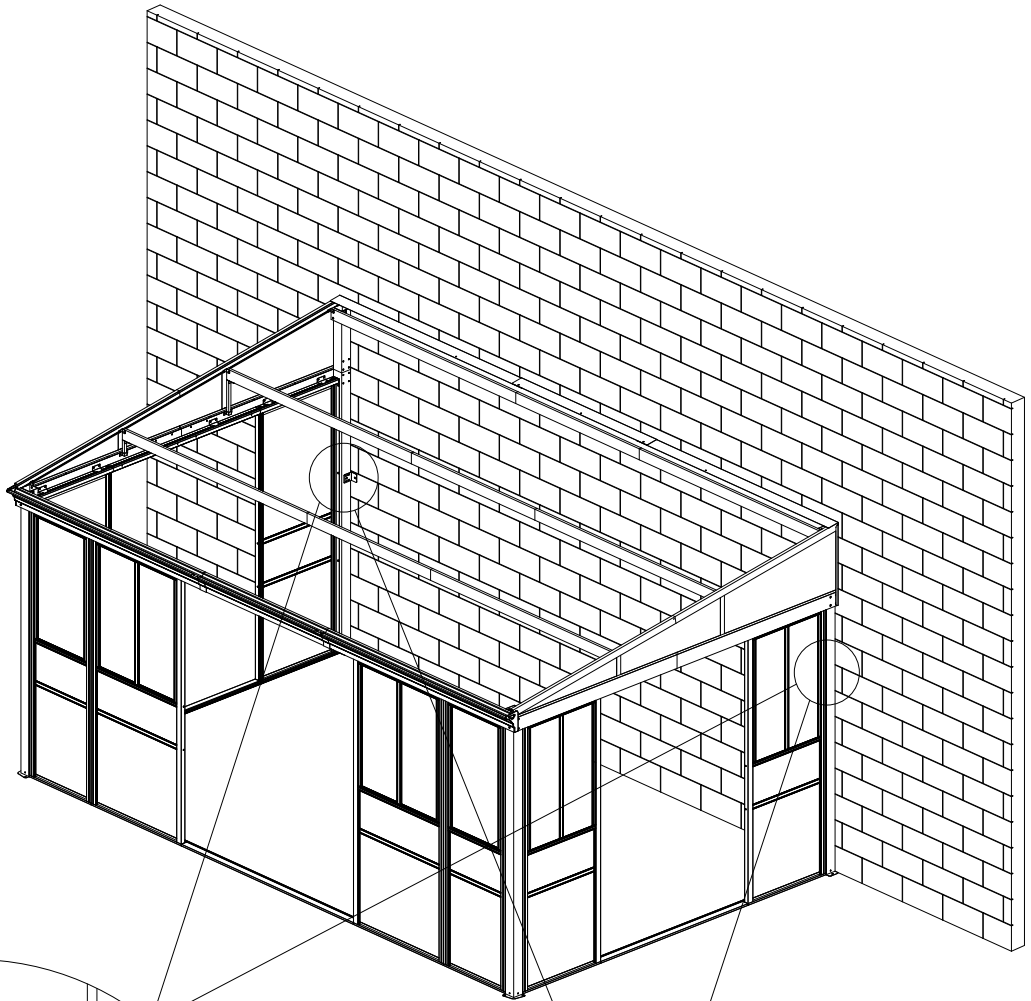


M6x15

1 6x



12 2x



<47>

DA 2x EA 1x

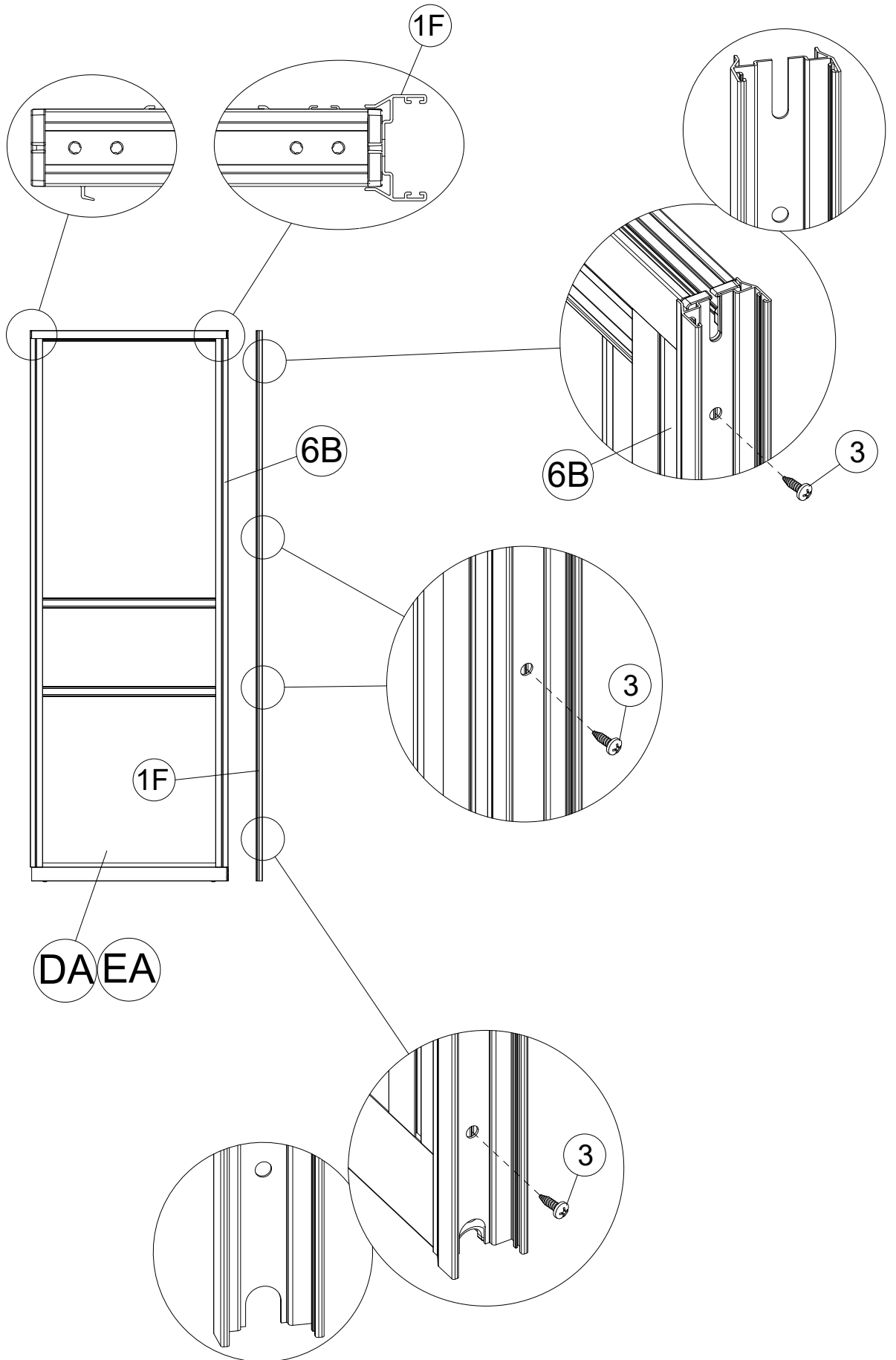
Pay attention to the installation direction.

1F 3x



ST 4.8x12

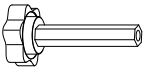
3 12x



<48>

DA 2x

EA 1x



U1 3x



U2 3x

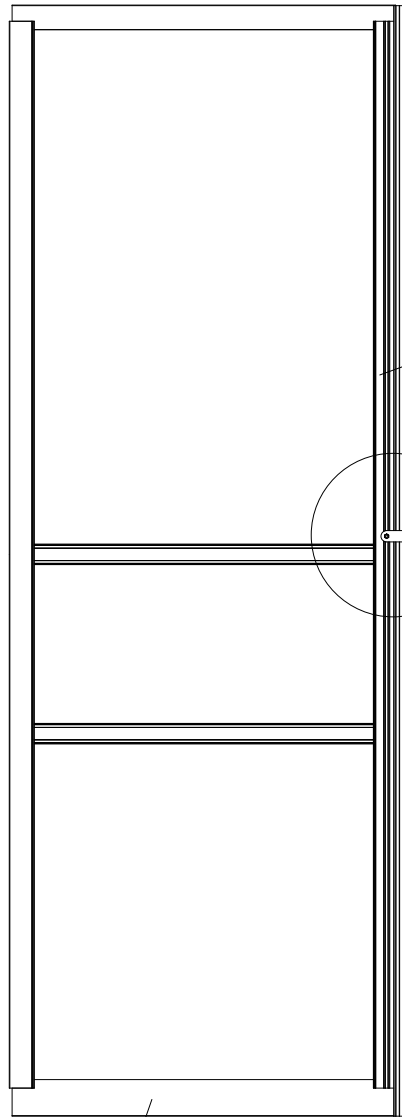


U3 3x



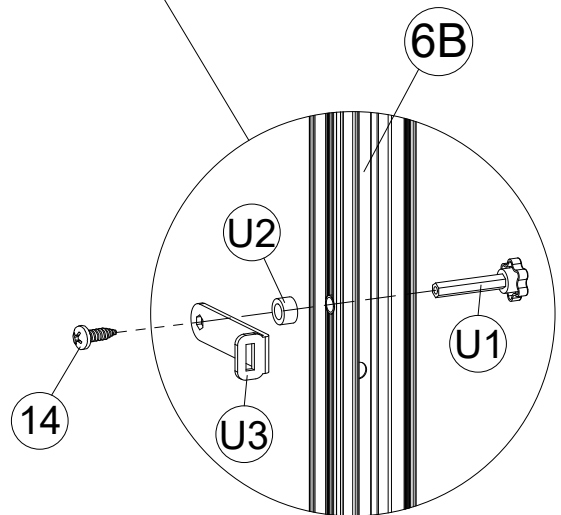
M4x12

14 3x



6B

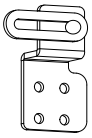
DA EA



<49>

AD 2x

AE 1x

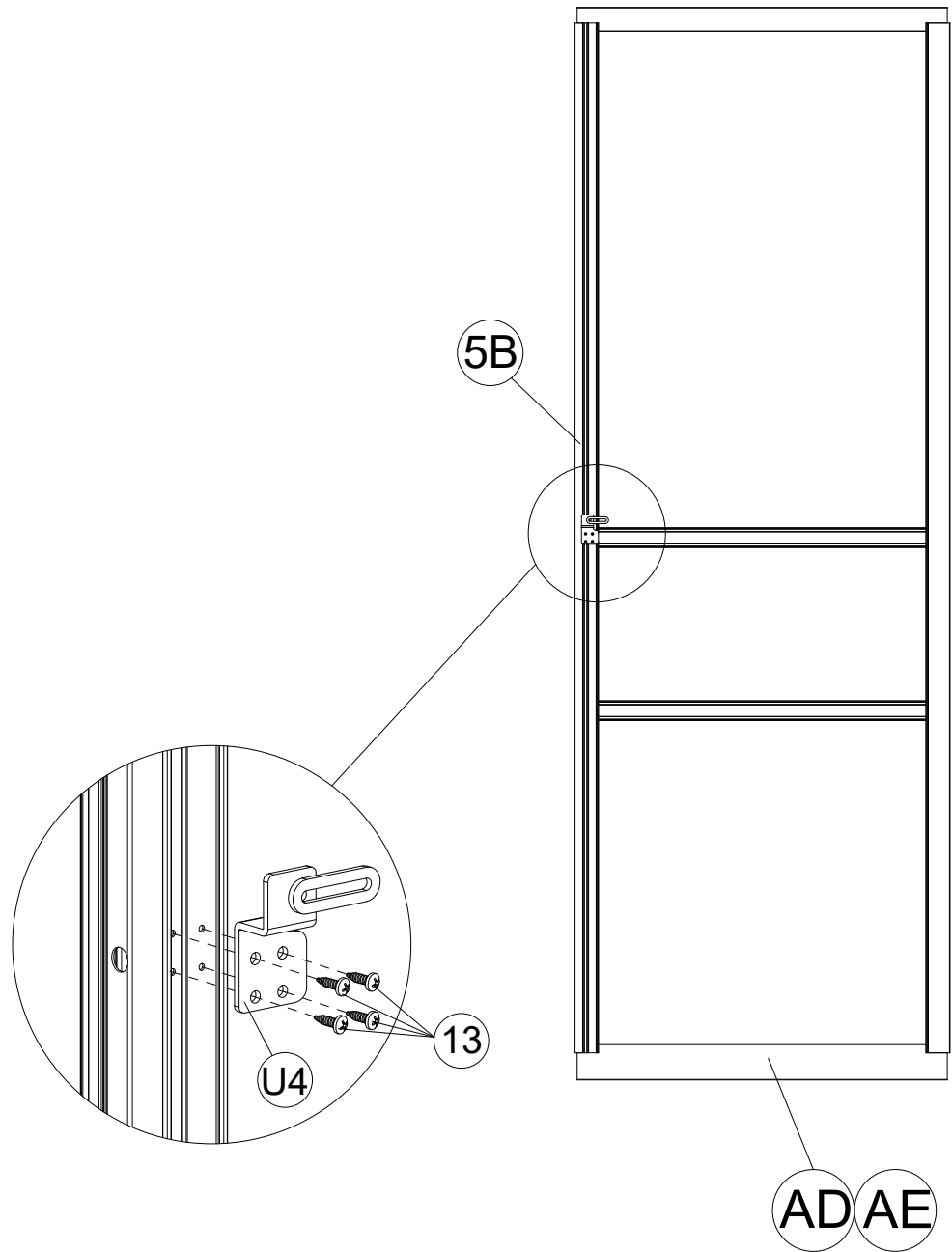


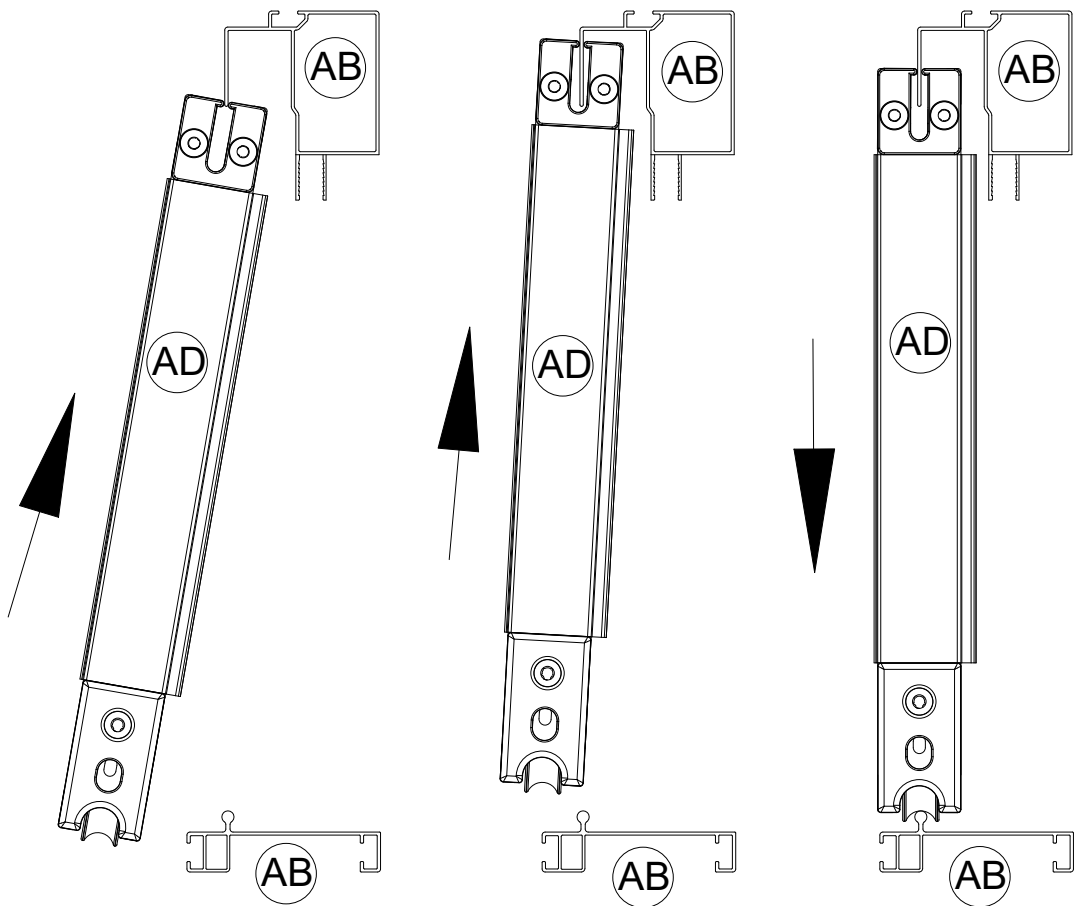
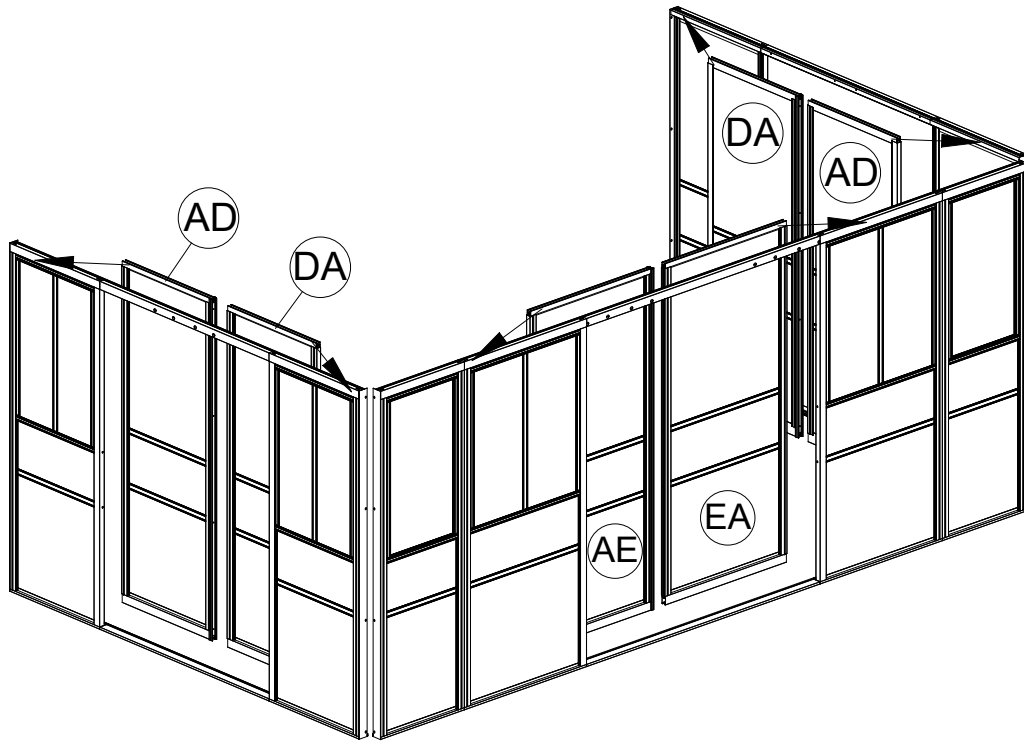
U4 3x



M5x15

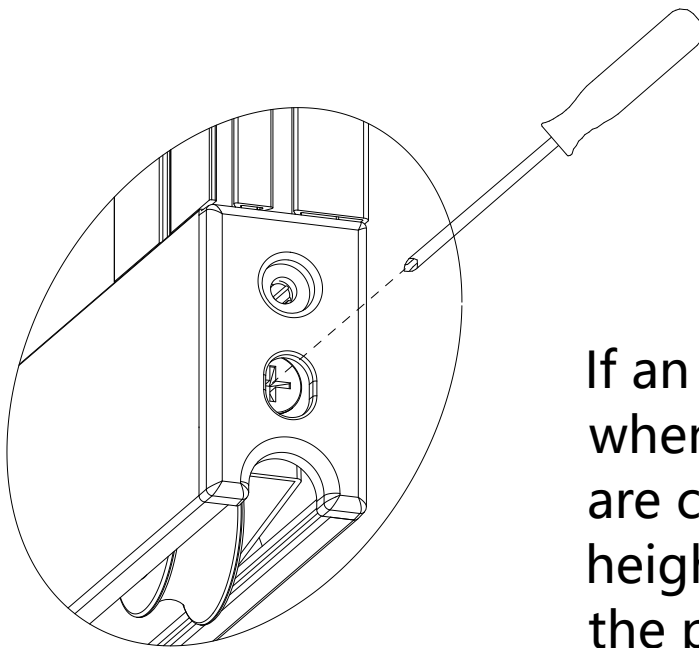
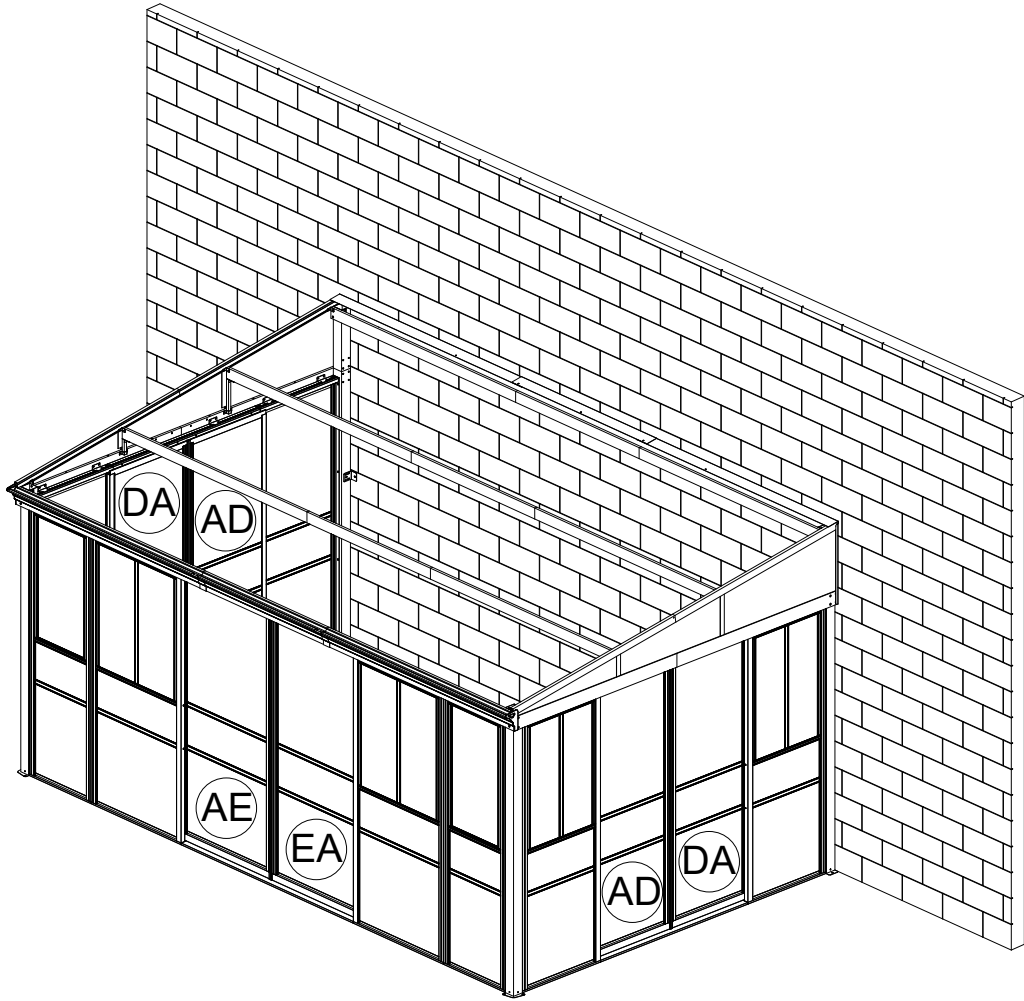
13 12x





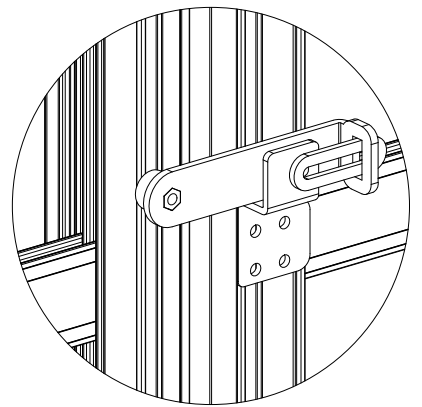
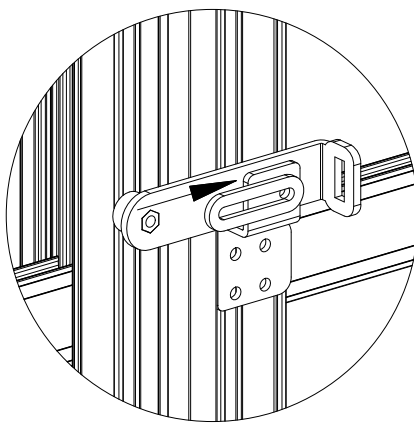
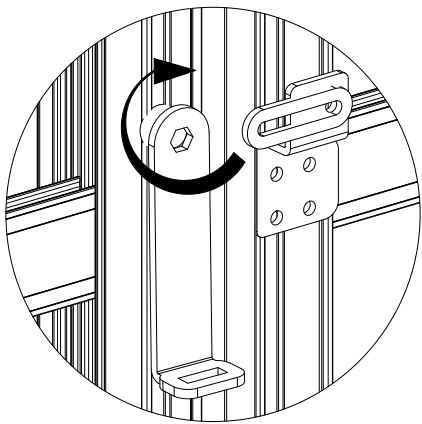
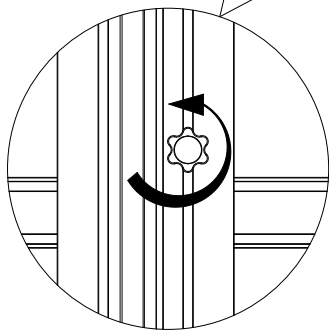
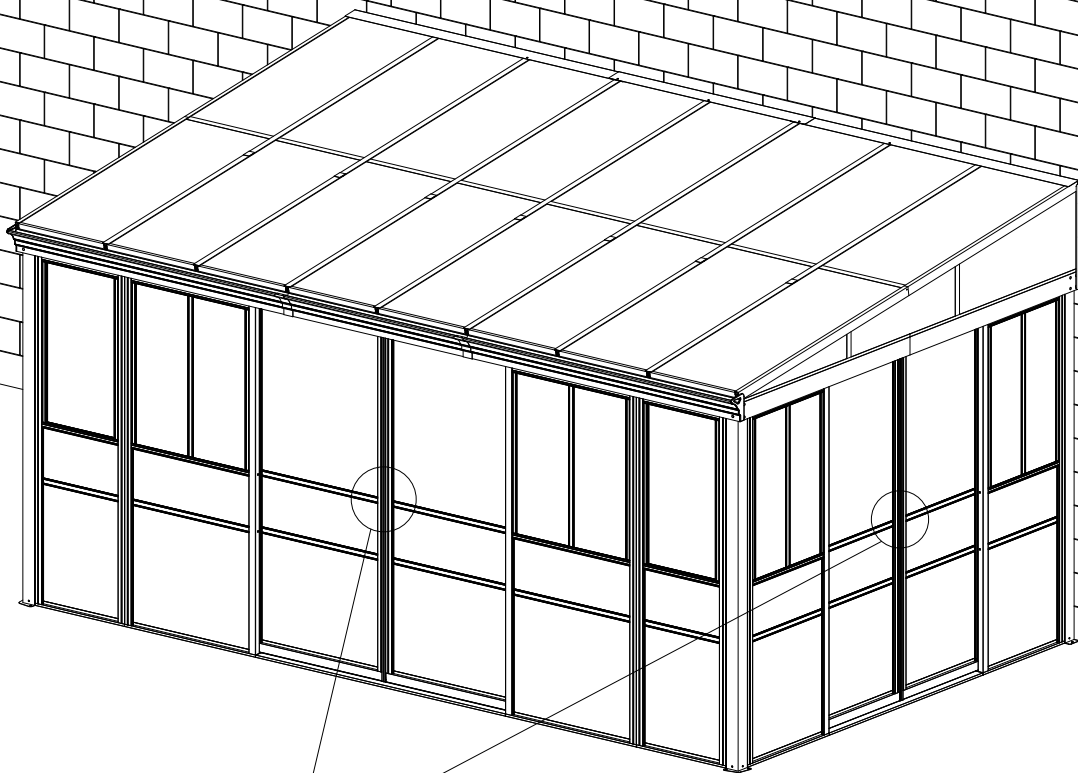
Repeat the previous steps for other components.

<51>



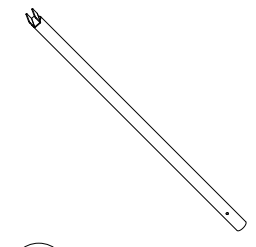
If an obvious gap appears when the two sliding doors are closed, adjust the pulley height using the screw on the pulley.

<52>

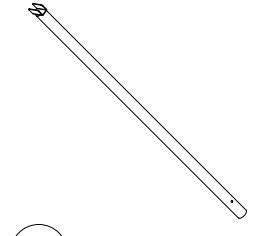


<53>

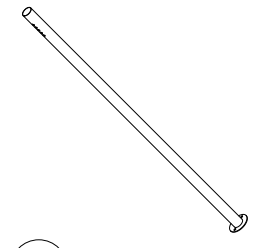
If there's extreme weather, such as heavy snowfall, use the roof support tube to hold up the roof.



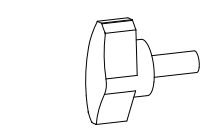
M1 1x



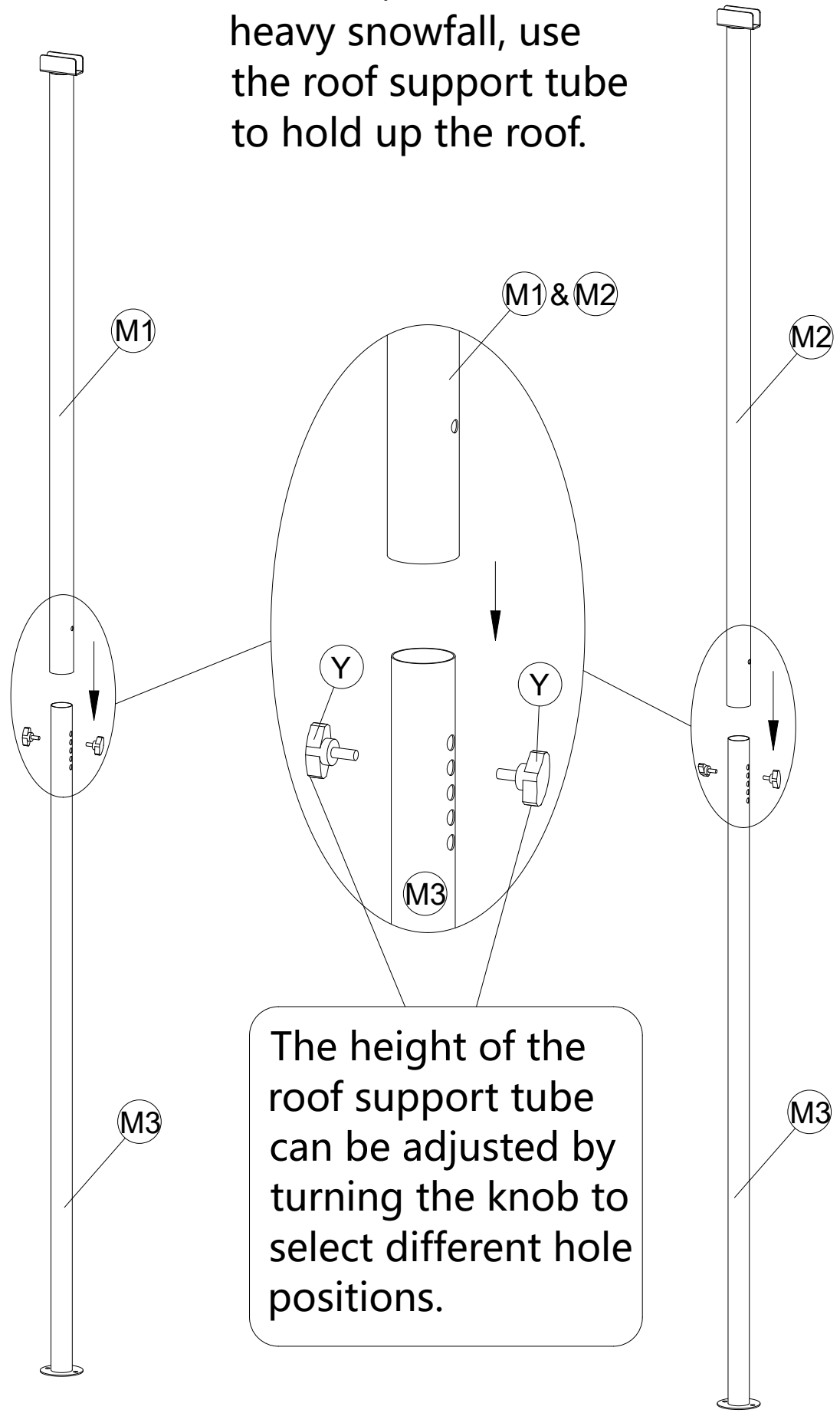
M2 1x



M3 2x



Y 4x



The height of the roof support tube can be adjusted by turning the knob to select different hole positions.

<54>

