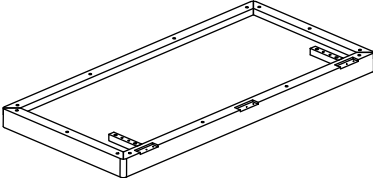
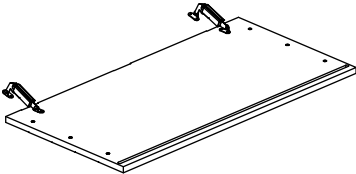
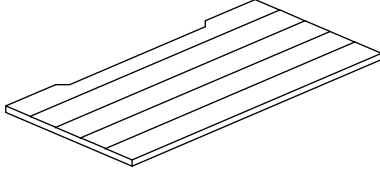
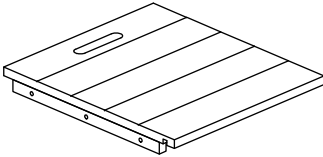
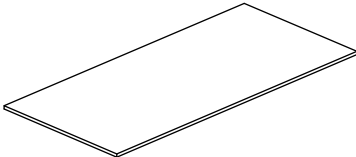


ASSEMBLY INSTRUCTIONS
ASSEMBLY ON A FLAT, PROTECTED SURFACE.
TWO PERSONS ASSEMBLY IS REQUIRED

PARTS LIST

NO.	DESCRIPTION	FIGURE	QTY
1	LID		1
2	BACK PANEL		1
3	FRONT PANEL		1
4	SIDE PANELS		2
5	BOTTOM PANEL		1

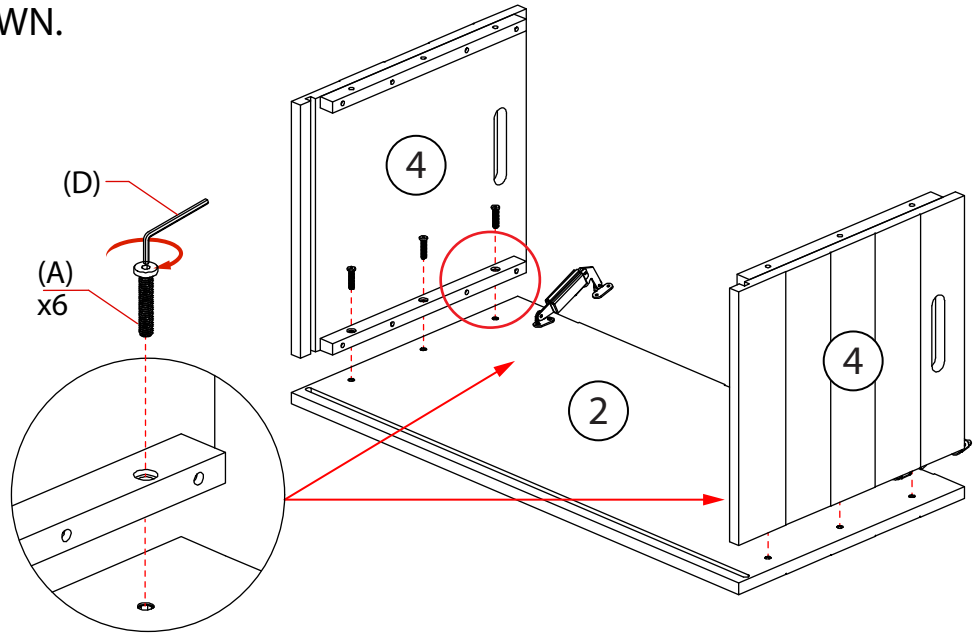
HARDWARE LIST

No.	DESCRIPTION	FIGURE	QTY
A	BOLT M6 x 30mm.		12
B	SCREW F4 x 1/2" FOR HINGES		9
C	SCREW F6 x 5/8" FOR SAFETY HINGES		4
D	ALLEN KEY		1

ASSEMBLY INSTRUCTIONS
ASSEMBLY ON A FLAT, PROTECTED SURFACE.
TWO PERSONS ASSEMBLY IS REQUIRED

STEP 1:

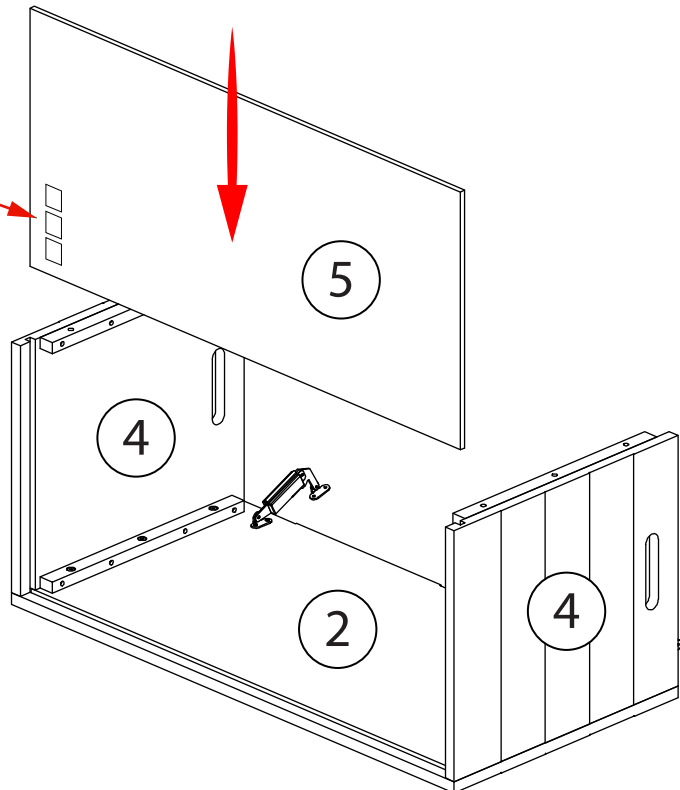
ATTACH SIDE PANELS (4) TO THE BACK PANEL (2) ALIGN SIDE PANELS' GROOVE TO THE BOTTOM GROOVE, INSERT BOLTS (A) LOOSELY TIGHTEN WITH ALLEN KEY (D) AS SHOWN.



STEP 2:

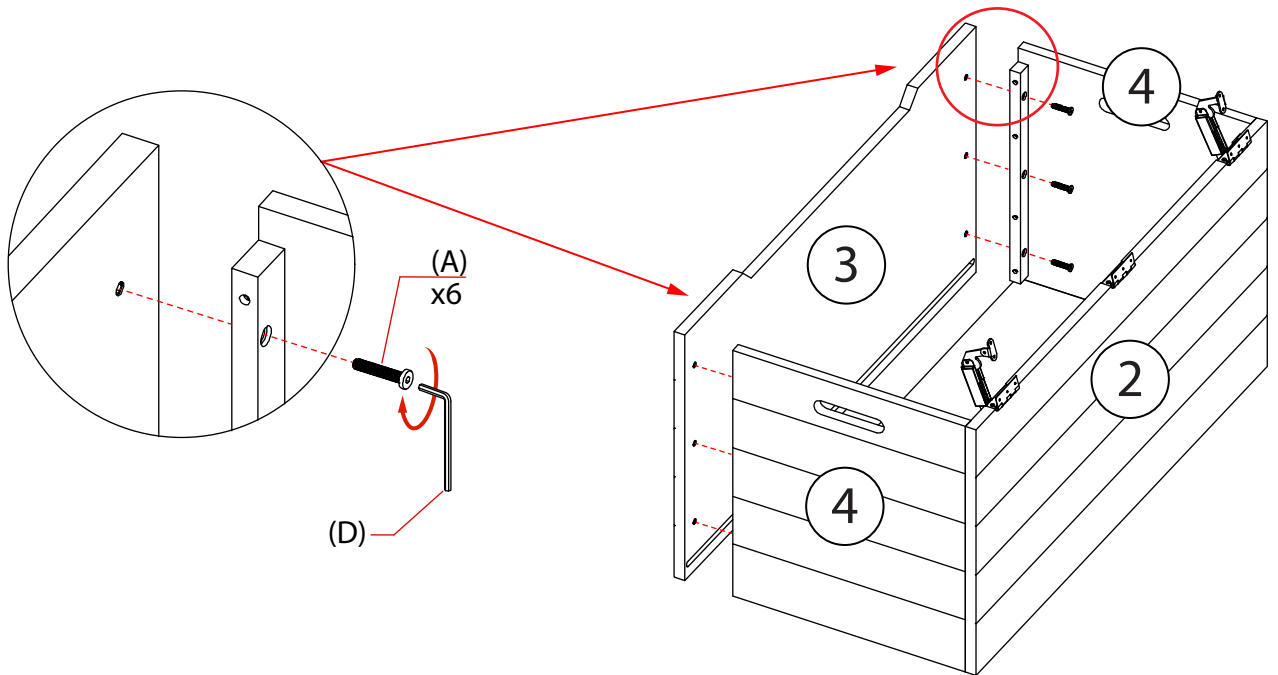
INSERT BOTTOM PANEL (5) INTO GROOVES ON PANELS AS SHOWN.

NOTE: FACE THE BACK SIDE WITH LABEL OF BOTTOM PANEL (5) TO THE GROUND



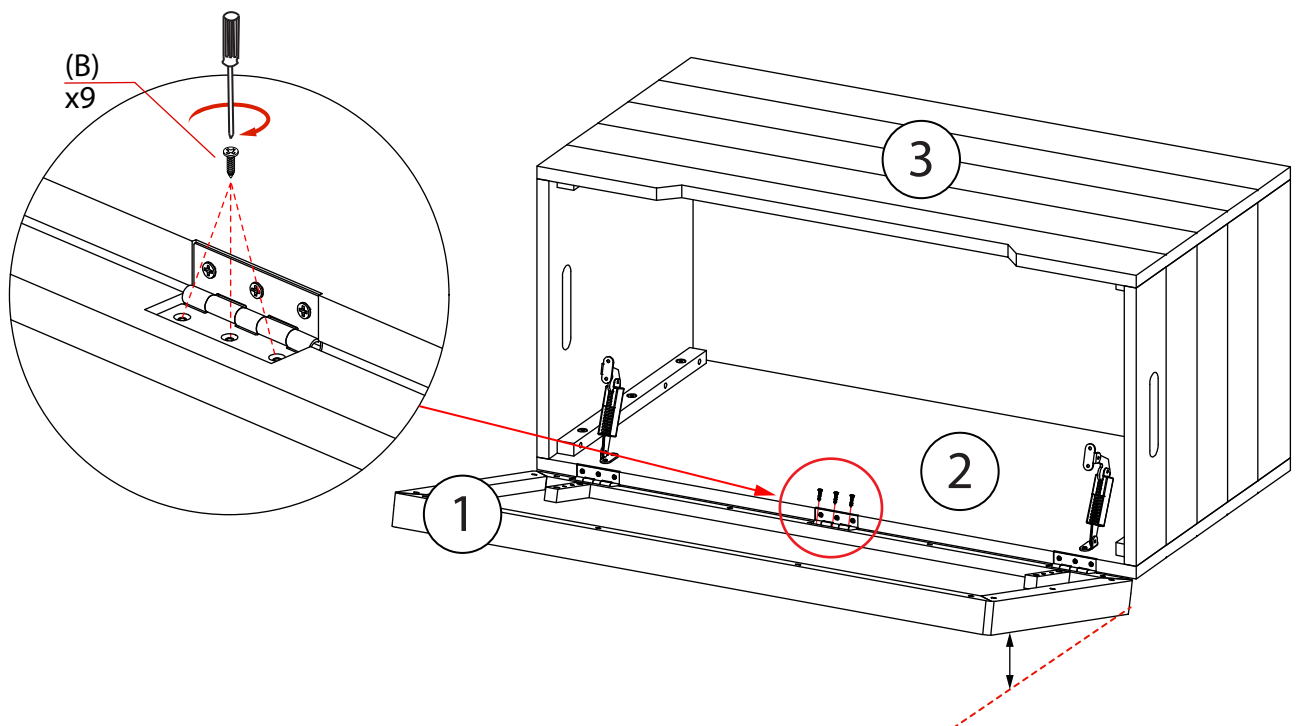
STEP 3:

ATTACH FRONT PANEL (3) TO SIDE PANELS (4) INSERT BOLTS (A) LOOSELY TIGHTEN WITH ALLEN KEY (D) AS SHOWN.



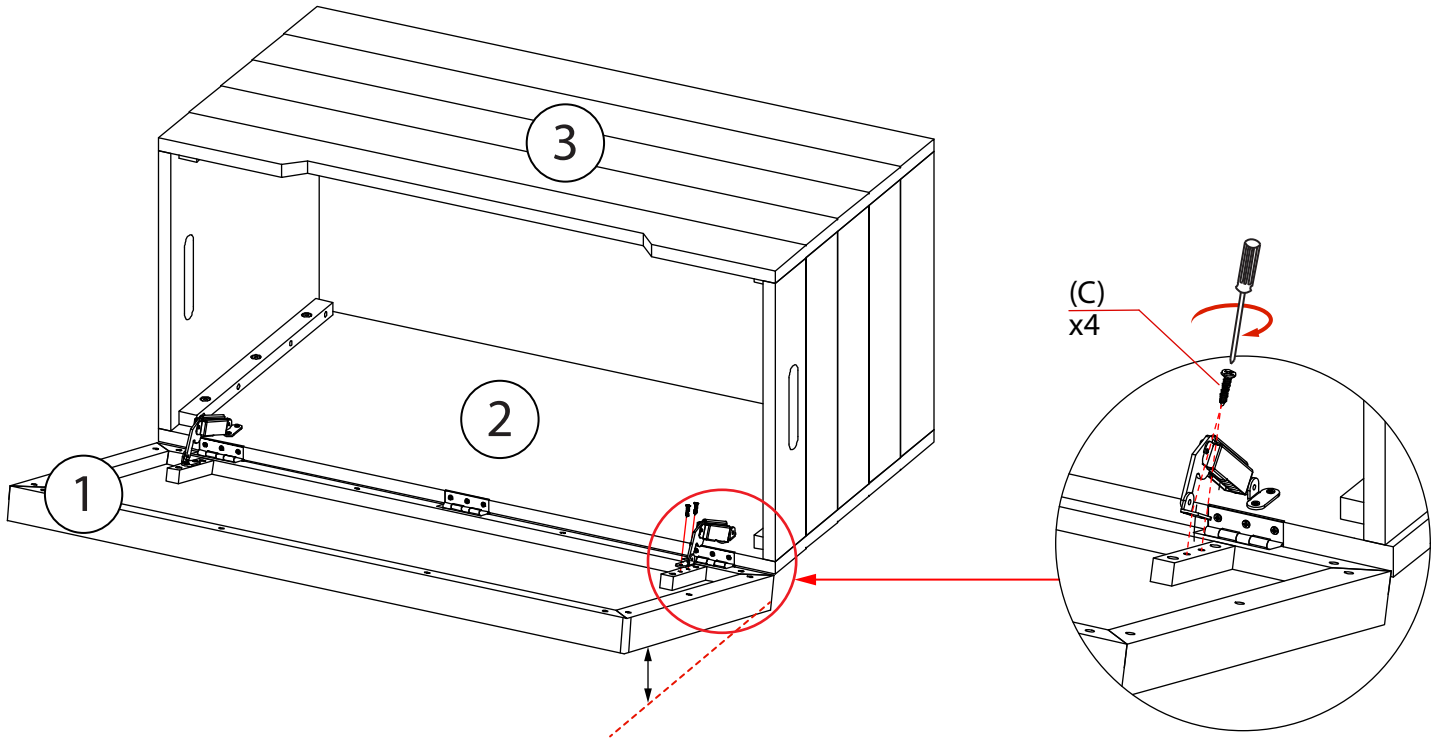
STEP 4:

WELL ALIGN LID PRE-ATTACHED HINGES TO THE PRE-DRILL HOLES ON BACK PANEL (2), INSERT SCREW (B), LOOSELY TIGHTEN WITH PHILLIPS HEAD SCREW DRIVER (NOT PROVIDED) AS SHOWN.



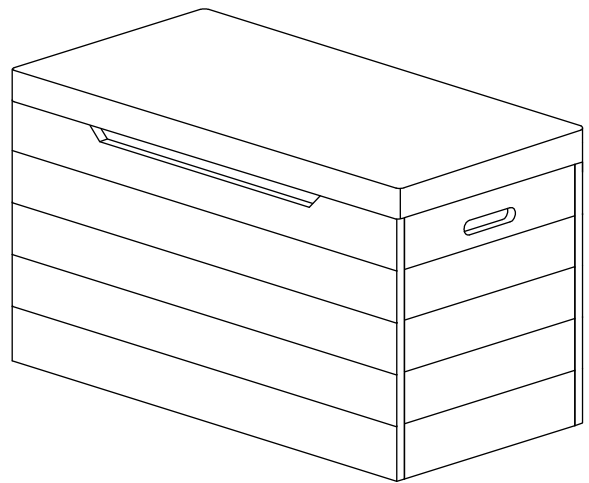
STEP 5:

ATTACH SAFETY HINGES TO THE LID (1), USING 4 SCREWS (C) LOOSELY TIGHTEN WITH PHILLIPS HEAD SCREW DRIVER (NOT PROVIDED) AS SHOWN.



STEP 6:

- 1. FULLY TIGHTEN ALL BOLTS AND SCREWS.**
- 2. STORAGE TRUNK IS READY FOR USE.**



IMPORTANT NOTE:

- PLACE ALL WOODEN PARTS ON A CLEAN AND SMOOTH SURFACE TO AVOID SCRATCHING.
- KINDLY FOLLOW THE ASSEMBLY INSTRUCTION STEP BY STEP.
- WE RECOMMEND THAT YOU PERIODICALLY TIGHTEN ALL BOLTS/SCREWS. PLEASE MAKE SURE ALL BOLTS/SCREWS ARE PLACED IN THEIR PROPER POSITION AND ARE TIGHTENED SECURELY TO ENSURE YOUR SAFETY.
- DO NOT STAND OR CLIMB ON STORAGE TRUNK.
- NOT FOR COMMERCIAL USE
- WEIGHT RESTRICTION: TOP 250 LBS; STORAGE 60 LBS

*In case you need any extra parts, please feel free to contact us directly instead of returning your order, we will be more than happy to help you within a business day.