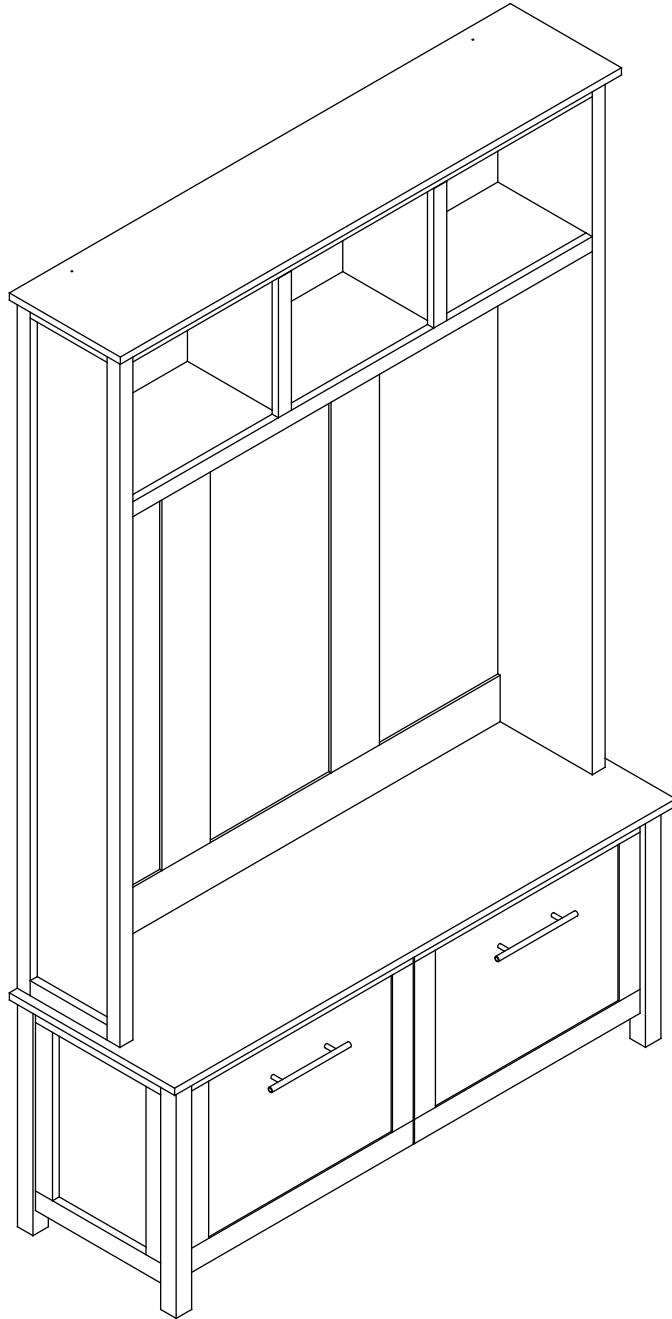


Hall Tree

Assembly Instructions - Please keep for future reference



Dimensions

Width-47.2inch

Depth-15.7inch

Height-76.7inch

Important – Please read these instructions fully before starting assembly



Safety and Care Advice

Important – Please read these instructions fully before starting assembly

- Check you have all the components and tools listed on the following pages.
- Remove all fittings from the plastic bags and separate them into their groups.
- Keep children and animals away from the work area, small parts could choke if swallowed.
- Make sure you have enough space to layout the parts before starting.

- During assembly do not stand or put weight on the product, this could cause damage.
- Assemble the item as close to its final position (in the same room) as possible.
- Assemble on a soft level surface to avoid damaging the unit or your floor.
- Parts of the assembly will be easier with 2 people.



power drill is set on a low torque setting.

- To reduce the likelihood of damaging your product please ensure that your

Care and maintenance

- Only clean using a damp cloth and mild detergent, do not use bleach or abrasive cleaners.
- From time to time check that there are no loose screws on this unit.
- This product should not be discarded with household waste. Take to your local authority waste disposal centre.

Handy Hints

- Assemble all parts and bolts loosely during assembly, only once the product is complete should you fully tighten the bolts
- Regularly check and ensure That all bolts and fittings are tightend properly.

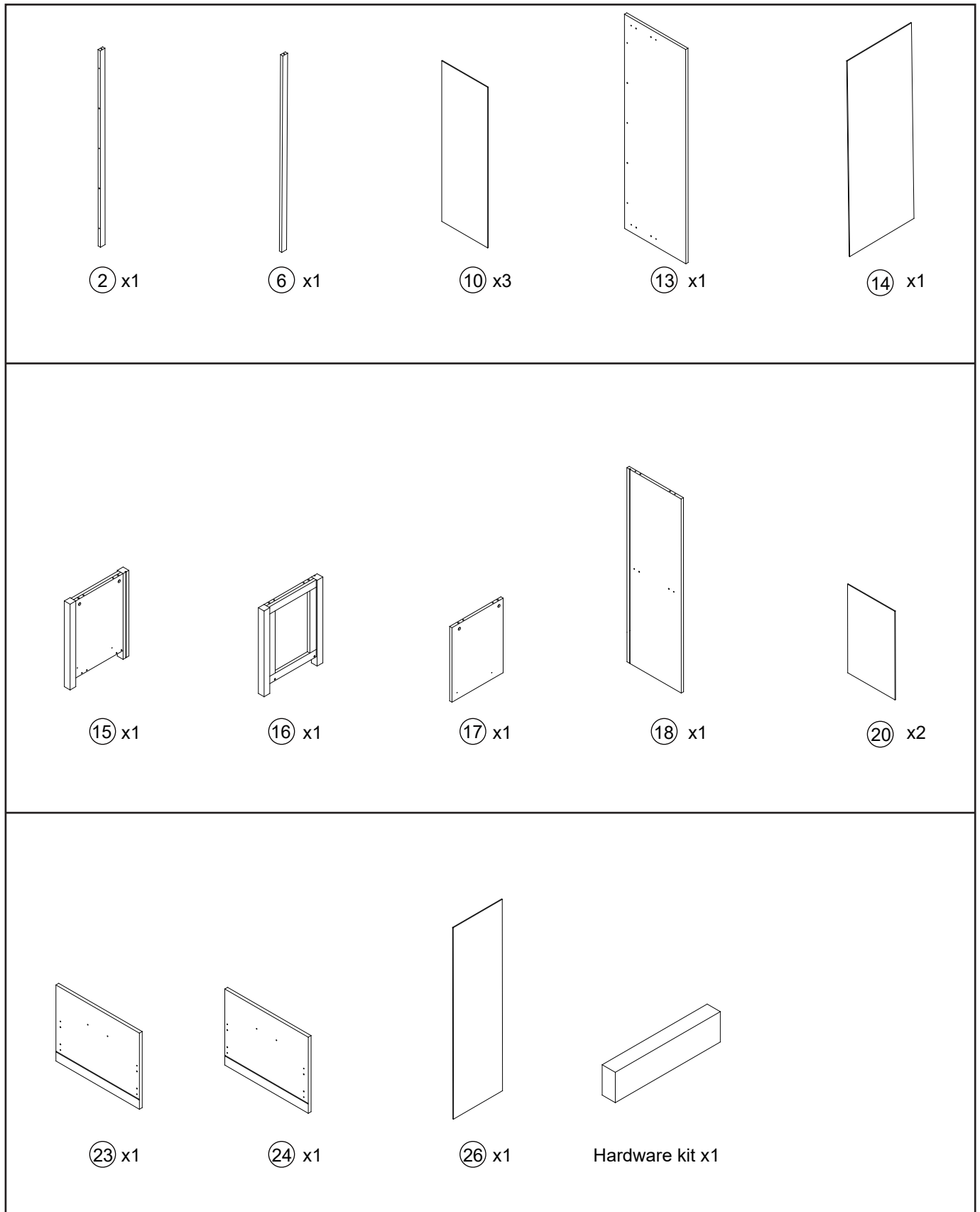
WARNING
In order to help prevent overturning –
please follow these instructions

To help prevent product toppling over please follow the below steps:-

- Use the anti tip stap or wall fixing method provided (if applicable)
- Do not allow children to climb or hang on the furniture
- Do not open more than one drawer at a time
- Do not place heavy items in the top drawers
- Do not place heavy items on top of the furniture, unless the furniture has been designed for this purpose

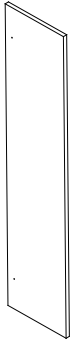
Part List

There are 2 boxes of this product.

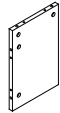


Part List

There are 2 boxes of this product.



① x1



③ x2



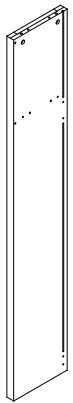
④ x2



⑤ x1



⑦ x1



⑧ x1



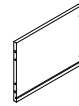
⑨ x1



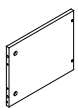
⑪ x2



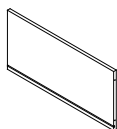
⑫ x1



⑲ x2



⑳ x2

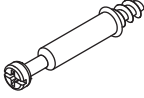

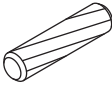



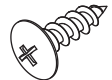

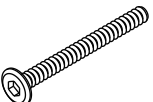

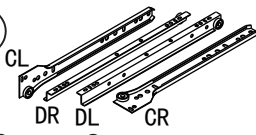

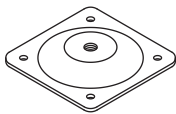
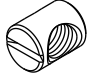
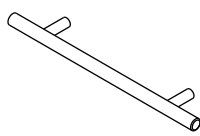
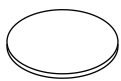
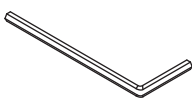


㉒ x2

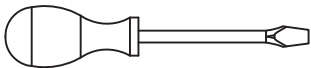
Components - Fittings

Please check you have all the panels listed below

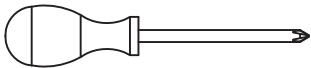
Note: The quantities below are the correct amount to complete the assembly. In some cases more fittings may be supplied than are required.

<p>(A) </p> <p>Cam Bolt x 44+3</p>	<p>(B) </p> <p>Cam lock x 44+3</p>	<p>(C) </p> <p>Dowel x 64+3</p>	<p>(D) </p> <p>Screw x 2</p>
<p>(E) </p> <p>3*12mm Screw x16+1</p>	<p>(F) </p> <p>3*16mm Screw x12+1</p>	<p>(G) </p> <p>4*12mm Screw x4</p>	<p>(H) </p> <p>4*35mm Screw x24+2</p>
<p>(I) </p> <p>6*55mm Screw x4</p>	<p>(J) </p> <p>4*22mm Screw x4</p>	<p>(K) </p> <p>300mm x2</p>	<p>(L) </p> <p>x6</p>
<p>(M) </p> <p>x 1</p>	<p>(N) </p> <p>Vertical nut x 4</p>	<p>(O) </p> <p>x 2</p>	<p>(P) </p> <p>Hole to stick x 16+1</p>
<p>(Q) </p> <p>x 1</p>			

Tools required



Phillips screwdriver
(medium & large)



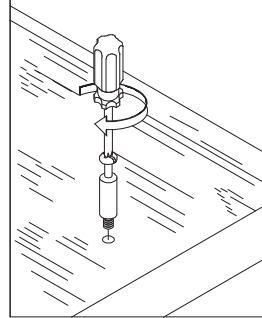
Using Camlocks

Step 1

Connect the male camlock as directed in the assembly instructions using a screwdriver.

1

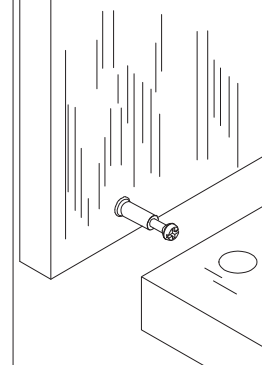
DO NOT OVER TIGHTEN.
NE PAS SERRER EXCESSIVEMENT.



Step 2

Push the male camlock into the entry hole.

2

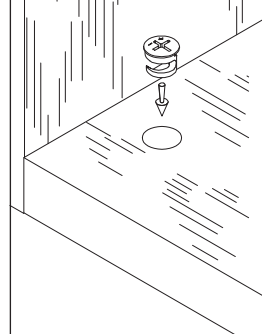


Step 3

Insert the female camlock as shown in the instruction.

Note: ensure that the arrow on the top of the camlock points towards the entry hole for the male camlock.

3



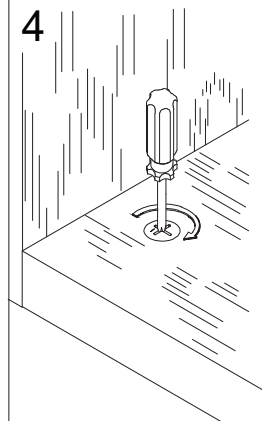
Step 4

Turn the female camlock clockwise with a screwdriver.

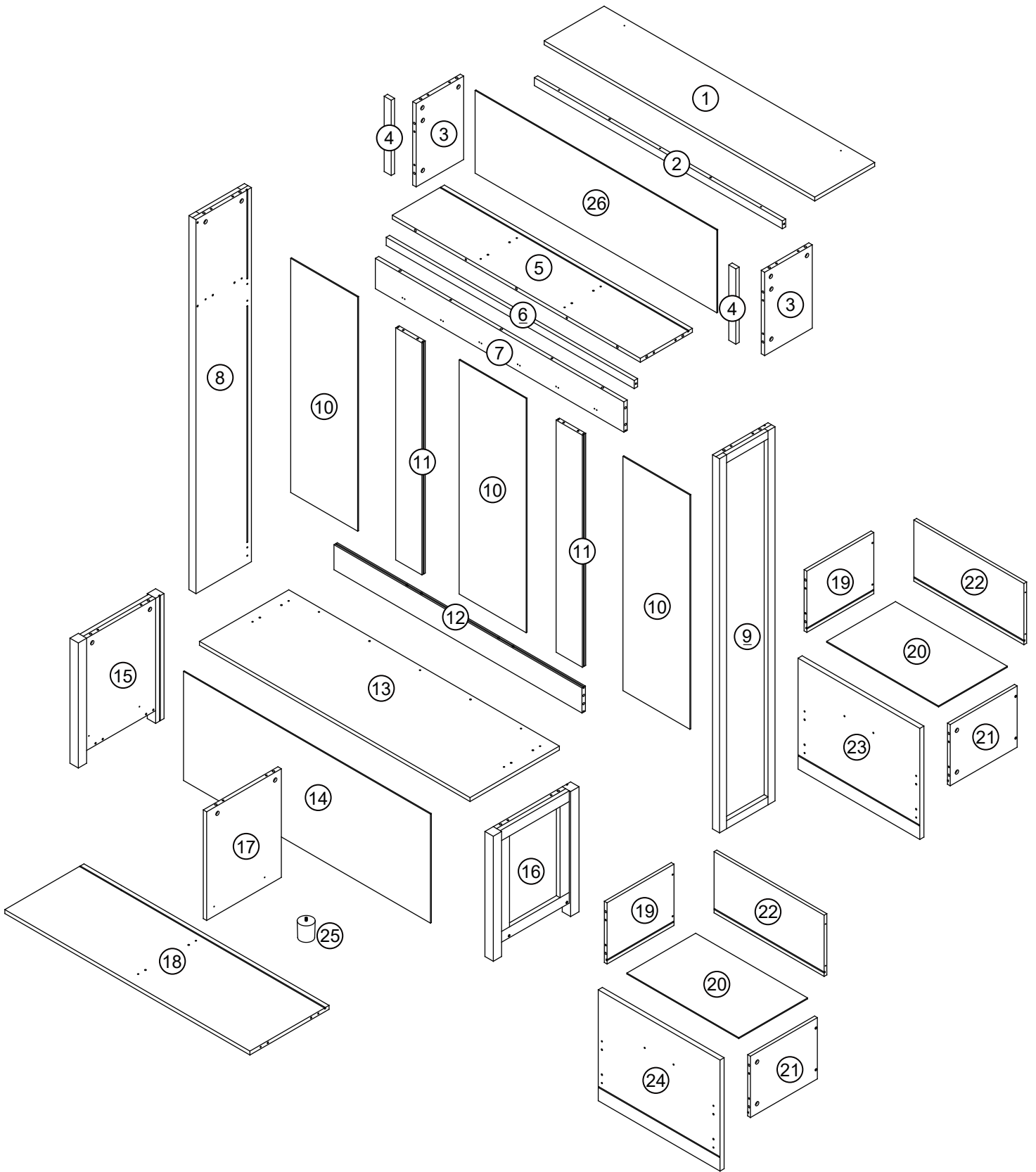
You should feel a click when the camlock is locked in place.

The joint is now secure.

4

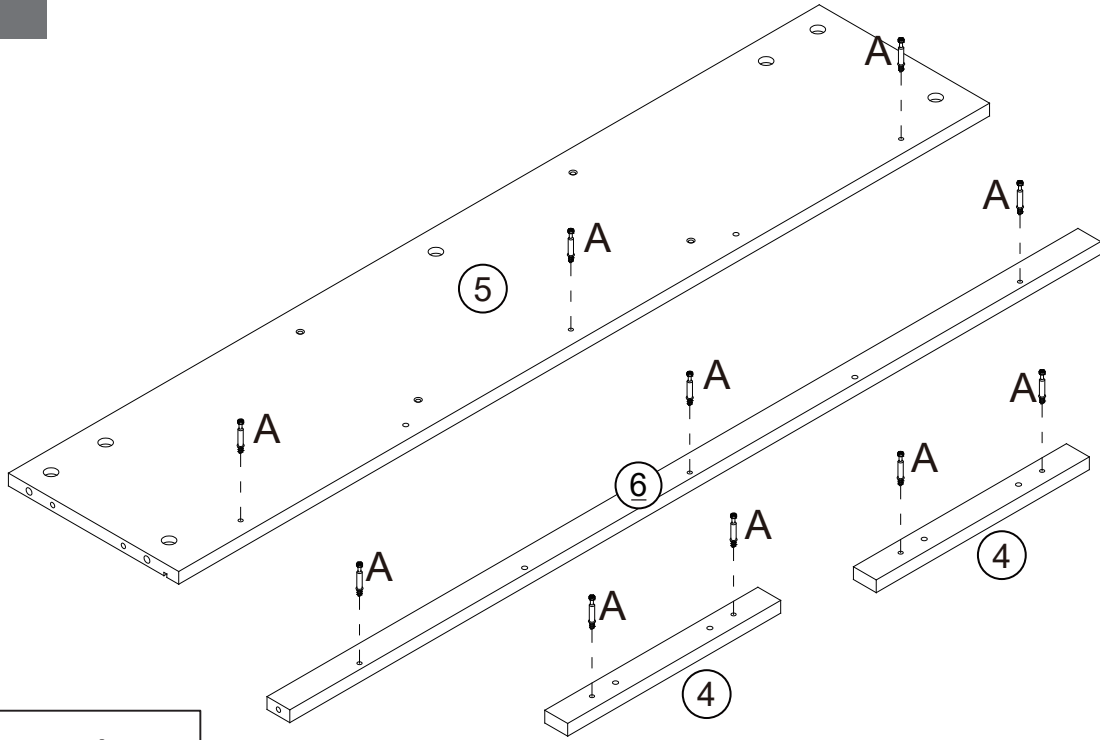


Assembly Instructions

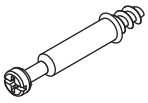


Assembly Instructions

Step 1

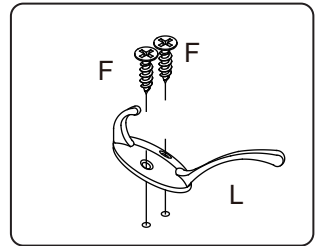
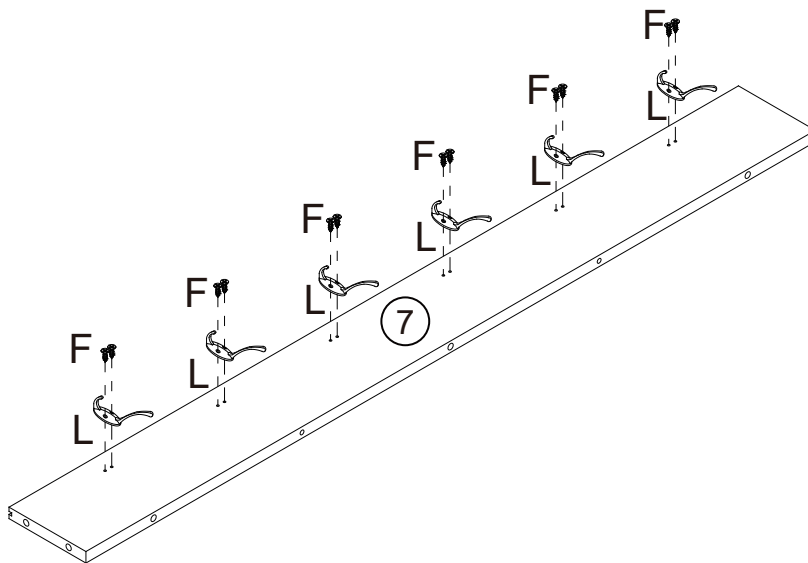


(A)

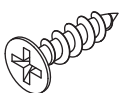


Cam Bolt x 10

Step 2



(F)



3*16mm Screw x12

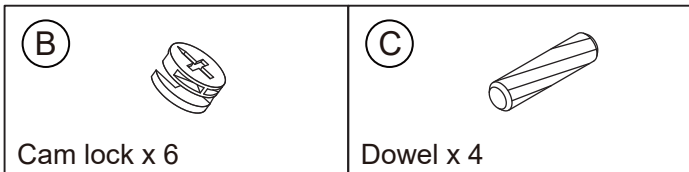
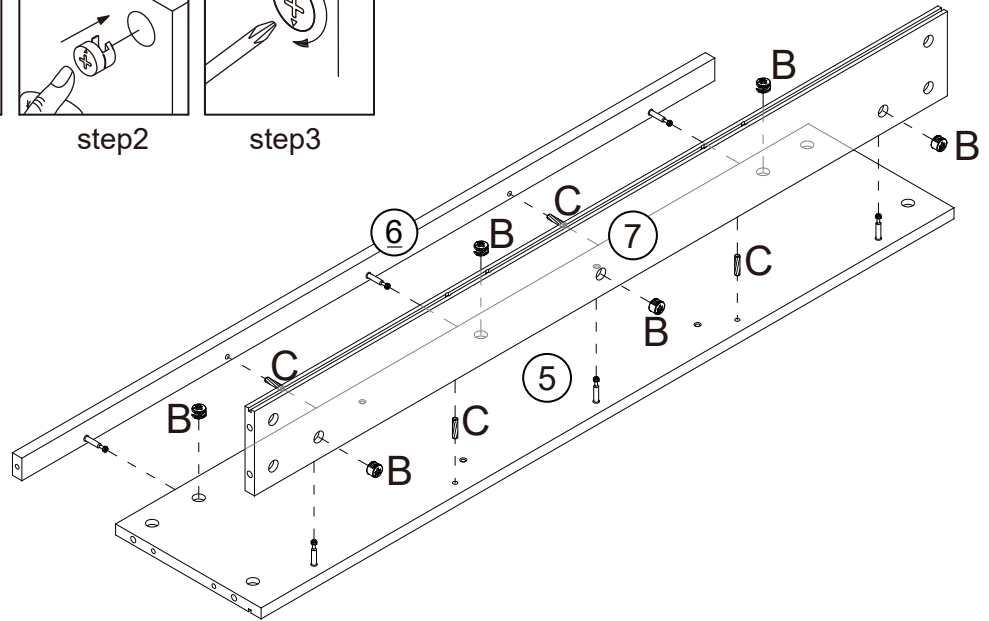
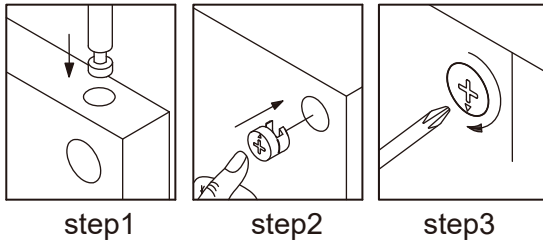
(L)



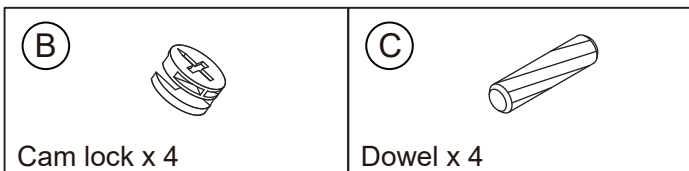
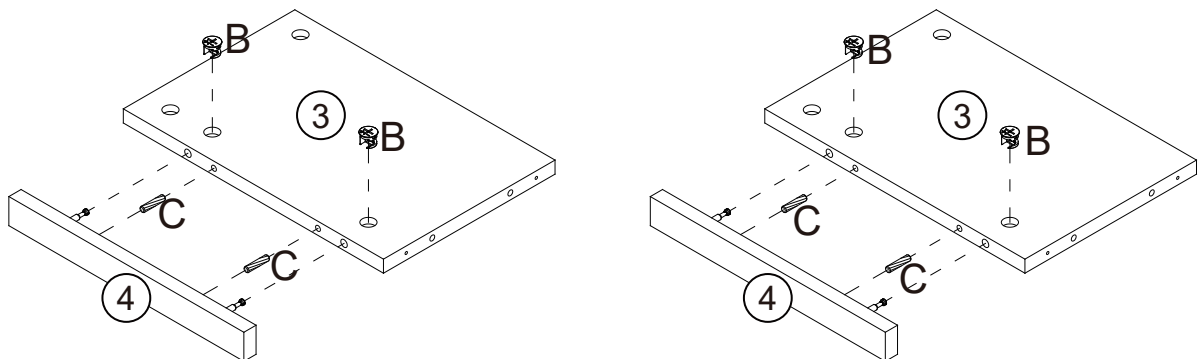
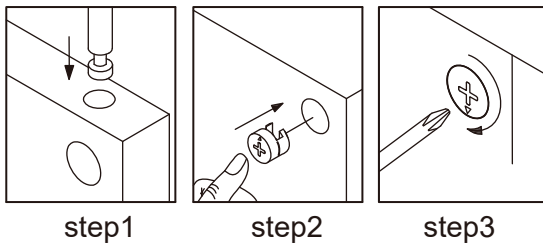
x 6

Assembly Instructions

Step 3

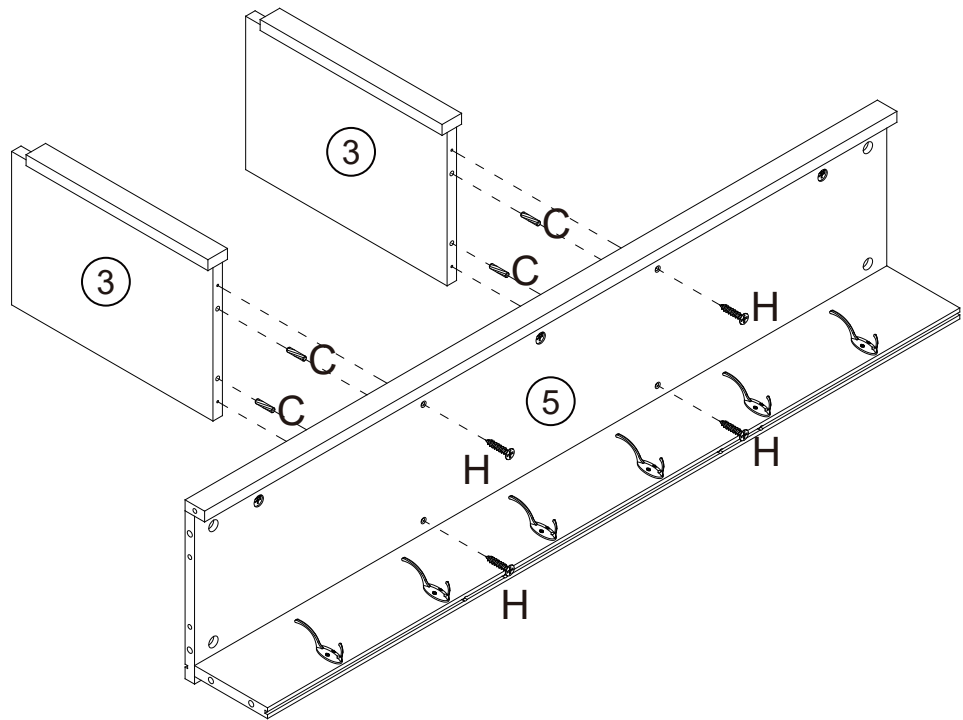


Step 4

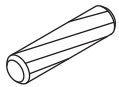


Assembly Instructions

Step 5

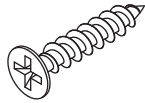


C



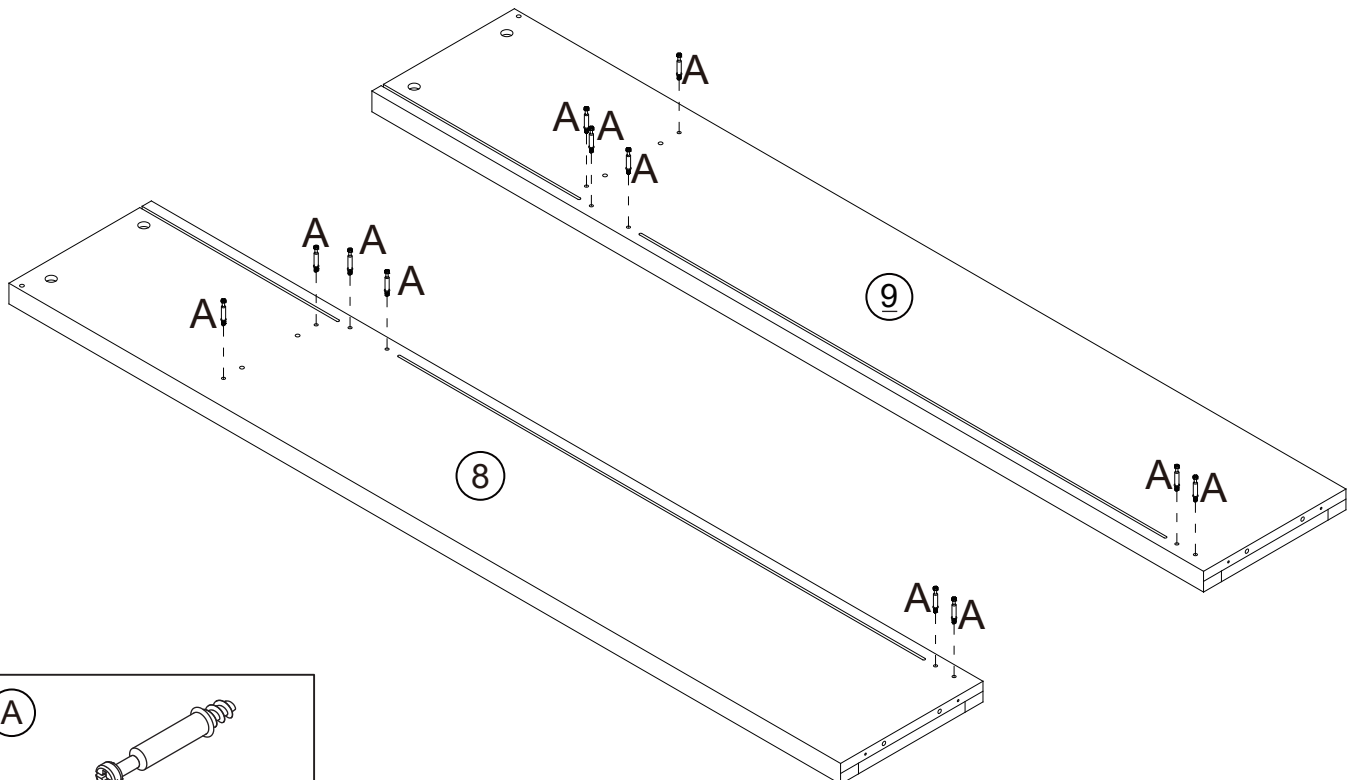
Dowel x 4

H

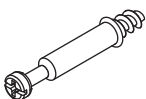


4*35mm Screw x4

Step 6



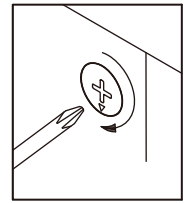
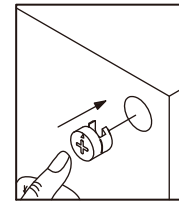
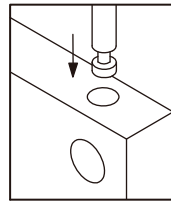
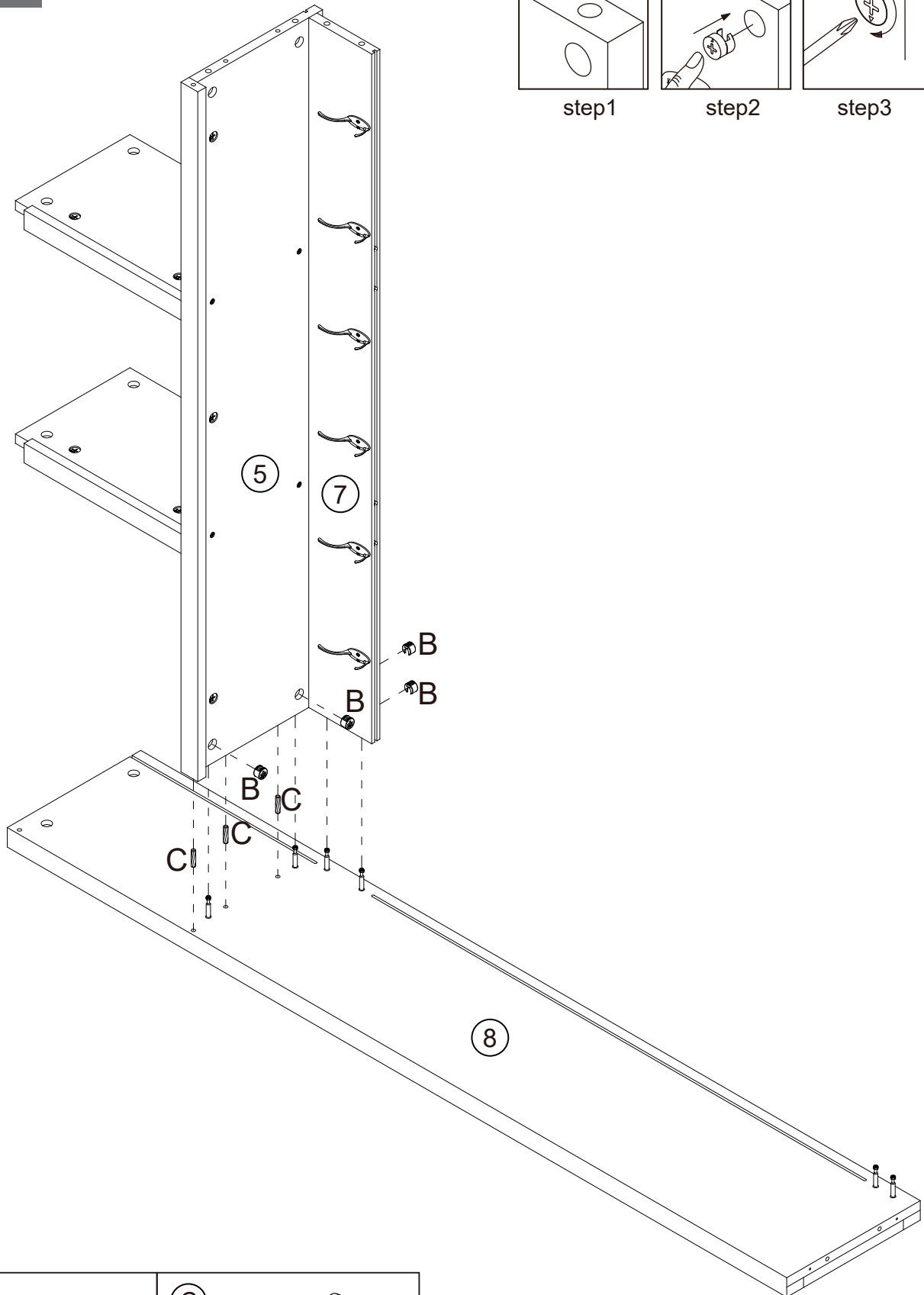
A


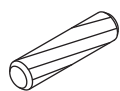


Cam Bolt x 12

Assembly Instructions

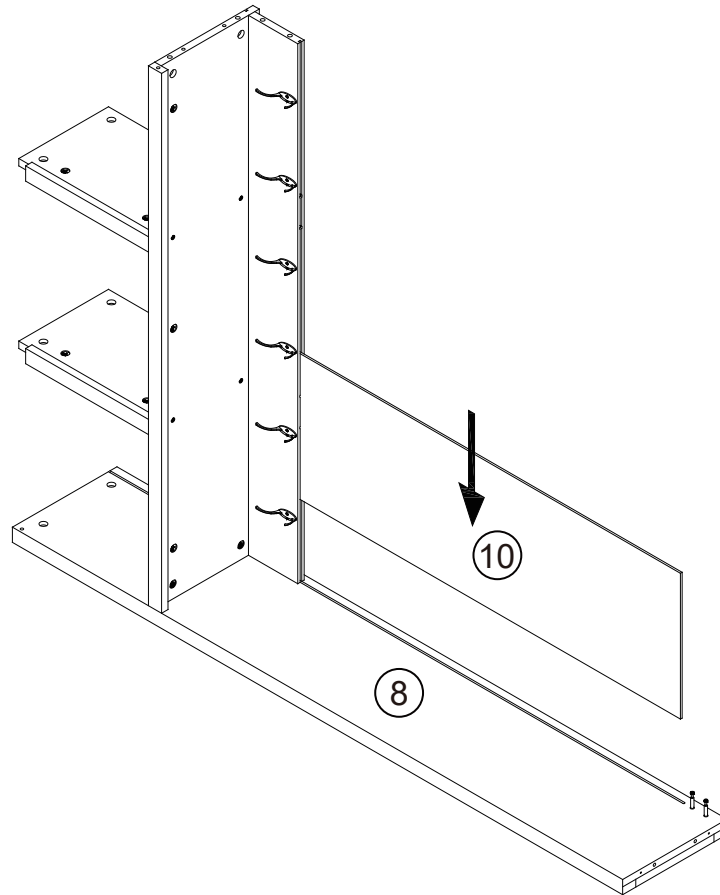
Step 7



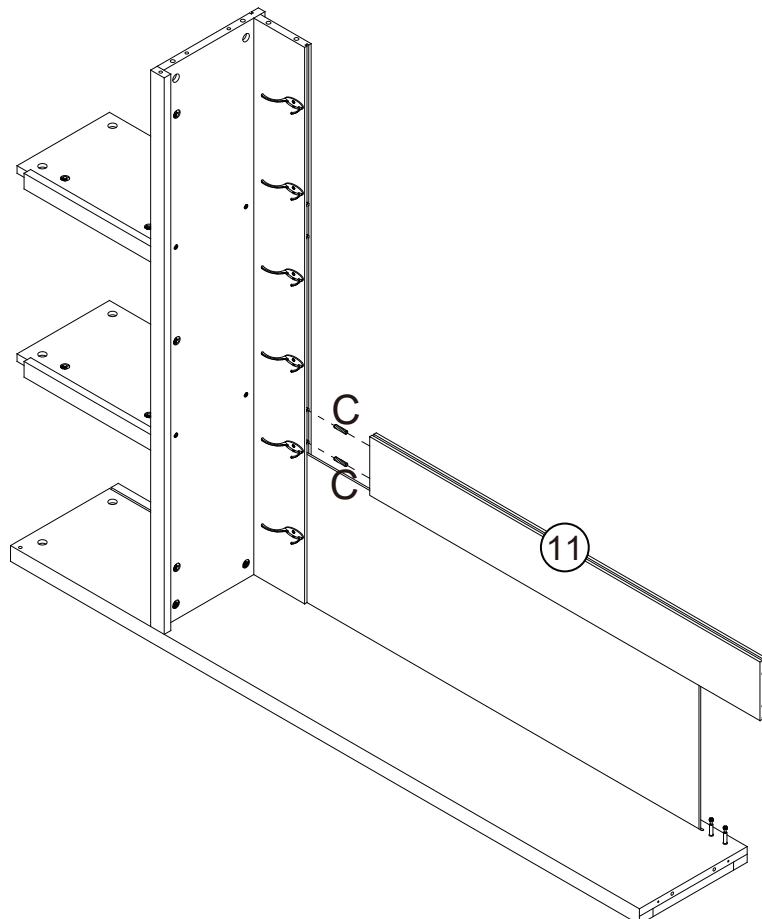
 Cam lock x 4	 Dowel x 3
--	--

Assembly Instructions

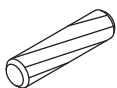
Step 8



Step 9



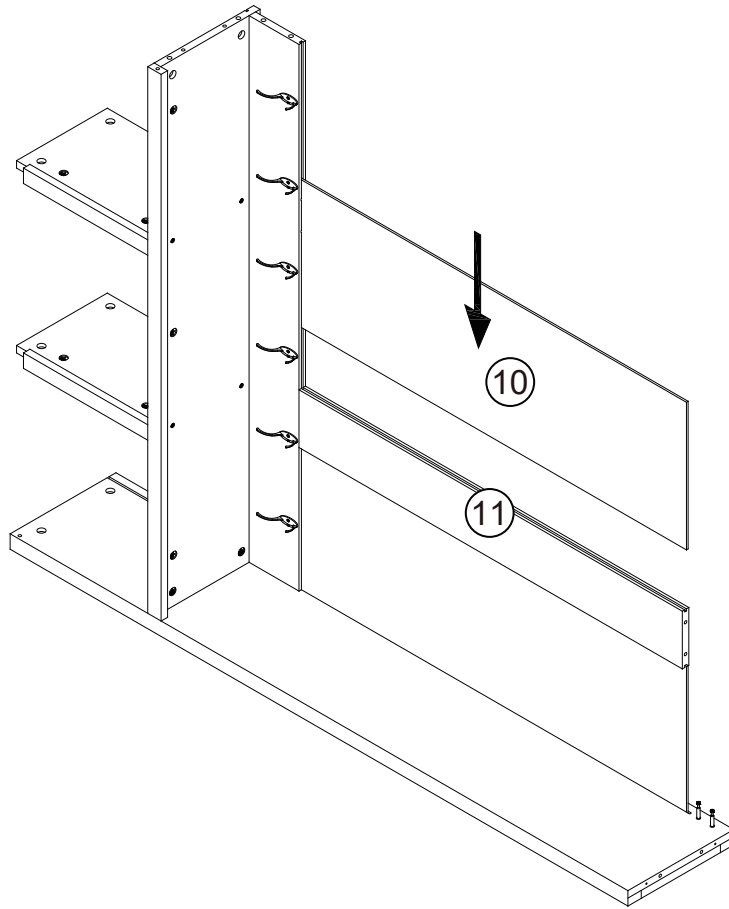
C



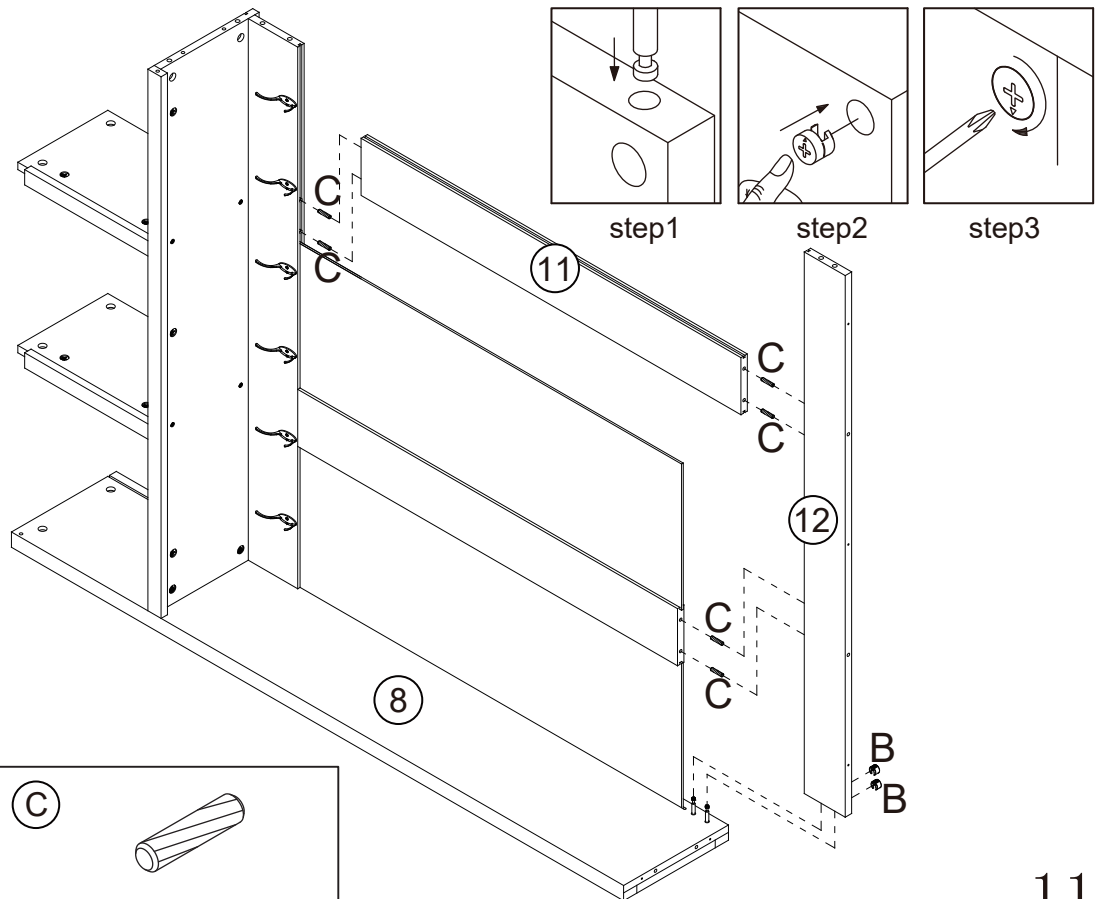
Dowel x 2

Assembly Instructions

Step 10

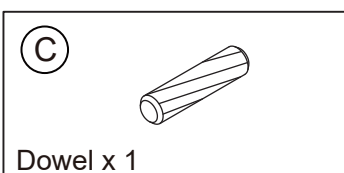
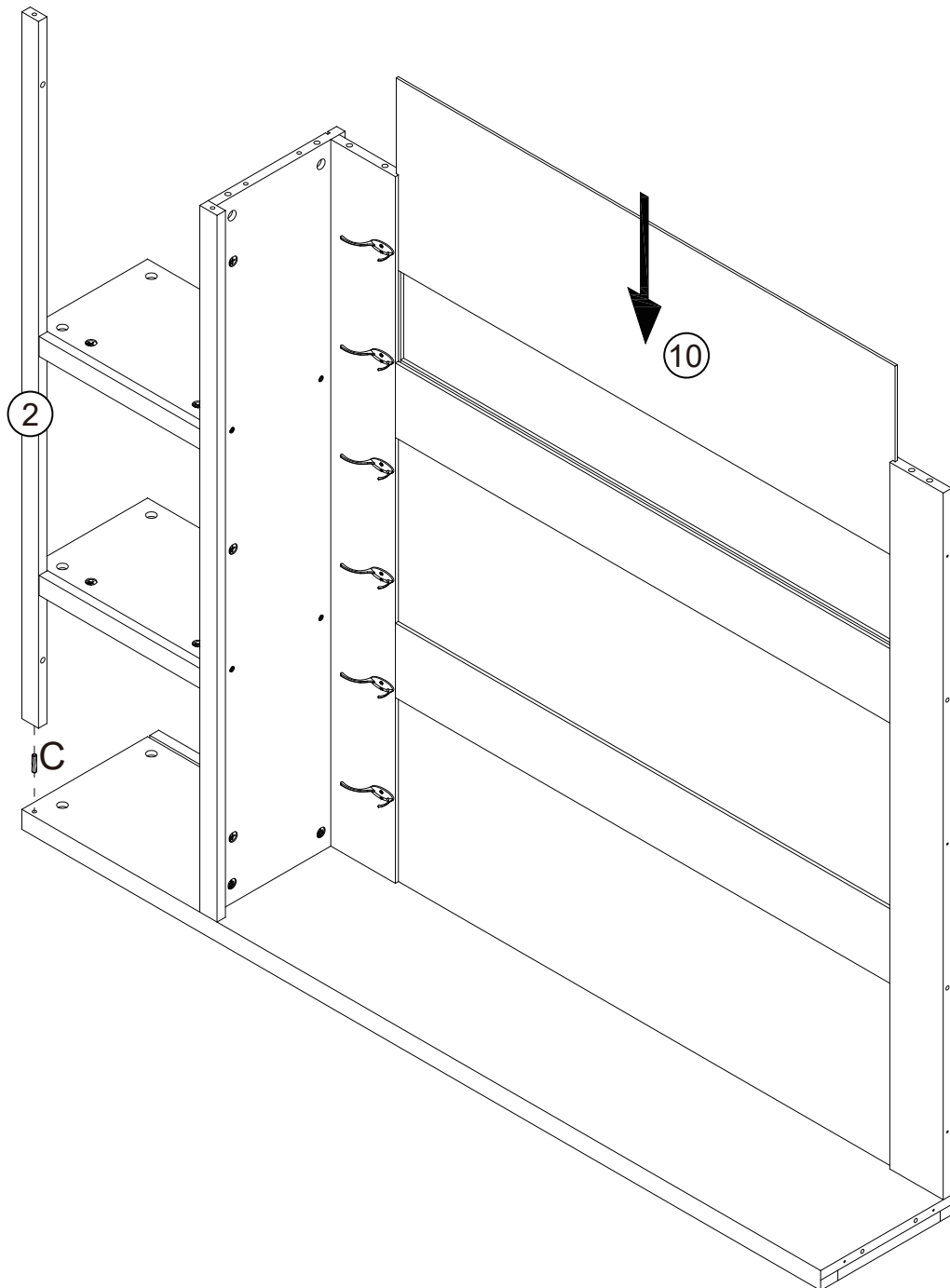


Step 11



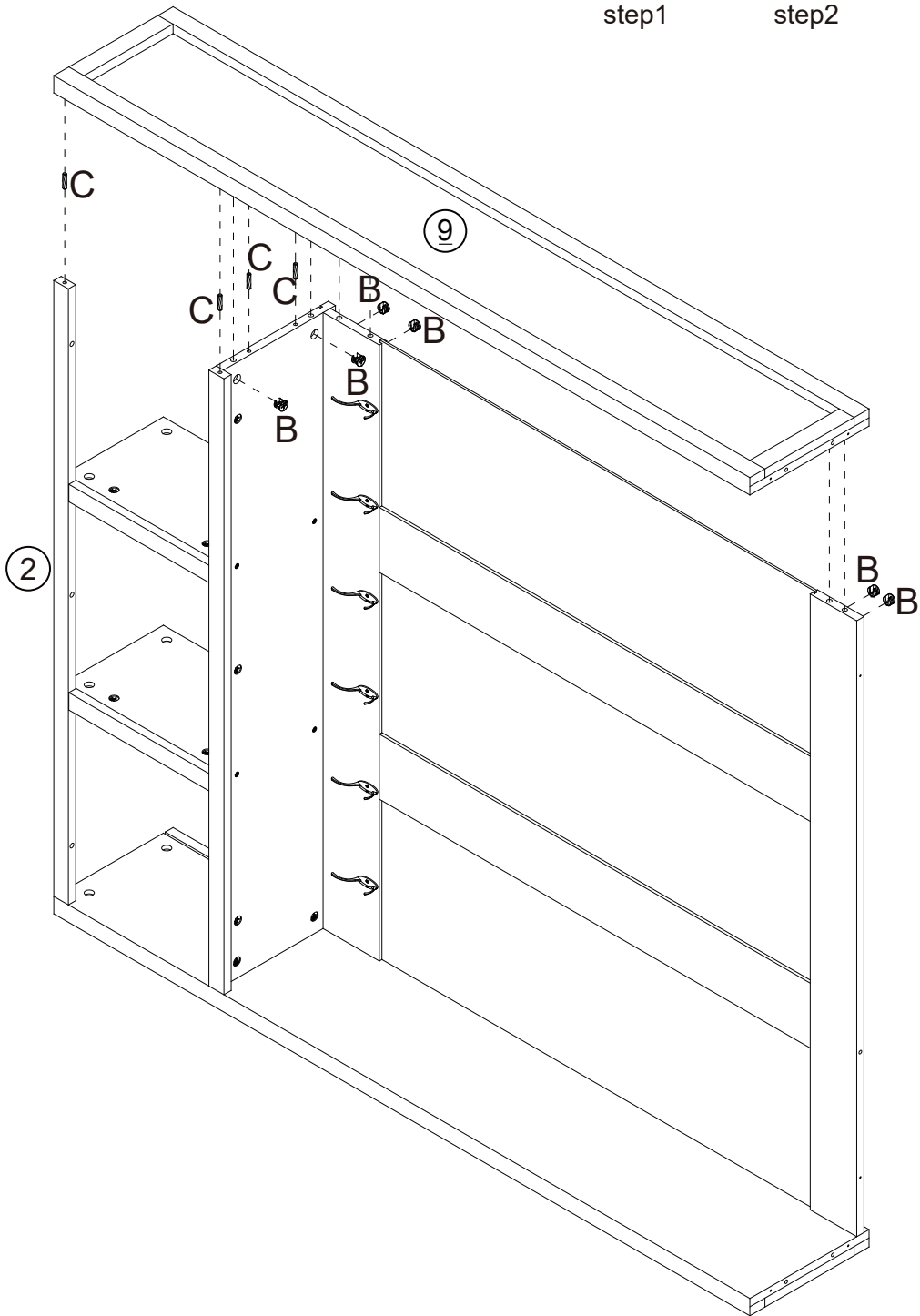
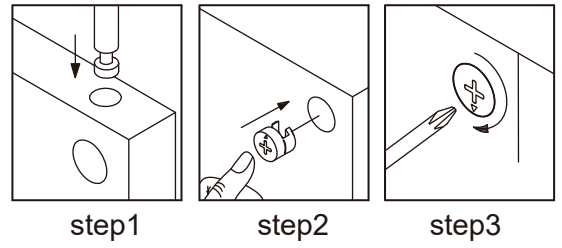
Assembly Instructions

Step 12



Assembly Instructions

Step 13

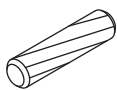


Ⓑ



Cam lock x 6

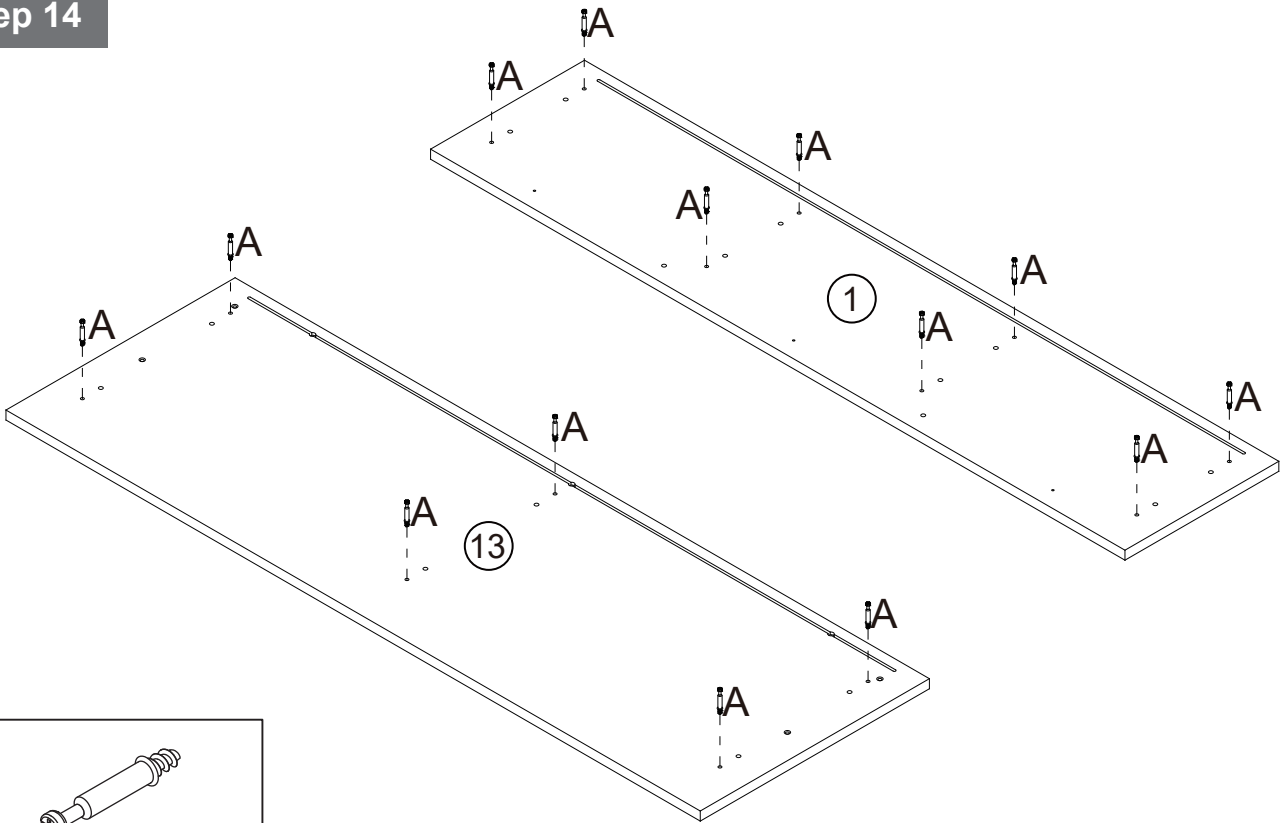
Ⓒ



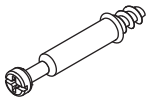
Dowel x 4

Assembly Instructions

Step 14

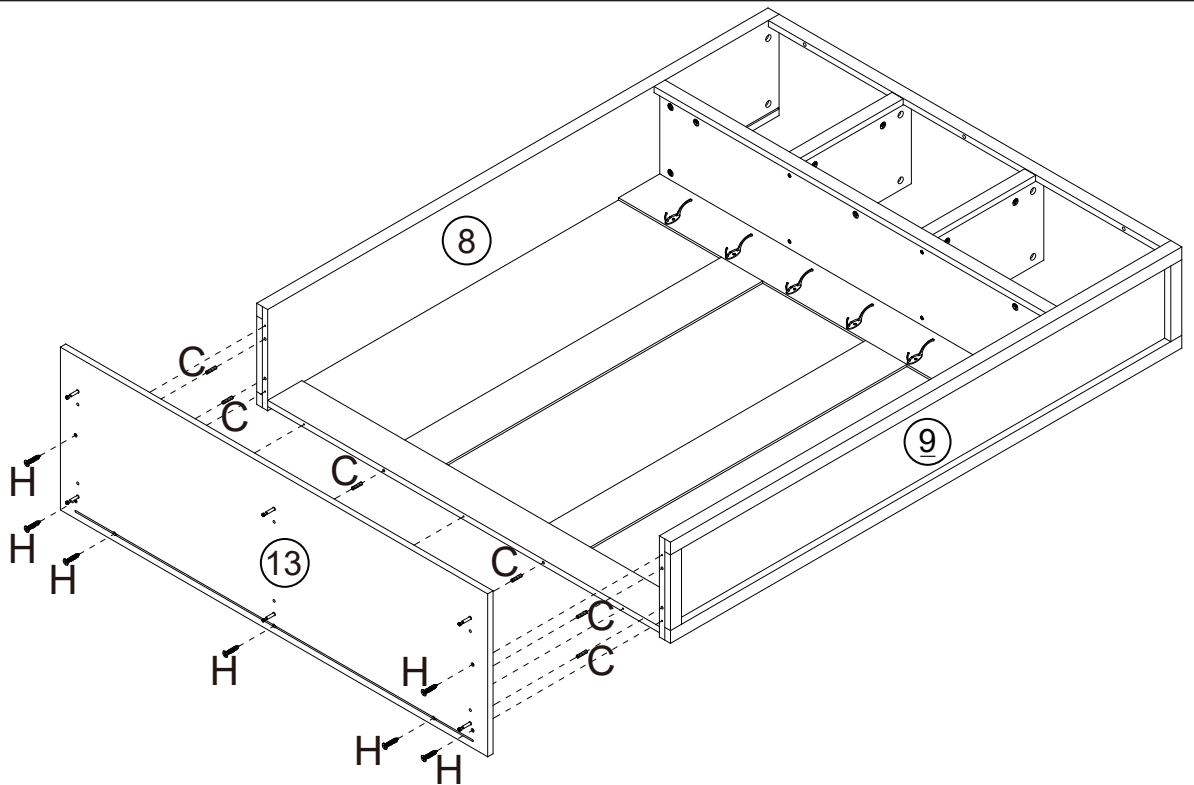


(A)

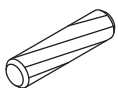


Cam Bolt x 14

Step 15

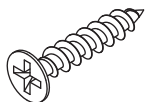


(C)



Dowel x 6

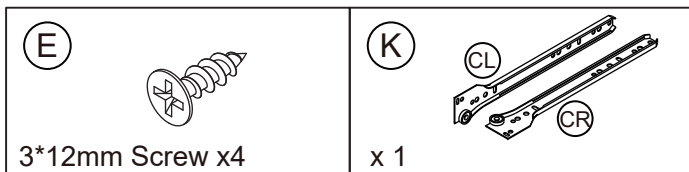
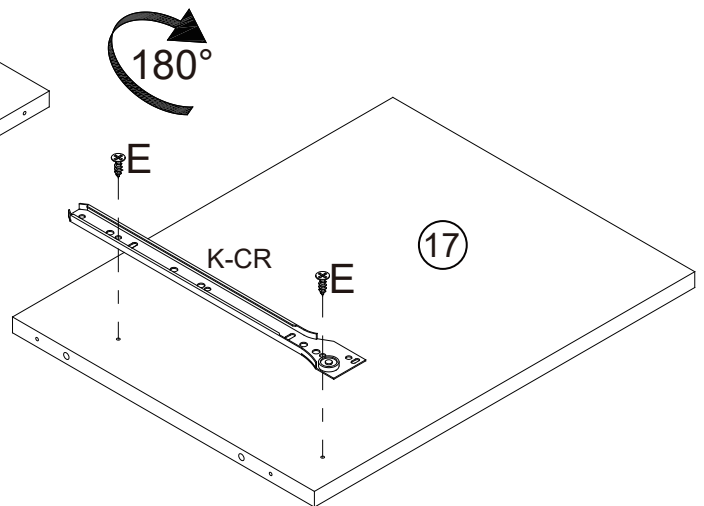
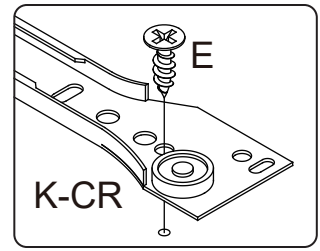
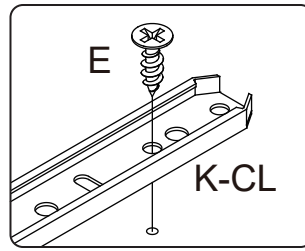
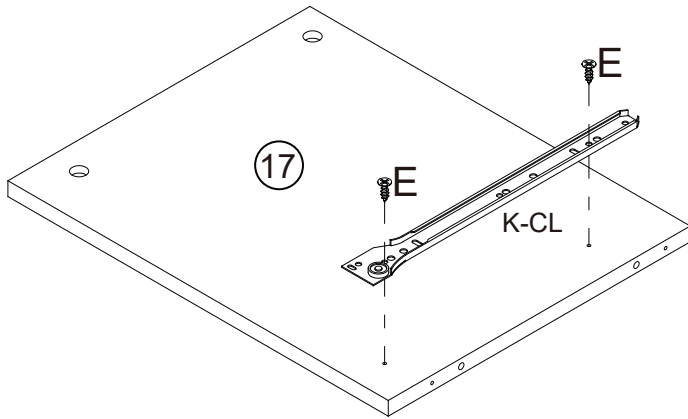
(H)



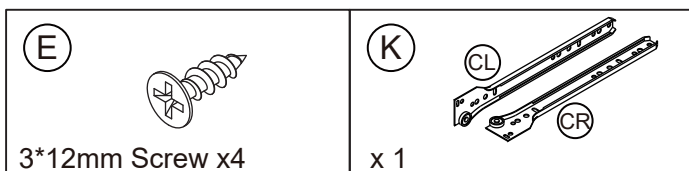
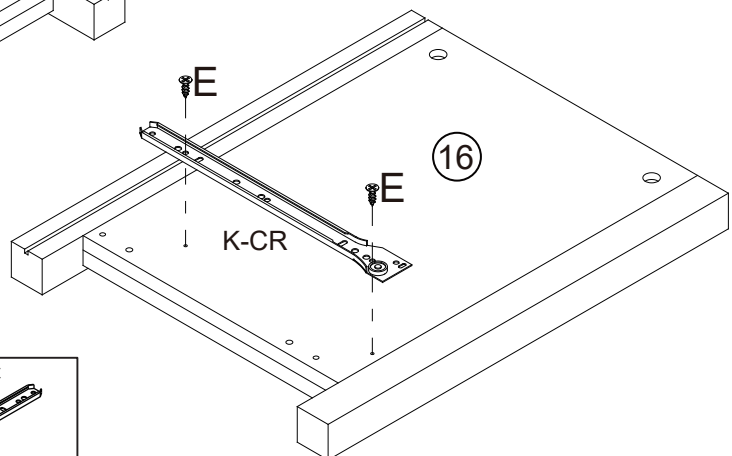
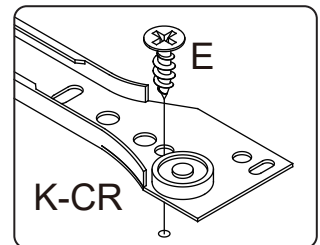
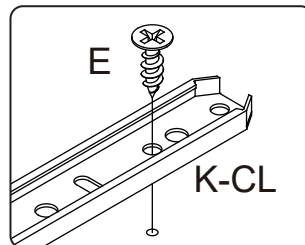
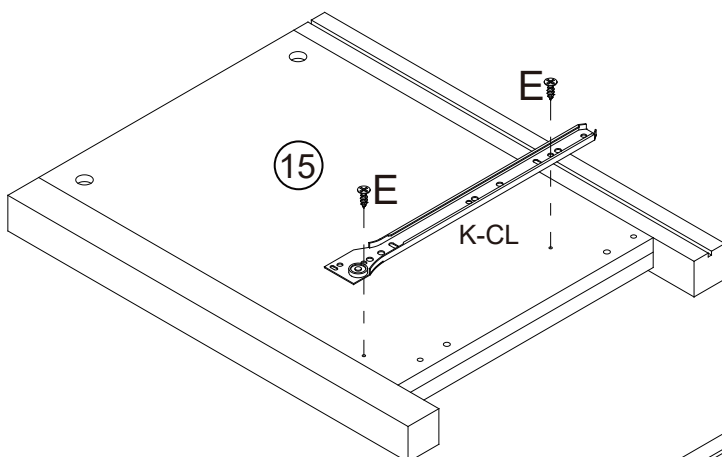
4*35mm Screw x7

Assembly Instructions

Step 16

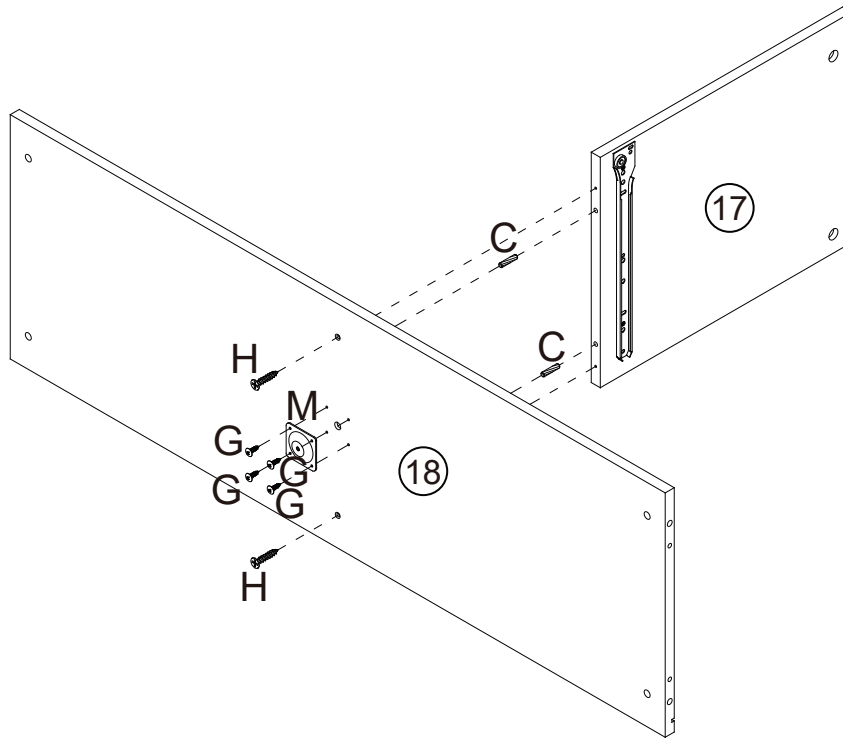


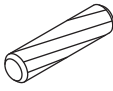
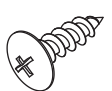

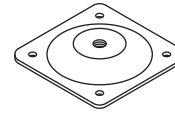
Step 17



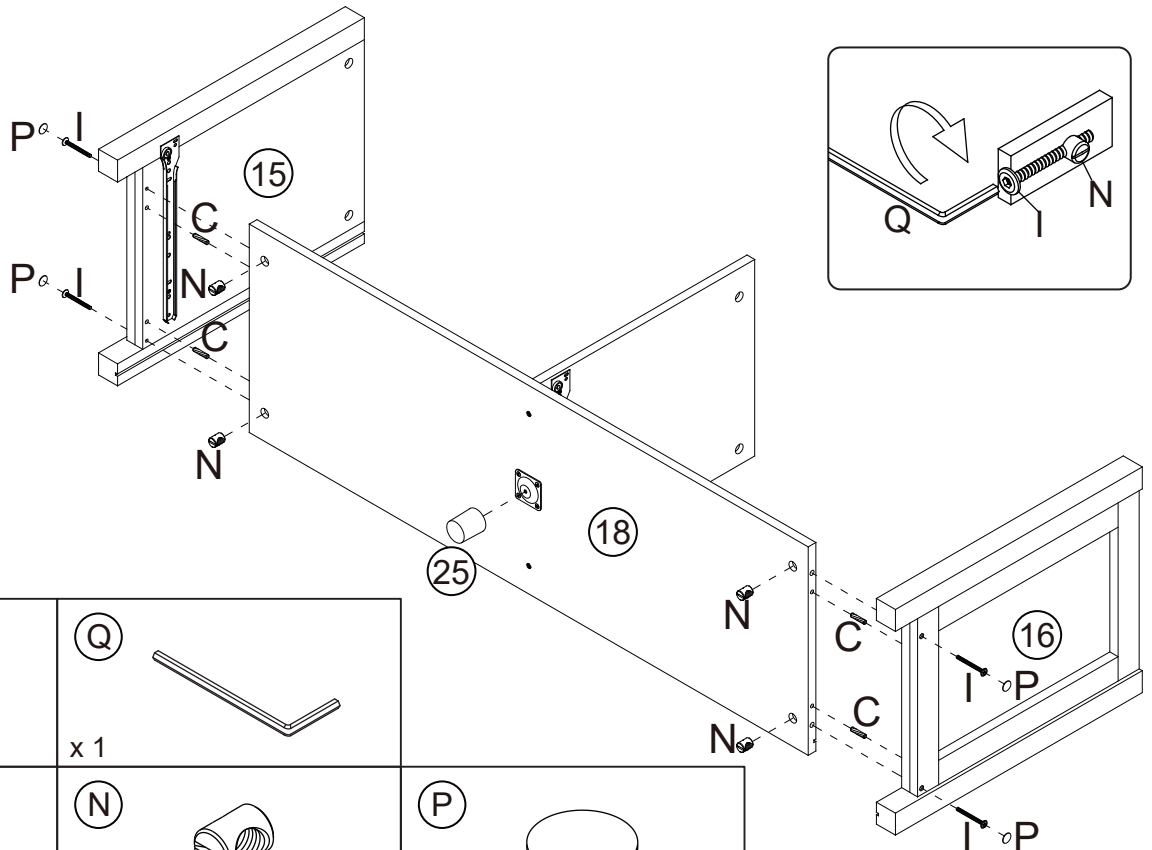
Assembly Instructions

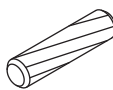

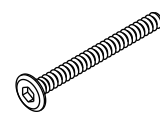
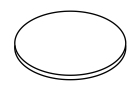
Step 18



 <p>C Dowel x 2</p>	 <p>G 4*12mm Screw x4</p>	 <p>H 4*35mm Screw x2</p>	 <p>M x 1</p>
---	---	---	---

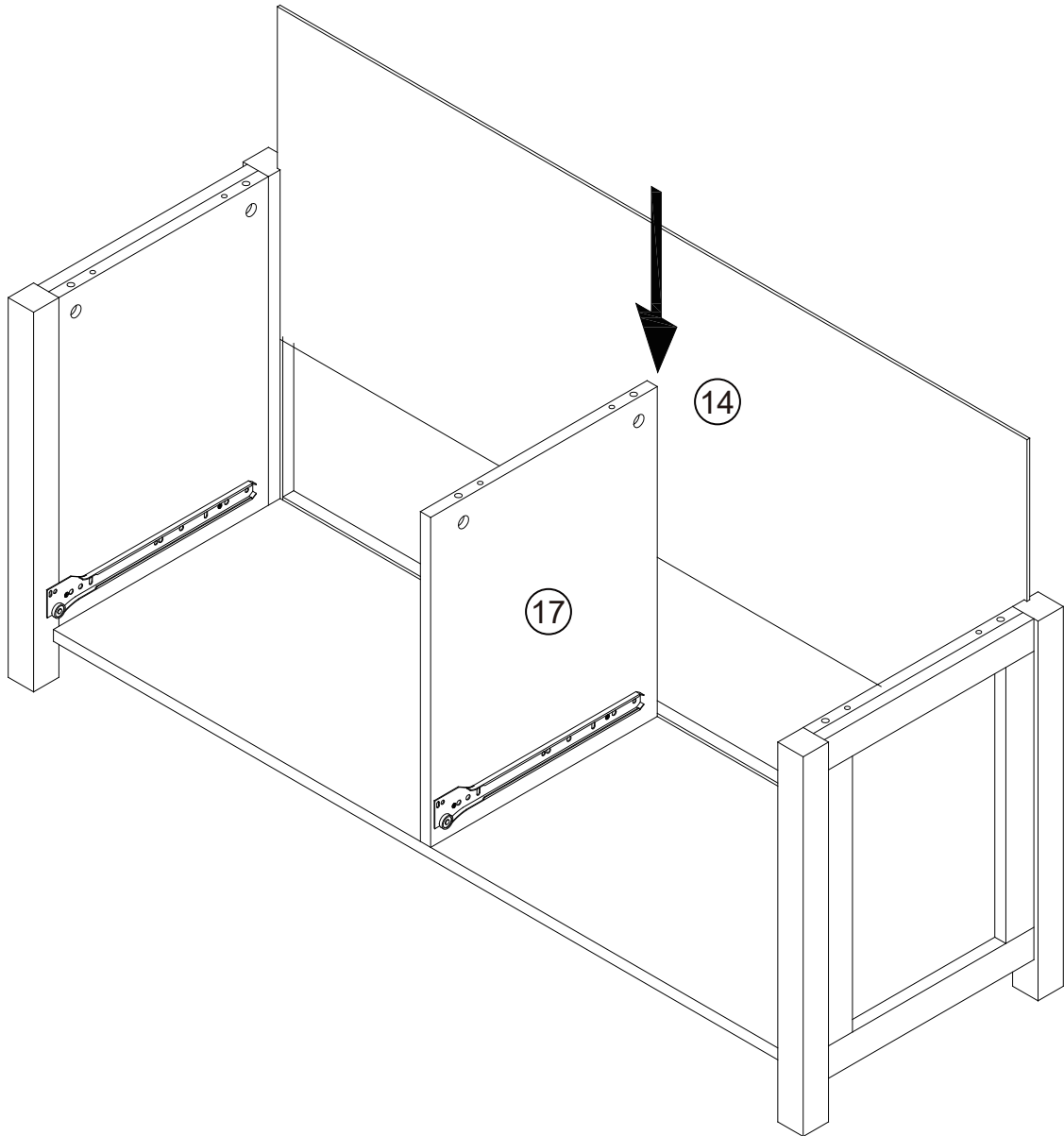
Step 19



 <p>C Dowel x 4</p>	 <p>Q x 1</p>	
 <p>I 6*55mm Screw x4</p>	 <p>N Vertical nut x 4</p>	<p>P Hole to stick x 4</p>

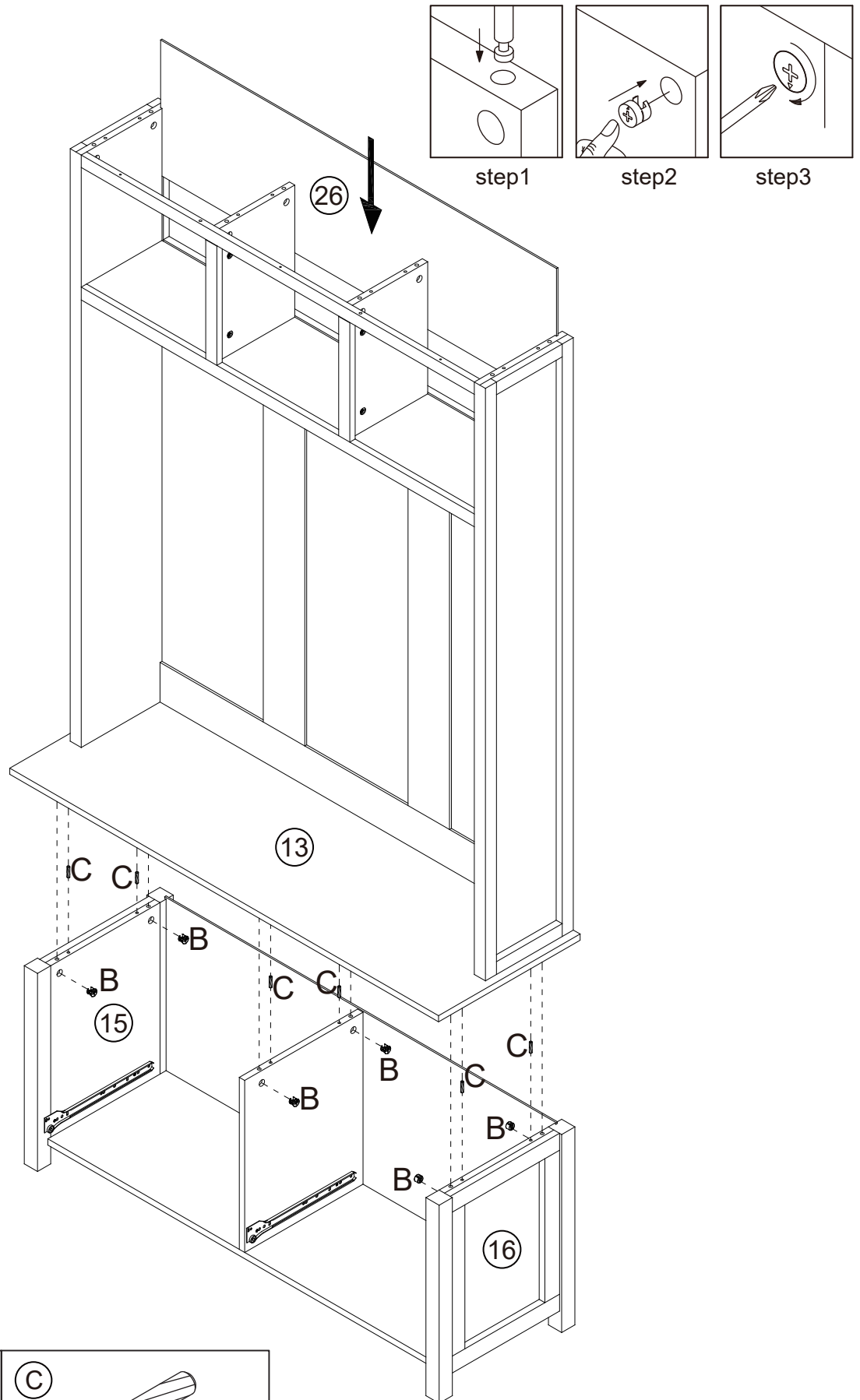
Assembly Instructions


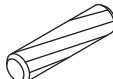
Step 20



Assembly Instructions

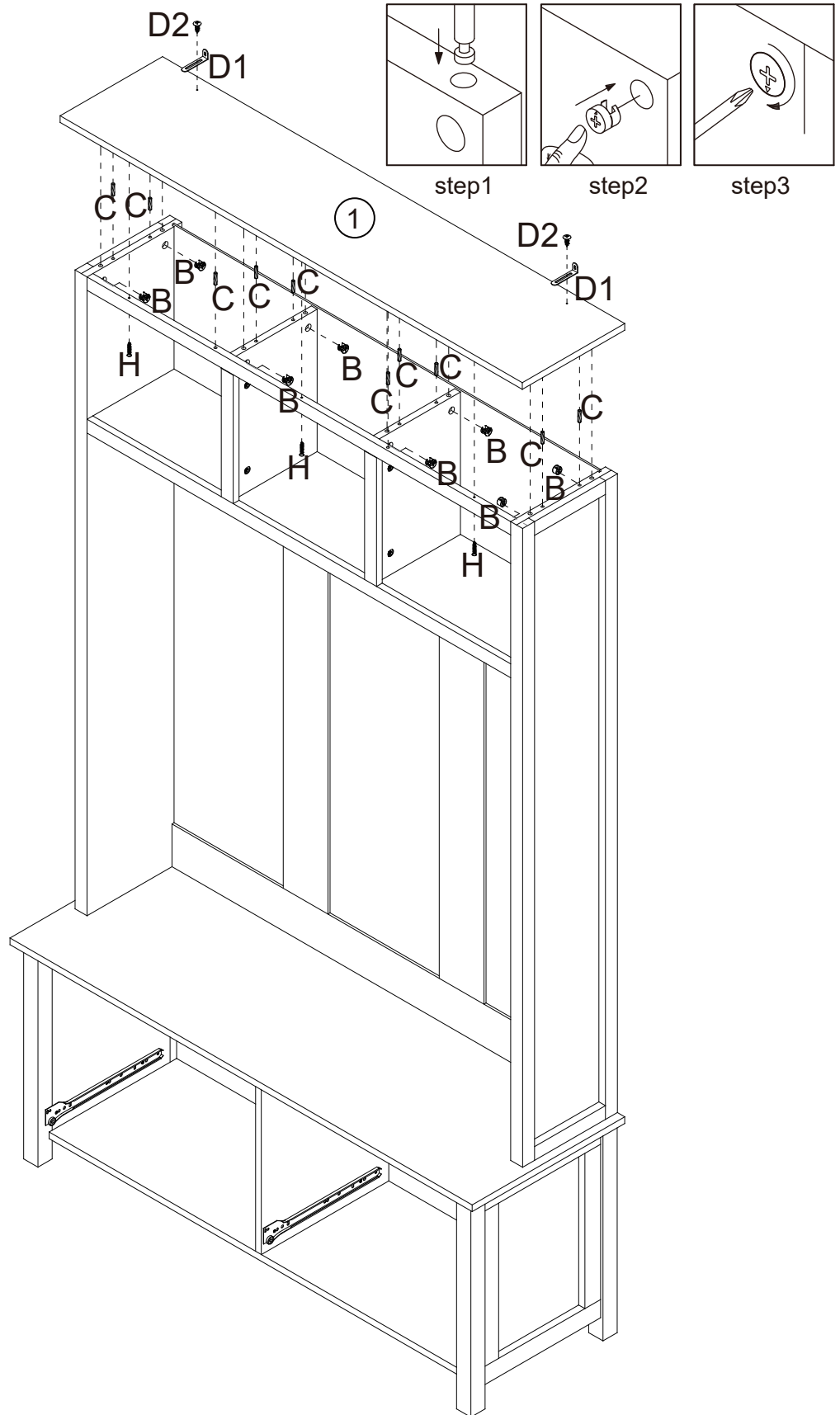
Step 21



<p>(B)</p>  <p>Cam lock x 6</p>	<p>(C)</p>  <p>Dowel x 6</p>
--	---

Assembly Instructions

Step 22

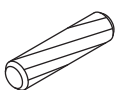


(B)



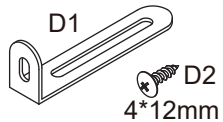
Cam lock x 8

(C)



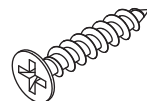
Dowel x 10

(D)



Screw x2

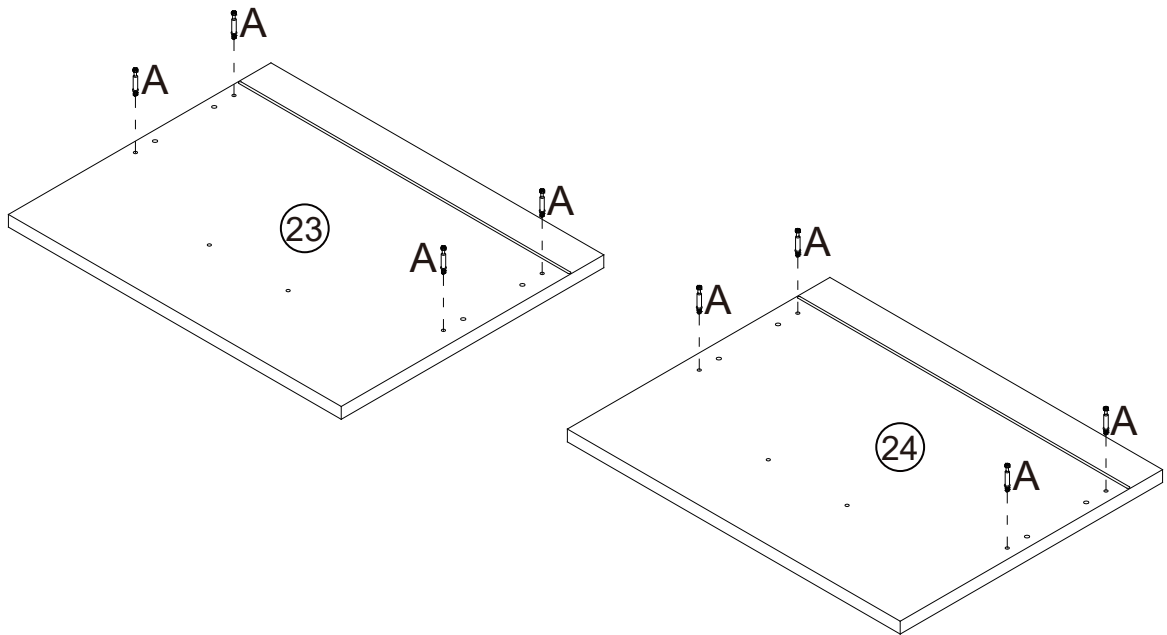
(H)



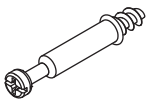
4*35mm Screw x3

Assembly Instructions

Step 23

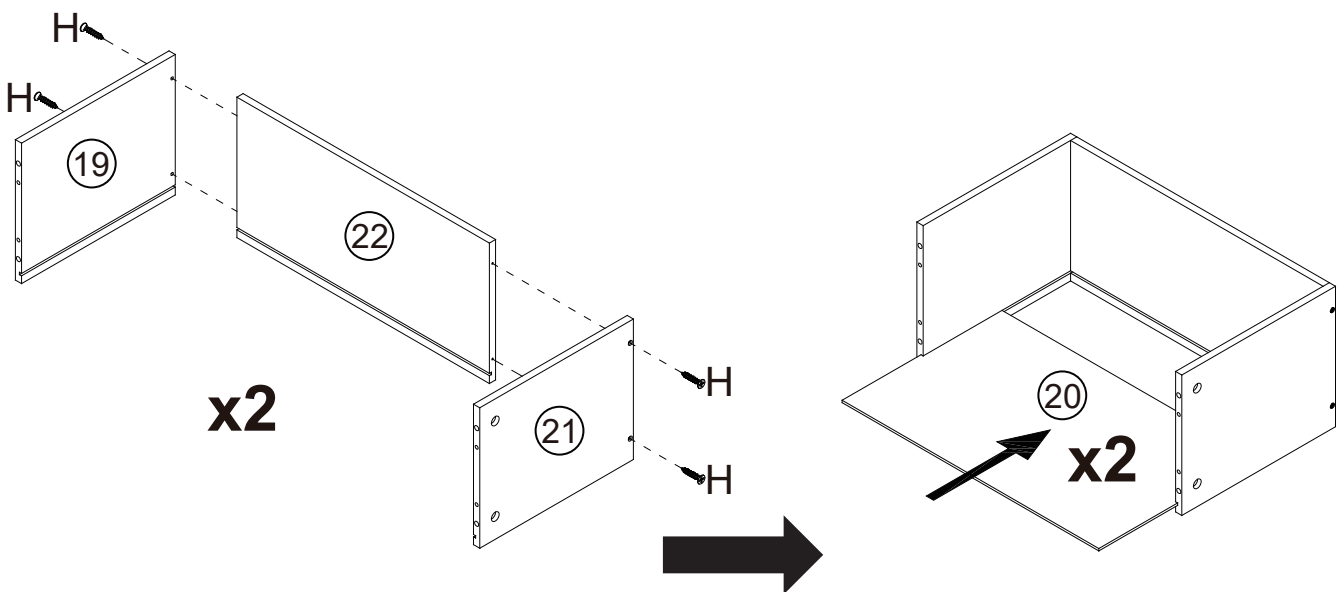


(A)

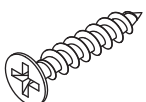


Cam Bolt x 8

Step 24



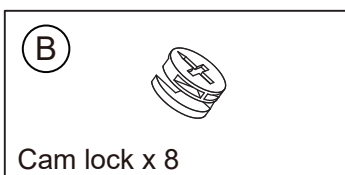
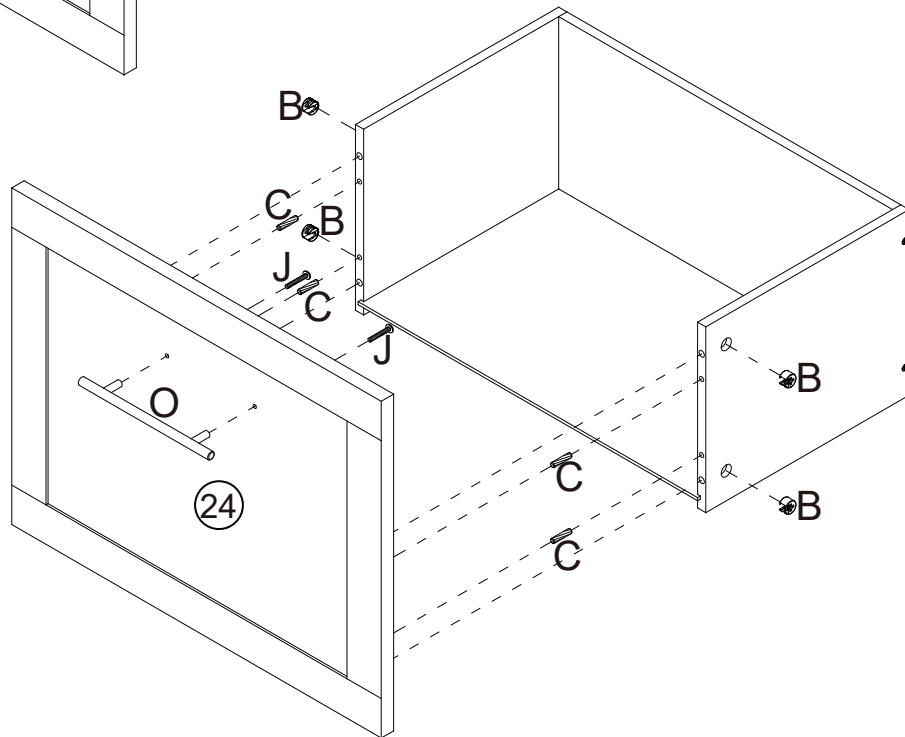
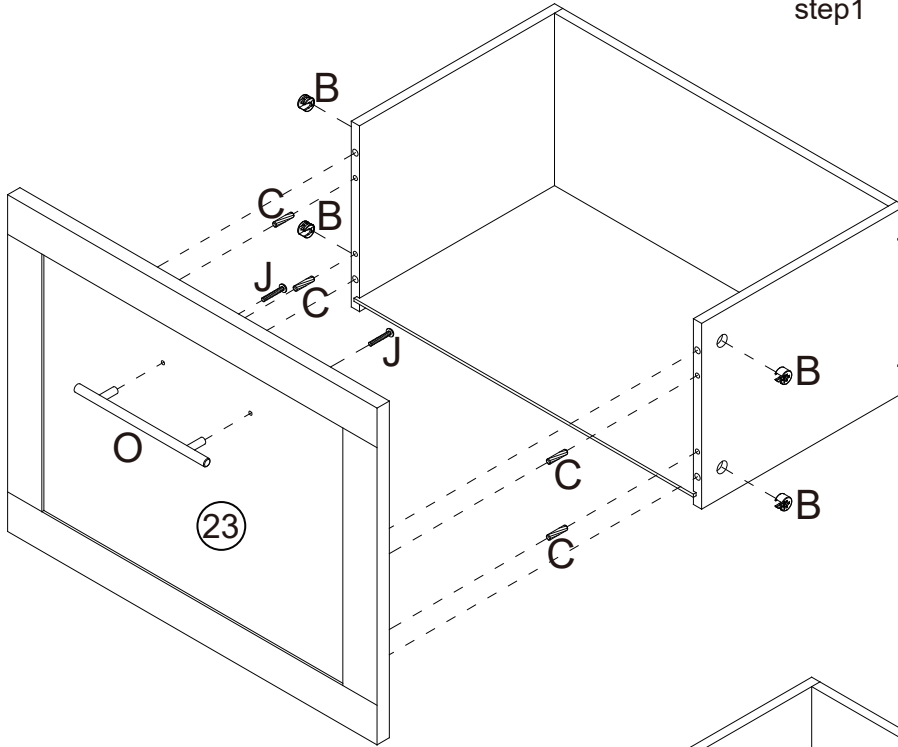
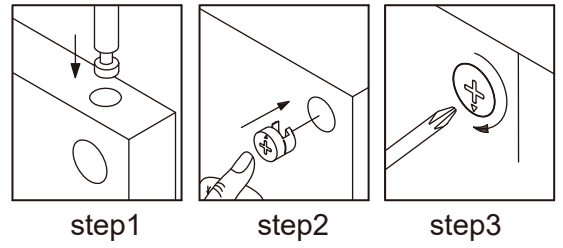
(H)



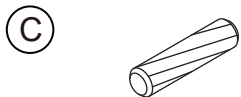
4*35mm Screw x8

Assembly Instructions

Step 25



Cam lock x 8



Dowel x 8



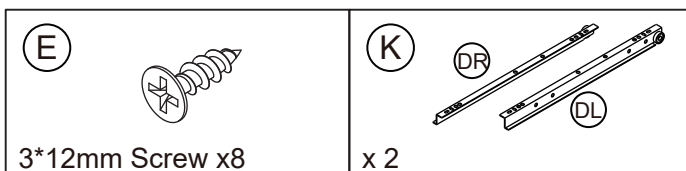
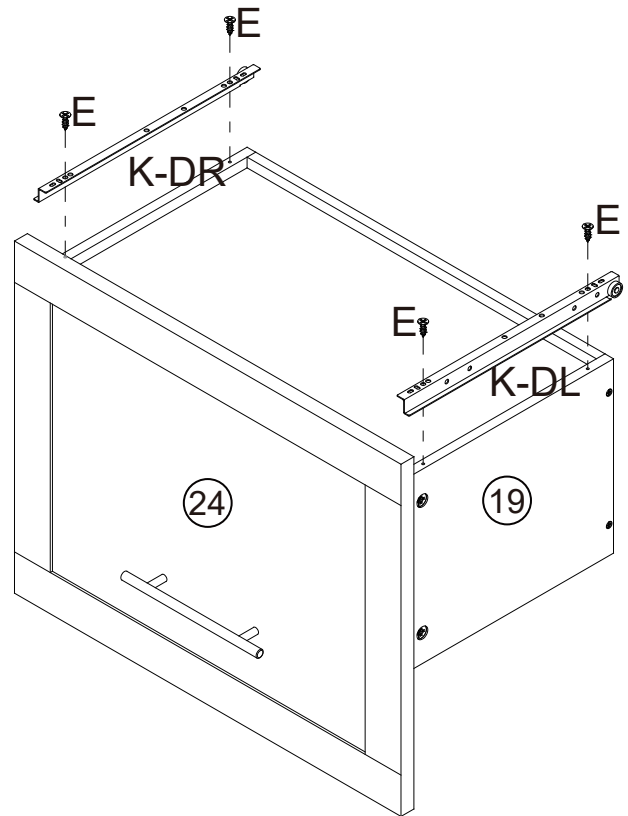
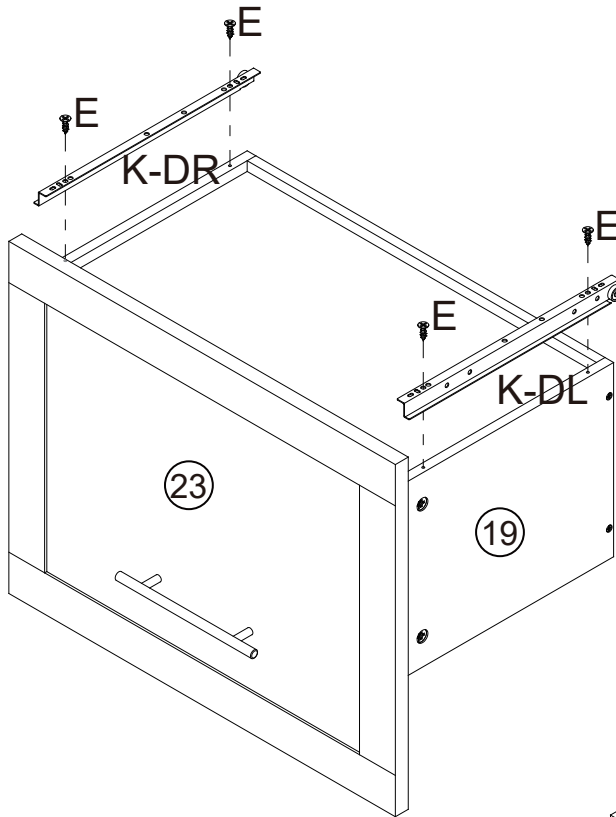
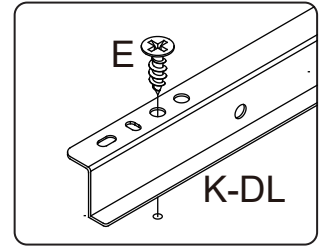
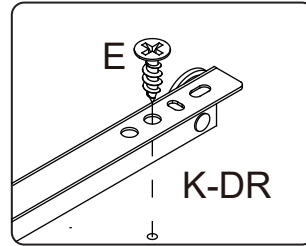
4*22mm Screw x 4



Dowel x 2

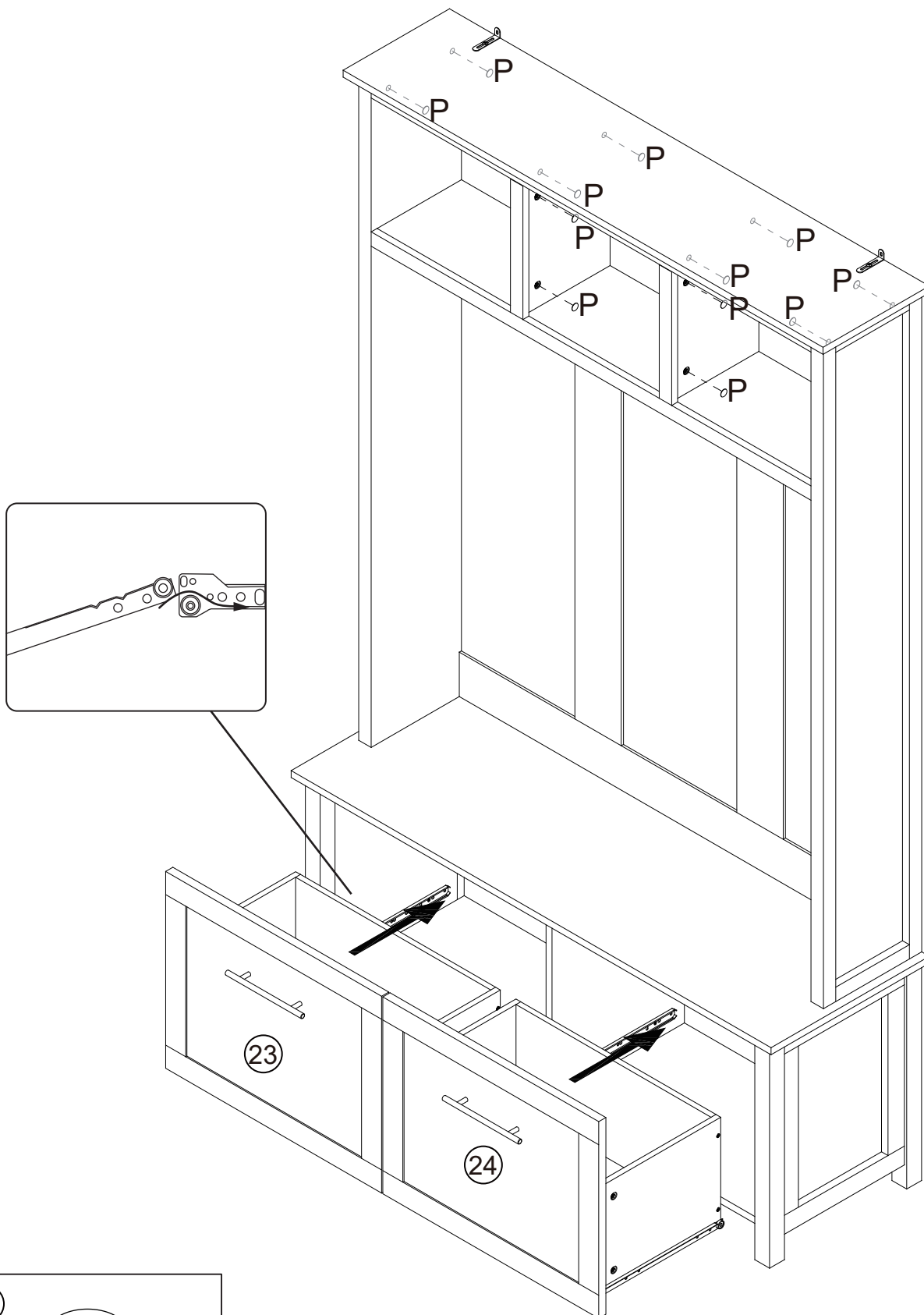
Assembly Instructions

Step 26



Assembly Instructions

Step 27



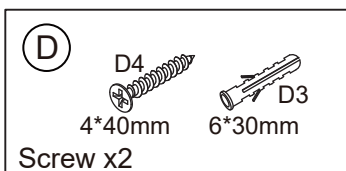
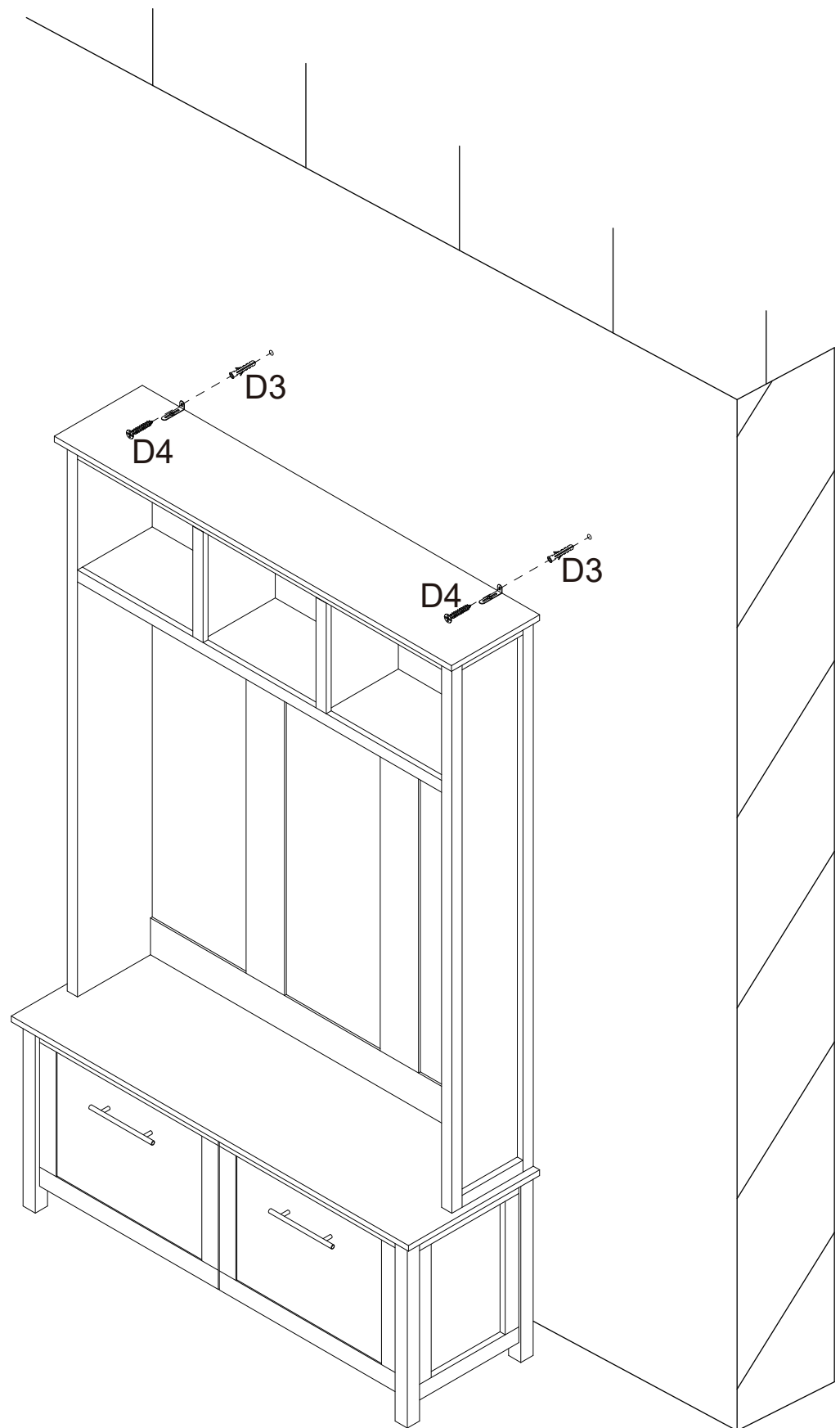
P



Hole to stick x 12

Assembly Instructions

Step 28



Assembly Instructions

